



US00D815200S

(12) **United States Design Patent**
Ishizawa et al.

(10) **Patent No.:** **US D815,200 S**
(45) **Date of Patent:** **** Apr. 10, 2018**

(54) **INK CARTRIDGE**
(71) Applicant: **SEIKO EPSON CORPORATION,**
Tokyo (JP)
(72) Inventors: **Taku Ishizawa,** Matsumoto (JP); **Shun Oya,** Nagano (JP); **Takumi Nagashima,** Matsumoto (JP); **Atsushi Kobayashi,** Matsumoto (JP)
(73) Assignee: **SEIKO EPSON CORPORATION,**
Tokyo (JP)

(**) Term: **15 Years**

(21) Appl. No.: **29/579,250**

(22) Filed: **Sep. 29, 2016**

(30) **Foreign Application Priority Data**

Jul. 15, 2016 (JP) 2016-015174

(51) **LOC (11) Cl.** **18-02**

(52) **U.S. Cl.**
USPC **D18/56**

(58) **Field of Classification Search**
USPC D14/471, 483, 484; D18/12, 18, 36, 40,
D18/43, 44, 56, 58, 99
CPC . B41J 2/17; B41J 2/1721; B41J 2/1572; B41J
2/1754; B41J 2/17503; B41J 2/17553;
B41J 2/17556; B41J 2/16547
See application file for complete search history.

(56) **References Cited**

U.S. PATENT DOCUMENTS

D359,303 S * 6/1995 Gray D18/12
D372,266 S * 7/1996 Tokuda D18/56

6,435,662 B2 * 8/2002 Kline B41J 2/175
347/49
6,832,823 B1 * 12/2004 Askeland B41J 2/17513
347/12
D529,084 S * 9/2006 Myers D18/56
D695,823 S * 12/2013 Nozawa D18/56
D783,090 S * 4/2017 Okazaki D18/56
2011/0279585 A1 * 11/2011 Mallory B41J 2/175
347/85
2017/0142826 A1 * 5/2017 Takahashi B41J 2/01
2017/0151793 A1 * 6/2017 Oya B41J 2/1752
2017/0151800 A1 * 6/2017 Nagashima B41J 2/17509
2017/0151802 A1 * 6/2017 Toba B41J 2/17553

* cited by examiner

Primary Examiner — Garth Rademaker
Assistant Examiner — Richard Kearney

(57) **CLAIM**

The ornamental design for an ink cartridge, as shown and described.

DESCRIPTION

FIG. 1 is a front, bottom and right side perspective view of an ink cartridge showing our new design;
FIG. 2 is a rear, bottom and left side perspective view thereof;
FIG. 3 is a rear, top and left side perspective view thereof;
FIG. 4 is a front view thereof;
FIG. 5 is a rear view thereof;
FIG. 6 is a top plan view thereof;
FIG. 7 is a bottom plan view thereof;
FIG. 8 is a right side view thereof; and,
FIG. 9 is a left side view thereof.
The broken lines shown in the drawings illustrate portions of the ink cartridge that form no part of the claimed design.

1 Claim, 9 Drawing Sheets

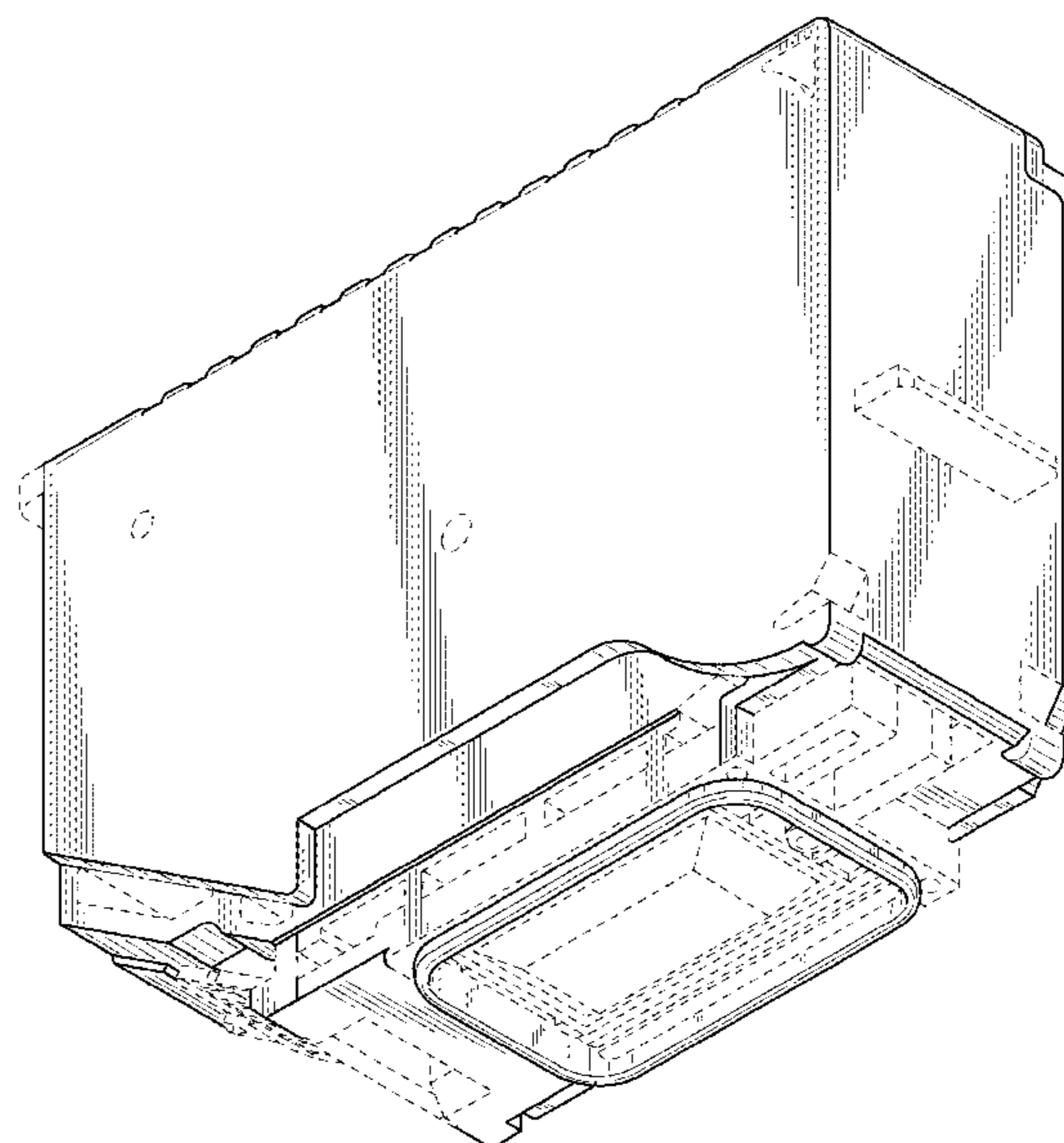
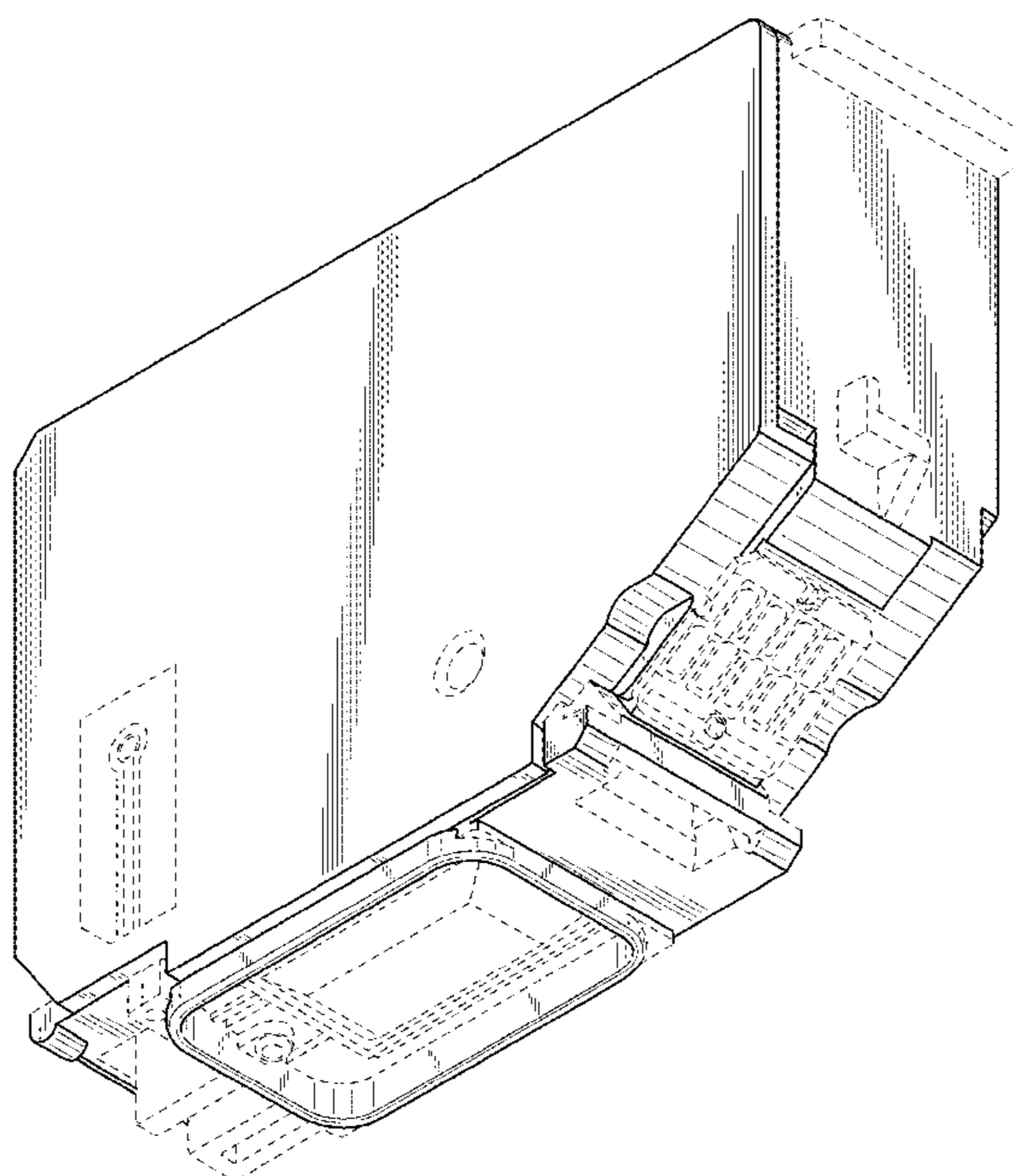


FIG. 1

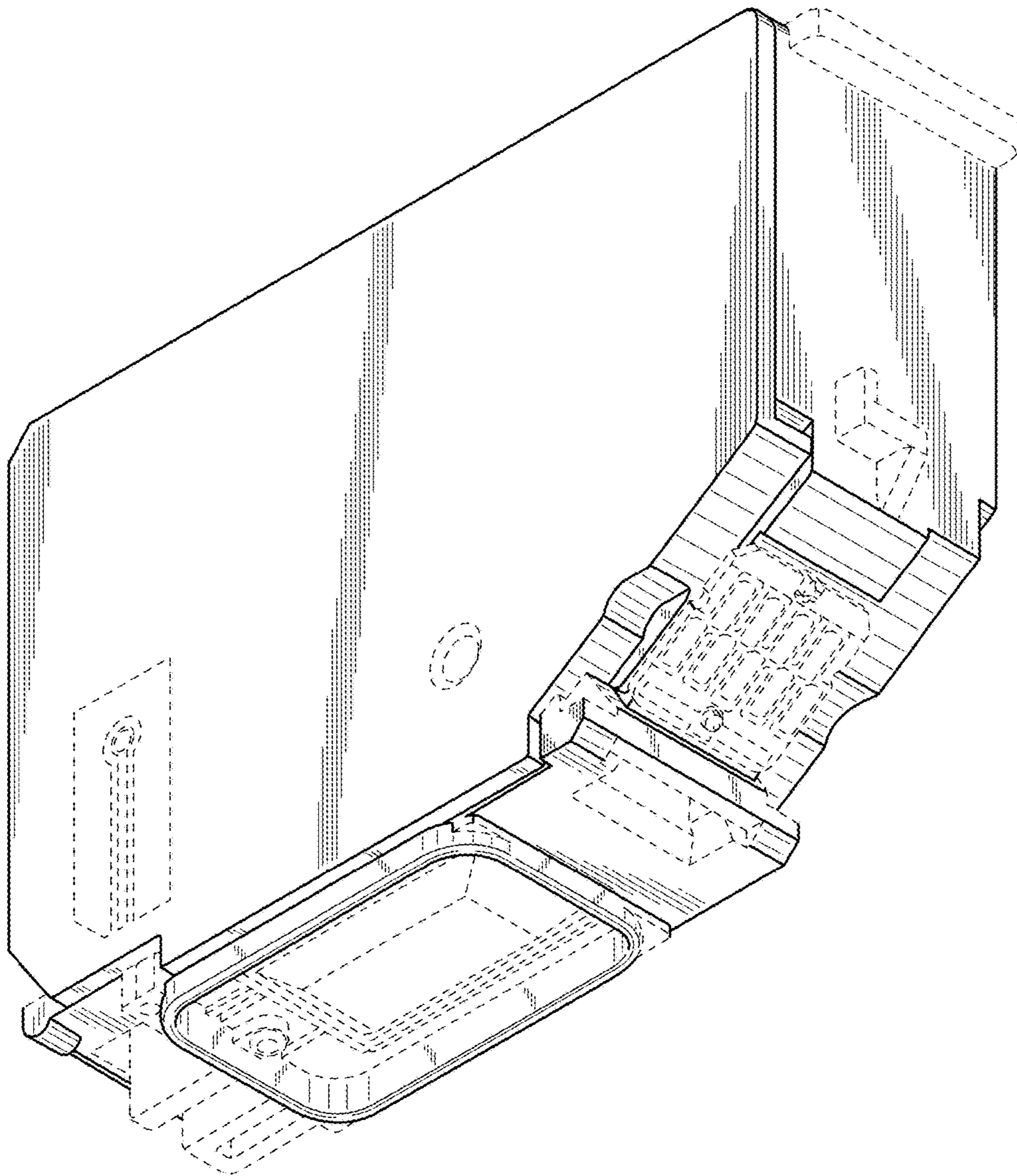


FIG. 2

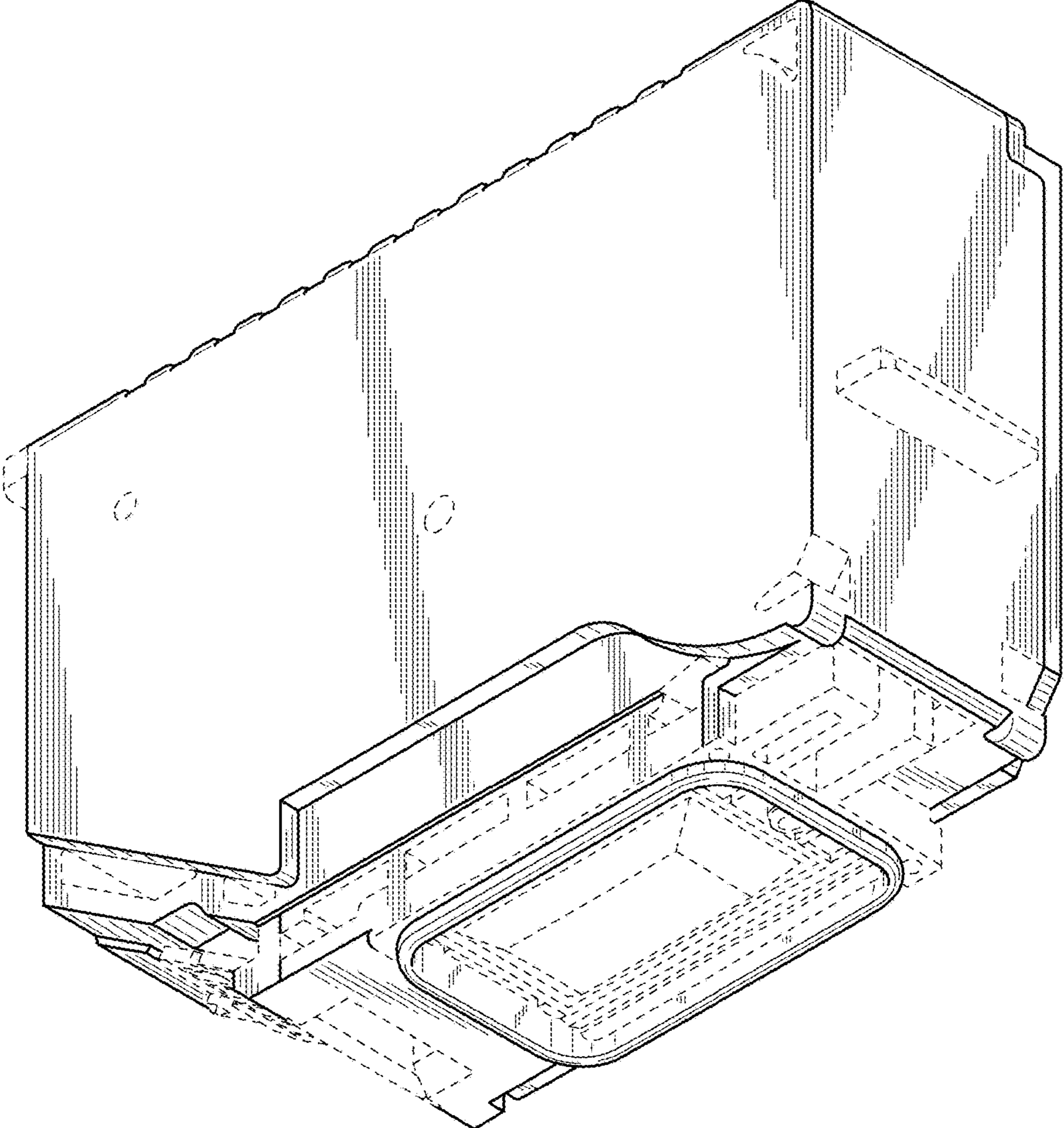


FIG. 3

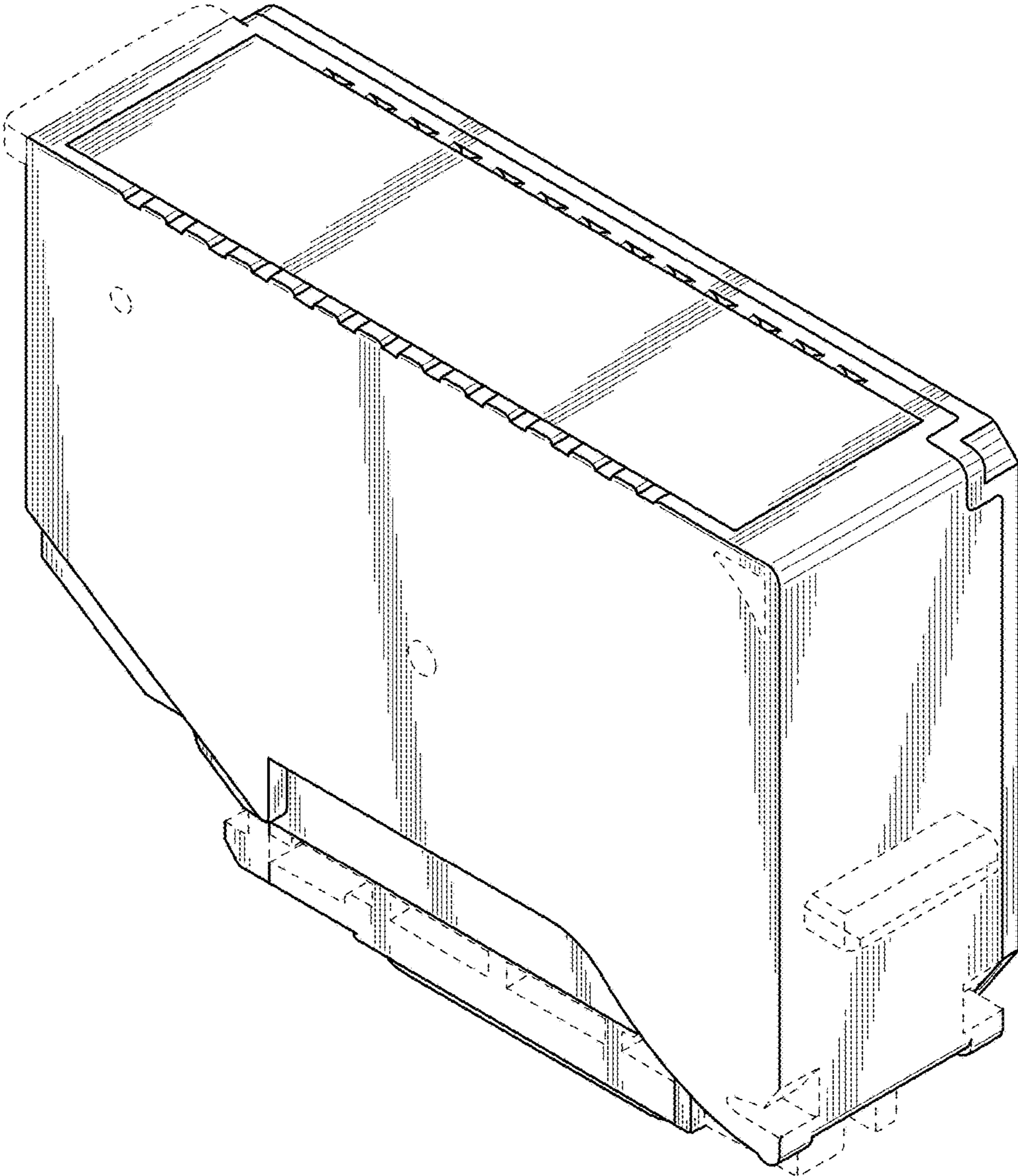


FIG. 4

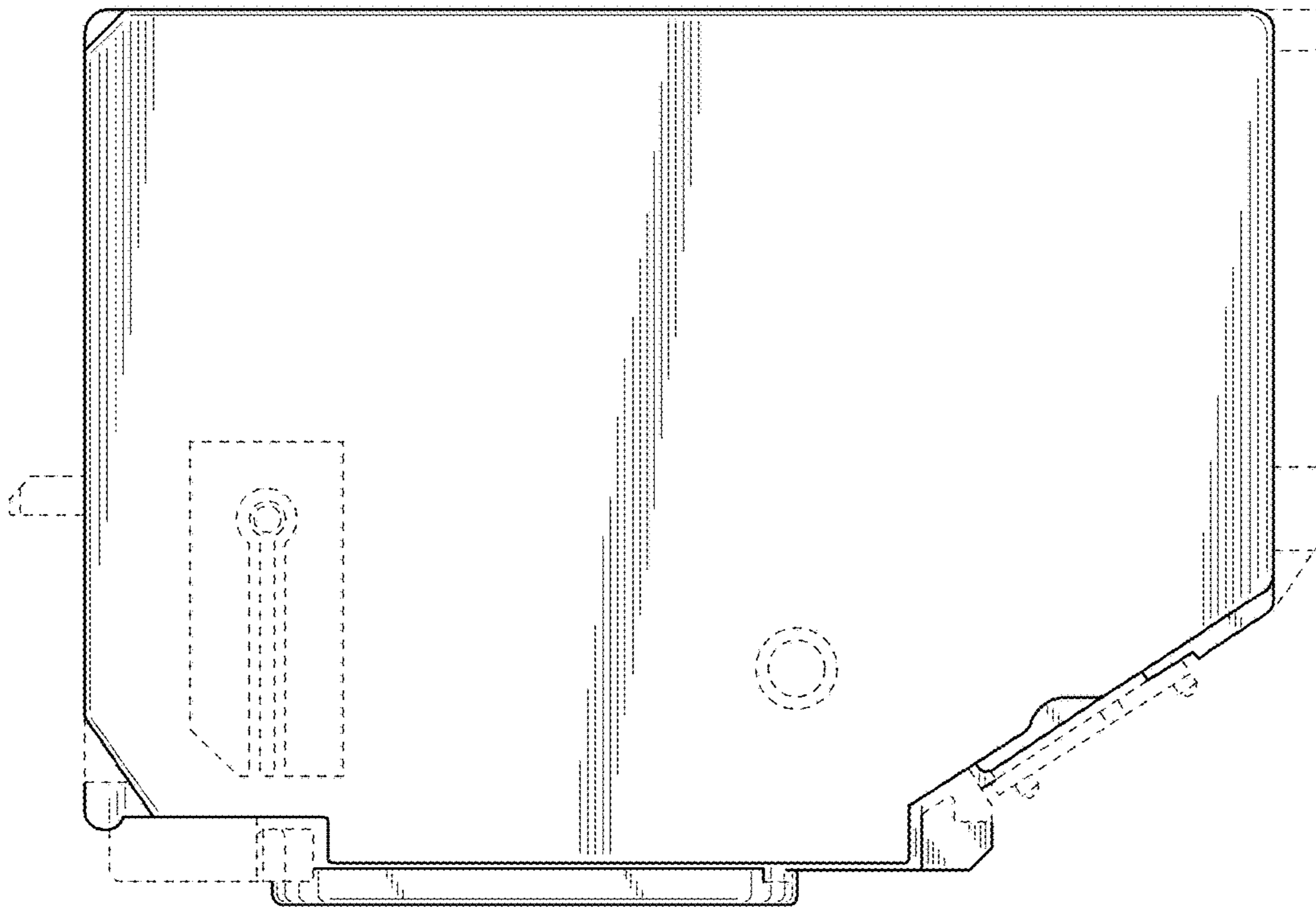


FIG. 5

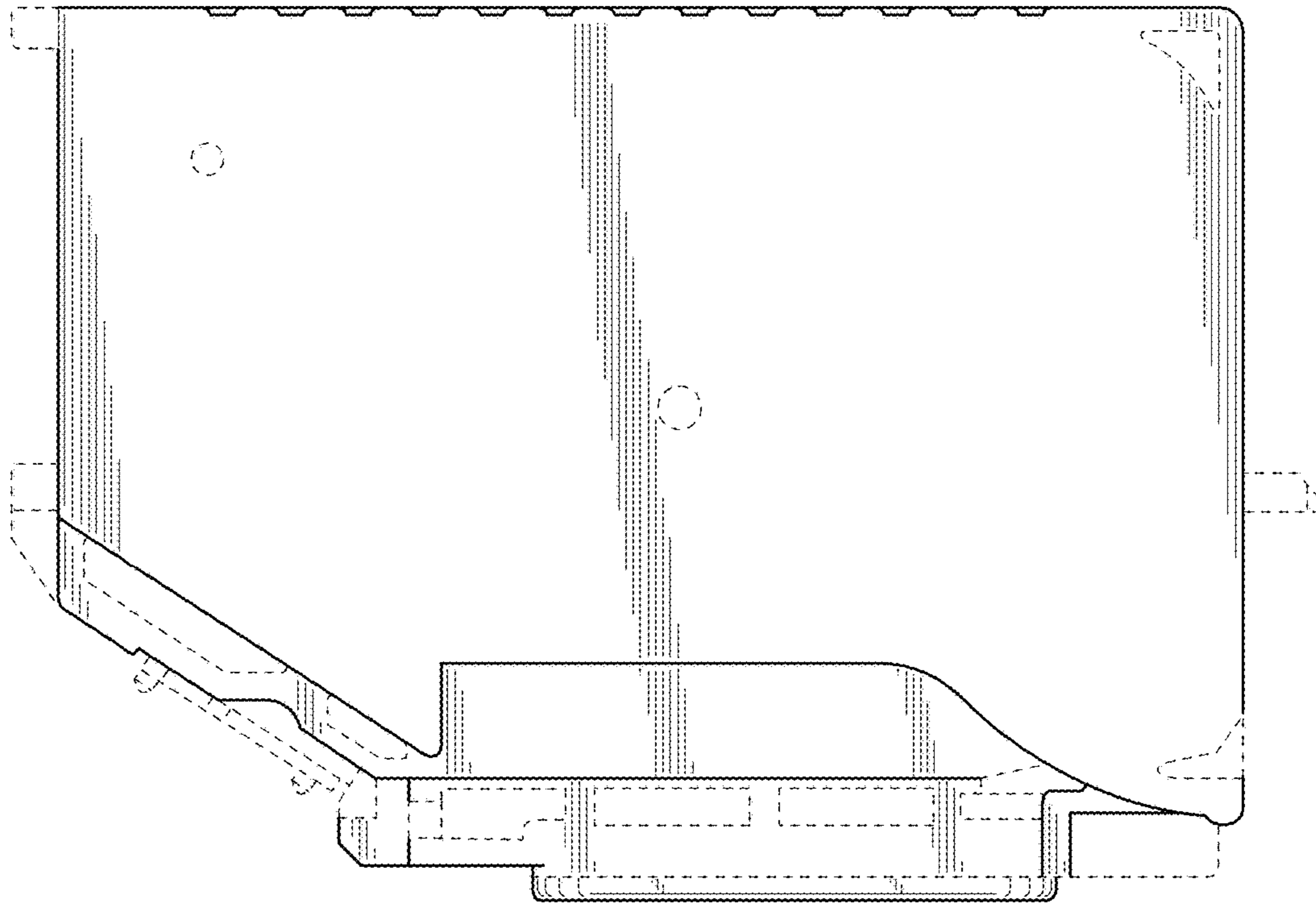


FIG. 6

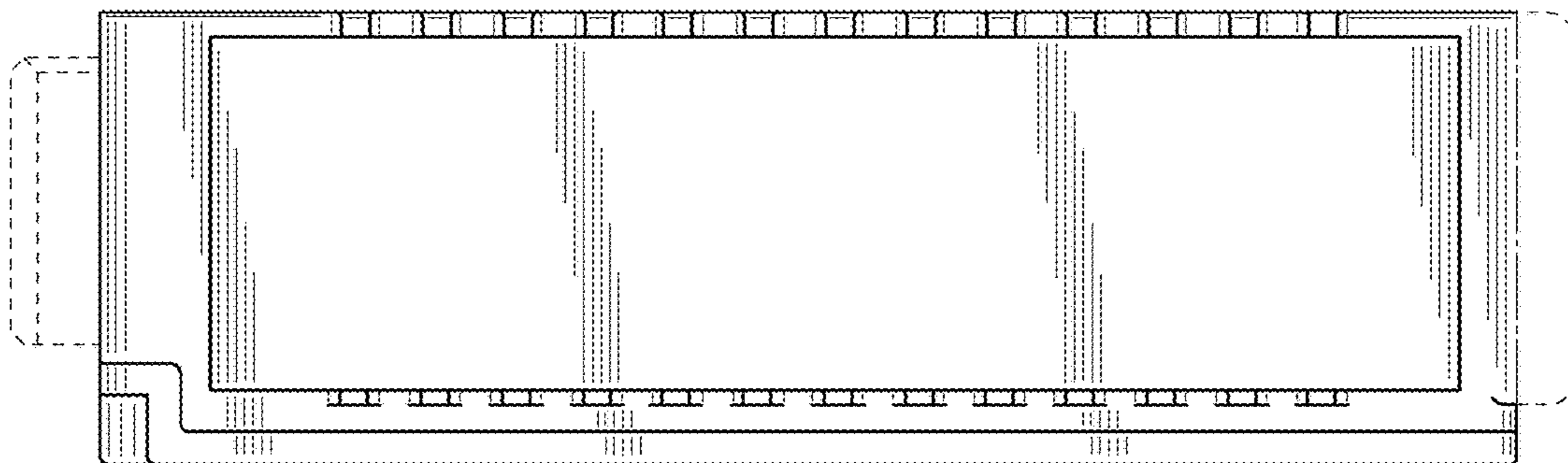


FIG. 7

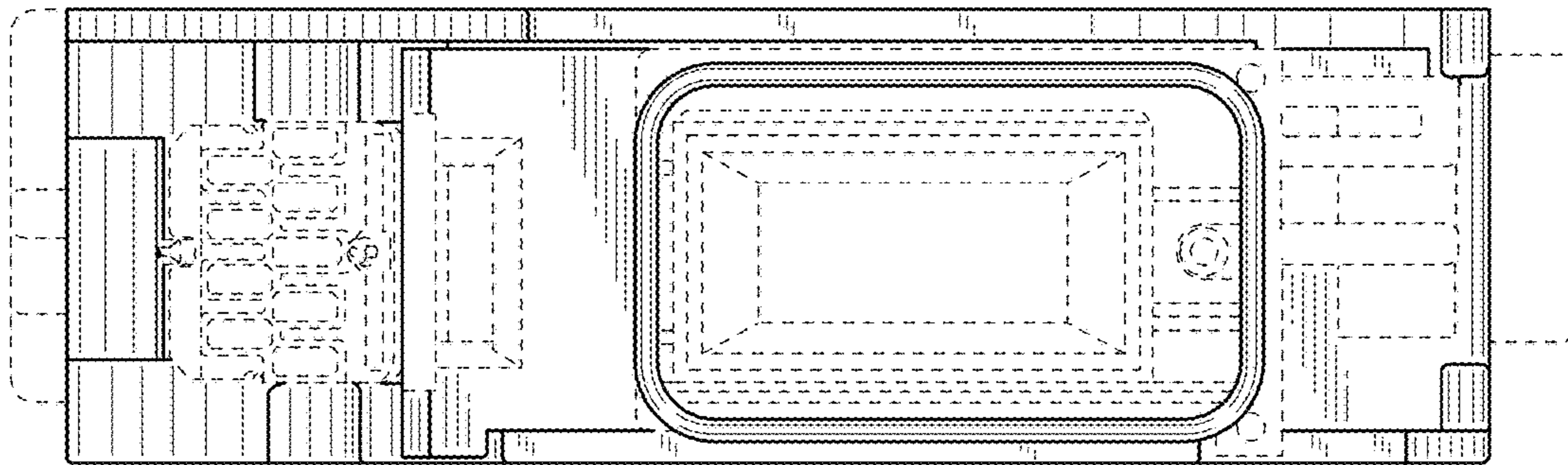


FIG. 8

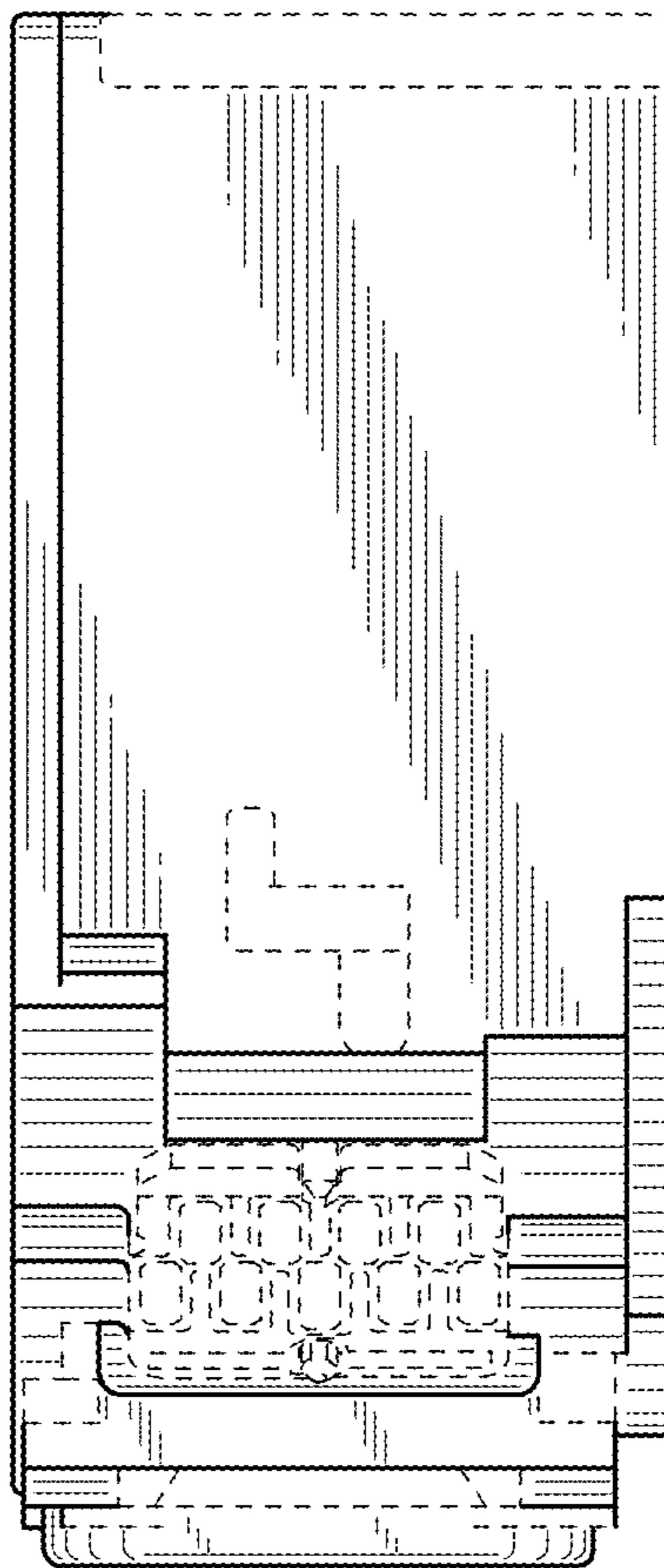


FIG. 9

