



US00D815197S

(12) **United States Design Patent**
Kim et al.

(10) **Patent No.:** **US D815,197 S**
(45) **Date of Patent:** **** Apr. 10, 2018**

- (54) **MULTI-FUNCTION PRINTER**
- (71) Applicant: **S-Printing Solution Co., Ltd.**,
Suwon-si, Gyeonggi-do (KR)
- (72) Inventors: **Jong-Kyu Kim**, Gyeonggi-do (KR);
Hakyung Kim, Seoul (KR);
Seungwook Jeong, Seoul (KR)
- (73) Assignee: **S-PRINTING SOLUTION CO., LTD.**,
Suwon-si (KR)

| | | | | |
|--------------|---------|----------|-------|---------|
| D567,848 S * | 4/2008 | Kawamura | | D18/39 |
| D581,976 S * | 12/2008 | Park | | D18/55 |
| D584,349 S * | 1/2009 | Tani | | D18/55 |
| D584,766 S * | 1/2009 | Tani | | D18/55 |
| D586,385 S * | 2/2009 | Kim | | D18/55 |
| D616,927 S * | 6/2010 | Suzuki | | D18/55 |
| D639,851 S * | 6/2011 | Penke | | D18/55 |
| D641,778 S * | 7/2011 | Lee | | D14/421 |
| D662,974 S * | 7/2012 | Suzuki | | D18/55 |
| D667,488 S * | 9/2012 | Inoue | | D18/55 |

(Continued)

- (**) Term: **15 Years**
- (21) Appl. No.: **29/571,623**
- (22) Filed: **Jul. 20, 2016**

FOREIGN PATENT DOCUMENTS

| | | |
|----|----------------|---------|
| EM | 001200331-0002 | 6/2011 |
| JP | 3020100043225 | 11/2011 |

Primary Examiner — Robin V Webster
Assistant Examiner — James C Thorn, Sr.
 (74) *Attorney, Agent, or Firm* — Cantor Colburn LLP

- (30) **Foreign Application Priority Data**
Feb. 12, 2016 (KR) 30-2016-0006425
- (51) **LOC (11) Cl.** **18-02**
- (52) **U.S. Cl.**
USPC **D18/50; D18/55**
- (58) **Field of Classification Search**
USPC D18/50, 55, 36-37, 39; D14/520-525;
347/3
CPC G06K 15/12; G06K 15/14; B41J 15/12;
B41J 15/042; B41J 11/58
See application file for complete search history.

(57) **CLAIM**

We claim the ornamental design for a multi-function printer, as shown and described.

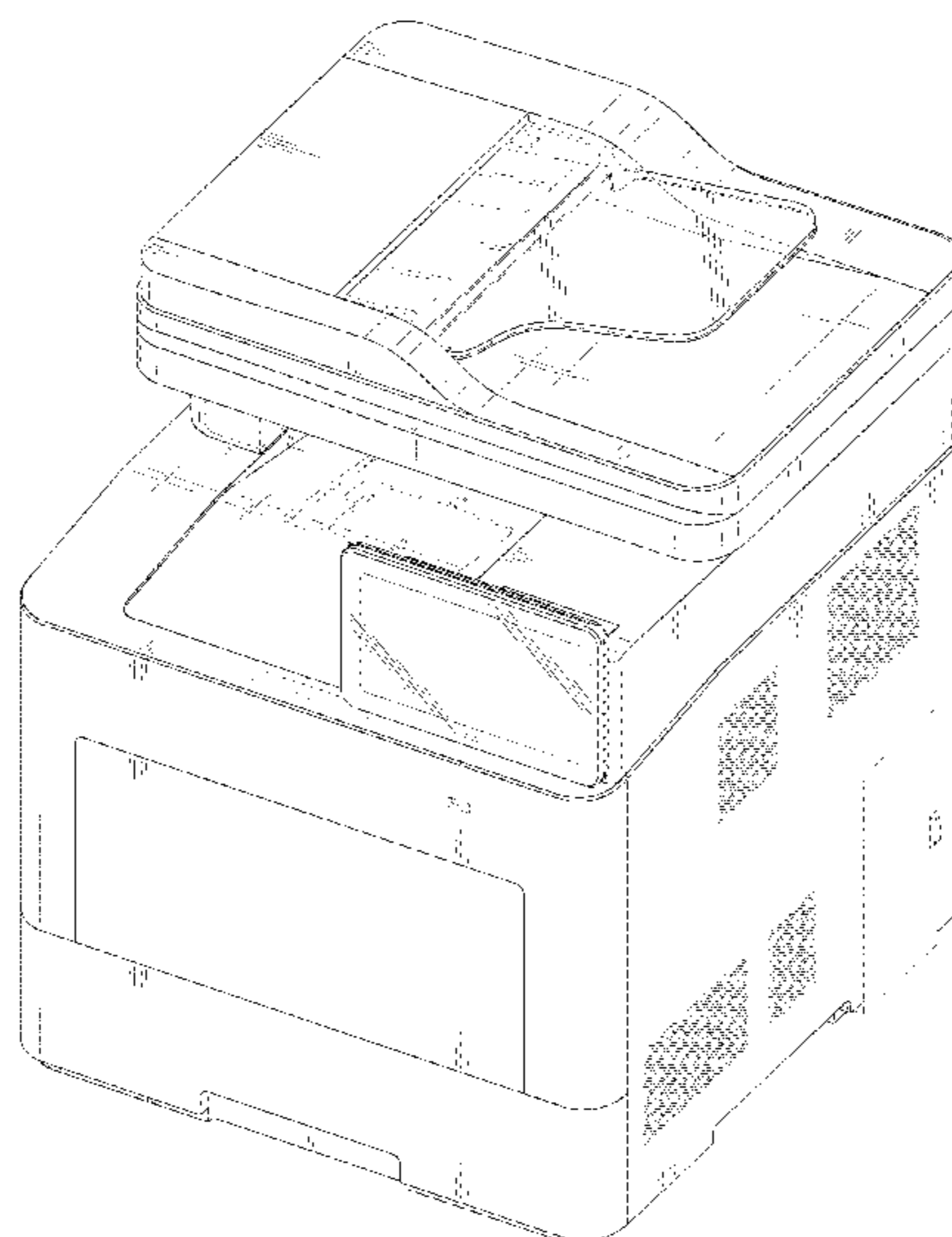
DESCRIPTION

FIG. 1 is the front perspective view of a multi-function printer showing our new design;
 FIG. 2 is the front view thereof;
 FIG. 3 is the rear view thereof;
 FIG. 4 is the left-side view thereof;
 FIG. 5 is the right-side view thereof;
 FIG. 6 is the top view thereof;
 FIG. 7 is the bottom view thereof;
 FIG. 8 is the front and left-side perspective view thereof;
 FIG. 9 is the rear and right-side perspective view thereof;
 FIG. 10 is the bottom perspective view thereof;
 FIG. 11 is the front and right-side view thereof; and,
 FIG. 12 is the front and left-side view thereof.
 The broken lines depict portions of a multi-function printer that form no part of the claimed design.

(56) **References Cited**
U.S. PATENT DOCUMENTS

| | | | | |
|--------------|---------|---------------|-------|--------|
| D423,040 S * | 4/2000 | Ohta | | D18/36 |
| D494,211 S * | 8/2004 | Yoshida | | D18/39 |
| D523,068 S * | 6/2006 | Hoshiya | | D18/36 |
| D544,532 S * | 6/2007 | Matsumoto | | D18/49 |
| D548,776 S * | 8/2007 | Egami | | D18/50 |
| D550,279 S * | 9/2007 | Tani | | D18/50 |
| D552,168 S * | 10/2007 | Egami | | D18/50 |
| D555,194 S * | 11/2007 | Smith | | D18/55 |
| D561,251 S * | 2/2008 | Tjin Wong Joe | | D18/55 |

1 Claim, 12 Drawing Sheets



(56)

References Cited

U.S. PATENT DOCUMENTS

| | | | | |
|--------------|------|---------|------------------|-----------|
| D674,435 | S * | 1/2013 | Inoue | D18/55 |
| D681,723 | S * | 5/2013 | Gilbert | D18/55 |
| D686,277 | S * | 7/2013 | Gilbert | D18/55 |
| D688,742 | S * | 8/2013 | Kim | D18/55 |
| D697,967 | S * | 1/2014 | Fukasawa | D18/55 |
| D702,285 | S * | 4/2014 | Gilbert | D18/39 |
| D724,142 | S * | 3/2015 | Kim | D18/55 |
| D726,251 | S * | 4/2015 | Kim | D18/55 |
| D727,410 | S * | 4/2015 | Saito | D18/36 |
| D727,417 | S * | 4/2015 | Huang | D18/55 |
| D749,168 | S * | 2/2016 | Nakagawa | D18/50 |
| D752,135 | S * | 3/2016 | Uchikawa | D18/39 |
| D755,284 | S * | 5/2016 | Terenzio | D18/50 |
| D758,486 | S * | 6/2016 | Nakagawa | D18/55 |
| D765,080 | S * | 8/2016 | Su | D14/421 |
| D769,965 | S * | 10/2016 | Clark, III | D18/55 |
| D780,840 | S * | 3/2017 | Kim | D18/55 |
| D782,568 | S * | 3/2017 | Nishimura | D18/55 |
| D800,123 | S * | 10/2017 | Tashima | D14/421 |
| D800,214 | S * | 10/2017 | Sato | D18/50 |
| D800,216 | S * | 10/2017 | Sato | D18/55 |
| 2017/0217699 | A1 * | 8/2017 | Washino | B65H 1/30 |
| 2017/0217702 | A1 * | 8/2017 | Ozeki | B65H 1/04 |

* cited by examiner

FIG. 1

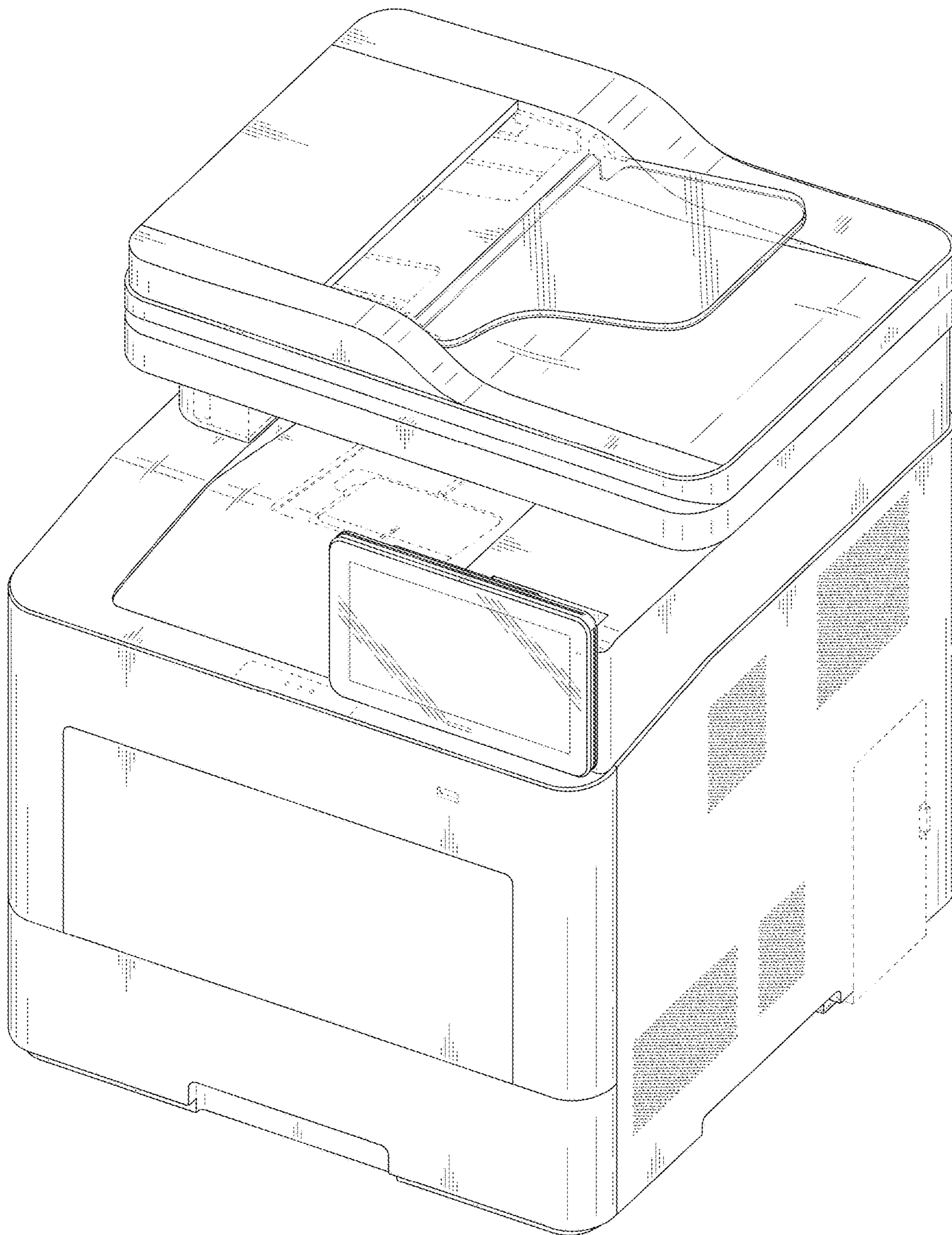


FIG. 2

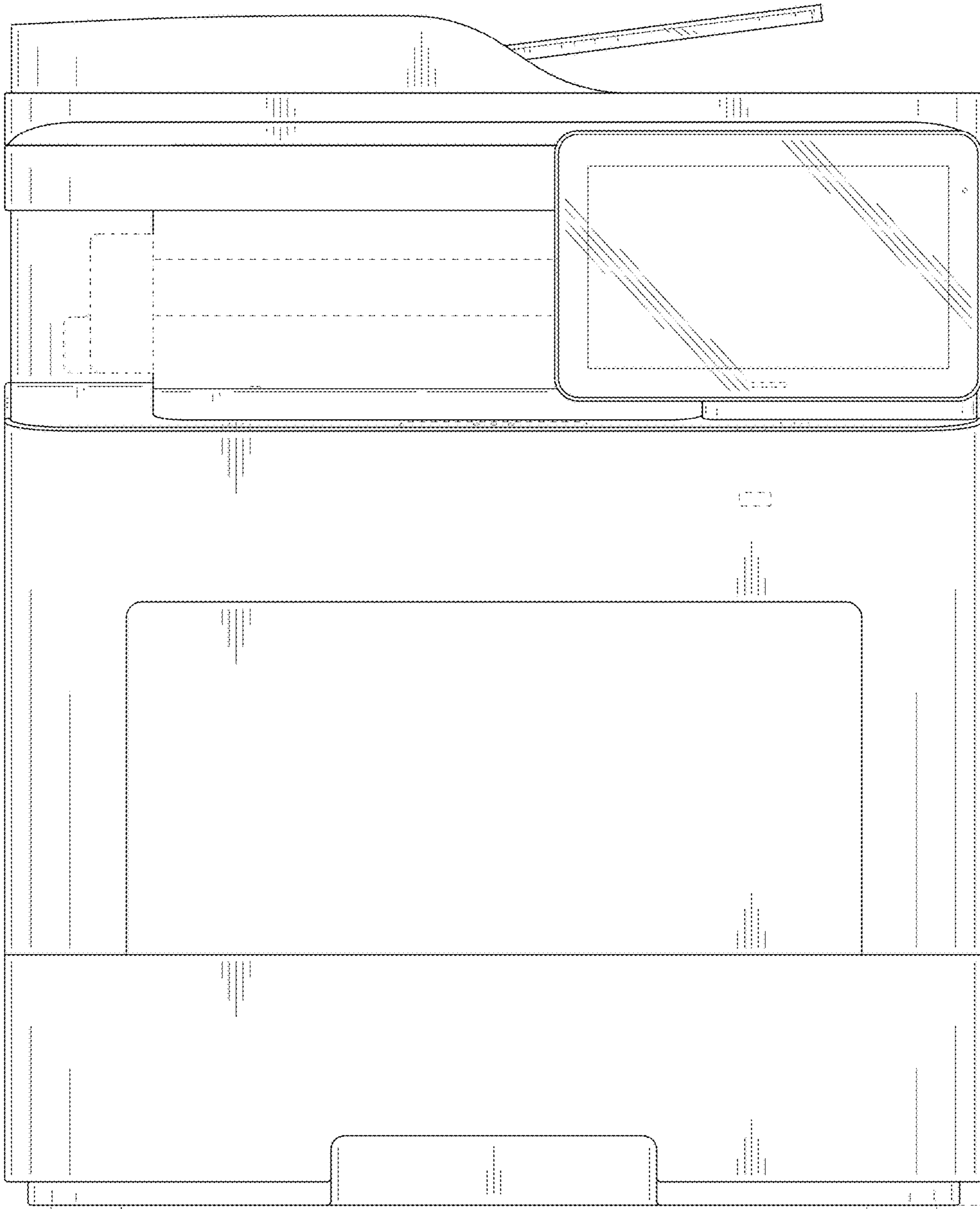


FIG. 3

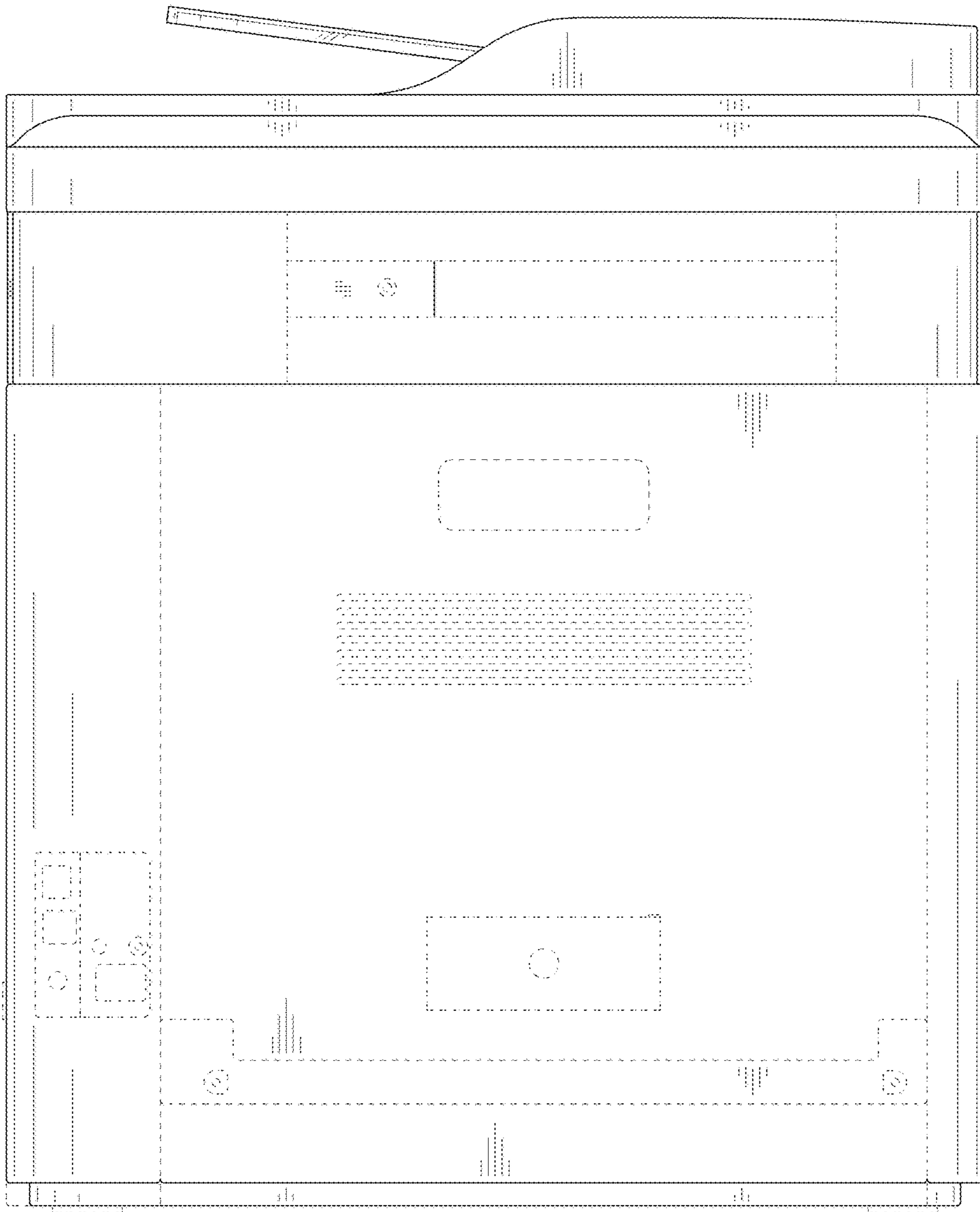


FIG. 4

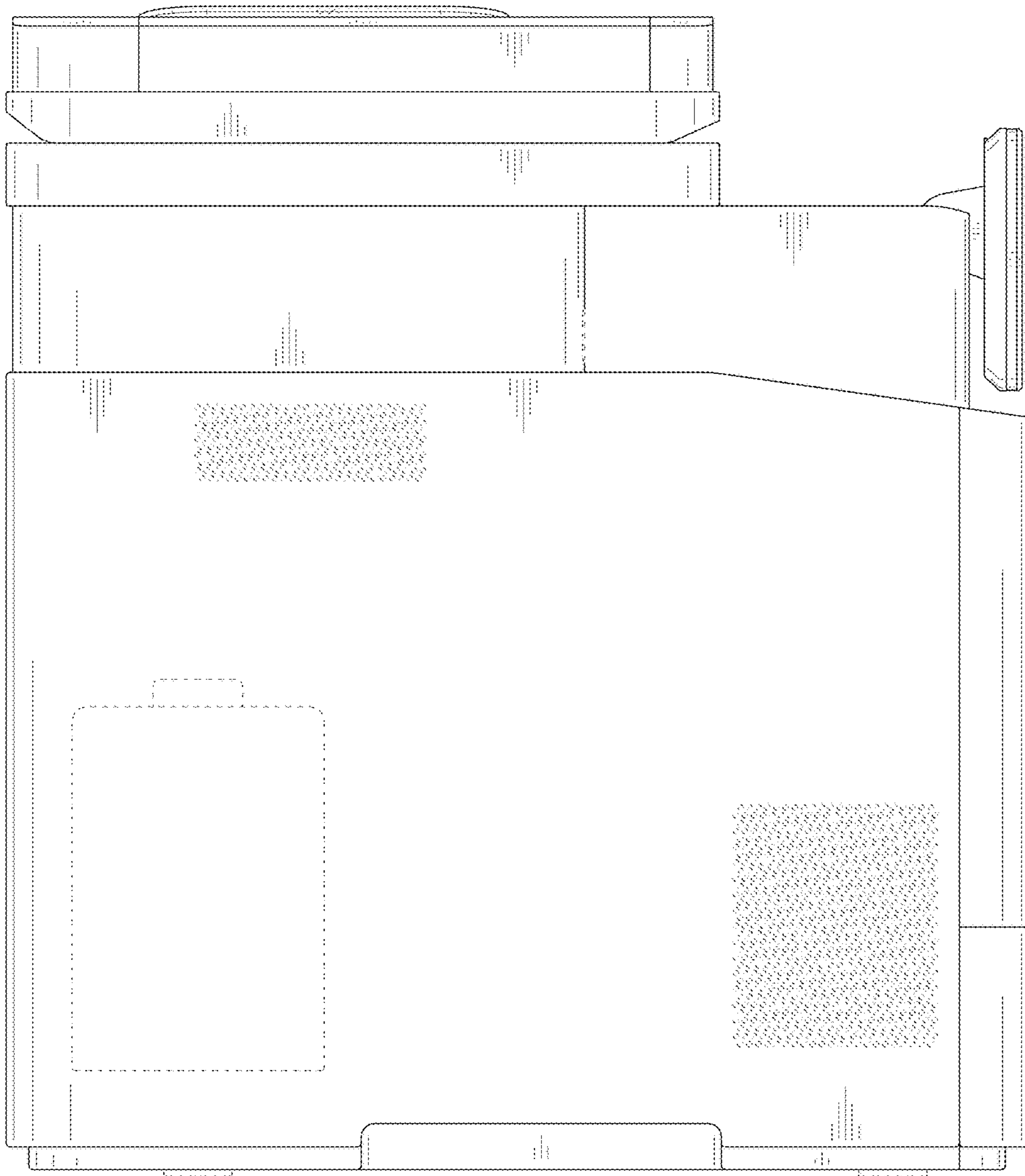


FIG. 5

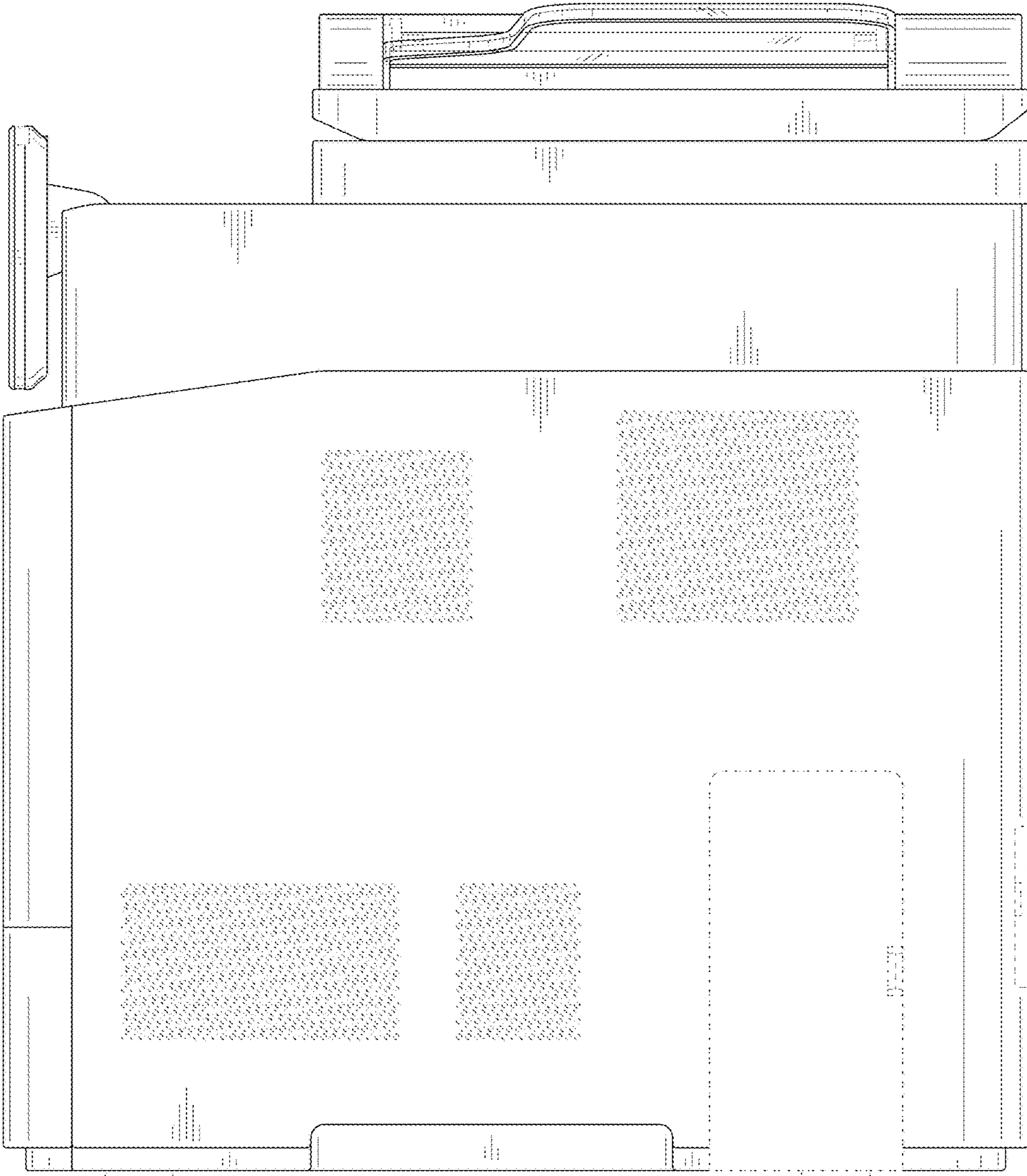


FIG. 6

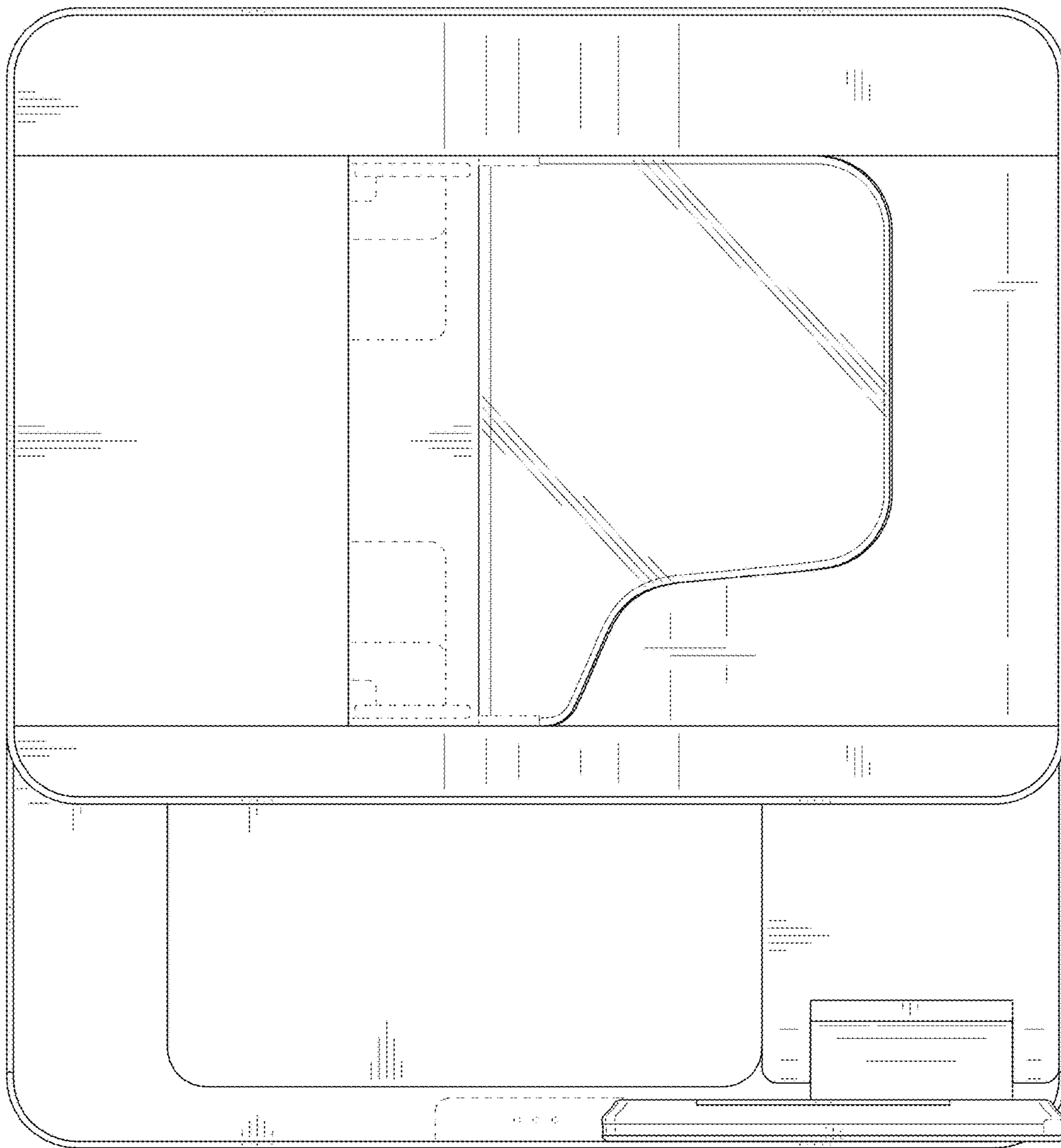


FIG. 7

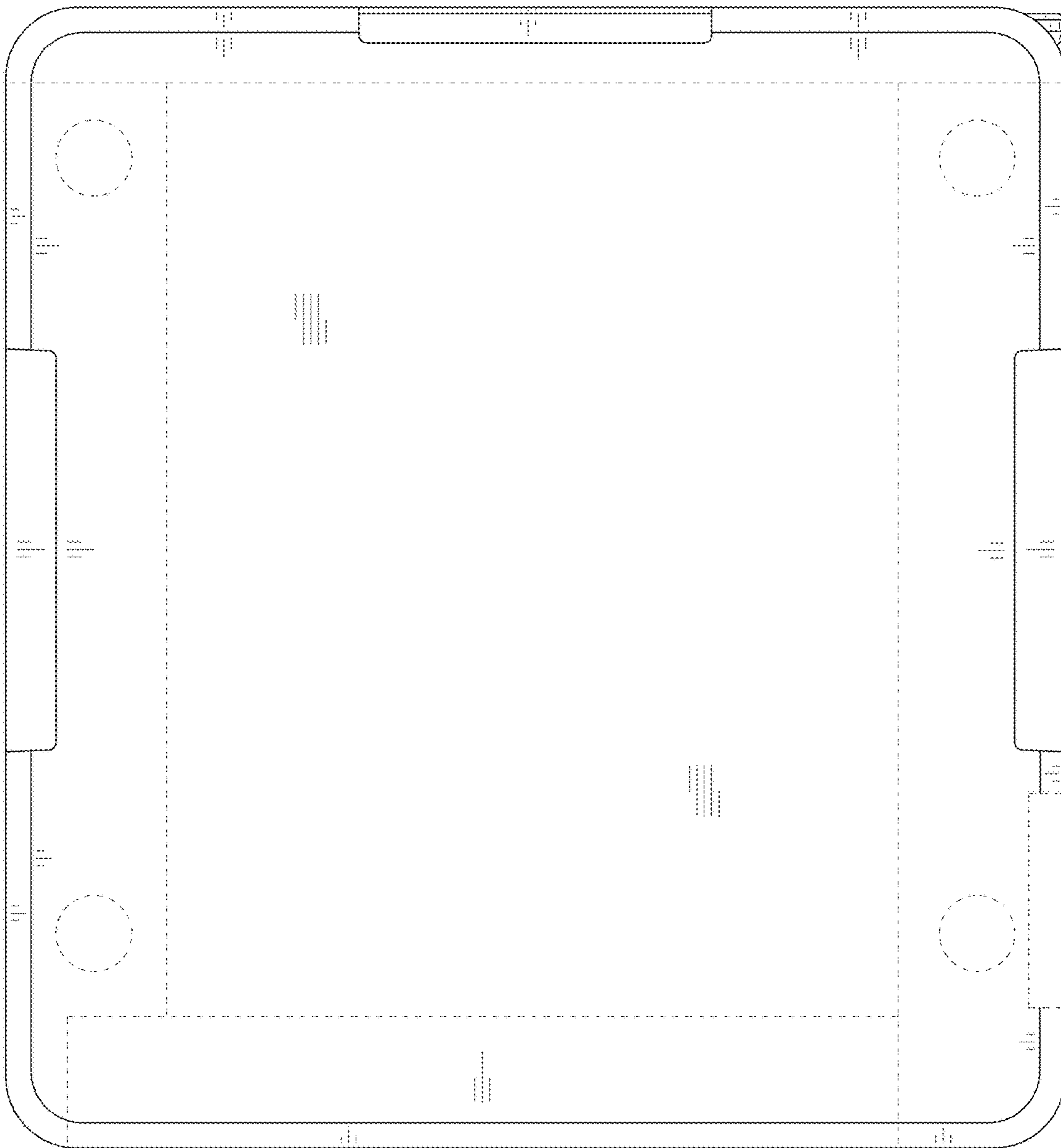


FIG. 8

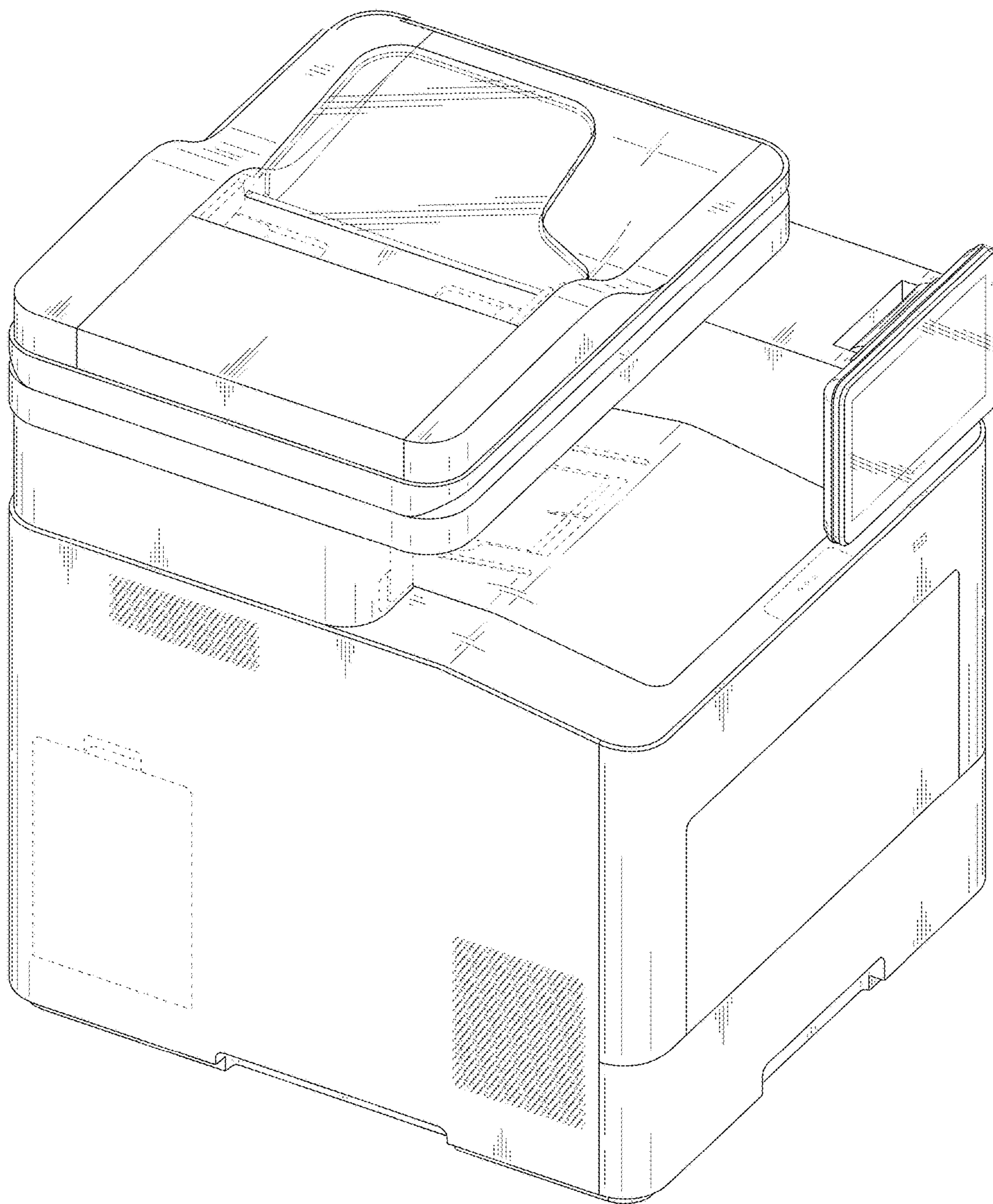


FIG. 9

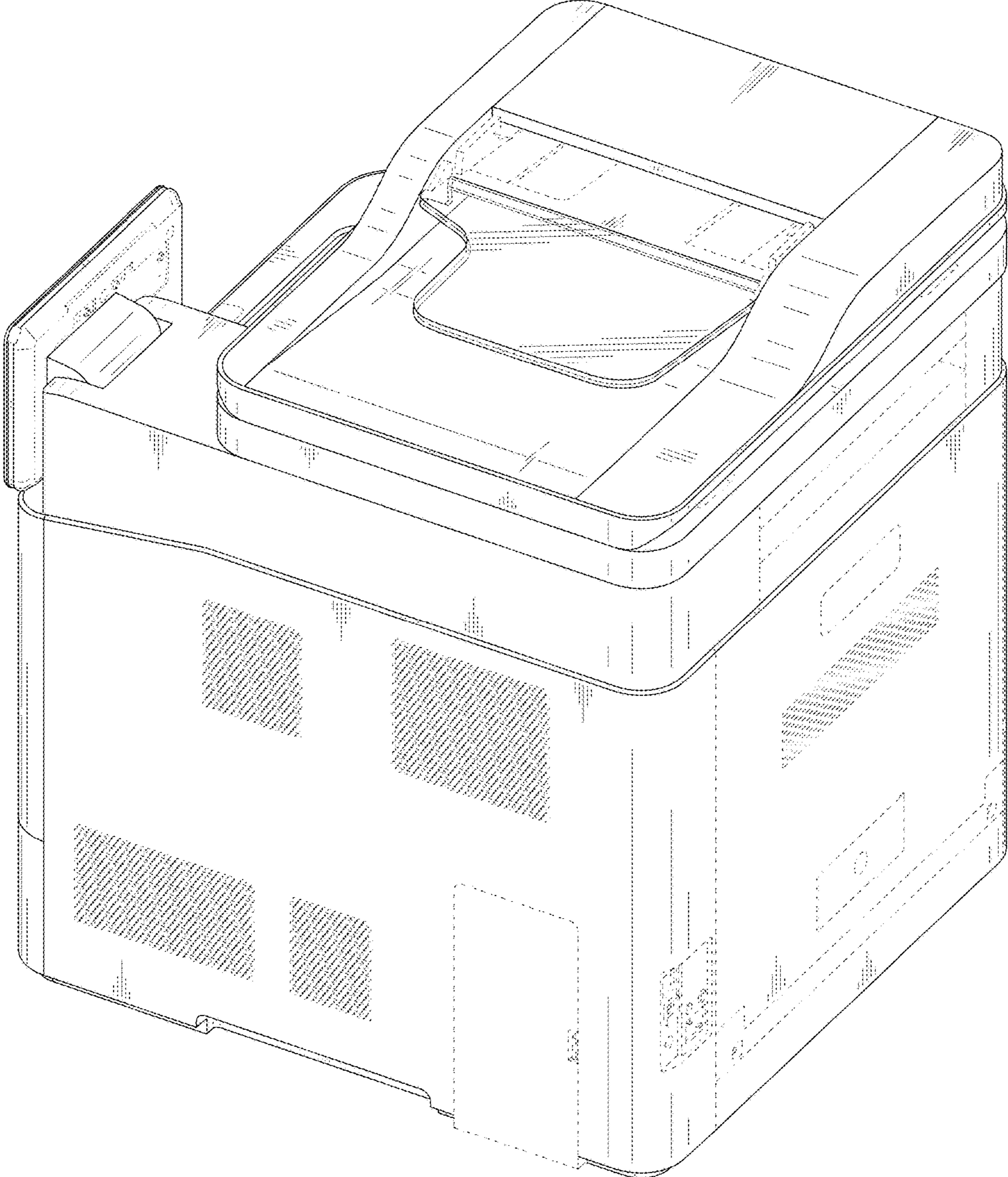


FIG. 10

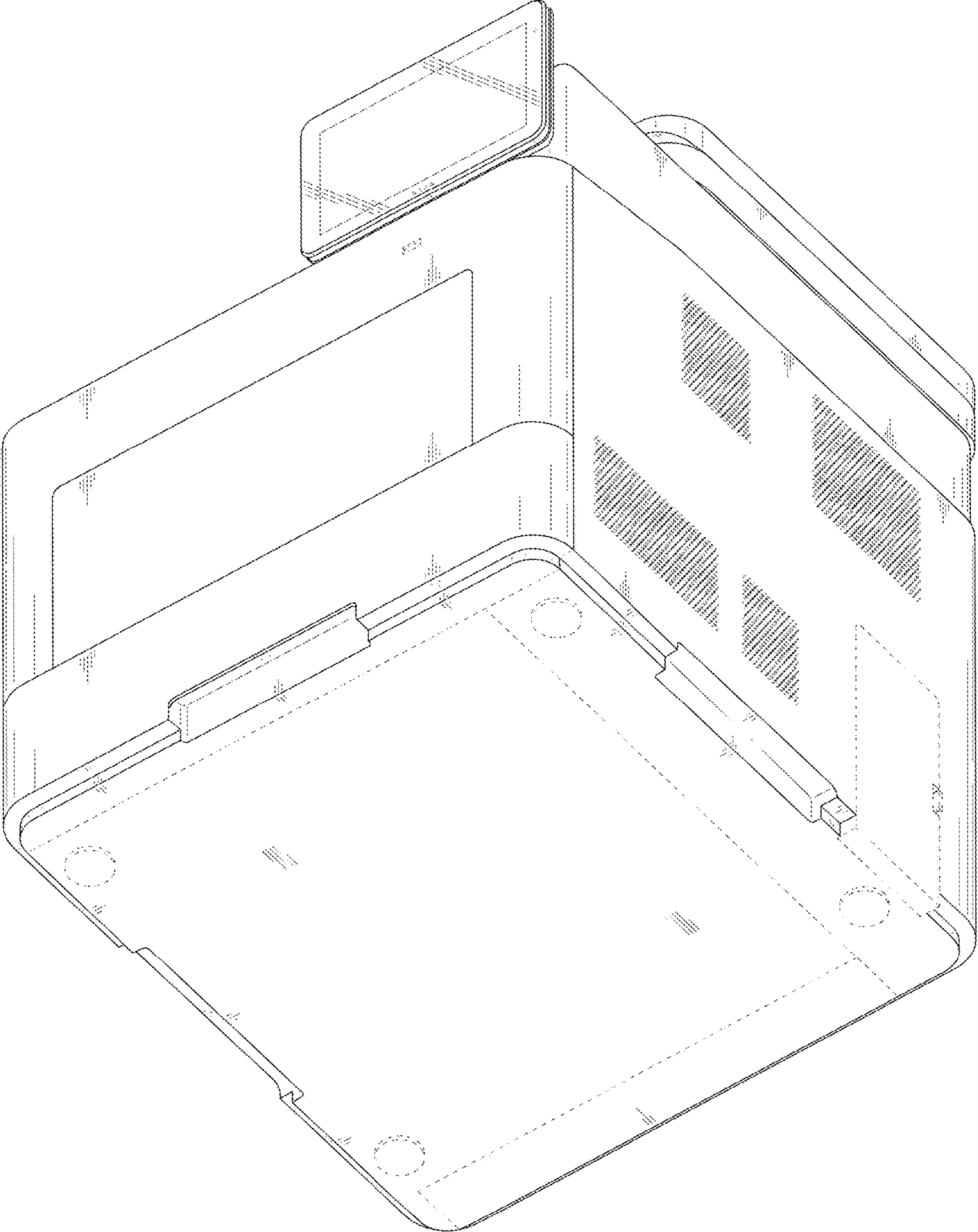


FIG. 11

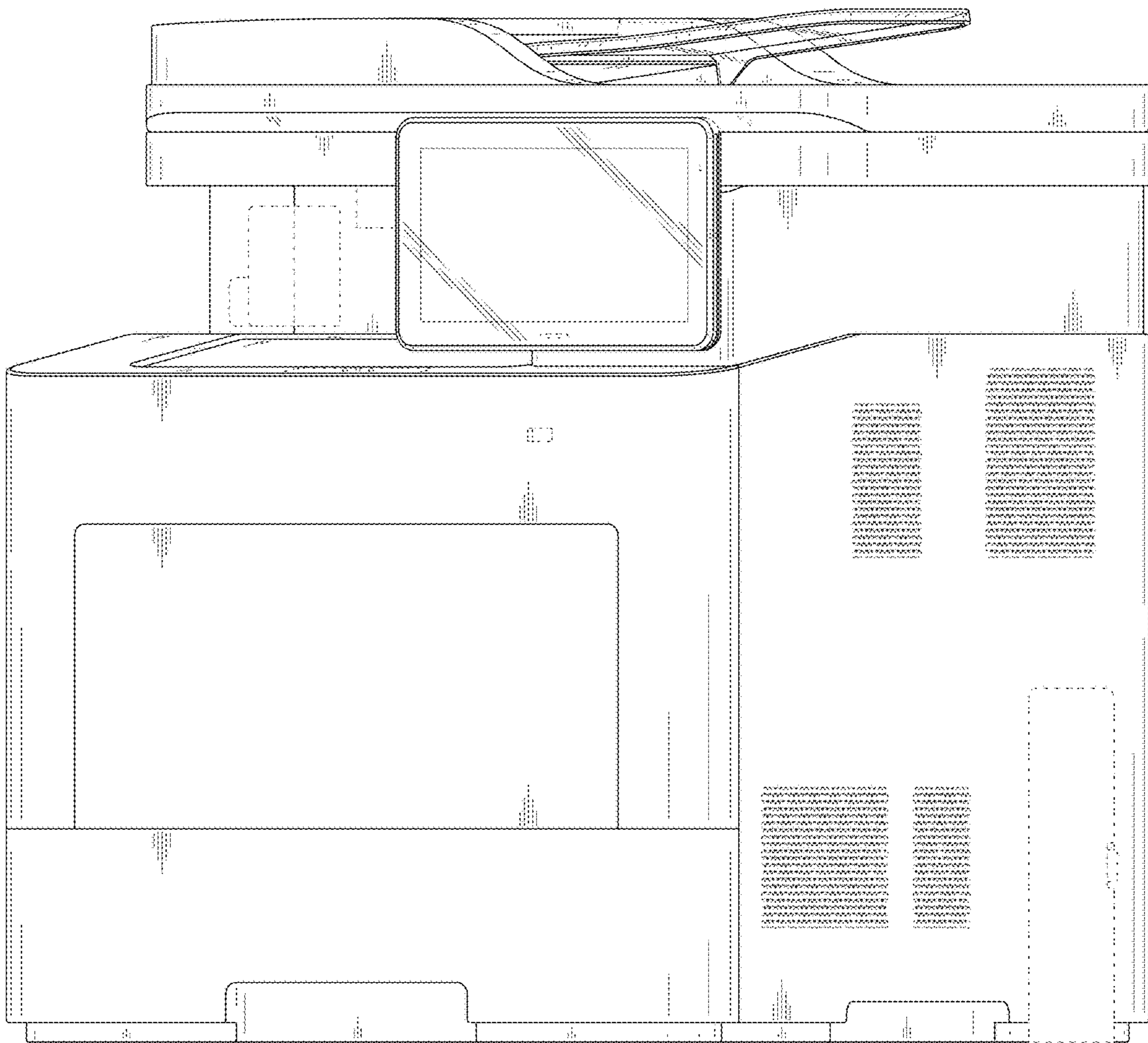


FIG. 12

