



US00D815196S

(12) **United States Design Patent** (10) **Patent No.:** **US D815,196 S**
Tanaka et al. (45) **Date of Patent:** **** Apr. 10, 2018**

(54) **PRINTER**

(71) Applicant: **SEIKO EPSON CORPORATION**,
Tokyo (JP)

(72) Inventors: **Yoshiyuki Tanaka**, Matsumoto (JP);
Hideki Kato, London (GB); **Kenji Oshima**,
Kamiina-gun (JP); **Kohei Usuda**, Shiojiri (JP);
Matt Delegate, London (GB); **David Keech**,
London (GB)

(73) Assignee: **SEIKO EPSON CORPORATION**,
Tokyo (JP)

(**) Term: **15 Years**

(21) Appl. No.: **29/569,897**

(22) Filed: **Jul. 1, 2016**

(30) **Foreign Application Priority Data**

Jan. 15, 2016 (JP) 2016-000649
Jan. 15, 2016 (JP) 2016-000650

(51) **LOC (11) Cl.** **18-02**

(52) **U.S. Cl.**
USPC **D18/50; D18/55**

(58) **Field of Classification Search**
USPC D18/50, 54-55, 36-37, 14; D14/421
CPC B41J 11/58; B41J 15/12; B41J 15/042;
G06K 15/12; G06K 15/14
See application file for complete search history.

(56) **References Cited**

U.S. PATENT DOCUMENTS

D532,449 S * 11/2006 Tjin Wong Joe D18/55
D534,578 S * 1/2007 Katayama D18/36

D561,250 S * 2/2008 Smith D18/55
D586,384 S * 2/2009 Yamaguchi D18/55
D639,851 S * 6/2011 Penke D18/55
D647,958 S * 11/2011 Yoshioka D18/50
D667,488 S * 9/2012 Inoue D18/55
D680,162 S * 4/2013 Goh D14/421
D686,659 S * 7/2013 Tanaka D18/55
D705,781 S * 5/2014 Yin D14/421
D718,313 S * 11/2014 Goh D14/421
2017/0217222 A1 * 8/2017 Sugiyama B65H 31/02
2017/0217699 A1 * 8/2017 Washino B65H 1/30
2017/0217702 A1 * 8/2017 Ozeki B65H 1/04

* cited by examiner

Primary Examiner — Robin V Webster

Assistant Examiner — James C Thorn, Sr.

(57) **CLAIM**

The ornamental design for a printer, as shown and described.

DESCRIPTION

FIG. 1 is a front, top, and right side perspective view of a printer showing our new design;
FIG. 2 is a rear, top, and left side perspective view thereof;
FIG. 3 is a front view thereof;
FIG. 4 is a rear view thereof;
FIG. 5 is a top plan view thereof;
FIG. 6 is a bottom plan view thereof;
FIG. 7 is a right side view thereof; and,
FIG. 8 is a left side view thereof.
The broken lines illustrate portions of the printer and form no part of the claimed design.

1 Claim, 8 Drawing Sheets

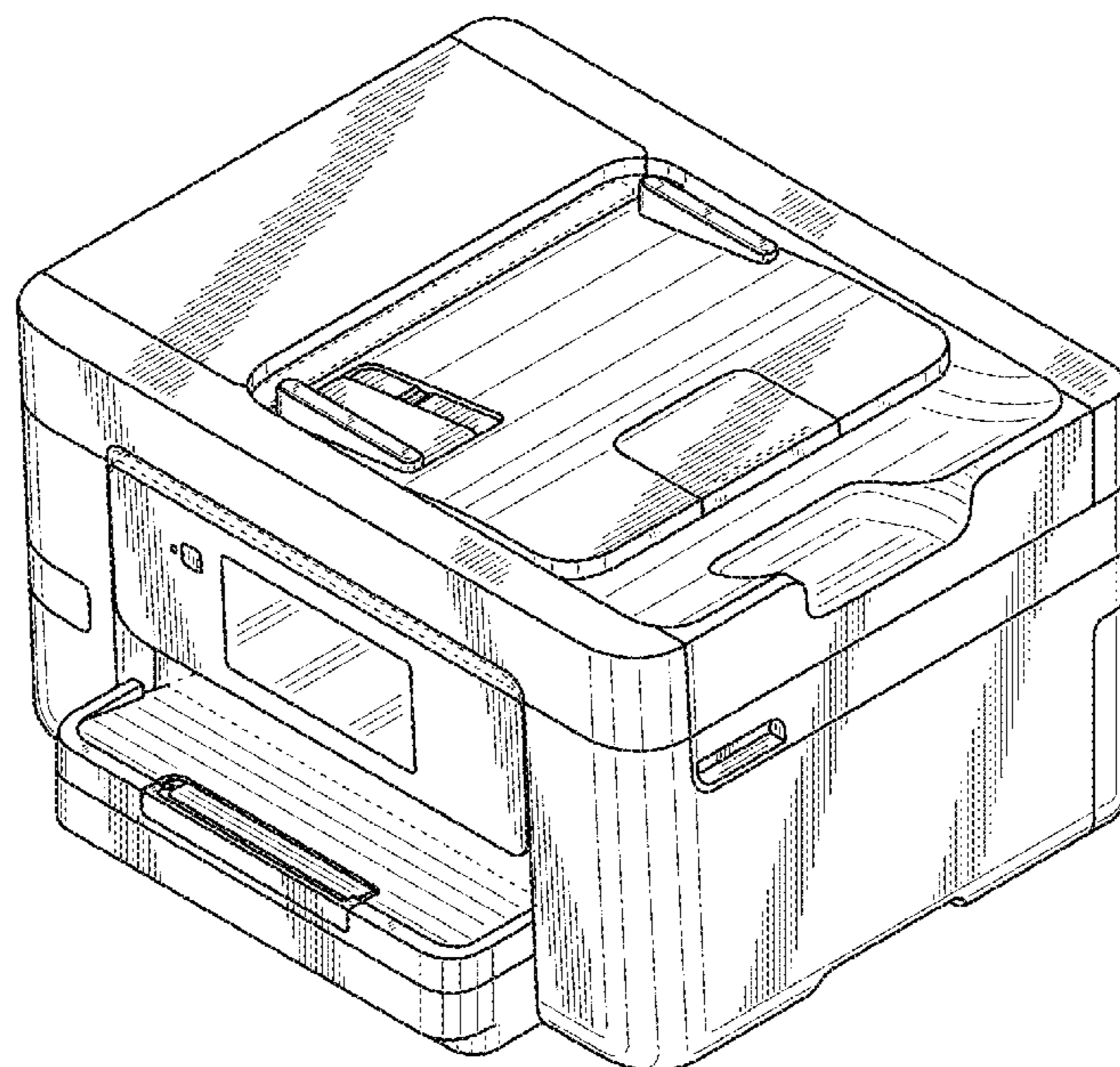


FIG. 1

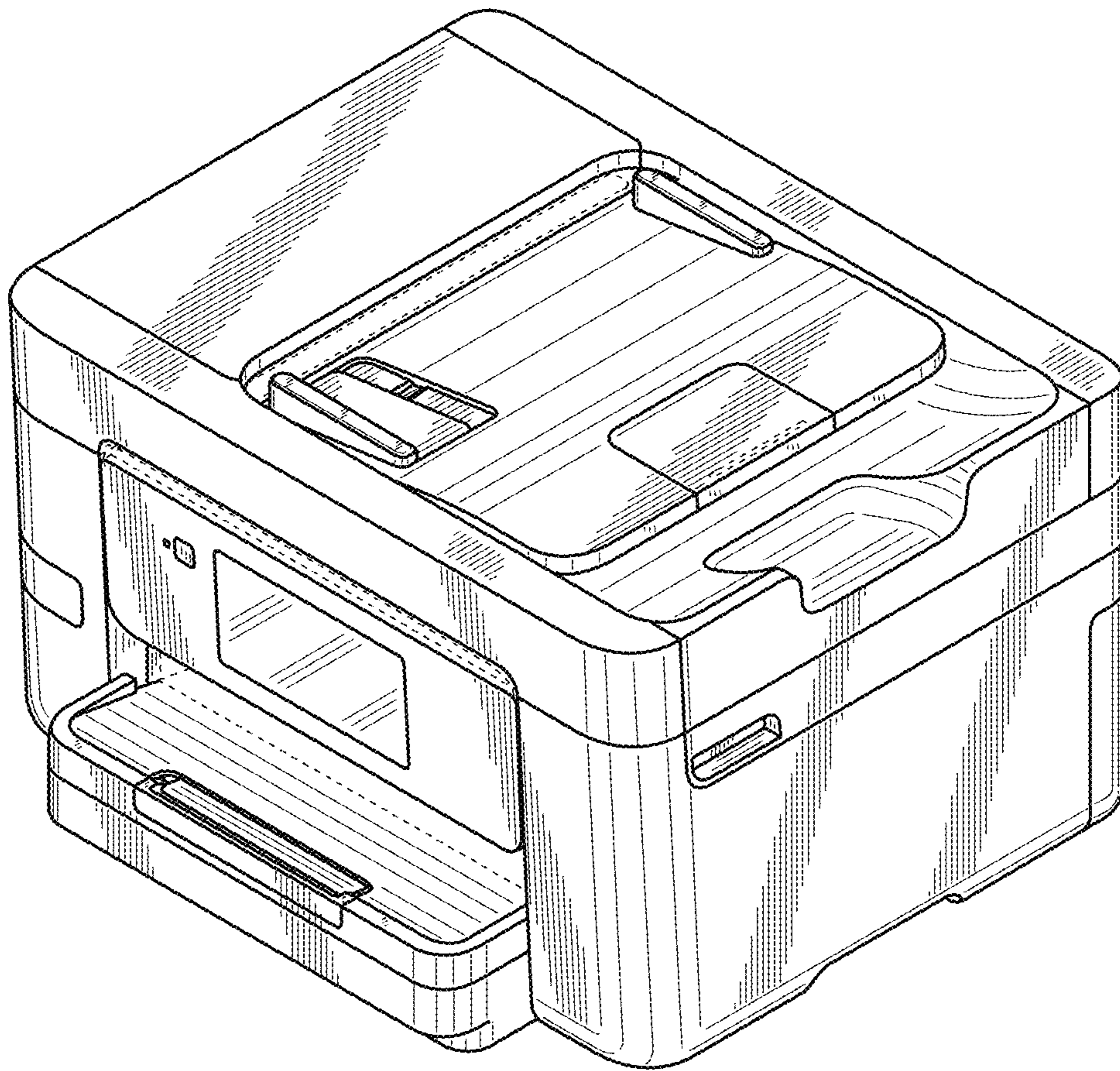


FIG. 2

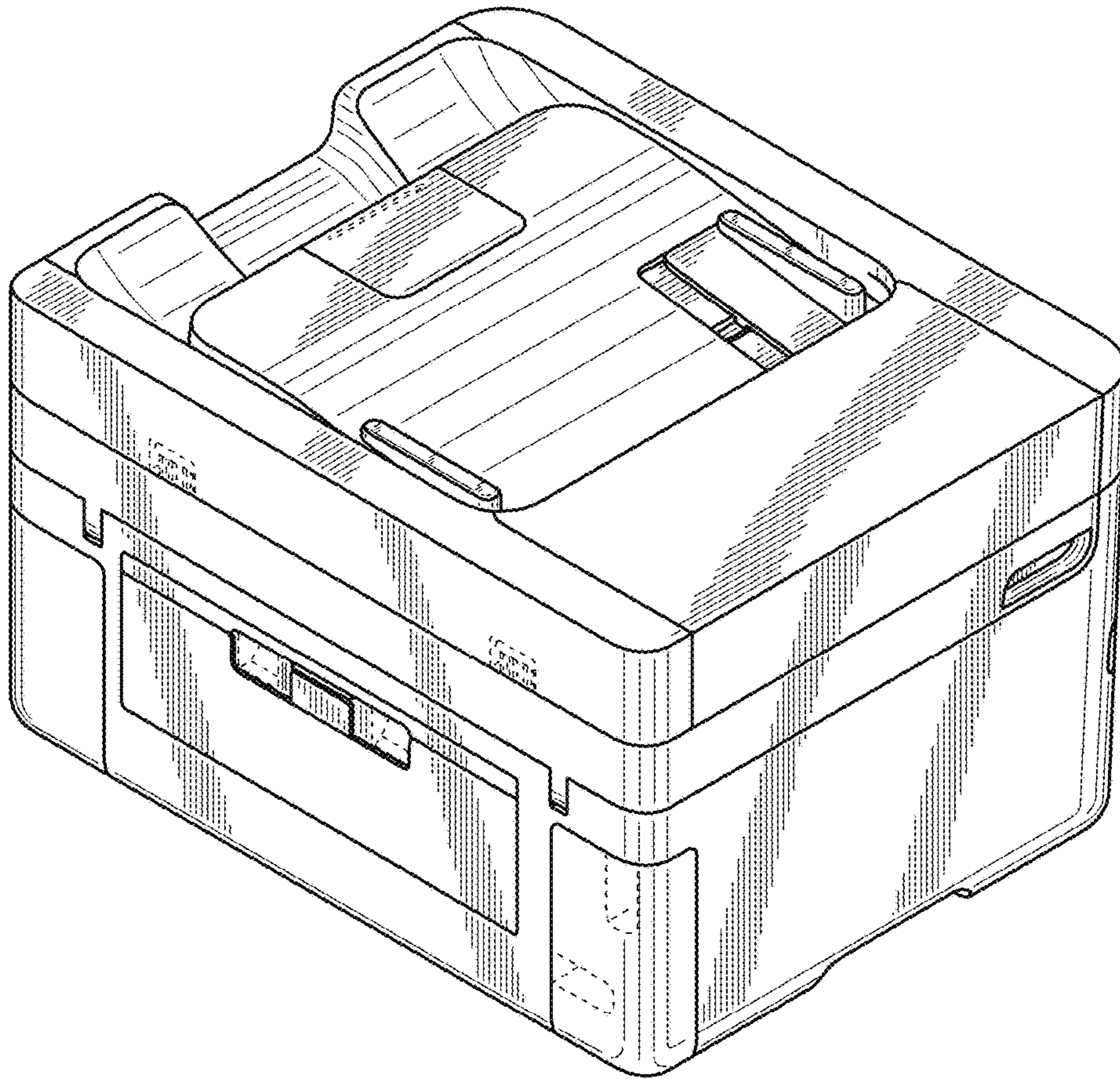


FIG. 3

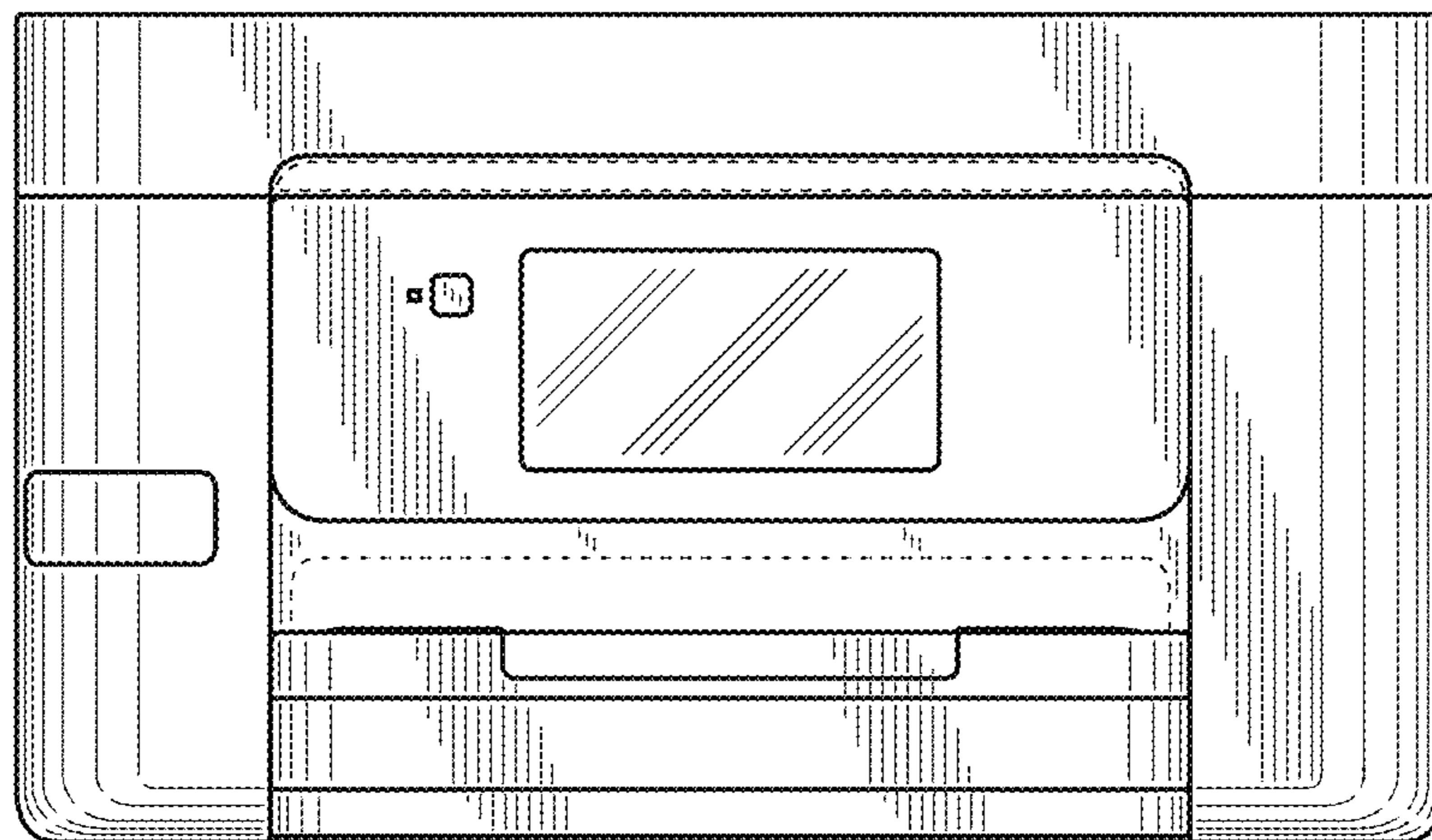


FIG. 4

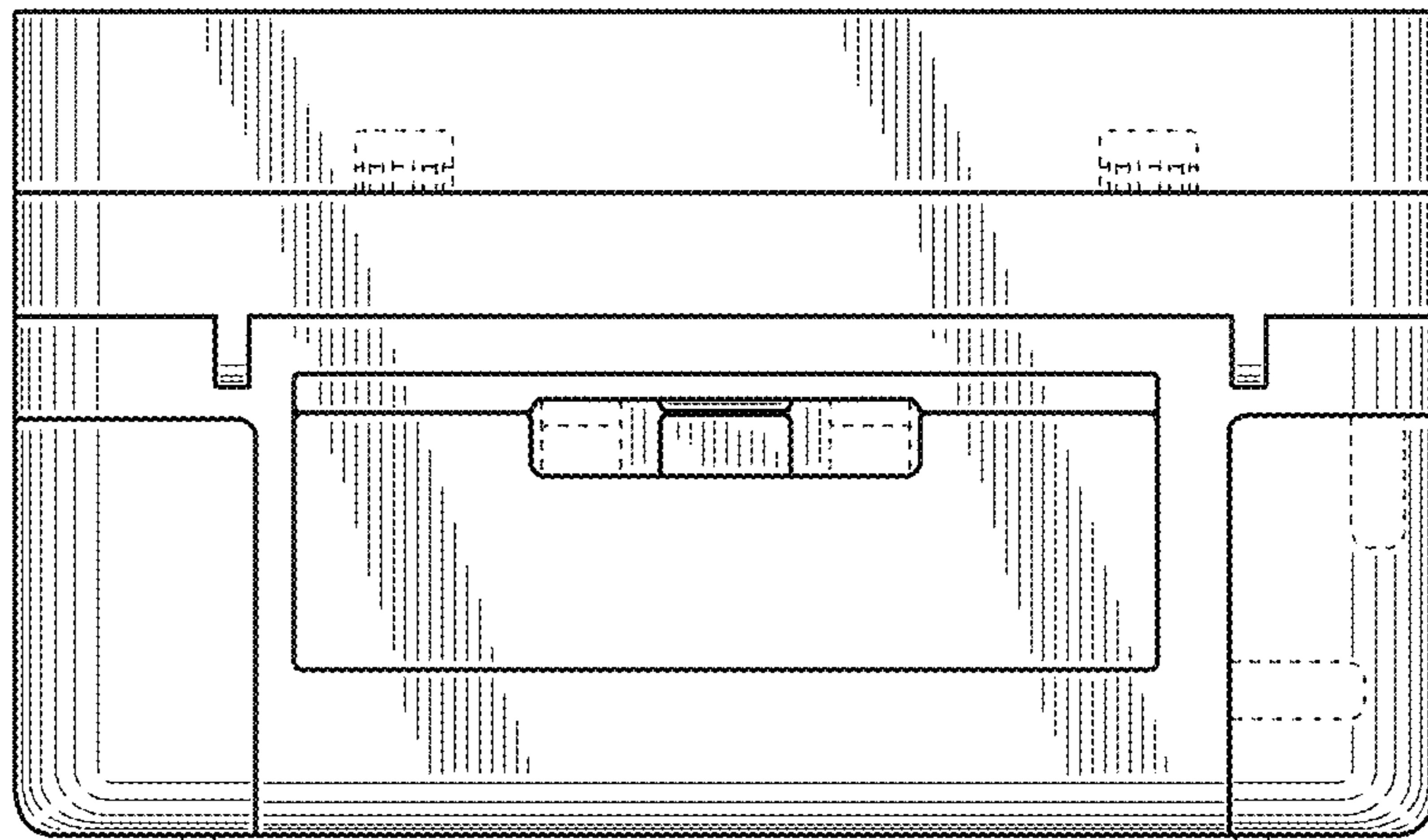


FIG. 5

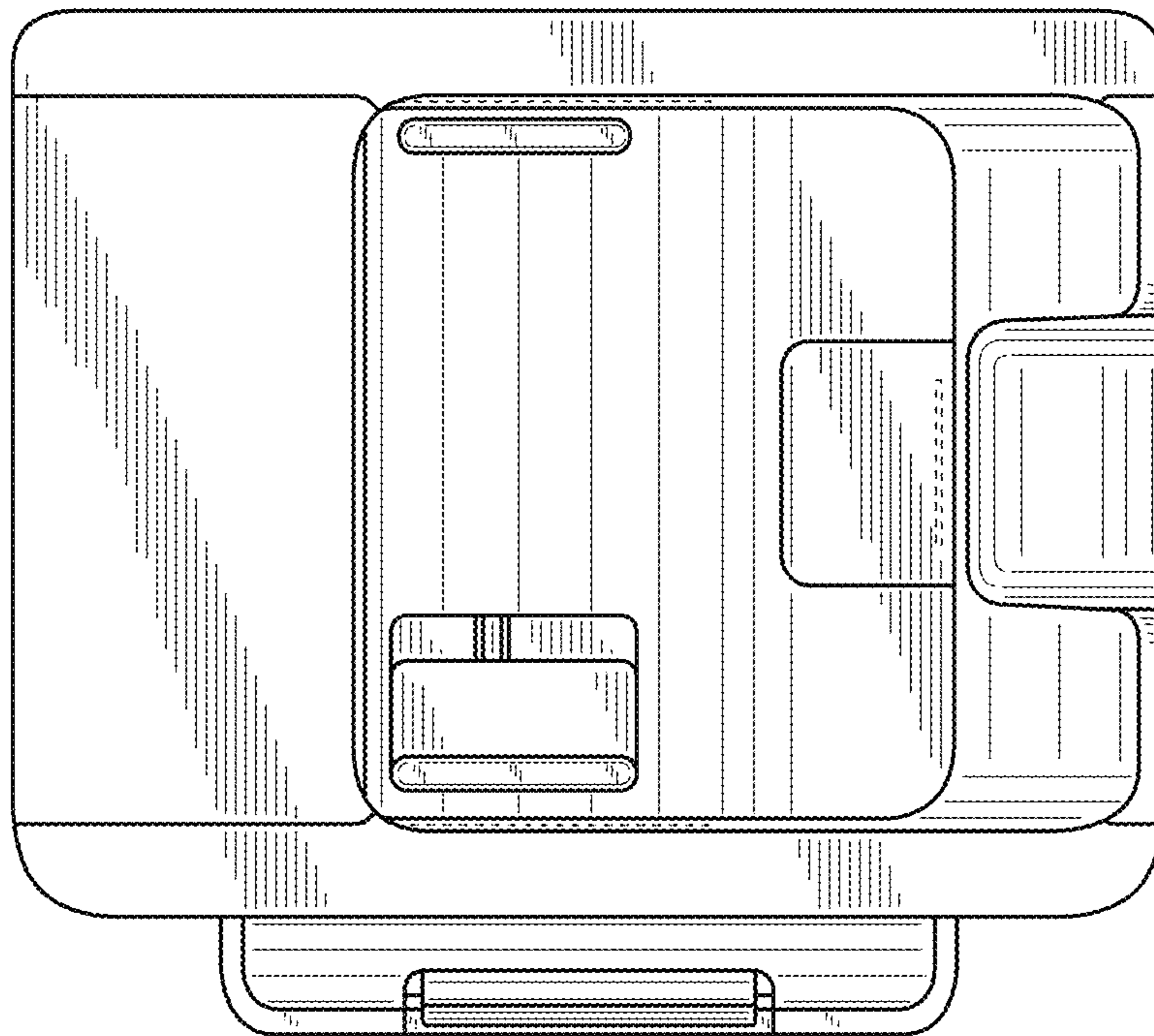


FIG. 6

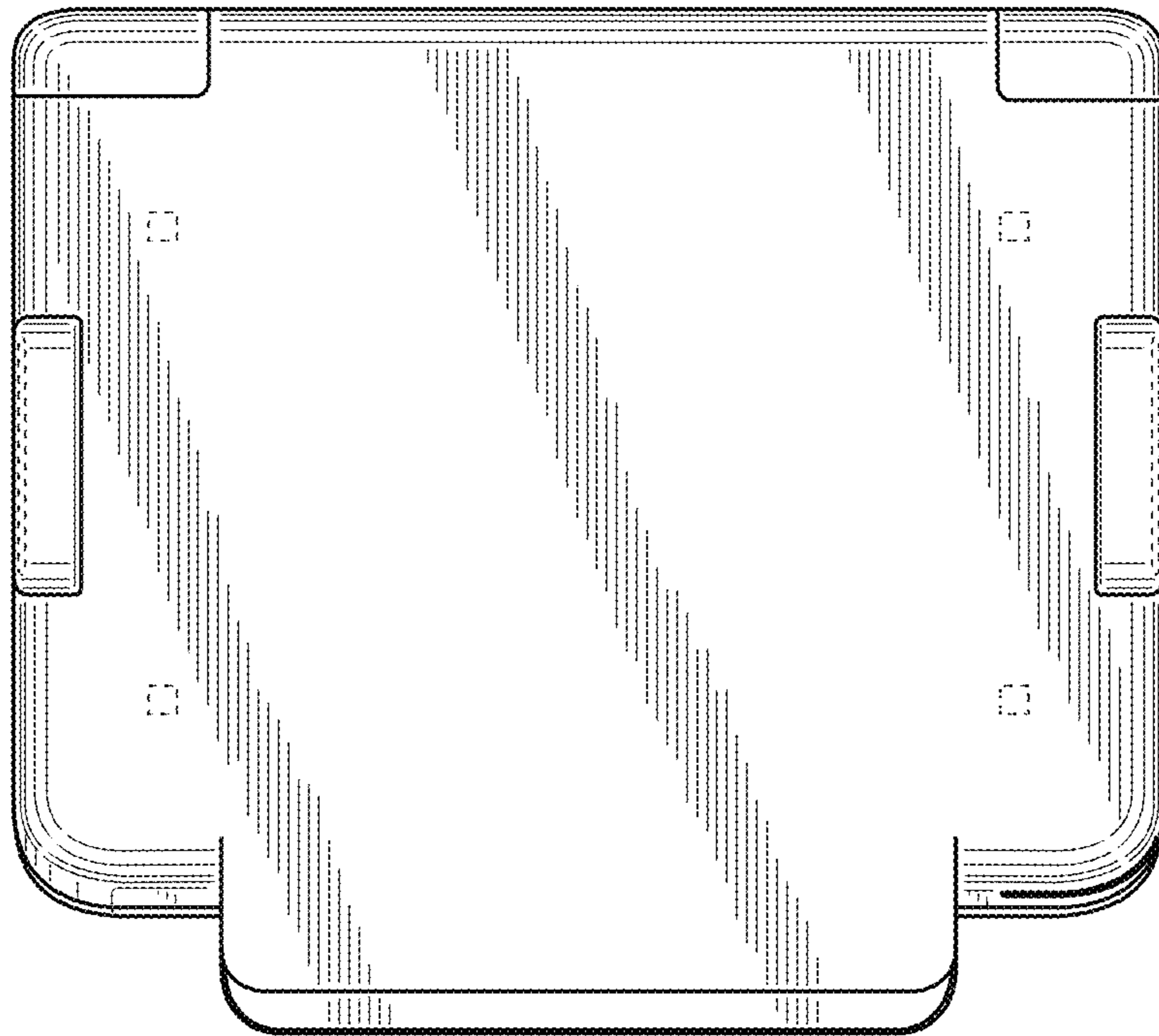


FIG. 7

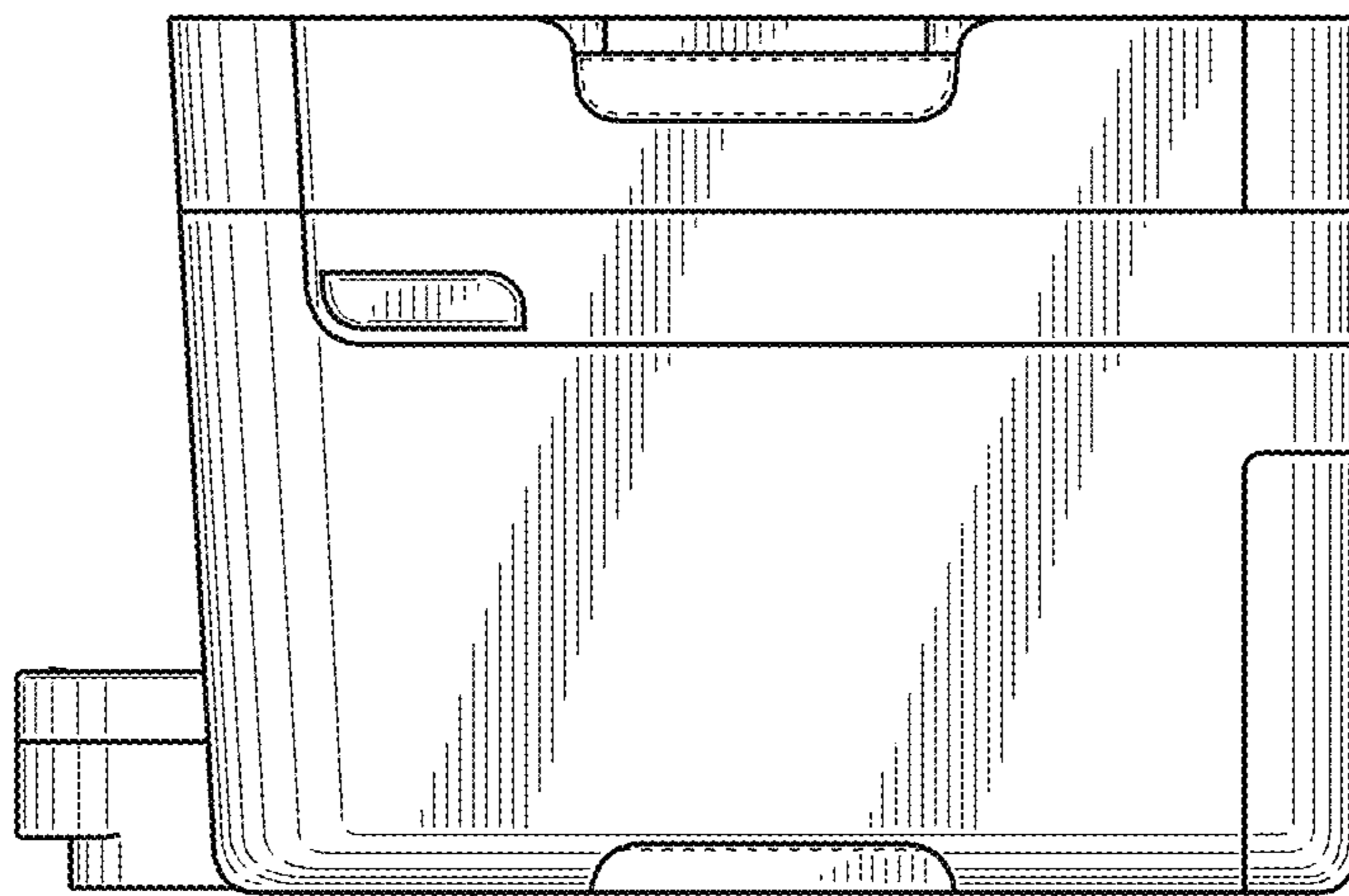


FIG. 8

