



US00D815192S

(12) **United States Design Patent**
Kulcsar

(10) **Patent No.:** **US D815,192 S**
(45) **Date of Patent:** **** Apr. 10, 2018**

(54) **DRUM STICK GRIPPING DEVICE**
(71) Applicant: **Donnie D. Kulcsar**, Port St. Lucie, FL (US)
(72) Inventor: **Donnie D. Kulcsar**, Port St. Lucie, FL (US)
(73) Assignee: **GLORIOUS DESTINY, LLC**, Port St. Lucie, FL (US)
(**) Term: **15 Years**

5,856,627 A * 1/1999 George G10D 3/163 84/322
D417,141 S * 11/1999 Senninger D8/395
D440,005 S * 4/2001 Blanton 24/16 R
D506,385 S * 6/2005 Brown D8/394
7,165,475 B2 * 1/2007 Teppe B67B 7/16 81/3.41
7,435,889 B1 10/2008 Heidt
D660,690 S * 5/2012 Mixides D8/396
8,168,874 B2 * 5/2012 Watson G10D 13/003 84/422.4
D732,009 S * 6/2015 Bak D14/229
(Continued)

(21) Appl. No.: **29/575,012**
(22) Filed: **Aug. 22, 2016**
(51) **LOC (11) Cl.** **17-04**
(52) **U.S. Cl.**
USPC **D17/22**
(58) **Field of Classification Search**
USPC D17/14, 20, 21, 23, 99, 22; D11/1-3, D11/26-28, 37, 39; D8/330, 331, 333, D8/349, 382, 394, 396
CPC .. G10D 13/003; G10D 13/024; G10D 13/006; G10D 13/02; G10D 3/00; G10D 3/003; G06F 17/30; A24F 13/22
See application file for complete search history.

OTHER PUBLICATIONS

Thingiverse, Gaming Cigarette Holder, posted on Jun. 04, 2016, [online], [site visited on Oct. 19, 2017]. Available from Internet, URL: <https://www.thingiverse.com/thing:1608386> (Year: 2016).*
(Continued)

Primary Examiner — Sheryl Lane
Assistant Examiner — Samantha N Wood
(74) *Attorney, Agent, or Firm* — Fox Rothschild LLP

(57) **CLAIM**

The ornamental design for a drum stick gripping device, as shown and described.

(56) **References Cited**

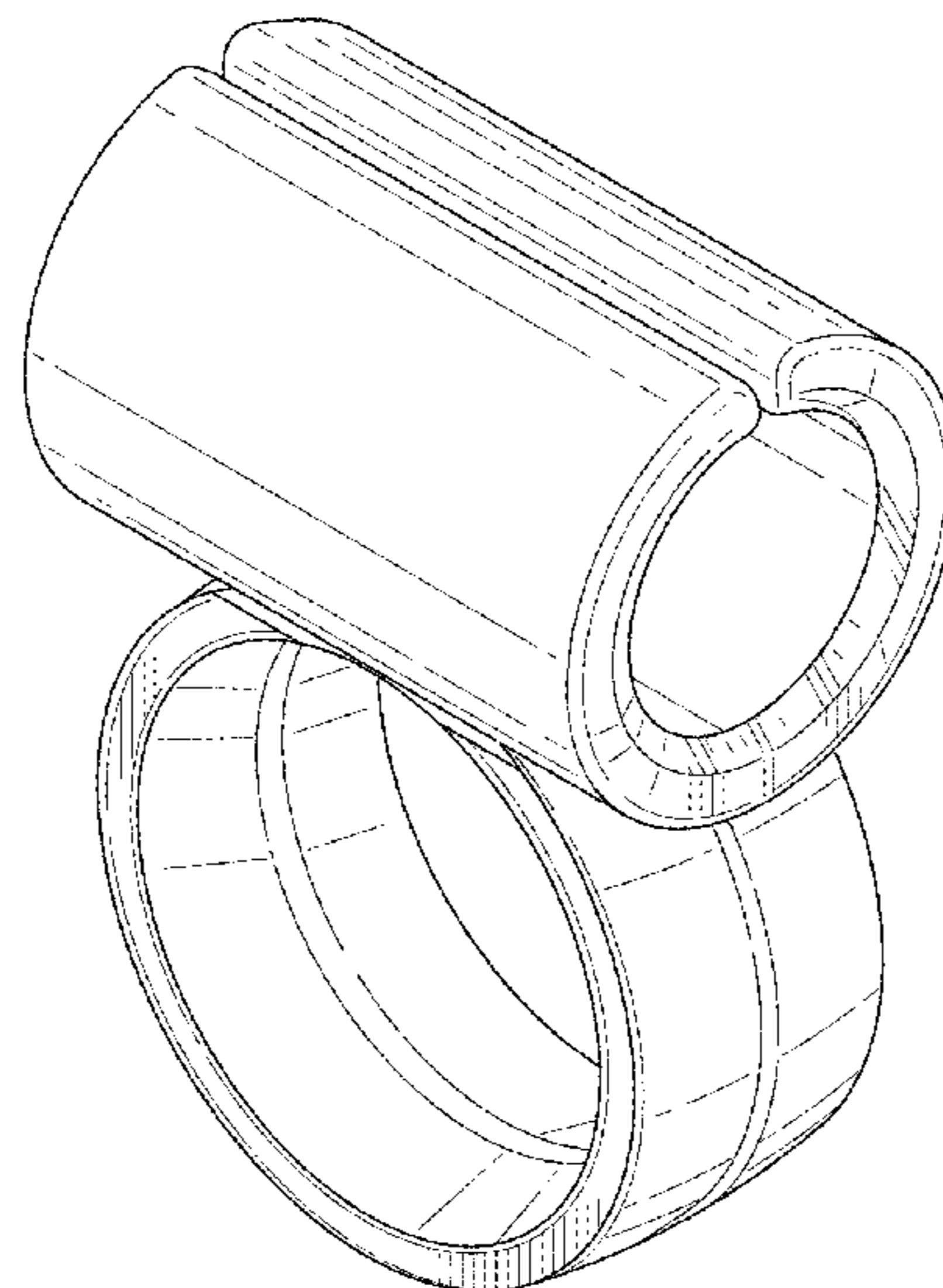
U.S. PATENT DOCUMENTS

892,812 A * 7/1908 Day A24F 13/22 131/258
1,891,431 A * 12/1932 Markart A24F 13/22 131/258
D206,896 S * 2/1967 Flaly D11/2
3,442,169 A * 5/1969 Bowers G10D 3/163 84/322
4,856,688 A * 8/1989 Ackmann A47G 25/1457 224/217
D351,046 S * 9/1994 McCambridge D28/53
D359,512 S * 6/1995 Rogers D19/135

DESCRIPTION

FIG. 1 is a top front perspective view of a drum stick gripping device.
FIG. 2 is a bottom rear perspective view.
FIG. 3 is a right side elevation view.
FIG. 4 is a left side elevation view.
FIG. 5 is a top plan view.
FIG. 6 is a bottom plan view.
FIG. 7 is a front elevation view; and,
FIG. 8 is a rear elevation view.

1 Claim, 4 Drawing Sheets



(56)

References Cited

U.S. PATENT DOCUMENTS

2009/0044684 A1 2/2009 Avartanian

OTHER PUBLICATIONS

Amazon.com: Drummers leash—twirling stick grip: musical instruments (<https://www.amazon.com/Drummers-leash-twirling-stick-grip>) accessed on Aug. 2, 2016.

Amazon.com: Groove sticks—twirl your drumsticks!: musical instruments (<https://www.amazon.com/groove-sticks-twirl-our-drumsticks>) accessed on Aug. 2, 2016.

* cited by examiner

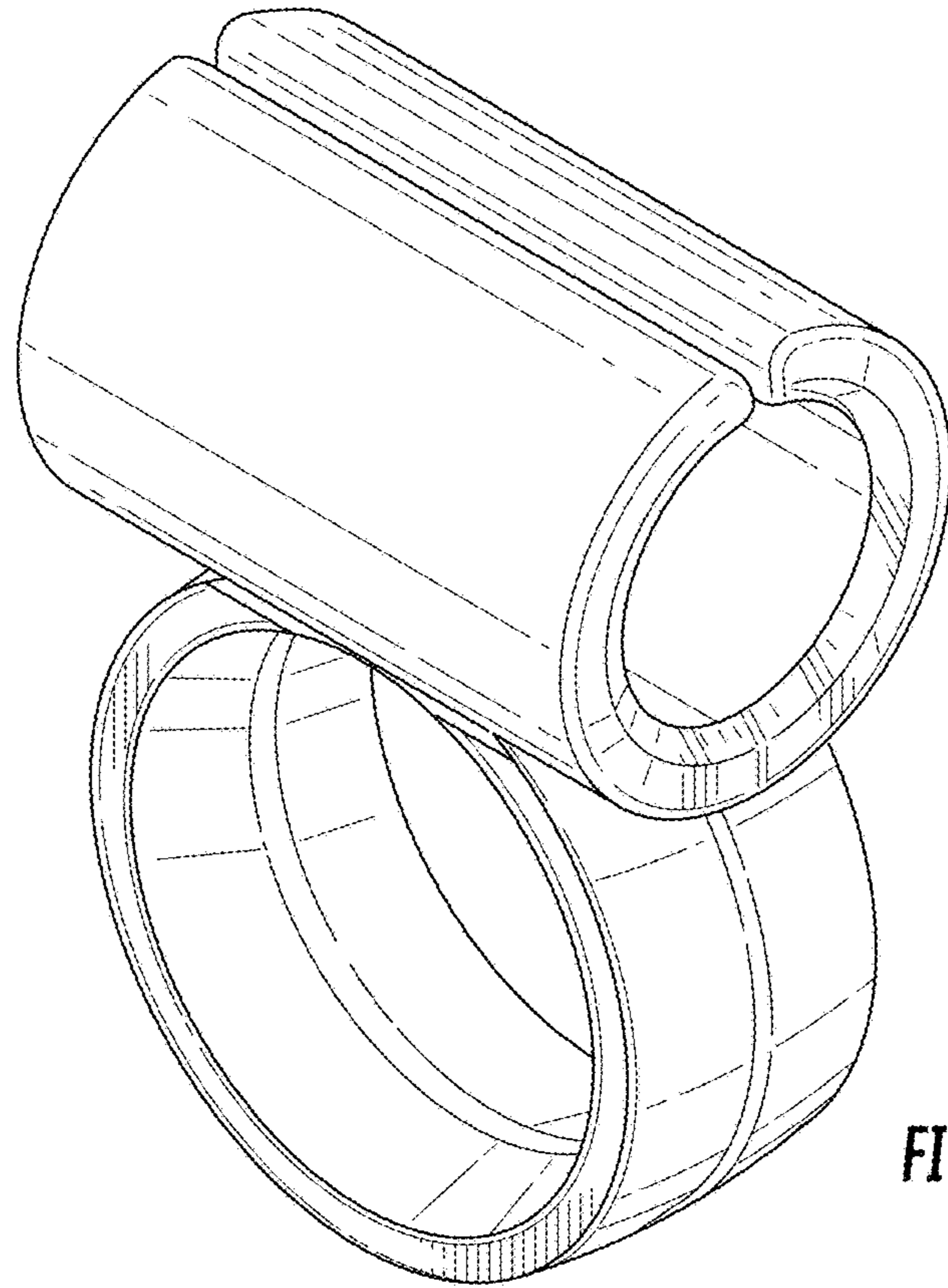


FIG. 1

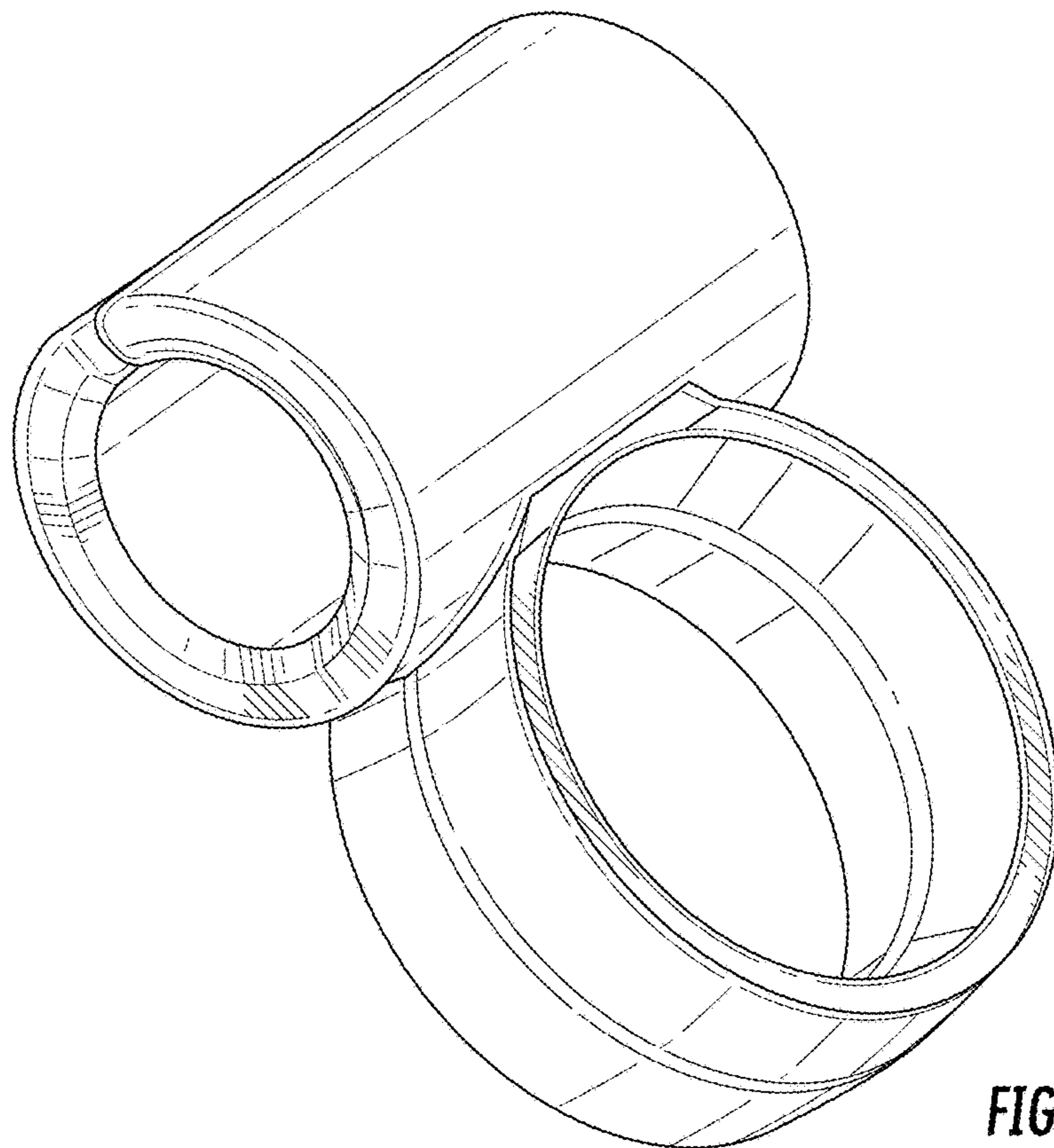


FIG. 2

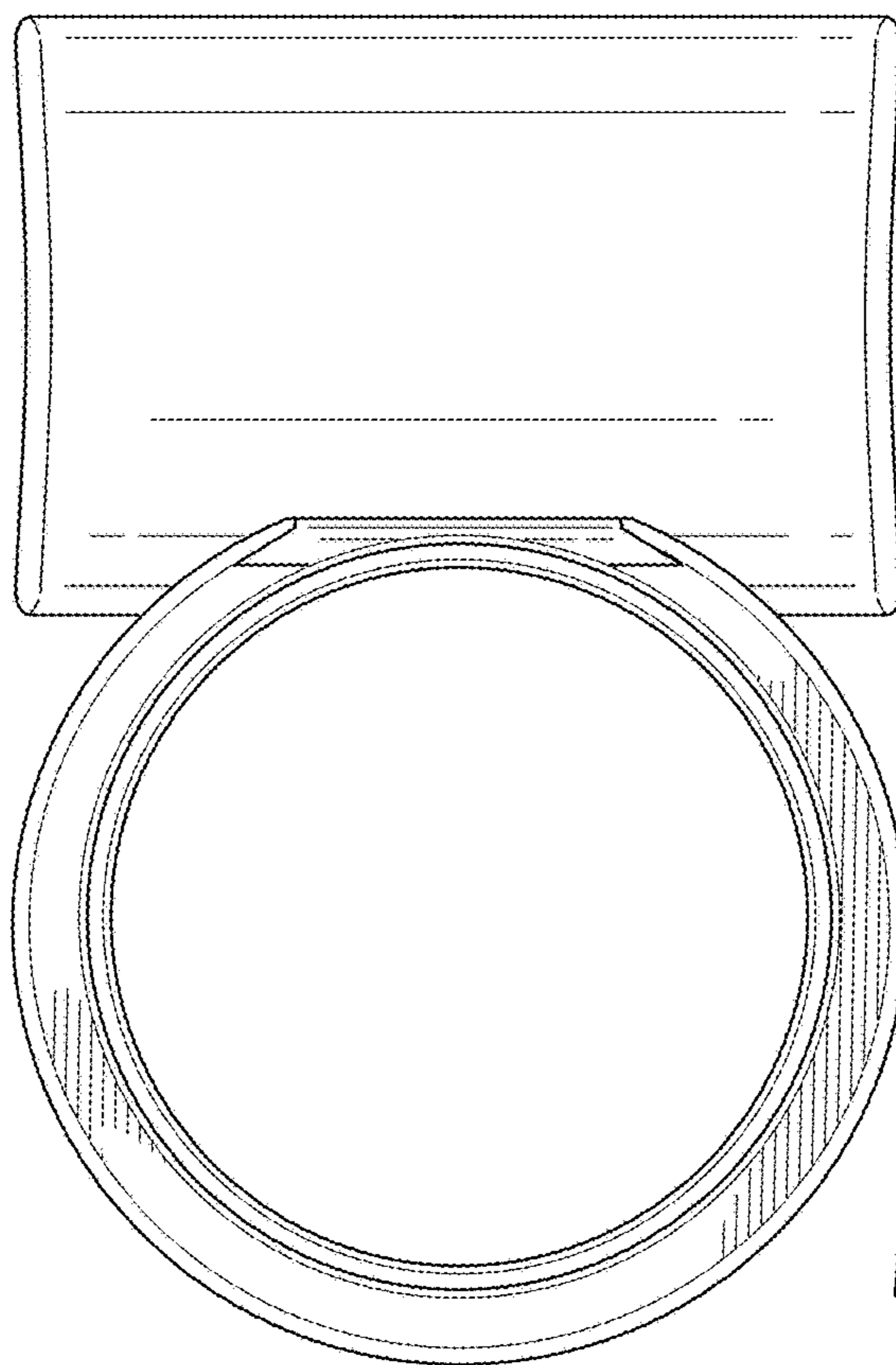


FIG. 3

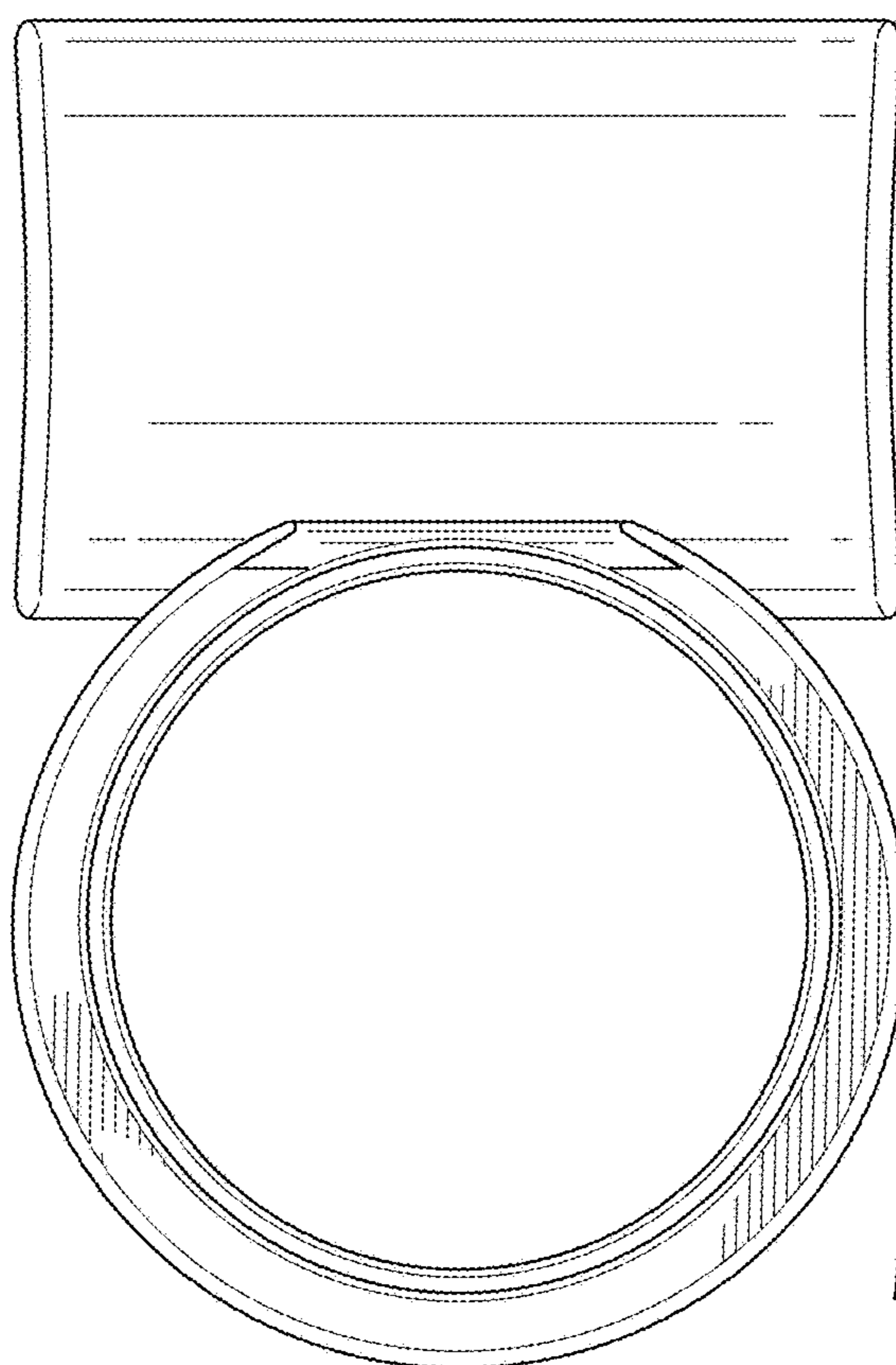


FIG. 4

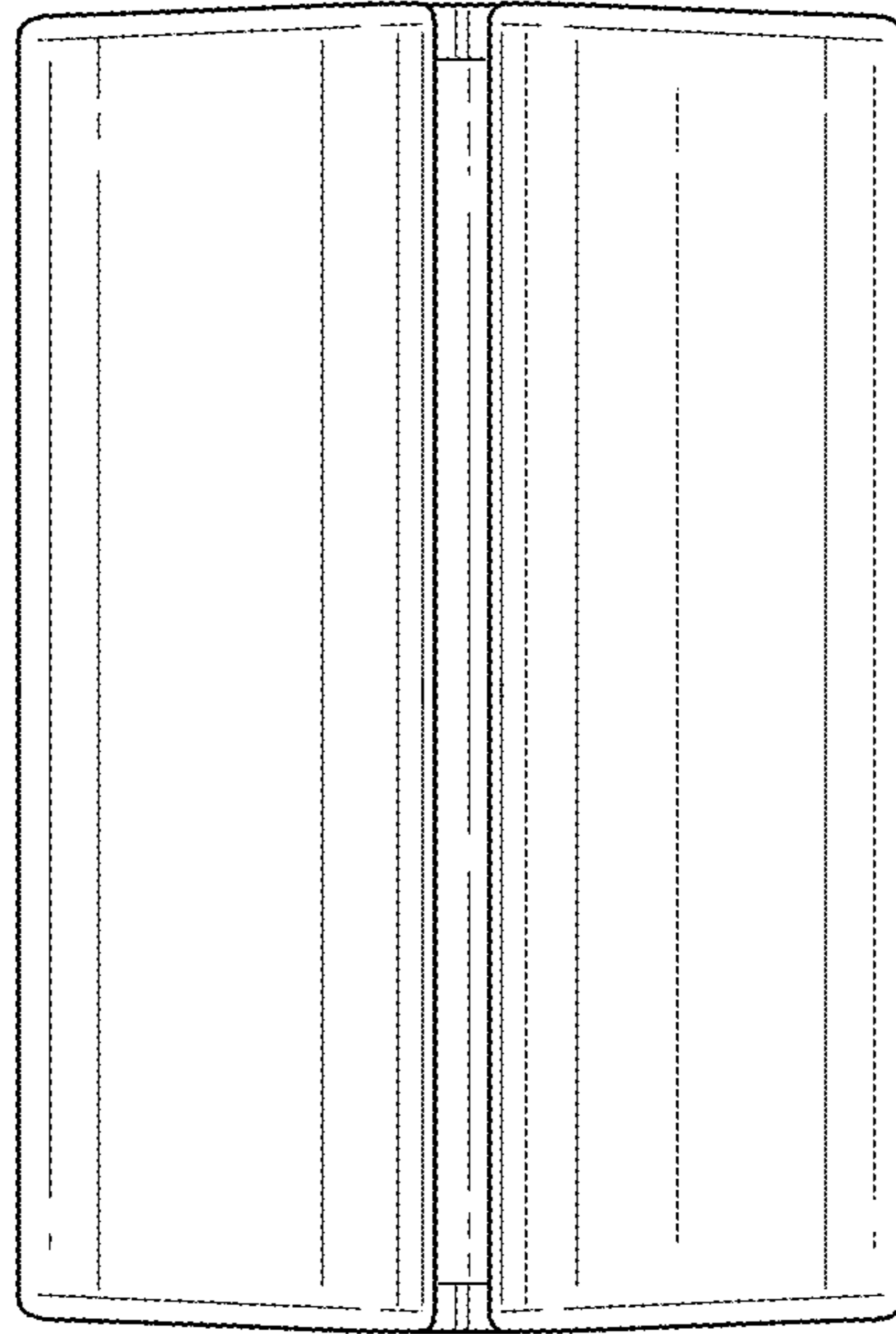


FIG. 5

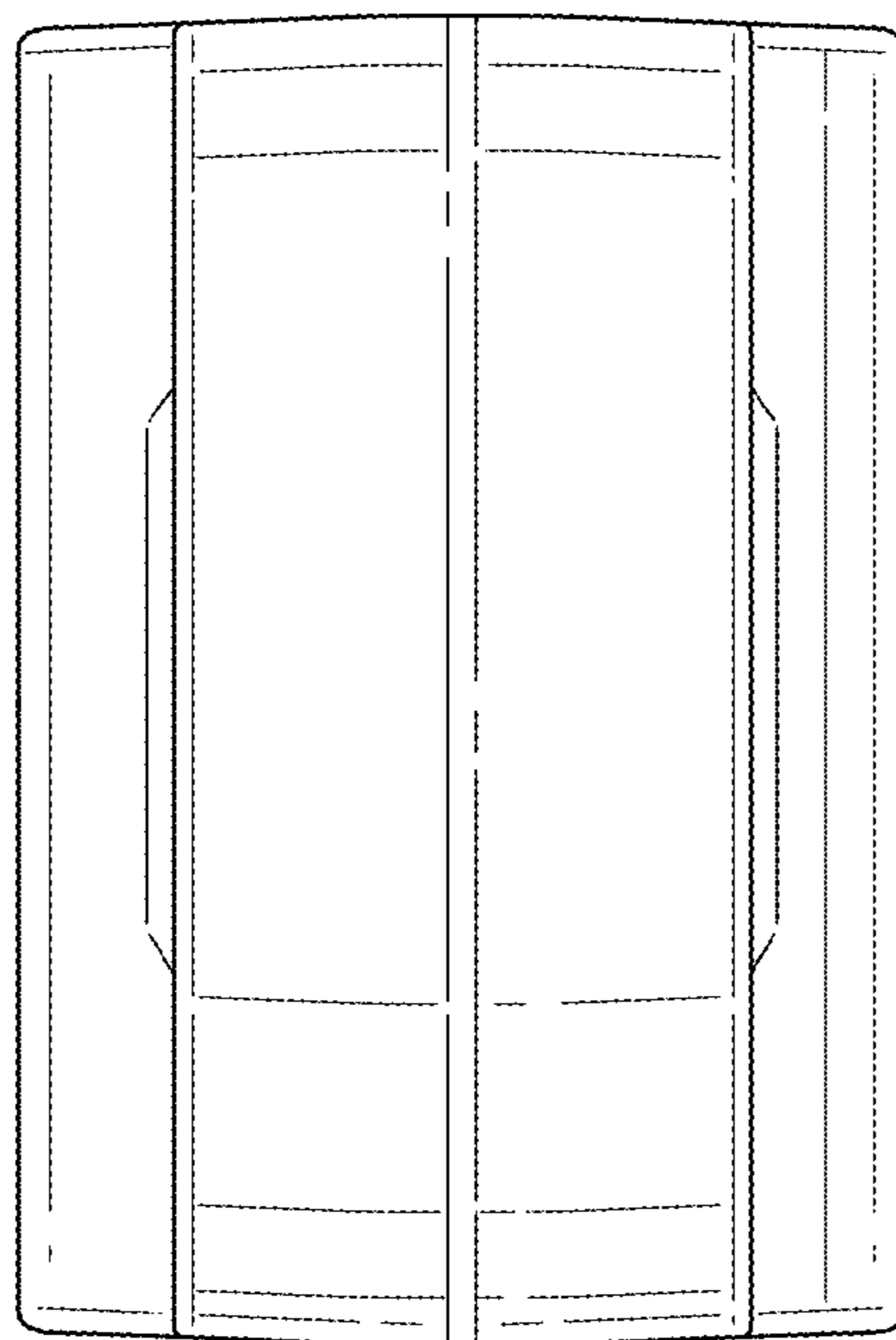


FIG. 6

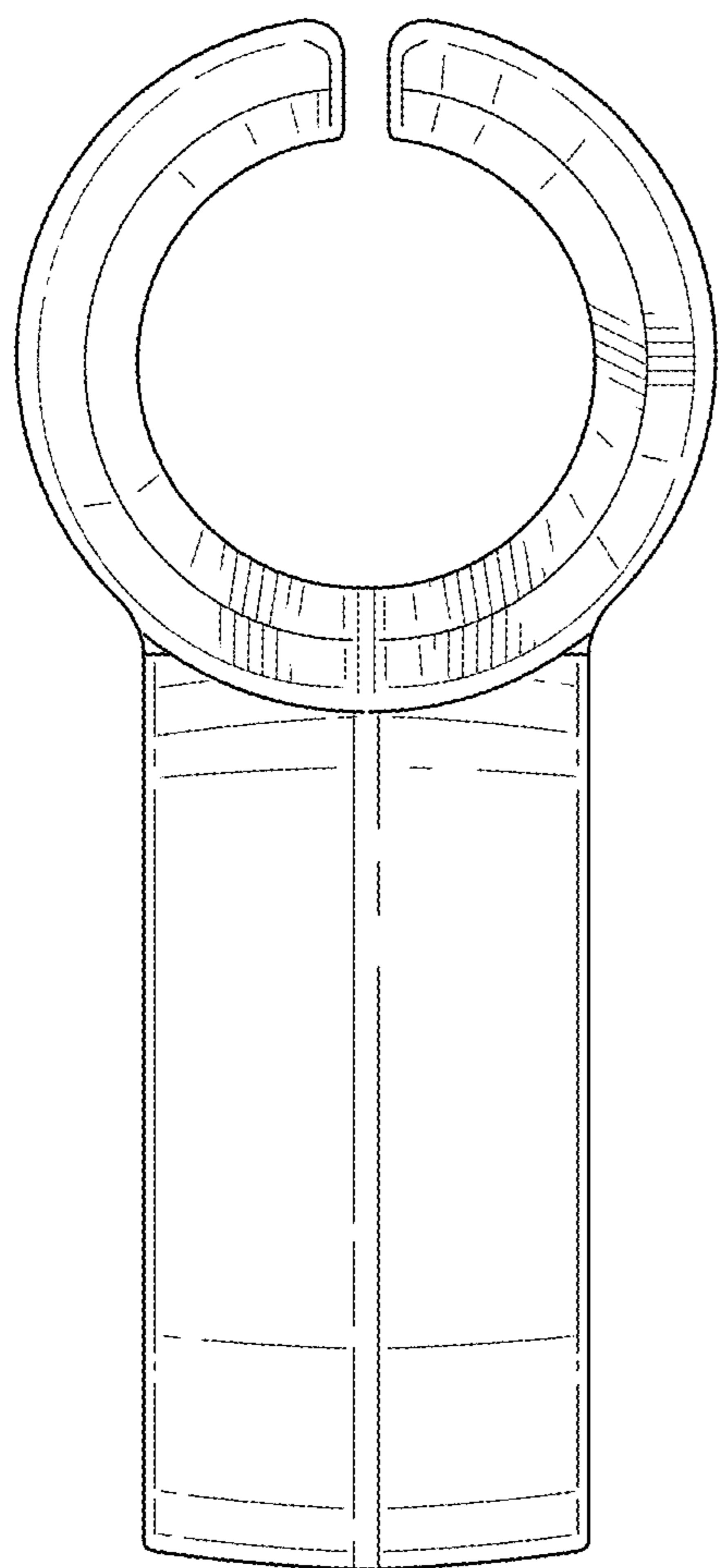


FIG. 7

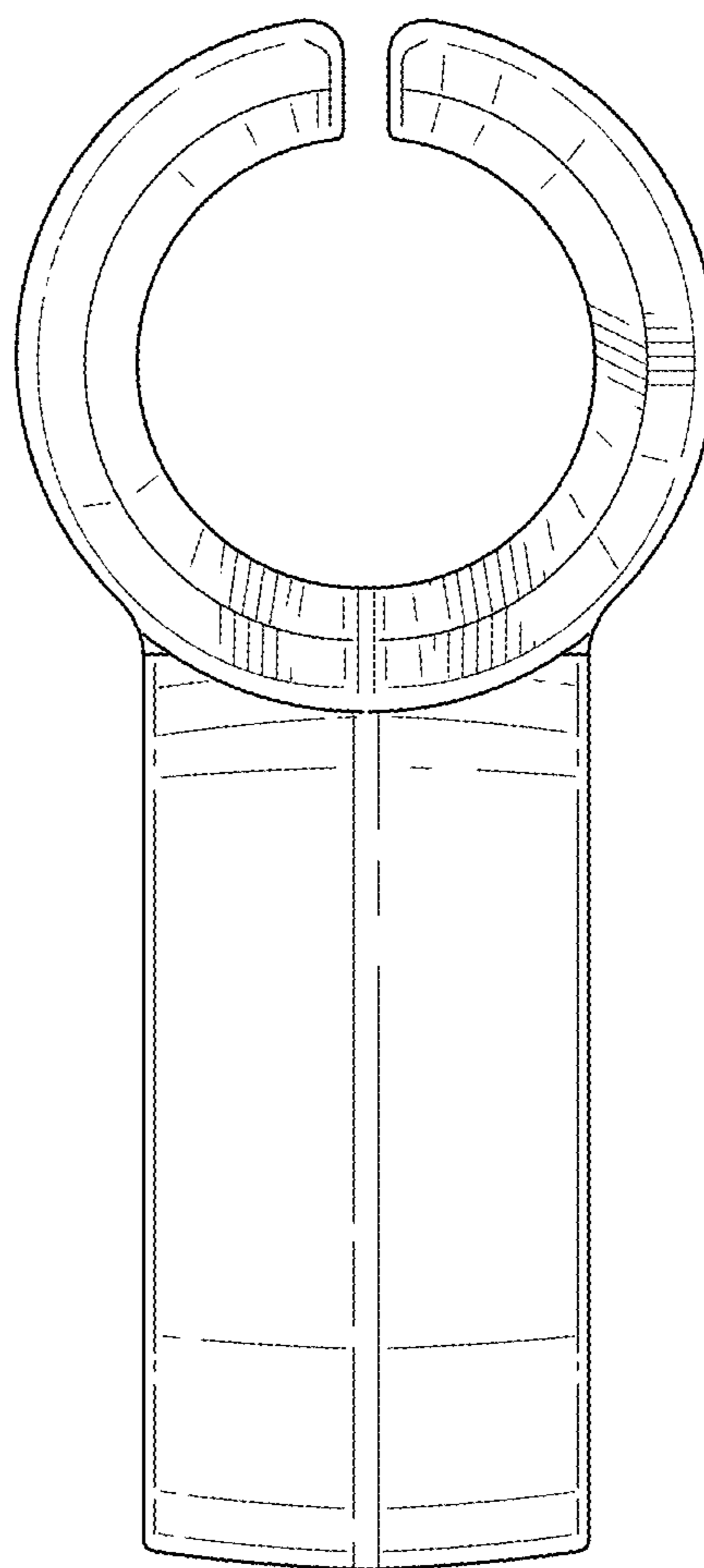


FIG. 8