



US00D815191S

(12) **United States Design Patent**  
**Cohen**

(10) **Patent No.:** **US D815,191 S**  
(45) **Date of Patent:** **\*\* Apr. 10, 2018**

(54) **REHAIRING TOOL FOR STRINGED INSTRUMENT BOWS**

<URL: <https://www.amazon.com/padded-surface-adjust-lengths-Violin/dp/B00HCLFM8U>> (Year: 2013).\*

(71) Applicant: **Donald M. Cohen**, Alexandria, VA (US)

\* cited by examiner

(72) Inventor: **Donald M. Cohen**, Alexandria, VA (US)

*Primary Examiner* — Sheryl Lane

*Assistant Examiner* — Samantha N Wood

(74) *Attorney, Agent, or Firm* — Maier & Maier, PLLC

(\*\*) Term: **15 Years**

(21) Appl. No.: **29/583,321**

(57) **CLAIM**

(22) Filed: **Nov. 4, 2016**

The ornamental design for a rehairing tool for stringed instrument bows, as shown and described.

(51) **LOC (11) Cl.** ..... **17-03**

(52) **U.S. Cl.**  
USPC ..... **D17/20**

(58) **Field of Classification Search**

**DESCRIPTION**

USPC ..... D17/14, 17, 20, 24, 99; D25/199;  
D8/44, 51, 52, 105–107, 499, 16;  
D10/70–71; D19/101, 108, 37, 65  
CPC .. G10D 1/00; G10D 1/02; G10D 3/10; G10D  
3/143; G10D 3/16; G10D 3/163; G10D  
3/166

See application file for complete search history.

FIG. 1 is a perspective view of a rehairing tool for stringed instrument bows, showing my design;  
FIG. 2 is a right side elevational view thereof;  
FIG. 3 is a left side elevational view thereof;  
FIG. 4 is a front elevational view thereof;  
FIG. 5 is a rear elevational view thereof;  
FIG. 6 is a top plan view thereof;  
FIG. 7 is a bottom plan view thereof;  
FIG. 8 is a right side elevational view thereof with the sliding insert in an extended position and the pivoting arm in an alternate position;  
FIG. 9 is a left side elevational view thereof;  
FIG. 10 is a front elevational view thereof;  
FIG. 11 is a rear elevational view thereof;  
FIG. 12 is a top plan view thereof;  
FIG. 13 is a bottom plan view thereof; and,  
FIG. 14 is a perspective view of the rehairing tool for stringed instrument bows in an exemplary environment.  
The dash-dash-dash broken line showing in the Figures illustrates portions of the rehairing tool for stringed instrument bows and forms no part of the claimed design. The dash-dot-dash broken line showing in the Figures illustrates environment and forms no part of the claimed design.

(56) **References Cited**

**U.S. PATENT DOCUMENTS**

D58,482 S \* 7/1921 Helin ..... D8/105  
D58,768 S \* 8/1921 Knell ..... D17/20  
2,492,017 A \* 12/1949 Straton ..... G10D 3/16  
84/282  
9,076,412 B1 \* 7/2015 Rolling ..... G10D 3/146

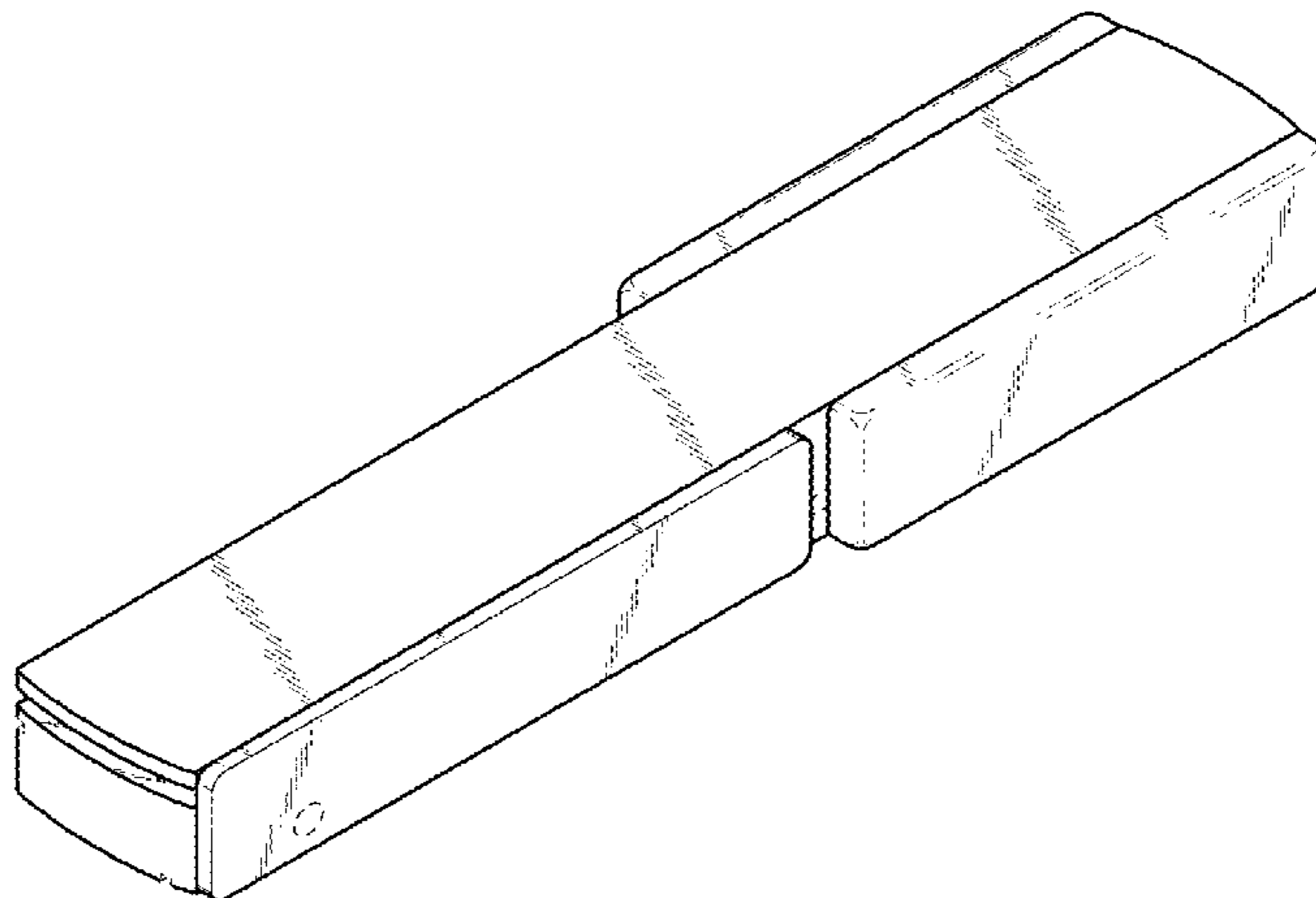
**FOREIGN PATENT DOCUMENTS**

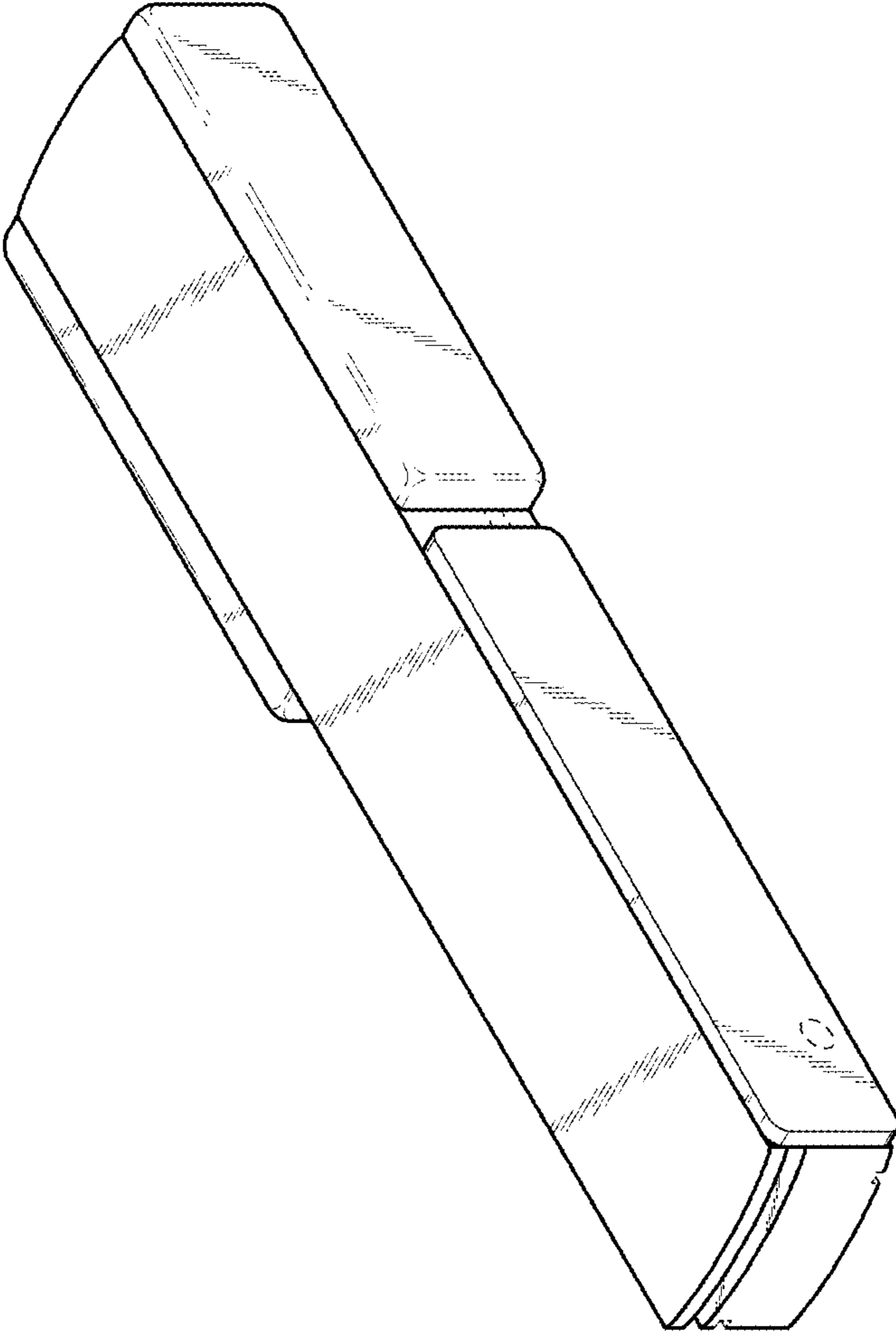
EP 2590160 A2 \* 5/2013 ..... G10D 3/16  
FR 373832 A \* 5/1907 ..... G10D 3/10  
FR 2293027 A1 \* 6/1976 ..... G10D 3/16  
WO WO-2015198237 A1 \* 12/2015 ..... G10D 1/02

**OTHER PUBLICATIONS**

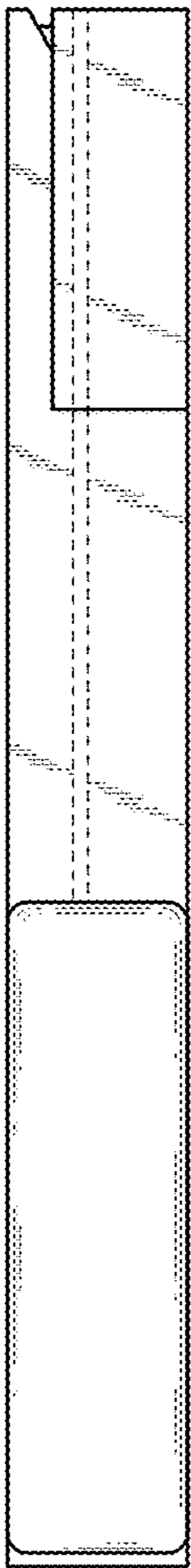
Amazon, Juzek Bow Re Hair Jig, first available Dec. 16, 2013, [online], [site visited on Jan. 29, 2018]. Available from Internet,

**1 Claim, 7 Drawing Sheets**

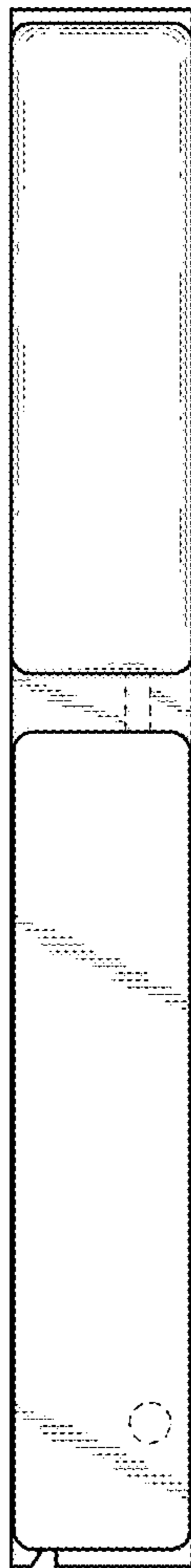




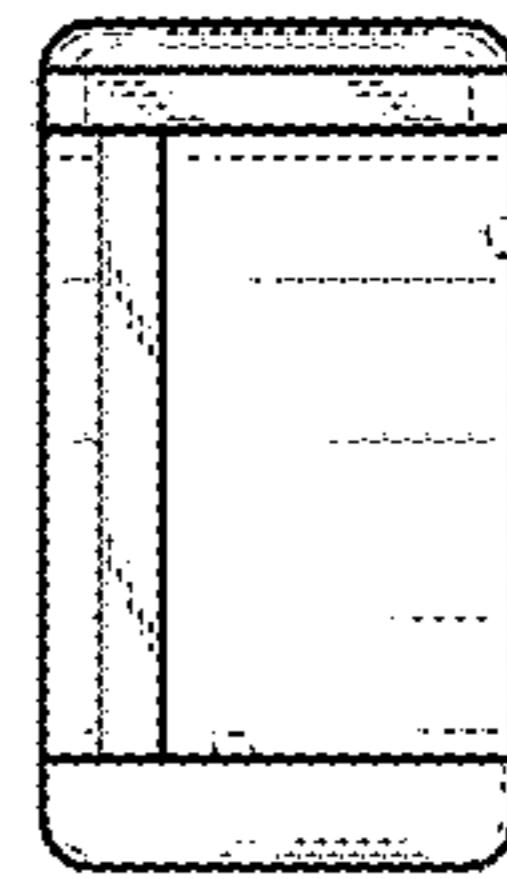
*Fig. 1*



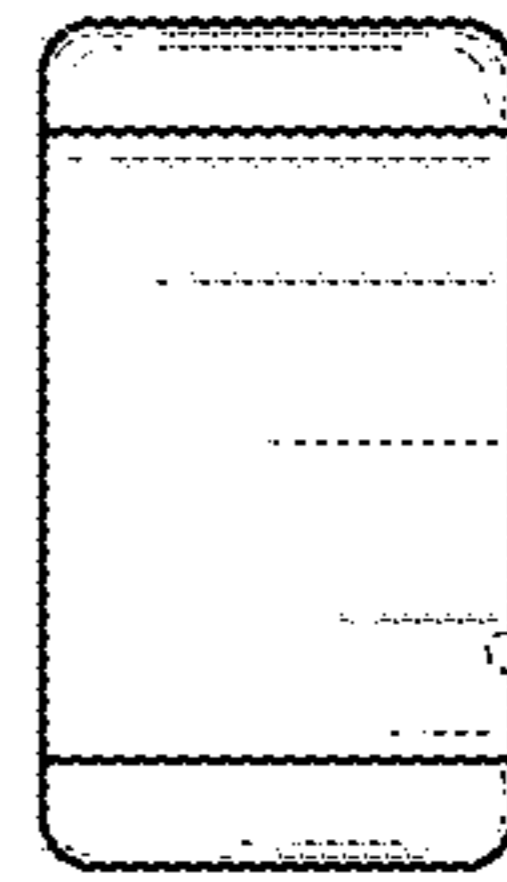
*Fig. 2*



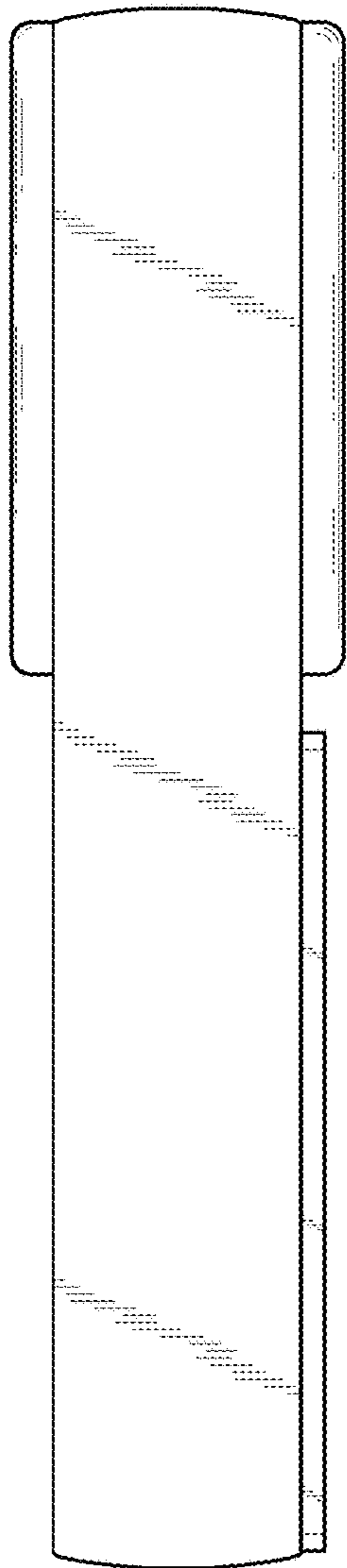
*Fig. 3*



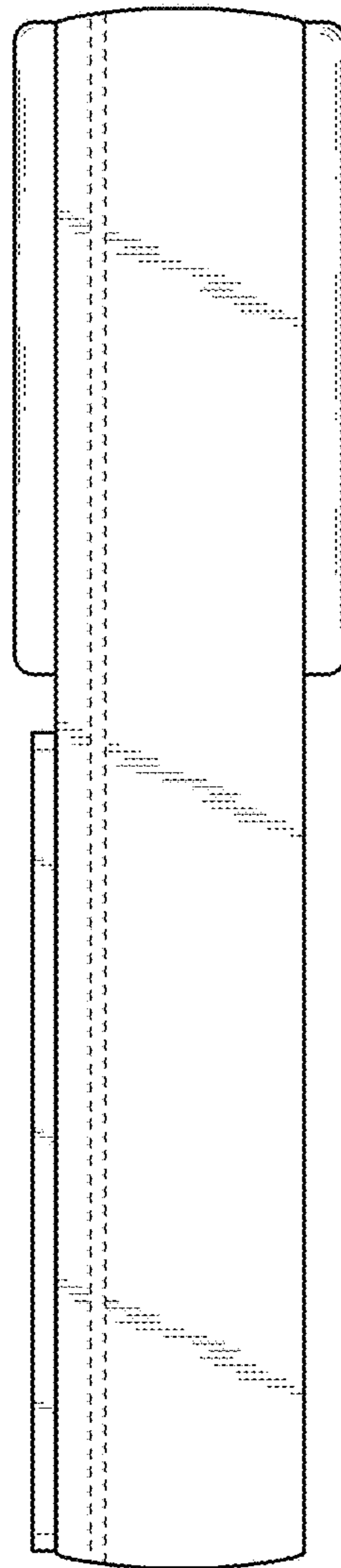
*Fig. 4*



*Fig. 5*



*Fig. 6*



*Fig. 7*

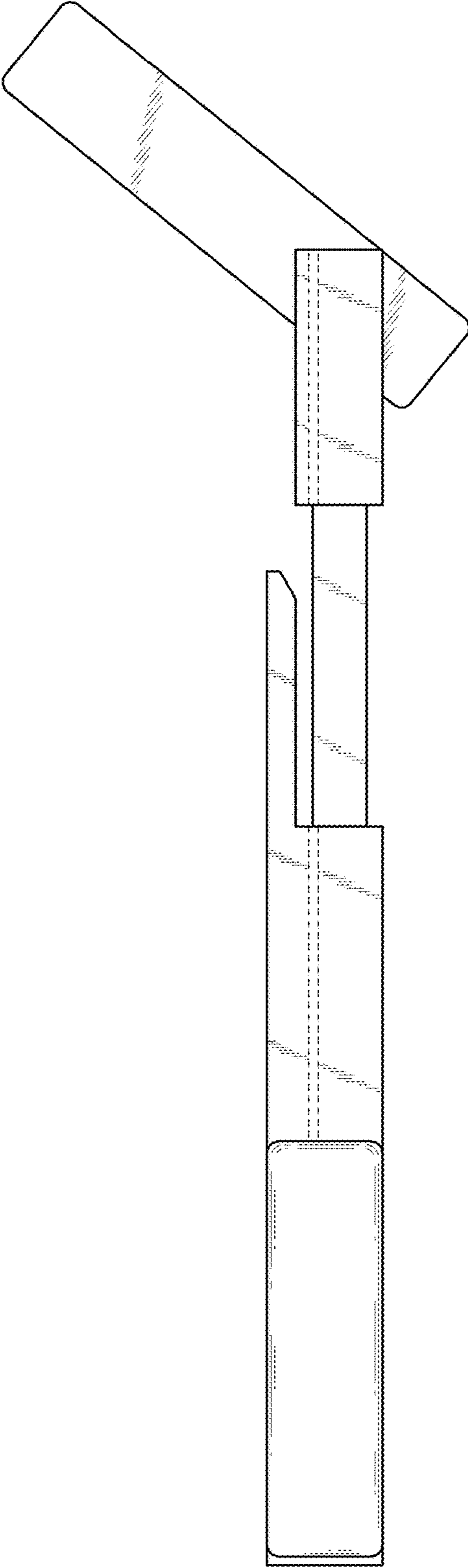


Fig. 8

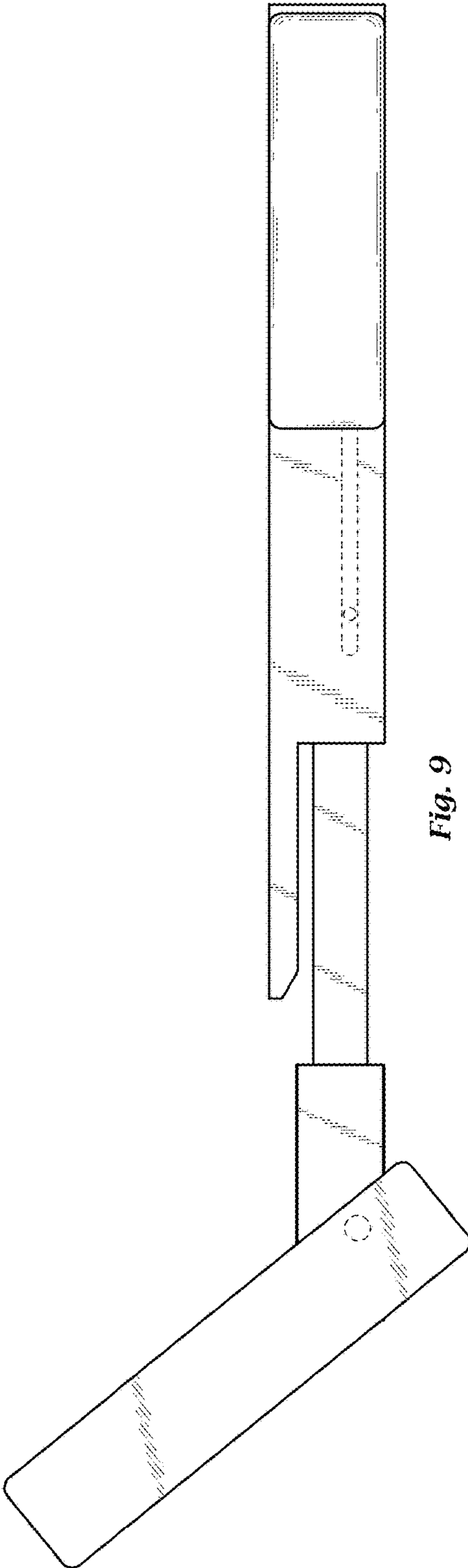
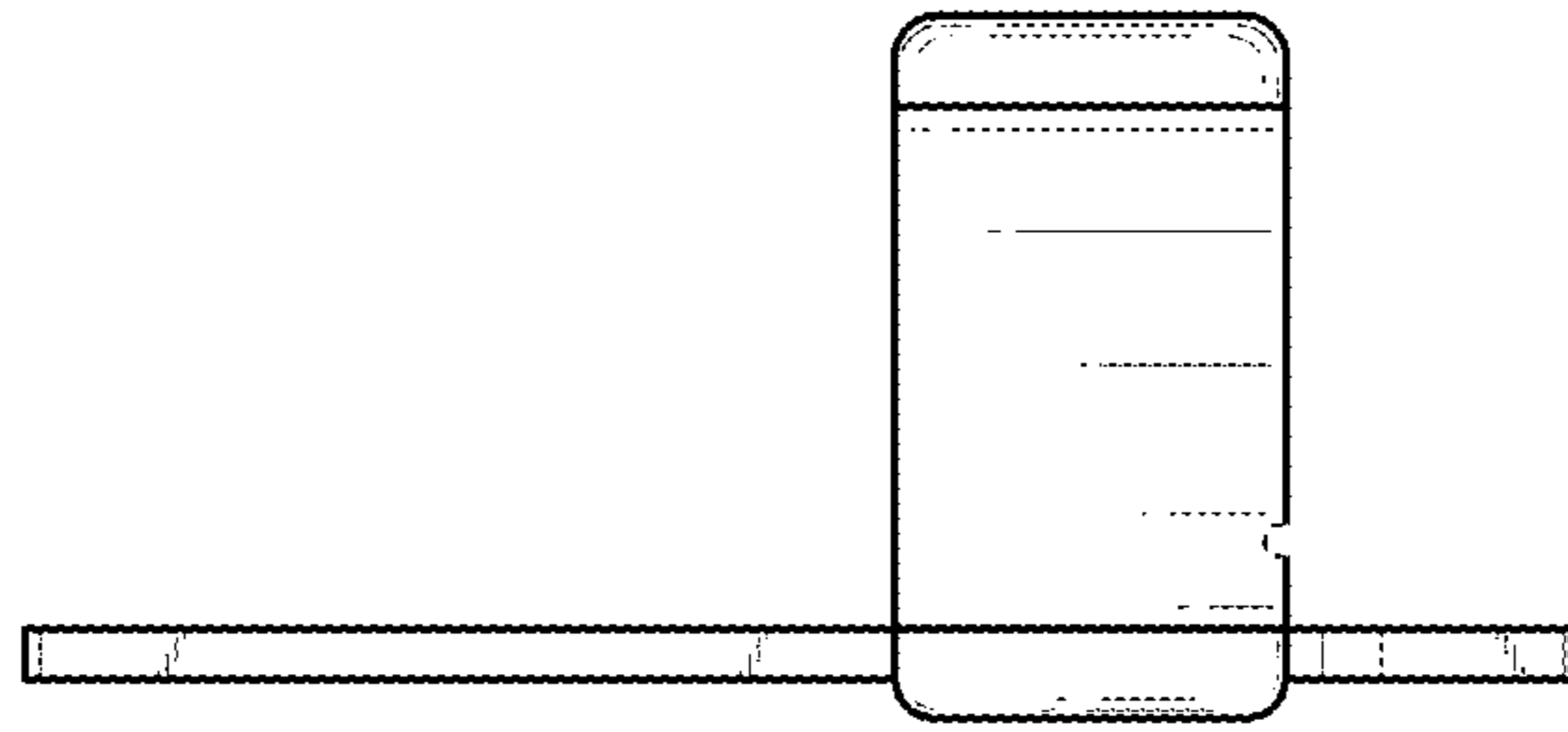
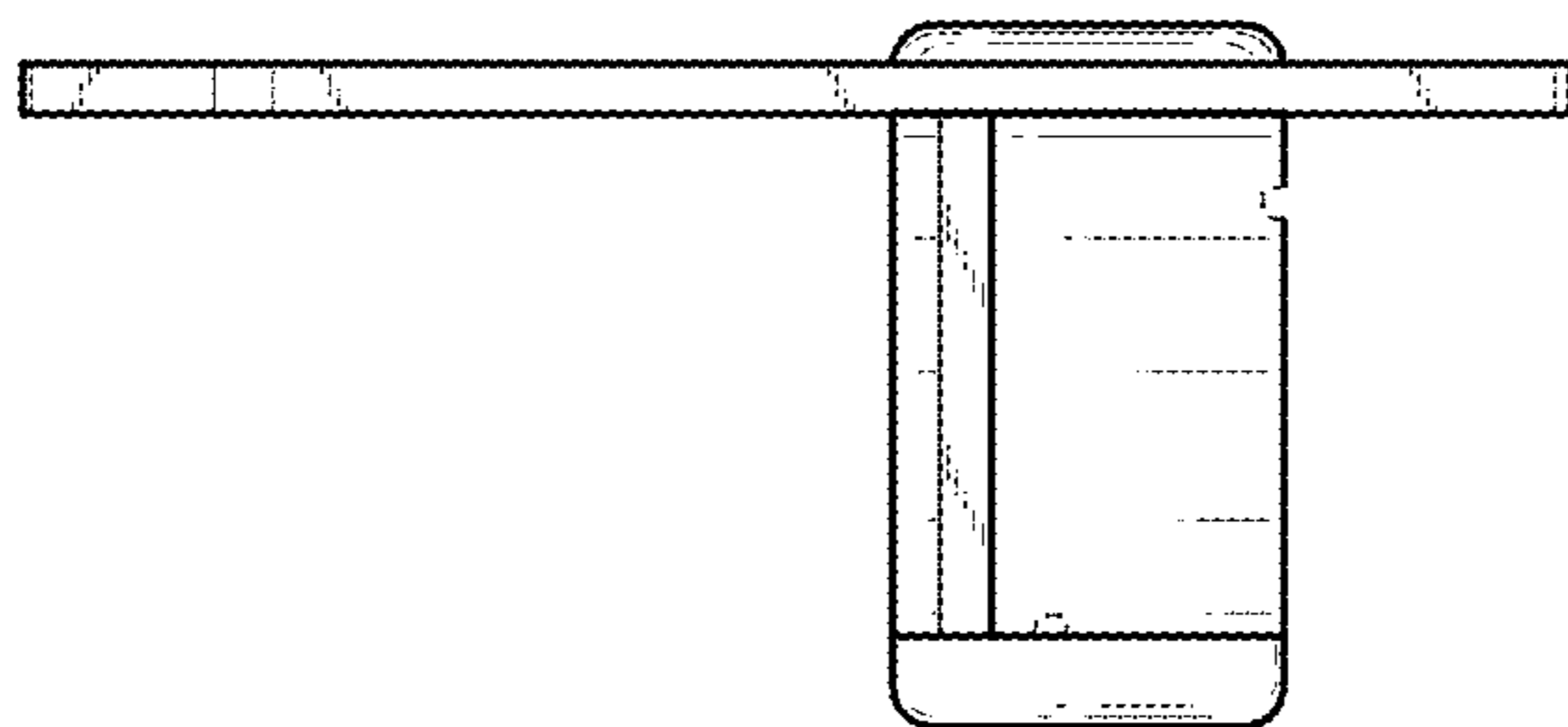


Fig. 9

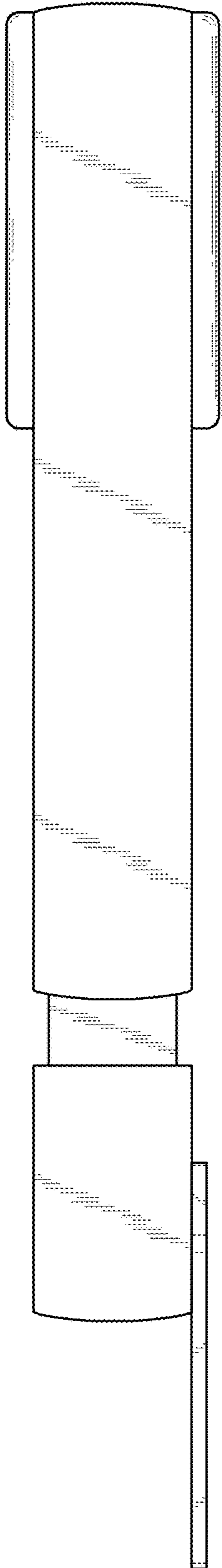


*Fig. 11*

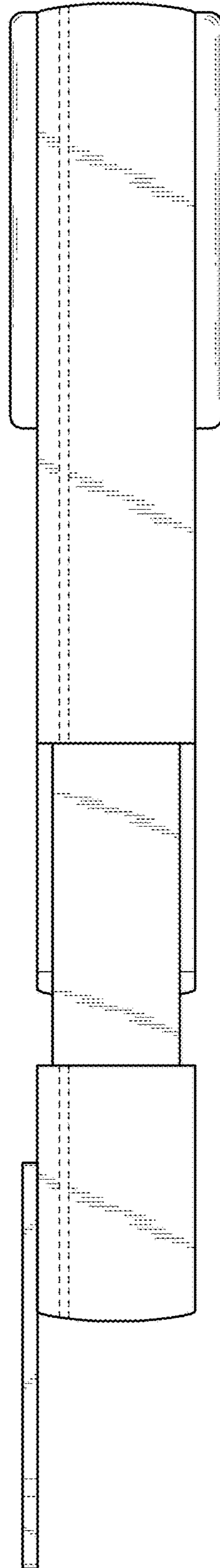


*Fig. 10*





*Fig. 12*



*Fig. 13*

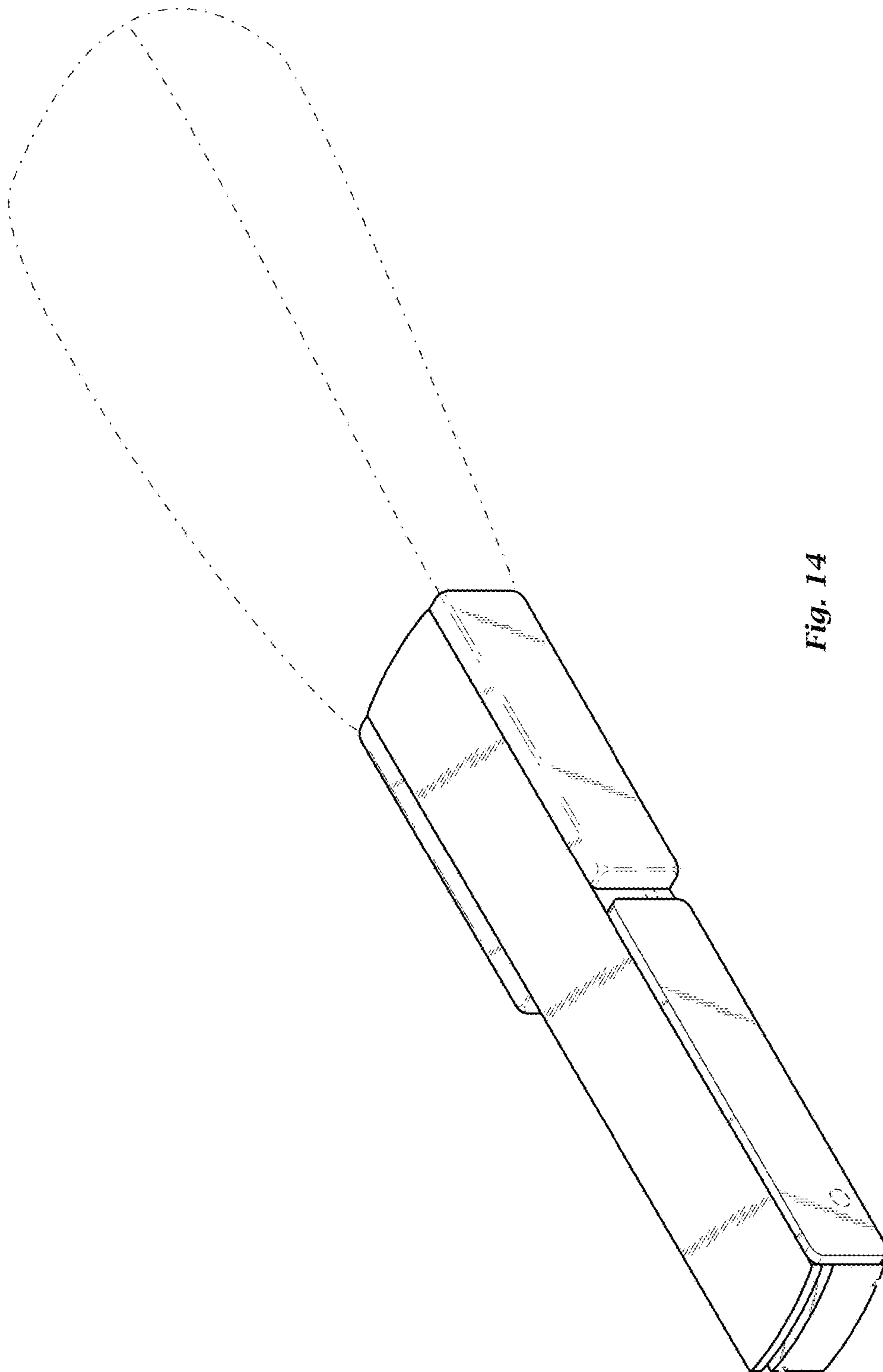


Fig. 14