



US00D815184S

(12) **United States Design Patent** (10) **Patent No.:** **US D815,184 S**
Gu (45) **Date of Patent:** **** Apr. 10, 2018**

(54) **CAMERA BRACKET TO CONNECT RIFLESCOPE**

(71) Applicant: **Ningbo Qihang Optics Instrument Co., Ltd.**, Yuyao, Zhejiang (CN)

(72) Inventor: **Linsong Gu**, Zhejiang (CN)

(73) Assignee: **Ningbo Qihang Optics Instrument Co., Ltd.**, Yuyao (CN)

(**) Term: **15 Years**

(21) Appl. No.: **29/591,205**

(22) Filed: **Jan. 18, 2017**

(51) **LOC (11) Cl.** **16-05**

(52) **U.S. Cl.**
USPC **D16/242**; D22/108

(58) **Field of Classification Search**
USPC D14/224, 229, 238, 251, 253, 433, 434, D14/447, 451; D16/219, 237-250; D8/354-356, 363, 367-371, 373, D8/382-383, 394-396; D22/108, 110
CPC G03B 17/56; G03B 17/561-17/568; G02B 7/00-7/002; H04N 5/2253-5/2254; F16M 11/04-11/12; A45F 2200/0508-2200/0533; A45F 5/00; A45F 5/10

See application file for complete search history.

(56) **References Cited**

U.S. PATENT DOCUMENTS

- 4,059,872 A * 11/1977 Delesandri F16L 3/1008 24/279
- D270,173 S * 8/1983 Bechtel D22/110
- D291,650 S * 9/1987 Monzen D24/128
- D298,760 S * 11/1988 Yoshida D16/242
- D299,693 S * 2/1989 Wick D4/199
- D302,518 S * 8/1989 Ellison D8/354
- D309,307 S * 7/1990 Sigurdson 381/86
- D342,537 S * 12/1993 Olson D16/132
- D389,334 S * 1/1998 Attridge D3/10

- D415,017 S * 10/1999 Lo D8/396
- D503,333 S * 3/2005 Ledingham D8/394
- D523,736 S * 6/2006 Lu D8/373
- D543,834 S * 6/2007 Worthy D8/354
- D585,516 S * 1/2009 Smith D22/108
- D609,770 S * 2/2010 Mulfinger D22/110
- D659,220 S * 5/2012 Foltz D22/108
- D678,043 S * 3/2013 Lu D8/373
- D681,767 S * 5/2013 Li D22/108
- D693,423 S * 11/2013 Beckett D22/108
- D721,950 S * 2/2015 Quinlan D8/396
- D735,385 S * 7/2015 Lee D26/63
- D754,001 S * 4/2016 Barrier D7/622

OTHER PUBLICATIONS

FSB-5060 Finder Scope Bracket with 50mm-60mm Sleeve. [online] Published on Mar. 28, 2015. Retrieved Jan. 22, 2018 from URL:http://starlightinstruments.com/store/index.php?route=product/product&product_id=77.*

* cited by examiner

Primary Examiner — Vy N Koenig

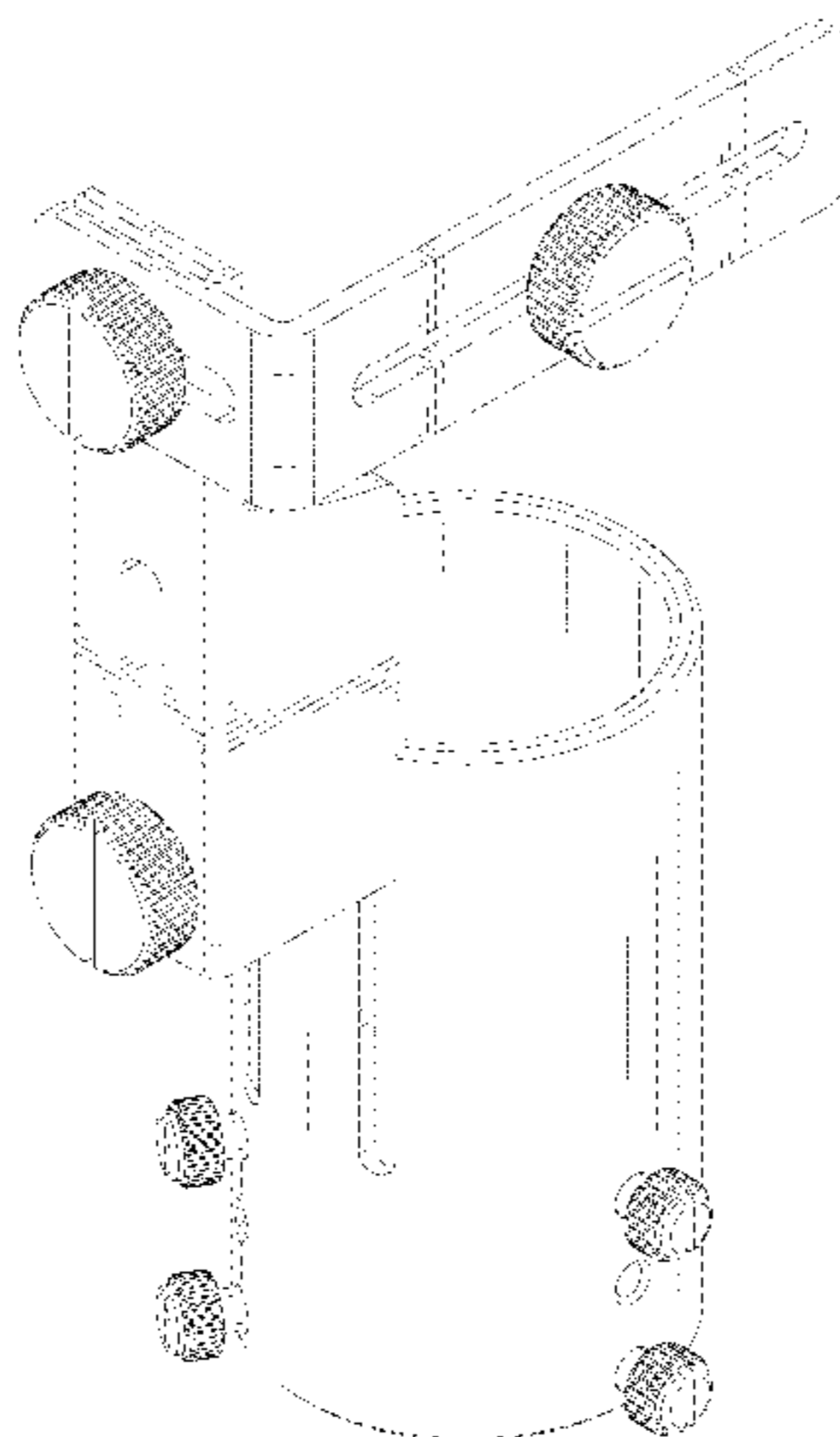
(57) **CLAIM**

The ornamental design for a camera bracket to connect rifle scope, as shown and described.

DESCRIPTION

FIG. 1 is a front elevational view of a camera bracket to connect rifle scope showing my new design;
FIG. 2 is a rear elevational view thereof;
FIG. 3 is a left side view thereof;
FIG. 4 is a right side view thereof;
FIG. 5 is a top plan view thereof;
FIG. 6 is a bottom plan view thereof;
FIG. 7 is a top, left and front perspective view thereof;
FIG. 8 is a top, right and rear perspective view thereof;
FIG. 9 is a bottom, right and rear perspective view thereof;
and,
FIG. 10 is bottom, left and front perspective view thereof.

1 Claim, 10 Drawing Sheets



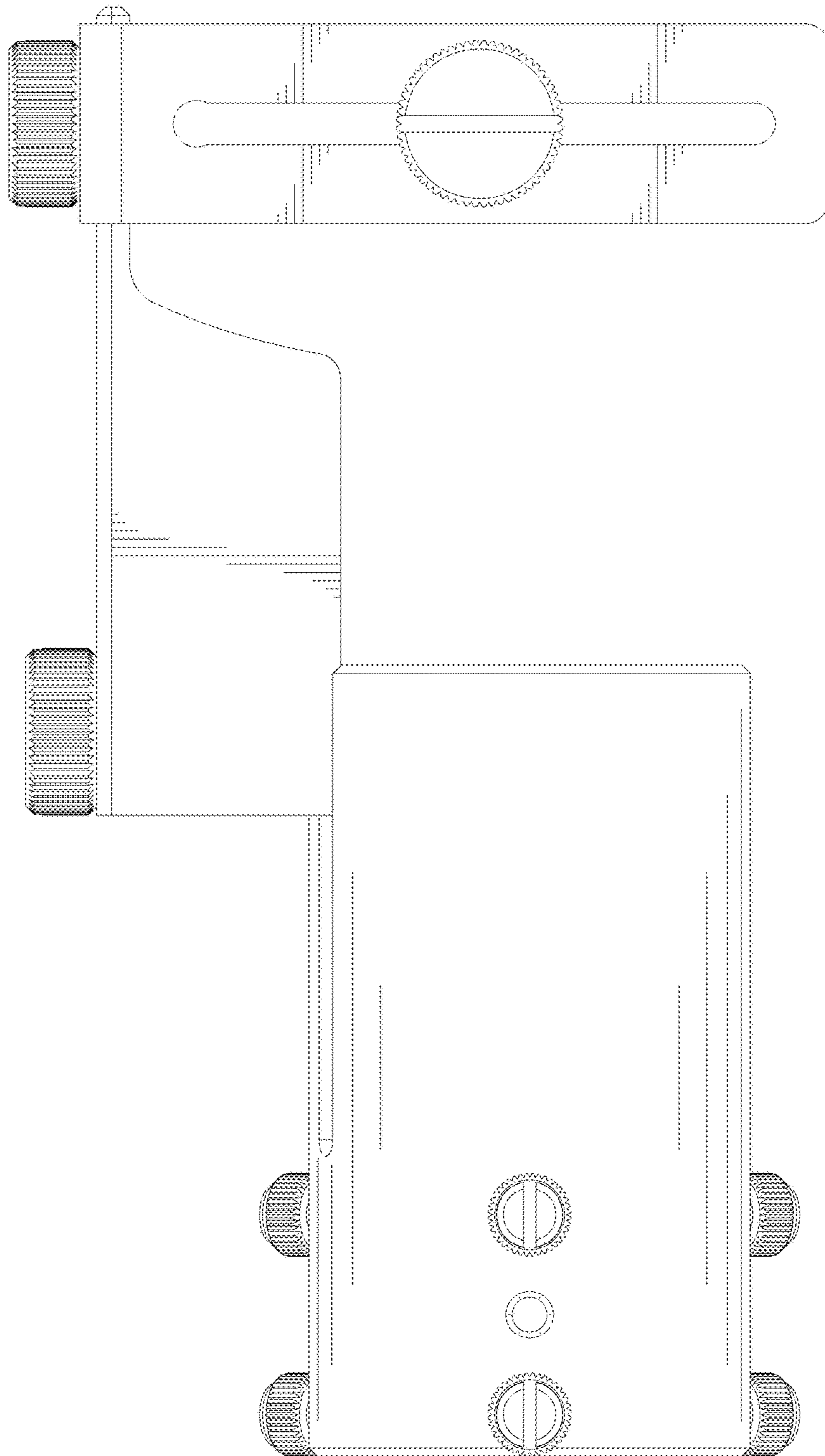


Fig. 1

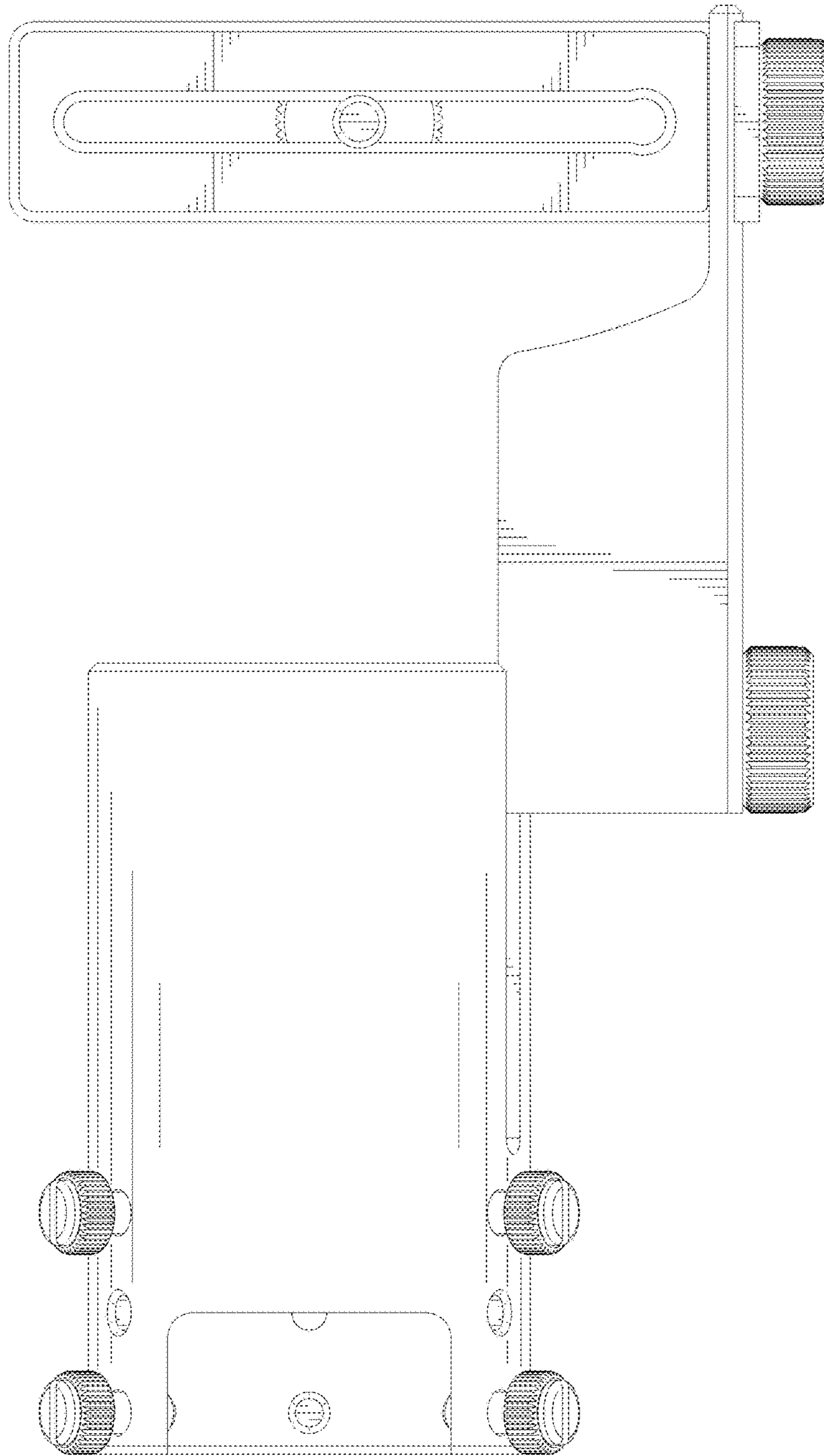


Fig. 2

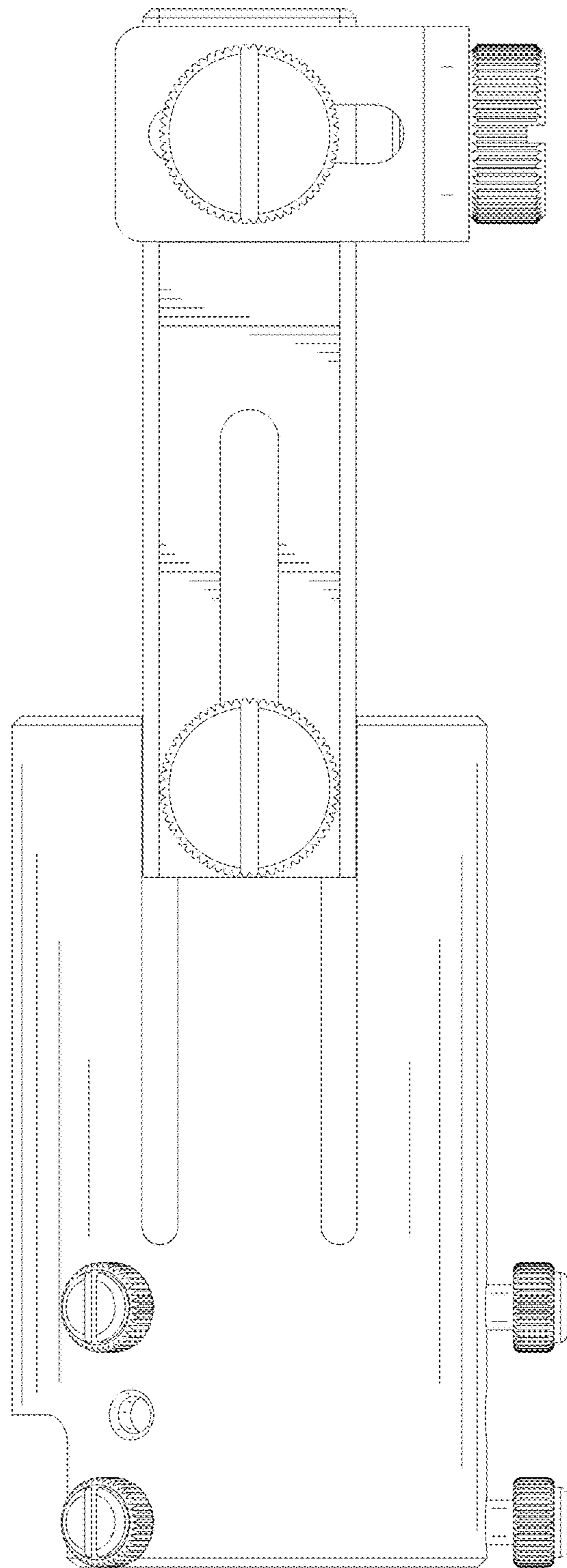


Fig. 3

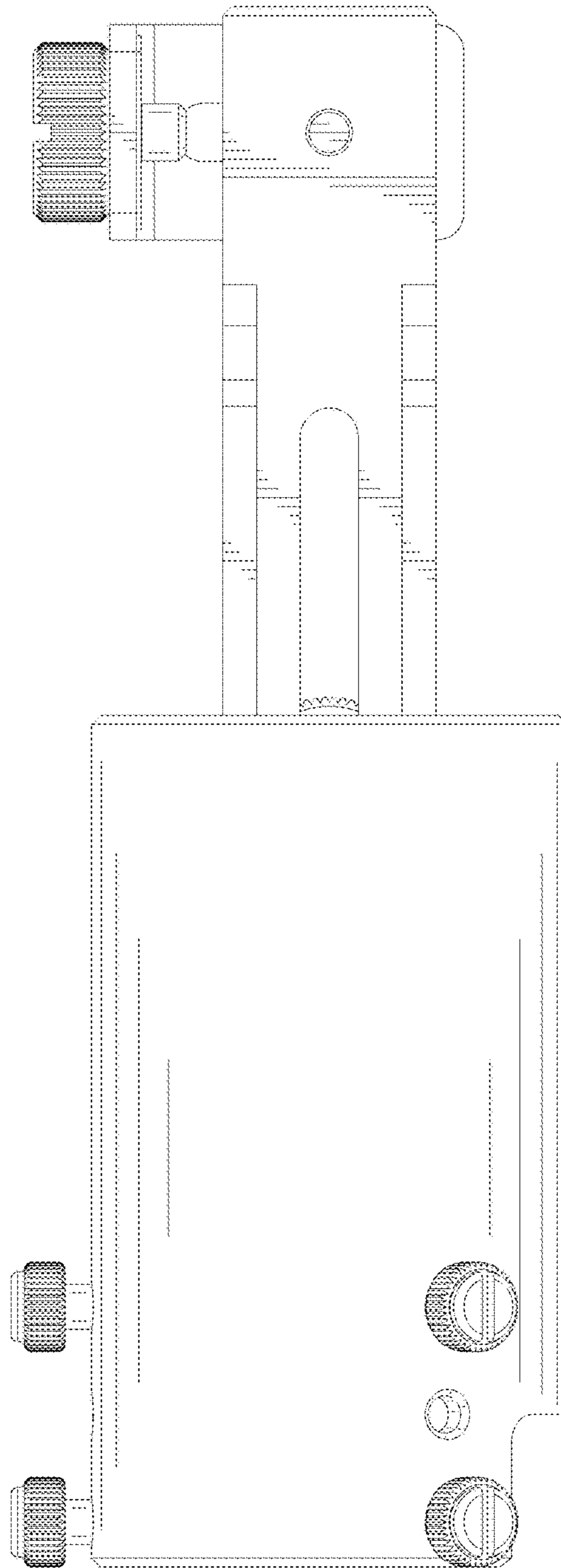


Fig. 4

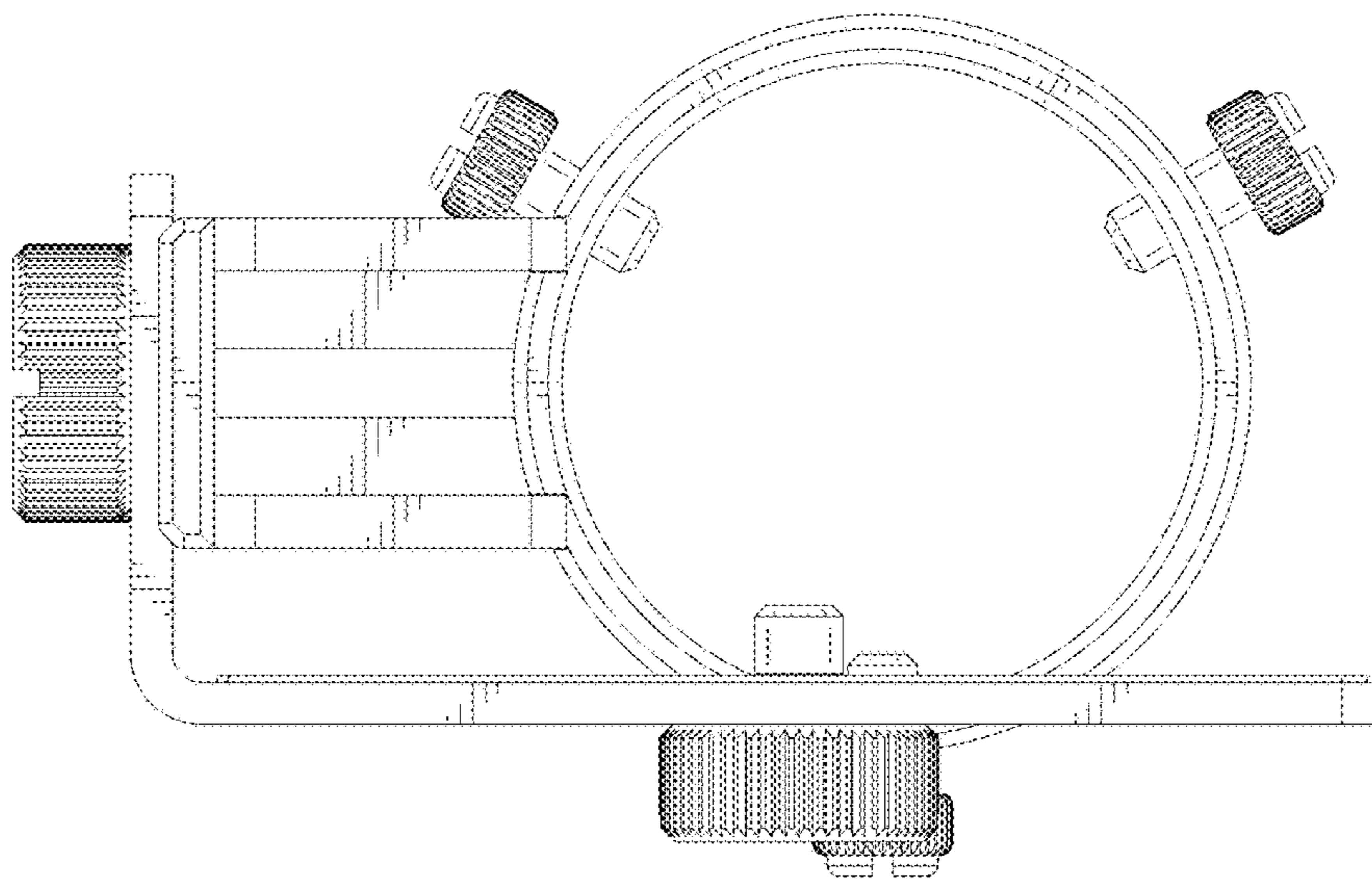


Fig. 5

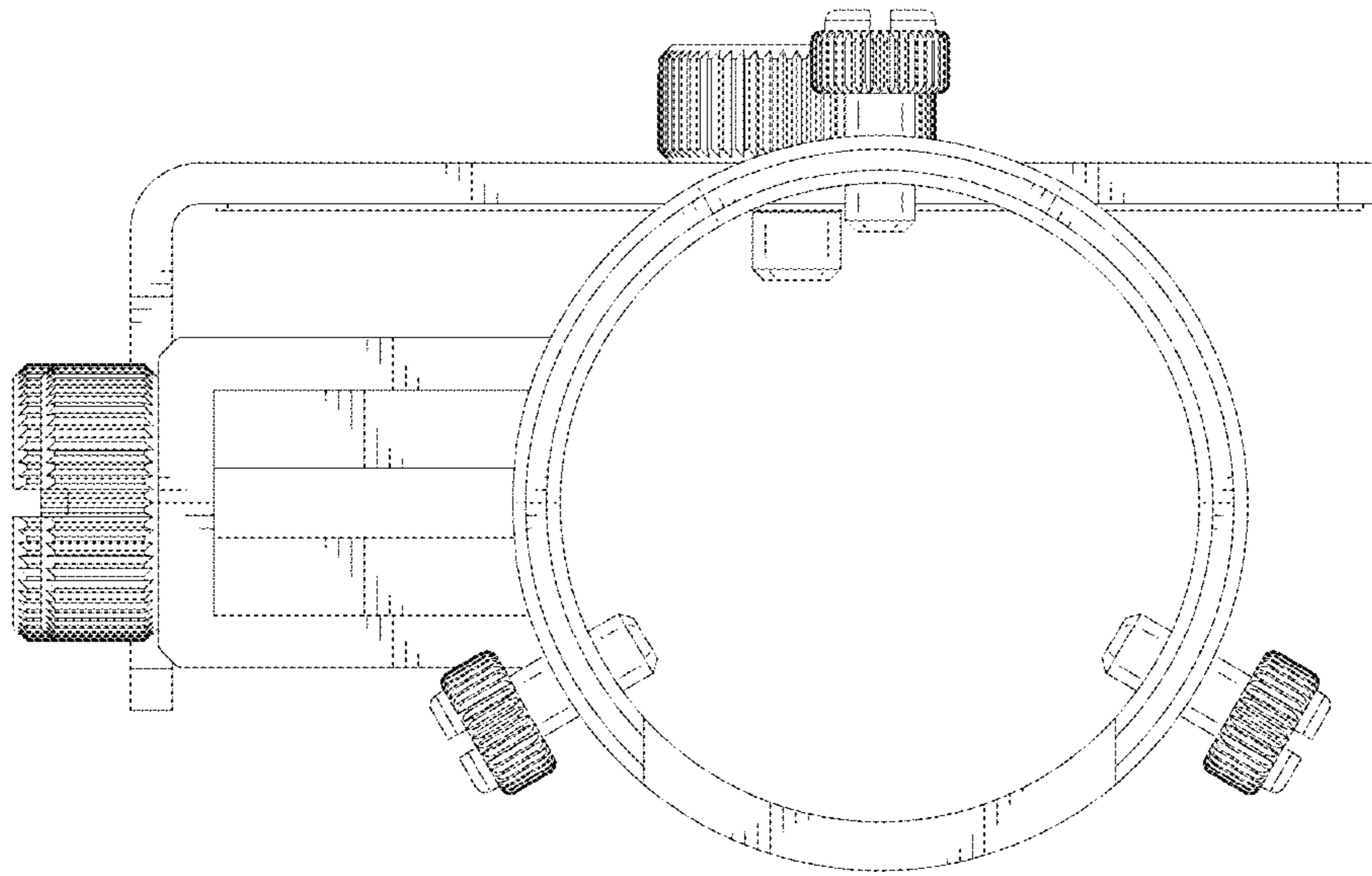


Fig. 6

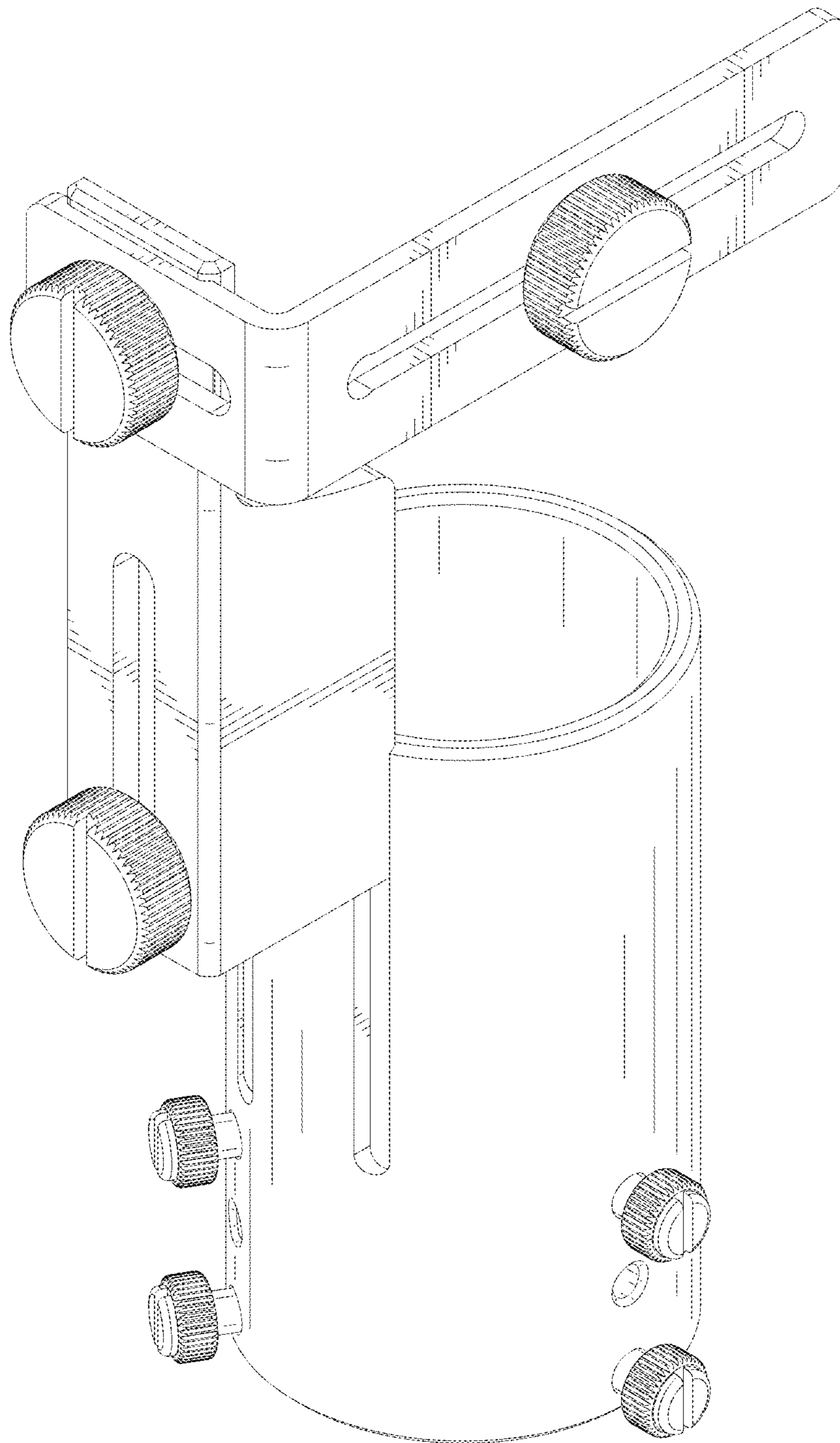


Fig. 7

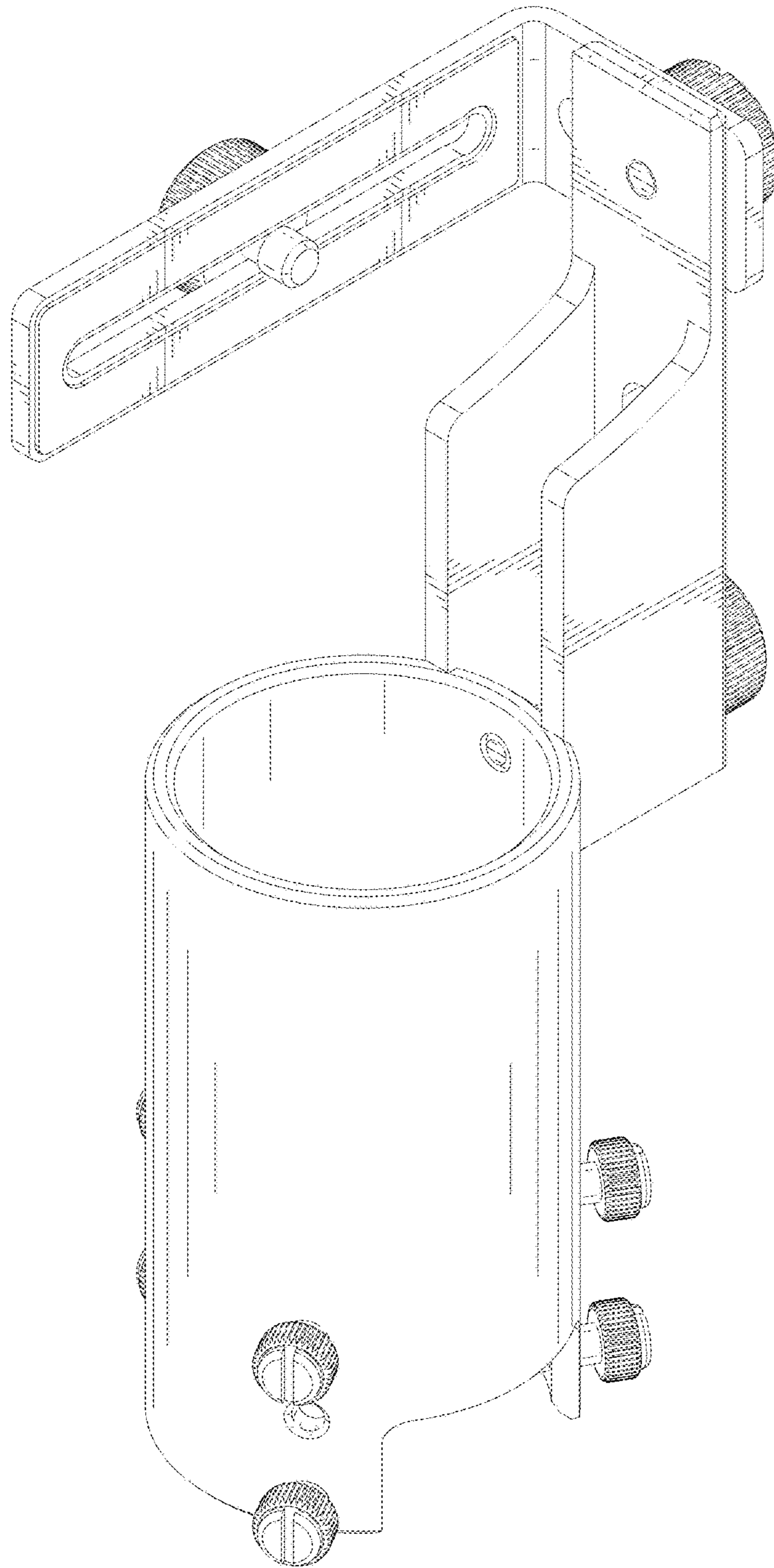


Fig. 8

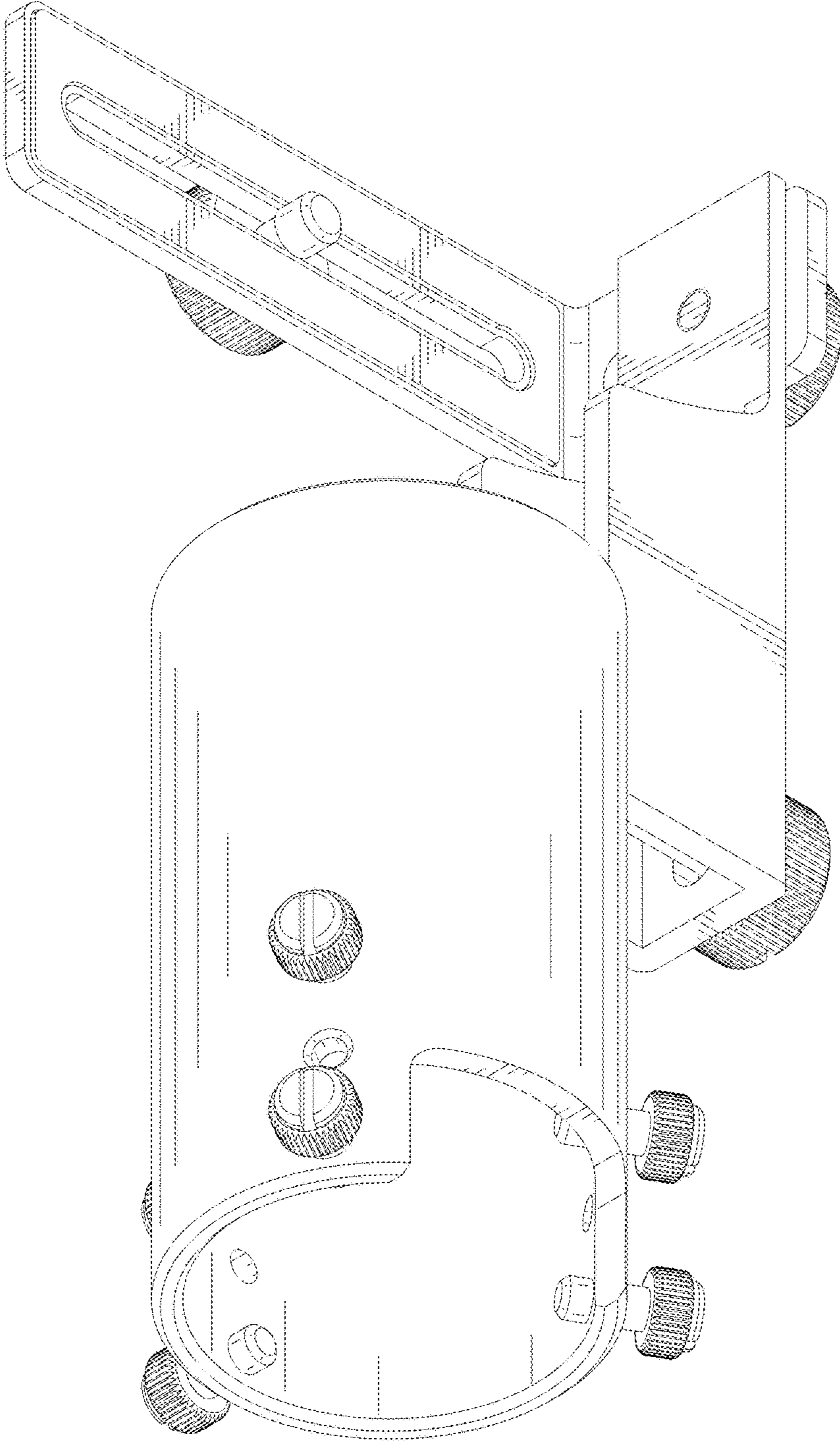


Fig. 9

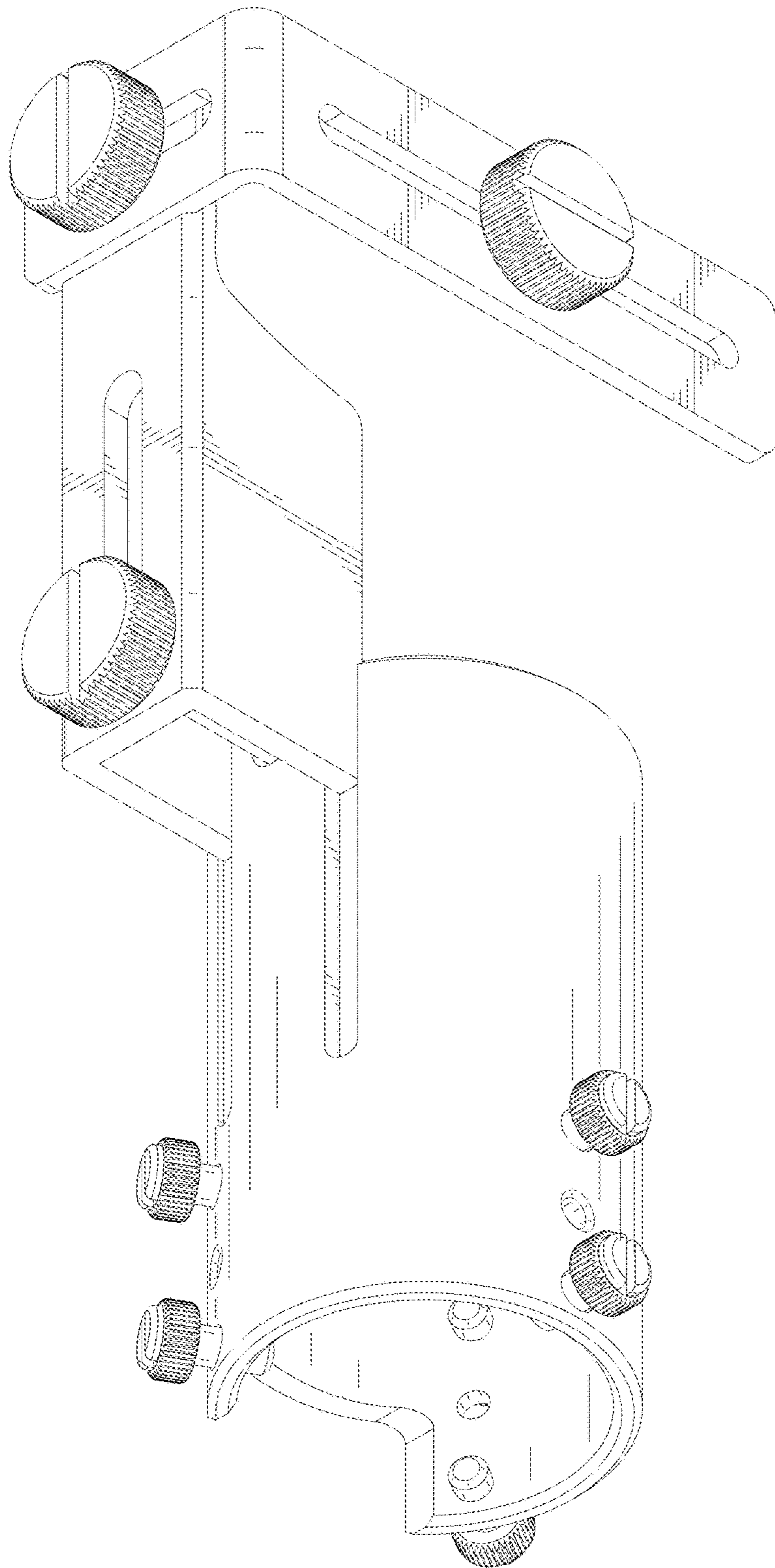


Fig. 10