



US00D815180S

(12) **United States Design Patent**  
**Kim et al.**

(10) **Patent No.:** **US D815,180 S**  
(45) **Date of Patent:** **\*\* Apr. 10, 2018**

- (54) **HANDLE FOR CAMERA OR THE LIKE**
- (71) Applicant: **SZ DJI Osmo Technology Co., Ltd.**,  
Shenzhen (CN)
- (72) Inventors: **Min Kim**, Shenzhen (CN); **Haibin Zheng**, Shenzhen (CN)
- (73) Assignee: **SZ DJI Osmo Technology Co., Ltd.**,  
Shenzhen (CN)

8,274,273 B2 \* 9/2012 Nguyen ..... H01M 2/1055  
173/170  
D694,802 S \* 12/2013 Coyle ..... D16/237  
8,770,539 B1 \* 7/2014 Hsu ..... B60R 11/0241  
248/126  
D710,424 S \* 8/2014 Hallgren ..... D16/206  
D723,605 S \* 3/2015 Palm ..... D16/206  
D779,579 S \* 2/2017 Anari, III ..... D16/242

(Continued)

- (\*\*) Term: **15 Years**
- (21) Appl. No.: **29/575,749**
- (22) Filed: **Aug. 29, 2016**

**Related U.S. Application Data**

- (63) Continuation of application No. 29/548,624, filed on Dec. 15, 2015.

- (51) **LOC (11) Cl.** ..... **16-01**
- (52) **U.S. Cl.**  
USPC ..... **D16/206**

- (58) **Field of Classification Search**  
USPC ..... D16/200, 202–206, 208, 211, 214, 218,  
D16/219, 237, 242, 244; D14/130, 132,  
D14/144; D10/104.1, 104.2, 106.1,  
D10/106.2, 106.5; 348/164, 347,  
348/373–376; 396/535, 539–541;  
250/330, 332  
CPC ..... G03B 15/00; G03B 15/03; G03B 17/02;  
G03B 17/04; G03B 17/56; G03B 19/04;  
H04N 5/2251; H04N 5/2252; H04N  
5/2253; H04N 5/2254; H04N 2101/00;  
F16M 11/04; F16M 13/00

See application file for complete search history.

- (56) **References Cited**

**U.S. PATENT DOCUMENTS**

D445,817 S \* 7/2001 Okuley ..... D16/202  
D590,867 S \* 4/2009 Schenone ..... D16/206

**FOREIGN PATENT DOCUMENTS**

CN 302290466 1/2013  
CN 302661804 11/2013

(Continued)

*Primary Examiner* — Philip S Hyder  
*Assistant Examiner* — Ramzi Almatrahi  
(74) *Attorney, Agent, or Firm* — Sterne, Kessler,  
Goldstein & Fox P.L.L.C.

- (57) **CLAIM**

The ornamental design for a handle for camera or the like, as shown and described.

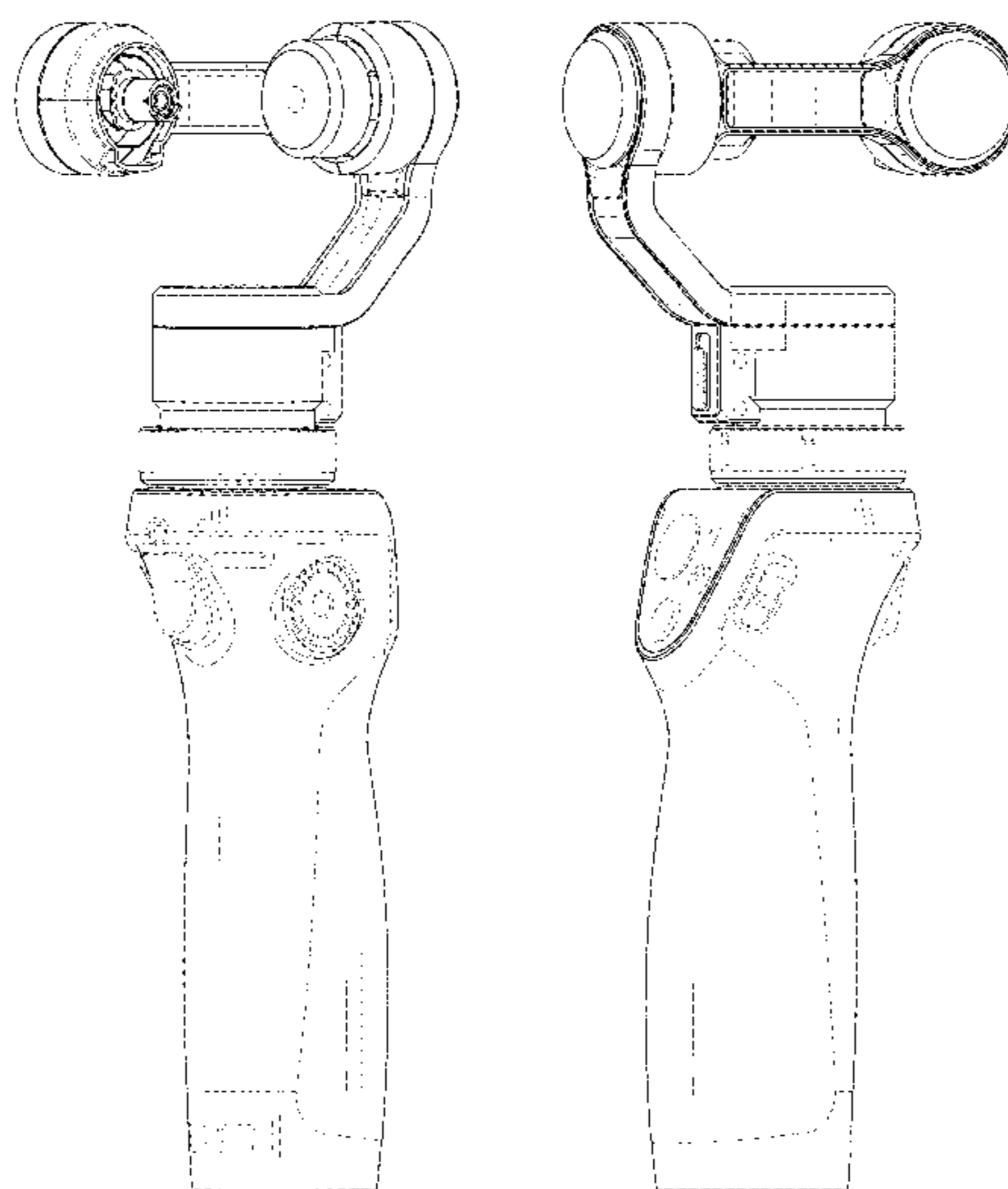
**DESCRIPTION**

FIG. 1 is a front perspective view of a handle for camera or the like showing the claimed design;  
FIG. 2 is a rear perspective view thereof;  
FIG. 3 is a rear view thereof;  
FIG. 4 is a front view thereof;  
FIG. 5 is a right side view thereof;  
FIG. 6 is a left side view thereof;  
FIG. 7 is a top view thereof; and,  
FIG. 8 is a bottom view thereof.

The broken lines in the figures show portions of the handle for camera or the like that form no part of the claimed design.

The dot-dash broken lines in the figures show boundaries that form no part of the claimed design.

**1 Claim, 8 Drawing Sheets**



(56)

**References Cited**

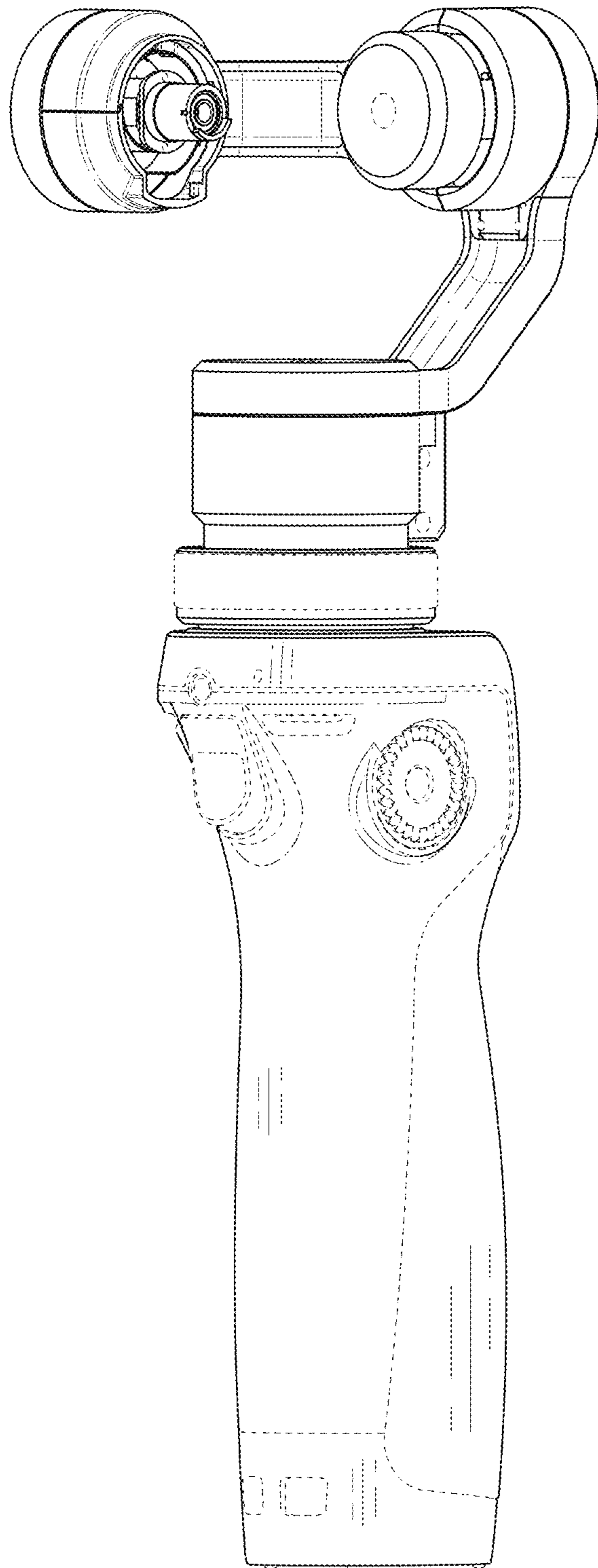
U.S. PATENT DOCUMENTS

D779,580 S \* 2/2017 Jia ..... D16/237  
D780,245 S \* 2/2017 Ruback ..... D16/206  
D781,950 S \* 3/2017 Weisz ..... D16/235  
2005/0080354 A1\* 4/2005 Crossley ..... A61B 1/2275  
600/549  
2016/0381271 A1\* 12/2016 Cheng ..... F16M 11/041  
348/208.2

FOREIGN PATENT DOCUMENTS

CN 302944108 9/2014  
CN 302030830 8/2015  
CN 303320442 8/2015  
CN 303320443 8/2015  
CN 303320444 8/2015  
CN 303480322 12/2015  
CN 303572923 1/2016  
JP D1273670 6/2006

\* cited by examiner



**FIG. 1**

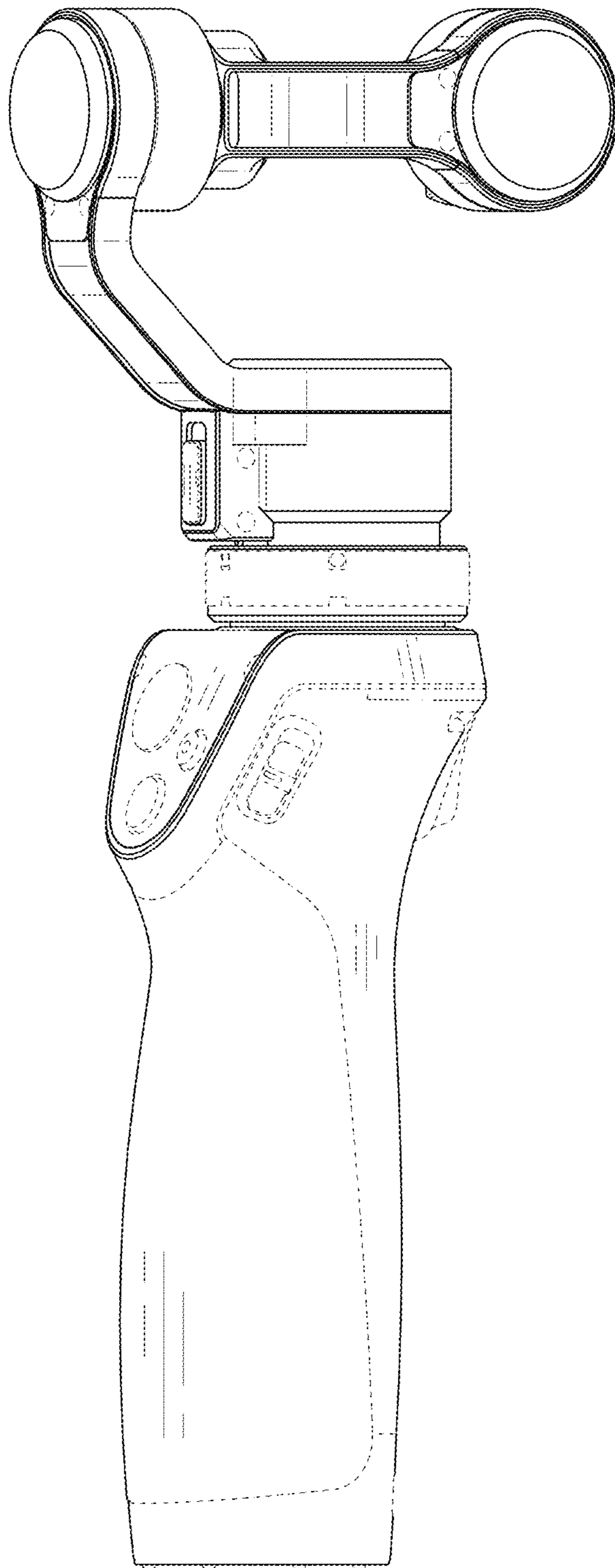
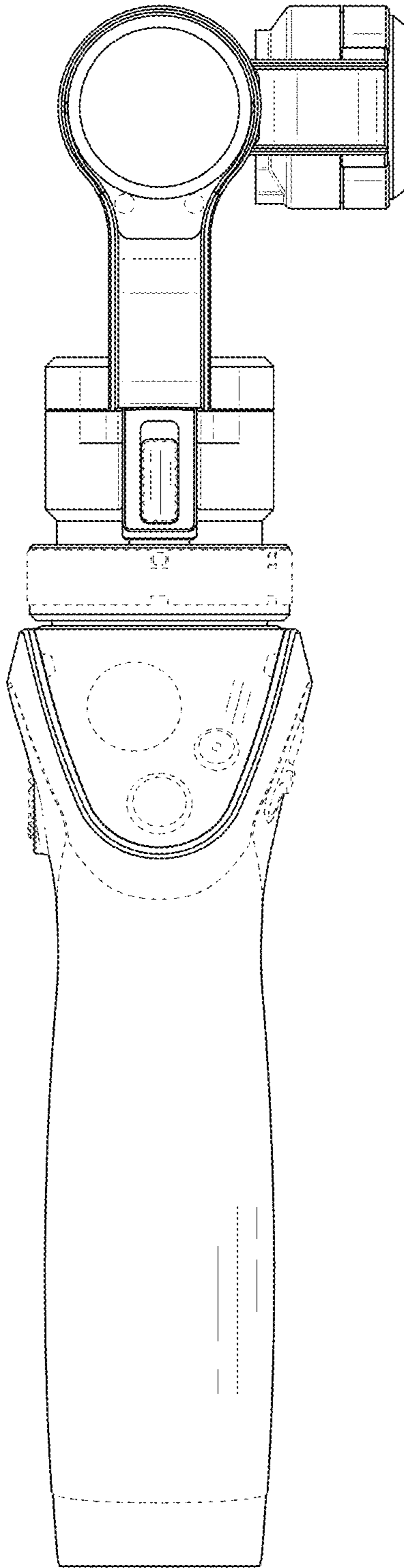
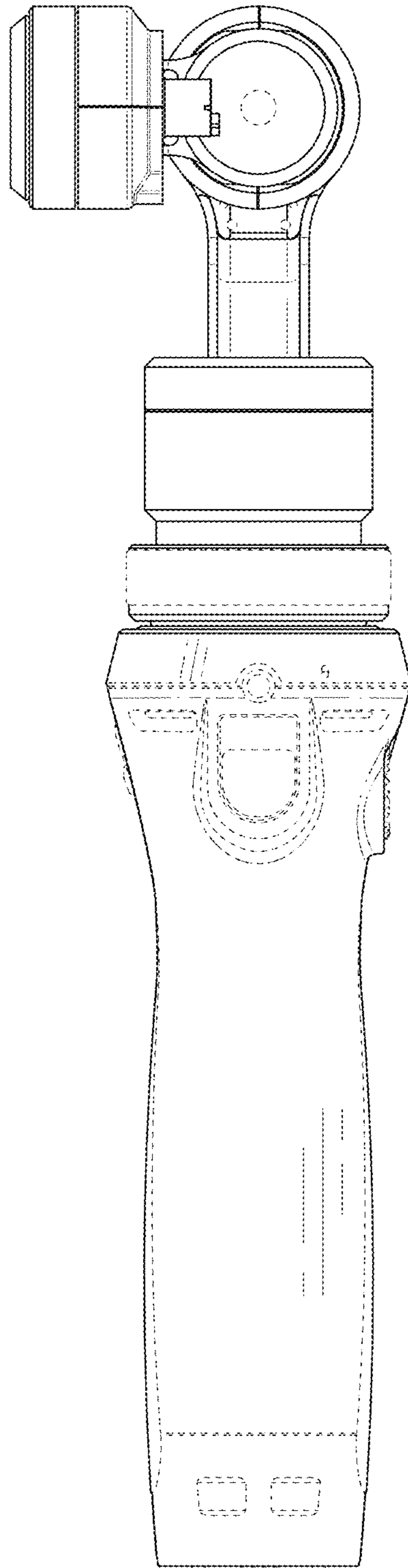


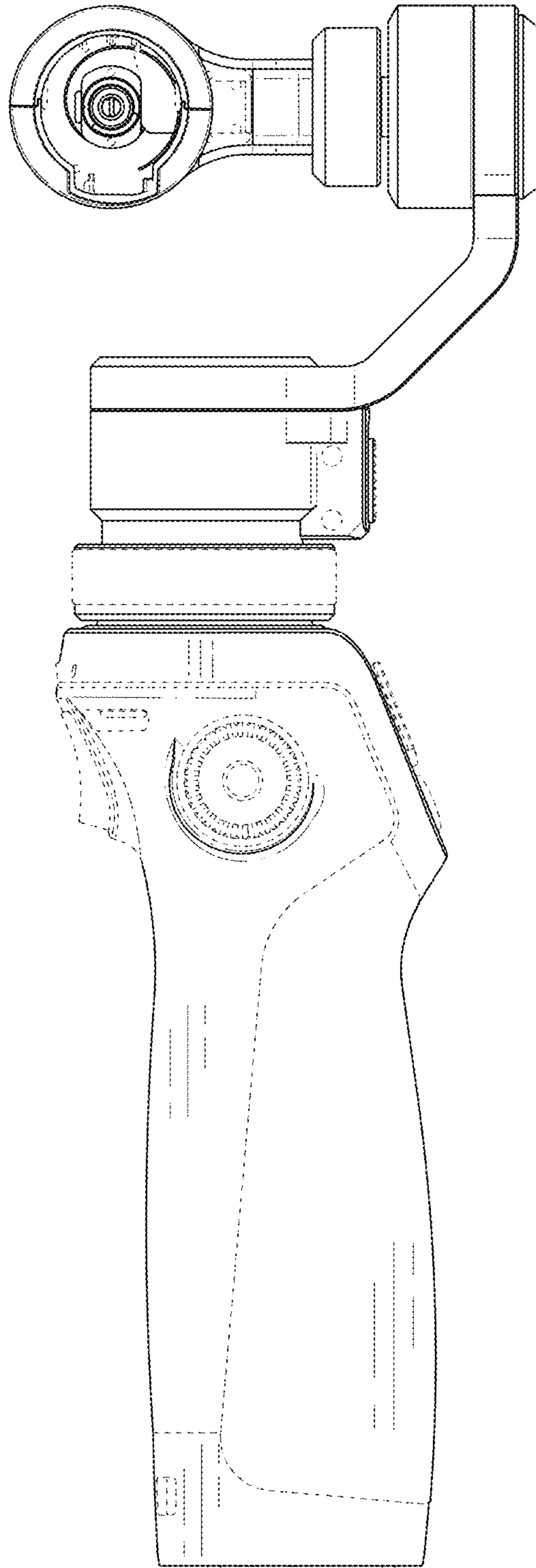
FIG. 2



**FIG. 3**



**FIG. 4**



**FIG. 5**

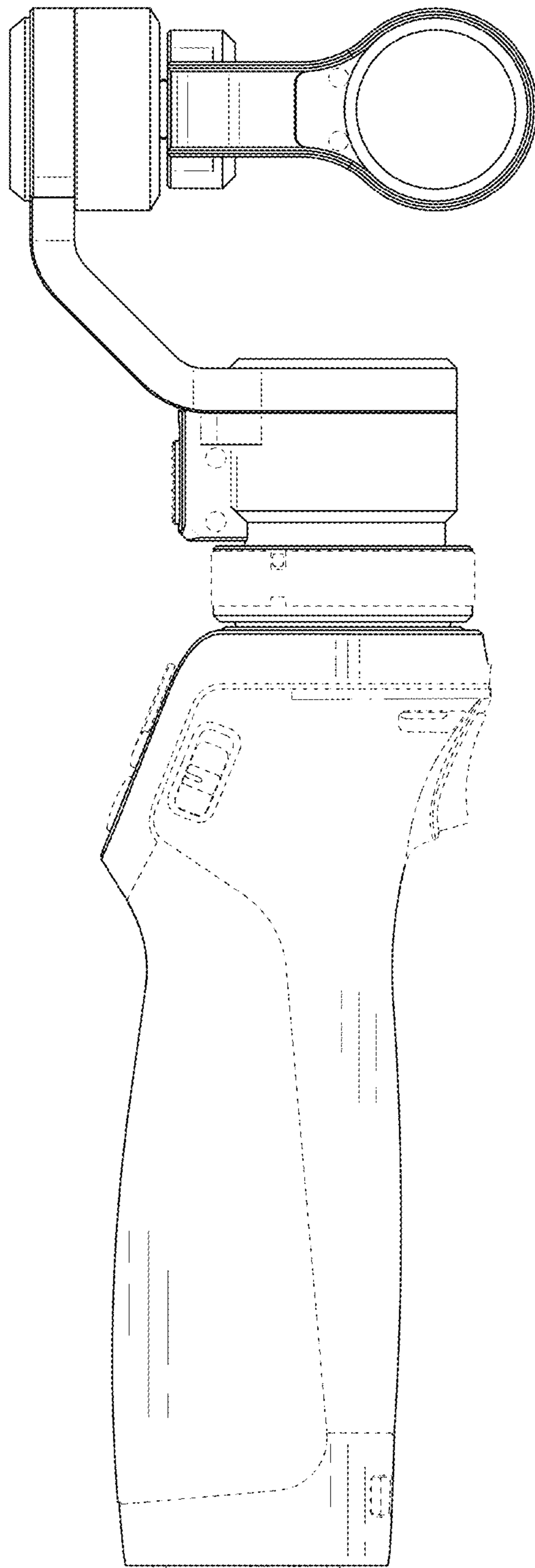
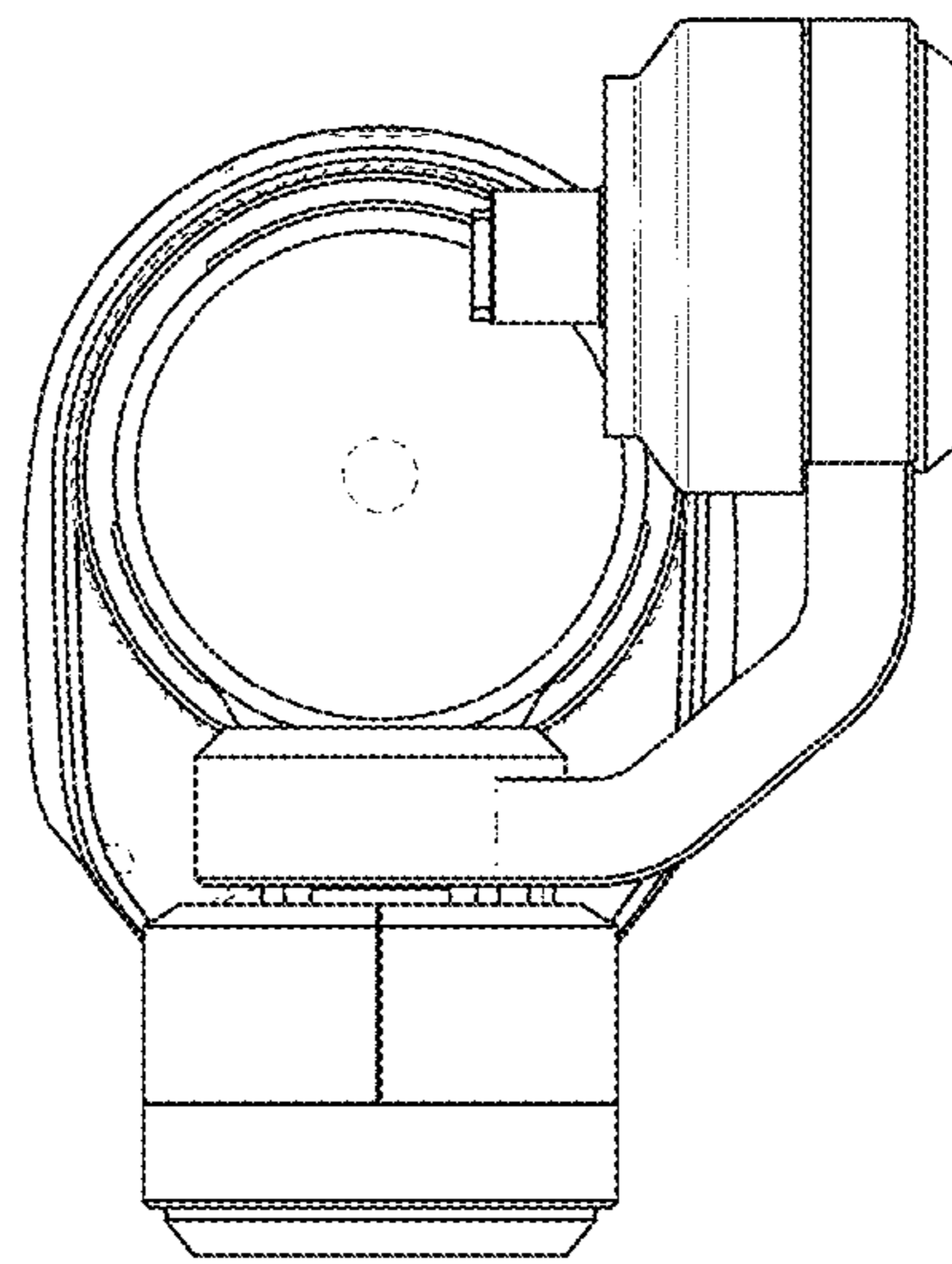
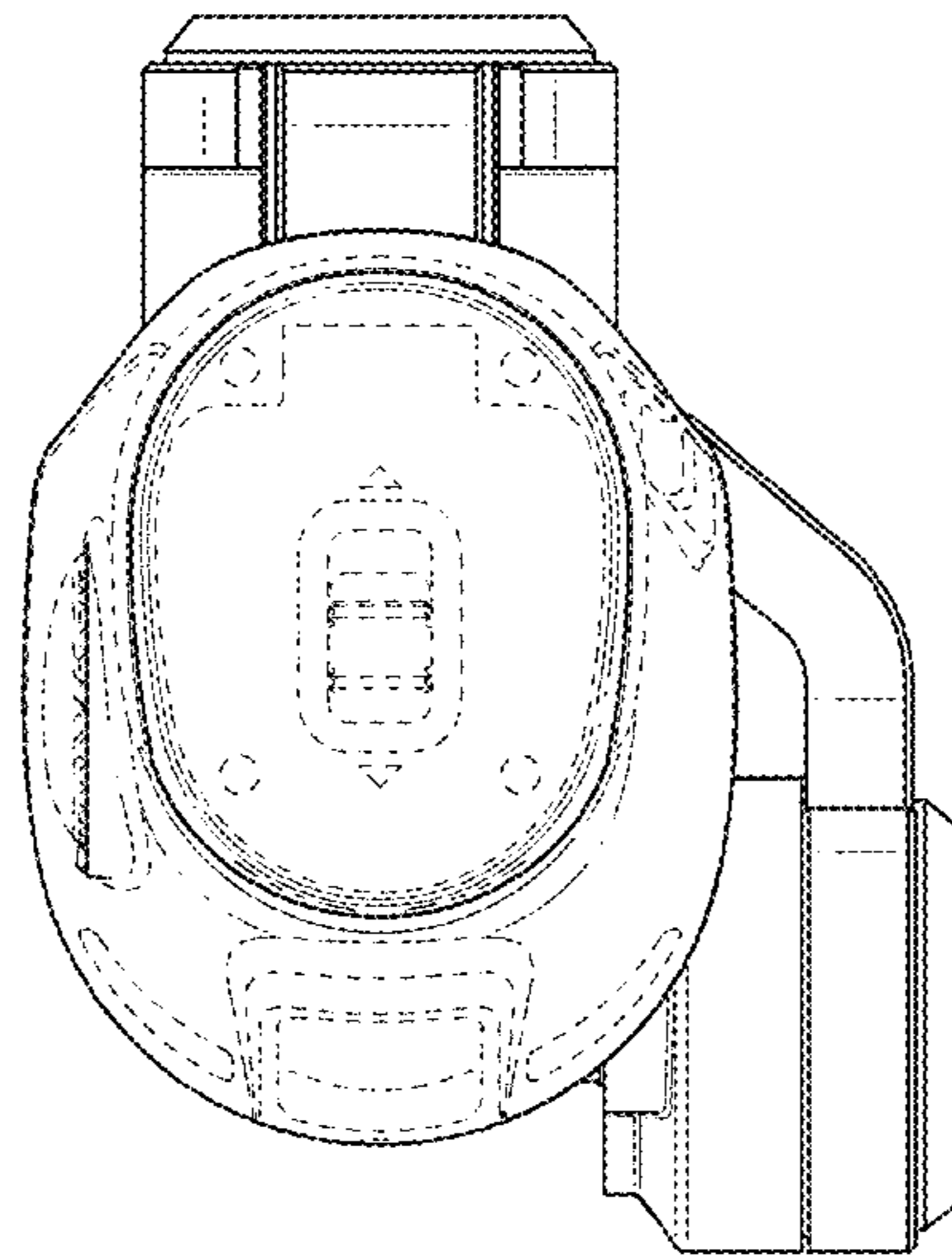


FIG. 6





**FIG. 7**



**FIG. 8**