



US00D815179S

(12) **United States Design Patent**  
**Högstedt et al.**

(10) **Patent No.:** **US D815,179 S**  
(45) **Date of Patent:** **\*\* Apr. 10, 2018**

- (54) **CAMERA**
- (71) Applicant: **FLIR Systems AB**, Täby (SE)
- (72) Inventors: **Christian Högstedt**, Nacka (SE);  
**Niklas Briheim**, Stockholm (SE);  
**Andreas Lundbäck**, Stockholm (SE)
- (73) Assignee: **FLIR Systems AB**, Taby (SE)
- (\*\*) Term: **15 Years**
- (21) Appl. No.: **29/568,004**
- (22) Filed: **Jun. 14, 2016**
- (51) **LOC (11) Cl.** ..... **16-01**
- (52) **U.S. Cl.**  
USPC ..... **D16/205**
- (58) **Field of Classification Search**  
USPC ..... D16/200–208, 211, 216–219, 221, 230,  
D16/237  
CPC .. G03B 17/08; G03B 17/568; G03B 2217/00;  
H04N 5/2252; H04N 5/225  
See application file for complete search history.

D611,979 S	3/2010	Frank et al.	
D615,113 S *	5/2010	Hallgren .....	D16/202
D622,300 S *	8/2010	Endo .....	D16/202
D676,888 S *	2/2013	Hayashi .....	D16/203
D679,306 S *	4/2013	Wu .....	D16/202
D679,307 S *	4/2013	Wu .....	D16/202
D693,871 S *	11/2013	Tanifuji .....	D16/202
D705,843 S *	5/2014	Kawai .....	D16/202
D719,203 S *	12/2014	Horiki .....	D16/202
D722,095 S *	2/2015	Miyamori .....	D16/203
D741,929 S *	10/2015	Tanifuji .....	D16/202
D743,466 S *	11/2015	Lammens .....	D16/203
D750,685 S	3/2016	Santos	
D752,125 S *	3/2016	Arimoto .....	D16/202
2014/0347531 A1 *	11/2014	Sakaguchi .....	H04N 5/2253 348/294

\* cited by examiner

*Primary Examiner* — Susan E Krakower  
*Assistant Examiner* — L. A. Grabenstetter  
(74) *Attorney, Agent, or Firm* — Haynes and Boone, LLP

(57) **CLAIM**

The ornamental design for a camera, as shown and described.

**DESCRIPTION**

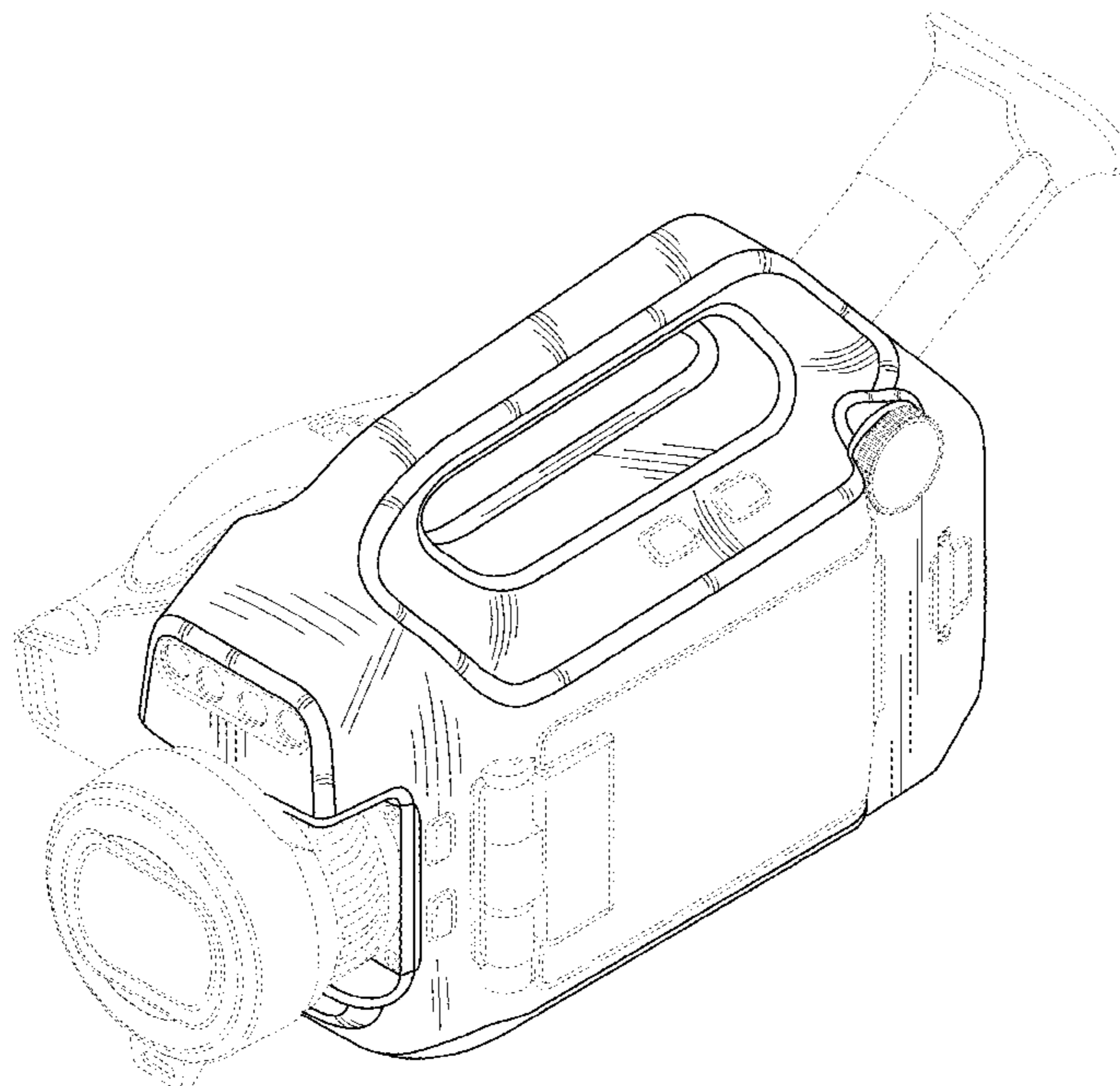
FIG. 1 is a front, left, and top perspective view of a camera embodying our new design;  
FIG. 2 is a left side view thereof;  
FIG. 3 is a right side view thereof;  
FIG. 4 is a top plan view thereof;  
FIG. 5 is a bottom plan view thereof;  
FIG. 6 is a front elevational view thereof;  
FIG. 7 is a rear elevational view thereof; and,  
FIG. 8 is a rear, right, and bottom perspective view thereof.  
The broken lines depict unclaimed portions of the camera.

**1 Claim, 8 Drawing Sheets**

(56) **References Cited**

**U.S. PATENT DOCUMENTS**

D332,794 S *	1/1993	Takita .....	D16/202
D483,781 S *	12/2003	Granaas .....	D16/202
D484,155 S *	12/2003	Lannestedt .....	D16/202
D505,438 S *	5/2005	Kojima .....	D16/202
D543,223 S *	5/2007	Uchiyama .....	D16/202
D549,758 S *	8/2007	Gustavsson .....	D16/202
D551,688 S *	9/2007	Uchiyama .....	D16/202
D555,686 S *	11/2007	Hayakawa .....	D16/202
D589,547 S *	3/2009	Yamada .....	D16/202
7,595,837 B2 *	9/2009	Kobayashi .....	G03B 17/563 348/373



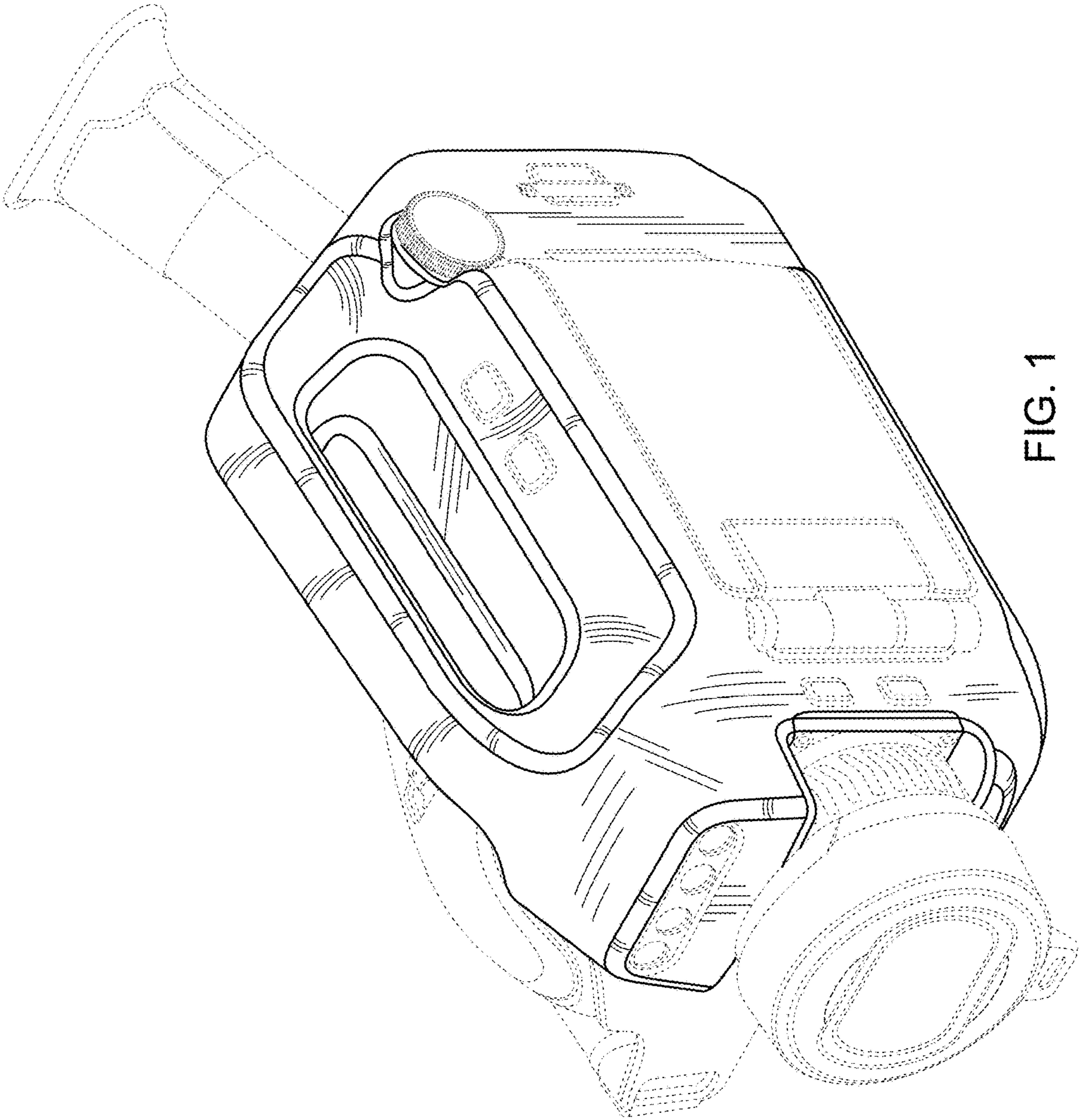


FIG. 1

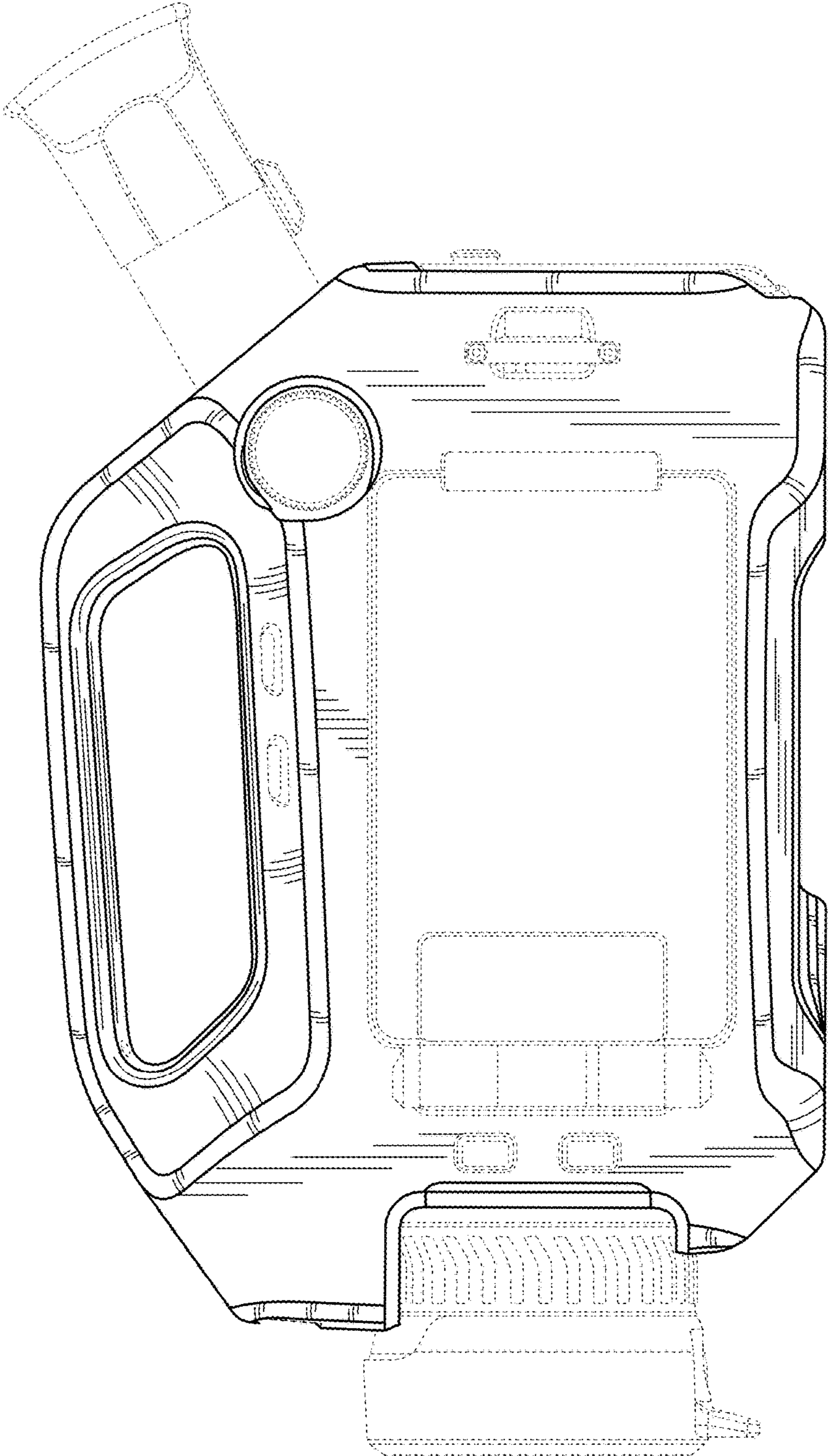


FIG. 2

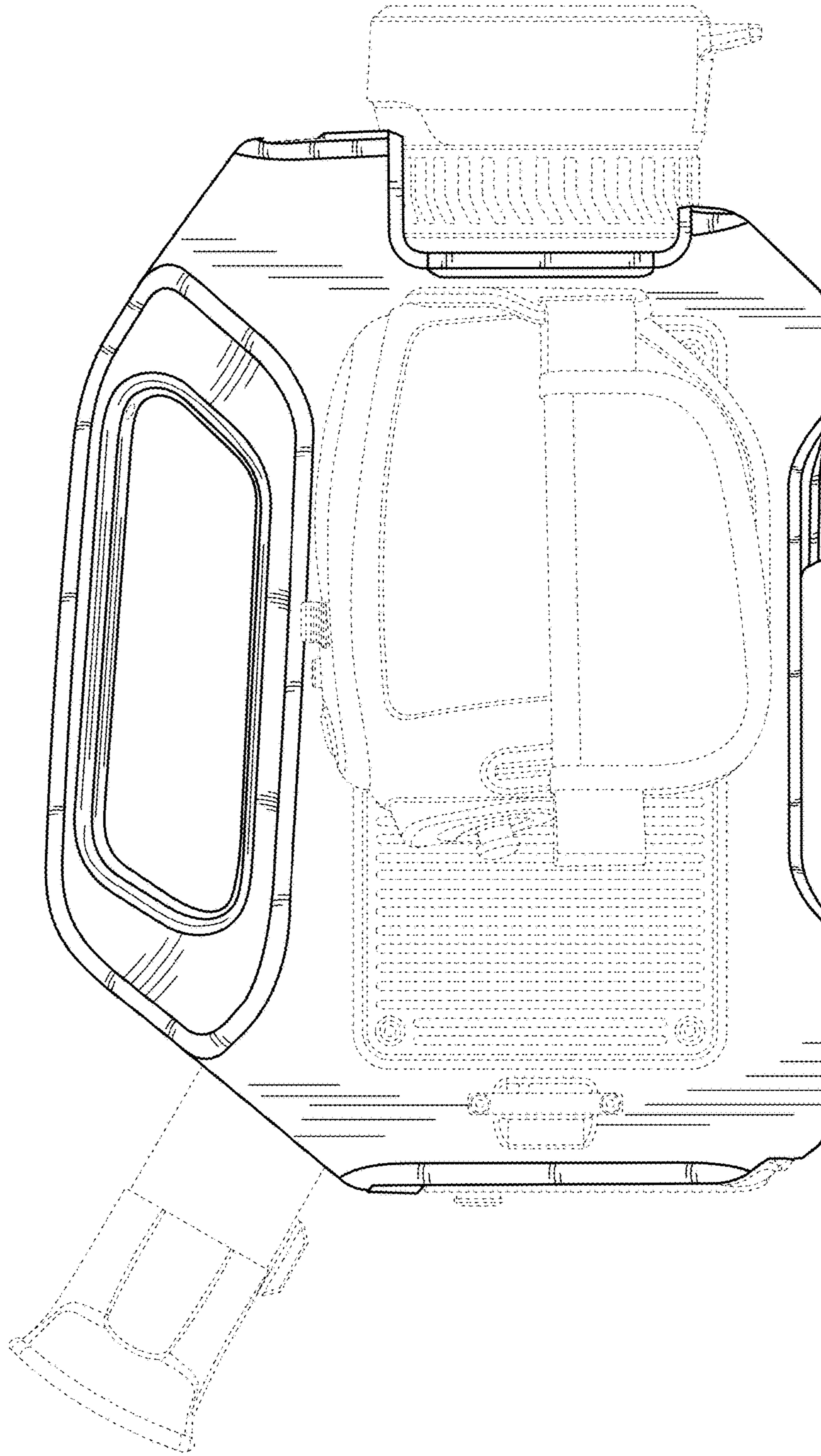


FIG. 3

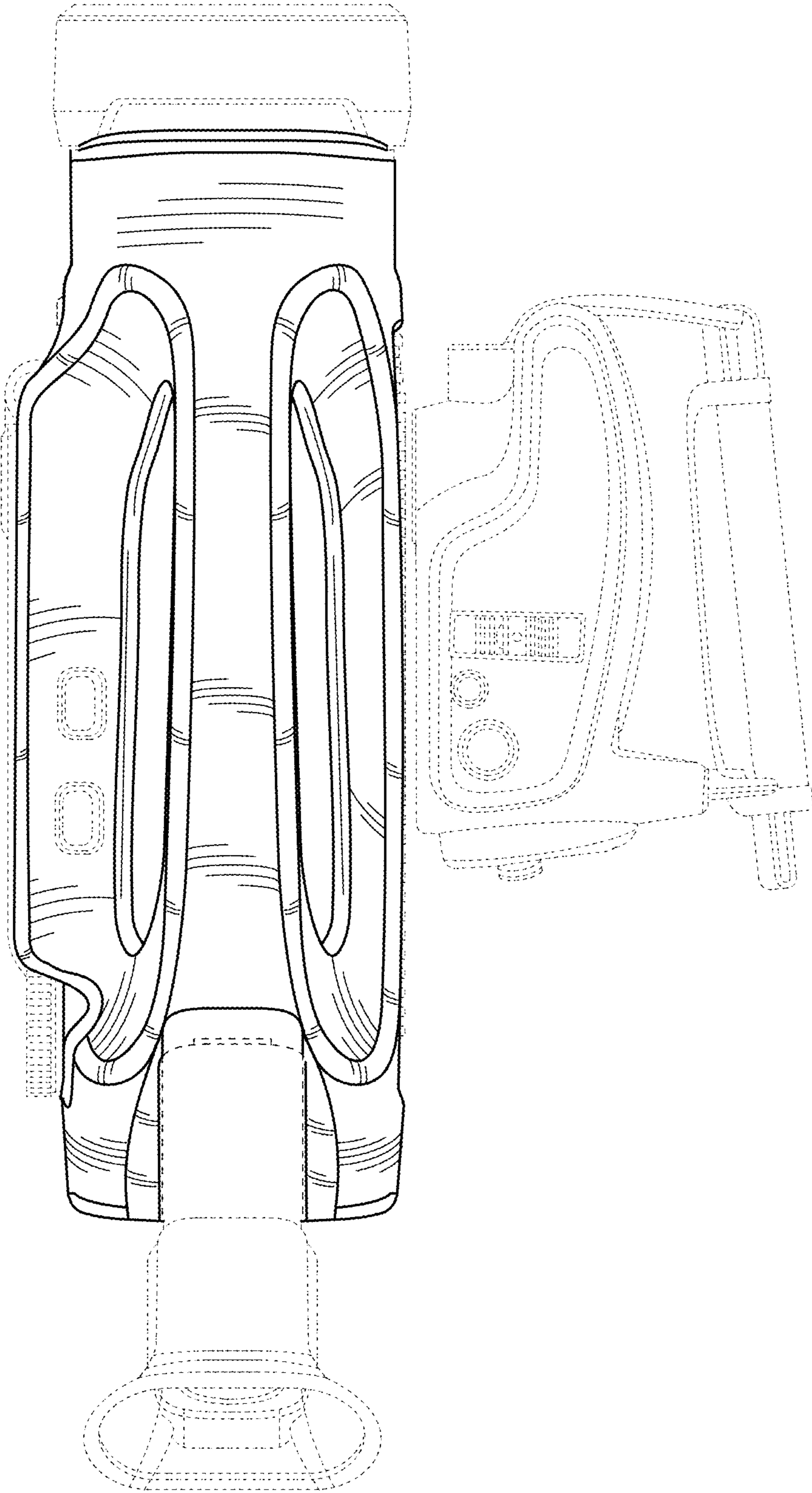


FIG. 4

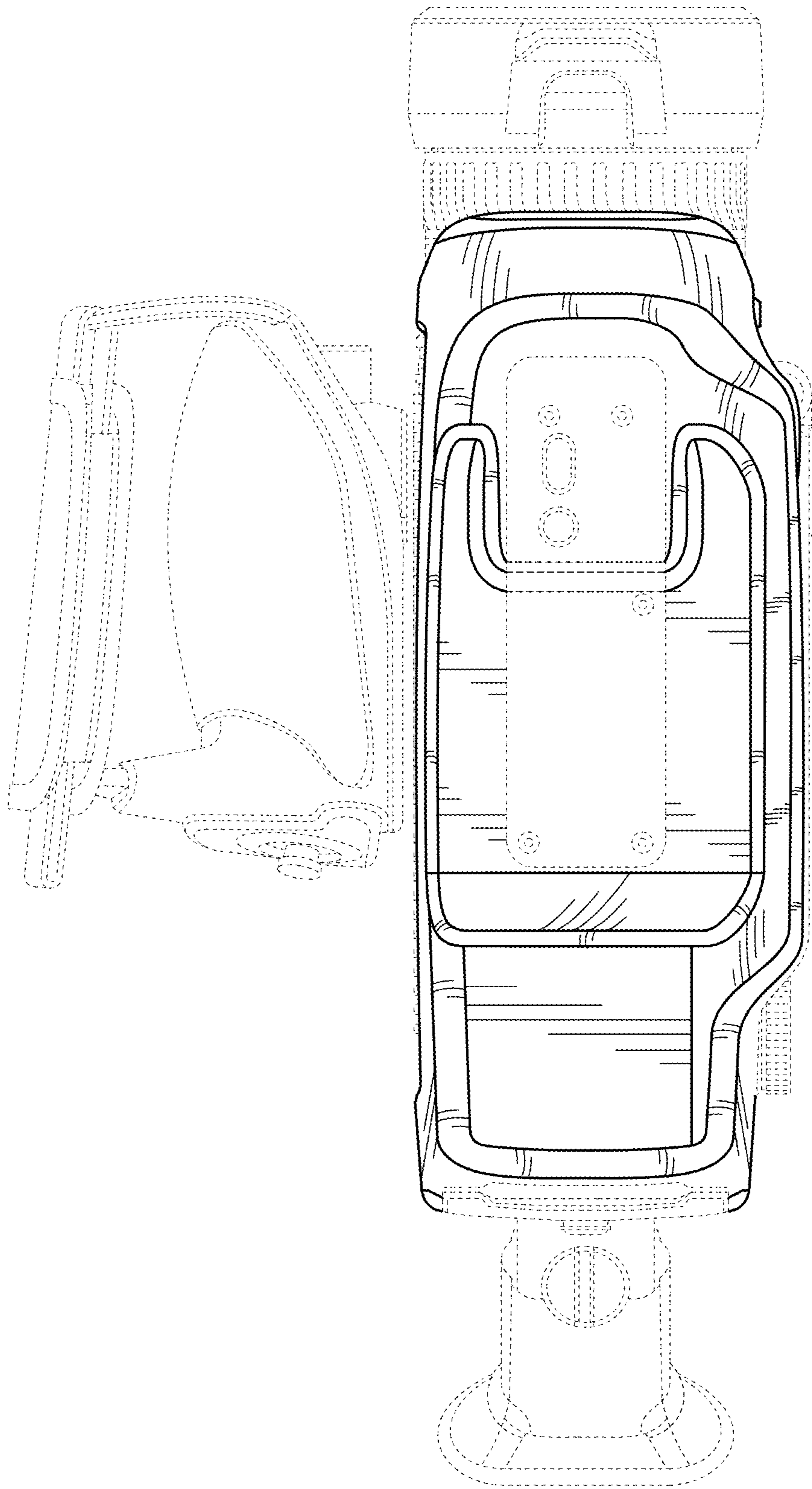


FIG. 5

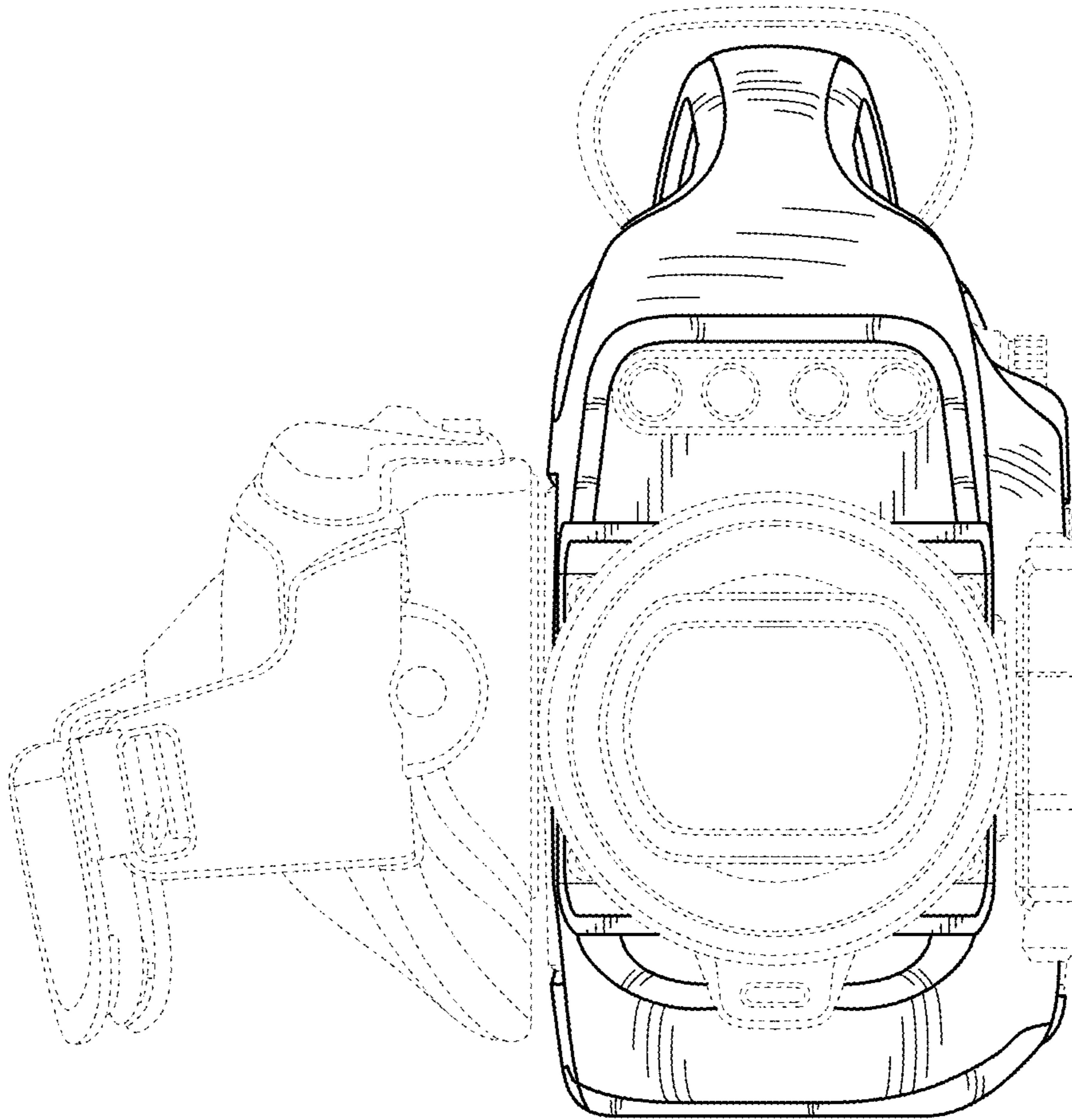


FIG. 6

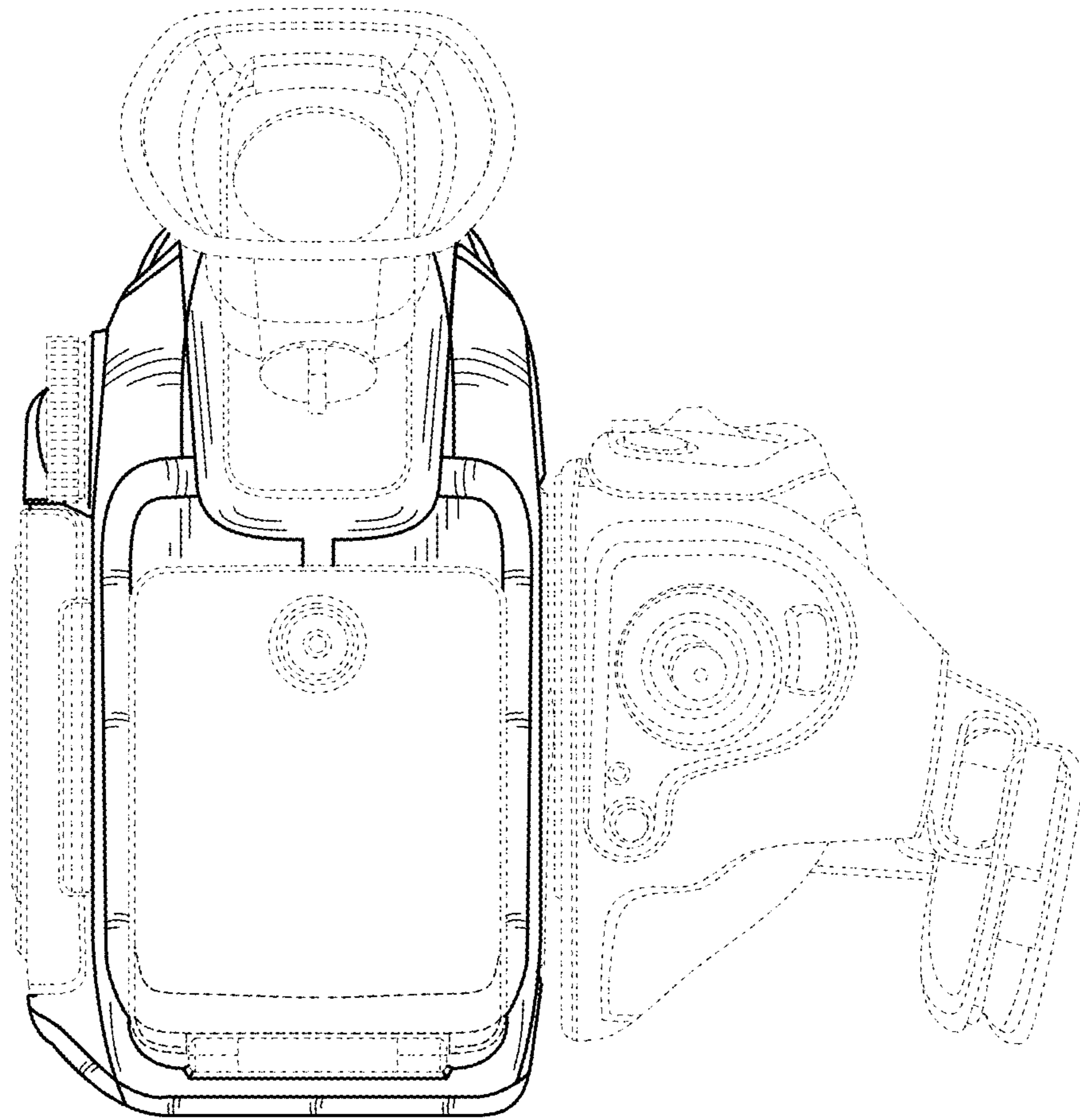


FIG. 7



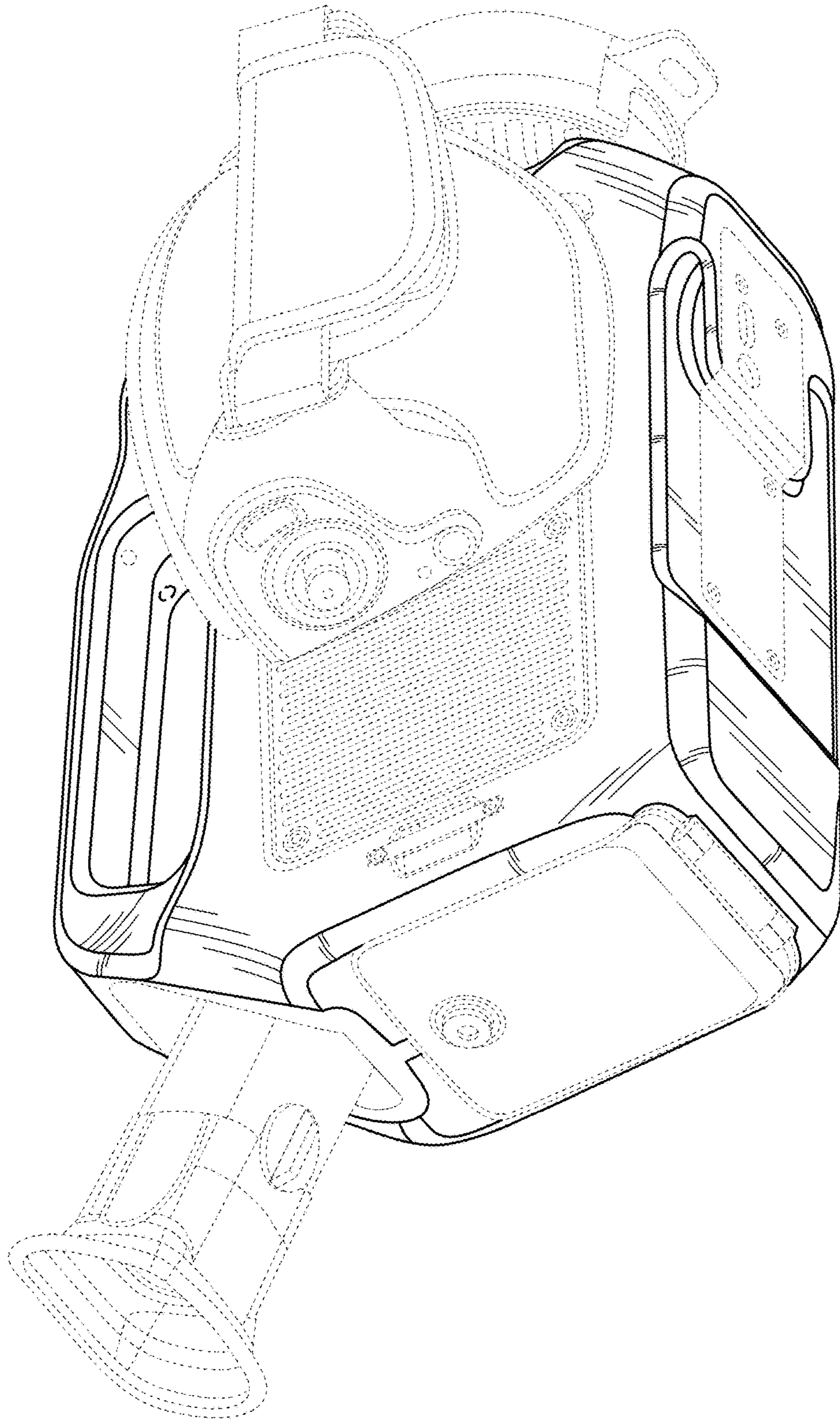


FIG. 8