



US00D815178S

(12) **United States Design Patent**
Larsson et al.

(10) **Patent No.:** **US D815,178 S**
(45) **Date of Patent:** **** Apr. 10, 2018**

(54) **MONITORING CAMERA**

(71) Applicant: **AXIS AB**, Lund (SE)

(72) Inventors: **Stefan Larsson**, Lund (SE); **Henrik Persson**, Lund (SE); **Mathias Walter**, Arlöv (SE); **Daniel Åhman**, Lomma (SE); **Morten Bergström**, Bjärred (SE)

(73) Assignee: **AXIS AB**, Lund (SE)

(**) Term: **15 Years**

(21) Appl. No.: **35/501,083**

(22) Filed: **Dec. 14, 2015**

(80) **Hague Agreement Data**

Int. Filing Date: **Dec. 14, 2015**
Int. Reg. No.: **DM/089668**
Int. Reg. Date: **Dec. 14, 2015**
Int. Reg. Pub. Date: **Jun. 17, 2016**

(30) **Foreign Application Priority Data**

Jun. 16, 2015 (EM) 002719674

(51) **LOC (11) Cl.** **16-01**

(52) **U.S. Cl.**
USPC **D16/203**

(58) **Field of Classification Search**

USPC D16/200, 202–206, 208, 218, 219, 242;
D12/193
CPC G03B 17/02; G03B 19/04; G03B 17/56;
G03B 17/04; G03B 17/03; H04N 5/2251;
H04N 5/2252; H04N 5/2253; H04N
5/2254; H04N 7/181; H04N 7/183; H04N
7/18

See application file for complete search history.

(56) **References Cited**

U.S. PATENT DOCUMENTS

D399,517 S * 10/1998 Hasegawa D16/203
D499,126 S * 11/2004 Kato D16/203

D547,347 S * 7/2007 Kim D16/202
D561,220 S * 2/2008 Alm D16/203
D629,436 S * 12/2010 Cheng D16/203
D657,410 S * 4/2012 Helaoui D16/203
8,790,024 B2 * 7/2014 Andersson H04N 5/2252
396/427
D721,755 S * 1/2015 Åhman D16/203
D740,874 S * 10/2015 Åhman D16/203
9,491,337 B2 * 11/2016 Elensi H04N 5/2252
D777,235 S * 1/2017 Jang D16/203

(Continued)

FOREIGN PATENT DOCUMENTS

TW D165582 1/2015

Primary Examiner — Manpreet S Matharu

Assistant Examiner — Holly E Thurman

(74) *Attorney, Agent, or Firm* — Volpe and Koenig, P.C.

(57) **CLAIM**

The ornamental design for a monitoring camera, as shown and described.

DESCRIPTION

1.-2. Surveillance cameras

1.1 : Perspective

1.2 : Bottom

1.3 : Front

1.4 : Left

1.5 : Right

1.6 : Back

1.7 : Top

2.1 : Perspective

2.2 : Bottom

2.3 : Front

2.4 : Left

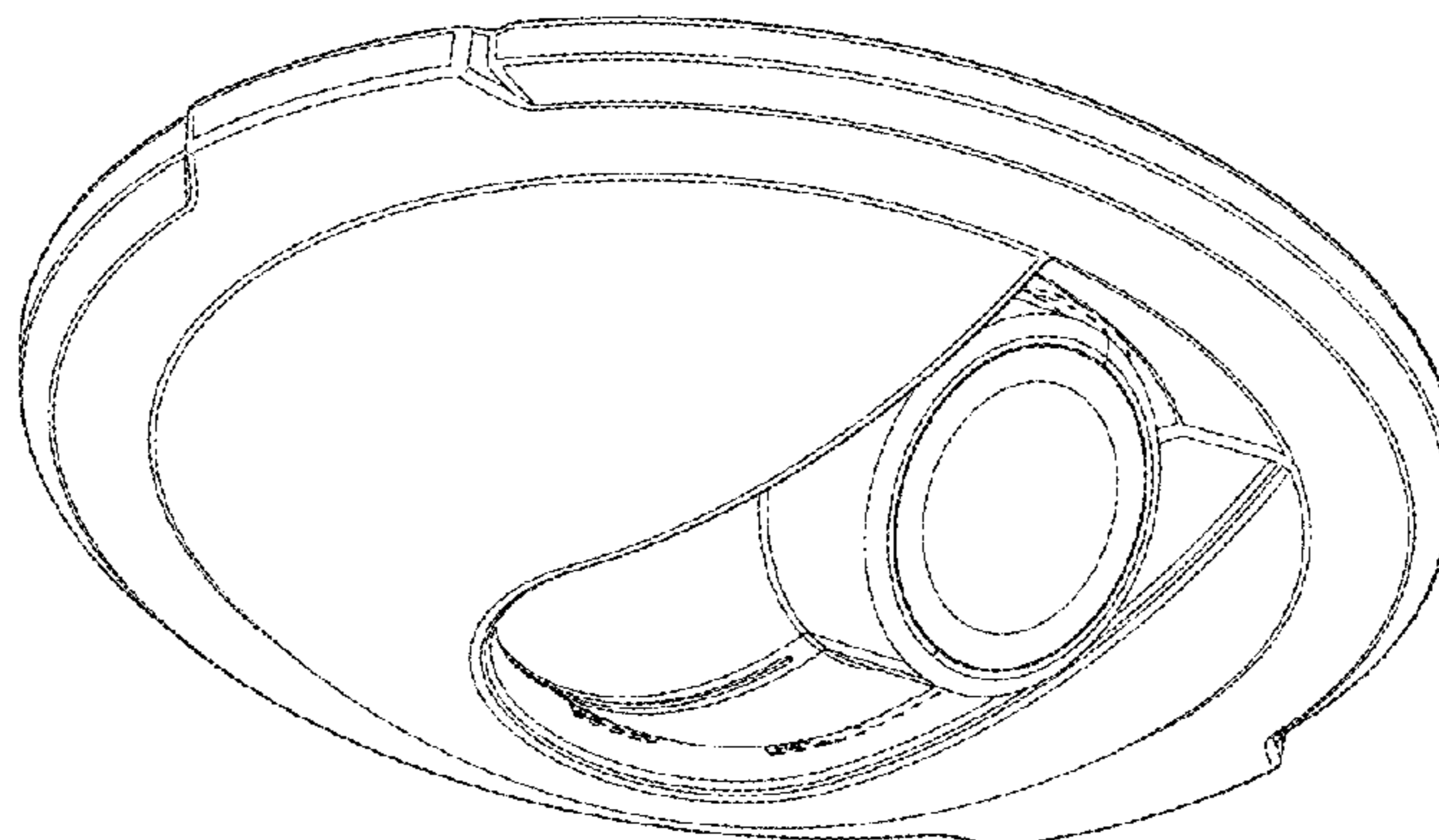
2.5 : Right

2.6 : Back

2.7 : Top

Portions of the monitoring camera shown in broken lines form no part of the claimed design.

1 Claim, 7 Drawing Sheets



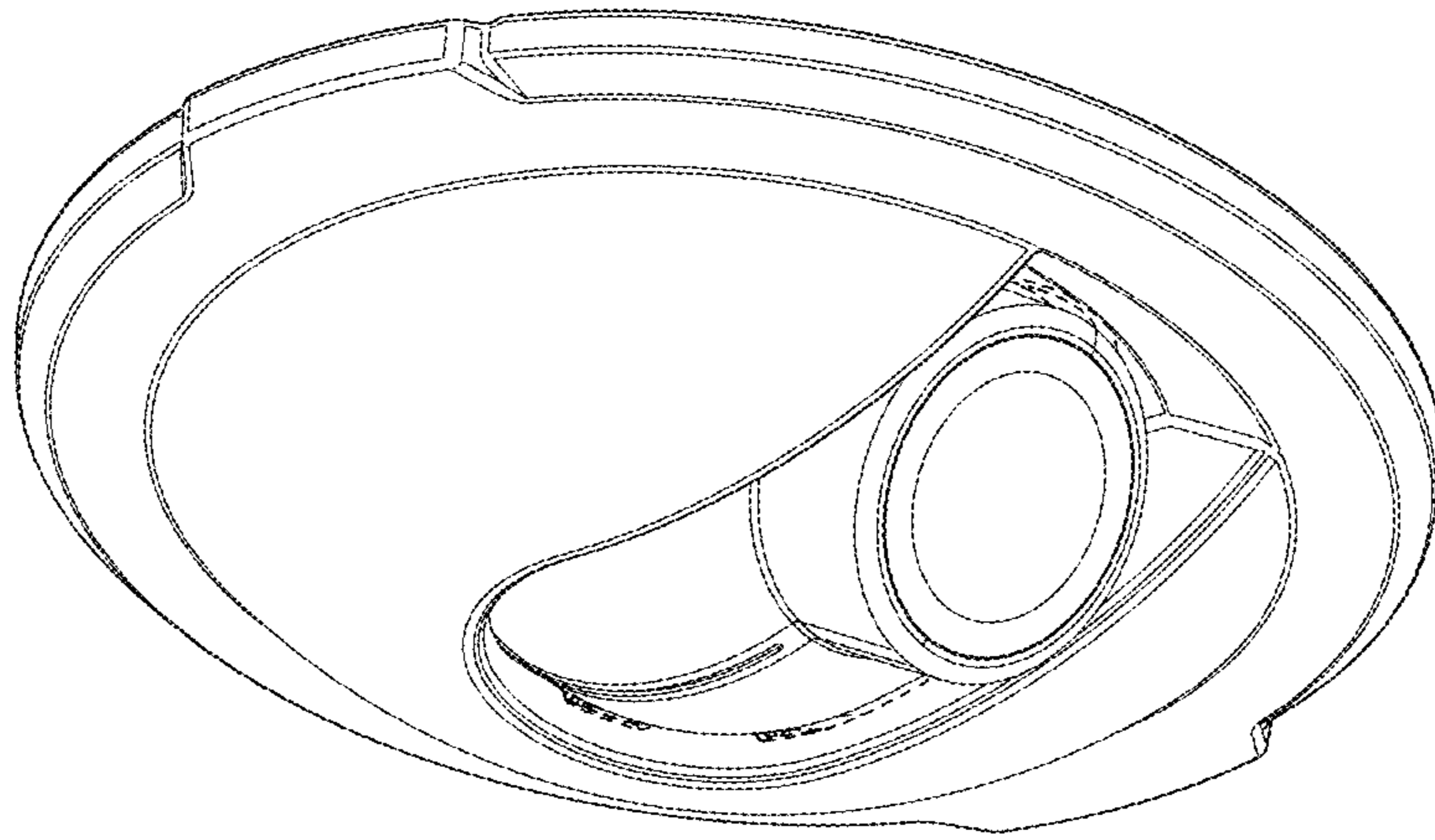
(56)

References Cited

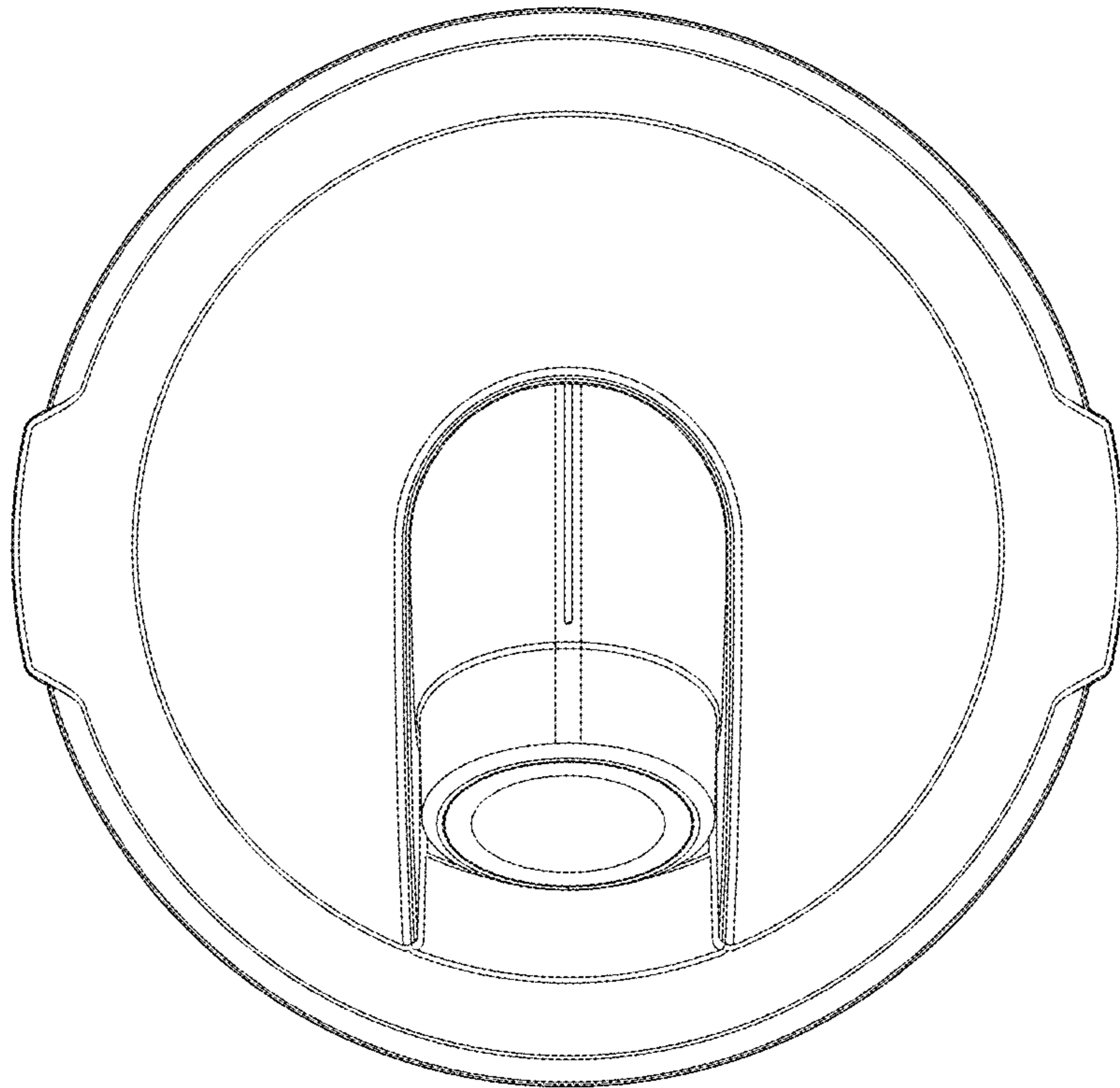
U.S. PATENT DOCUMENTS

9,535,311 B2 * 1/2017 Bergsten F16M 13/022
D786,330 S * 5/2017 Tasselli D16/203

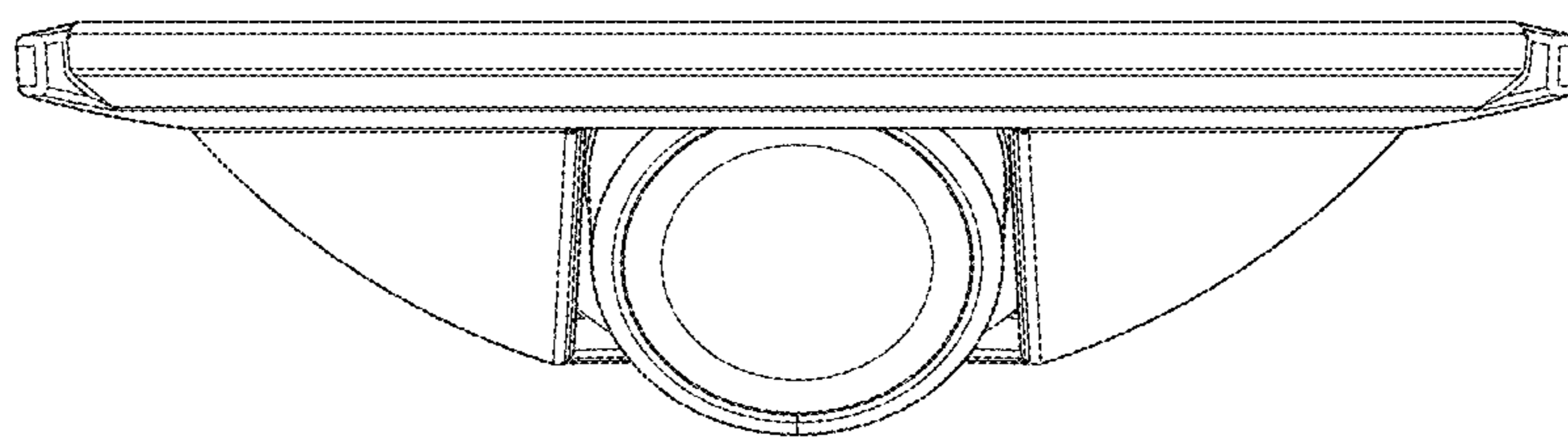
* cited by examiner



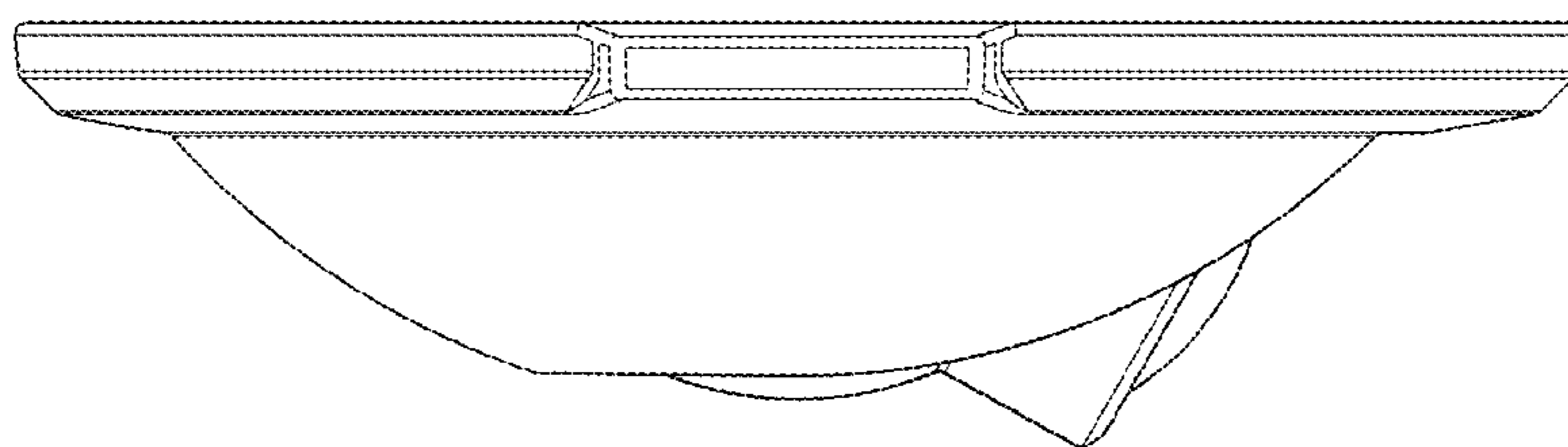
1.1



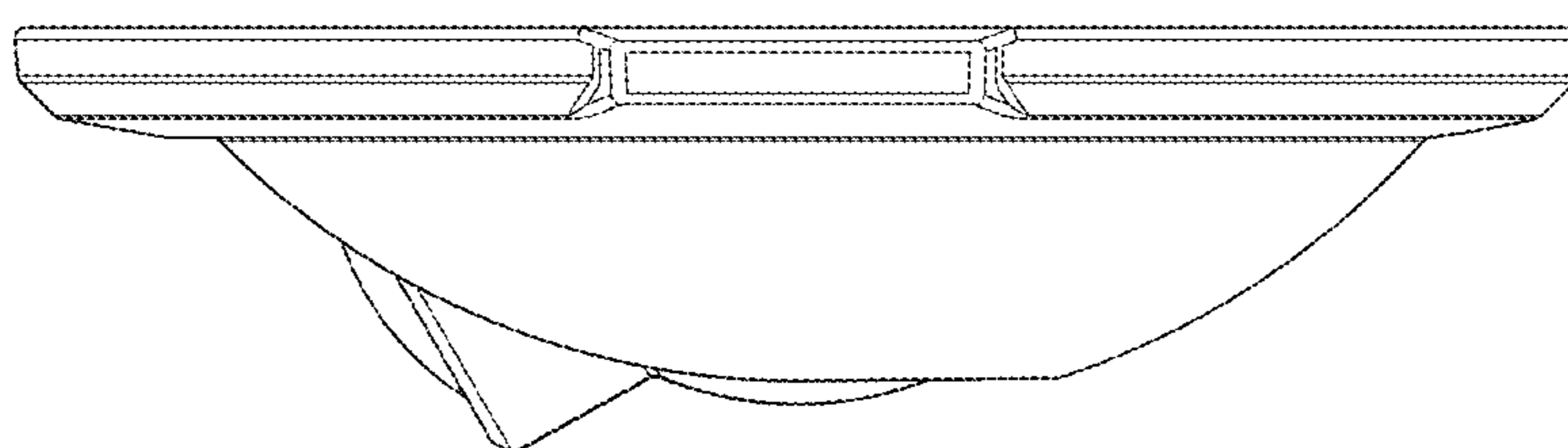
1.2



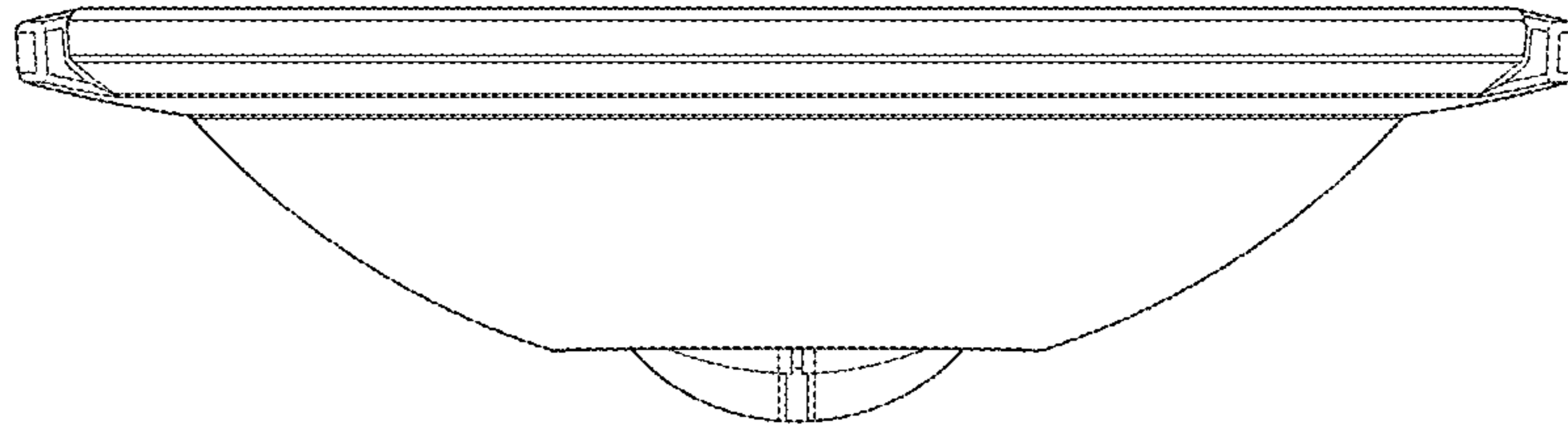
1.3



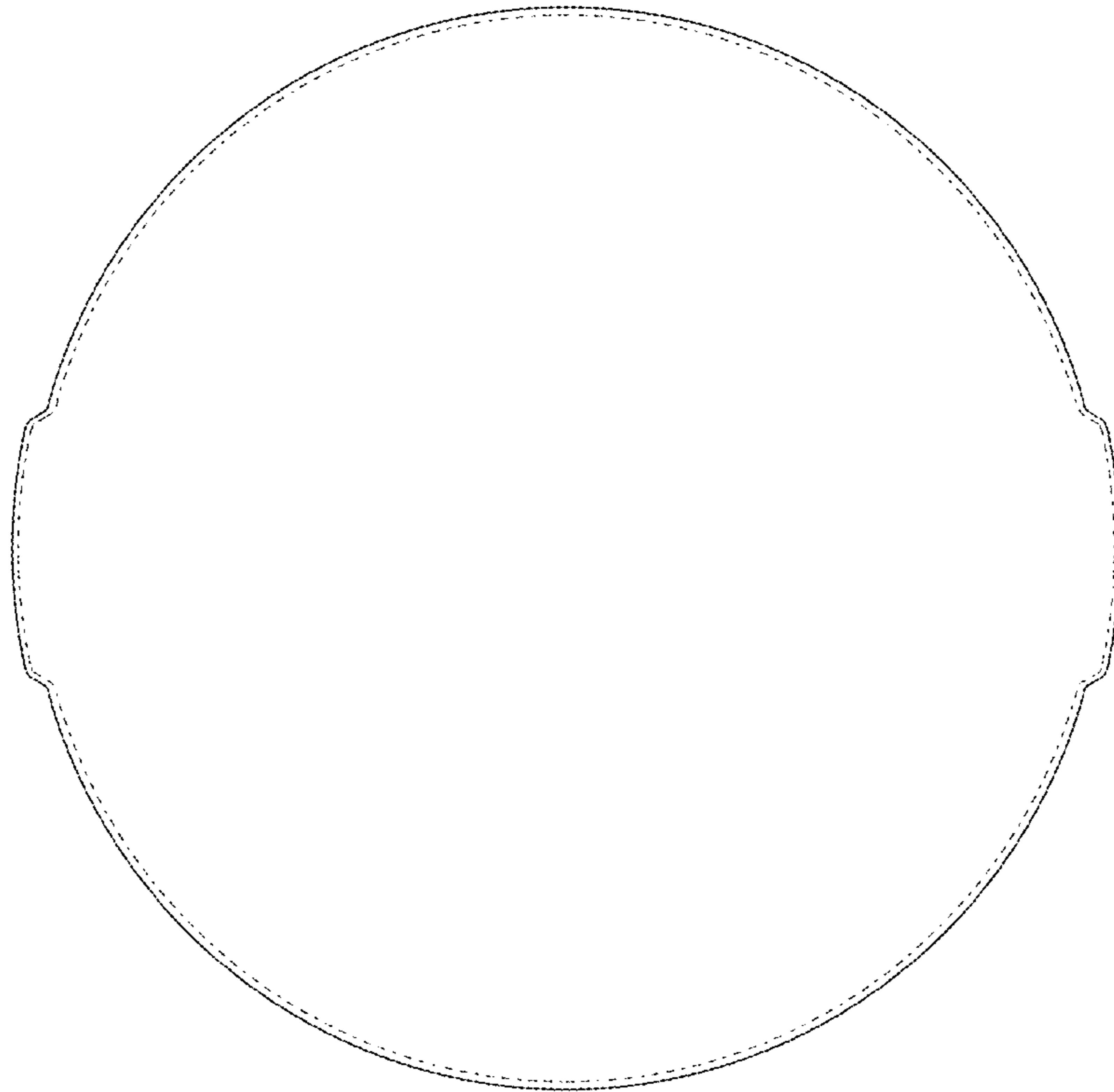
1.4



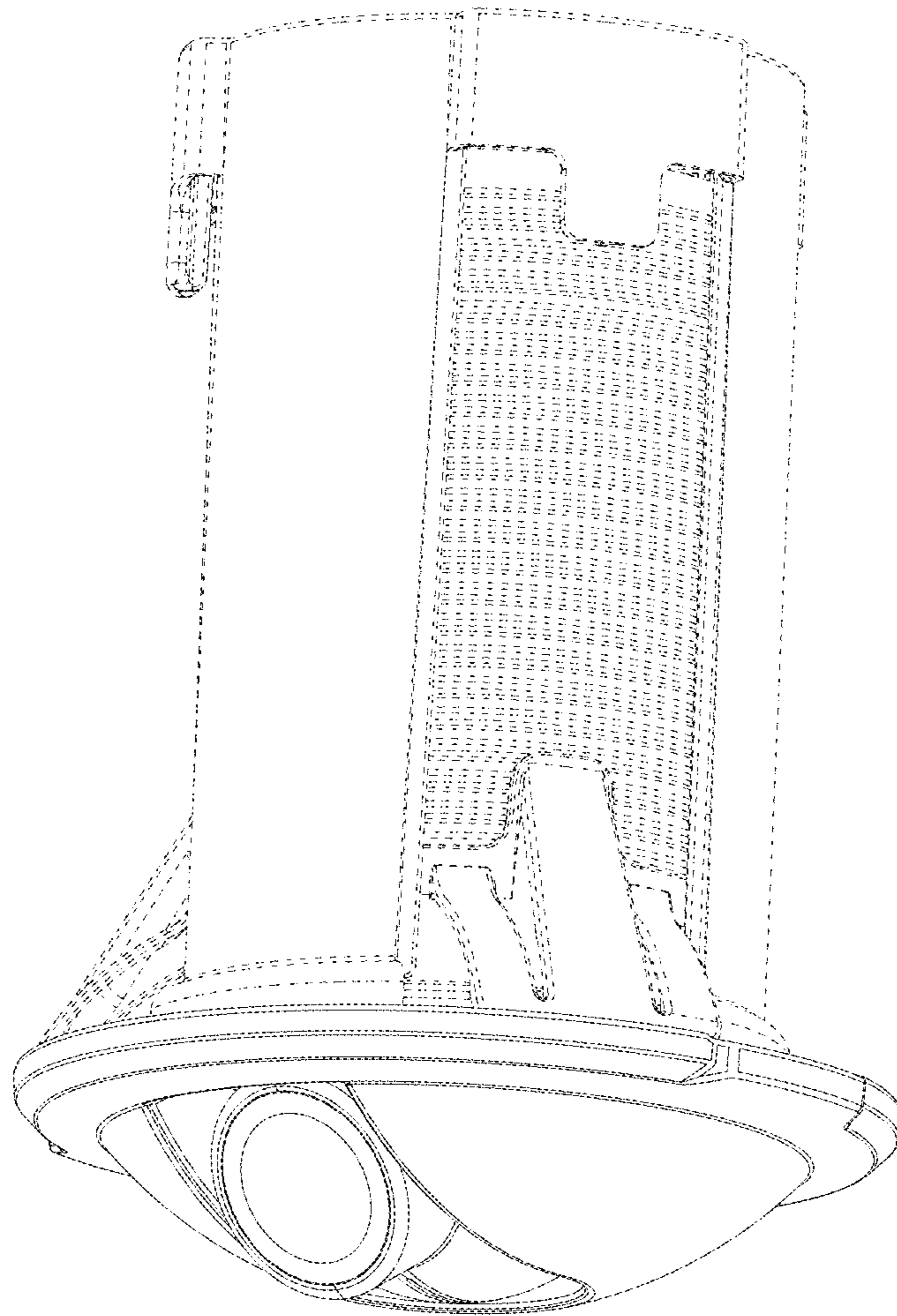
1.5



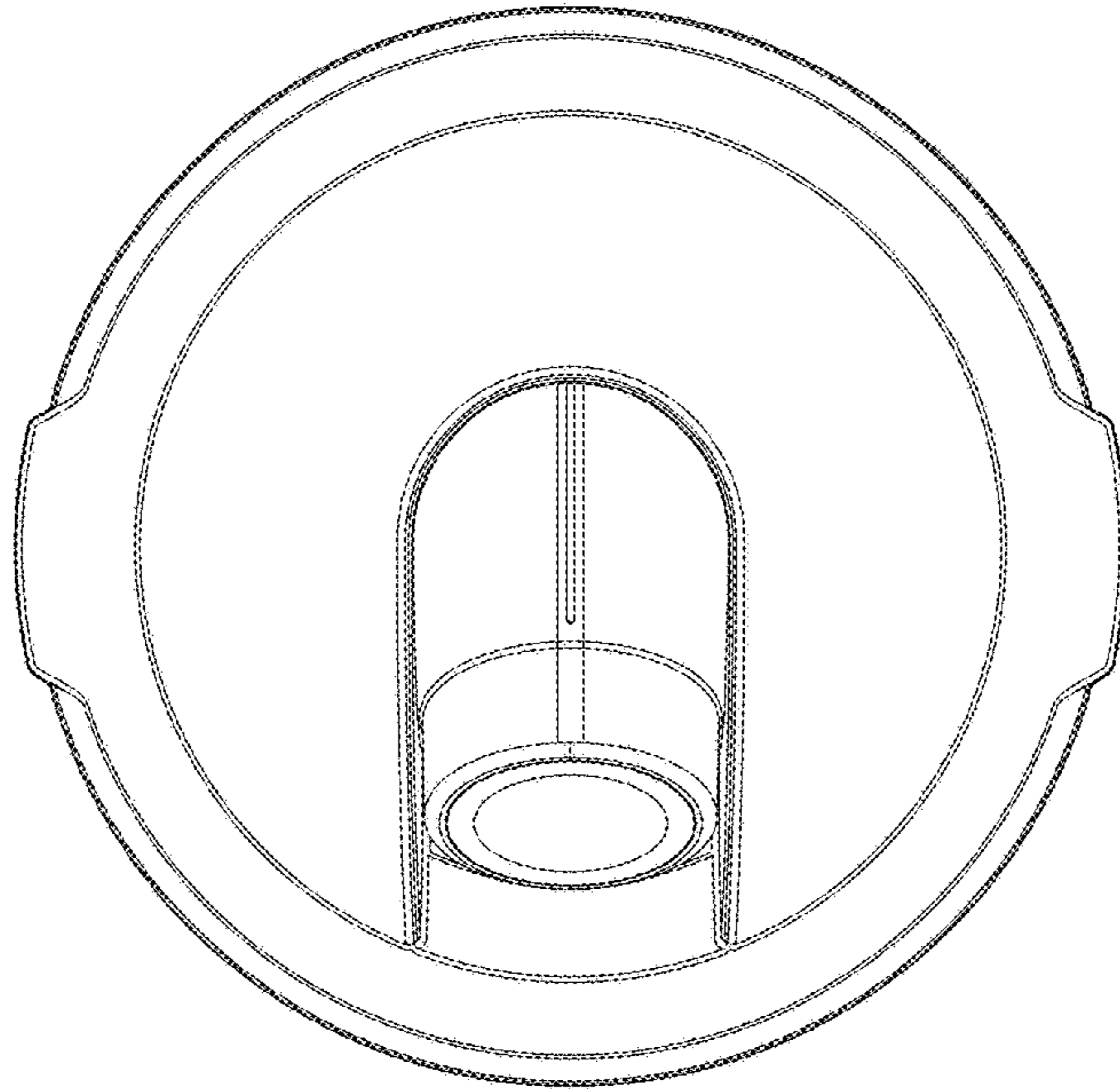
1.6



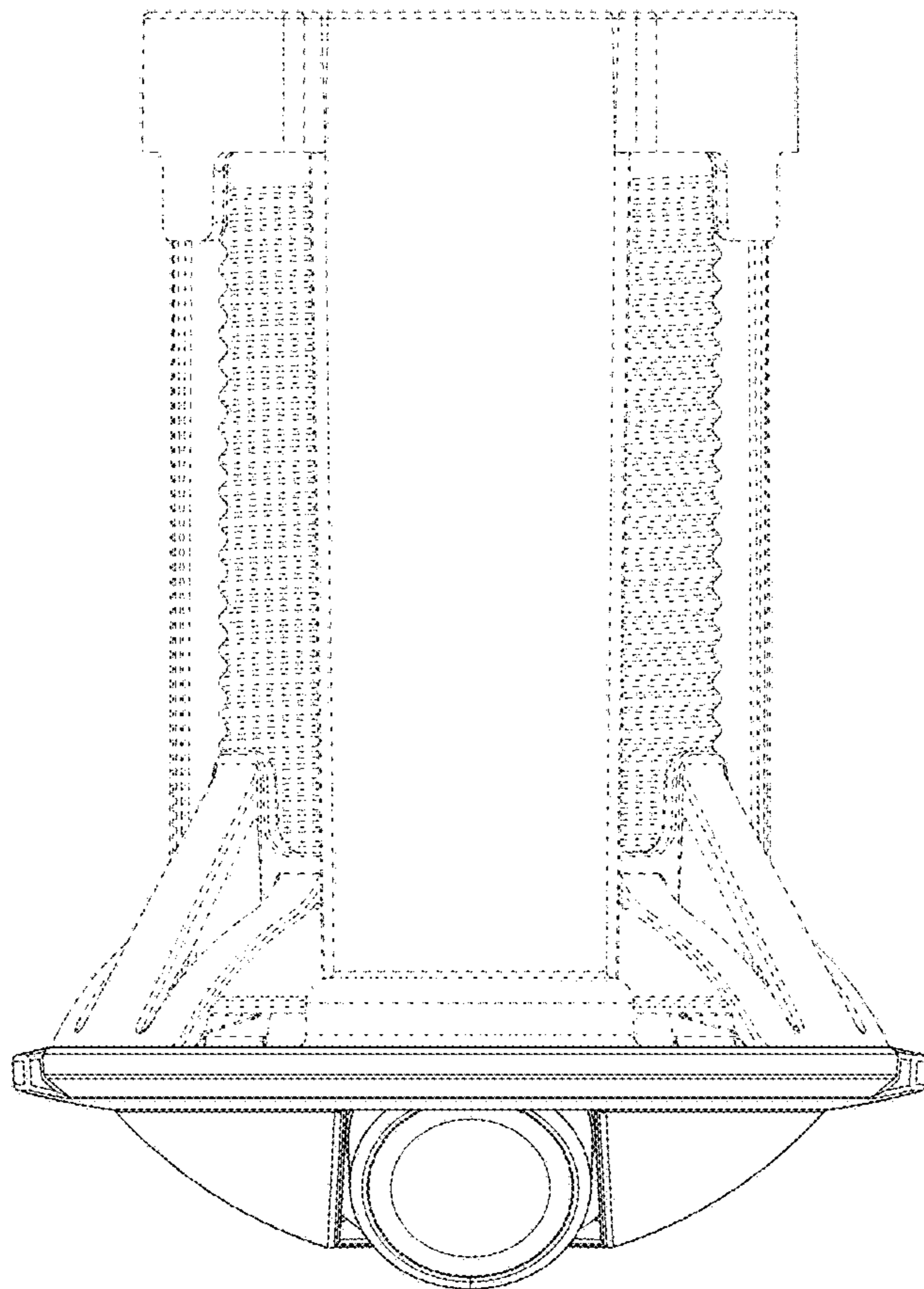
1.7



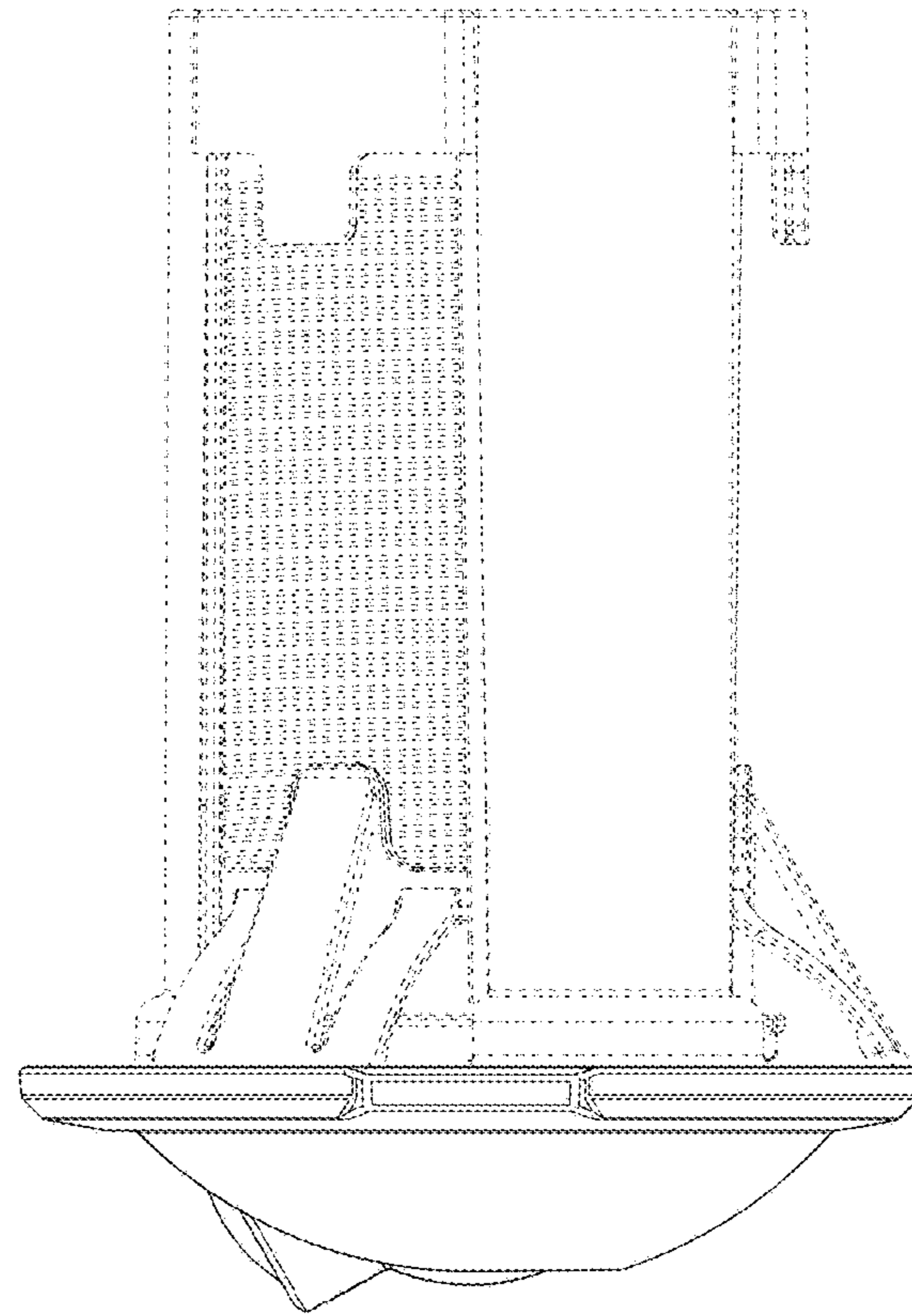
2.1



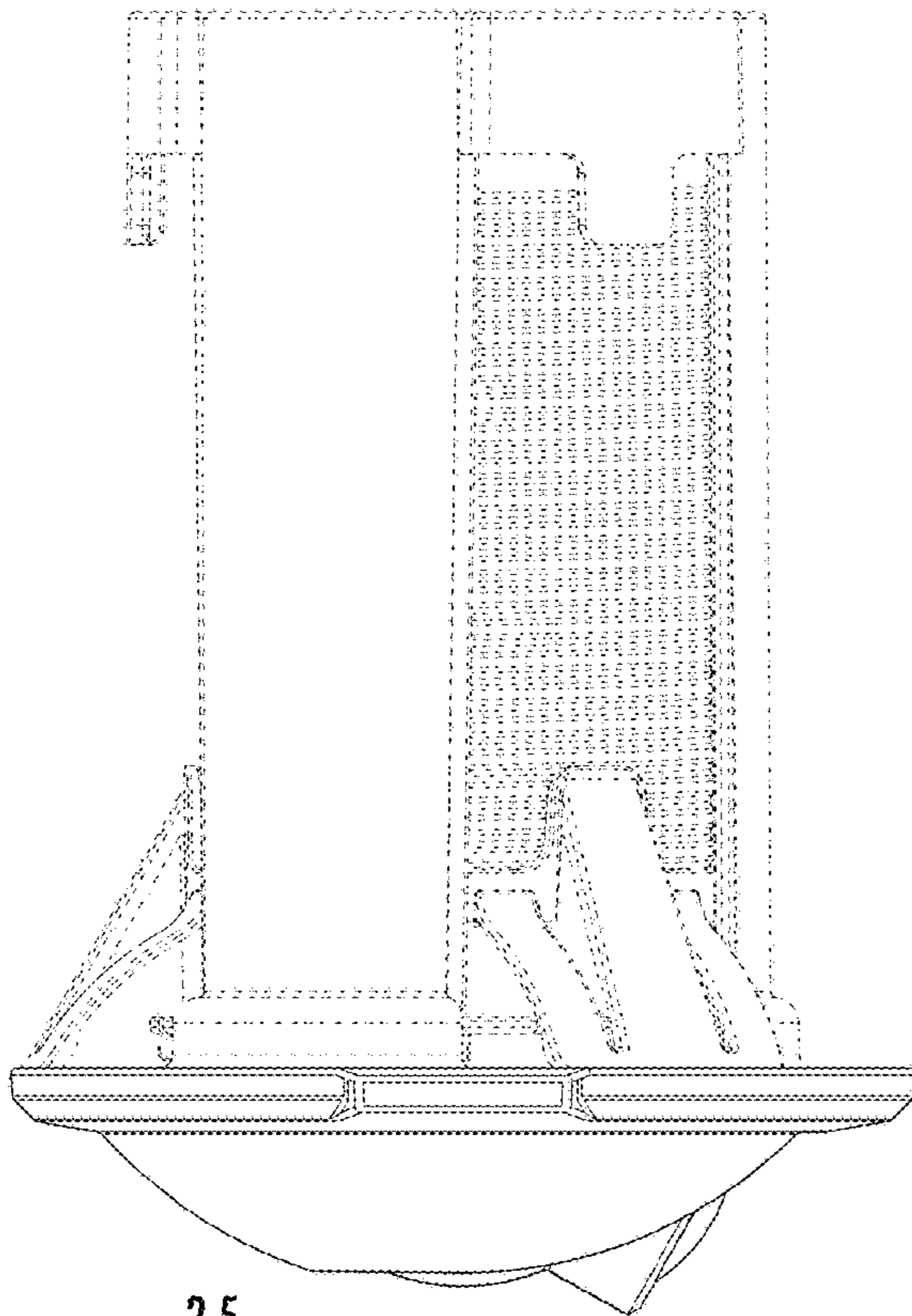
2.2



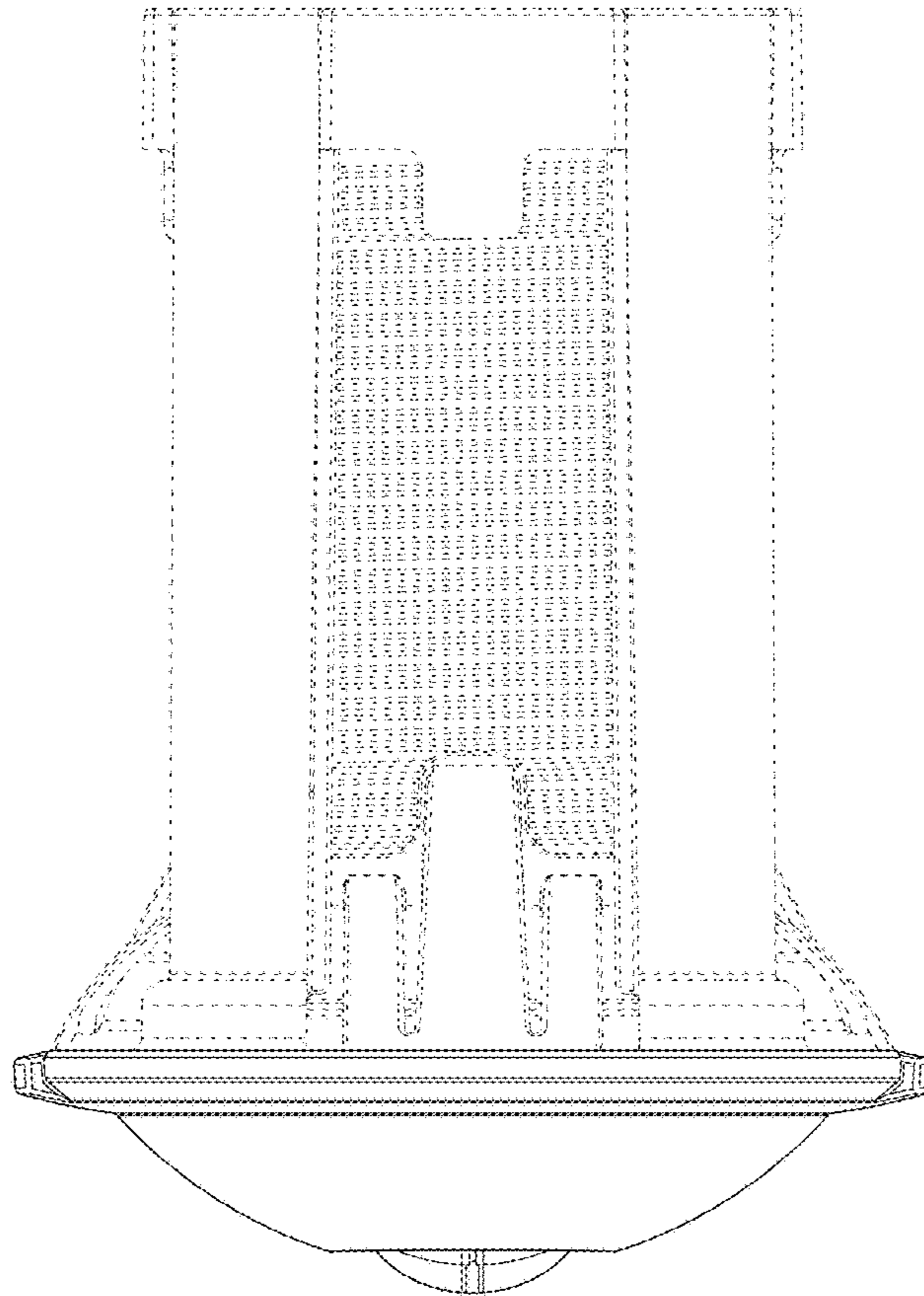
2.3



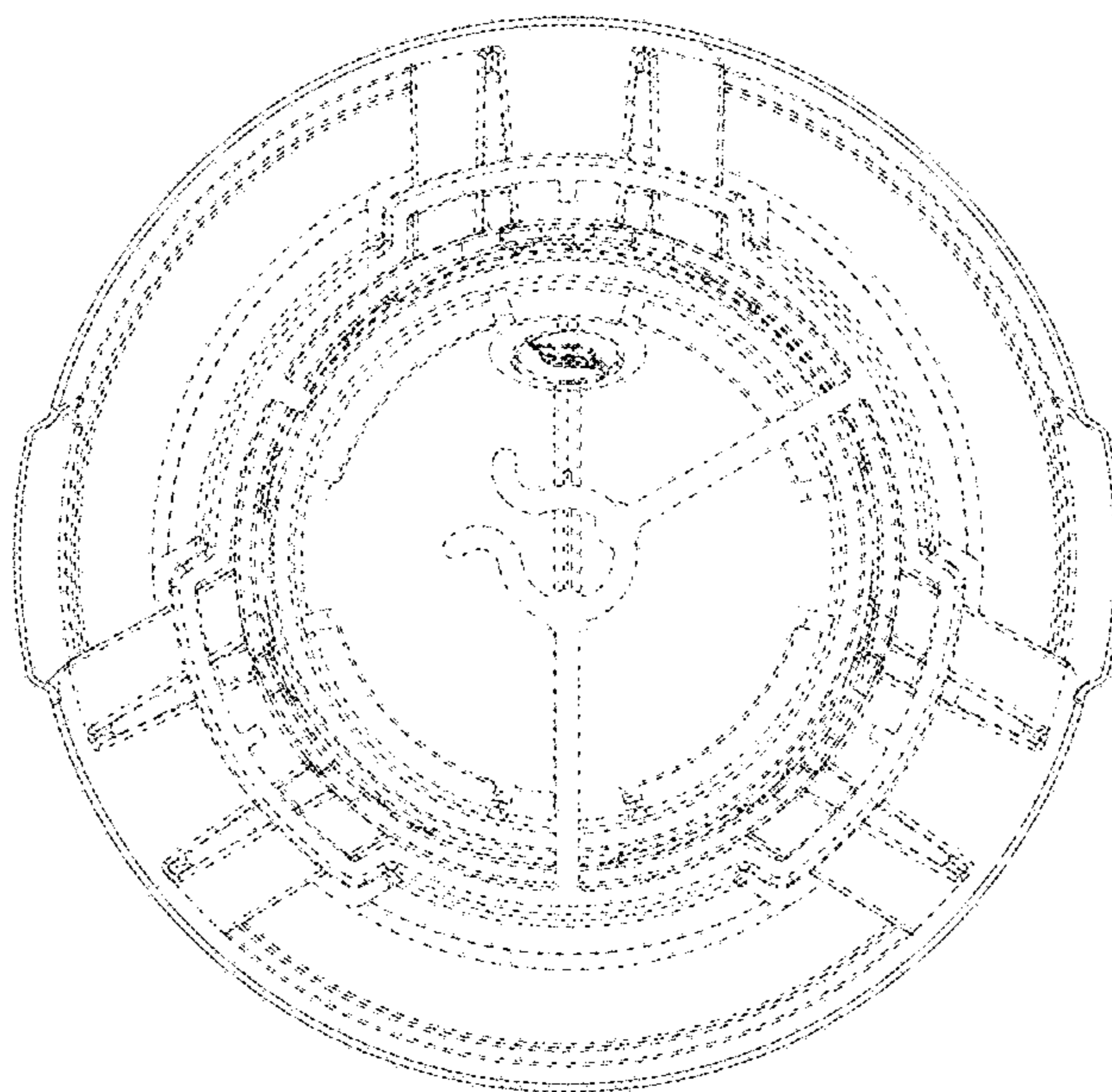
2.4



2.5



2.6



2.7