



US00D815177S

(12) **United States Design Patent**  
**Jeong**

(10) **Patent No.:** **US D815,177 S**  
(45) **Date of Patent:** **\*\* Apr. 10, 2018**

- (54) **NETWORK CAMERA**
- (71) Applicant: **LG INNOTEK CO., LTD.**, Seoul (KR)
- (72) Inventor: **Ki Hyun Jeong**, Seoul (KR)
- (73) Assignee: **LG INNOTEK CO., LTD.**, Seoul (KR)
- (\*\*) Term: **15 Years**
- (21) Appl. No.: **29/582,574**
- (22) Filed: **Oct. 28, 2016**

(30) **Foreign Application Priority Data**

Apr. 29, 2016 (KR) ..... 30-2016-0020447

- (51) **LOC (11) Cl.** ..... **16-01**
- (52) **U.S. Cl.**  
USPC ..... **D16/203**
- (58) **Field of Classification Search**  
USPC ..... D14/130, 144, 132; D16/200–220, 242,  
D16/238; D26/24, 36, 72, 79, 123;  
D10/104.1, 104.2, 106.1, 106.2, 106.5;  
D9/548, 560, 572, 574, 430, 431;  
D29/109–110  
CPC ..... H04N 7/181; H04N 7/183; H04N 7/18;  
H04N 3/08; H04N 5/23248; H04N  
5/23287; H04N 5/23258; H04N 5/2251;  
H04N 5/2252; H04N 2007/145; G01C  
11/025; G03B 15/00; G03B 15/03; G03B  
17/56; G03B 17/02; G03B 17/30; G03B  
17/04; G03B 17/00; G03B 19/04; G03B  
3/00; B60R 1/00; B60R 2300/105; G08B  
13/19619; G08B 13/1963; G08B  
13/19632; F16M 11/04; F16M 13/00;  
Y02E 60/12

See application file for complete search history.

(56) **References Cited**

**U.S. PATENT DOCUMENTS**

- D410,480 S \* 6/1999 Takagi ..... D16/202
- D727,769 S \* 4/2015 Scalisi ..... D10/118.2

- D746,349 S \* 12/2015 Yung ..... D16/203
- D746,889 S \* 1/2016 Moon ..... D16/203
- D748,178 S \* 1/2016 Scalisi ..... D10/118.2
- D748,179 S \* 1/2016 Scalisi ..... D10/118.2
- D748,709 S \* 2/2016 Jeong ..... D16/202

(Continued)

**FOREIGN PATENT DOCUMENTS**

EM 003109818-0001 \* 5/2016

**OTHER PUBLICATIONS**

Oco Camera, announced Jun. 15, 2015 [online], [site visited Mar. 15, 2017], Available from Internet, URL: <<https://www.amazon.com/Oco-Wireless-Surveillance-Monitoring-Security/dp/B0108N1Y0I?th=1>>.\*

(Continued)

*Primary Examiner* — Barbara Fox  
*Assistant Examiner* — Mary C Ramirez  
(74) *Attorney, Agent, or Firm* — Saliwanchik, Lloyd & Eisenschenk

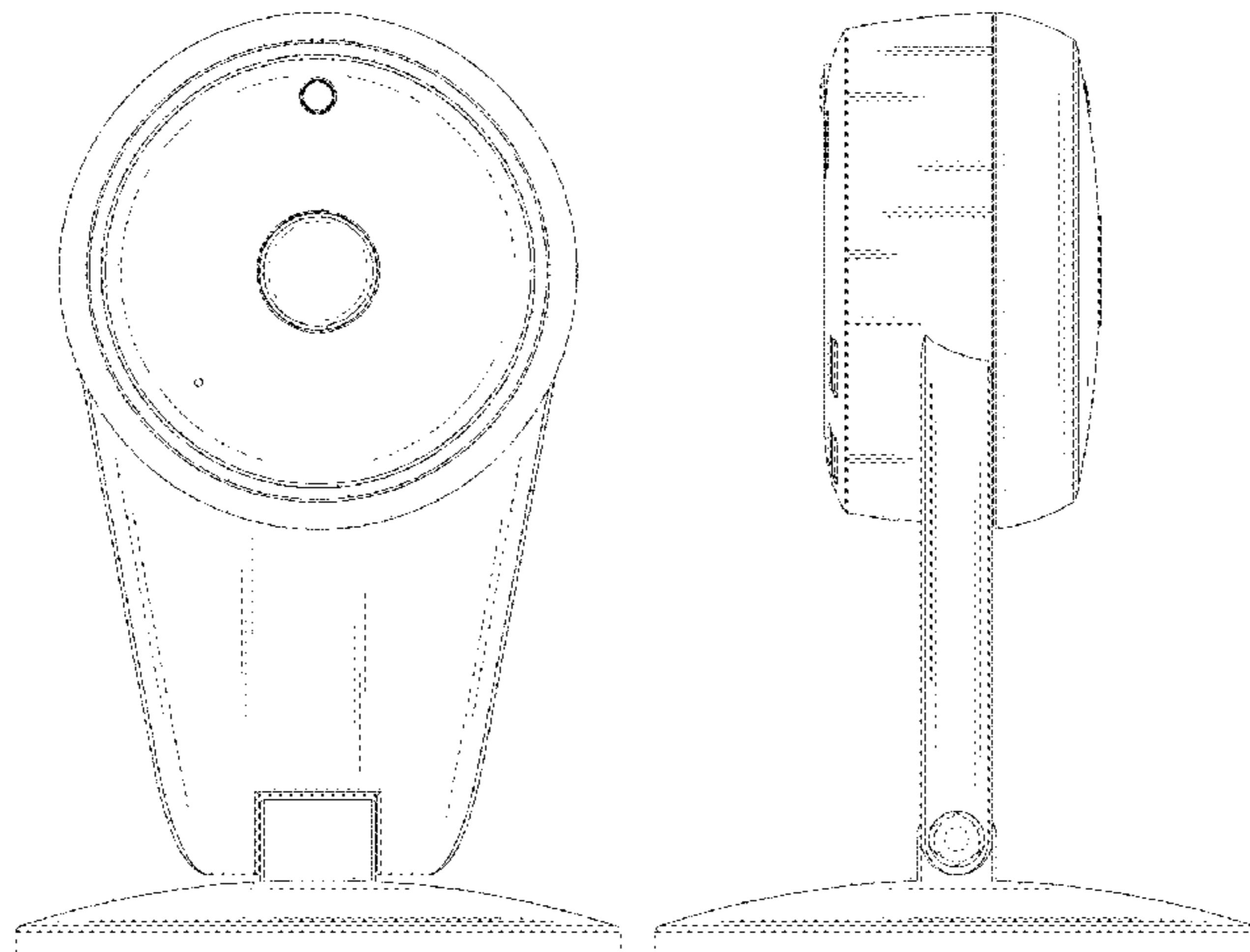
(57) **CLAIM**

The ornamental design for a network camera, as shown and described.

**DESCRIPTION**

FIG. 1 is a front perspective view of a network camera showing the new design;  
FIG. 2 is a front elevation view thereof;  
FIG. 3 is a rear elevation view thereof;  
FIG. 4 is a left side elevation view thereof;  
FIG. 5 is a right side elevation view thereof;  
FIG. 6 is a top plan view thereof; and,  
FIG. 7 is a bottom plan view thereof.  
The broken lines shown in the drawings depict portions of the network camera that form no part of the claimed design.

**1 Claim, 7 Drawing Sheets**



(56)

**References Cited**

## U.S. PATENT DOCUMENTS

D754,233 S \* 4/2016 Du ..... D16/211  
D760,829 S \* 7/2016 Pacurariu ..... D16/202  
9,388,934 B1 \* 7/2016 Kilgore ..... H04N 5/2251  
9,454,820 B1 \* 9/2016 Kirmani ..... H04N 7/18  
D776,180 S \* 1/2017 Fiedler ..... D16/202  
2016/0041456 A1 \* 2/2016 Kamiya ..... G03B 17/04  
396/56  
2016/0044287 A1 \* 2/2016 Scalisi ..... G08B 13/19684  
348/159  
2016/0363837 A1 \* 12/2016 Kilgore ..... F16M 11/2064

## OTHER PUBLICATIONS

Nest Camera, announced Nov. 16, 2015 [online], [site visited Mar. 15, 2017], Available from Internet, URL: <<https://www.amazon.com/Nest-Indoor-Security-Camera-Pack/dp/B0177FO9X4>>.\*

Dropcam Pro, announced Jul. 22, 2014 [online], [site visited Mar. 30, 2017], Available from Internet, URL: <<https://www.youtube.com/watch?v=-zgrd9C4LHM>> at approximately 0:47.\*

Wireless IP WiFi Indoor IR Camera, announced Aug. 22, 2015 [online], [site visited Mar. 30, 2017], Available from Internet, URL: <<https://www.youtube.com/watch?v=xwvpSgVQ5P8>> at approximately 0:09.\*

\* cited by examiner

FIG. 1

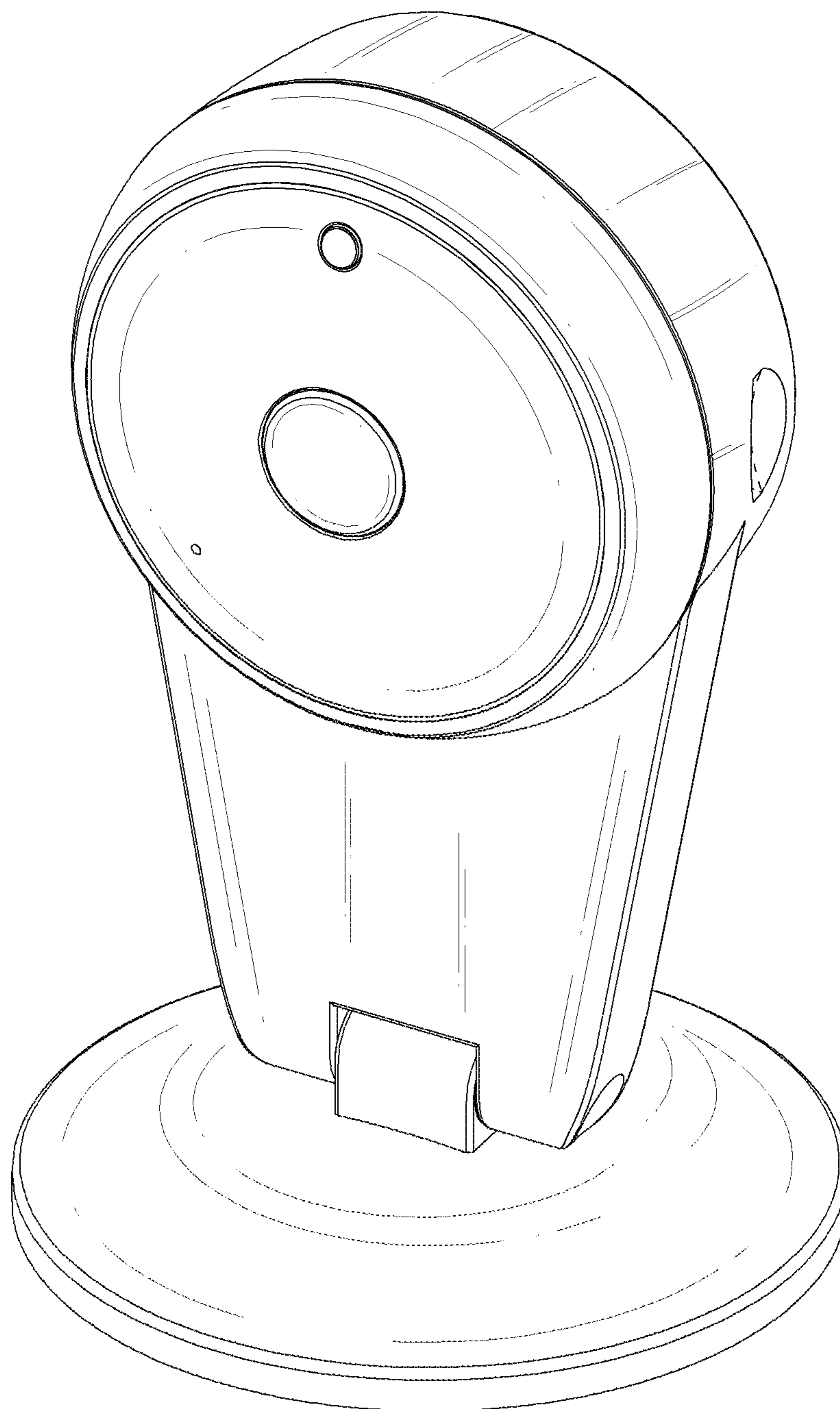


FIG. 2

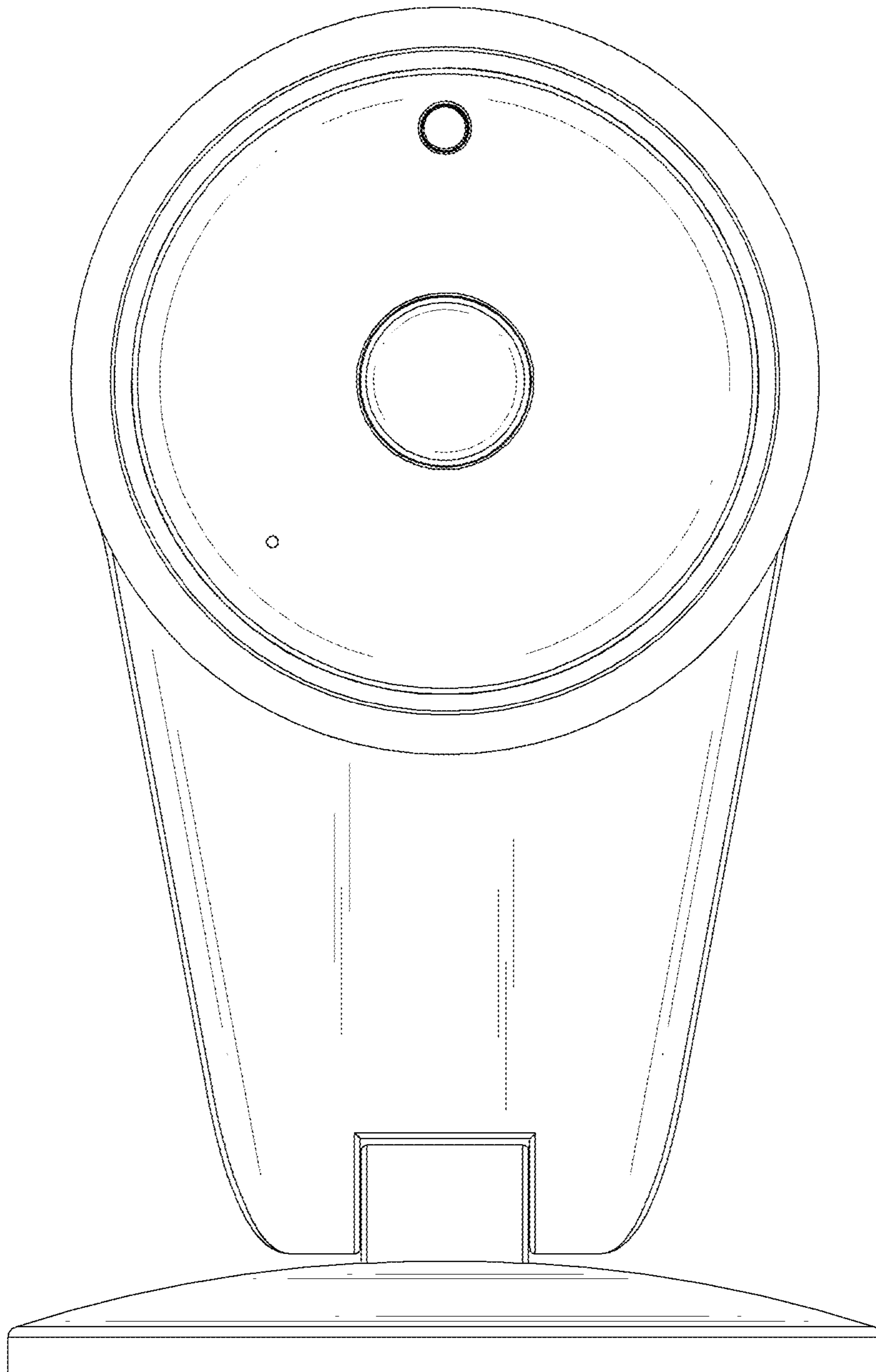




FIG. 3

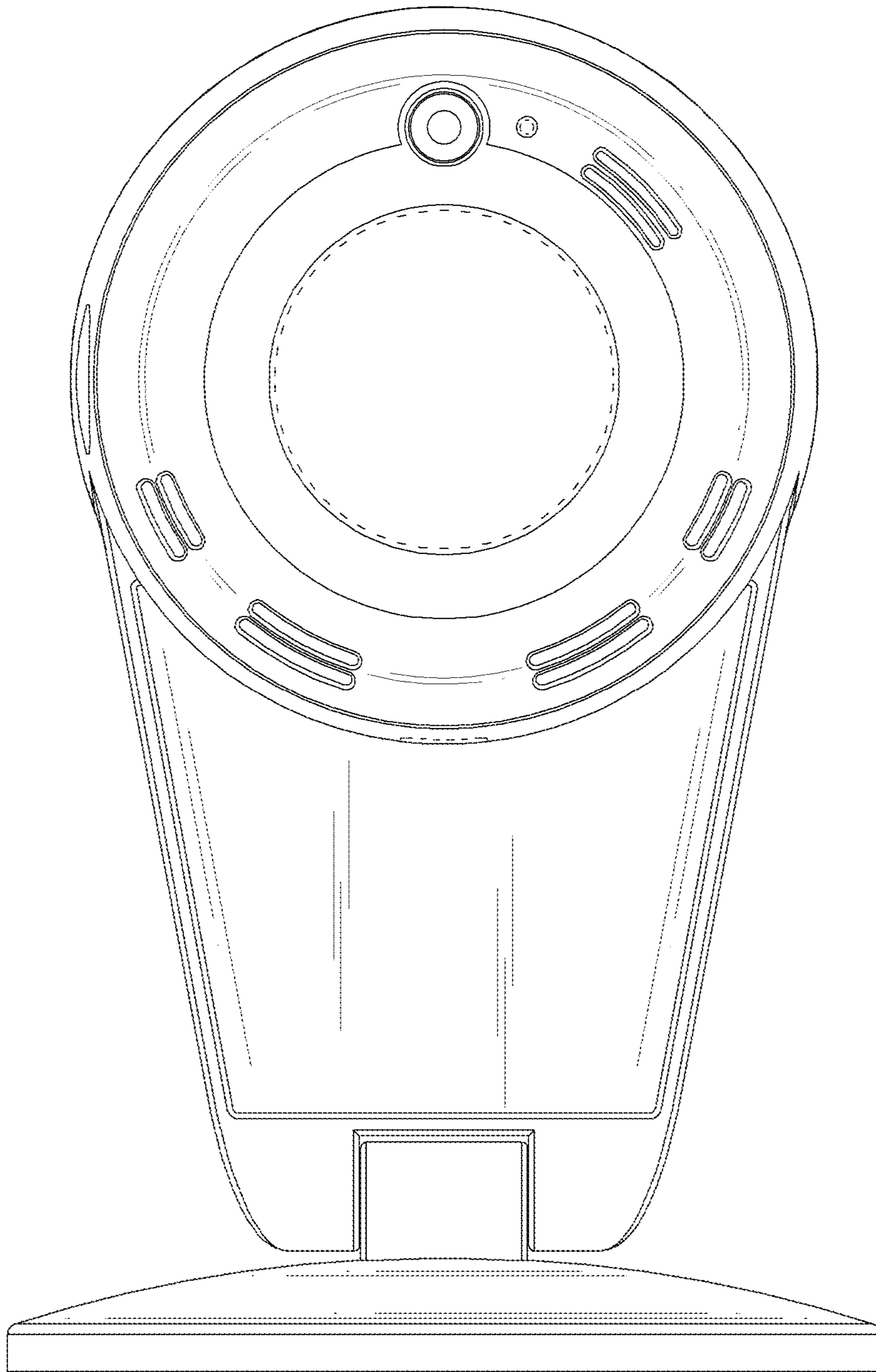


FIG. 4

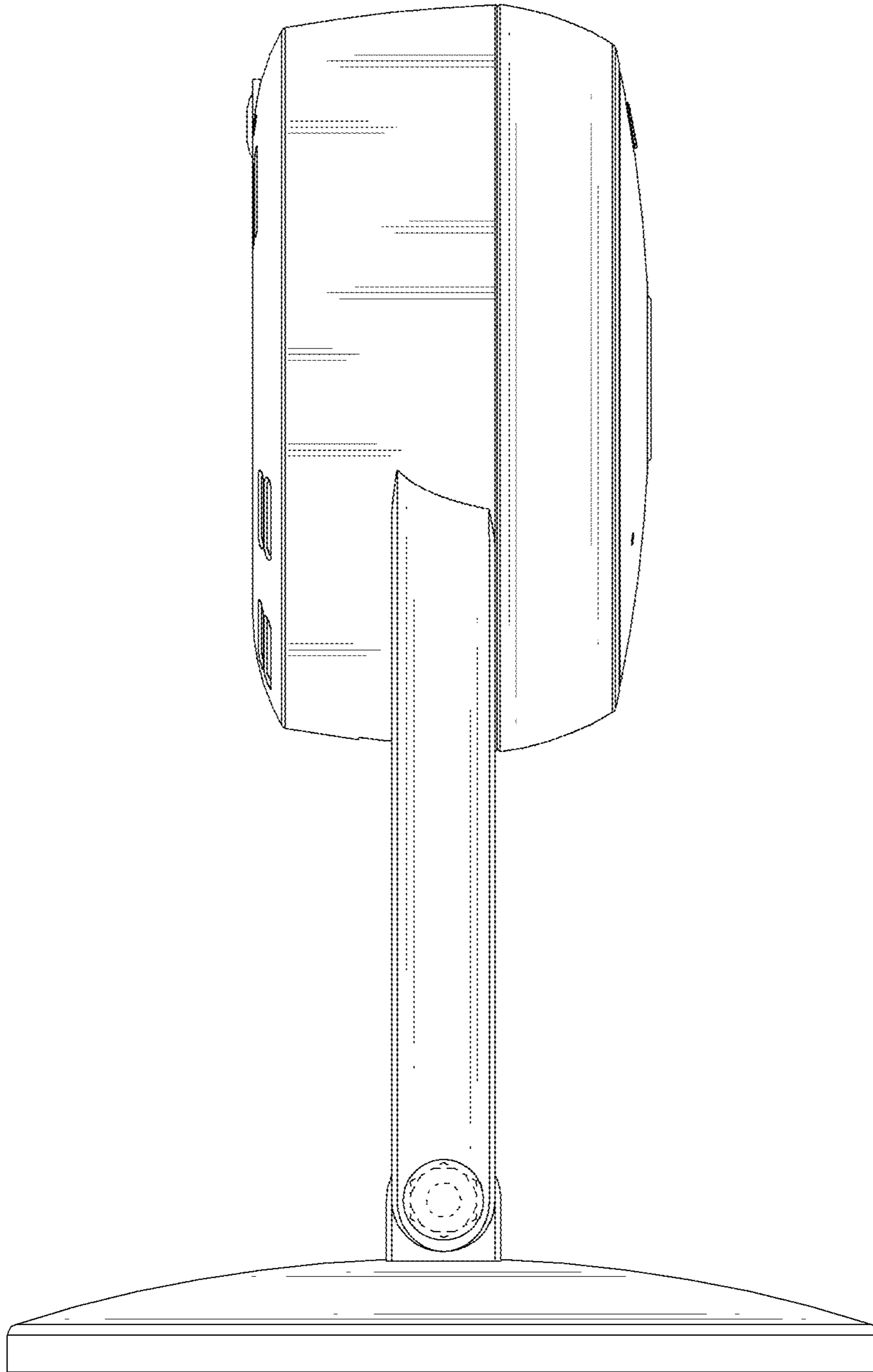


FIG. 5

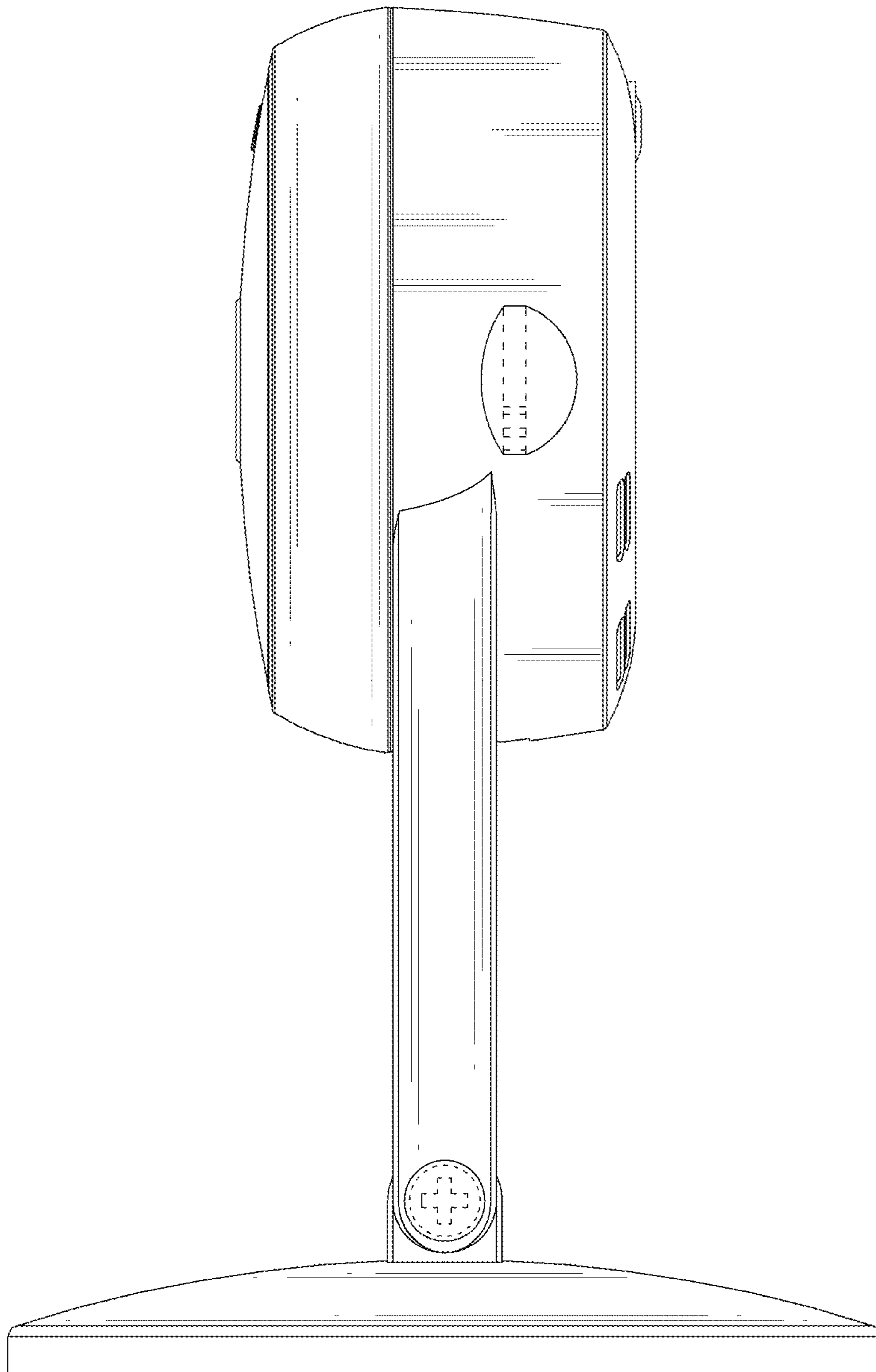


FIG. 6

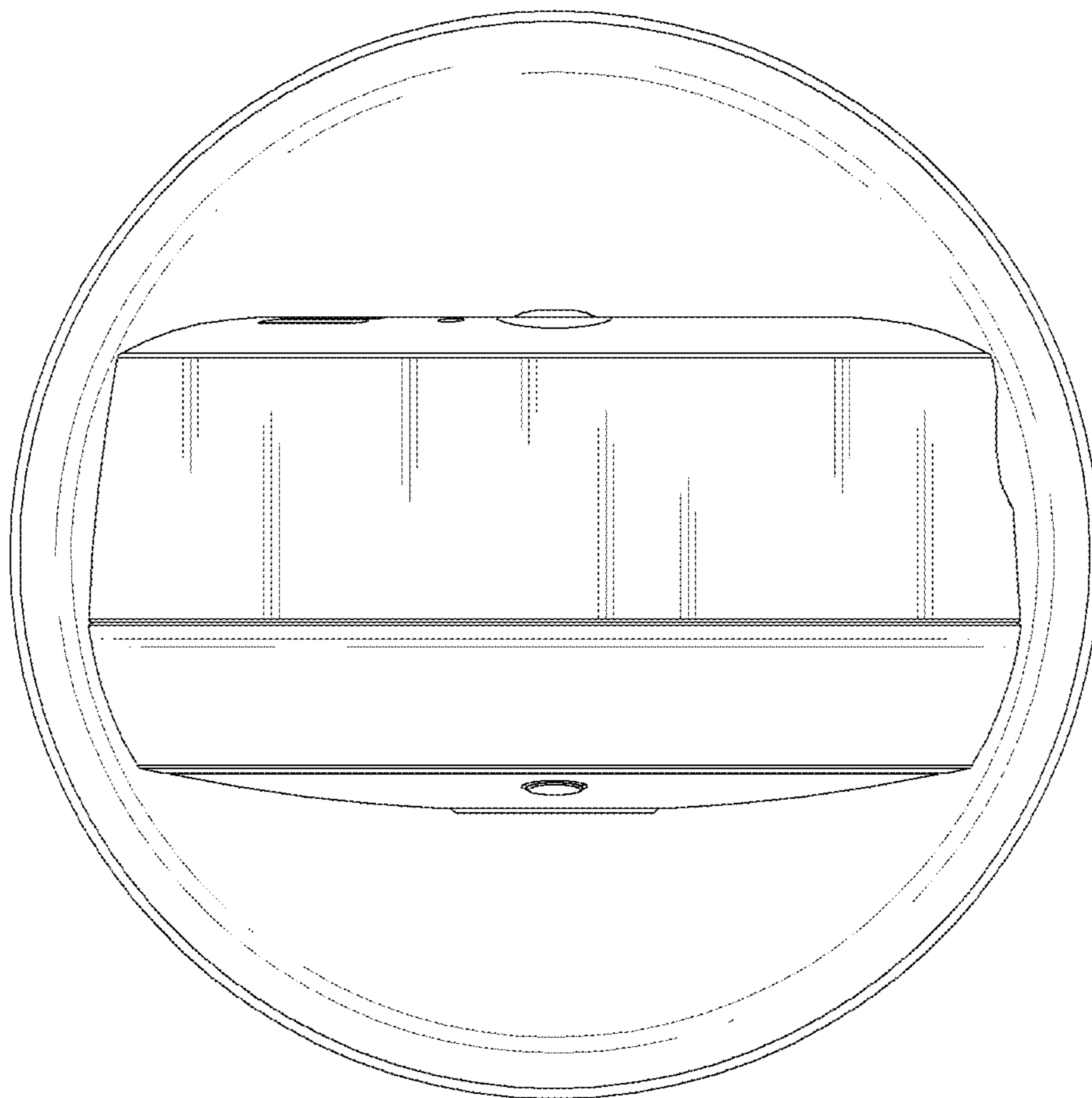




FIG. 7

