



US00D815176S

(12) **United States Design Patent** (10) **Patent No.:** **US D815,176 S**
Ahman et al. (45) **Date of Patent:** **** Apr. 10, 2018**

(54) **MONITORING CAMERA**

(71) Applicant: **Axis AB**, Lund (SE)

(72) Inventors: **Daniel Ahman**, Lomma (SE); **Erik Gustafsson**, Lund (SE); **Mathias Walter**, Arlov (SE); **Morten Bergstrom**, Lund (SE); **Stefan Moller**, Helsingborg (SE); **Gustav Aronsson**, Malmo (SE); **Jonas Lellky**, Veberod (SE); **Mattias Bognas**, Malmo (SE)

(73) Assignee: **AXIS AB**, Lund (SE)

(**) Term: **15 Years**

(21) Appl. No.: **29/579,326**

(22) Filed: **Sep. 29, 2016**

(30) **Foreign Application Priority Data**

Mar. 31, 2016 (EM) 003050210

(51) **LOC (11) Cl.** **16-01**

(52) **U.S. Cl.**
USPC **D16/203**

(58) **Field of Classification Search**
USPC D16/200–220, 229, 230, 242, 244, 245, D16/238, 225; D14/496, 203.1, 203.3, D14/203.7; D28/41
CPC H04N 7/181; H04N 7/183; H04N 7/18; H04N 3/08; H04N 5/23248; H04N 5/23287; H04N 5/23258; H04N 5/2251; H04N 5/2252; H04N 2007/145; H04N 7/00; G01C 11/025; G02B 5/00; G03B 15/00; G03B 15/03; G03B 17/56; G03B 17/02; G03B 17/30; G03B 17/04; G03B 17/00; G03B 19/04; G03B 3/00; B60R 1/00; B60R 2300/105; G08B 13/19619; G08B 13/1963; G08B 13/19632; G08B 13/19621; F16M 11/04; F16M 13/00; Y02E 60/12

See application file for complete search history.

(56) **References Cited**

U.S. PATENT DOCUMENTS

D223,360 S * 4/1972 Ortega et al. D16/200
D252,930 S * 9/1979 Wheeler D16/202
(Continued)

FOREIGN PATENT DOCUMENTS

BR DI7001473-0001 * 11/2010
CN 302661768 * 11/2013
(Continued)

OTHER PUBLICATIONS

Axis PTZ Positioning Cameras, announced Feb. 3, 2017 [online], [site visited Aug. 4, 2017], Available from Internet, URL: <<https://americansecuritytoday.com/axis-launches-new-ptz-positioning-cameras-see-action-video/https://www.computeruniverse.net/en/products/90530605/axis-p1355-e.asp>>.*

(Continued)

Primary Examiner — Barbara Fox

Assistant Examiner — Mary C Ramirez

(74) *Attorney, Agent, or Firm* — Volpe and Koenig, P.C.

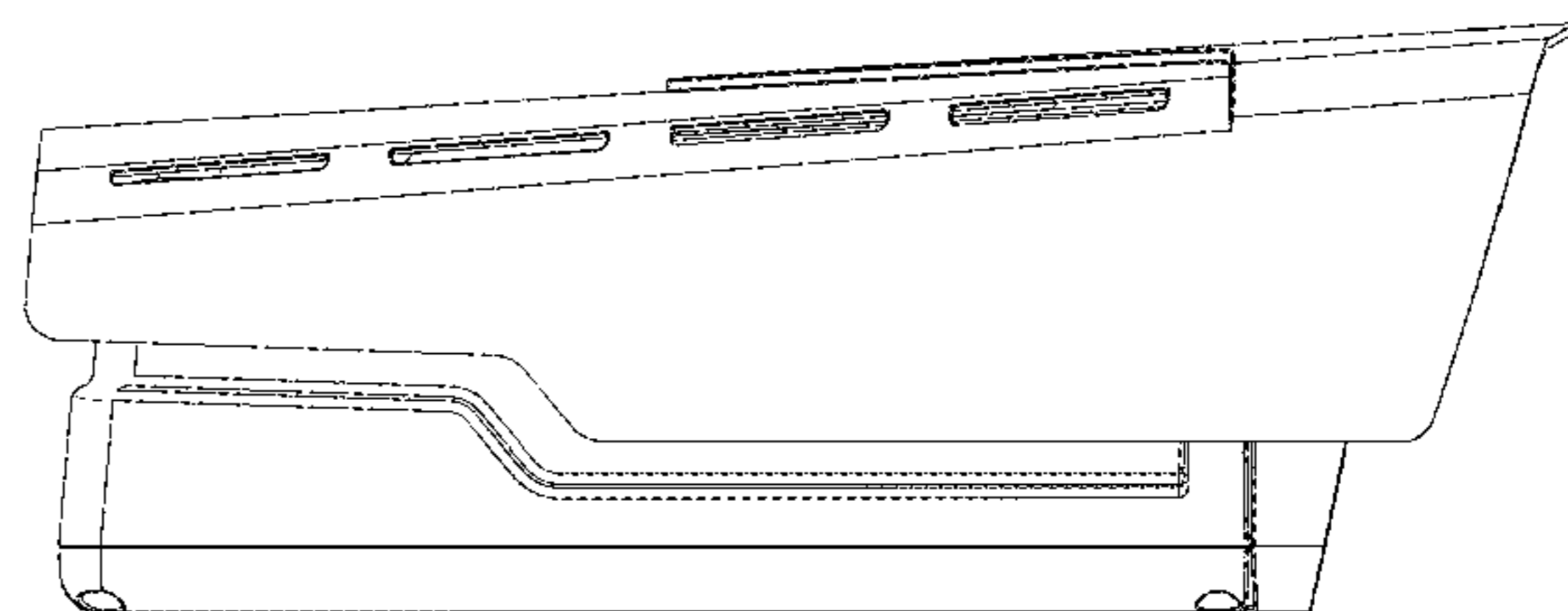
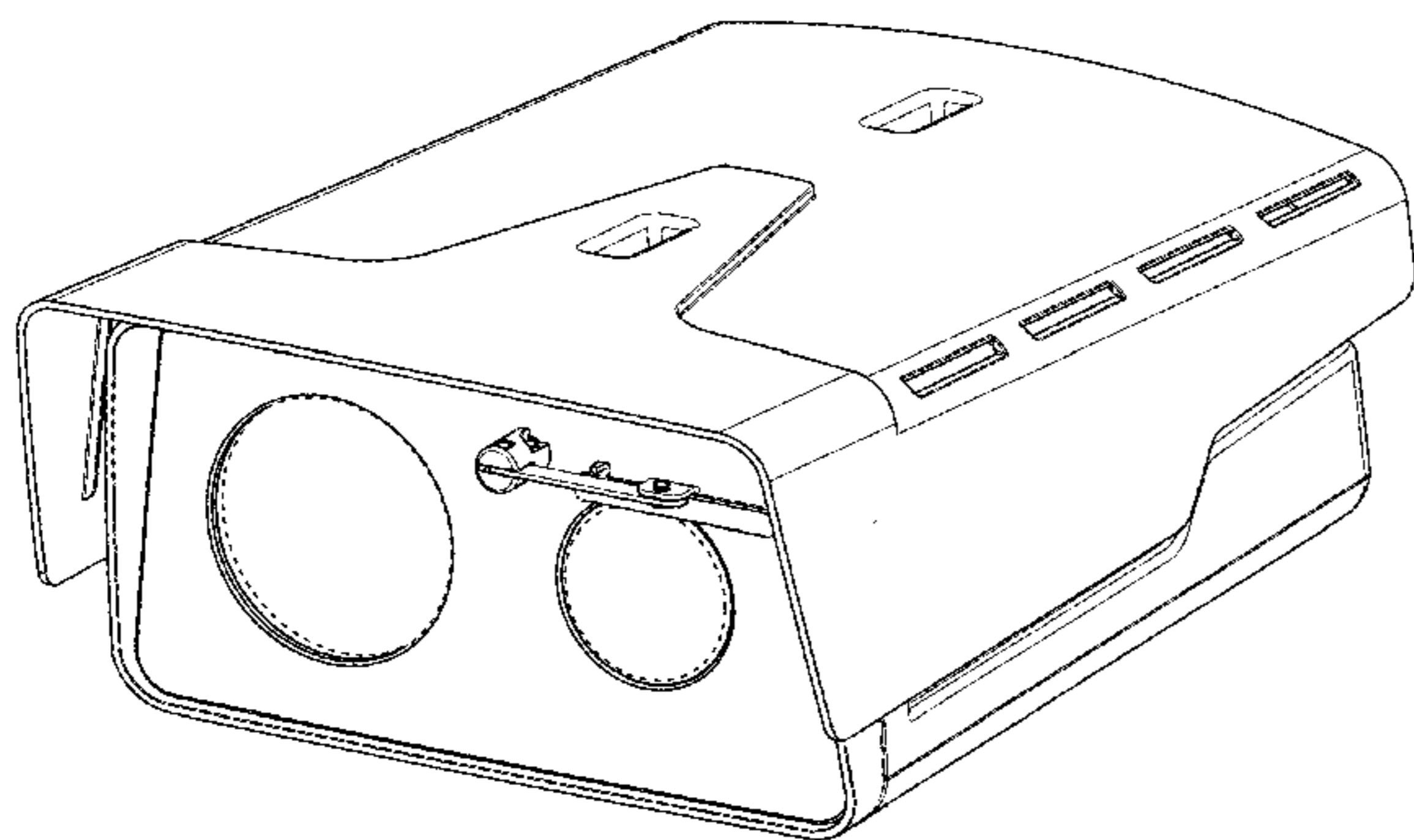
(57) **CLAIM**

We claim the ornamental design for a monitoring camera, as shown and described.

DESCRIPTION

FIG. 1 is a top, front, right perspective view of a monitoring camera in accordance with our design;
FIG. 2 is a top plan view thereof;
FIG. 3 is a front elevational view thereof;
FIG. 4 is a left side elevational view thereof;
FIG. 5 is a right side elevational view thereof;
FIG. 6 is a bottom plan view thereof; and,
FIG. 7 is a rear elevational view thereof.

(Continued)



The broken lines shown in the drawings depict portions of the monitoring camera that form no part of the claimed design.

1 Claim, 7 Drawing Sheets

(56)

References Cited

U.S. PATENT DOCUMENTS

D307,915 S *	5/1990	Kuester, III	D16/203
D484,160 S *	12/2003	Kangasmaa	D16/202
D487,914 S *	3/2004	Schulze	D23/209
D552,145 S *	10/2007	Grotto	D16/200
D574,028 S *	7/2008	Vernon	D16/208
D637,640 S *	5/2011	Park	D16/203
D661,719 S *	6/2012	Katori	D16/203
D671,157 S *	11/2012	Richardson	D16/202
D684,619 S *	6/2013	Chapple	D16/203
D691,187 S *	10/2013	Seo	D16/203
D741,933 S *	10/2015	Bergstrom	D16/203
D742,259 S *	11/2015	Schulze	D10/70
D753,207 S *	4/2016	Katori	D16/203
D782,414 S *	3/2017	Worthington	D13/103
D784,435 S *	4/2017	Katori	D16/203

FOREIGN PATENT DOCUMENTS

CN	302726273	*	1/2014
CN	302781415	*	4/2014
CN	302830293	*	5/2014
CN	303655731	*	4/2016
CN	304006136	*	1/2017
EM	002344721-04		11/2012
EM	002344721-01		11/2013
EM	002344721-02		11/2013
EM	002344721-03		11/2013
JP	D1508029		9/2014
TW	D118417		8/1995
TW	D171773		11/2015
TW	D171776		11/2015

OTHER PUBLICATIONS

Axis Positioning Cameras, announced Feb. 6, 2017 [online], [site visited Aug. 4, 2017], Available from Internet, URL: <<http://www.ind-safety.com/axis-launches-new-range-positioning-cameras-enhanced-responsiveness-wide-area-surveillance/>>.*

* cited by examiner

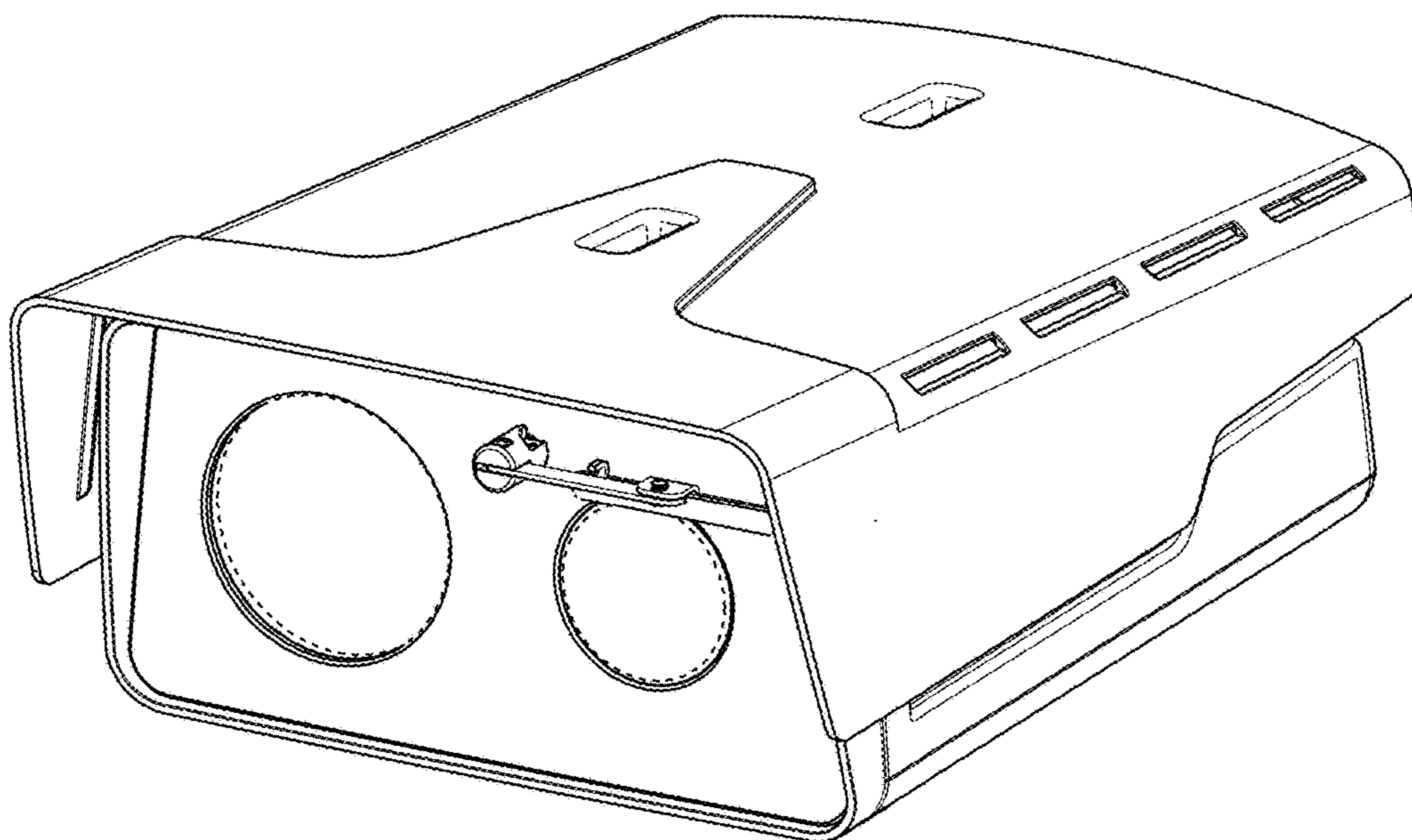


Fig. 1

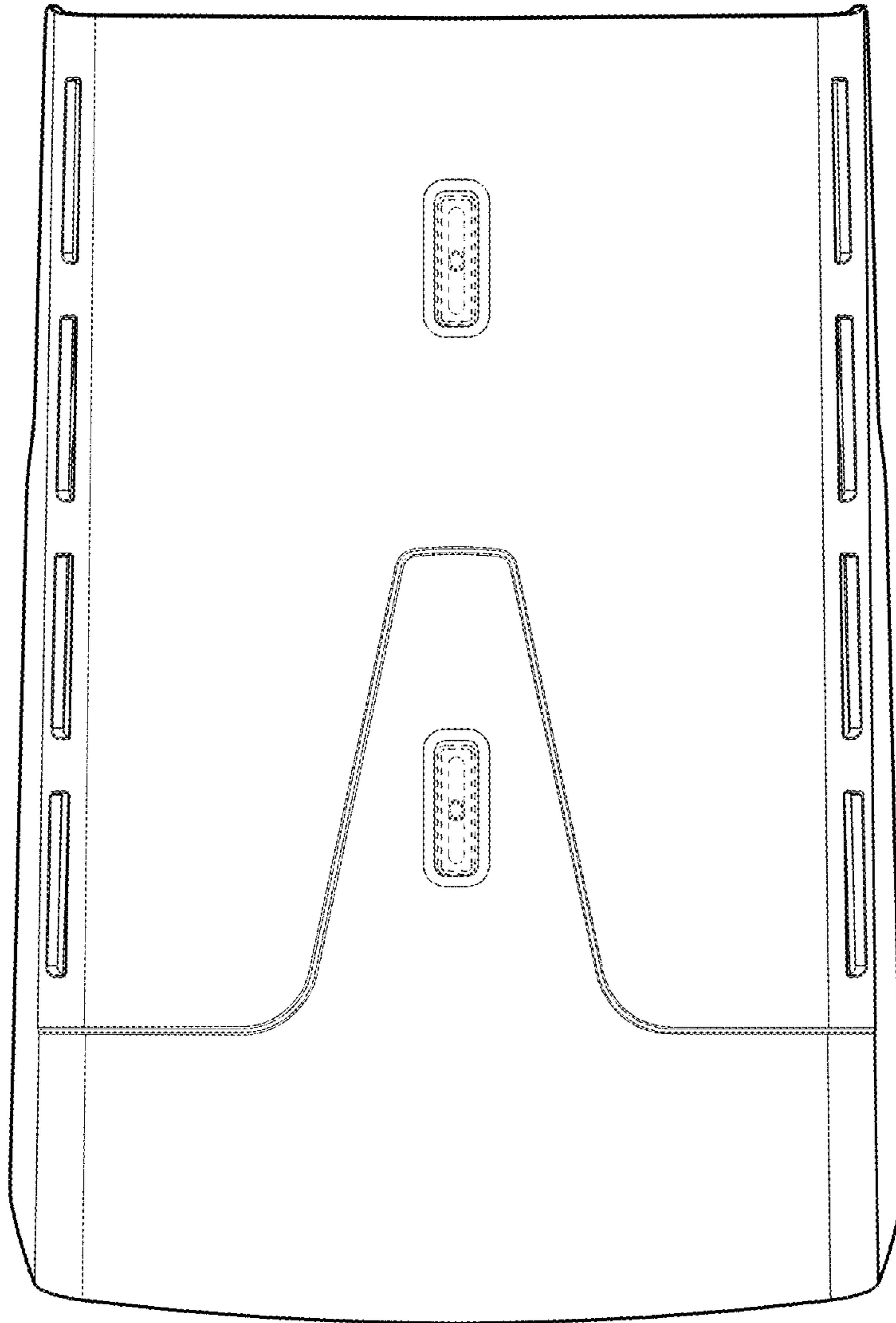


Fig. 2

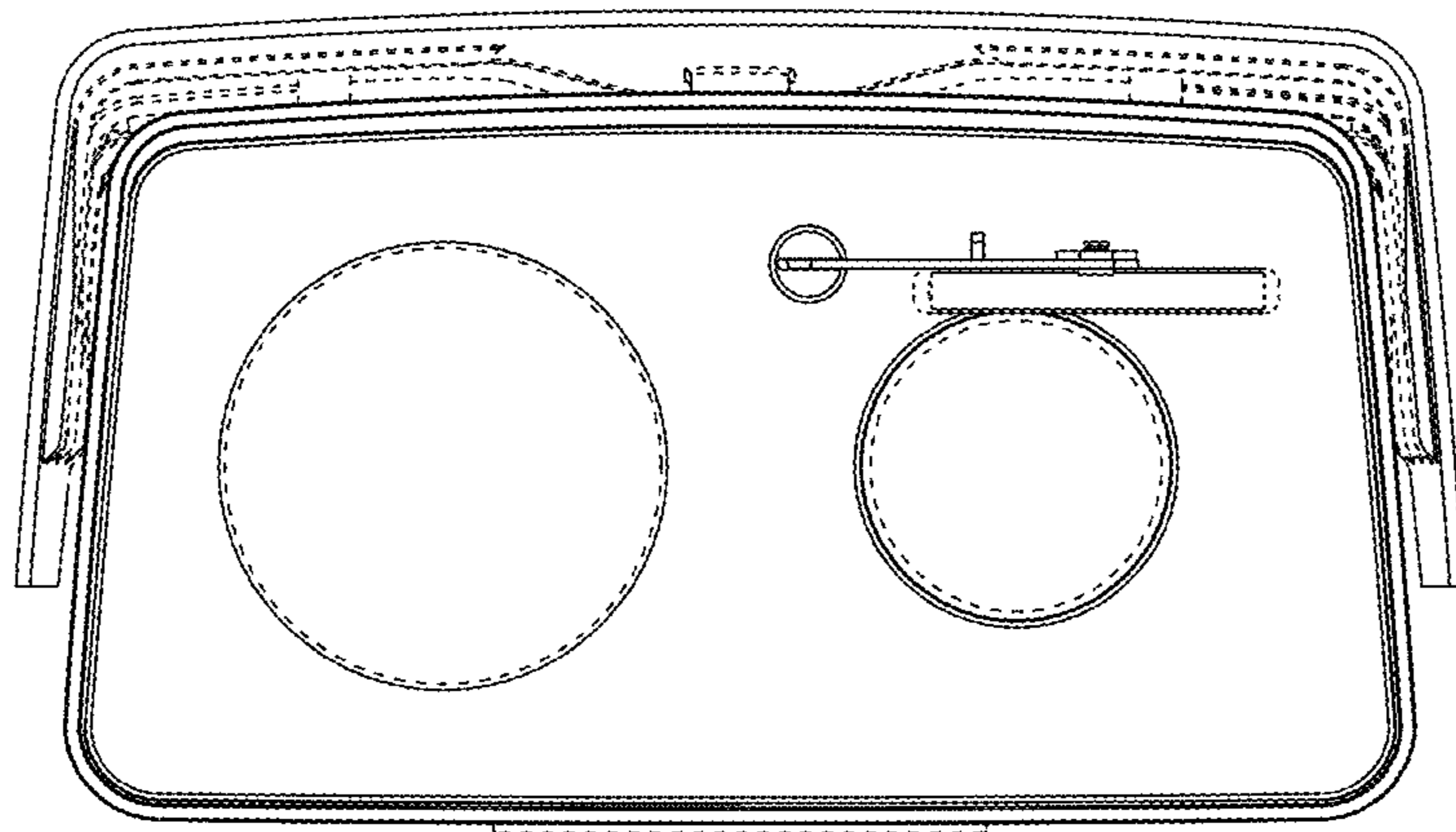


Fig. 3

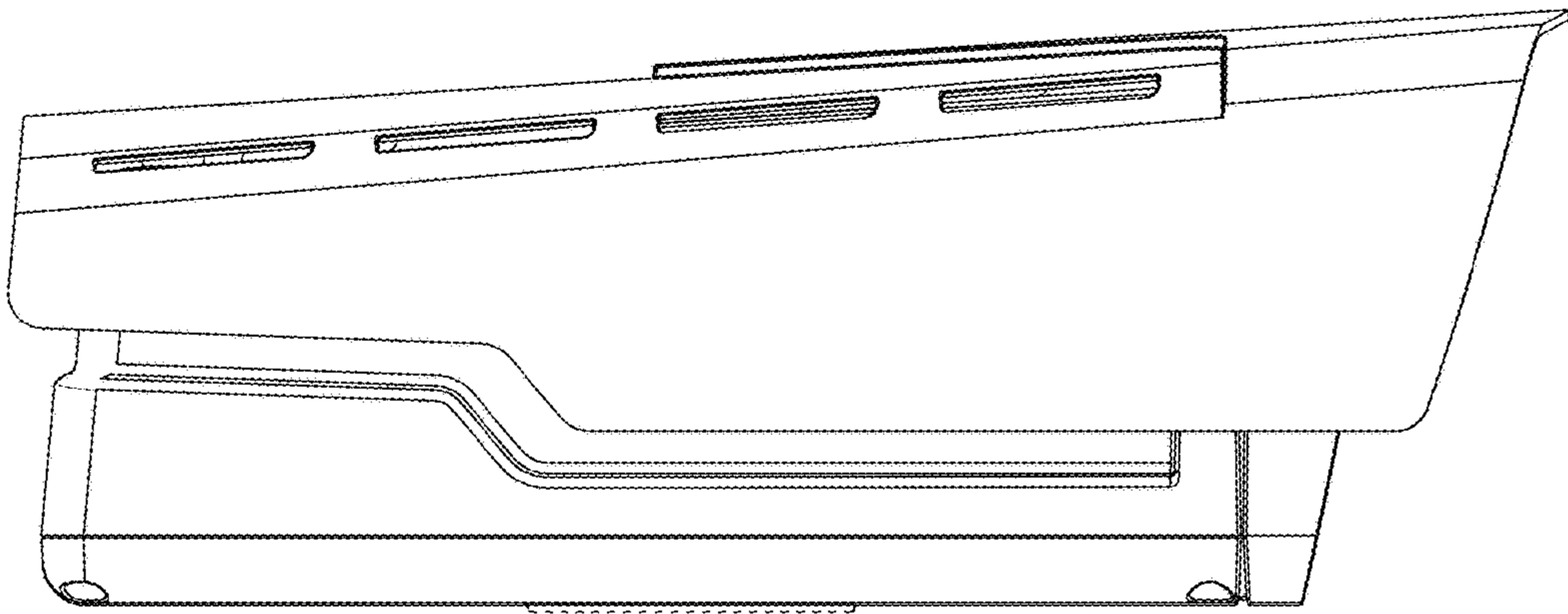


Fig. 4

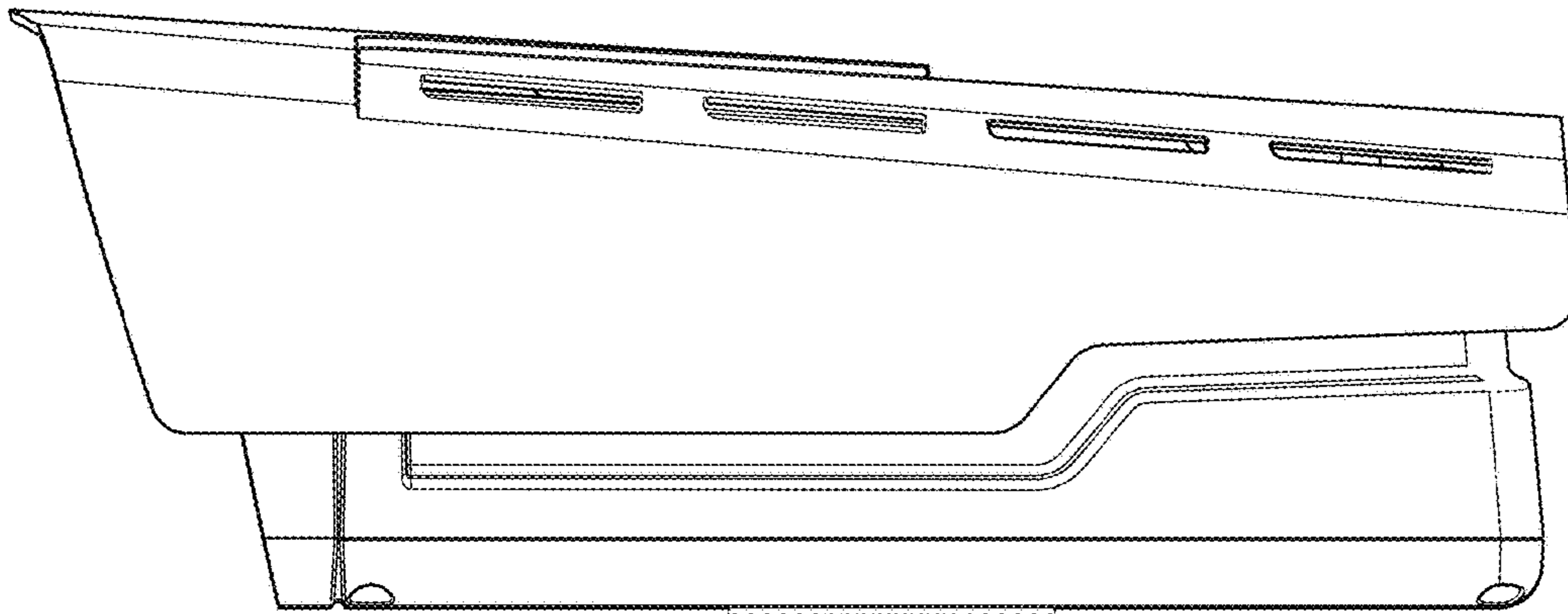


Fig. 5

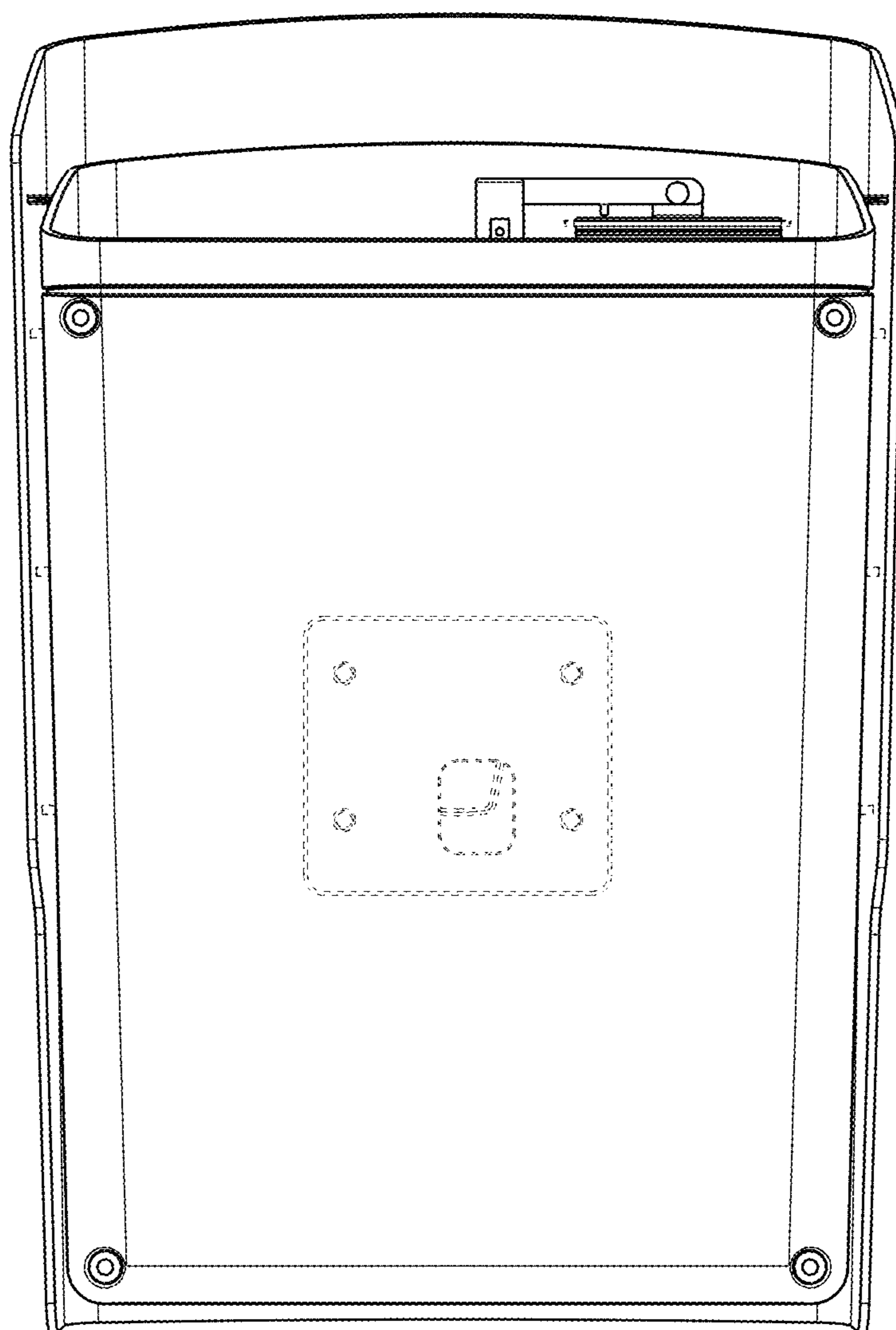


Fig. 6

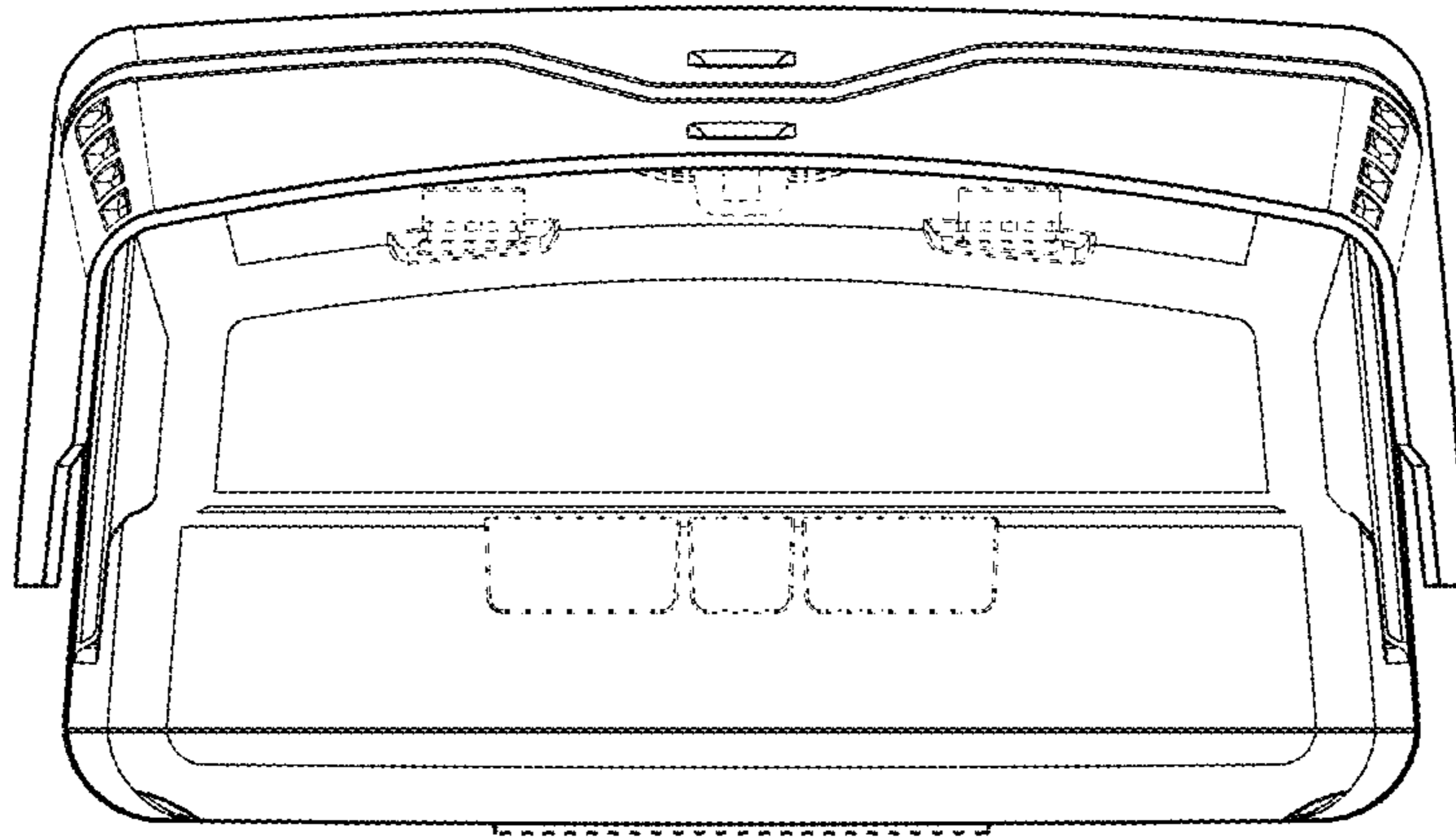


Fig. 7