



US00D815175S

(12) **United States Design Patent**
Gravis et al.

(10) **Patent No.:** **US D815,175 S**
(45) **Date of Patent:** **** Apr. 10, 2018**

- (54) **SECURITY CAMERA HOUSING**
- (71) Applicant: **Auglle, LLC**, Boerne, TX (US)
- (72) Inventors: **Valdis Gravis**, San Antonio, TX (US);
James McVey, San Antonio, TX (US)
- (**) Term: **15 Years**
- (21) Appl. No.: **29/562,899**
- (22) Filed: **Apr. 29, 2016**
- (51) **LOC (11) Cl.** **16-01**
- (52) **U.S. Cl.**
USPC **D16/203**
- (58) **Field of Classification Search**
USPC D14/130, 144, 132; D16/200–220, 242,
D16/238; D26/24, 36, 72, 79, 123;
D10/104.1, 104.2, 106.1, 106.2, 106.5;
D9/548, 560, 572, 574, 430, 431;
D29/109–110
CPC H04N 7/181; H04N 7/183; H04N 7/18;
H04N 3/08; H04N 5/23248; H04N
5/23287; H04N 5/23258; H04N 5/2251;
H04N 5/2252; H04N 2007/145; G01C
11/025; G03B 15/00; G03B 15/03; G03B
17/56; G03B 17/02; G03B 17/30; G03B
17/04; G03B 17/00; G03B 19/04; G03B
3/00; B60R 1/00; B60R 2300/105; G08B
13/19619; G08B 13/1963; G08B
13/19632; F16M 11/04; F16M 13/00;
Y02E 60/12
See application file for complete search history.

(56) **References Cited**

U.S. PATENT DOCUMENTS

- D204,682 S * 5/1966 Benson D26/24
- D212,900 S * 12/1968 Vesley et al. D26/24
- D233,319 S * 10/1974 Skarman D10/106.1
- D276,029 S * 10/1984 Skarman D10/106.2
- D408,041 S * 4/1999 Hall D14/130
- D501,016 S * 1/2005 Hamilton D16/202
- D571,244 S * 6/2008 Barrantes D10/104.1

- D624,686 S * 9/2010 Toney, Jr. D26/72
- D720,789 S * 1/2015 Minamide D16/203
- D722,194 S * 2/2015 Guercio D26/89
- D727,387 S * 4/2015 Hasegawa D16/203
- D743,472 S * 11/2015 Tanifuji D16/203
- D751,618 S * 3/2016 Hinkel D16/203
- D766,222 S * 9/2016 Chen D14/240
- D766,223 S * 9/2016 Chen D14/240
- D783,884 S * 4/2017 Li D26/89
- D785,230 S * 4/2017 Shundong D26/89
- D808,564 S * 1/2018 Zheng D26/72

(Continued)

OTHER PUBLICATIONS

Auglle, announced May 2, 2016, [site visited Apr. 10, 2017], Available from Internet, URL: <<http://www.prnewswire.com/news-releases/san-antonio-entrepreneur-paul-duran-who-founded-greenstar-led-launches-auglle-llc-aims-to-change-the-philosophy-of-how-security-surveillance-systems-work-300260524.html>>.*

Primary Examiner — Barbara Fox
Assistant Examiner — Mary C Ramirez
(74) *Attorney, Agent, or Firm* — Gunn, Lee & Cave, P.C.;
John C. Cave

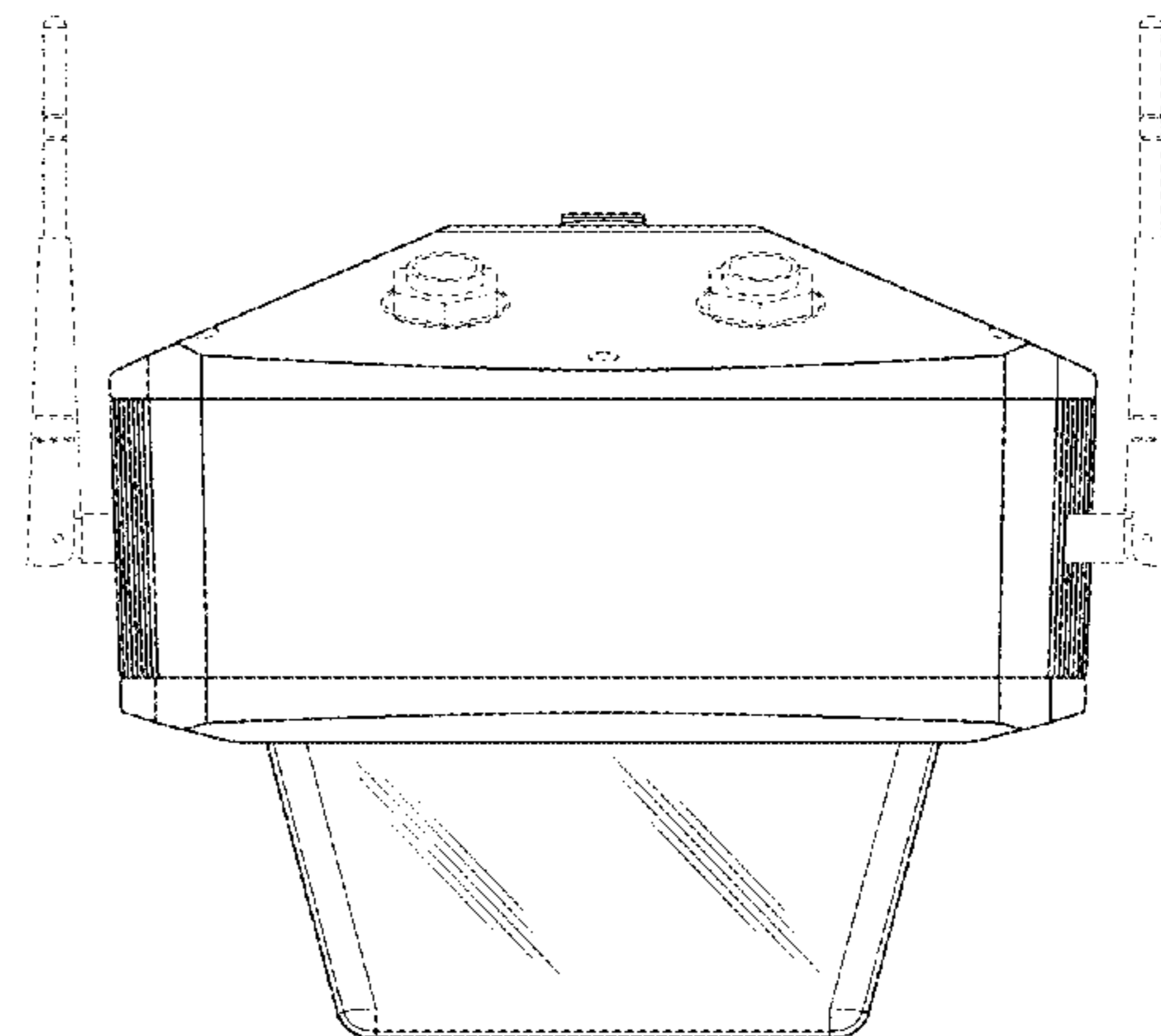
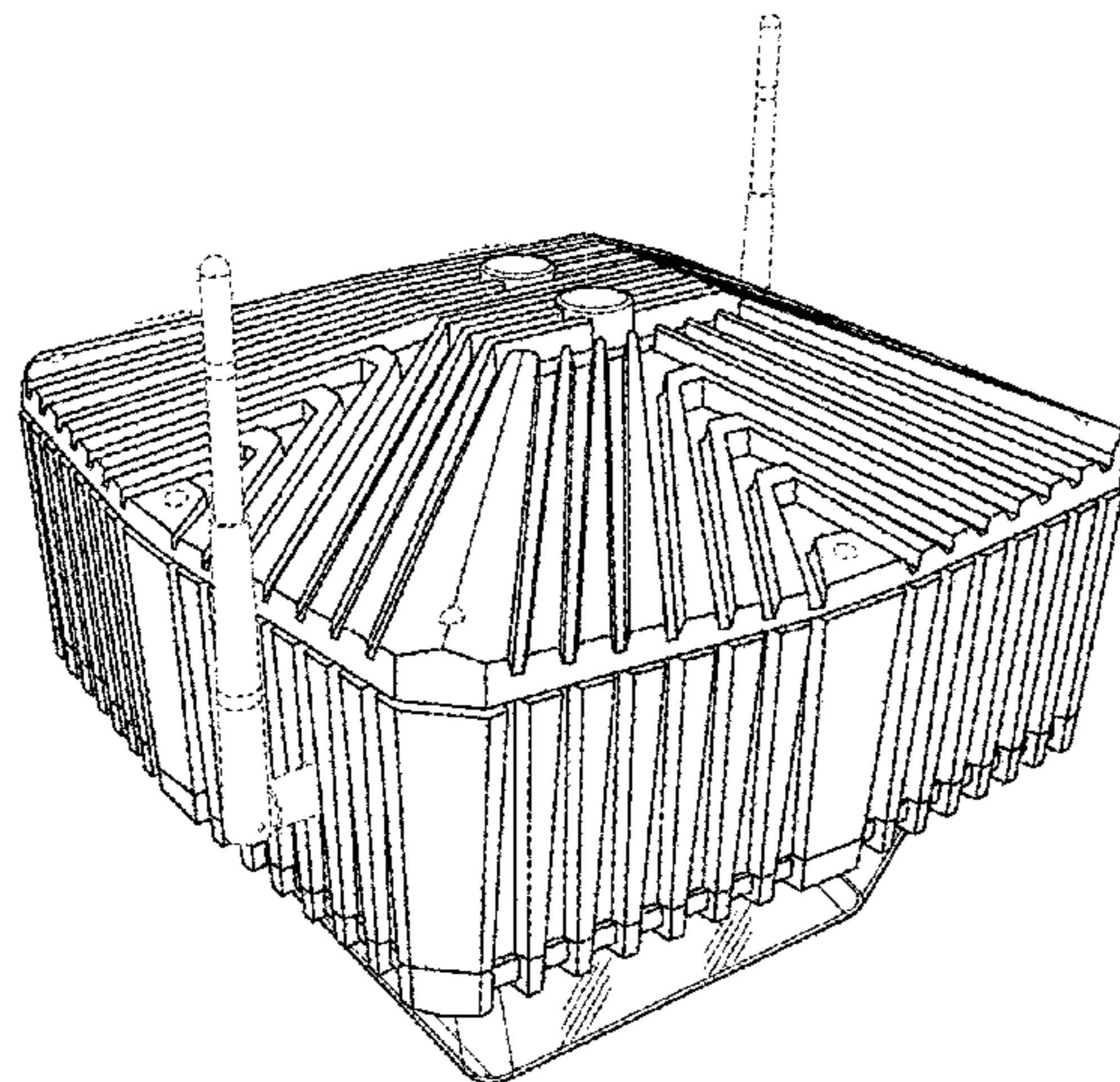
(57) **CLAIM**

The ornamental design for a security camera housing, as shown and described.

DESCRIPTION

FIG. 1 is a front perspective view of the security camera housing showing the new design.
FIG. 2 is a front view thereof.
FIG. 3 is a back view thereof.
FIG. 4 is a left side view thereof.
FIG. 5 is a right side view thereof.
FIG. 6 is a top view thereof; and,
FIG. 7 is a bottom view thereof.
The broken lines shown in the drawings illustrate portions of the security camera housing that form no part of the claimed design.

1 Claim, 4 Drawing Sheets



(56)

References Cited

U.S. PATENT DOCUMENTS

2008/0170380 A1* 7/2008 Pastore G01N 21/8806
362/16

* cited by examiner

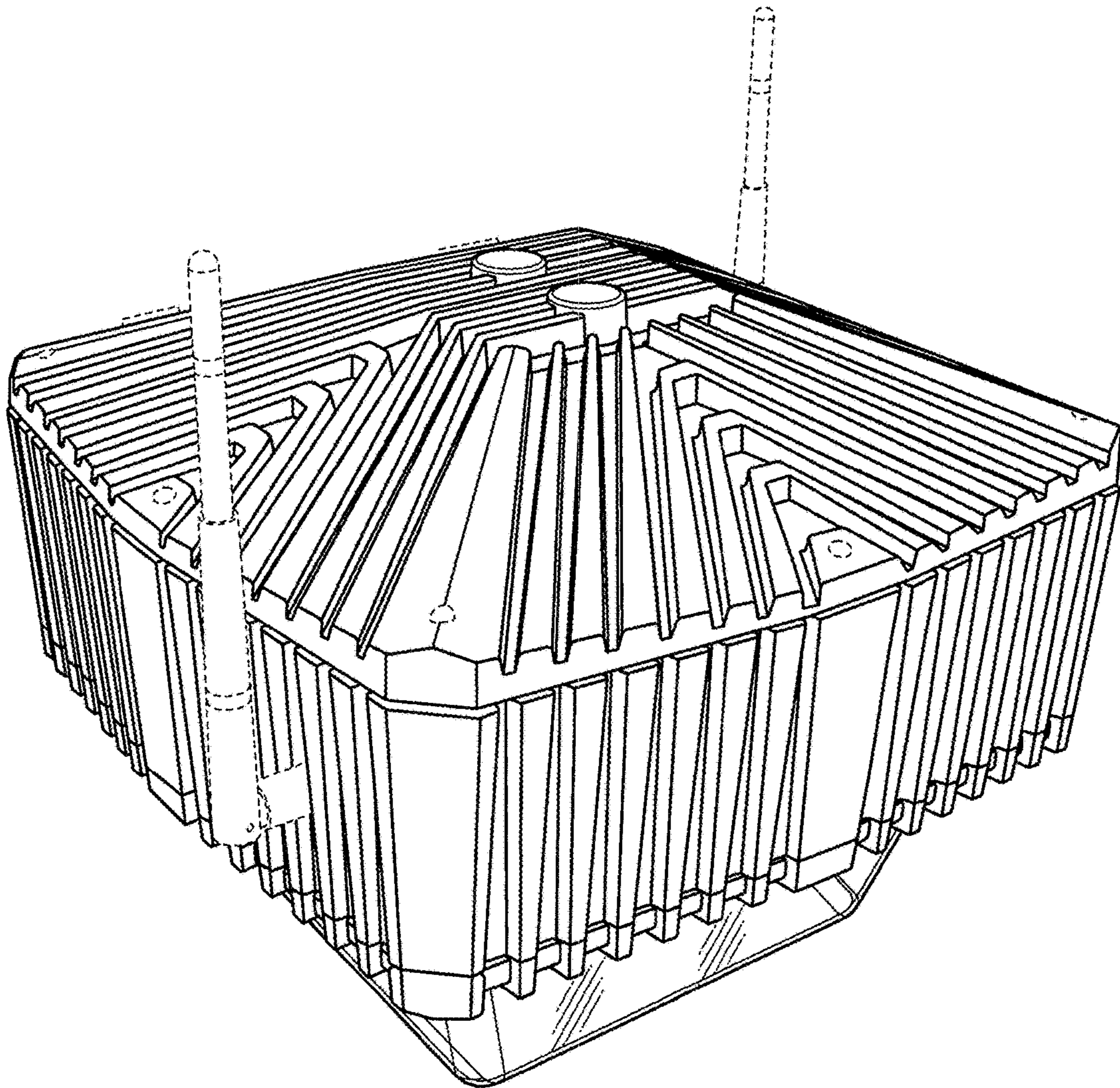


FIG. 1

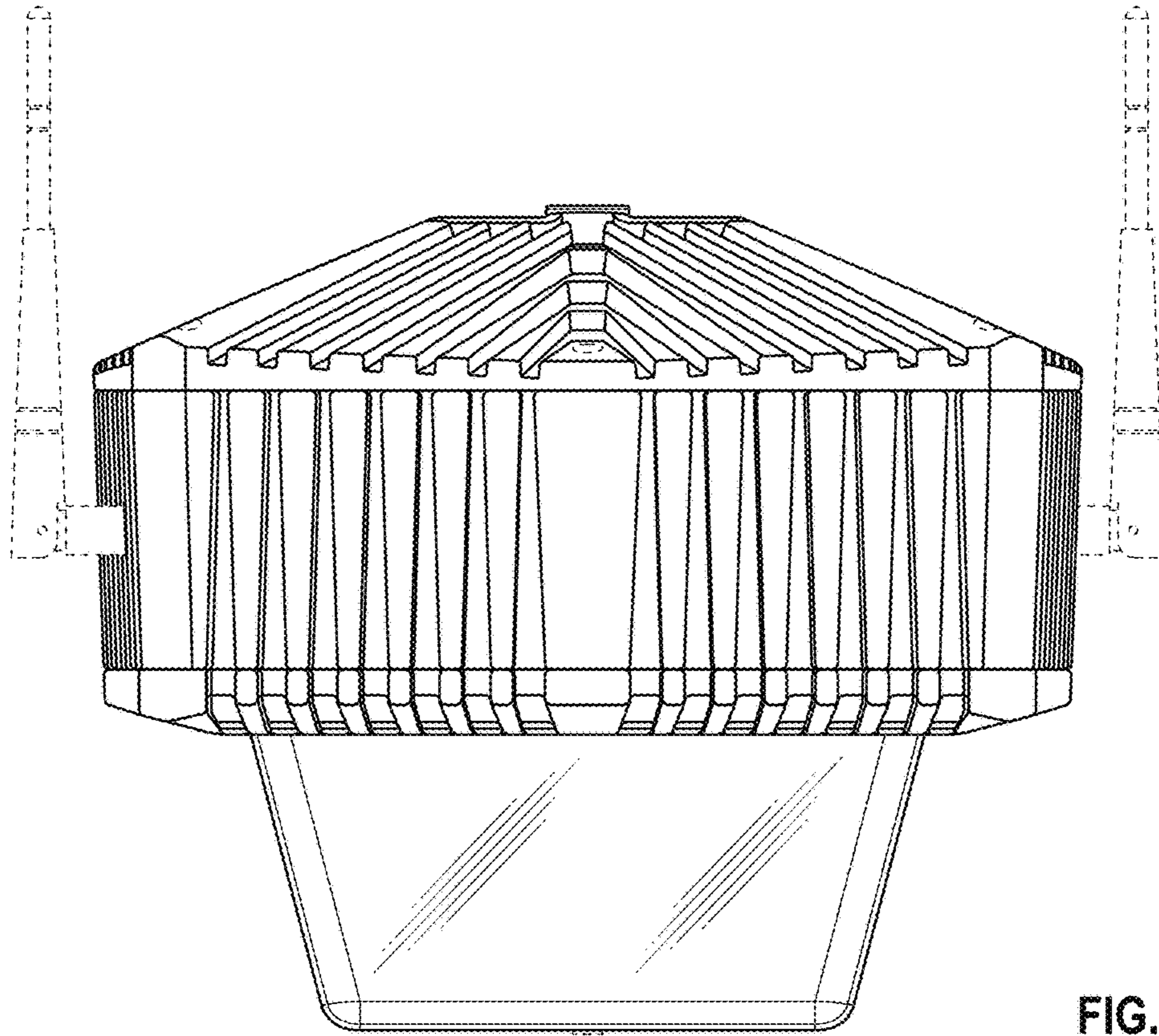


FIG. 2

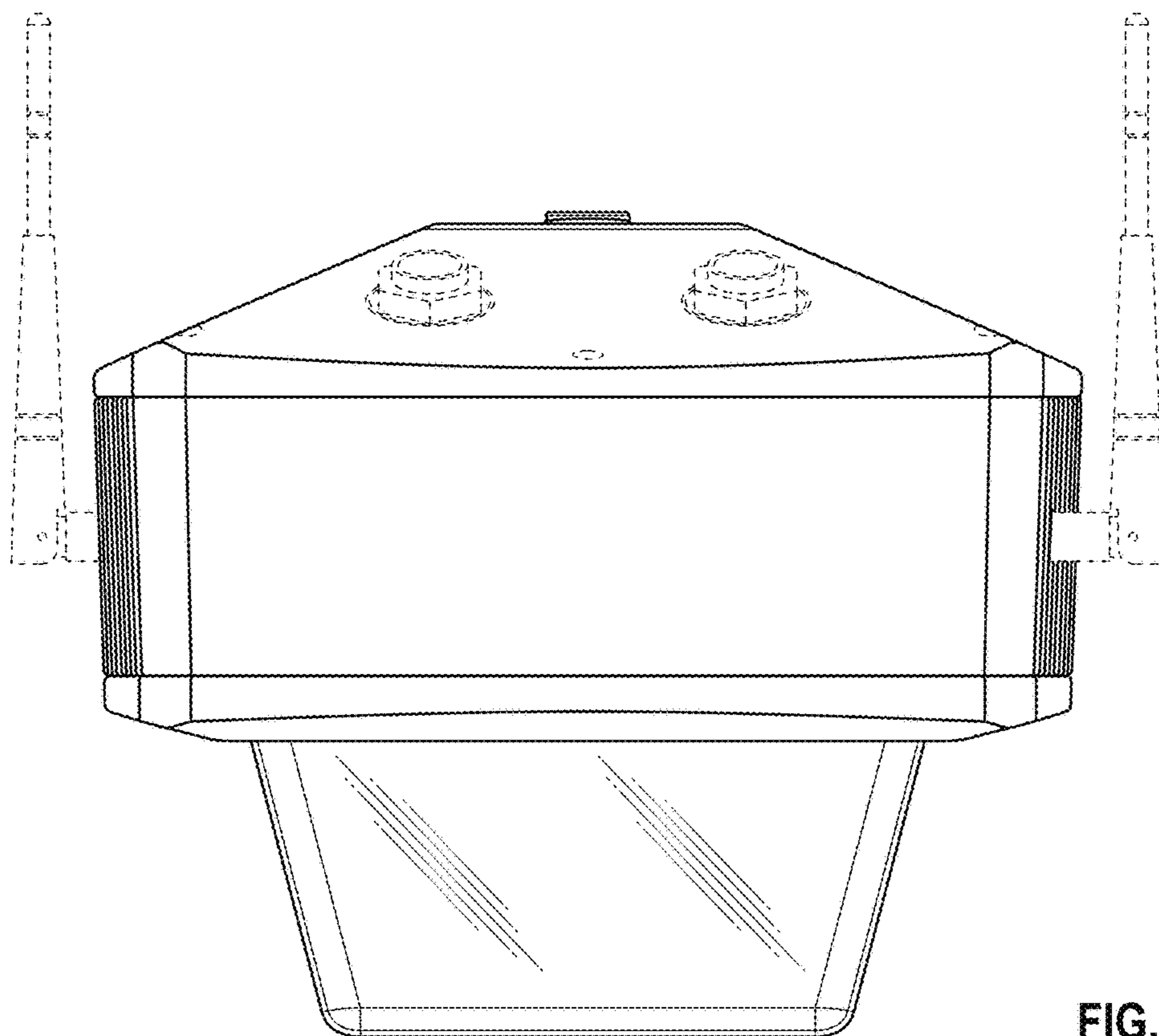


FIG. 3

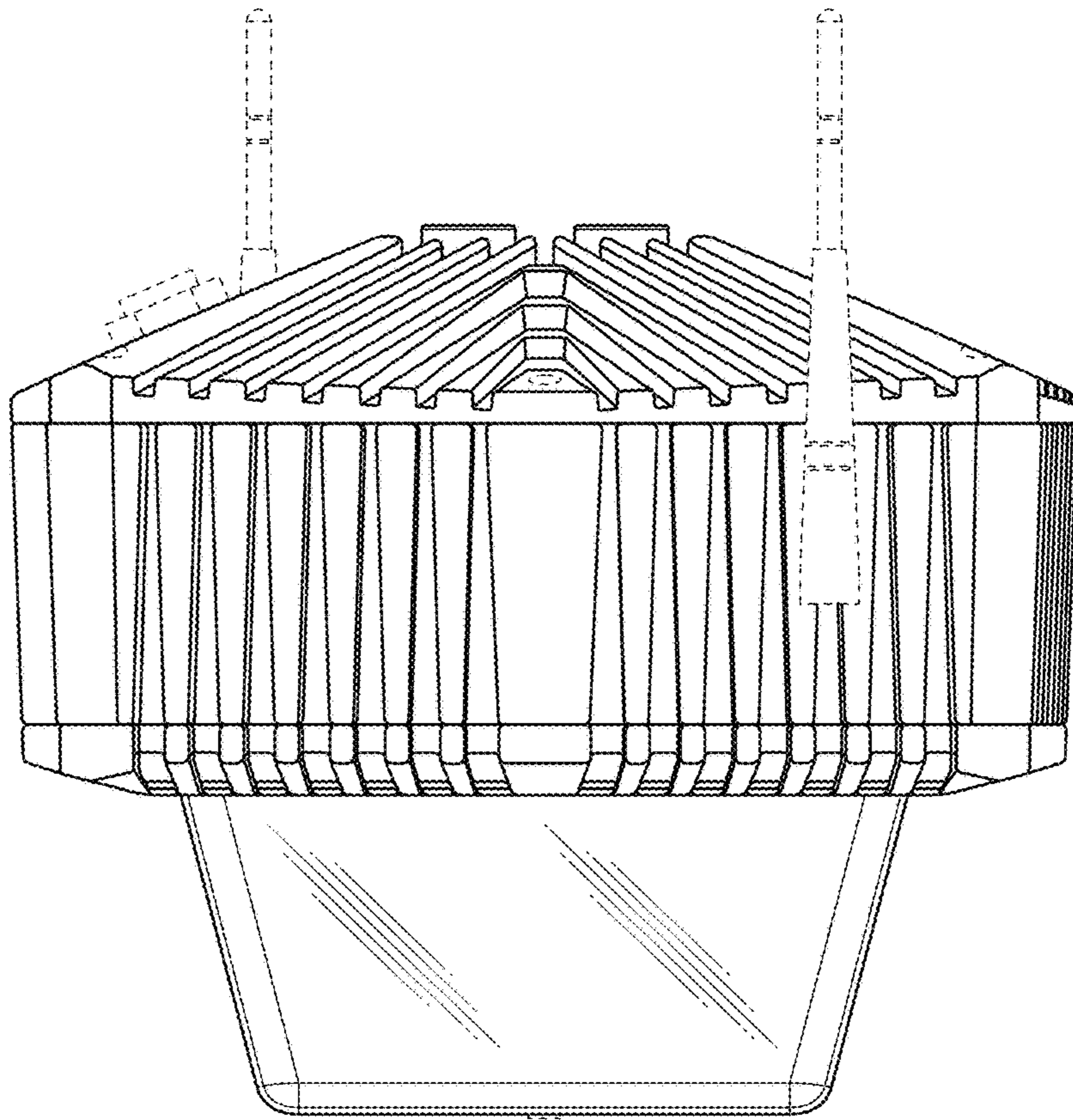


FIG. 4

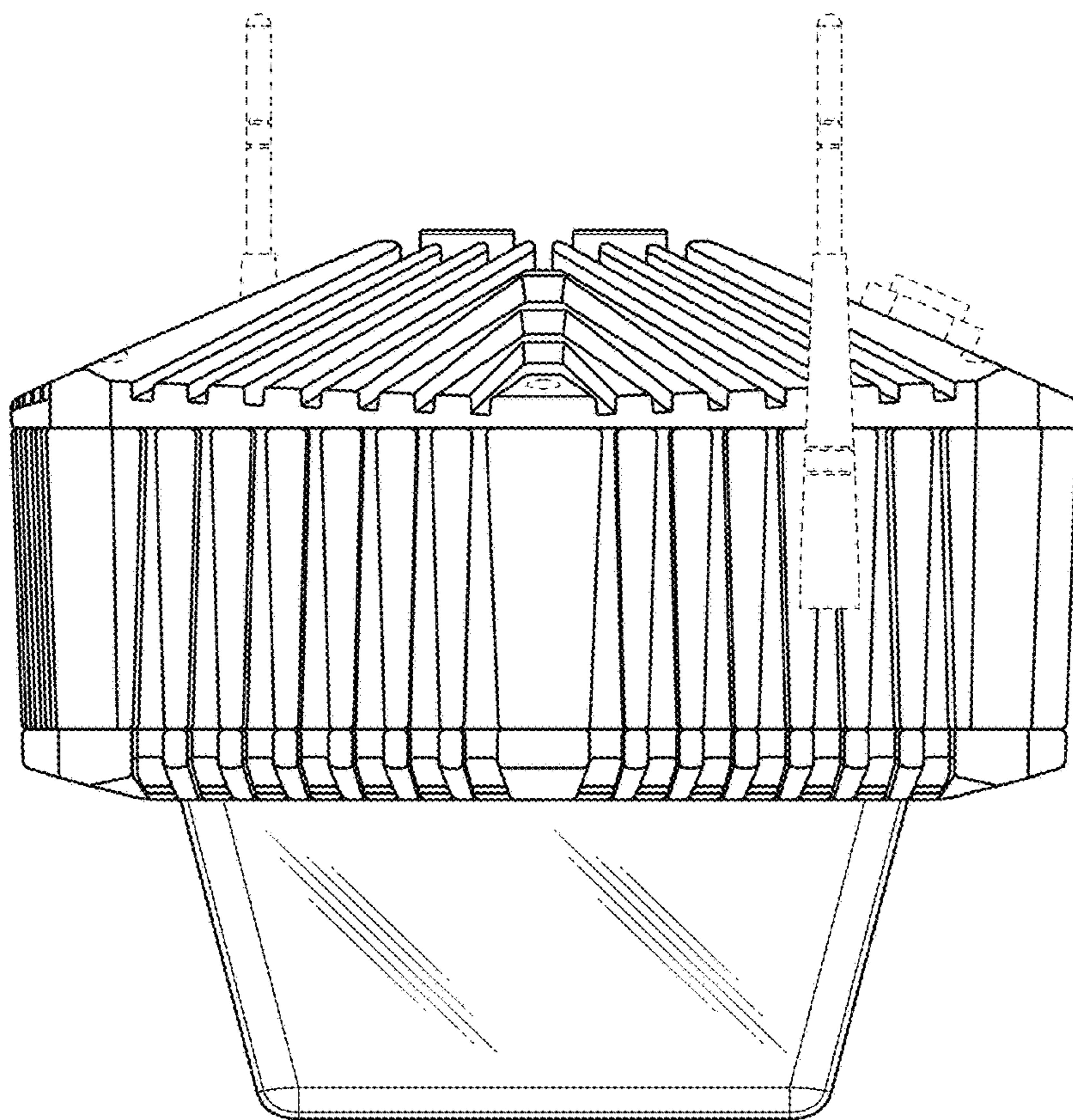


FIG. 5

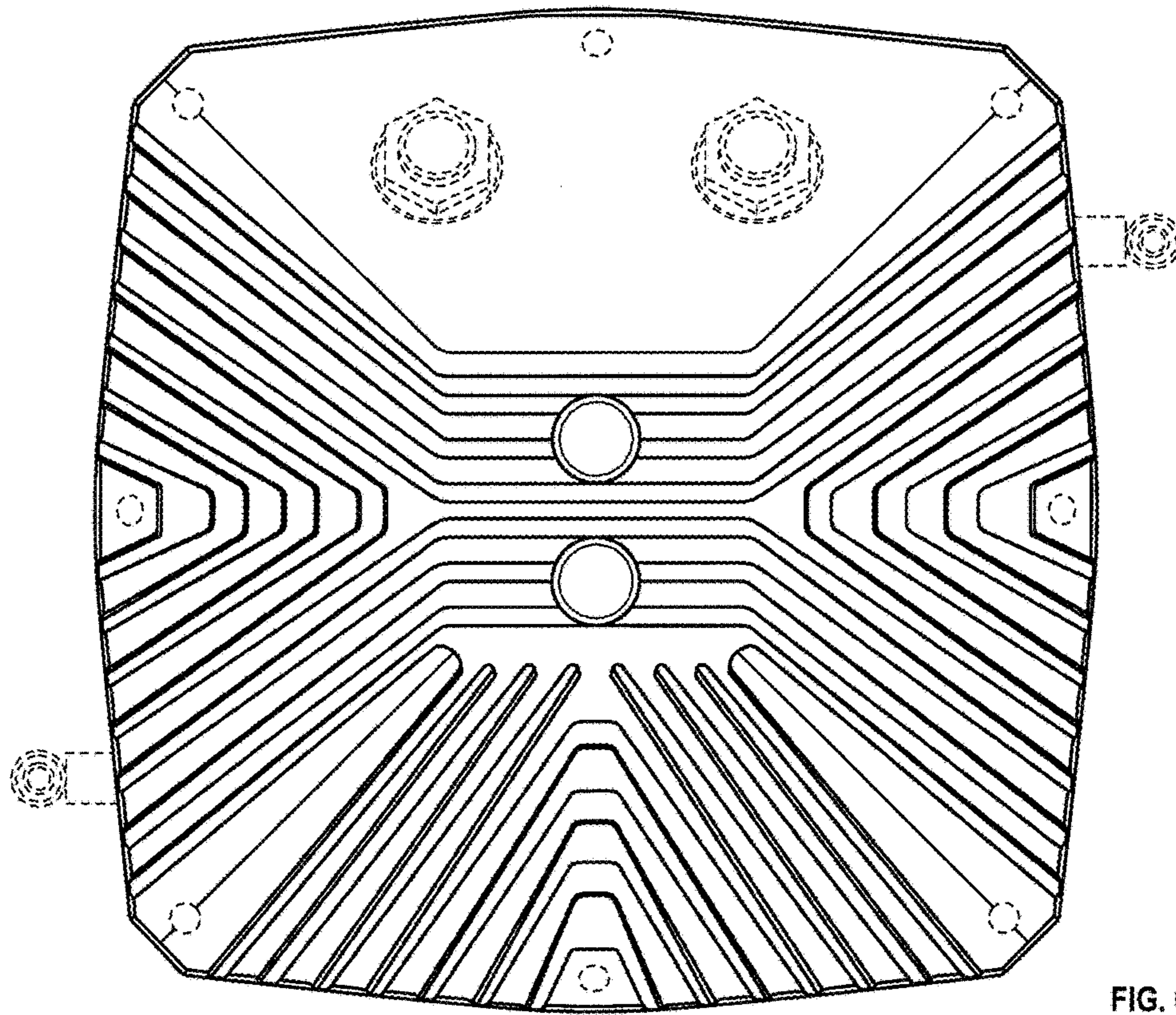


FIG. 6

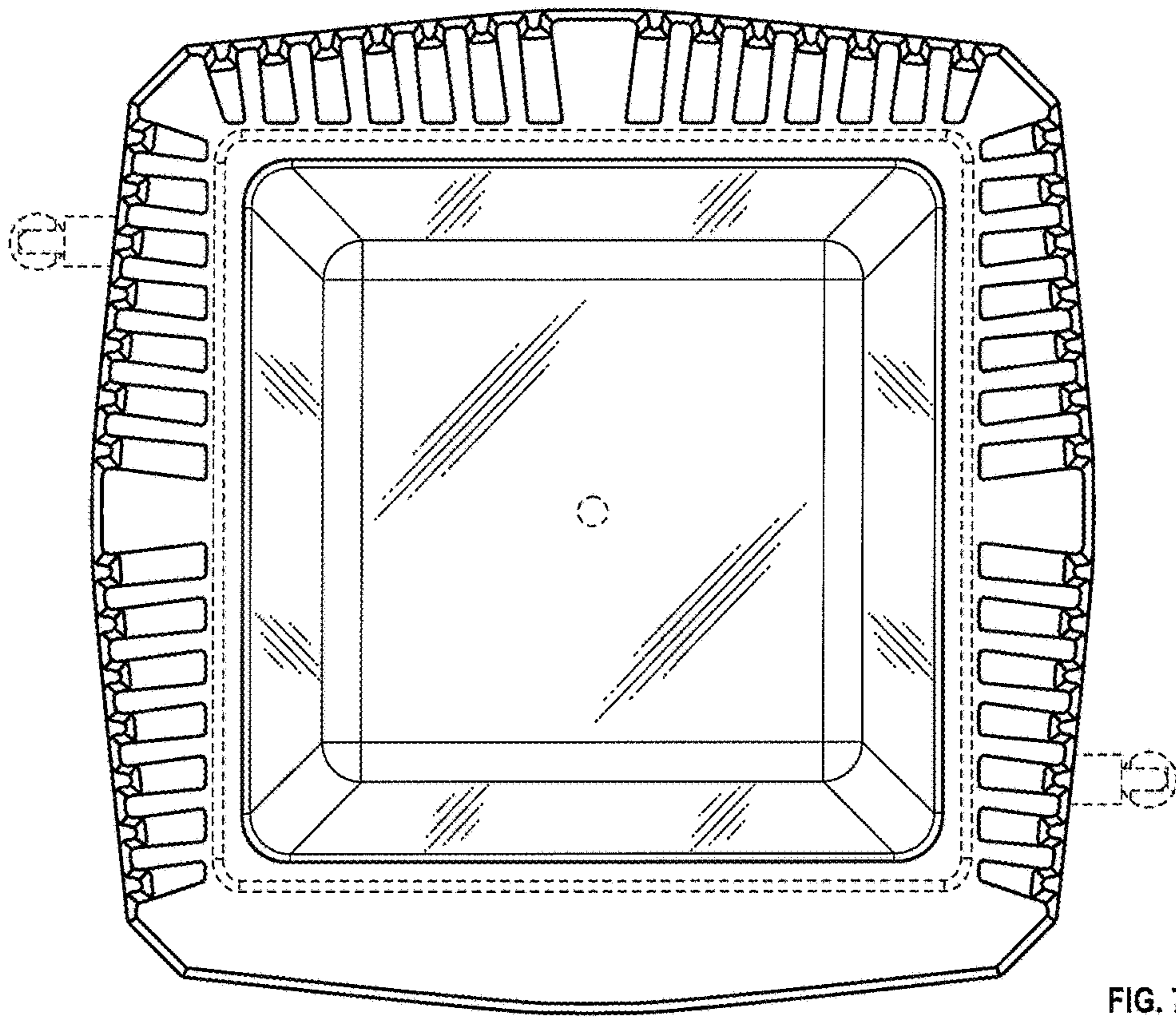


FIG. 7