



US00D815174S

(12) **United States Design Patent** (10) **Patent No.:** **US D815,174 S**
Holbrook et al. (45) **Date of Patent:** **** Apr. 10, 2018**

(54) **TOP-MOUNTED PENDANT ENCLOSURE FOR SPHERICAL CAMERA**
(71) Applicant: **Avigilon Corporation**, Vancouver (CA)
(72) Inventors: **Thomas Holbrook**, Vancouver (CA); **Sudeep Mohan**, Vancouver (CA); **Nigel Geoffrey Taylor**, Vancouver (CA); **Robin W. Chu**, San Francisco, CA (US); **Gregg Davis**, Powell, OH (US); **Mark A. Edwards**, Livermore, CA (US); **Adam M. Ruggles**, Columbus, OH (US)

D307,915 S 5/1990 Kuester
D340,940 S 11/1993 Ellenberger et al.
D392,300 S 3/1998 Chow et al.
D416,032 S 11/1999 Bakshi
D428,618 S 7/2000 McBride
D438,227 S 2/2001 Grotto
D446,801 S 8/2001 Adachi et al.
D449,630 S 10/2001 Rak et al.
D452,696 S 1/2002 Fenton
(Continued)

(73) Assignee: **Avigilon Corporation**, Vancouver (CA)

(**) Term: **15 Years**

(21) Appl. No.: **29/540,158**

(22) Filed: **Sep. 21, 2015**

(51) **LOC (11) Cl.** **16-01**

(52) **U.S. Cl.**
USPC **D16/203**

(58) **Field of Classification Search**
USPC D16/200, 202–206, 218, 219, 242;
348/143, 148, 151, 373–376; 396/419,
396/427, 535, 539–541
CPC G03B 17/02; G03B 19/04; G03B 17/56;
G03B 17/04; G03B 15/03; H04N 5/2251;
H04N 5/2252; H04N 5/2253; H04N
5/2254; H04N 7/181; H04N 7/183; H04N
7/18; G08B 13/1963; G08B 13/19619;
G08B 13/19632; F16M 11/04; F16M
13/00

See application file for complete search history.

(56) **References Cited**

U.S. PATENT DOCUMENTS

3,023,920 A 1/1960 Cook et al.
3,739,703 A * 6/1973 Behles G03B 15/00
348/151

OTHER PUBLICATIONS

Axis Communications, “Axis M11 Network Camera Series”, data sheet; 4 pages, copyright 2012.

(Continued)

Primary Examiner — Philip S Hyder
Assistant Examiner — Ramzi S Almatrahi

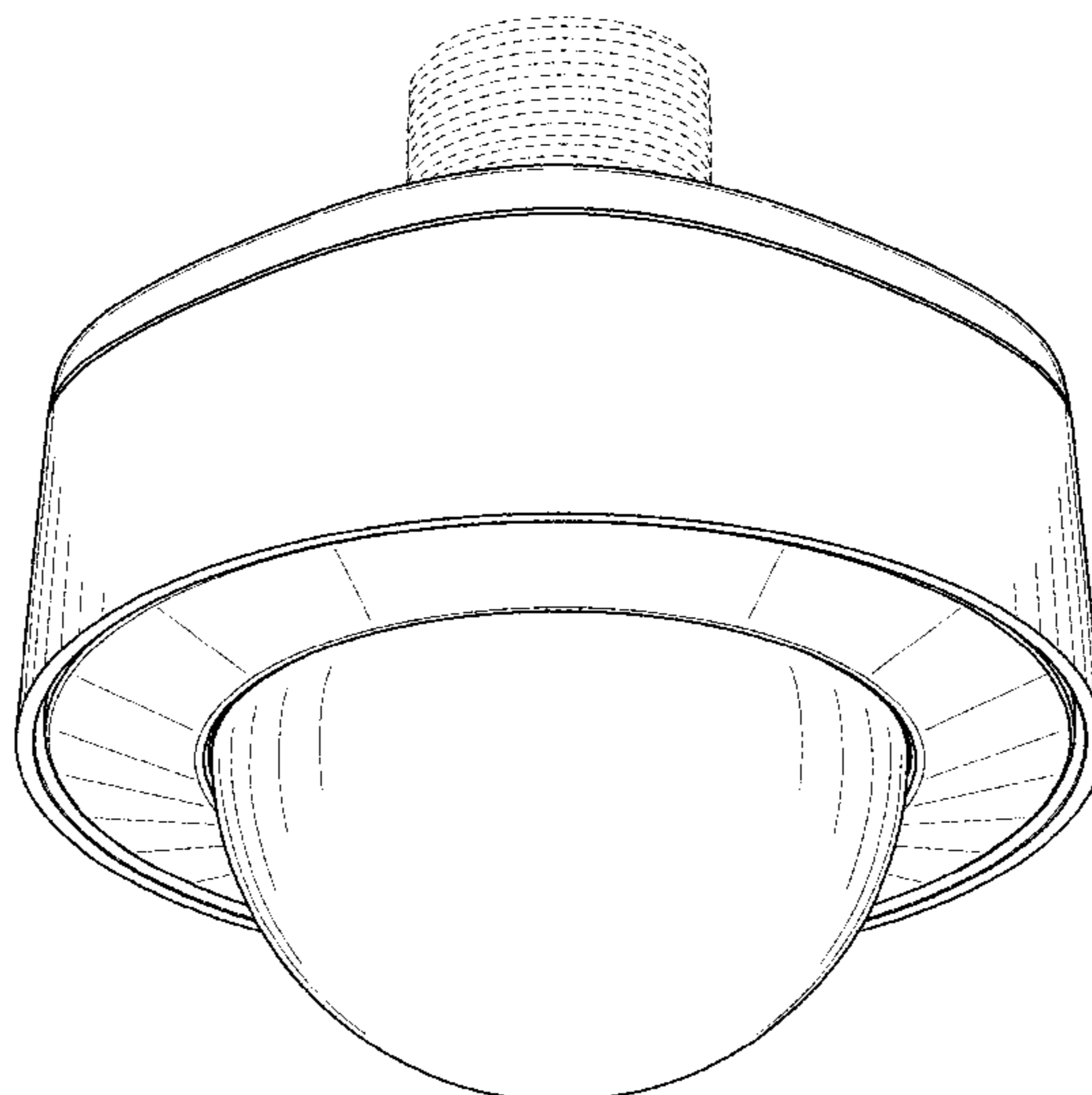
(57) **CLAIM**

We claim the ornamental design for a top-mounted pendant enclosure for a spherical camera, as shown and described.

DESCRIPTION

FIG. 1 is a bottom perspective view of a top-mounted pendant enclosure for a spherical camera;
FIG. 2 is a top perspective view of a top-mounted pendant enclosure for a spherical camera;
FIG. 3 is a side elevation view of a top-mounted pendant enclosure for a spherical camera the other side elevation views being the same as FIG. 3;
FIG. 4 is a bottom plan view of a top-mounted pendant enclosure for a spherical camera; and,
FIG. 5 is a top plan view of a top-mounted pendant enclosure for a spherical camera.
The broken lines depict portions of the top-mounted pendant enclosure for a spherical camera in which the design is embodied that form no part of the claimed design.

1 Claim, 5 Drawing Sheets



(56)

References Cited

U.S. PATENT DOCUMENTS

D468,697 S 1/2003 Straub, Jr.
 D472,259 S 3/2003 Rupe
 D473,888 S 4/2003 Jones et al.
 D474,488 S 5/2003 Arbuckle et al.
 D481,406 S 10/2003 Alessio
 D481,407 S 10/2003 Alessio
 6,678,001 B1 * 1/2004 Elberbaum G08B 13/19619
 348/373
 6,715,940 B2 * 4/2004 Top G08B 13/1963
 348/143
 D489,744 S 5/2004 Muto
 D497,927 S * 11/2004 Arbuckle D16/203
 D507,804 S 7/2005 Nagai
 D508,710 S 8/2005 Nagai
 D508,934 S 8/2005 Nagai
 D510,374 S 10/2005 Greenwood et al.
 D512,087 S 11/2005 Kato et al.
 D514,150 S 1/2006 Muto et al.
 D515,607 S 2/2006 Cheng
 D522,035 S 5/2006 Muto
 D528,144 S 9/2006 Takemasa
 D529,063 S 9/2006 Cheng
 D539,751 S 4/2007 Kiely
 D540,360 S 4/2007 Yamakawa
 D541,326 S 4/2007 Ford et al.
 D543,568 S 5/2007 Naruki
 D551,275 S 9/2007 Kim
 D552,501 S 10/2007 Lin et al.
 D554,170 S 10/2007 Grotto
 D556,235 S * 11/2007 Todd D16/200
 D556,236 S * 11/2007 Kim D16/202
 D558,248 S * 12/2007 Togawa D16/203
 D575,810 S 8/2008 Alm
 D578,561 S 10/2008 Dumanogullari
 D582,460 S 12/2008 Yoo et al.
 D584,756 S * 1/2009 Yamakawa D16/203
 D592,231 S 5/2009 Schnell
 D594,048 S 6/2009 Yamakawa
 D595,659 S 7/2009 Maurer et al.
 D601,096 S 9/2009 Vigorito et al.
 D607,033 S 12/2009 Arbuckle et al.
 D609,727 S 2/2010 Adolfsson et al.

D610,178 S 2/2010 Adolfsson et al.
 D610,183 S 2/2010 Nohavec et al.
 D612,712 S 3/2010 Rix
 D614,222 S 4/2010 Yamakawa
 D615,114 S 5/2010 Arnold et al.
 D628,225 S 11/2010 Deurwaarder
 D633,120 S * 2/2011 Ham D16/203
 D635,173 S 3/2011 Yamakawa
 D636,804 S * 4/2011 Anneback D16/203
 D638,871 S 5/2011 Bergstrom et al.
 D642,607 S 8/2011 Bergstrom et al.
 D643,452 S 8/2011 Alm et al.
 D644,677 S * 9/2011 Park D16/203
 D645,071 S 9/2011 Hinkel
 D655,328 S * 3/2012 Anneback D16/203
 D661,719 S 6/2012 Katori et al.
 D662,120 S 6/2012 Deurwaarder
 D664,178 S 7/2012 Hinkel
 D666,660 S 9/2012 Amit et al.
 D668,701 S 10/2012 Ohno et al.
 D676,814 S 2/2013 Paul
 D676,887 S 2/2013 Nakashima et al.
 D677,634 S 3/2013 Korcz et al.
 D679,252 S 4/2013 Wagner et al.
 D684,618 S 6/2013 Park et al.
 D684,619 S 6/2013 Chapple et al.
 D684,935 S 6/2013 DeCosta
 D690,344 S 9/2013 Hollinger
 D694,798 S 12/2013 Deurwaarder
 D696,329 S 12/2013 Horiki et al.
 D697,123 S 1/2014 Takahashi et al.
 D702,198 S 4/2014 Gretz
 D702,275 S 4/2014 Ying
 D722,296 S 2/2015 Taylor
 D725,692 S 3/2015 Celler
 D731,574 S 6/2015 Hallstrom et al.
 D732,596 S 6/2015 Wang et al.
 D732,597 S 6/2015 Celler
 D740,870 S * 10/2015 Park D16/203

OTHER PUBLICATIONS

Axis Communications, "Axis M11-L Network Camera Series", data sheet; 4 pages, copyright 2012.

* cited by examiner

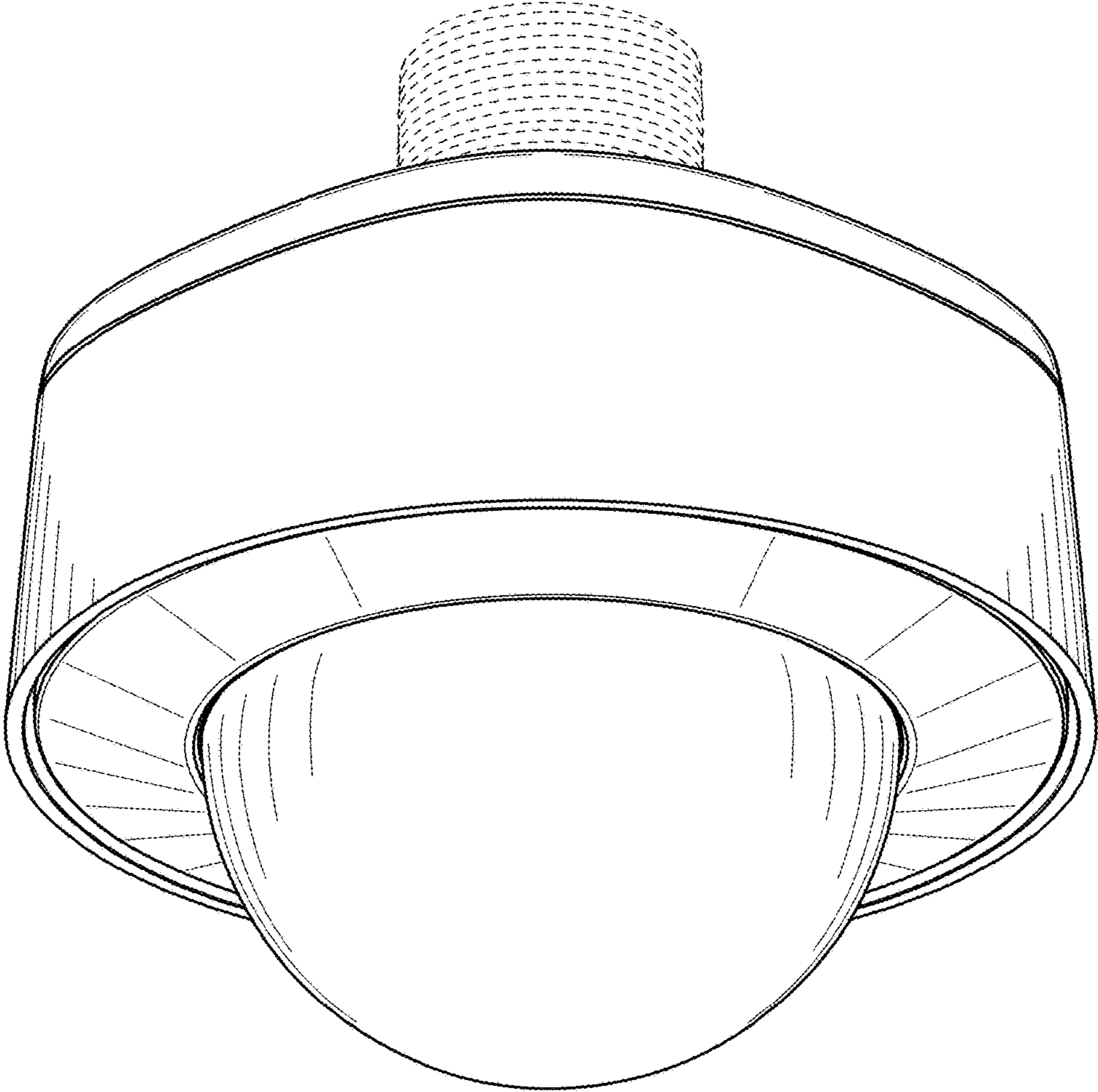


FIG. 1

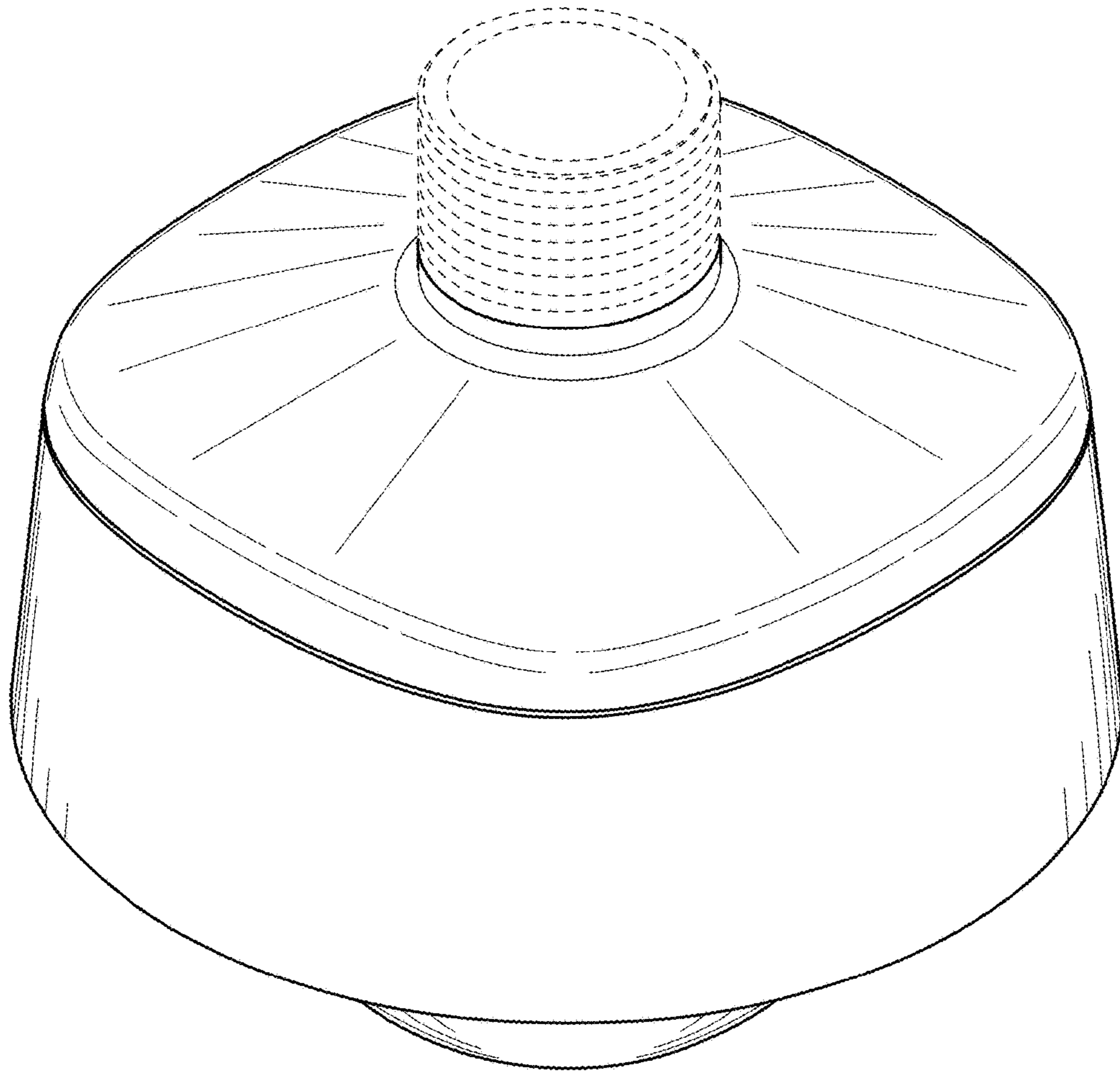


FIG. 2

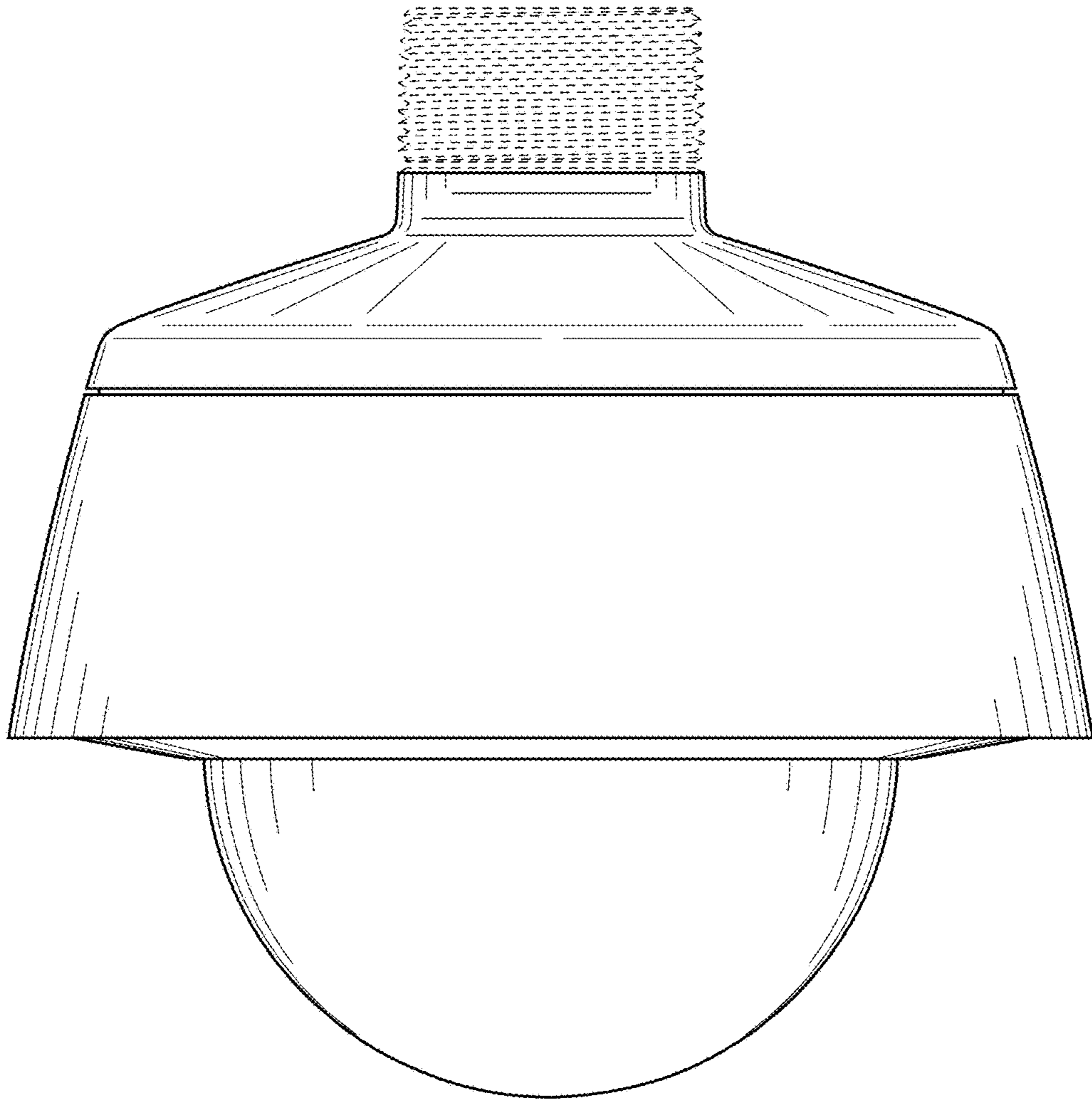


FIG. 3

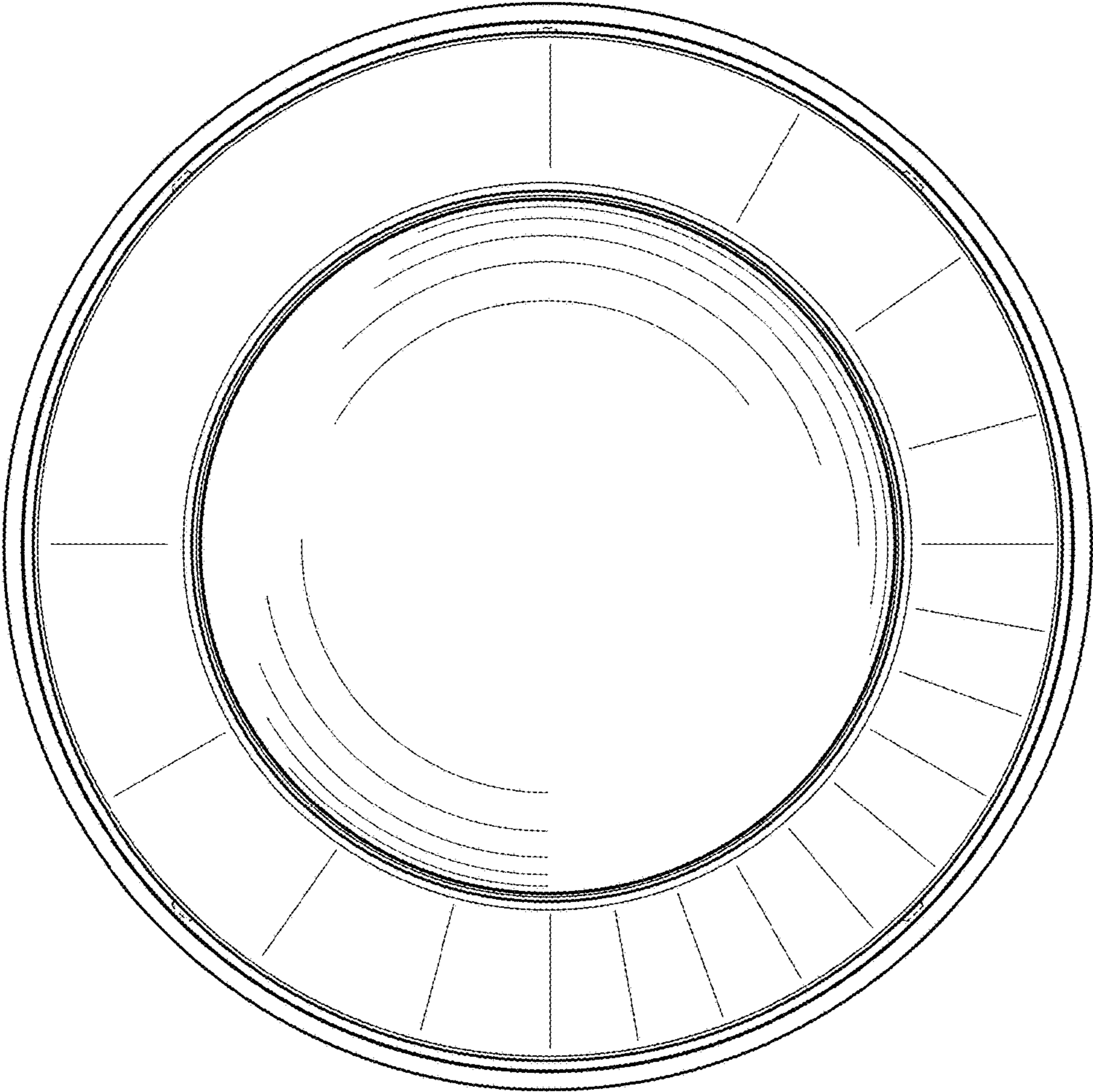


FIG. 4

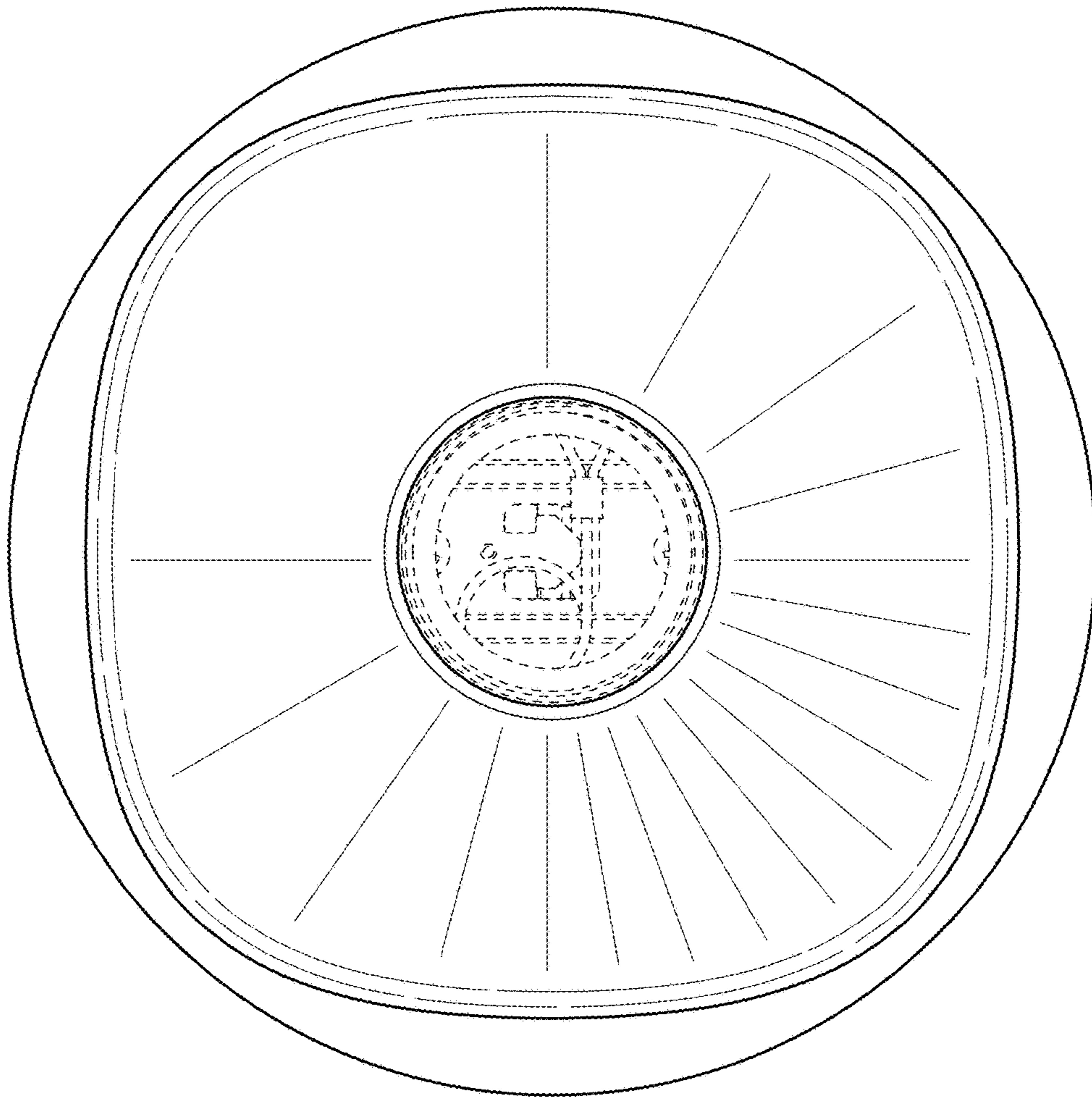


FIG. 5