



US00D815173S

(12) **United States Design Patent**
Hikima et al.

(10) **Patent No.:** **US D815,173 S**
(45) **Date of Patent:** **** Apr. 10, 2018**

- (54) **SURVEILLANCE CAMERA**
- (71) Applicant: **MITSUBISHI ELECTRIC CORPORATION**, Tokyo (JP)
- (72) Inventors: **Takanori Hikima**, Tokyo (JP);
Takeyuki Hori, Tokyo (JP)
- (73) Assignee: **Mitsubishi Electric Corporation**,
Tokyo (JP)
- (**) Term: **15 Years**
- (21) Appl. No.: **29/533,659**
- (22) Filed: **Jul. 20, 2015**

(30) **Foreign Application Priority Data**

Jan. 20, 2015 (JP) 2015-000897
 Jan. 20, 2015 (JP) 2015-000899

(51) **LOC (11) Cl.** **16-01**

(52) **U.S. Cl.**
USPC **D16/203**

(58) **Field of Classification Search**

USPC D16/200, 202–206, 218, 219, 242;
 348/143, 148, 151, 373–376; 396/419,
 396/427, 535, 539–541
 CPC G03B 17/02; G03B 19/04; G03B 17/56;
 G03B 17/04; G03B 15/03; H04N 5/2251;
 H04N 5/2252; H04N 5/2253; H04N
 5/2254; H04N 7/181; H04N 7/183; H04N
 7/18; G08B 13/1963; G08B 13/19619;
 G08B 13/19632; F16M 11/04; F16M
 13/00

See application file for complete search history.

(56) **References Cited**

U.S. PATENT DOCUMENTS

D388,450 S * 12/1997 Hamano D16/203
 D399,517 S * 10/1998 Hasegawa D16/203
 D412,924 S * 8/1999 Hiraguchi D16/203

6,678,001 B1 * 1/2004 Elberbaum G08B 13/19619
 348/373
 6,715,940 B2 * 4/2004 Top G08B 13/1963
 348/143
 D499,126 S * 11/2004 Kato D16/203
 (Continued)

FOREIGN PATENT DOCUMENTS

JP D1444478 S 6/2012

OTHER PUBLICATIONS

An Office Action; “Notification of Reasons for Refusal,” issued by the Japanese Patent Office on Jul. 28, 2015, which corresponds to Japanese Design Patent Application No. 2015-000897 and is related to Design U.S. Appl. No. 29/533,659; with English language translation.

(Continued)

Primary Examiner — Philip S Hyder
Assistant Examiner — Ramzi S Almatrahi
 (74) *Attorney, Agent, or Firm* — Studebaker & Brackett
 PC

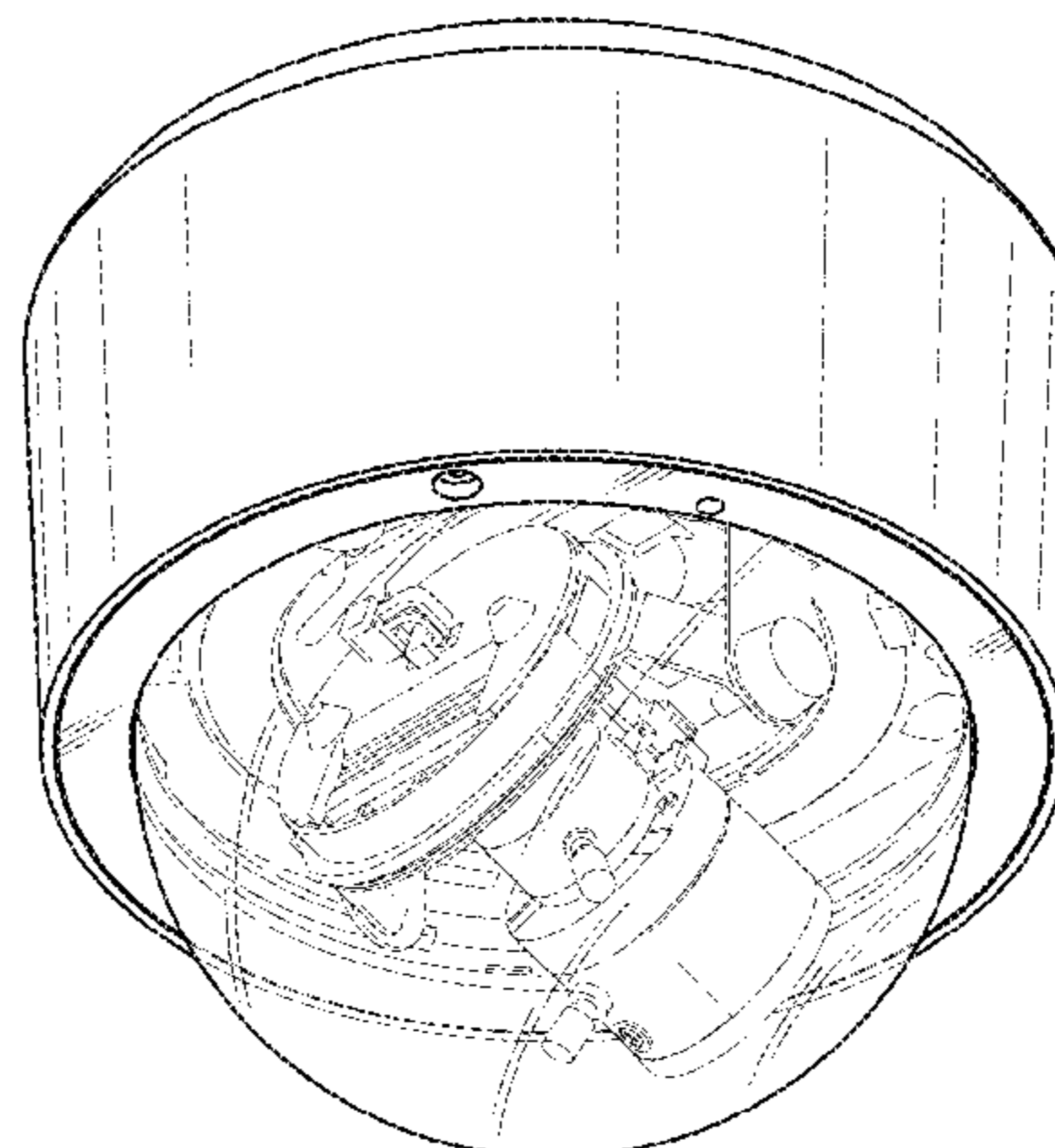
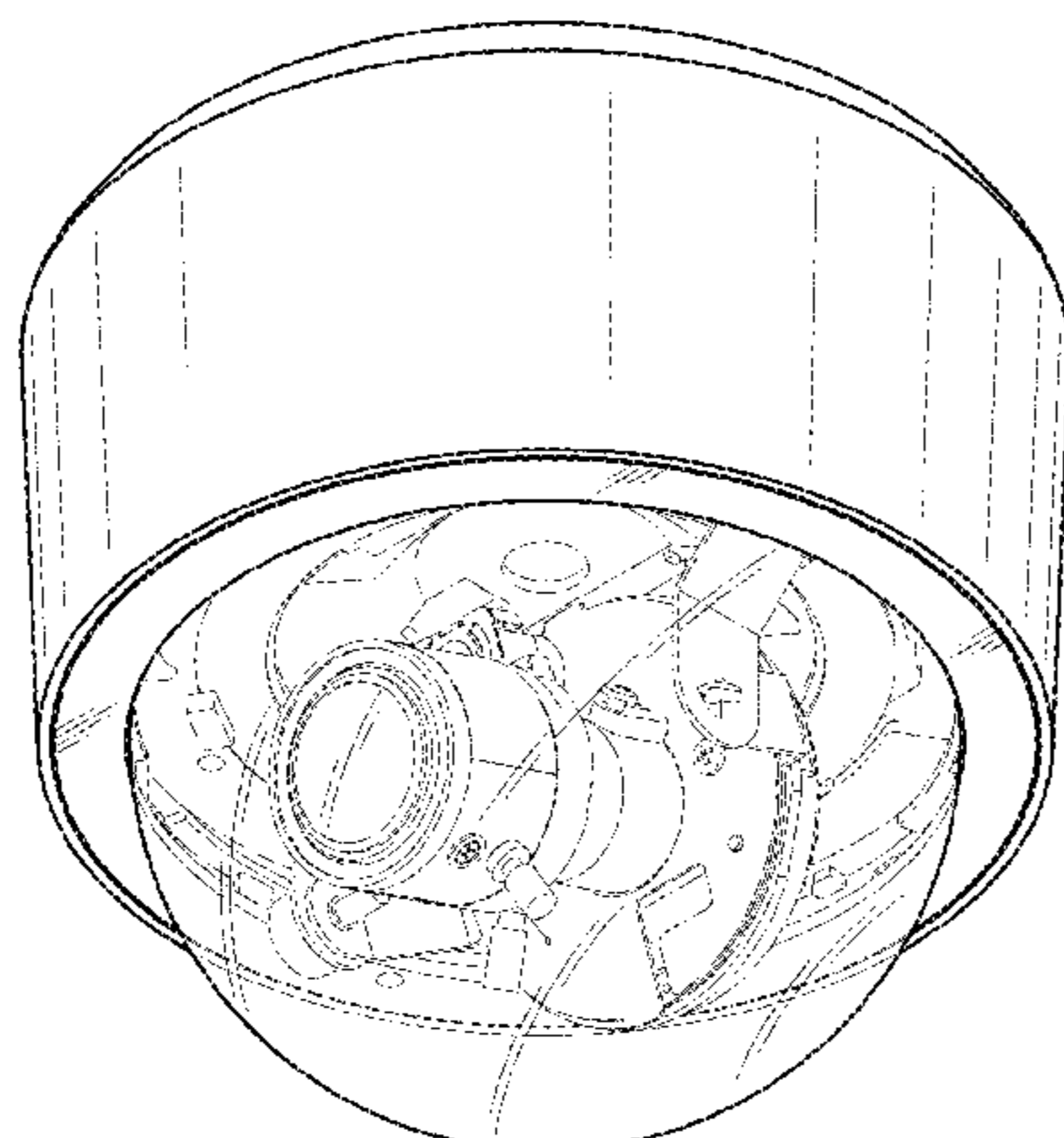
(57) **CLAIM**

The ornamental design for a surveillance camera, as shown and described.

DESCRIPTION

FIG. 1 is a front, bottom and right side perspective view of a surveillance camera, showing our new design;
 FIG. 2 is a rear, bottom and left side perspective view thereof;
 FIG. 3 is a front view thereof;
 FIG. 4 is a rear view thereof;
 FIG. 5 is a top view thereof;
 FIG. 6 is a bottom view thereof;
 FIG. 7 is a left side view thereof; and,
 FIG. 8 is a right side view thereof.

(Continued)



The broken lines depict portions of a surveillance camera in which the design is embodied that form no part of the claimed design.

1 Claim, 8 Drawing Sheets

(56) **References Cited**

U.S. PATENT DOCUMENTS

D560,244 S *	1/2008	Naruki	D16/203
D561,804 S *	2/2008	Asai	D16/203
D564,557 S *	3/2008	Yamamoto	D16/203
D628,225 S *	11/2010	Deurwaarder	D16/203
D633,120 S *	2/2011	Ham	D16/203
D644,677 S *	9/2011	Park	D16/203
D740,870 S *	10/2015	Park	D16/203

OTHER PUBLICATIONS

An Office Action; "Notification of Reasons for Refusal," issued by the Japanese Patent Office on Jul. 28, 2015, which corresponds to Japanese Design Patent Application No. 2015-000899 and is related to Design U.S. Appl. No. 29/533,659; with English language translation.

* cited by examiner

Fig. 1

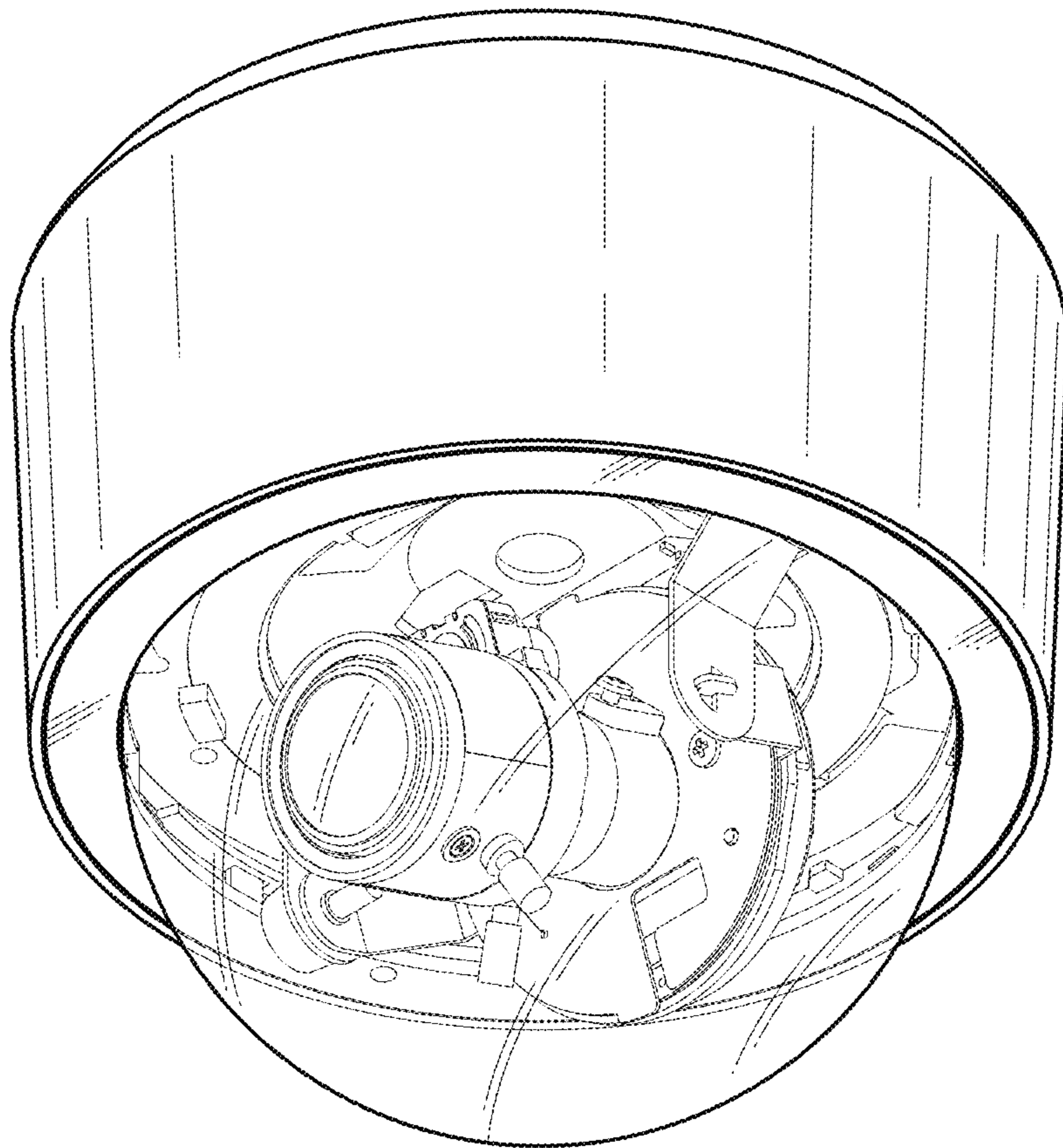


Fig. 2

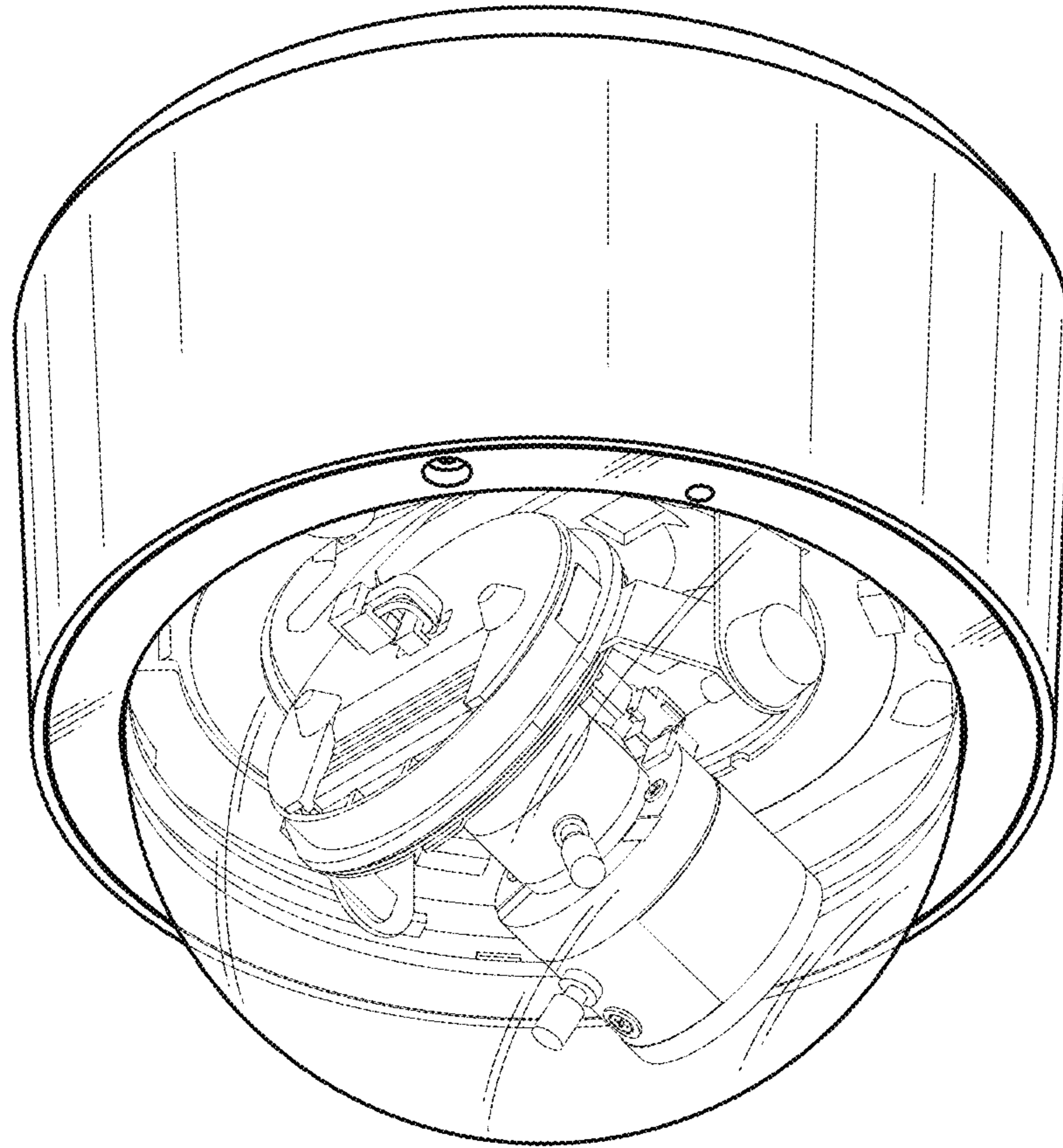


Fig. 3

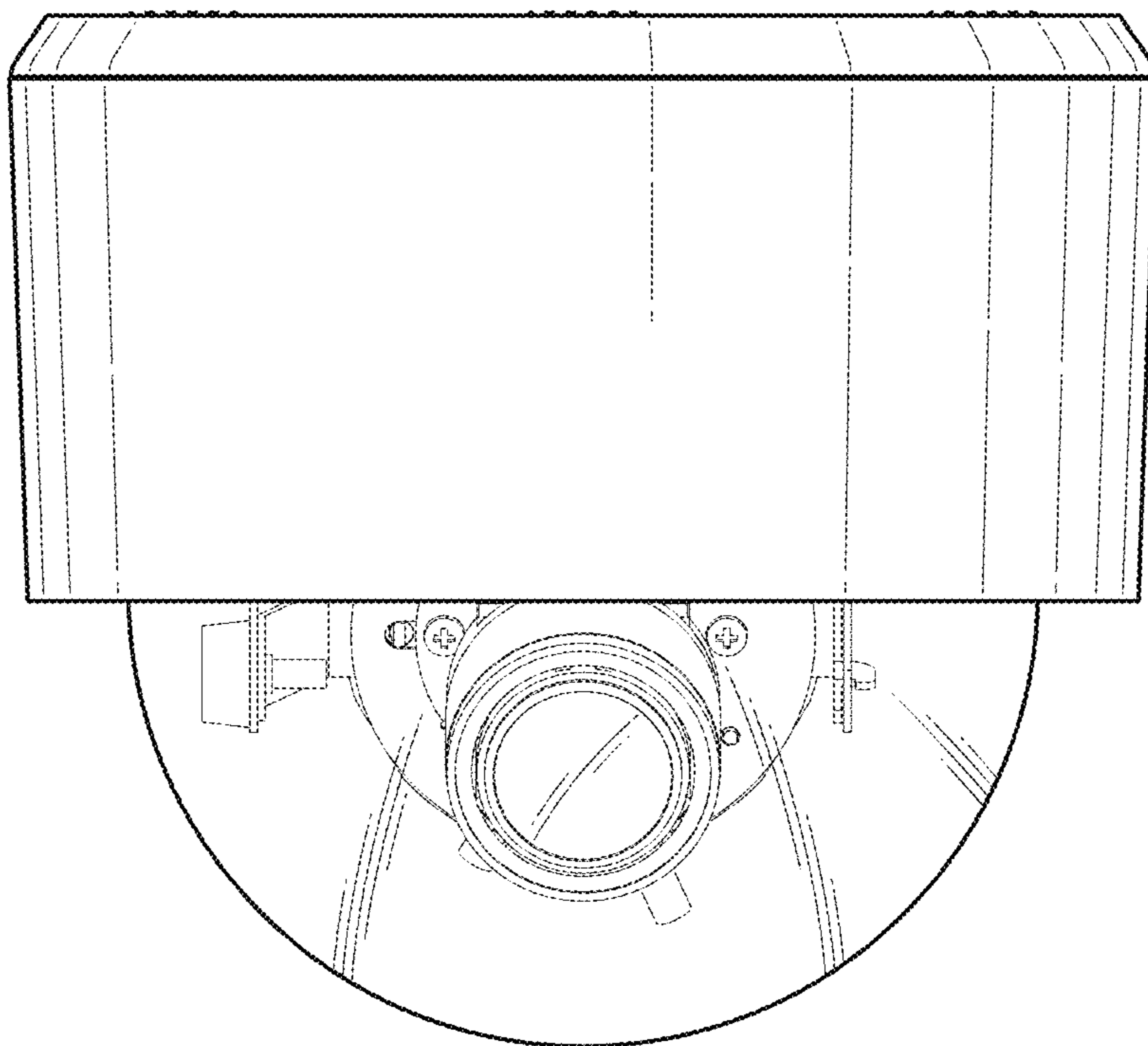


Fig. 4

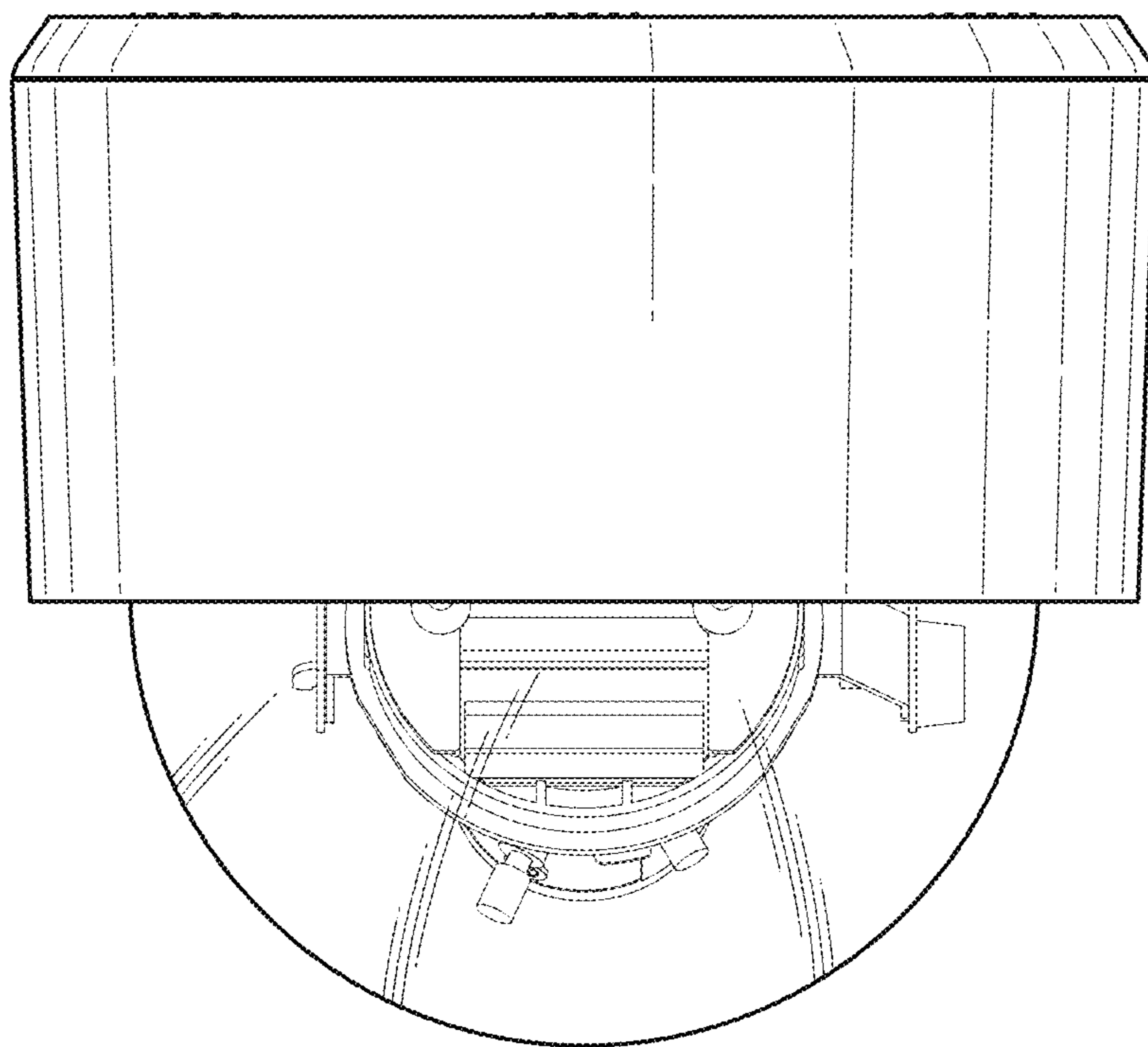


Fig. 5

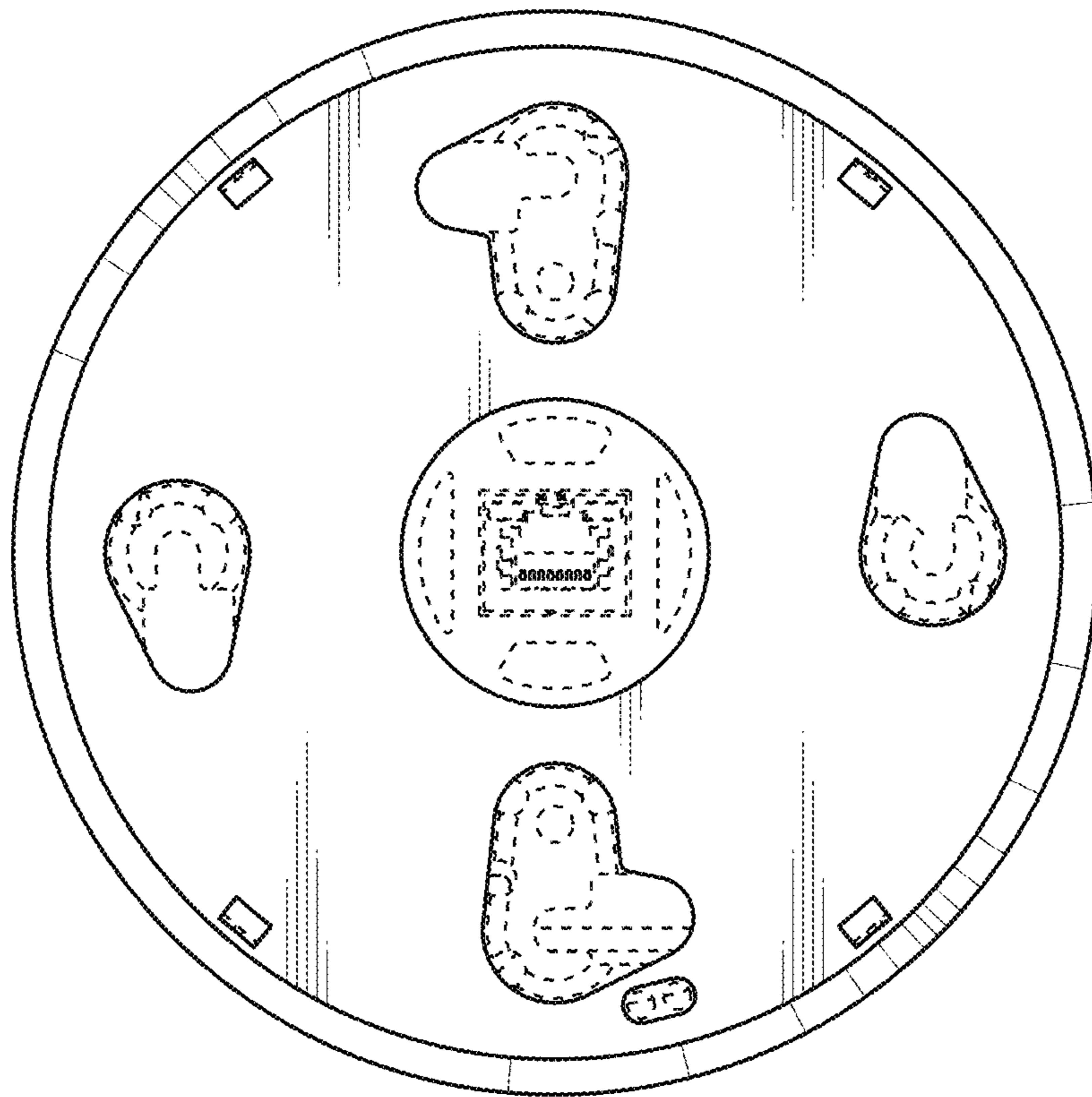


Fig. 6

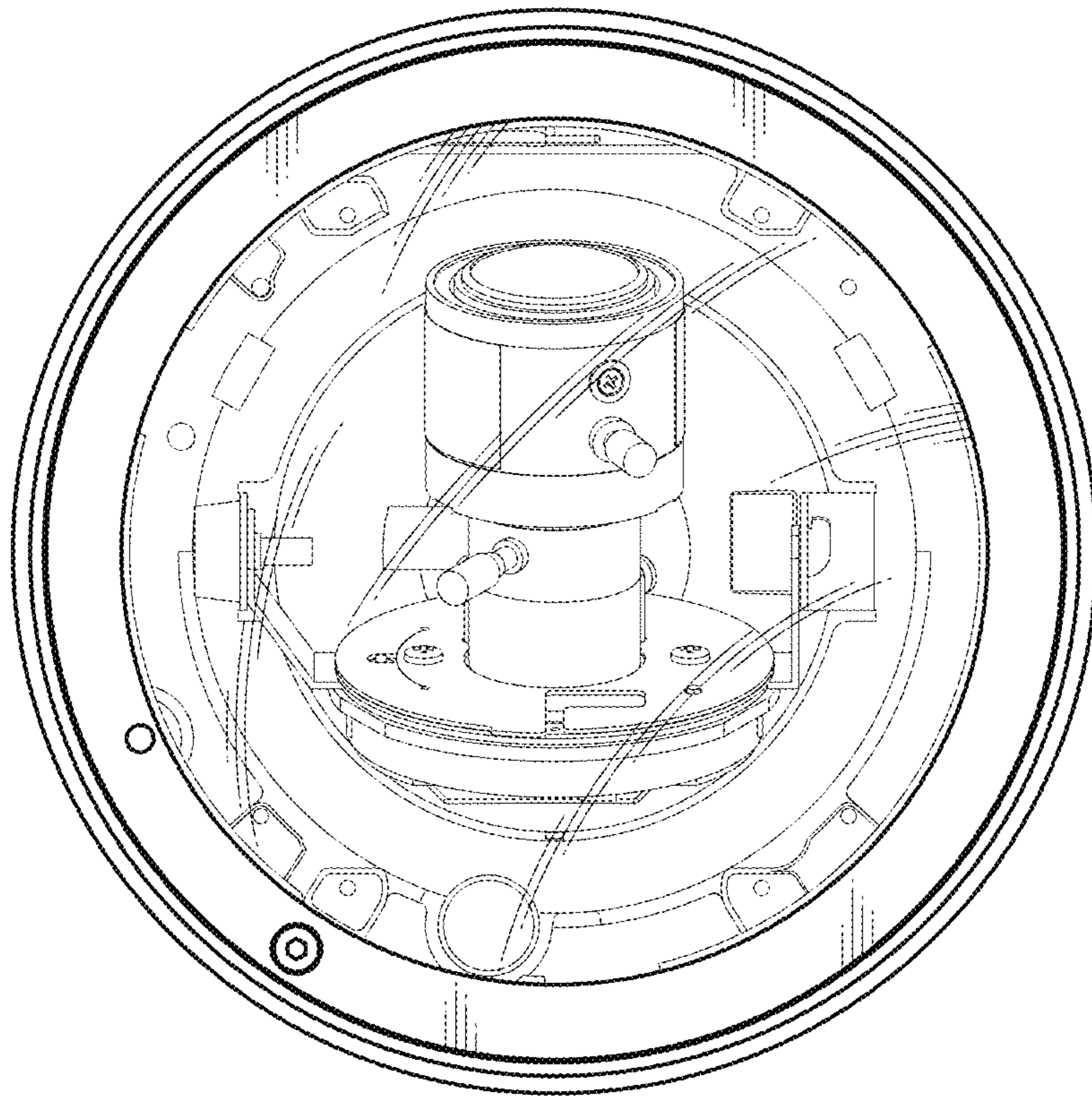


Fig. 7

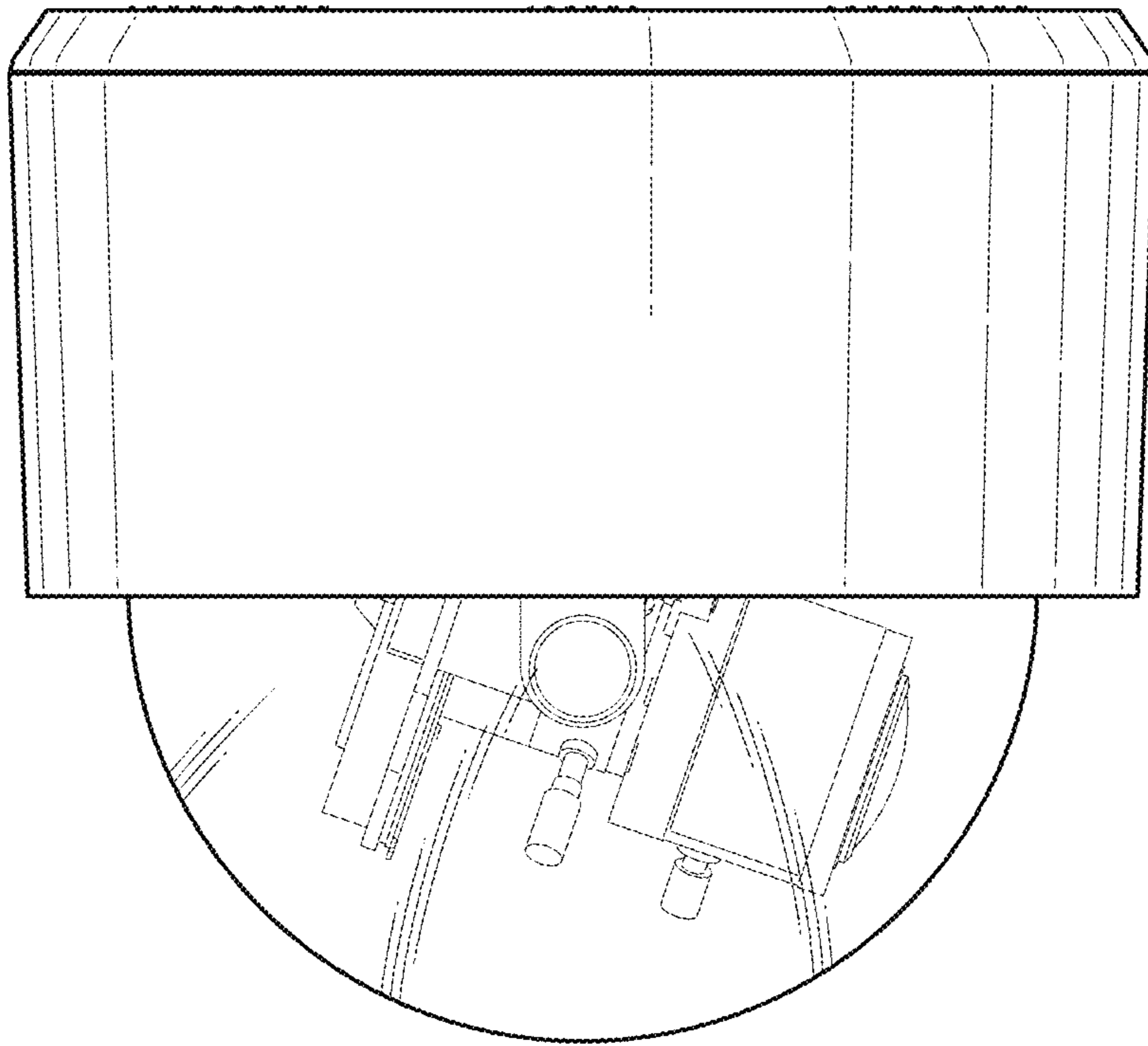


Fig. 8

