



US00D815172S

(12) **United States Design Patent**
Noh et al.

(10) **Patent No.:** **US D815,172 S**
(45) **Date of Patent:** **** Apr. 10, 2018**

(54) **CAMERA**

(71) Applicant: **SAMSUNG ELECTRONICS CO., LTD.**, Suwon-si (KR)

(72) Inventors: **Kyunghan Noh**, Seoul (KR); **Woojung Moon**, Seoul (KR); **Minki Ham**, Seoul (KR)

(73) Assignee: **SAMSUNG ELECTRONICS CO., LTD.**, Gyeonggi-Do (KR)

(**) Term: **15 Years**

(21) Appl. No.: **29/566,033**

(22) Filed: **May 26, 2016**

(30) **Foreign Application Priority Data**

Dec. 24, 2015 (KR) 30-2015-0066307

(51) **LOC (11) Cl.** **16-01**

(52) **U.S. Cl.**
USPC **D16/202; D16/207**

(58) **Field of Classification Search**
USPC D14/124, 125, 126, 129, 133, 314, 317,
D14/336, 348-351, 356, 420; D16/200,
D16/201, 202, 203, 205-221, 225, 232,
D16/235

CPC G03B 15/03; G03B 17/04; G03B 17/56;
G03B 19/04; H04N 5/2251-5/2254

See application file for complete search history.

(56) **References Cited**

U.S. PATENT DOCUMENTS

D224,792 S * 9/1972 Knox 119/28.5
D390,612 S * 2/1998 Brakefield D16/225
D395,715 S * 6/1998 Queen D16/203
6,120,379 A * 9/2000 Tanaka A63F 13/08
273/148 B

D471,223 S * 3/2003 Whitney D16/225
D554,682 S * 11/2007 Martinez D16/203
D662,120 S * 6/2012 Deurwaarder D16/203
D690,344 S * 9/2013 Hollinger D16/200
D700,232 S * 2/2014 Ramsay D16/207
D705,844 S * 5/2014 Bart D16/203
D719,208 S * 12/2014 Mohan D16/203
D723,604 S * 3/2015 Mohan D16/203
D730,966 S * 6/2015 Liu D16/202
D731,579 S * 6/2015 Bart D16/203
D734,821 S * 7/2015 Greaves D15/199
D741,931 S * 10/2015 Huang D16/202
D742,955 S * 11/2015 Kozko D16/207
D749,661 S * 2/2016 Yang D16/203
D762,501 S * 8/2016 Hays D10/106.7
D772,828 S * 11/2016 Kusumoto D14/126
D774,013 S * 12/2016 Kusumoto D14/126
D777,235 S * 1/2017 Jang D16/203
2013/0210563 A1 * 8/2013 Hollinger H04N 5/2252
473/570

* cited by examiner

Primary Examiner — Susan E Krakower

Assistant Examiner — Lisa A Grabenstetter

(74) *Attorney, Agent, or Firm* — Cantor Colburn LLP

(57) **CLAIM**

The ornamental design for a camera, as shown and described.

DESCRIPTION

FIG. 1 is a front perspective view of a camera showing our new design;

FIG. 2 is a front view thereof;

FIG. 3 is a rear view thereof;

FIG. 4 is a left-side view thereof;

FIG. 5 is a right-side view thereof;

FIG. 6 is a top view thereof; and,

FIG. 7 is a bottom view thereof.

The broken lines depict portions of a camera in which the design is embodied and form no part of the claimed design.

1 Claim, 5 Drawing Sheets

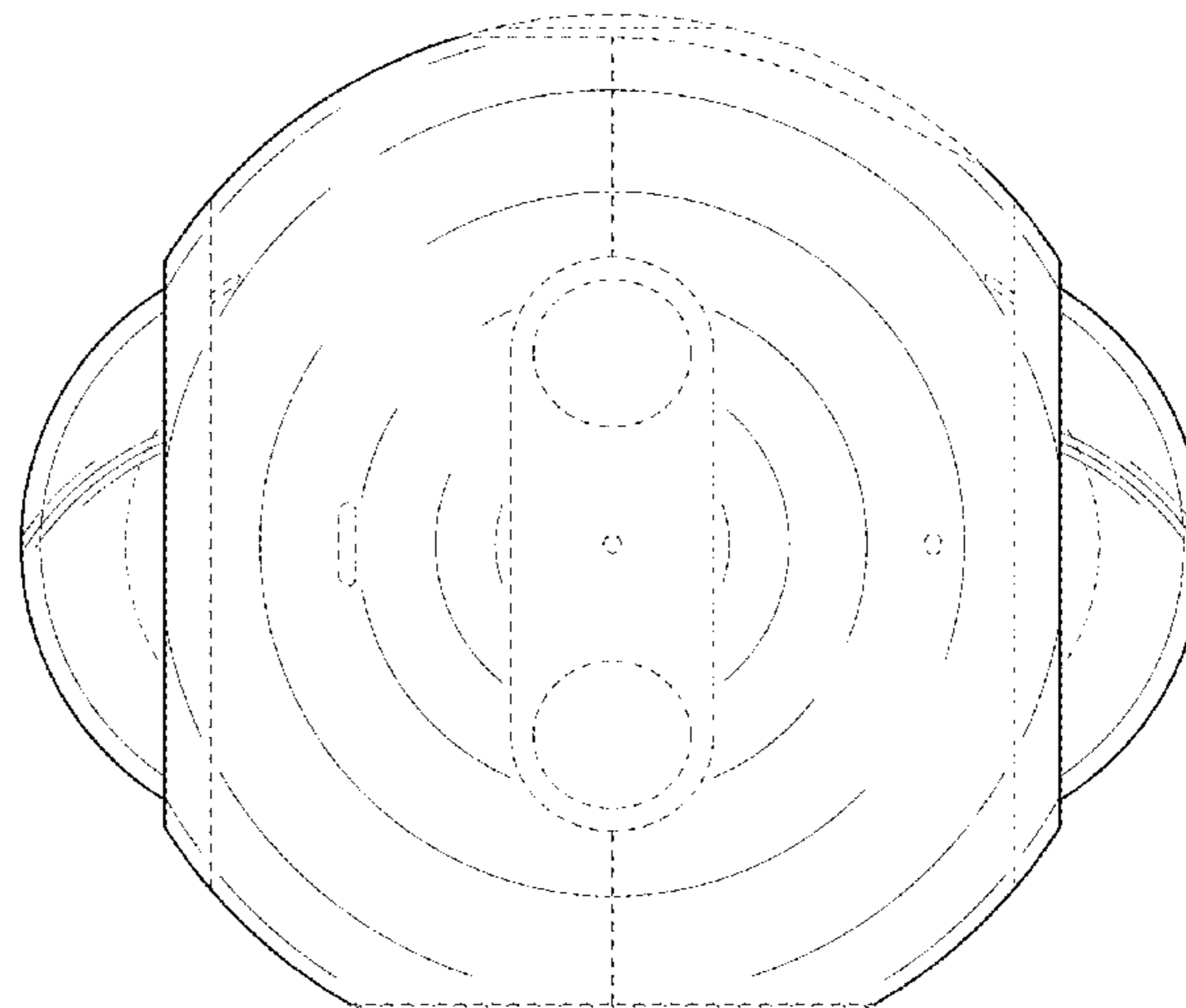
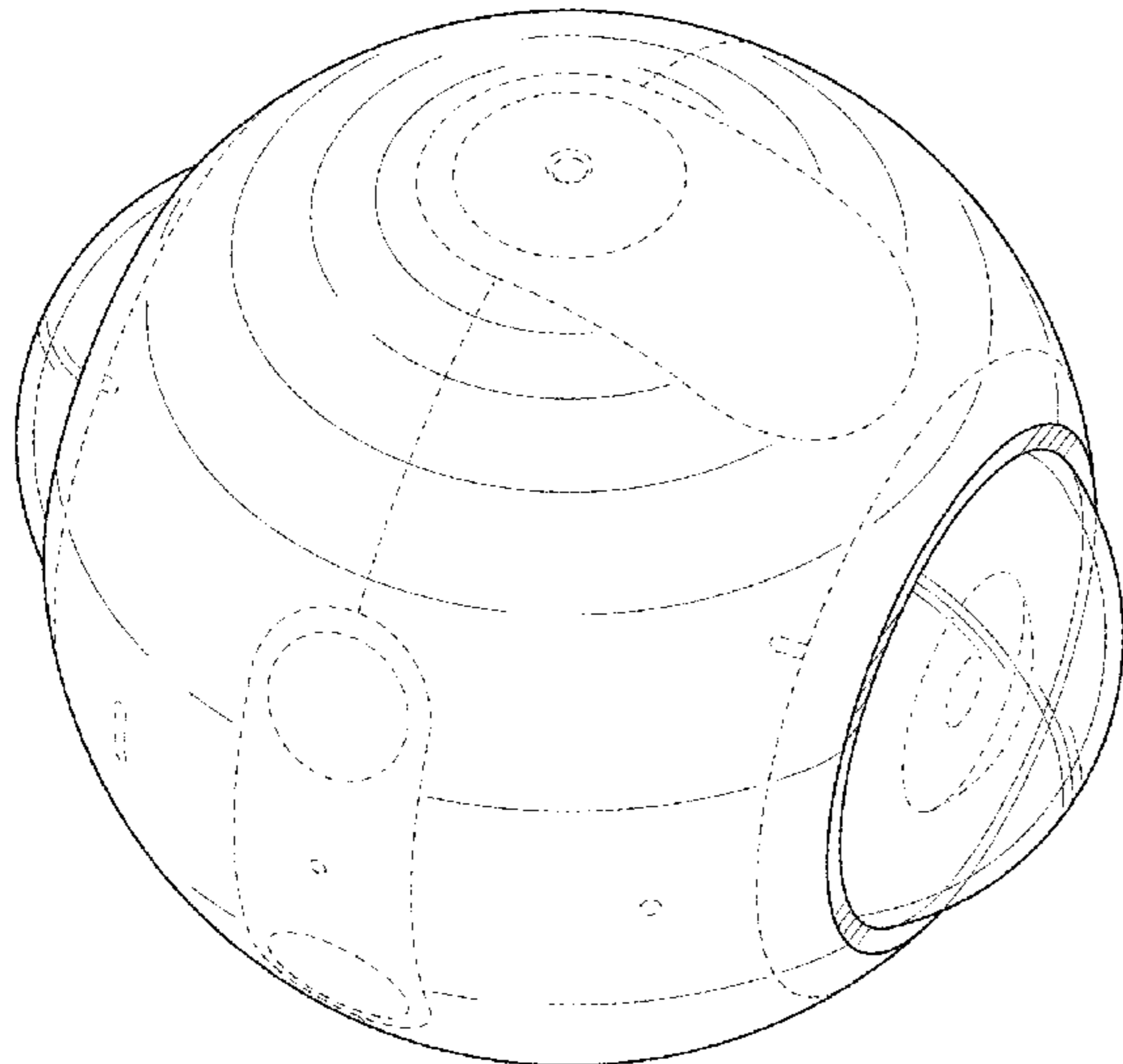


FIG.1

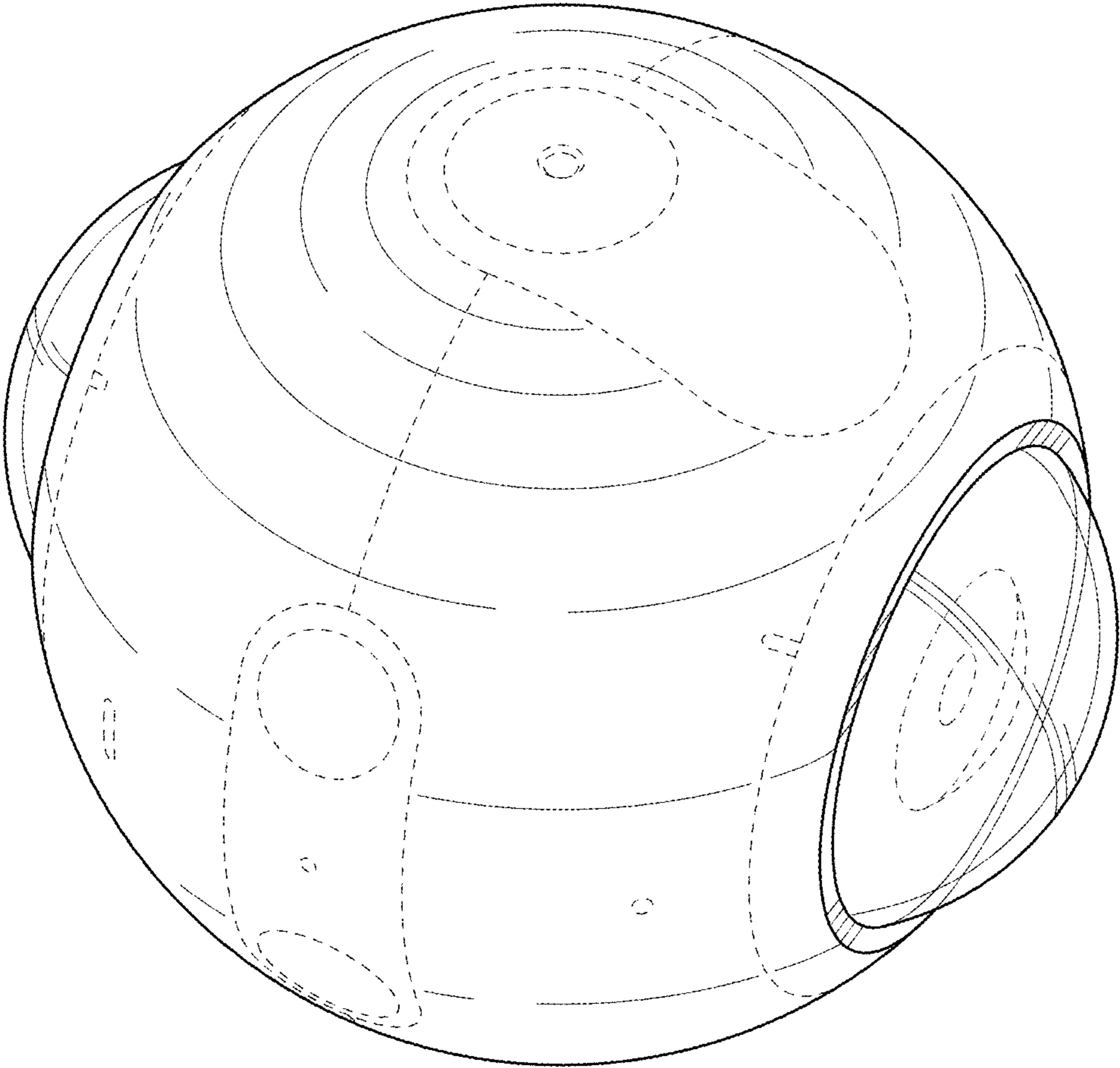


FIG.2

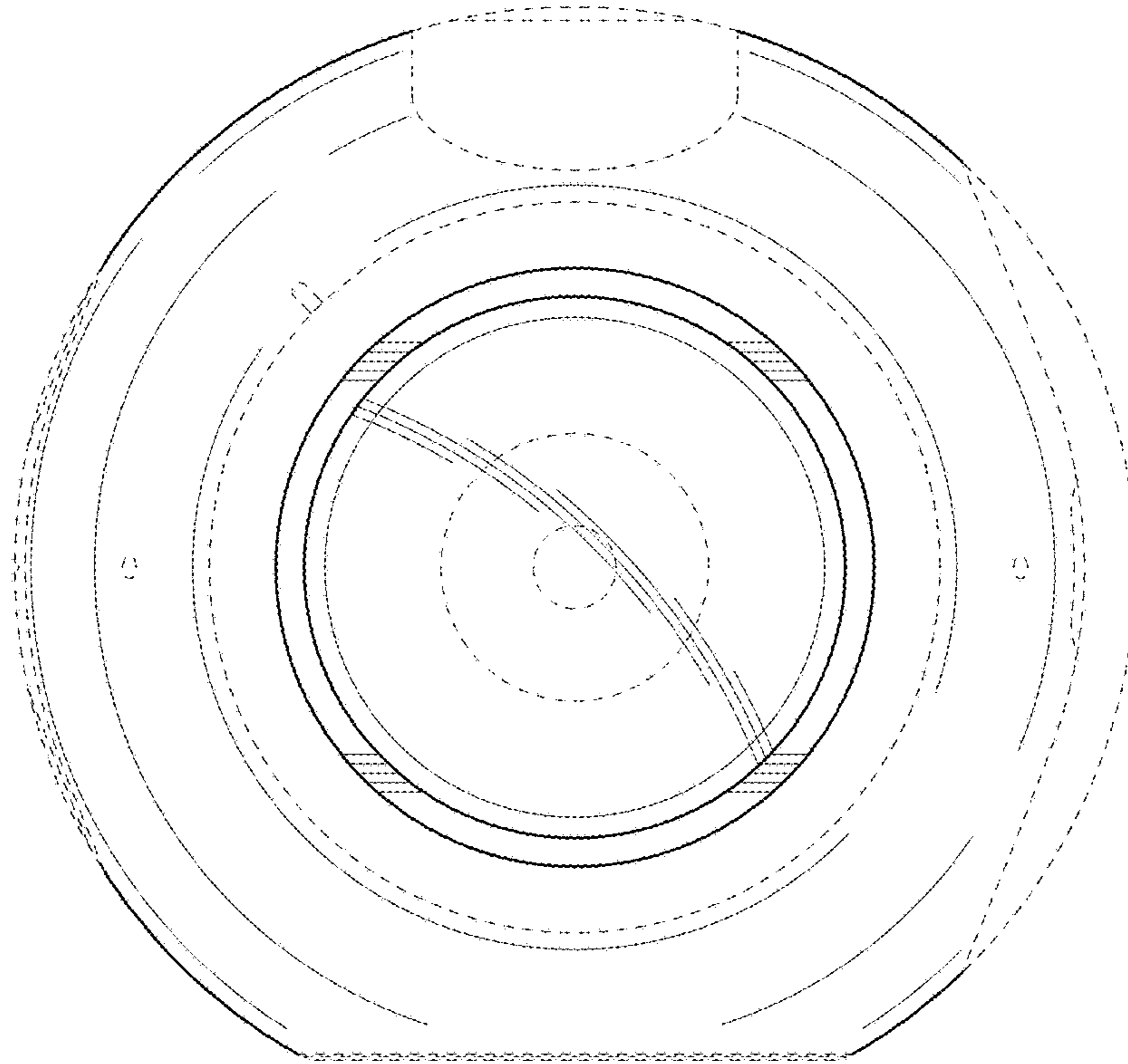


FIG.3

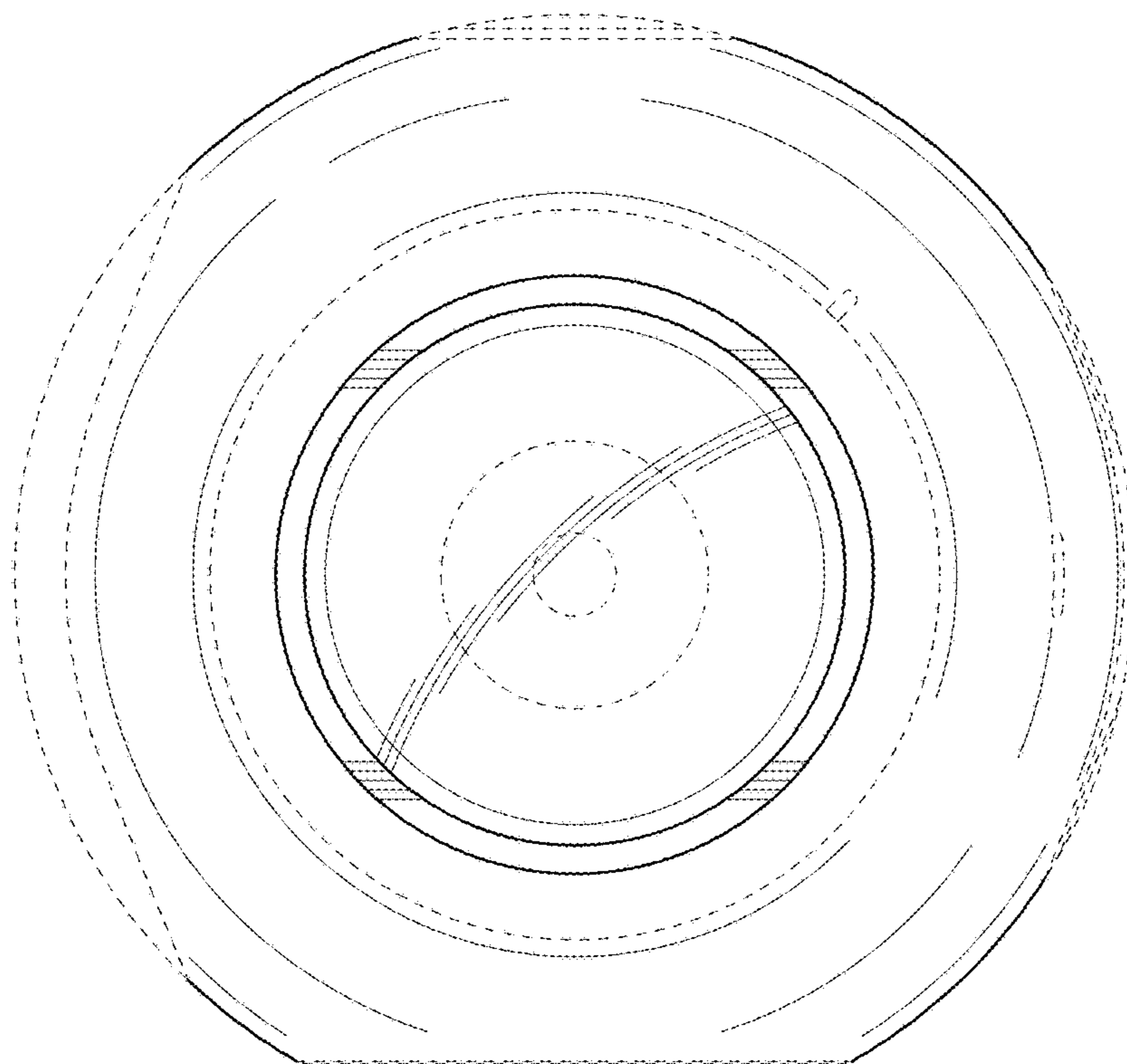


FIG.4

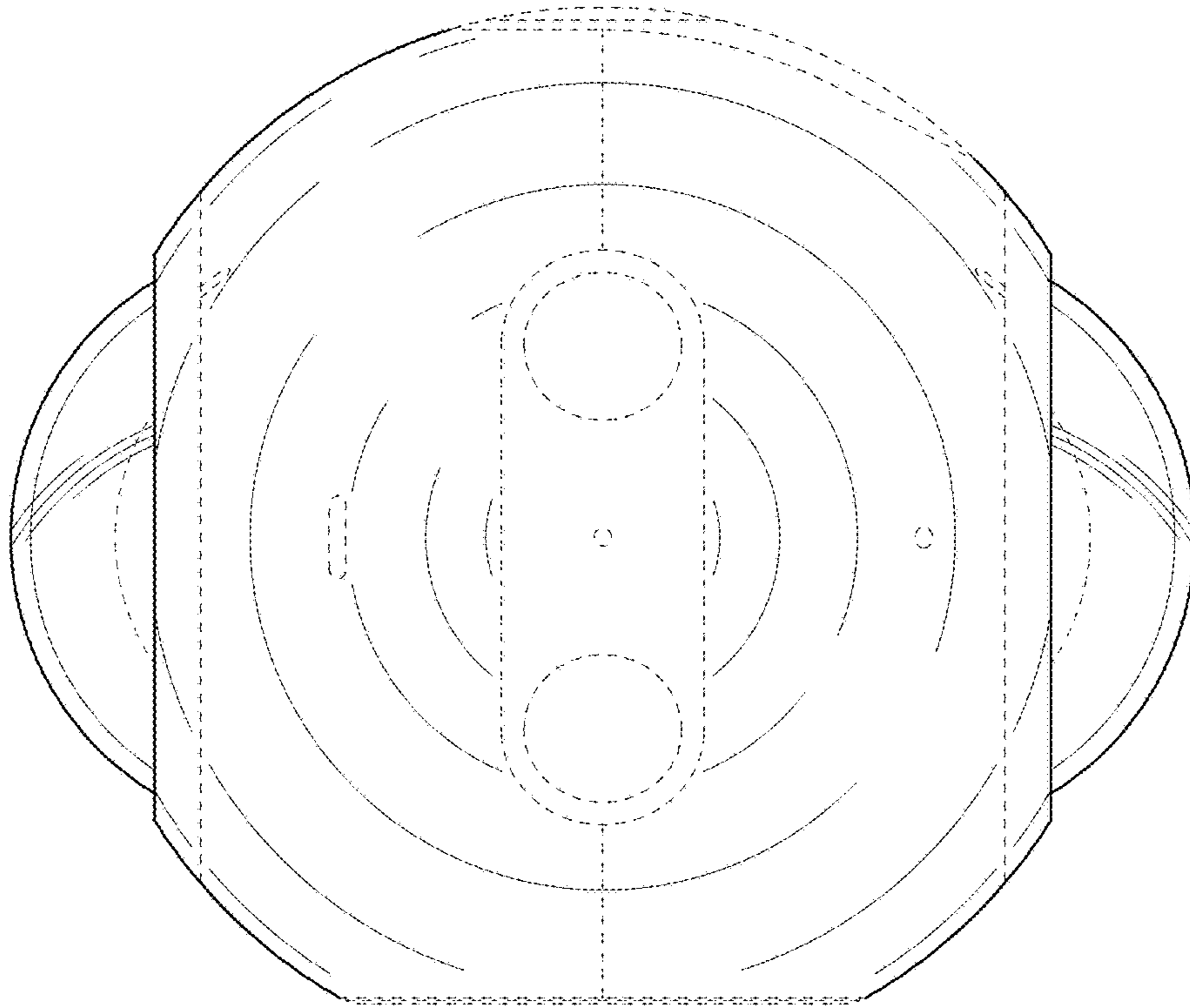


FIG.5

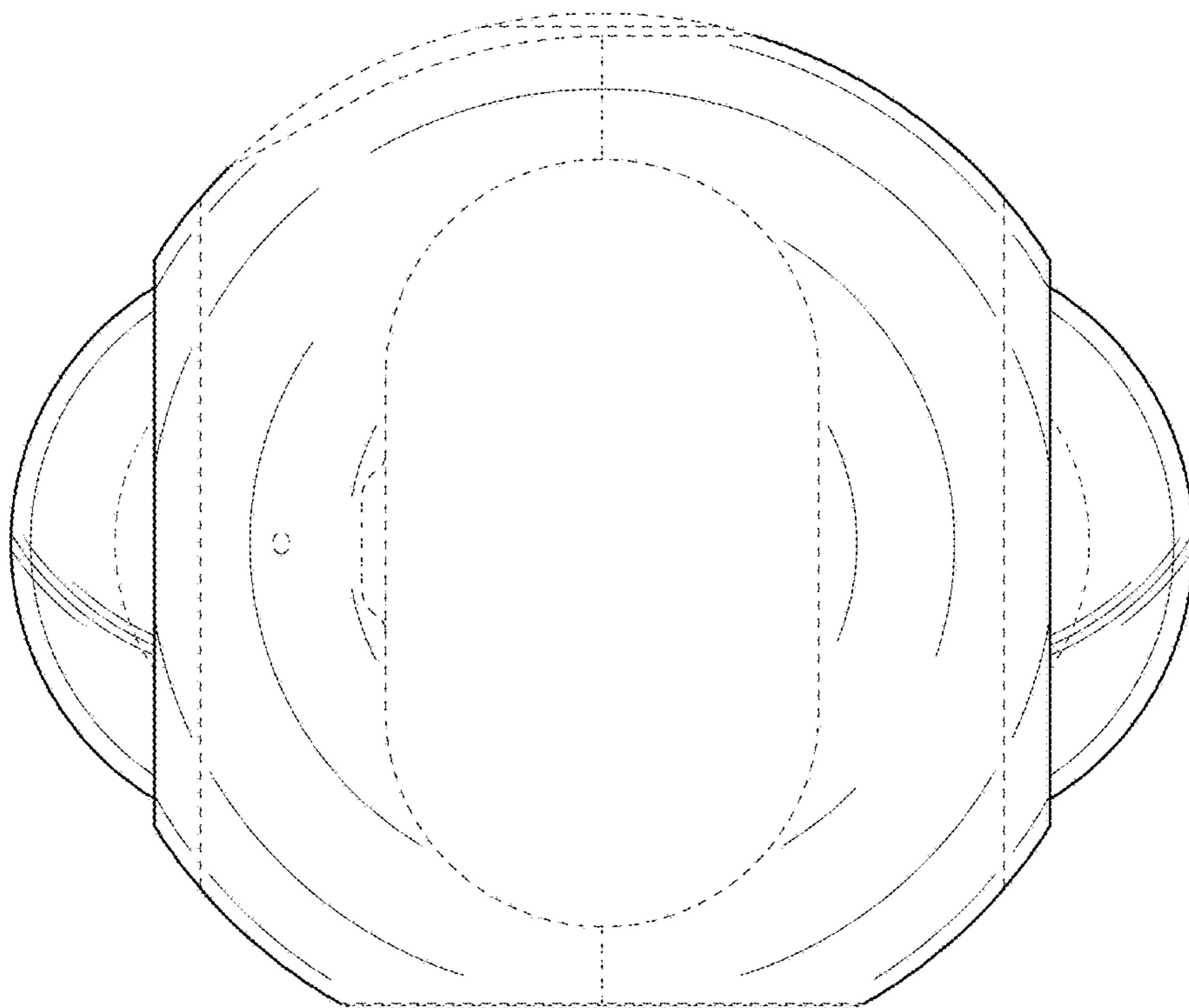


FIG.6

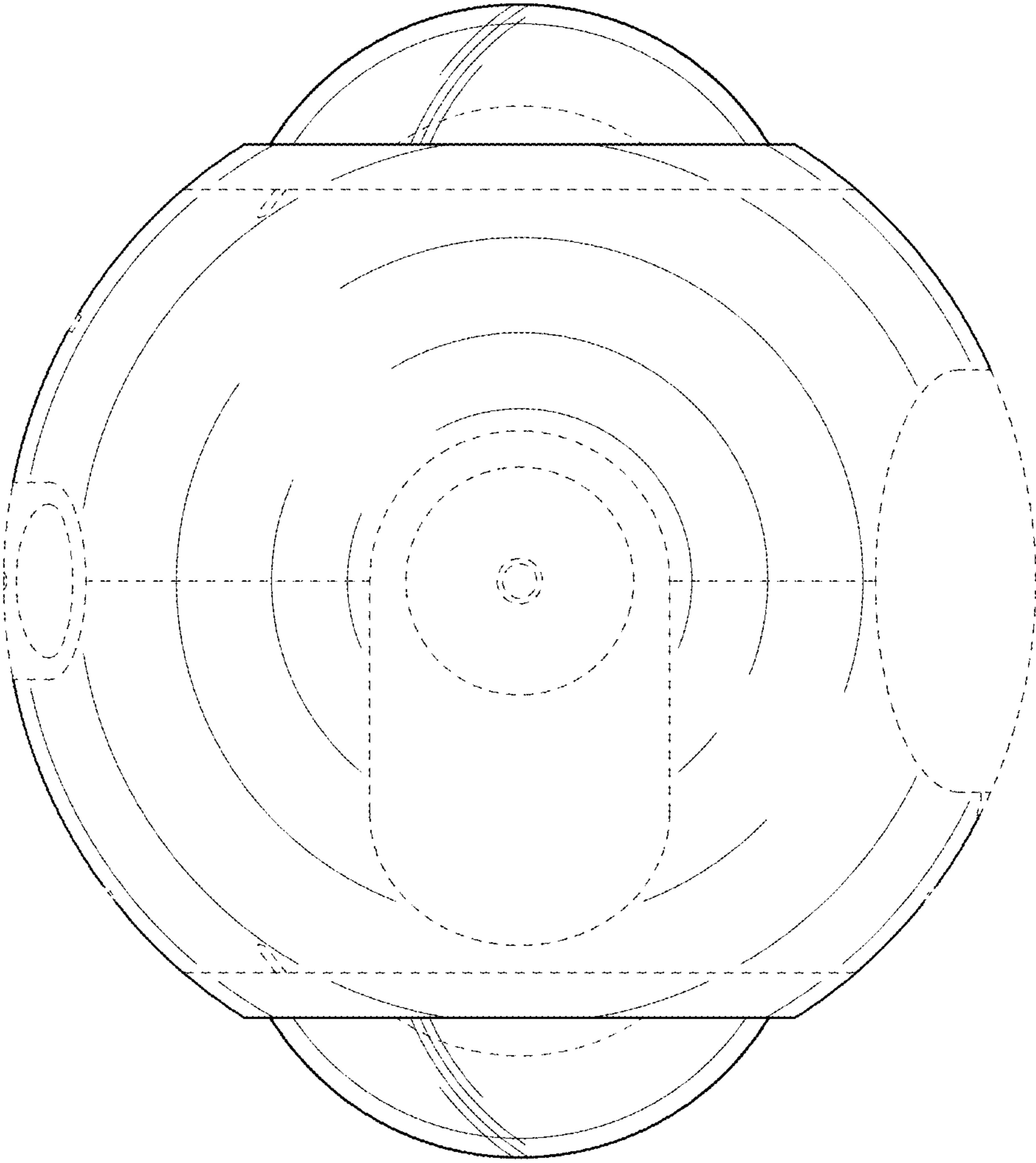


FIG.7

