



US00D815170S

(12) **United States Design Patent**  
**McKenna et al.**

(10) **Patent No.:** **US D815,170 S**

(45) **Date of Patent:** **\*\* Apr. 10, 2018**

(54) **CAMERA**

(71) Applicant: **FLIR Systems, Inc.**, Wilsonville, OR (US)

(72) Inventors: **Brian McKenna**, Nashua, NH (US);  
**Donald S. Thompson**, Santa Ynez, CA (US);  
**Zhenmei Mao**, Shanghai (CN);  
**Xuan Song**, Jiangsu (CN)

(73) Assignee: **FLIR Systems, Inc.**, Wilsonville, OR (US)

(\*\*) Term: **15 Years**

(21) Appl. No.: **29/566,555**

(22) Filed: **May 31, 2016**

(51) **LOC (11) Cl.** ..... **16-01**

(52) **U.S. Cl.**  
USPC ..... **D16/200**

(58) **Field of Classification Search**  
USPC ..... D14/124, 125, 126, 129, 133, 314, 317,  
D14/336, 348-351, 356, 420; D16/131,  
D16/135, 136, 200, 201, 202, 203,  
D16/205-221, 225, 232, 235, 241;  
D24/138

CPC ..... G03B 15/03; G03B 17/04; G03B 17/56;  
G03B 19/04; H04N 5/2251-5/2254

See application file for complete search history.

(56) **References Cited**

U.S. PATENT DOCUMENTS

D466,540 S	*	12/2002	Lannstedt	.....	D16/202
D474,276 S	*	5/2003	Greise	.....	D16/202
D488,826 S	*	4/2004	Zernov	.....	D16/204
D501,864 S	*	2/2005	Greise	.....	D16/202
D528,576 S	*	9/2006	Chung	.....	D16/202
D601,606 S	*	10/2009	Pradhan	.....	D16/206
D607,032 S	*	12/2009	Halleck	.....	D16/202
D611,979 S		3/2010	Frank et al.		

D640,721 S	*	6/2011	Satine	.....	D16/202
D652,440 S		1/2012	Davidson et al.		
D659,734 S	*	5/2012	Ip	.....	D16/202
D667,861 S	*	9/2012	Artonne	.....	D16/203
D694,307 S	*	11/2013	Isozaki	.....	D16/203
D696,329 S	*	12/2013	Horiki	.....	D16/203
D696,330 S	*	12/2013	Matsumoto	.....	D16/203
D698,846 S	*	2/2014	Isozaki	.....	D16/202
D709,118 S	*	7/2014	Yu	.....	D16/203
D719,995 S	*	12/2014	Huang	.....	D16/218
D721,115 S	*	1/2015	Park	.....	D16/203
D722,095 S	*	2/2015	Miyamori	.....	D16/203
D732,100 S	*	6/2015	Jeong	.....	D16/203
D732,597 S	*	6/2015	Celler	.....	D16/203
D733,783 S	*	7/2015	Wu	.....	D16/206

(Continued)

*Primary Examiner* — Susan E Krakower

*Assistant Examiner* — L. A. Grabenstetter

(74) *Attorney, Agent, or Firm* — Haynes and Boone, LLP

(57) **CLAIM**

The ornamental design for a camera, as shown and described.

**DESCRIPTION**

FIG. 1 is a rear, left, and top perspective view of a camera embodying our new design;

FIG. 2 is a left side view thereof;

FIG. 3 is a right side view thereof;

FIG. 4 is a top plan view thereof;

FIG. 5 is a bottom plan view thereof;

FIG. 6 is a front elevational view thereof;

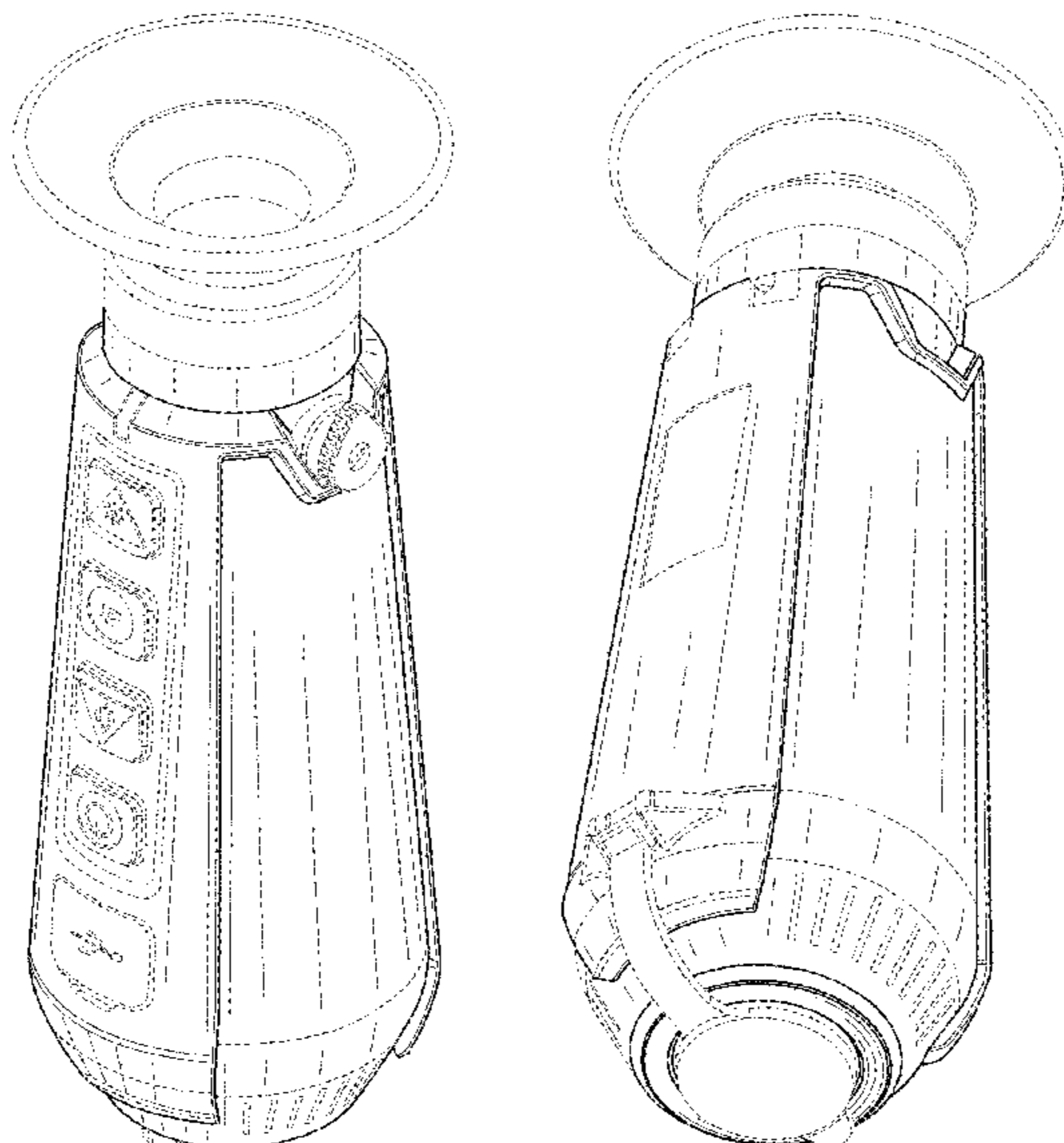
FIG. 7 is a rear elevational view thereof; and,

FIG. 8 is a front, right, and bottom perspective view thereof; and,

FIG. 9 is a front, right, and bottom perspective view thereof illustrating the camera without a lens cover.

The broken lines in the figures are for the purpose of illustrating portions of the camera that form no part of the claimed design.

**1 Claim, 9 Drawing Sheets**



(56)

**References Cited**

U.S. PATENT DOCUMENTS

D736,293 S *	8/2015	Schmidt .....	D16/203
D739,452 S *	9/2015	Adams .....	D16/203
D741,388 S *	10/2015	Register .....	D16/202
D750,685 S	3/2016	Santos	

\* cited by examiner

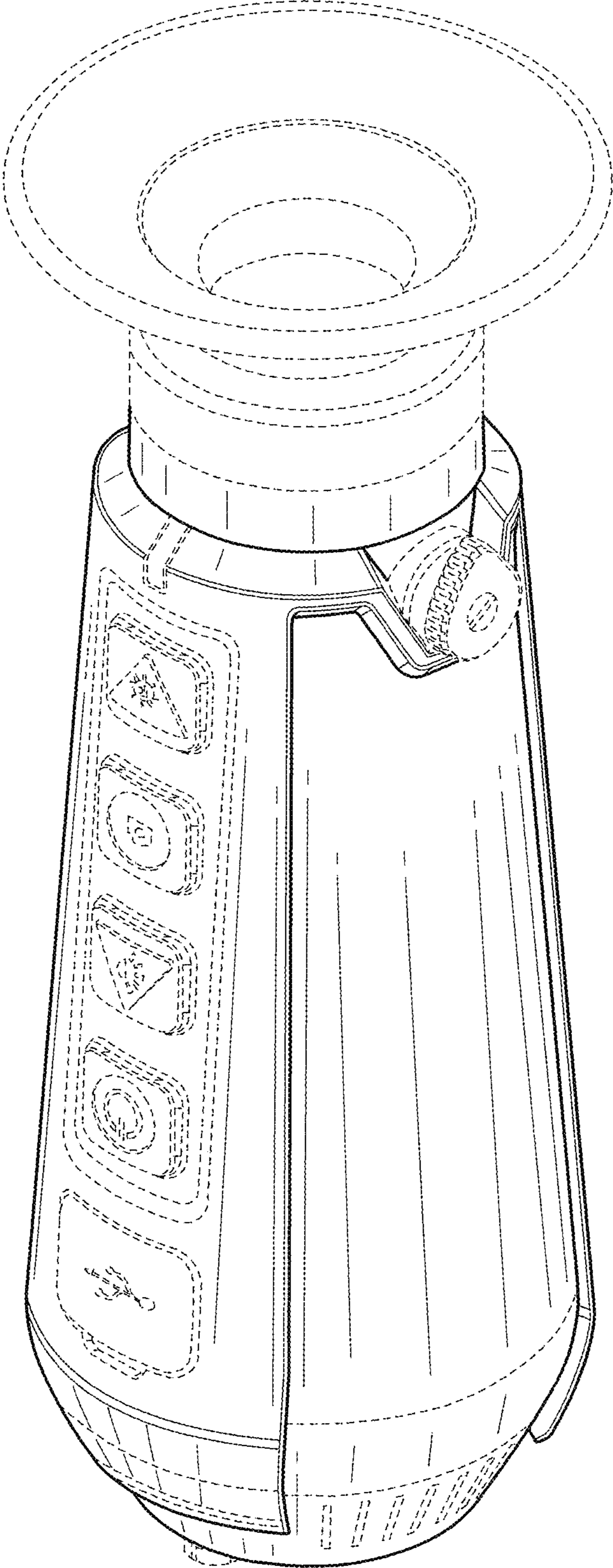


FIG. 1

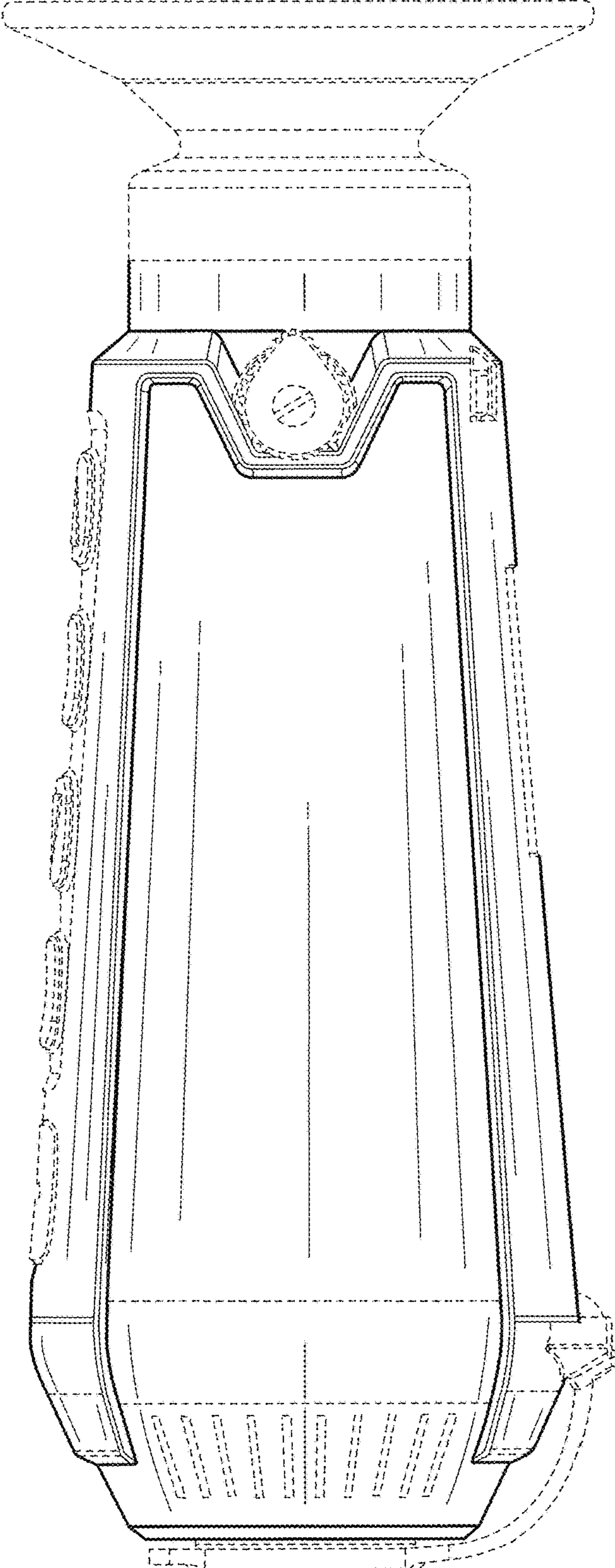


FIG. 2



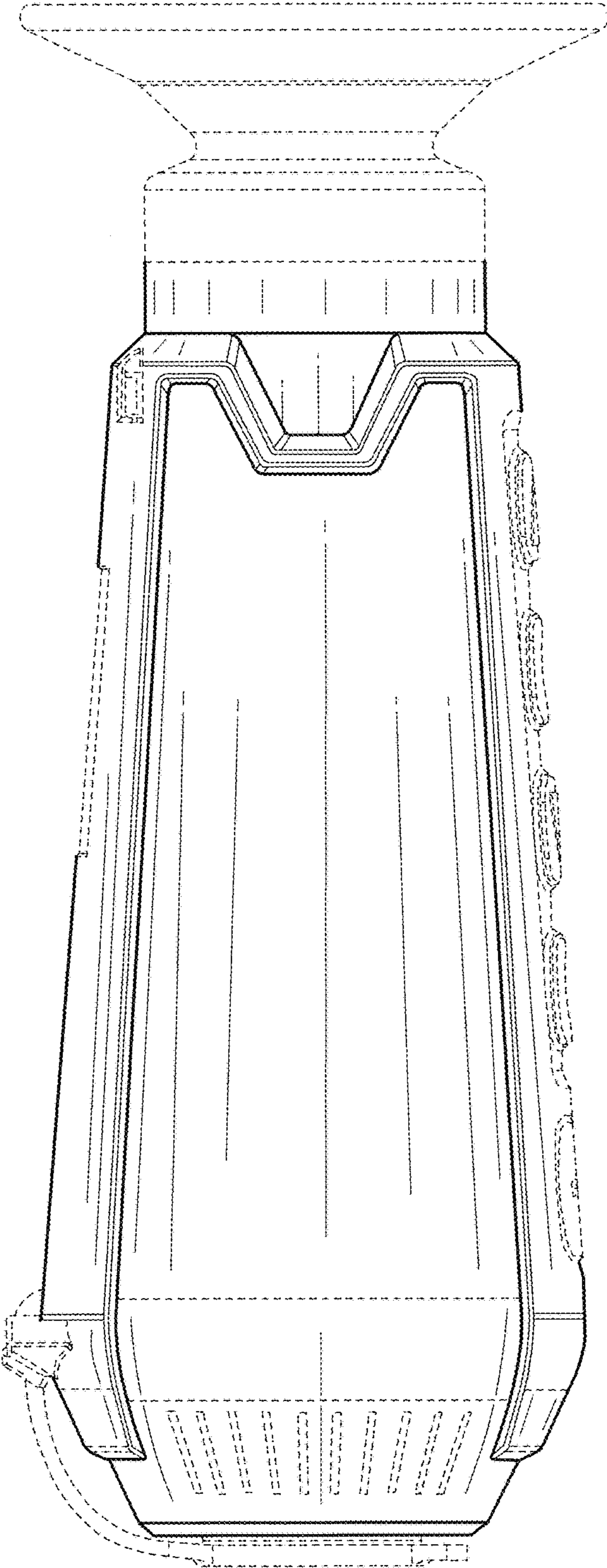


FIG. 3

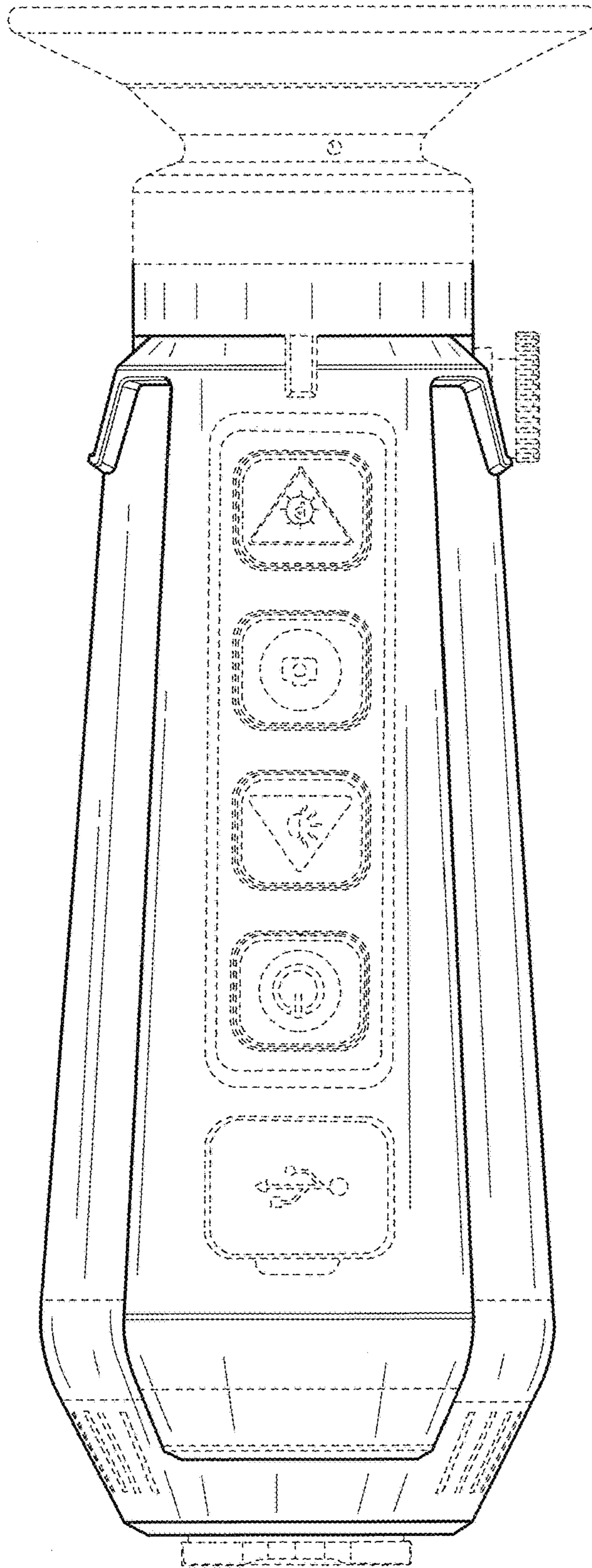


FIG. 4

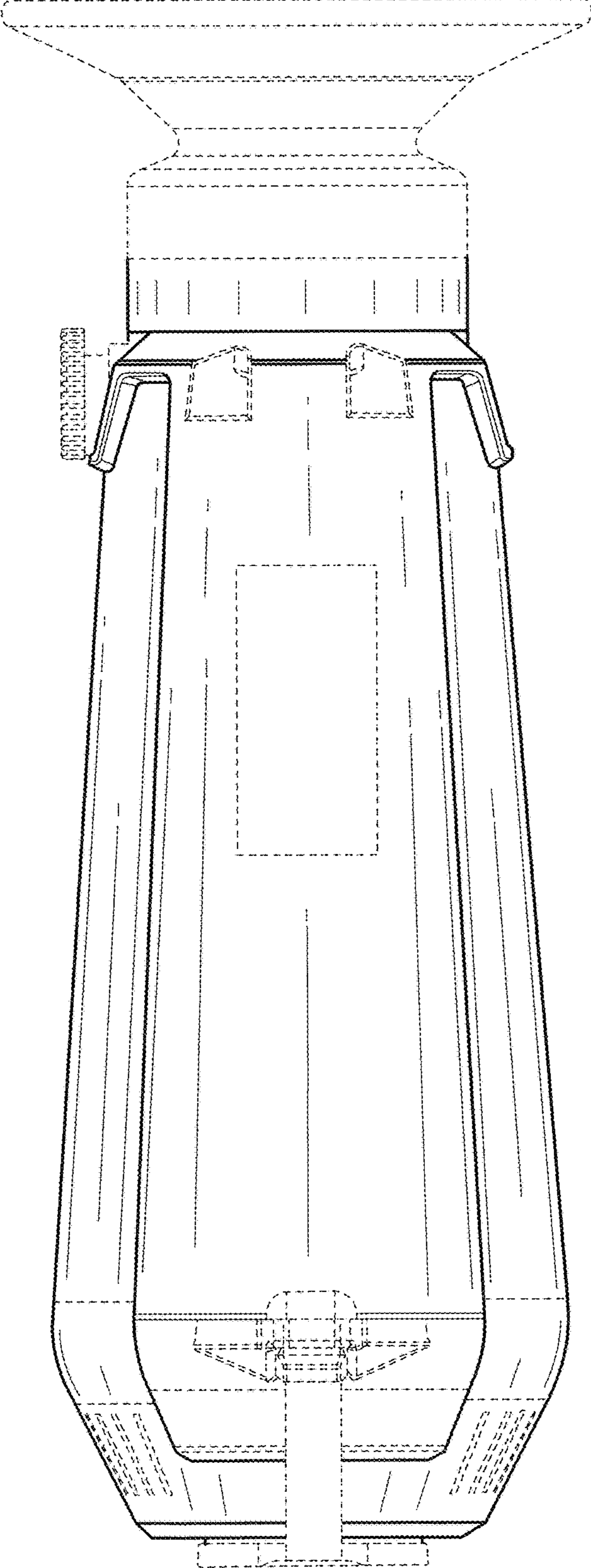


FIG. 5

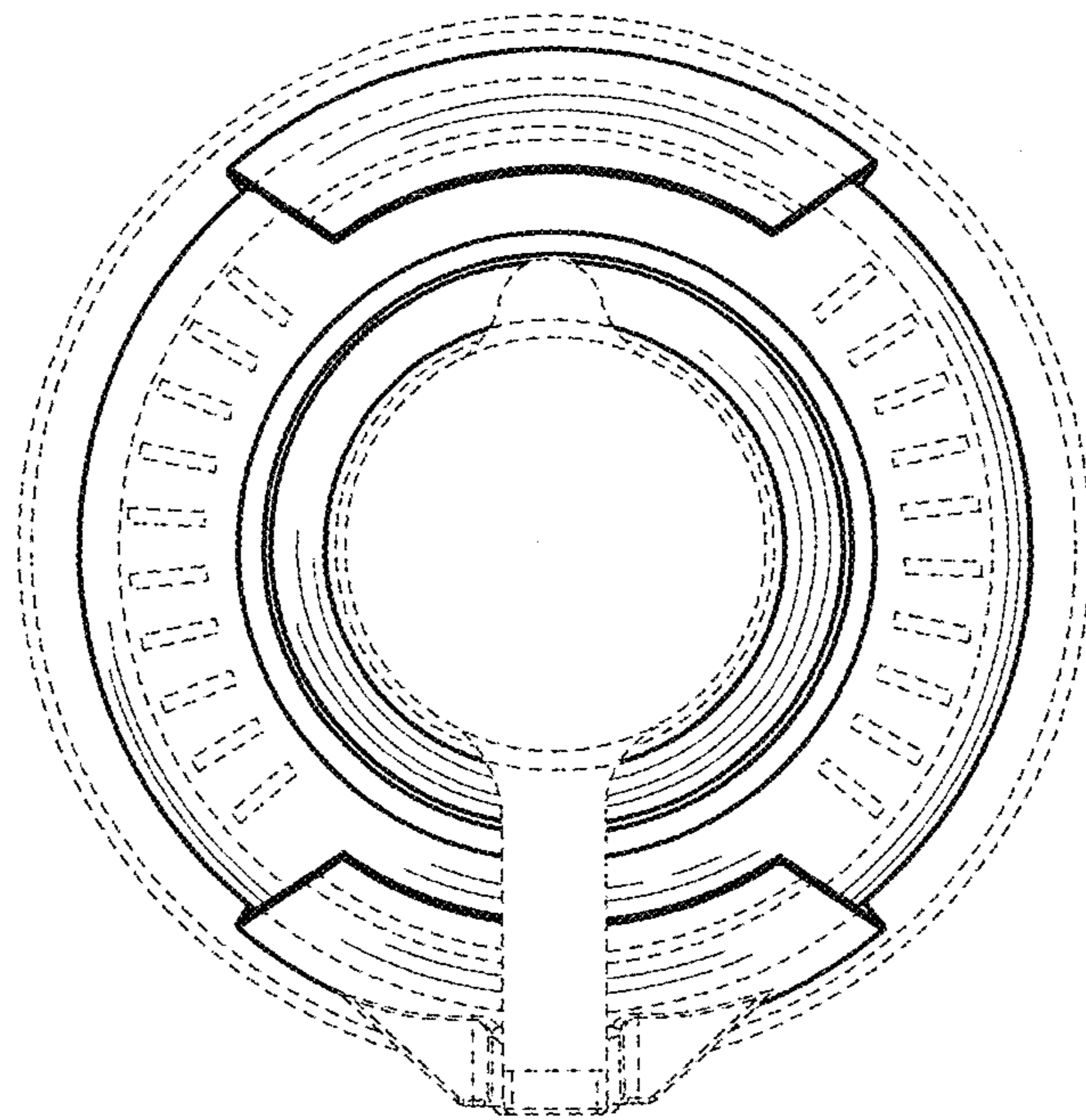


FIG. 6



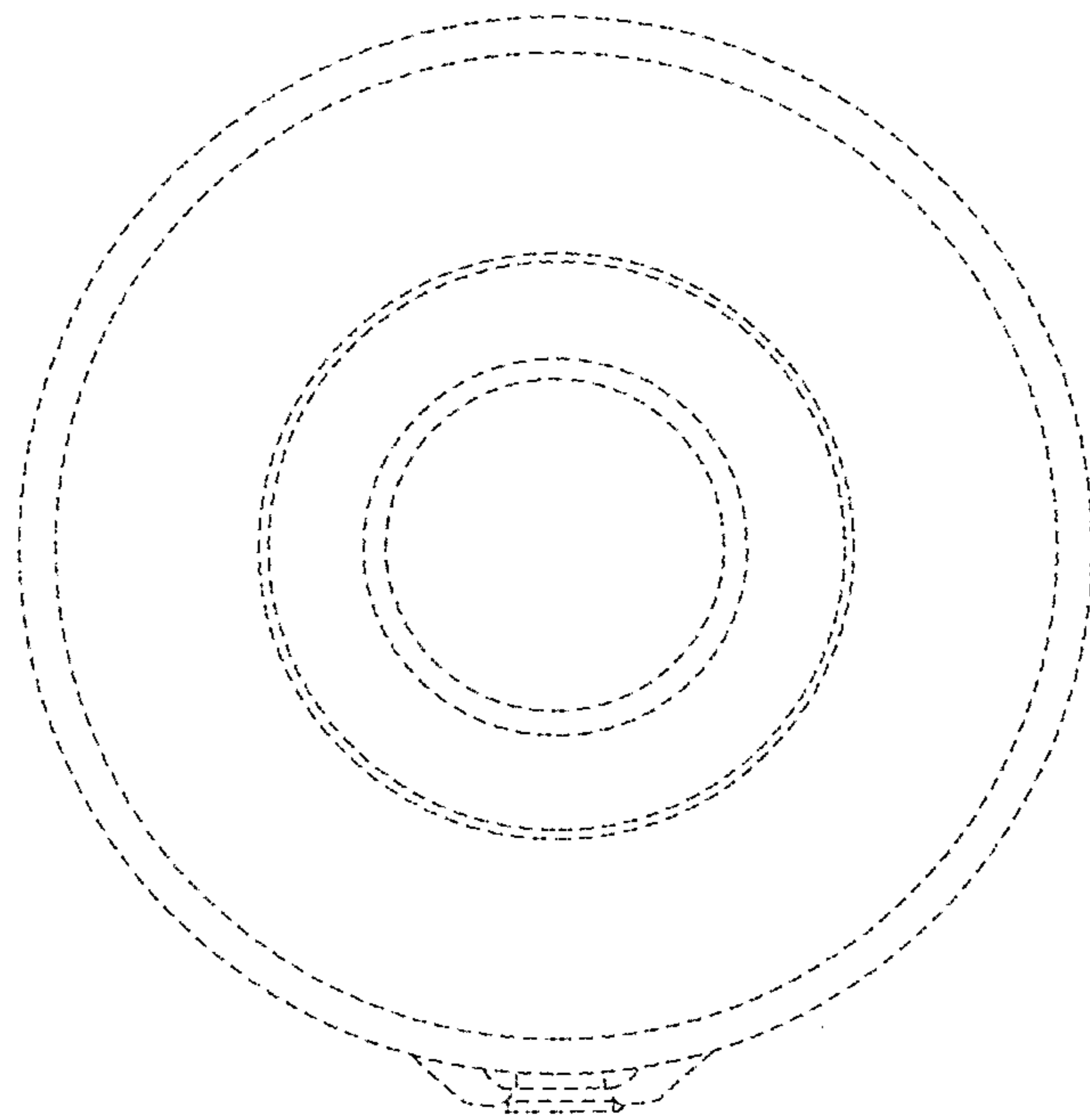


FIG. 7

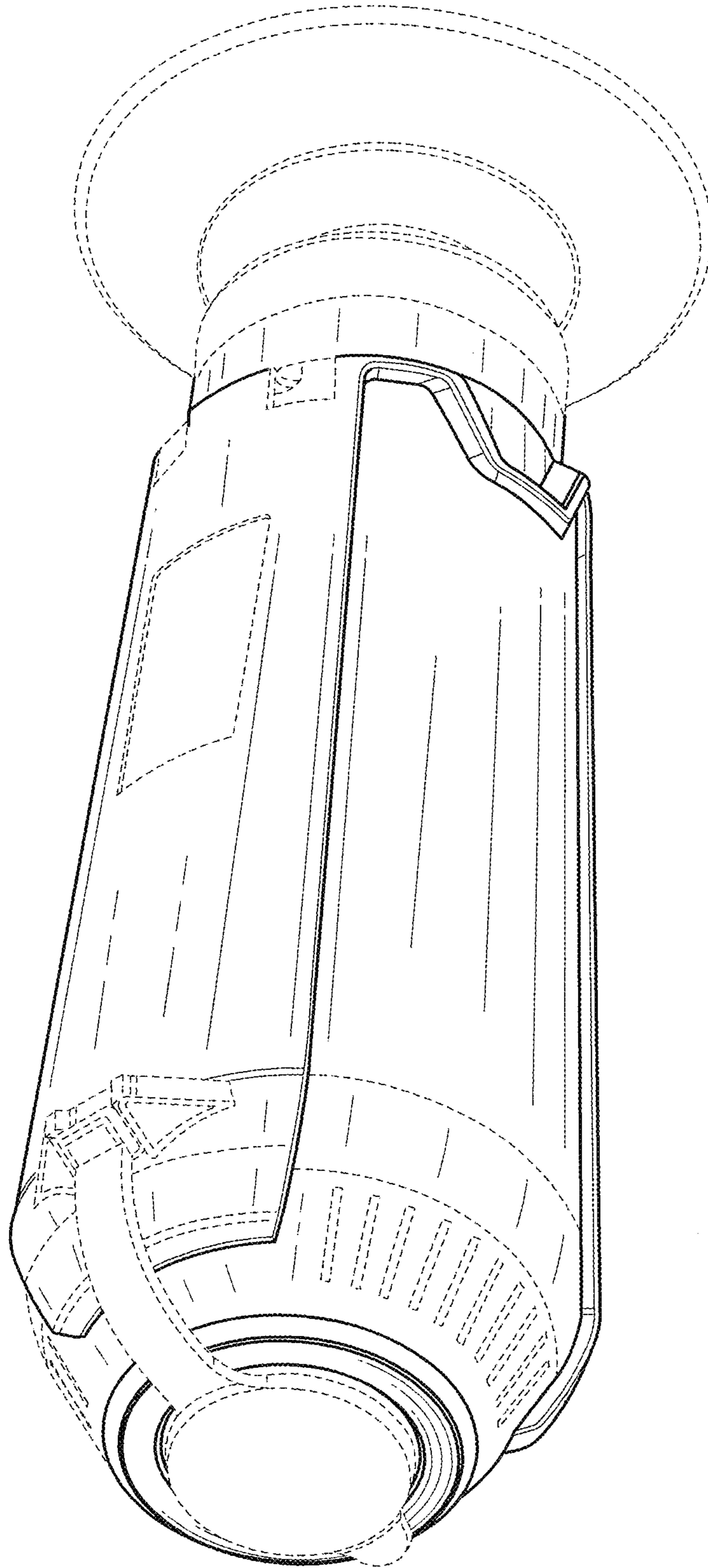


FIG. 8

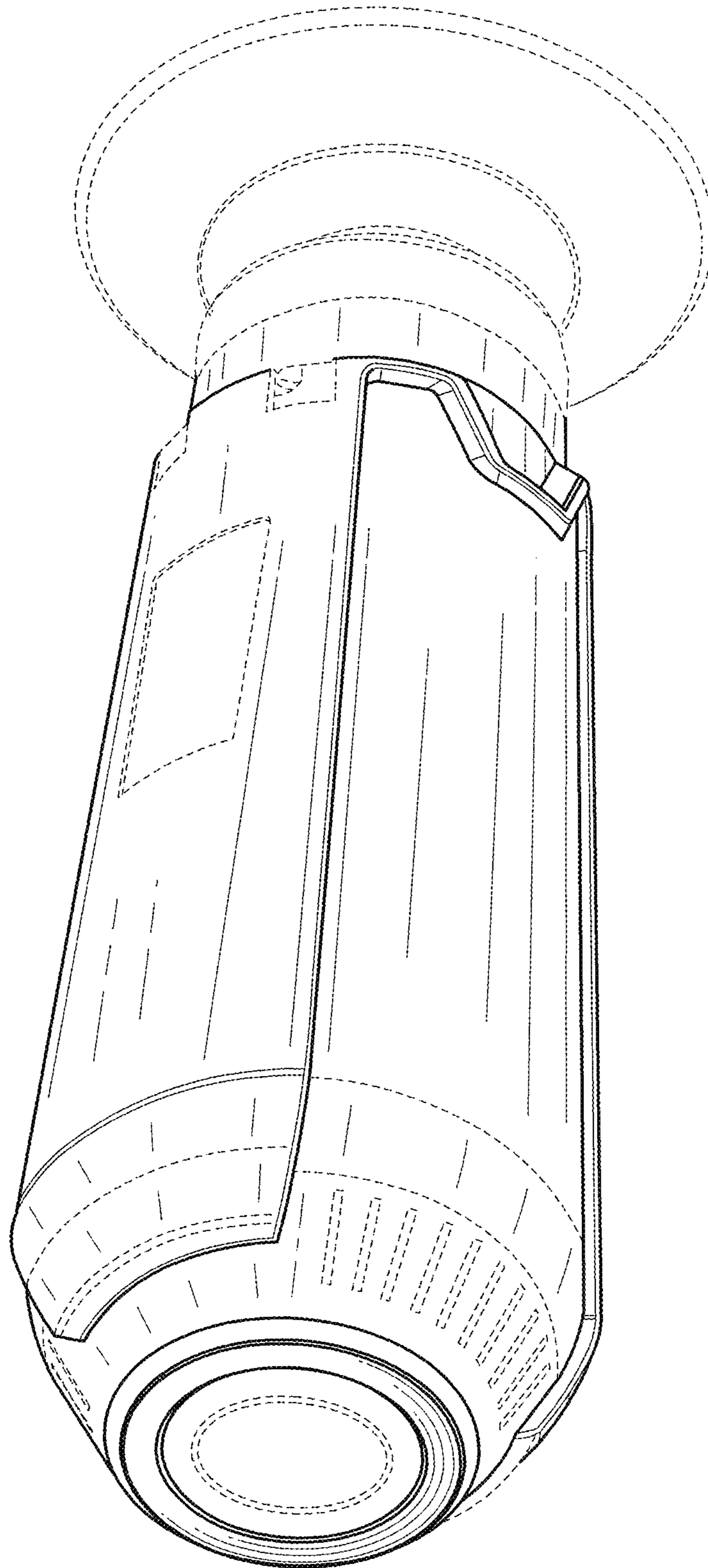


FIG. 9