



US00D815168S

(12) **United States Design Patent**
Cash et al.

(10) **Patent No.:** **US D815,168 S**
(45) **Date of Patent:** **** Apr. 10, 2018**

(54) **CARTRIDGE FOR HEAT PUMP DISPENSER**

(71) Applicant: **RPM Wood Finishes Group, Inc.**,
Hickory, NC (US)
(72) Inventors: **Steve Cash**, Matthews, NC (US); **Colin Campbell**, Charlotte, NC (US); **Marc Vitantonio**, South Russell, OH (US); **Robert Vystrcil**, Garrettsville, OH (US); **Trevor Jackson**, Kirtland, OH (US); **Chris deHaas**, Madison, OH (US); **Robert Soreo**, Cleveland Heights, OH (US)
(73) Assignee: **RPM WOOD FINISHES GROUP, INC.**, Hickory, NC (US)

(**) Term: **15 Years**

(21) Appl. No.: **29/605,013**

(22) Filed: **May 23, 2017**

(51) **LOC (11) Cl.** **15-03**

(52) **U.S. Cl.**
USPC **D15/144**

(58) **Field of Classification Search**
USPC D15/144, 144.1, 144.2; D8/29.1, 29.2, D8/30; D22/108
CPC B23K 9/0953; B23K 9/0956; B23K 9/10; B23K 9/173; B23K 9/285; B23K 9/295; B23K 9/32; B05C 17/005; B05C 17/00526; B05C 17/00523
See application file for complete search history.

(56) **References Cited**

U.S. PATENT DOCUMENTS

5,664,701 A * 9/1997 Massena B05C 17/00526
219/227
6,170,709 B1 * 1/2001 Huang B05C 17/00523
222/146.5

6,840,403 B2 * 1/2005 Girouard B44D 3/22
222/1
D590,852 S * 4/2009 Killion D15/144
D626,809 S * 11/2010 Louet-Feisser D8/30
D652,437 S * 1/2012 Furujo D15/144
D721,111 S * 1/2015 Hassan D15/144
D735,786 S * 8/2015 Sallander D15/144
D744,560 S * 12/2015 Hassan D15/144
D750,144 S * 2/2016 Stephens D15/144
D750,145 S * 2/2016 Stephens D15/144
D752,403 S * 3/2016 Kindig D15/144
D753,739 S * 4/2016 Bell D15/144
D771,168 S * 11/2016 Bell D15/144
D771,727 S * 11/2016 Imi D15/144
D776,177 S * 1/2017 Namburu D15/144
9,694,383 B2 * 7/2017 Jurcevic B05C 17/0052
9,889,465 B2 * 2/2018 Ettlin B05C 17/0136
2015/0021359 A1 * 1/2015 Belanger B05C 17/00523
222/146.5

* cited by examiner

Primary Examiner — Ian Simmons

Assistant Examiner — Khawaja Anwar

(74) *Attorney, Agent, or Firm* — Rankin, Hill & Clark
LLP

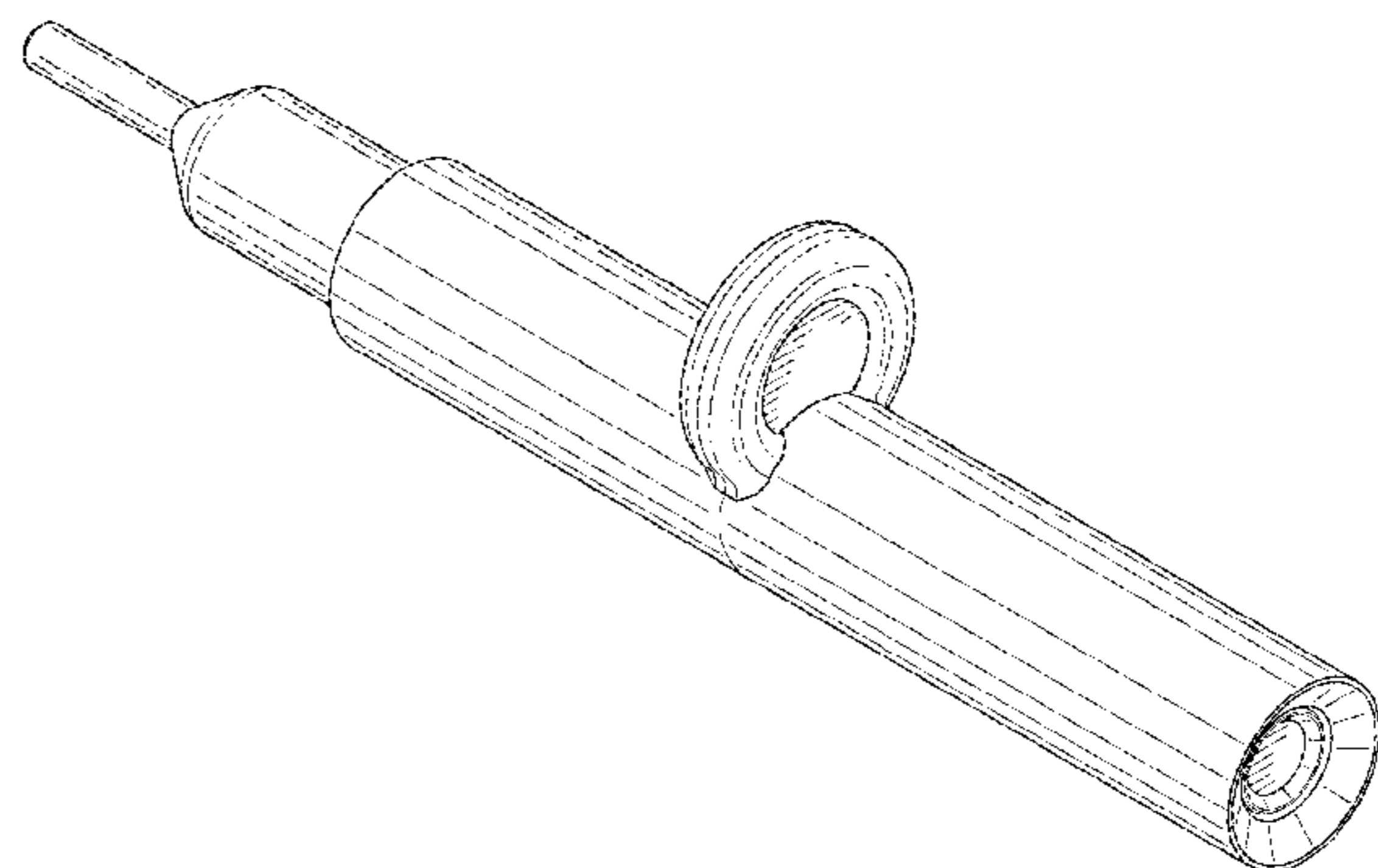
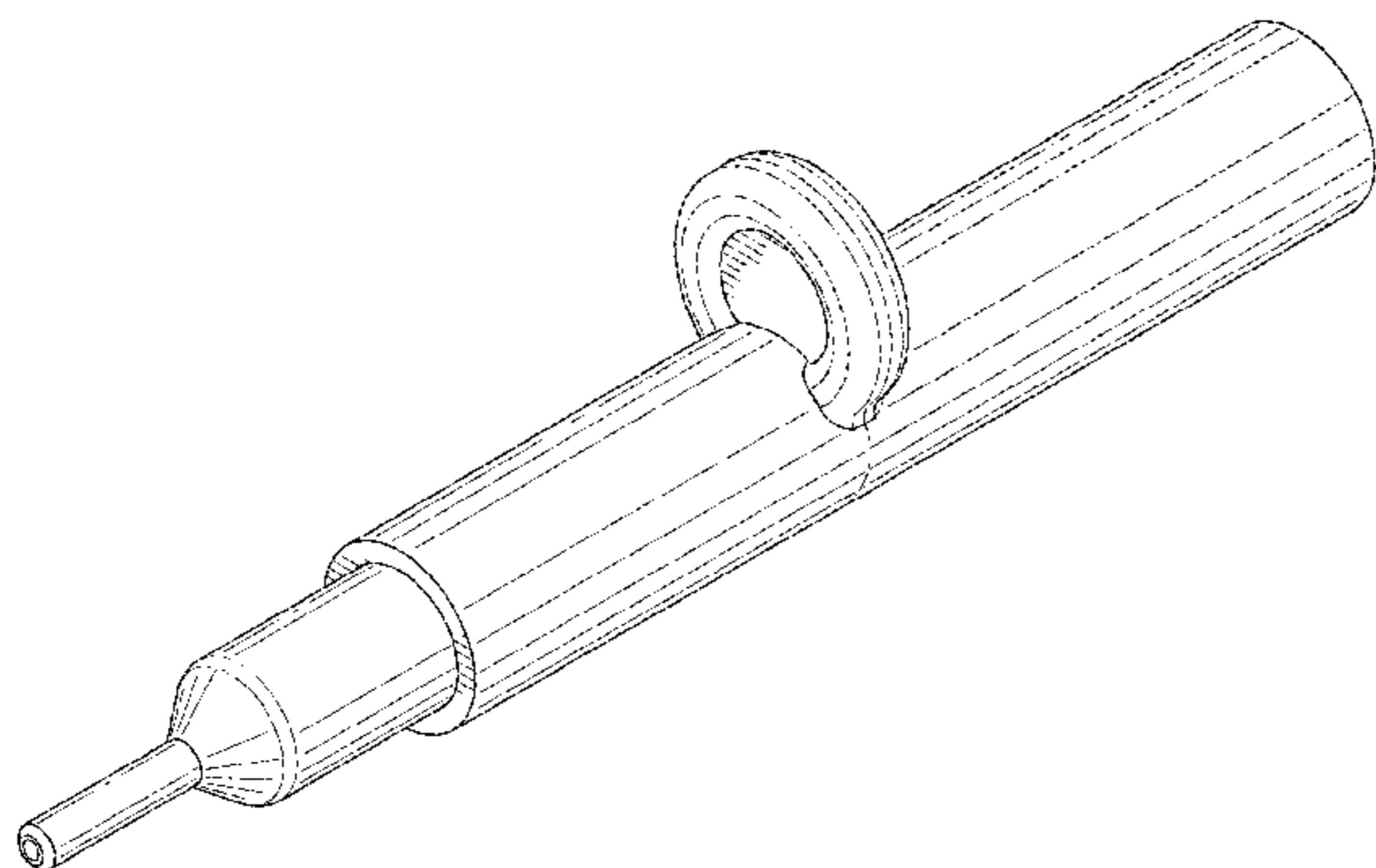
(57) **CLAIM**

The ornamental design for a cartridge for heat pump dispenser, as shown and described.

DESCRIPTION

FIG. 1 is a perspective view of a cartridge for heat pump dispenser;
FIG. 2 is another perspective view thereof;
FIG. 3 is a left side elevation view thereof;
FIG. 4 is a right side elevation view thereof;
FIG. 5 is a top plan view thereof;
FIG. 6 is a bottom plan view thereof;
FIG. 7 is a front elevation view thereof; and,
FIG. 8 is a rear elevation view thereof.

1 Claim, 7 Drawing Sheets



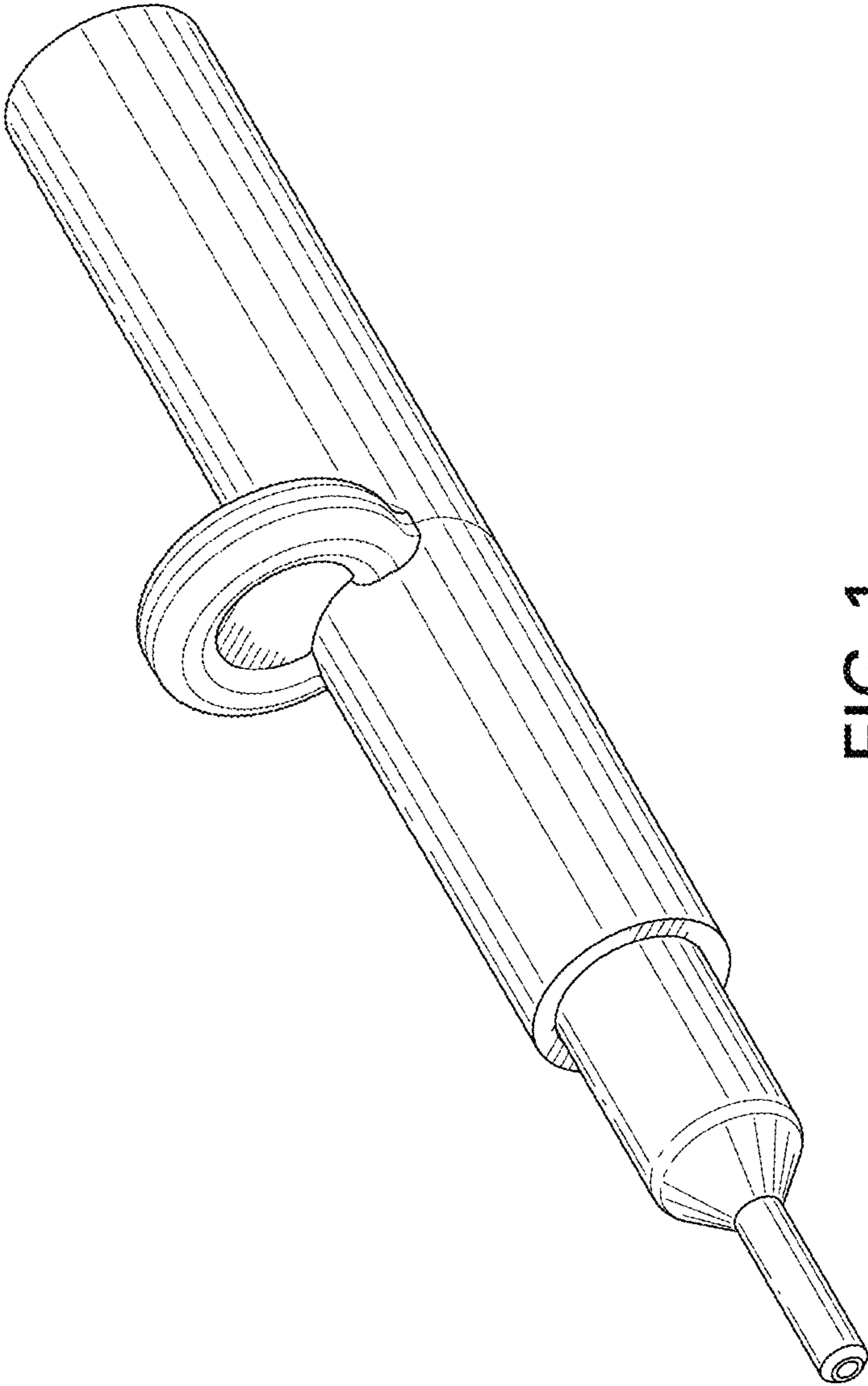


FIG. 1

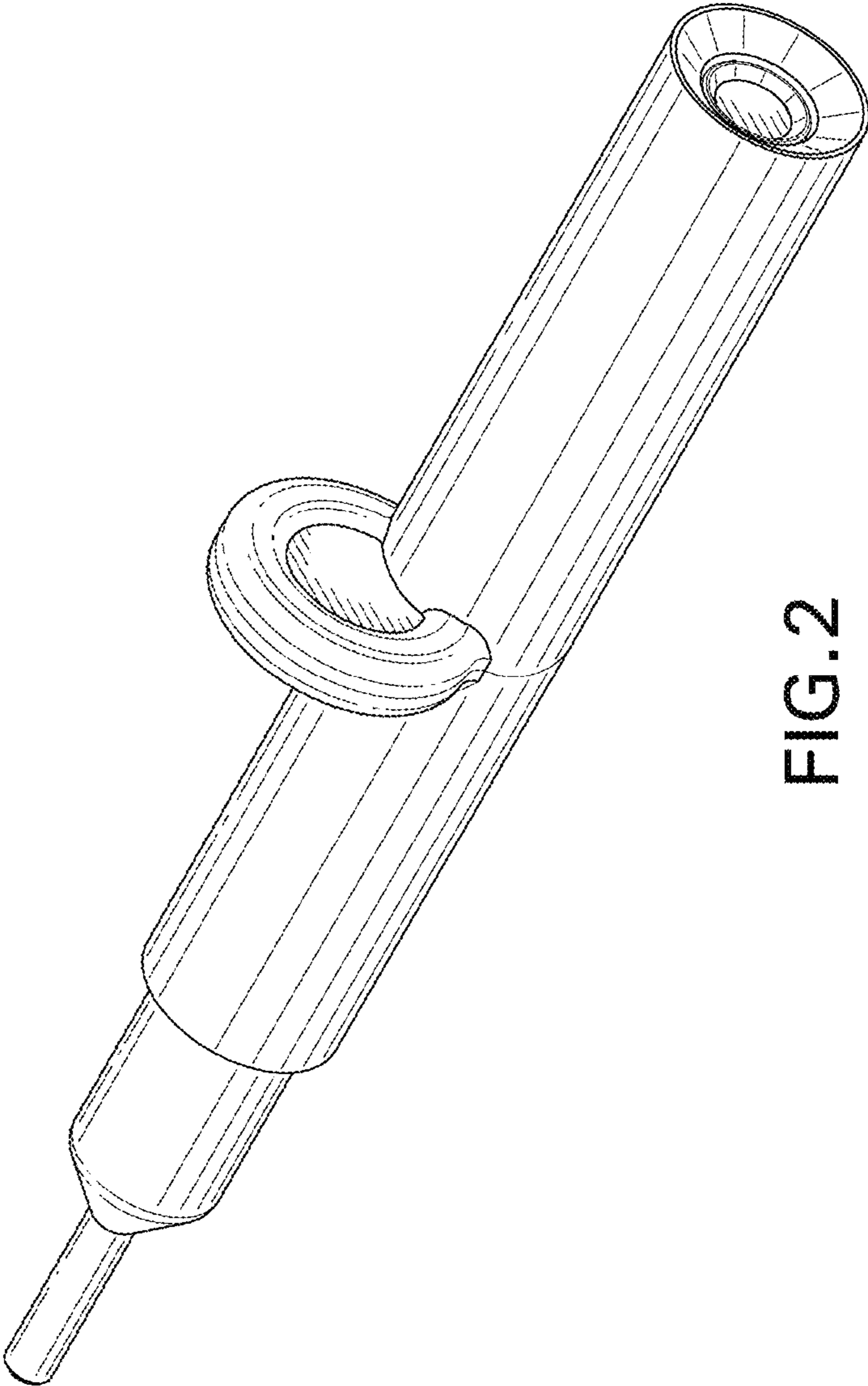


FIG. 2

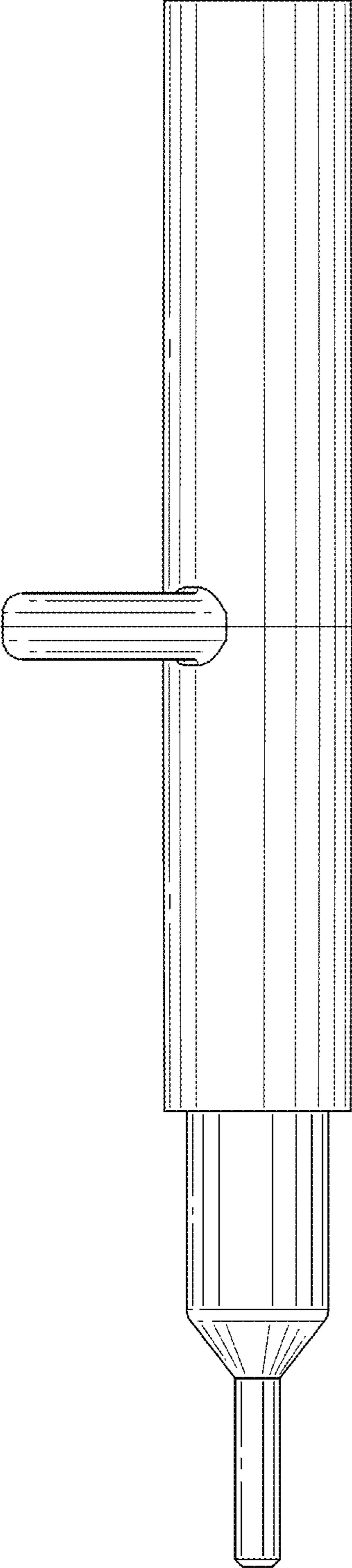


FIG. 3

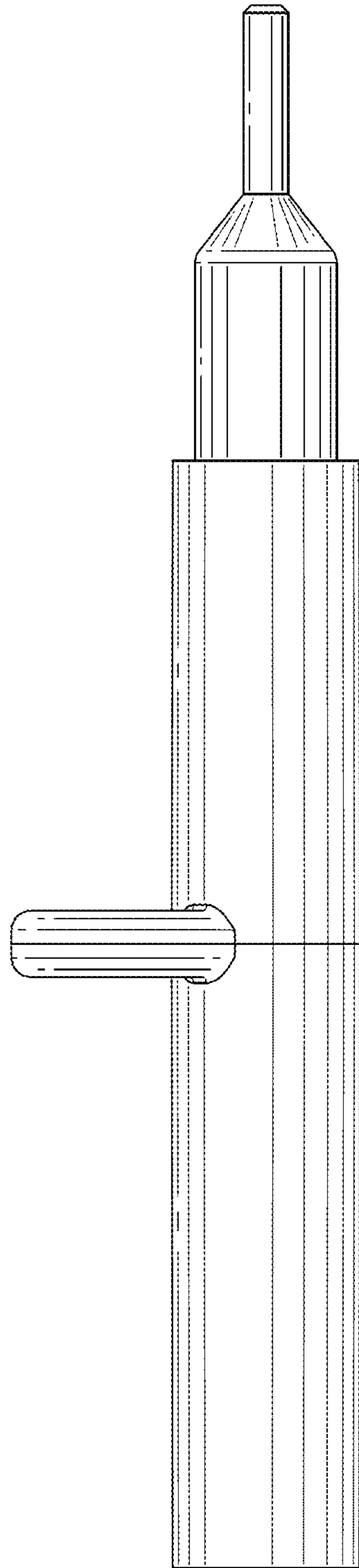


FIG. 4

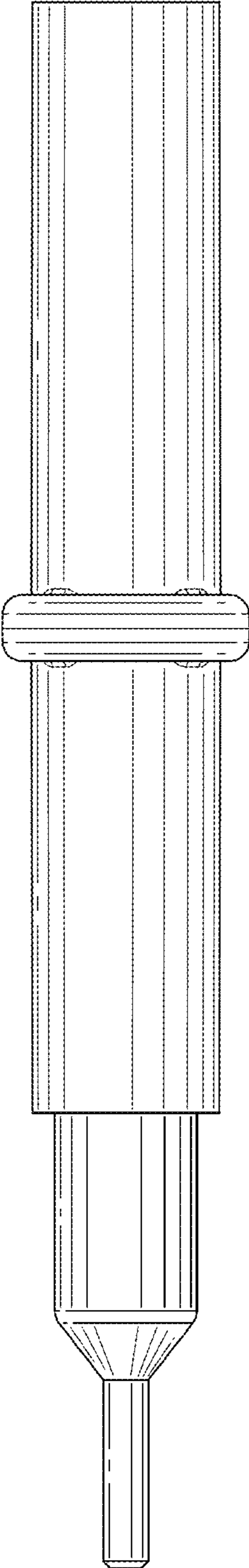


FIG. 5

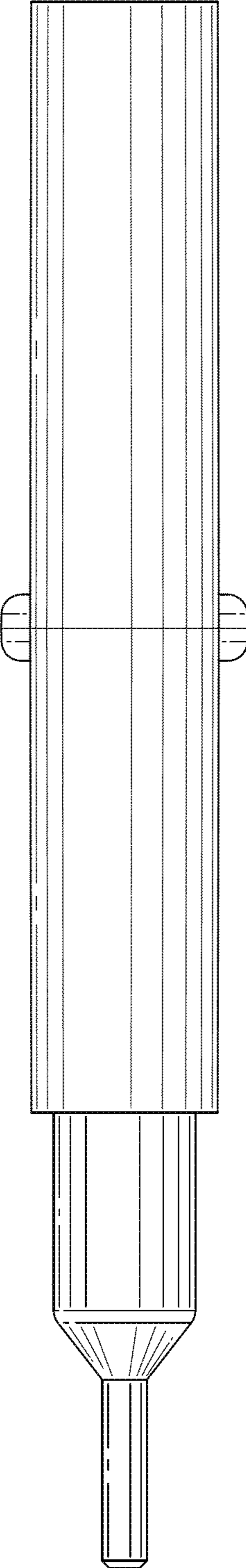


FIG. 6

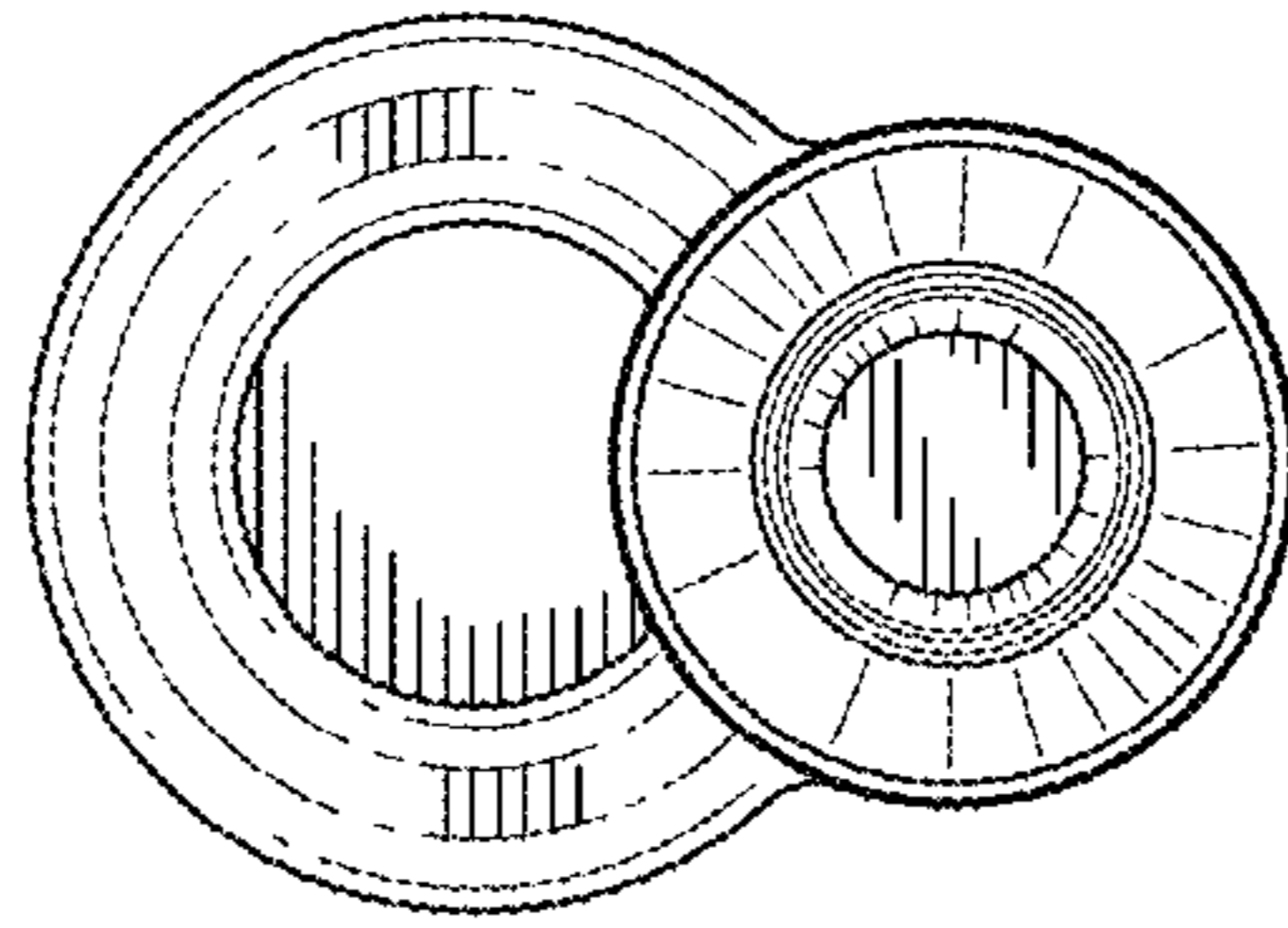


FIG. 8

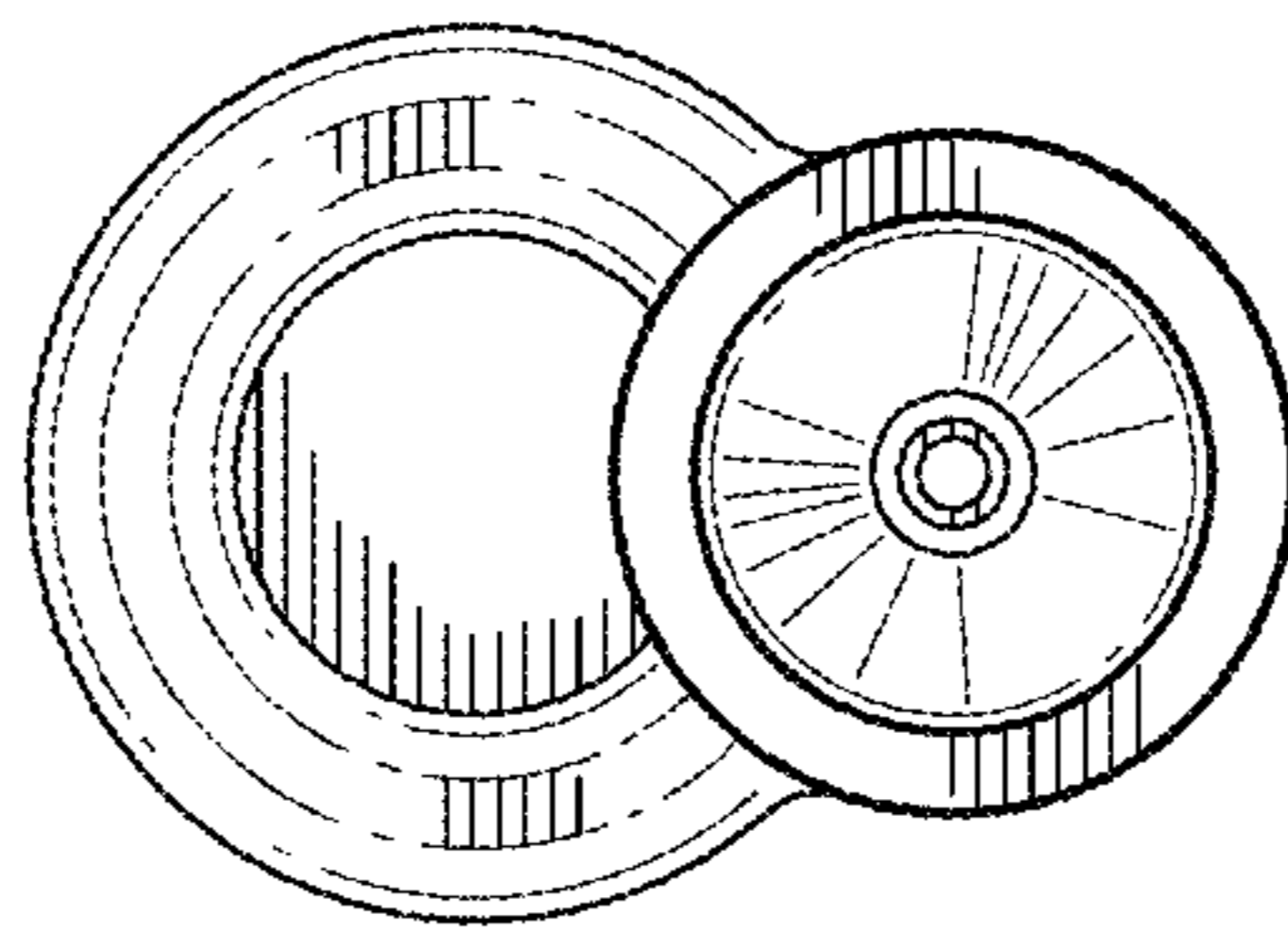


FIG. 7