



US00D815166S

(12) **United States Design Patent**
Kato

(10) **Patent No.:** **US D815,166 S**

(45) **Date of Patent:** **** Apr. 10, 2018**

(54) **POSITIONING TABLE**

(71) Applicant: **Techno Dynamics Inc.**, Shizuoka (JP)

(72) Inventor: **Toshinao Kato**, Shizuoka (JP)

(73) Assignee: **Techno Dynamics Inc.**, Shizuoka (JP)

(**) Term: **15 Years**

(21) Appl. No.: **29/596,835**

(22) Filed: **Mar. 10, 2017**

(51) **LOC (11) Cl.** **15-09**

(52) **U.S. Cl.**
USPC **D15/141**; D15/138

(58) **Field of Classification Search**

USPC D15/138, 140, 141, 142, 143; 269/20,
269/70; 409/219

CPC B23Q 16/04; B23Q 35/02; H01J 37/20;
H01L 21/68; H02N 2/04; Y10T 74/1494

See application file for complete search history.

(56) **References Cited**

U.S. PATENT DOCUMENTS

2,880,632	A *	4/1959	Charlat	B23Q 1/621 269/70
3,143,791	A *	8/1964	Lanahan	H05K 13/0015 248/430
3,240,085	A *	3/1966	Eppler	B23Q 1/28 269/74
3,376,764	A *	4/1968	Schardt	B23Q 1/38 248/346.01
3,638,933	A *	2/1972	Burnette	B23Q 1/267 108/137
3,788,632	A *	1/1974	Lukas	B23Q 16/04 269/20
4,013,280	A *	3/1977	Chitayat	B23Q 1/40 248/913
4,378,709	A *	4/1983	Chitayat	F16H 19/025 108/143

4,392,642 A * 7/1983 Chitayat B23Q 1/385
250/442.11

4,505,464 A * 3/1985 Chitayat B23Q 1/015
269/21

4,560,911 A * 12/1985 Chitayat H02K 41/035
310/12.06

4,590,380 A * 5/1986 Tamaki H01J 37/20
250/442.11

(Continued)

Primary Examiner — Patricia A Palasik

(74) *Attorney, Agent, or Firm* — Eric J. Sosenko;
Jonathan P. O'Brien; Honigman Miller Schwartz and
Cohn LLP

(57) **CLAIM**

The ornamental design for a positioning table, as shown and described.

DESCRIPTION

FIG. 1 is a top-quartering perspective view of a positioning table;

FIG. 2 is a bottom-quartering perspective view of the positioning table seen in FIG. 1;

FIG. 3 is a front view of the positioning table seen in FIG. 1;

FIG. 4 is a rear view of the positioning table seen in FIG. 1;

FIG. 5 is a top view of the positioning table seen in FIG. 1;

FIG. 6 is a bottom view of the positioning table seen in FIG. 1;

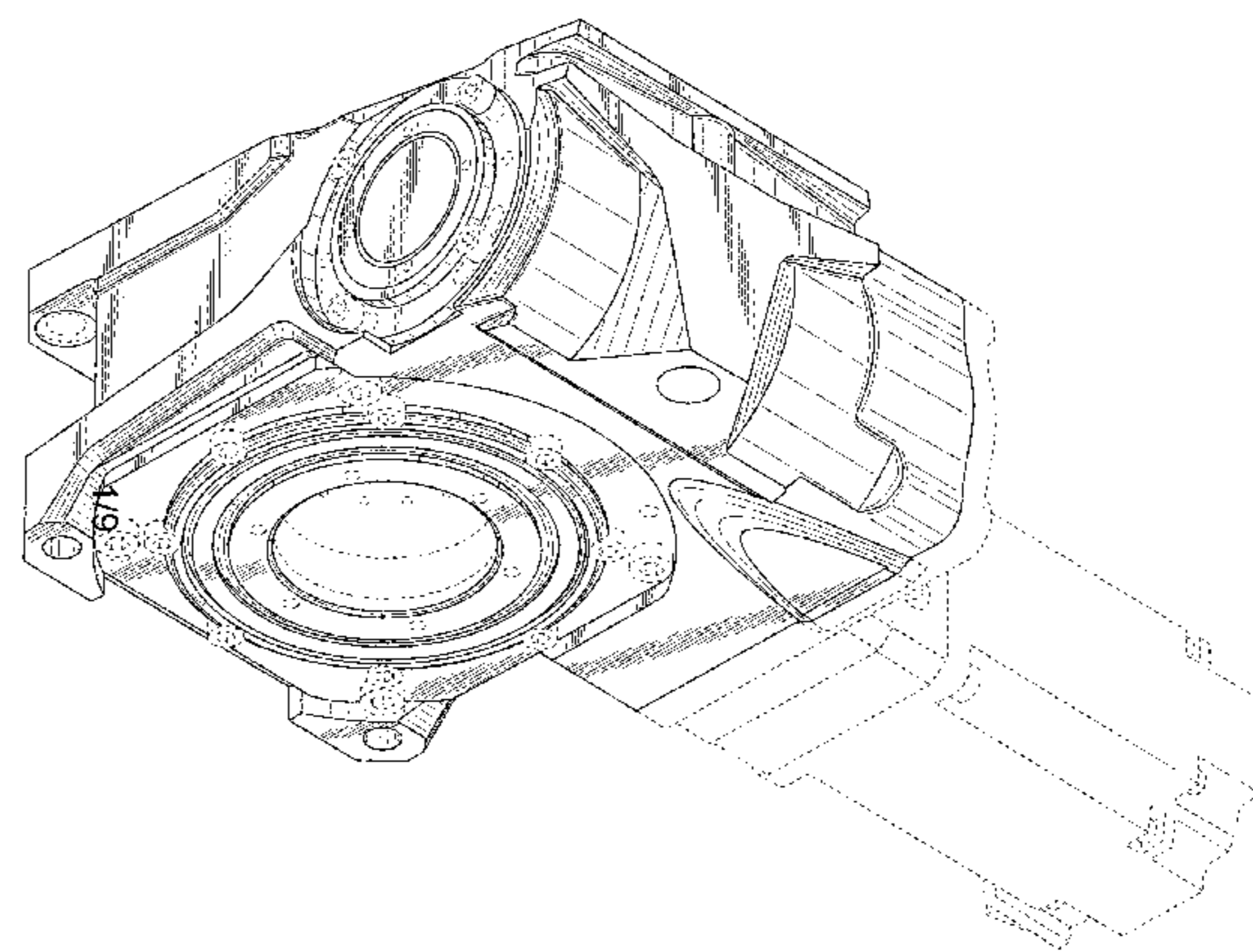
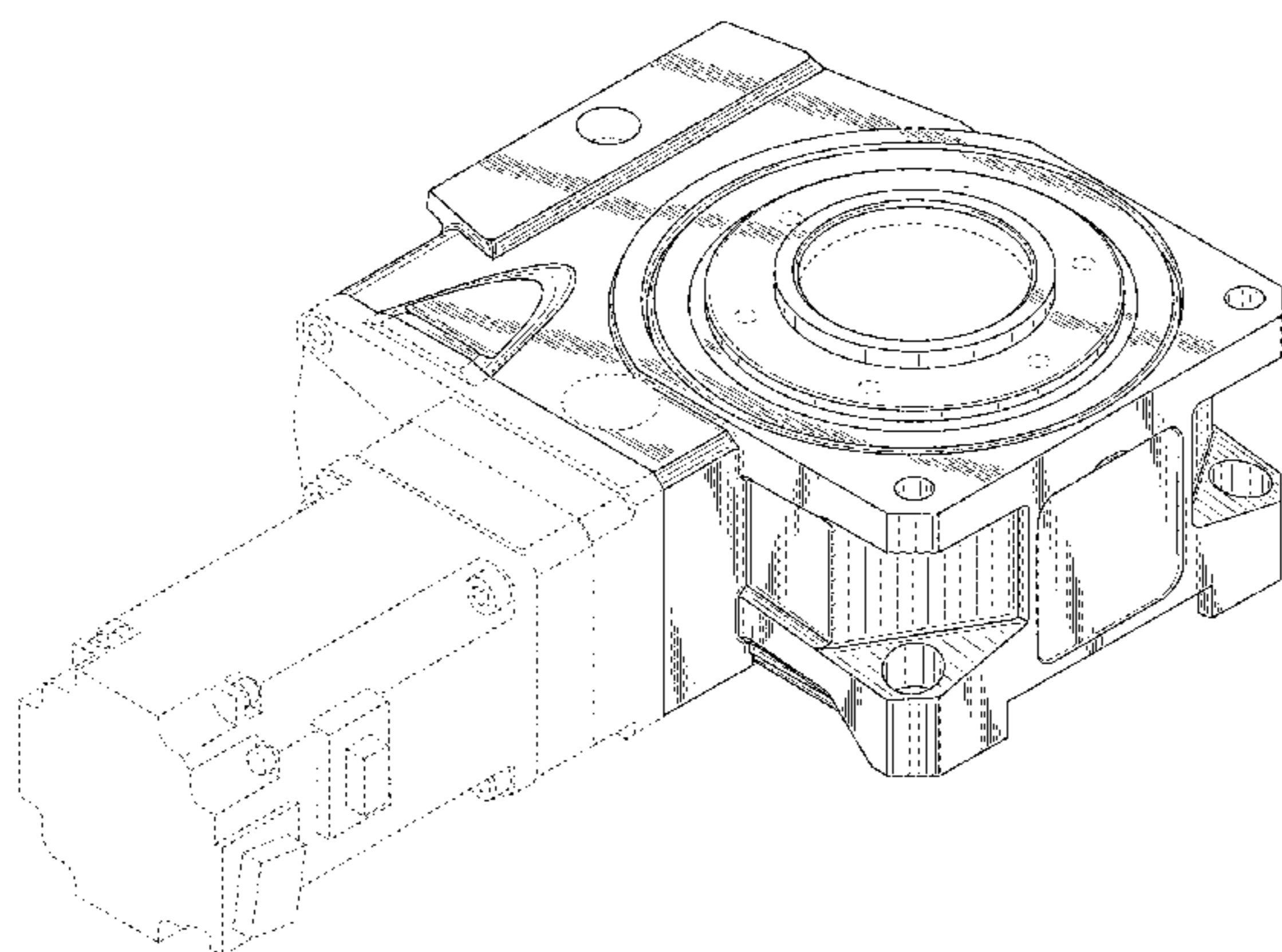
FIG. 7 is a right side view of the positioning table seen in FIG. 1;

FIG. 8 is a left side view of the positioning table seen in FIG. 1; and,

FIG. 9 is another top-quartering perspective view of the positioning table seen in FIG. 1, in an alternate condition of use.

The broken lines in the drawings depict unclaimed environmental subject matter.

1 Claim, 9 Drawing Sheets



(56)

References Cited

U.S. PATENT DOCUMENTS

4,610,442 A * 9/1986 Oku B23Q 1/4866
269/73
4,763,886 A * 8/1988 Takei B23Q 1/621
269/73
5,013,016 A * 5/1991 Kato B23Q 1/25
269/73
5,123,174 A * 6/1992 Noguchi G01B 5/0004
248/913
5,217,214 A * 6/1993 Takei G12B 5/00
269/73
D367,069 S * 2/1996 Thom, Jr. D15/143
D780,238 S * 2/2017 Kato D15/138

* cited by examiner

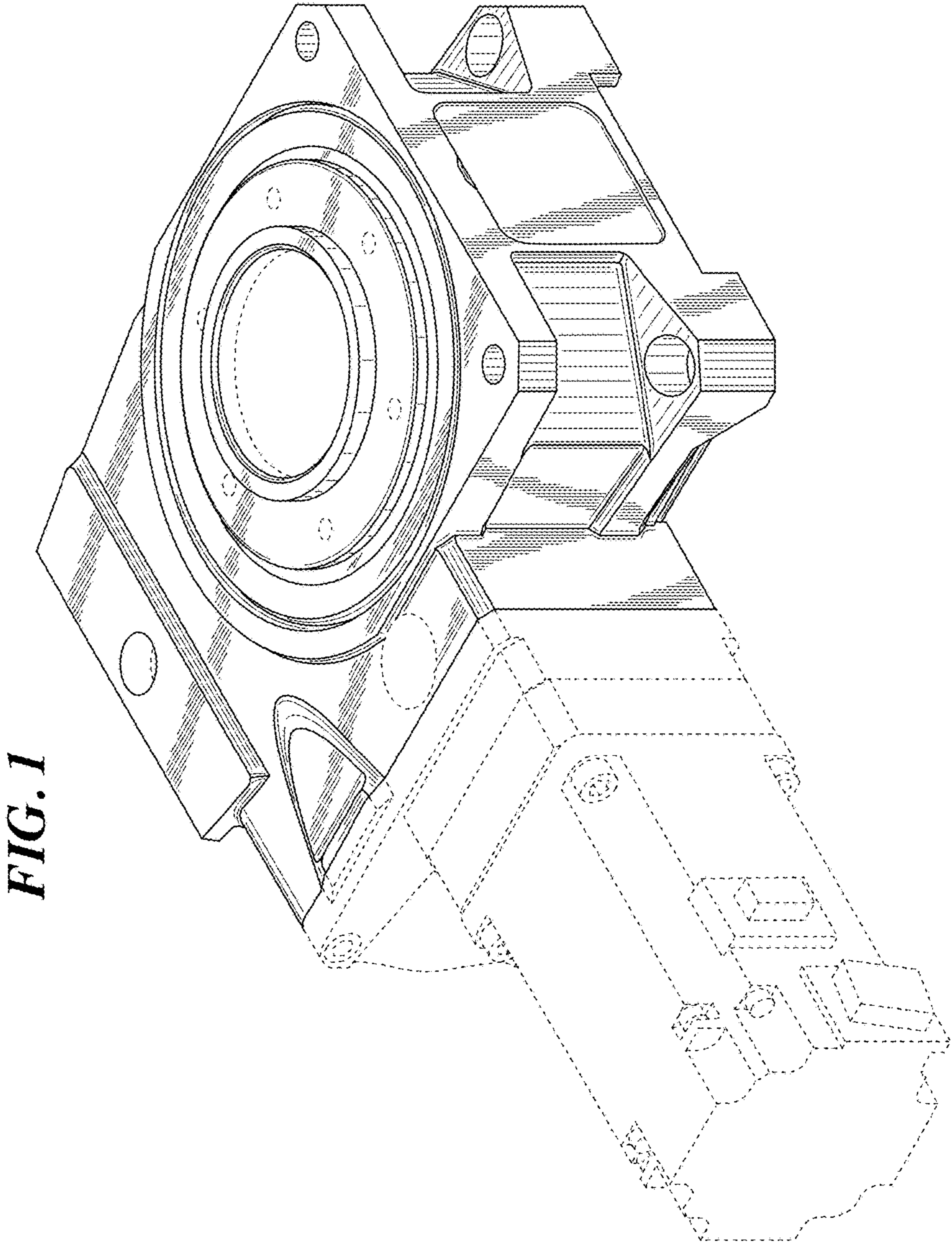


FIG. 1

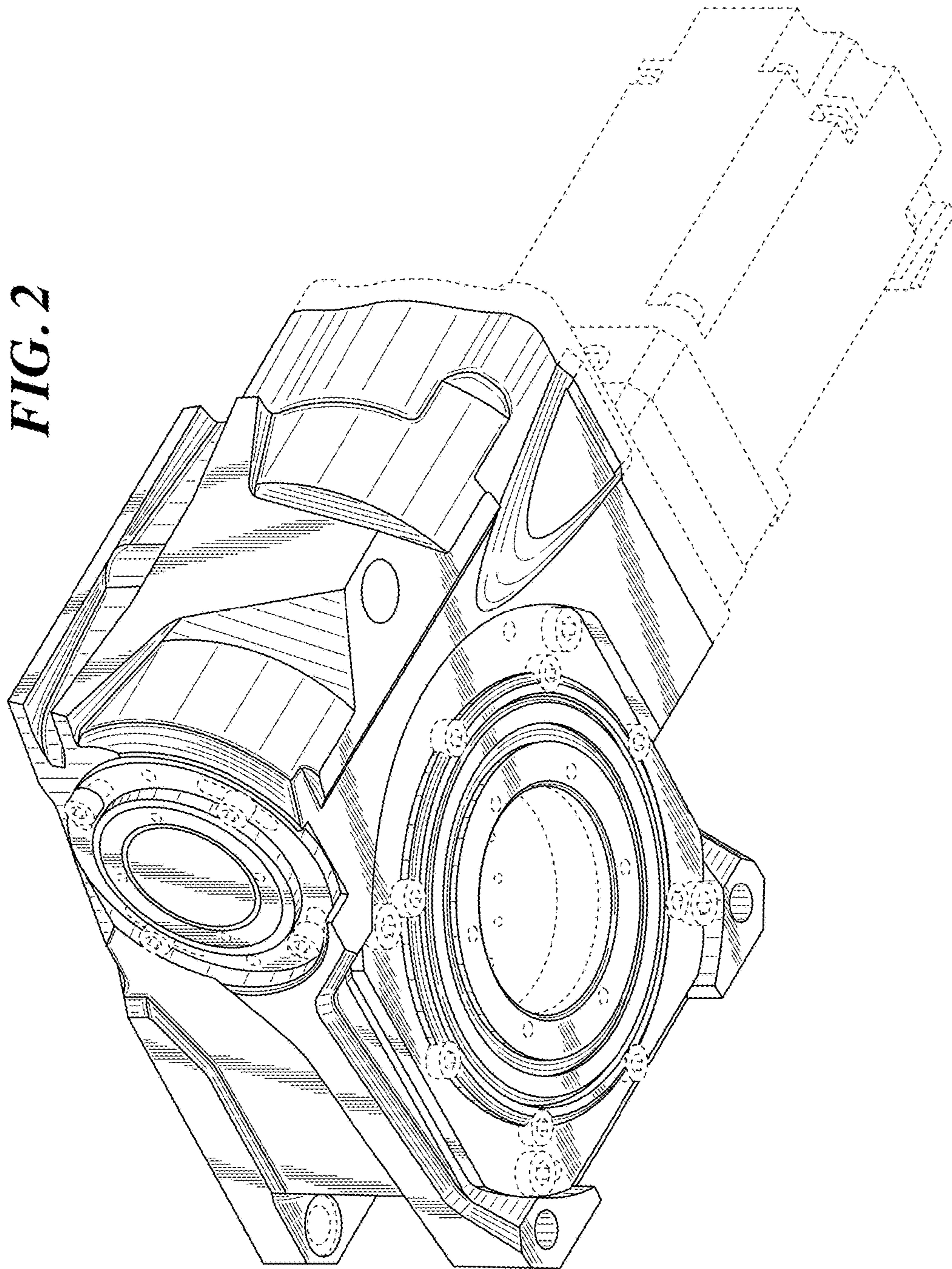


FIG. 3

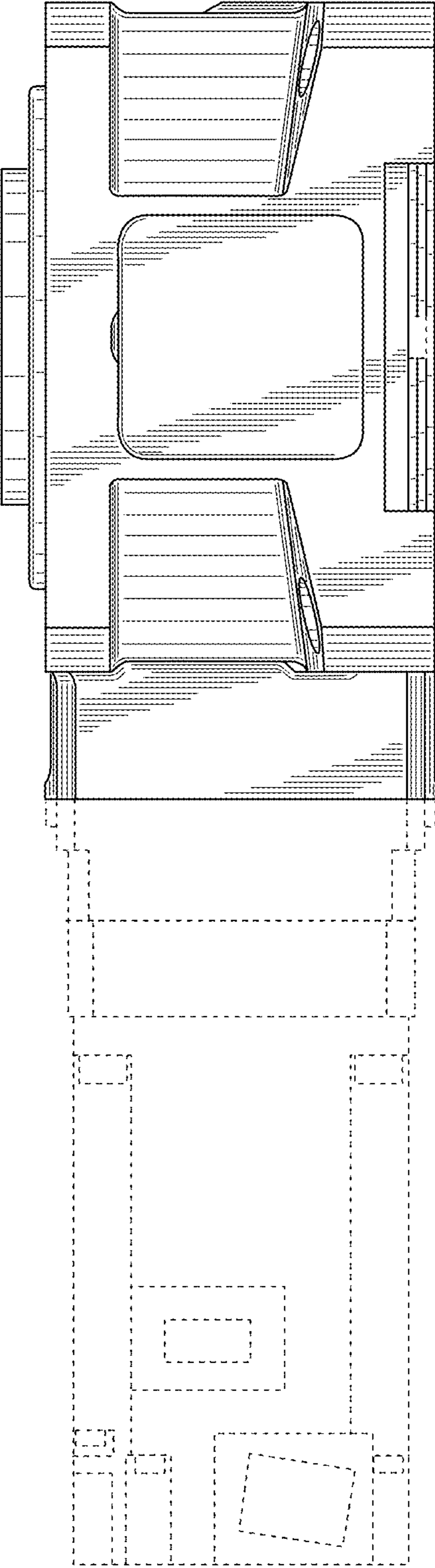


FIG. 4

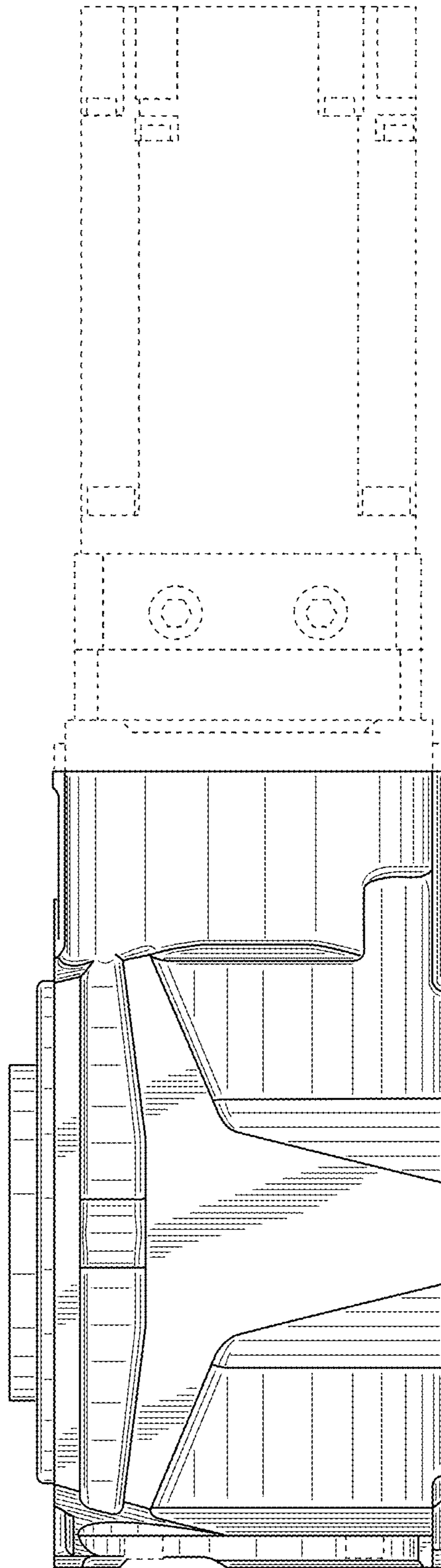


FIG. 5

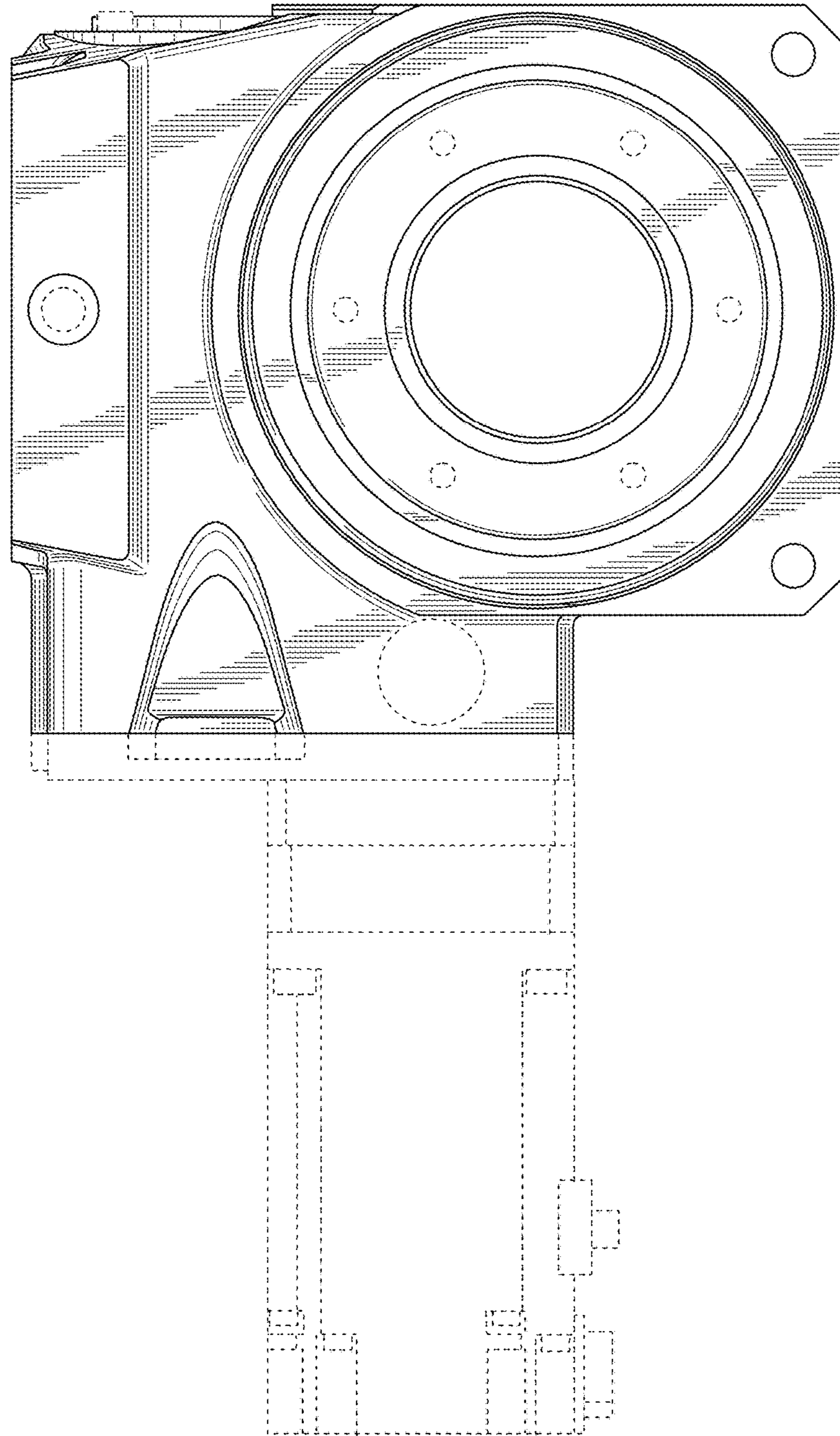


FIG. 6

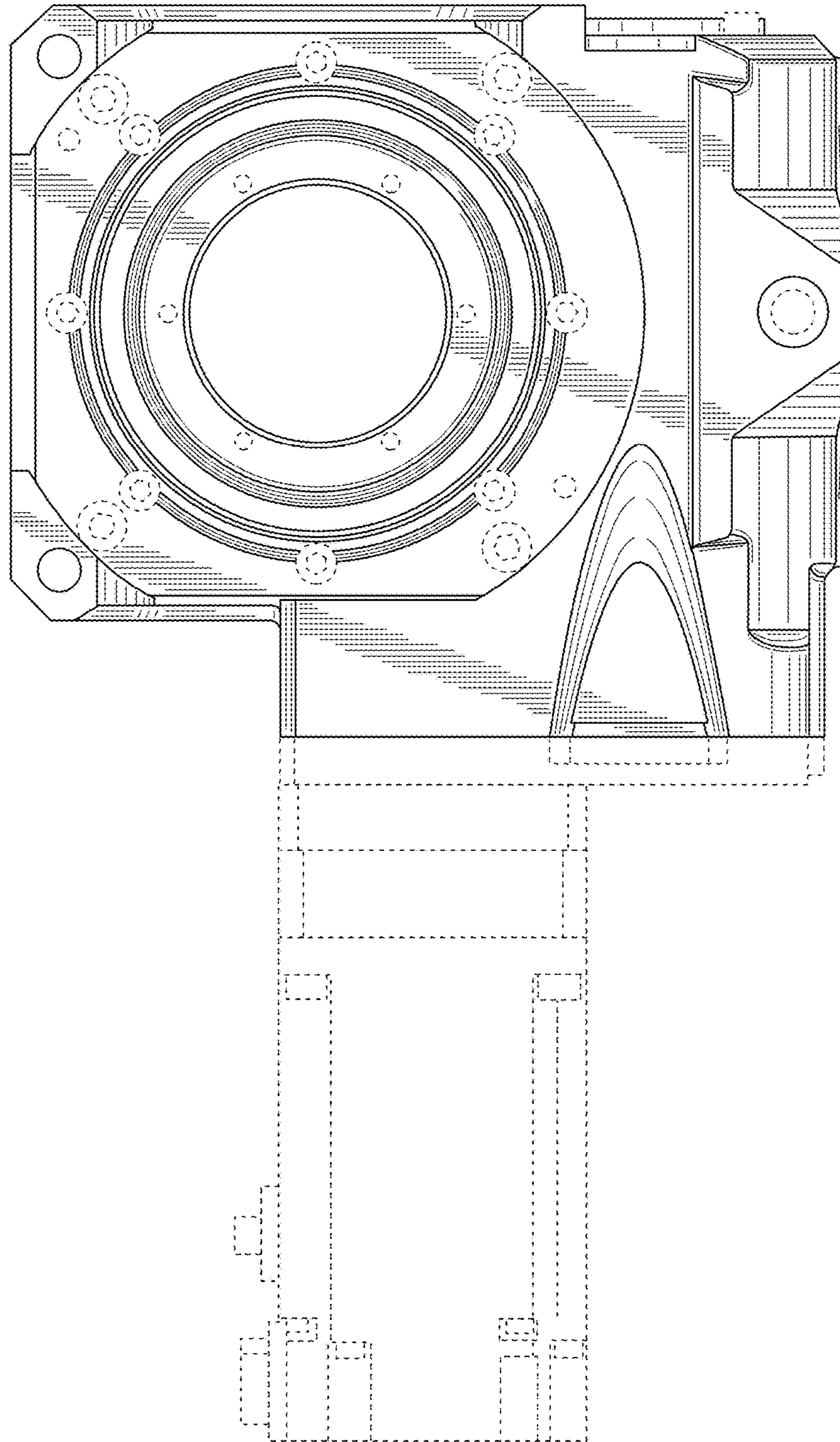


FIG. 7

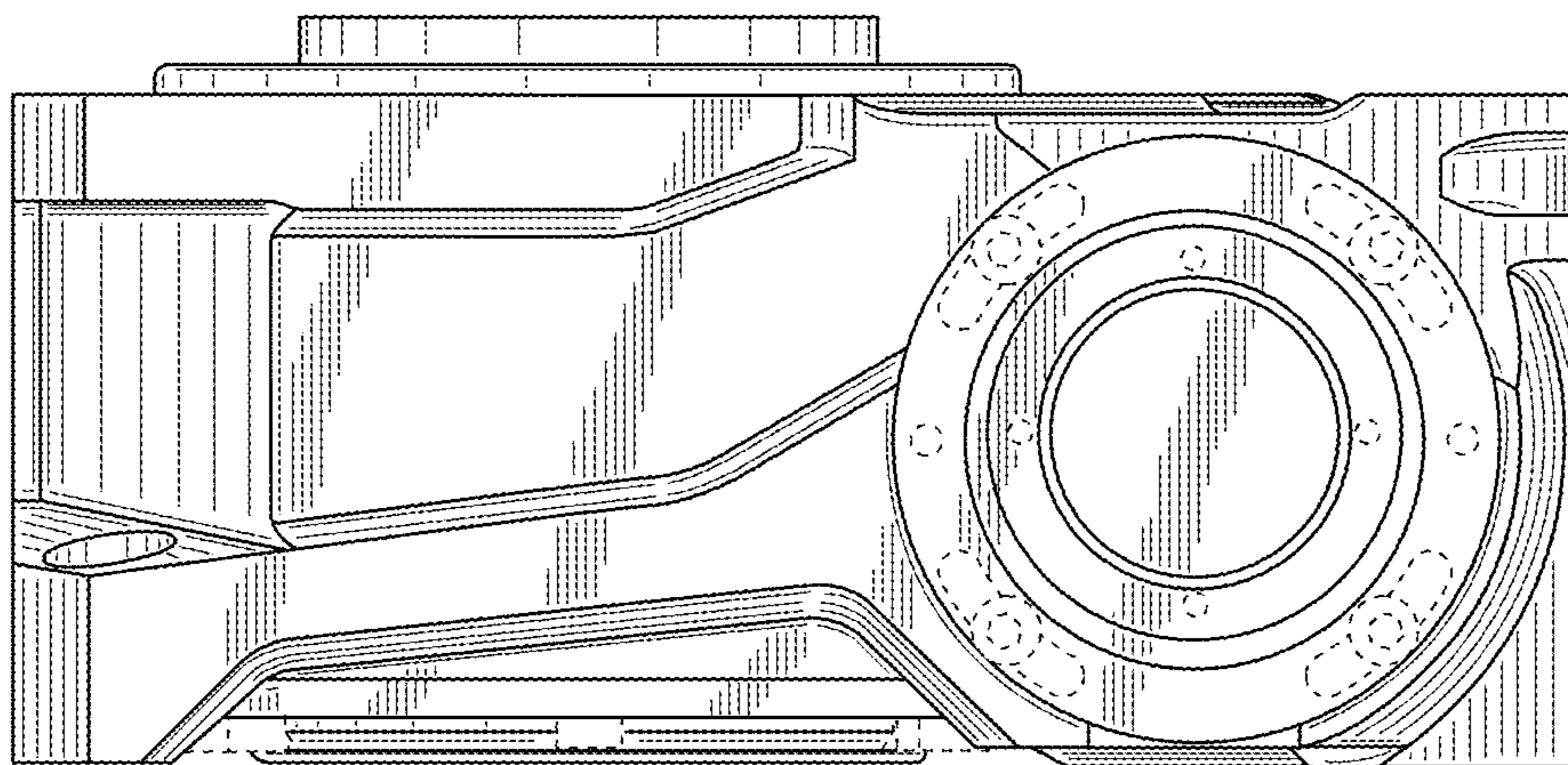


FIG. 8

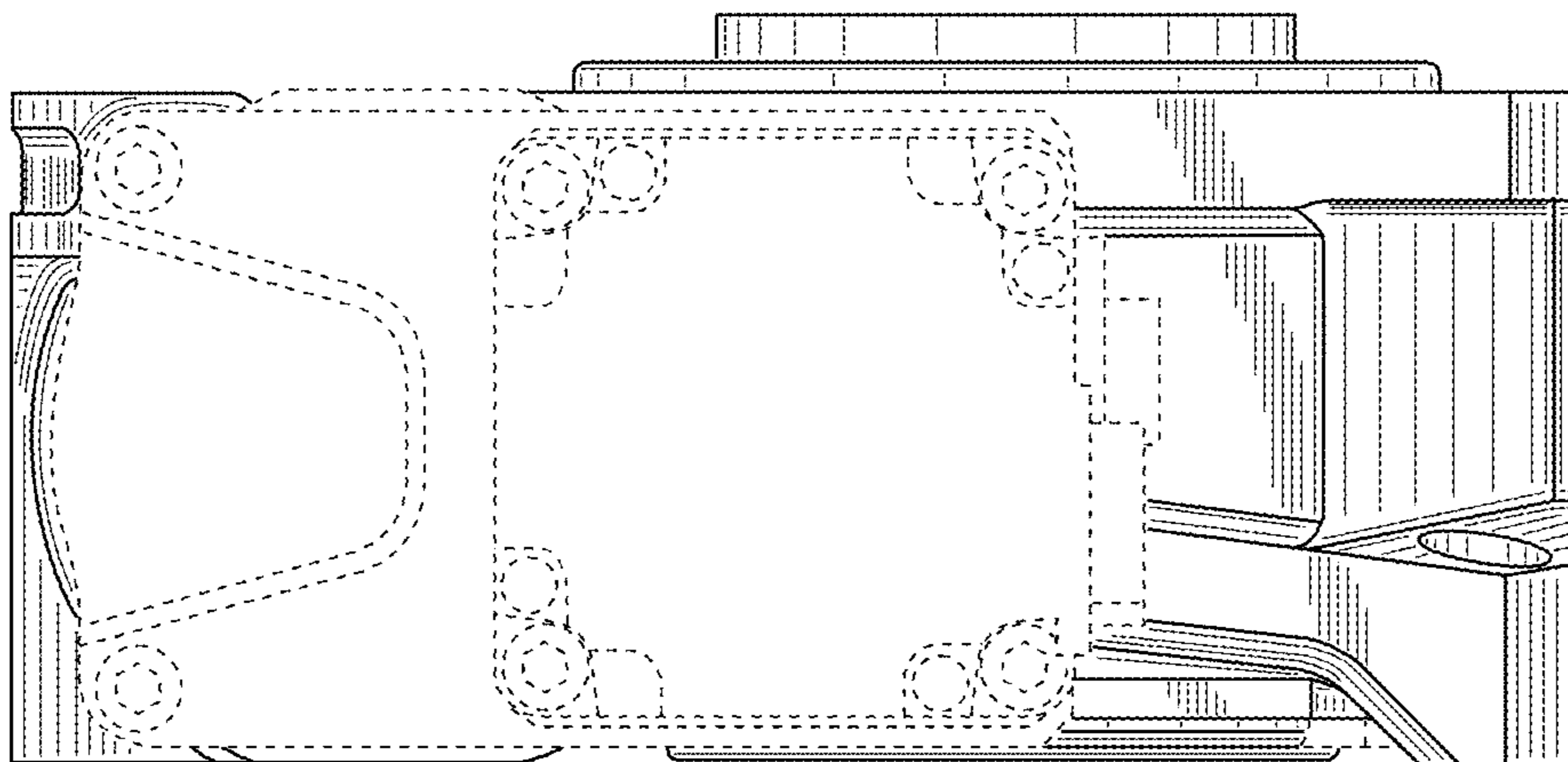


FIG. 9

