



US00D815165S

(12) **United States Design Patent**
Morisaki et al.

(10) **Patent No.:** **US D815,165 S**
(45) **Date of Patent:** **** Apr. 10, 2018**

(54) **CUTTING INSERT**

Y10T 407/23; Y10T 407/235; Y10T
407/1924

See application file for complete search history.

(71) Applicant: **SUMITOMO ELECTRIC**
HARDMETAL CORP., Itami-shi (JP)

(56) **References Cited**

(72) Inventors: **Yuta Morisaki**, Itami (JP); **Yasuyuki**
Kanada, Itami (JP); **Tomoyuki**
Fukuyama, Itami (JP); **Katsuya**
Nakakihara, Itami (JP)

U.S. PATENT DOCUMENTS

5,207,538 A * 5/1993 Satran B23C 5/2213
407/113
6,725,758 B2 * 4/2004 MacLennan B23D 61/04
83/839
D588,616 S * 3/2009 Tanaka D15/139
7,713,006 B2 * 5/2010 MacLennan B23C 5/207
407/113

(73) Assignee: **SUMITOMO ELECTRIC**
HARDMETAL CORP., Itami-shi (JP)

(Continued)

(**) Term: **15 Years**

Primary Examiner — Patricia A Palasik

(74) *Attorney, Agent, or Firm* — Venable LLP; Michael
A. Sartori; Miguel A. Lopez

(21) Appl. No.: **29/596,249**

(57) **CLAIM**

The ornamental design for a cutting insert, as shown and
described.

(22) Filed: **Mar. 7, 2017**

(30) **Foreign Application Priority Data**

DESCRIPTION

Sep. 9, 2016 (JP) 2016-019604

(51) **LOC (11) Cl.** **15-09**

(52) **U.S. Cl.**
USPC **D15/139**

(58) **Field of Classification Search**
USPC D8/20, 70; D15/126, 131, 138, 139, 140
CPC A01G 23/091; B02C 18/182; B23B 27/14;
B23B 27/22; B23B 27/045; B23B 27/141;
B23B 27/143; B23B 2200/321; B23C
5/202; B23C 5/207; B23C 5/2221; B23C
2200/085; B23C 2200/125; B23C
2200/286; B23C 2200/0494; B23C
2210/168; B27B 33/08; B27G 13/10;

FIG. 1 is a front view of a cutting insert
FIG. 2 is a rear view thereof;
FIG. 3 is a top view thereof;
FIG. 4 is a bottom view thereof;
FIG. 5 is a right side view thereof;
FIG. 6 is a left side view thereof;
FIG. 7 is a first perspective view thereof;
FIG. 8 is a second perspective view thereof;
FIG. 9 is a cross sectional view taken along line 9-9 of FIG.
3;
FIG. 10 is a cross sectional view taken along line 10-10 of
FIG. 3;
FIG. 11 is a cross sectional view taken along line 11-11 of
FIG. 3;
FIG. 12 is a cross sectional view taken along line 12-12 of
FIG. 3;
FIG. 13 is a cross sectional view taken along line 13-13 of
FIG. 3;

(Continued)

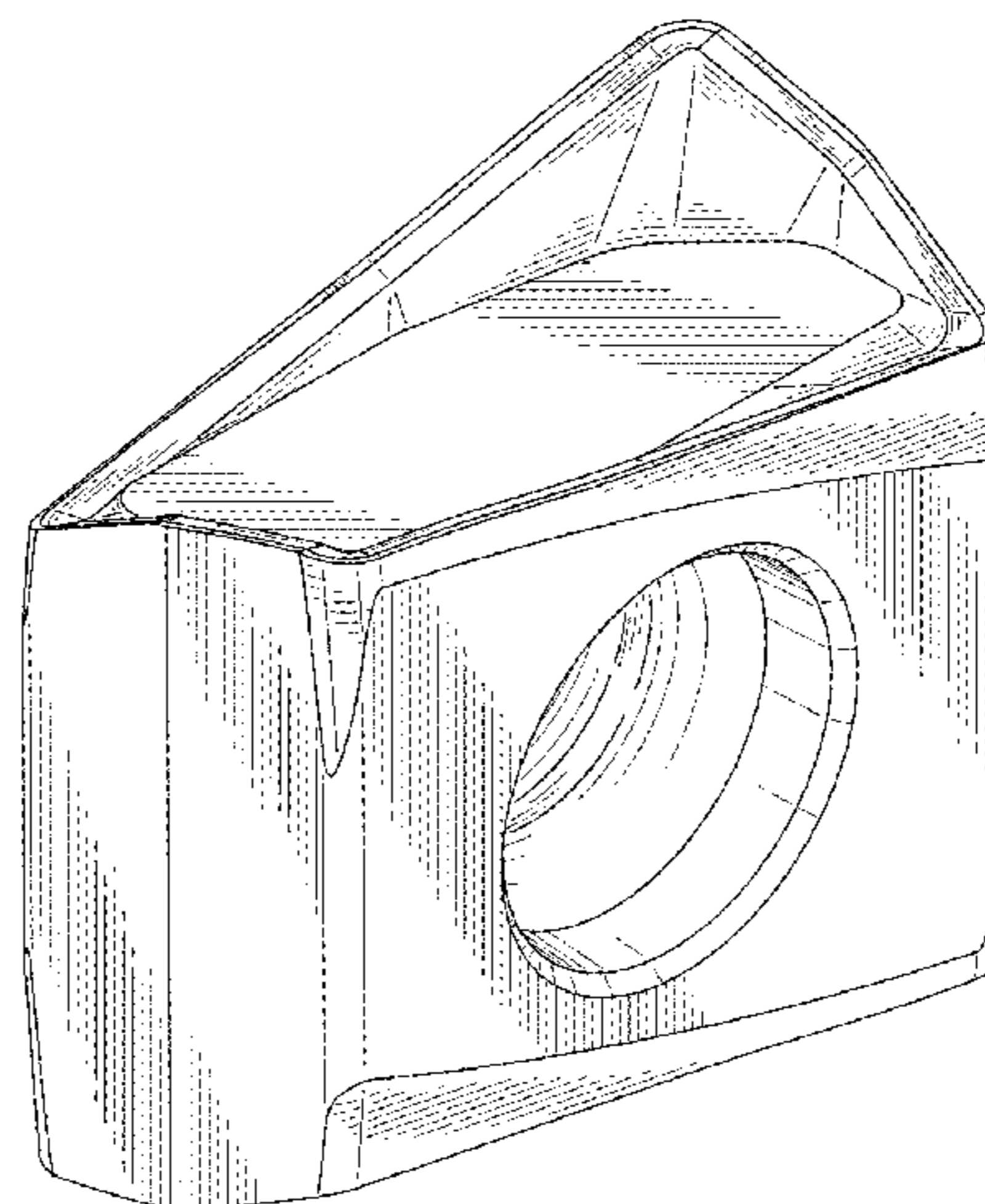
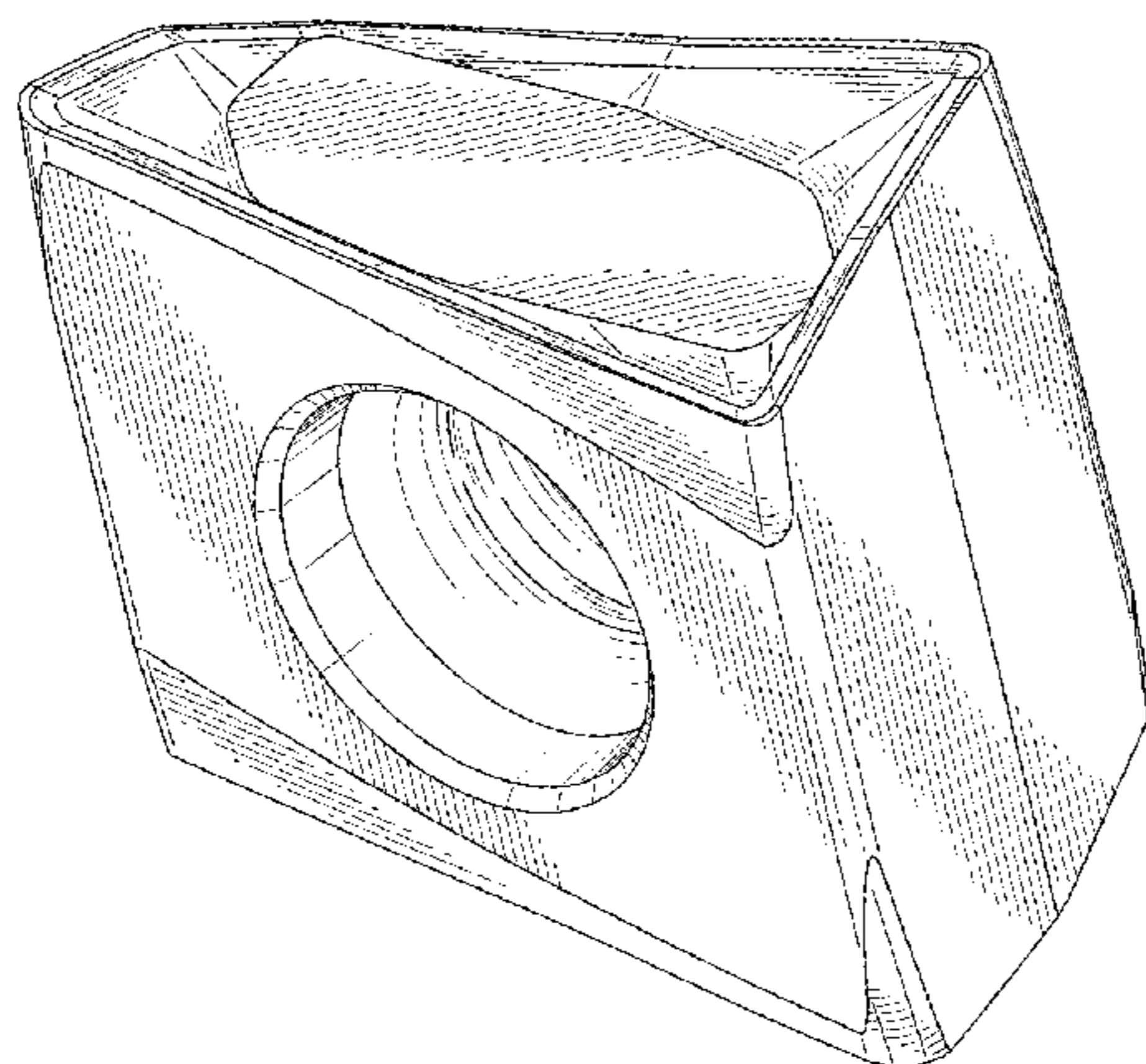


FIG. 14 is a cross sectional view taken along line 14-14 of FIG. 1; and, FIG. 15 is a referential perspective view showing the state in use of the cutting insert attached to the holder by a fixing member, for cutting a workpiece. The broken lines in the referential perspective view depict unclaimed environmental subject matter.

1 Claim, 8 Drawing Sheets

(56)

References Cited

U.S. PATENT DOCUMENTS

D637,214	S	*	5/2011	Saito	D15/139
D638,041	S	*	5/2011	Saito	D15/139
D748,703	S	*	2/2016	Nam	D15/139
D755,267	S	*	5/2016	Lee	D15/139
D772,318	S	*	11/2016	Nam	D15/139
D772,319	S	*	11/2016	Nam	D15/139
D772,963	S	*	11/2016	Nam	D15/139
D777,230	S	*	1/2017	Fang	D15/139
D778,330	S	*	2/2017	Fang	D15/139
2005/0214081	A1	*	9/2005	Satran	B23C 5/06 407/113

2011/0129309	A1	*	6/2011	Kovac	B23C 5/06 407/42
2011/0170963	A1	*	7/2011	Smilovici	B23C 5/06 407/42
2012/0009029	A1	*	1/2012	Saji	B23C 5/109 407/67
2012/0170986	A1	*	7/2012	Nam	B23C 5/06 407/114
2013/0115022	A1	*	5/2013	Ishi	B23C 5/109 409/132
2013/0121775	A1	*	5/2013	Dudzinsky	B23C 5/2221 407/42
2013/0336735	A1	*	12/2013	Nam	B23C 5/06 407/113
2014/0298967	A1	*	10/2014	Ishi	B23C 5/109 83/13
2015/0117969	A1	*	4/2015	Brunetto	B23C 5/207 407/42
2015/0139745	A1	*	5/2015	Lee	B23C 5/06 407/113
2015/0336187	A1	*	11/2015	Choi	B23C 5/06 407/48
2016/0023285	A1	*	1/2016	Saji	B23C 5/207 407/33
2017/0014919	A1	*	1/2017	Kister	B23C 5/06
2017/0157685	A1	*	6/2017	Mao	B23C 5/2213
2017/0197259	A1	*	7/2017	Kumoi	B23C 5/207

* cited by examiner

FIG.1

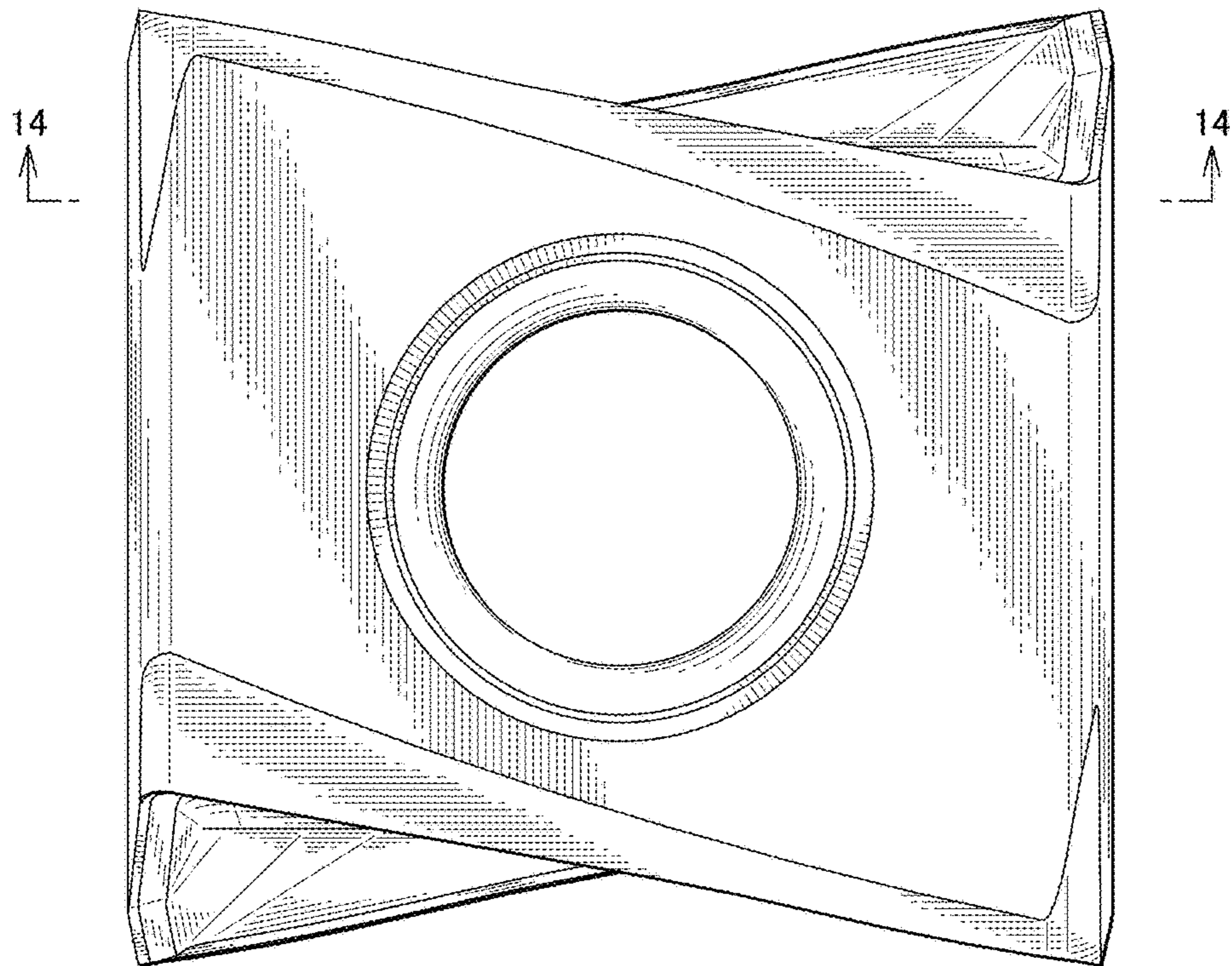


FIG.2

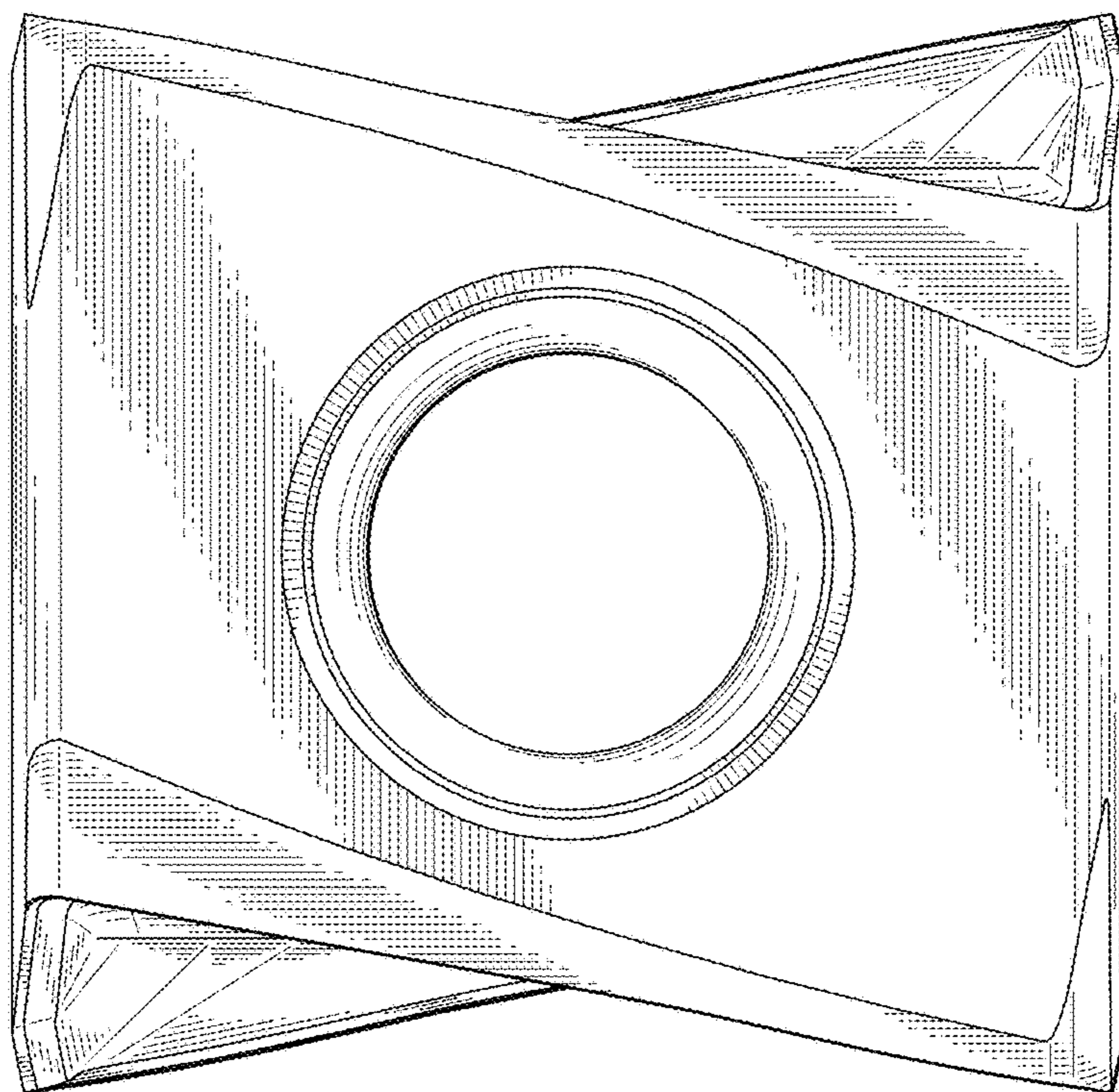


FIG.3

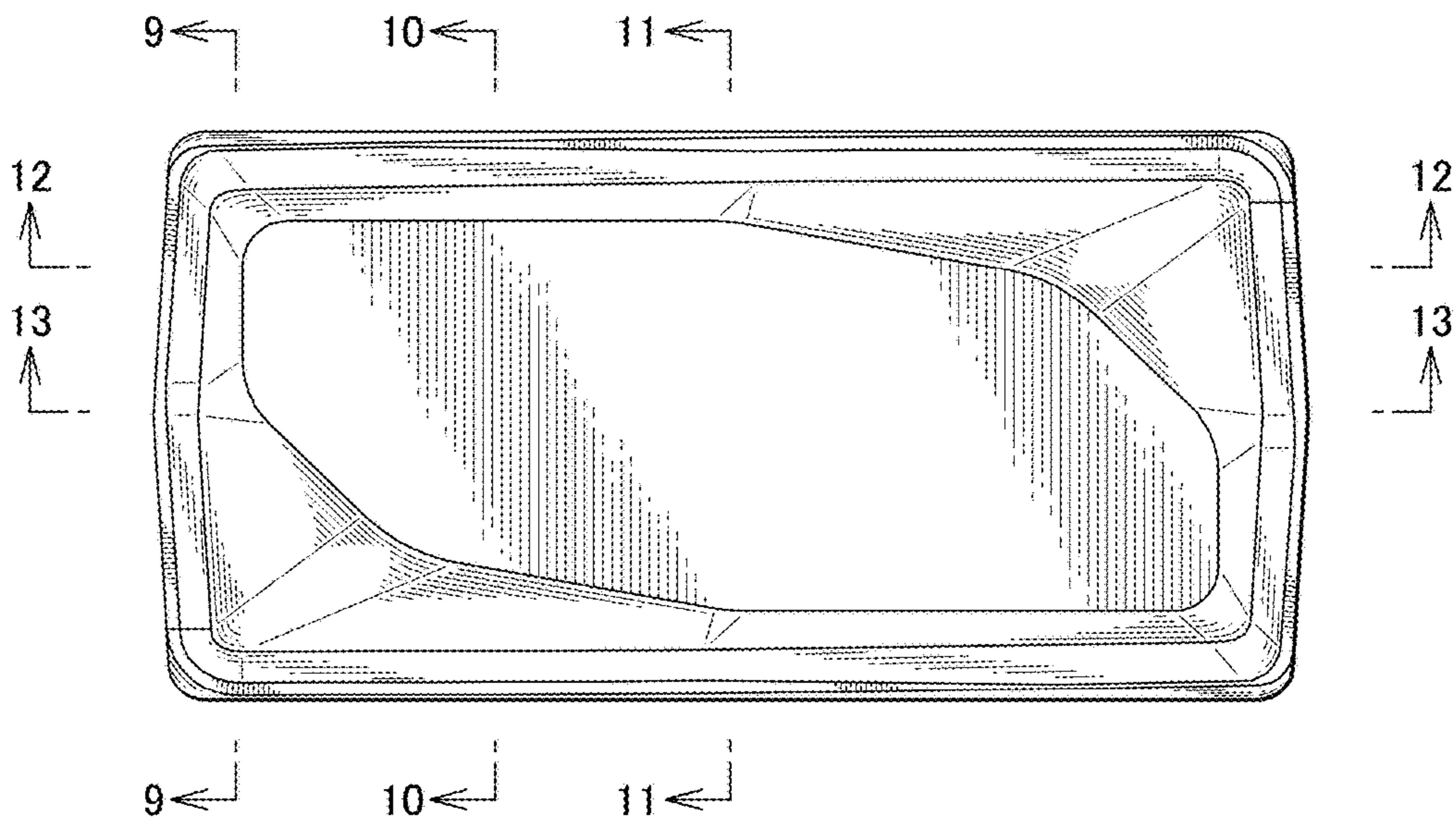


FIG.4

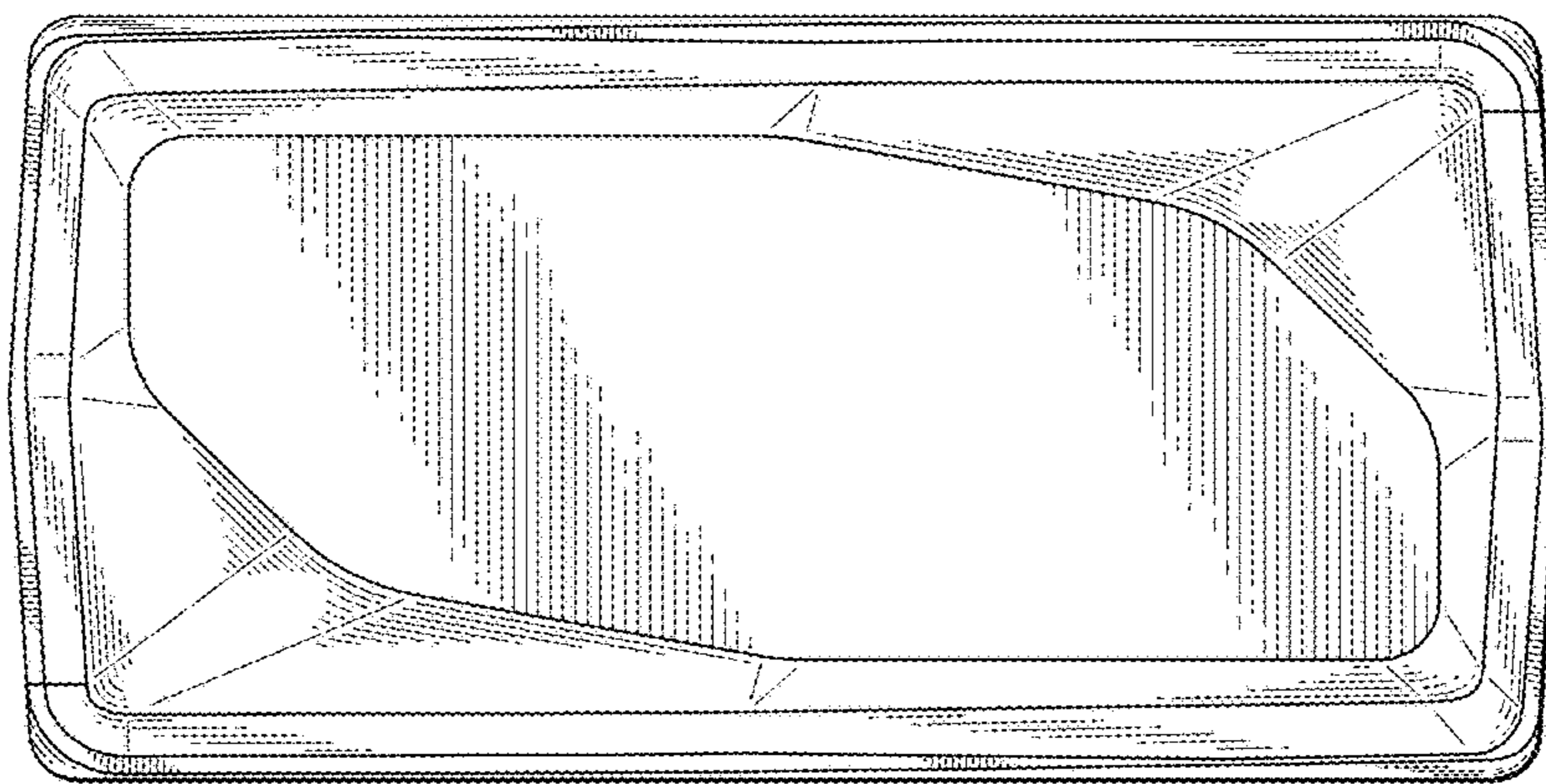


FIG.5

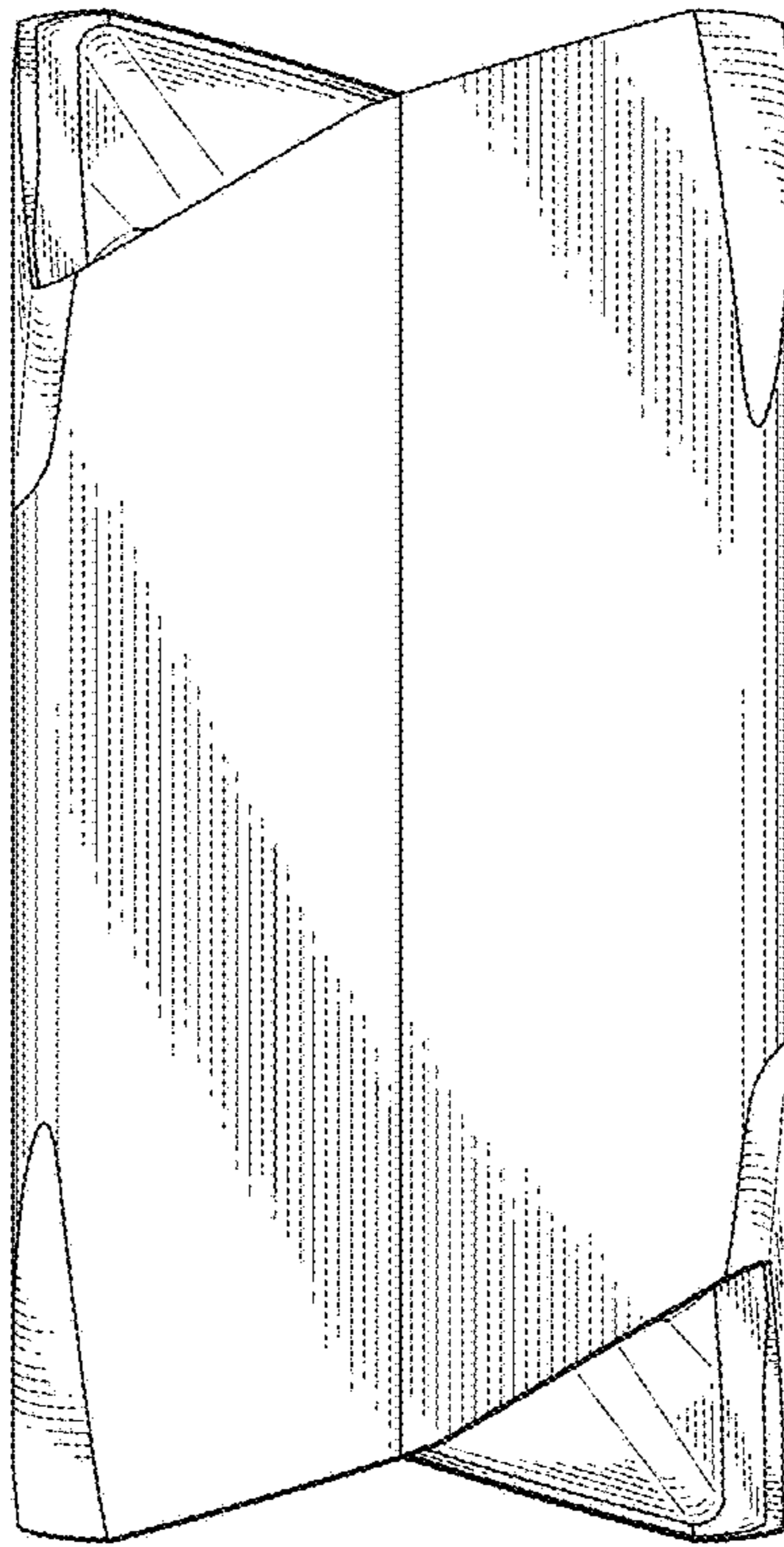


FIG.6

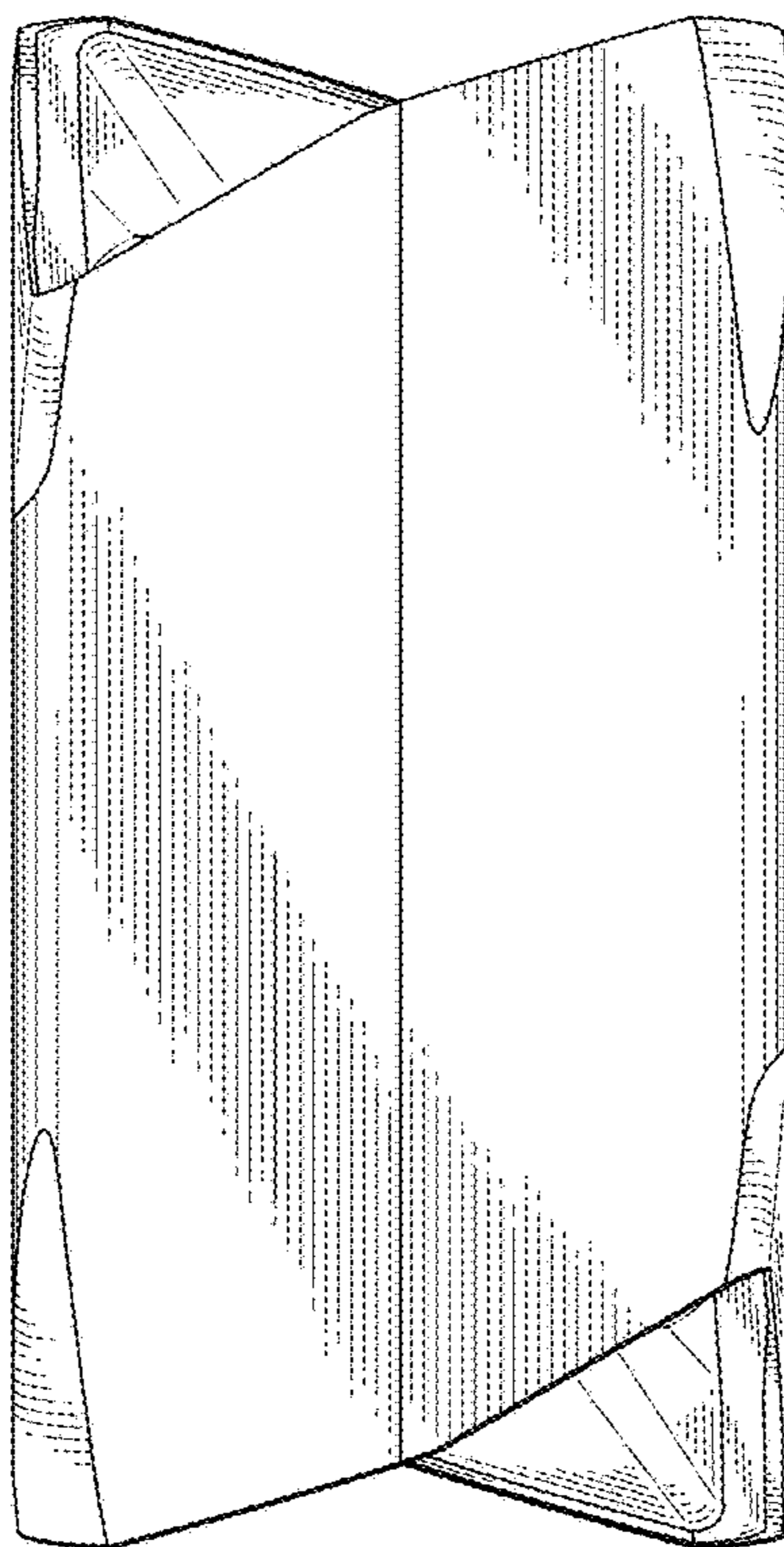


FIG.7

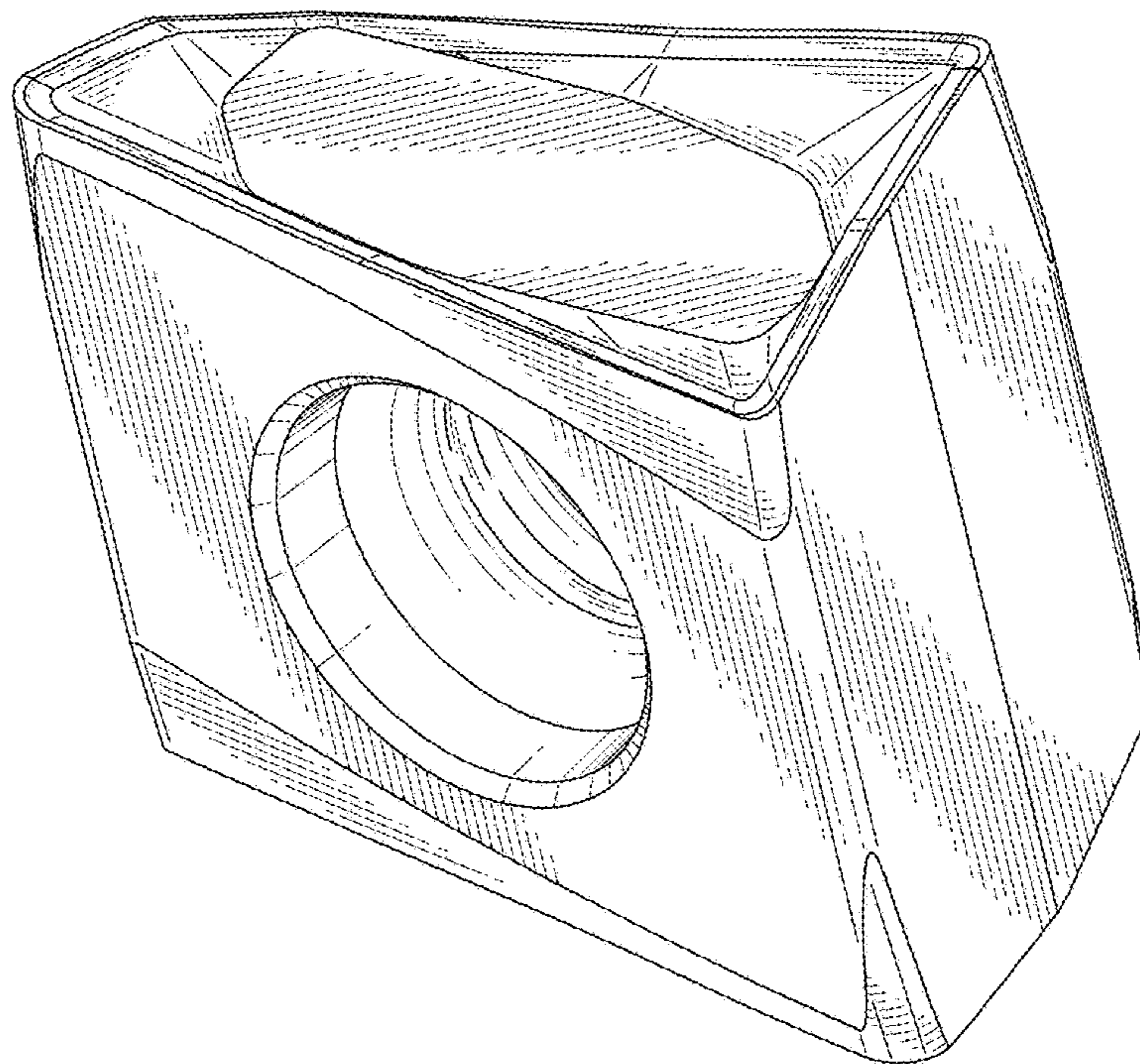


FIG.8

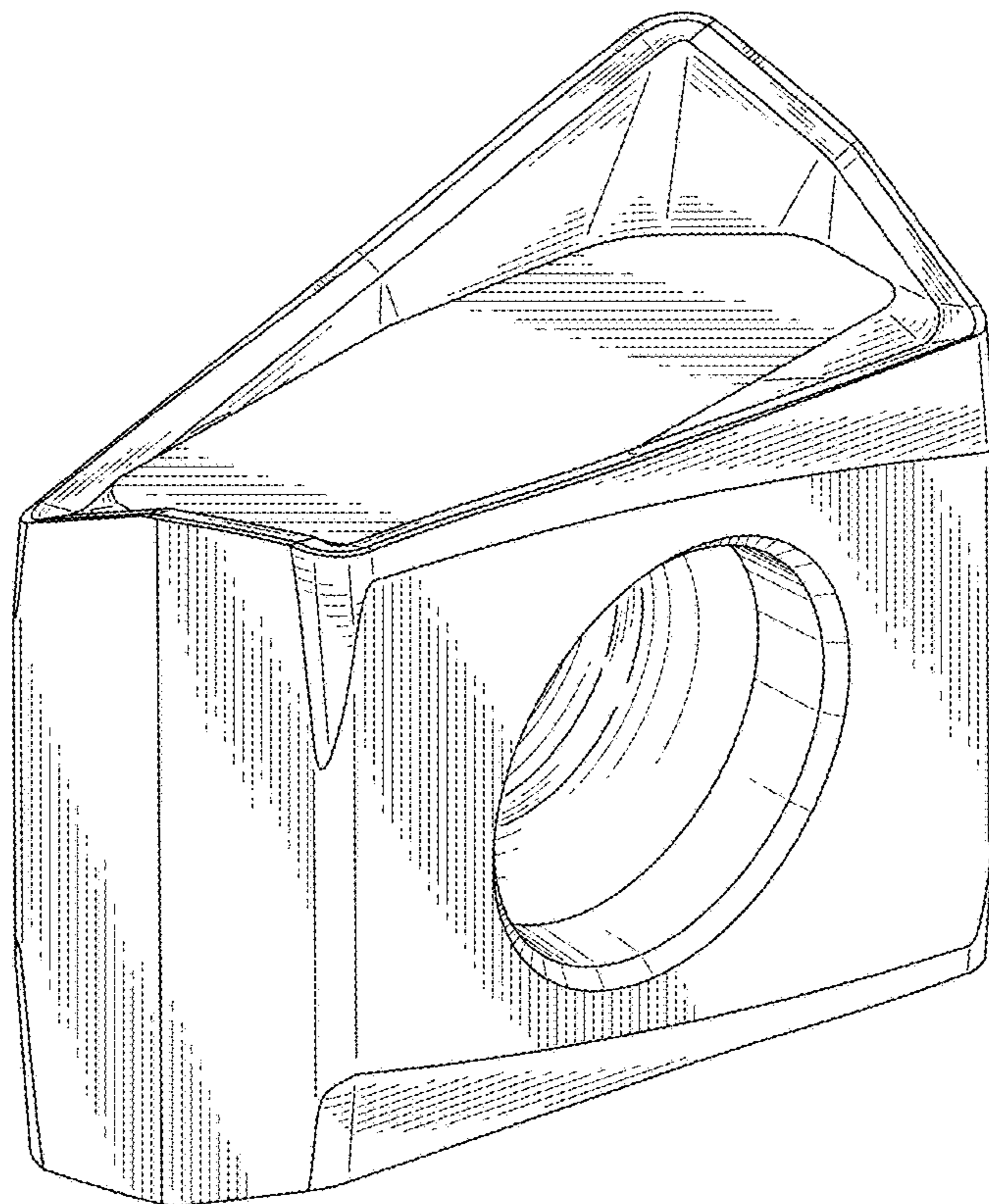


FIG.9

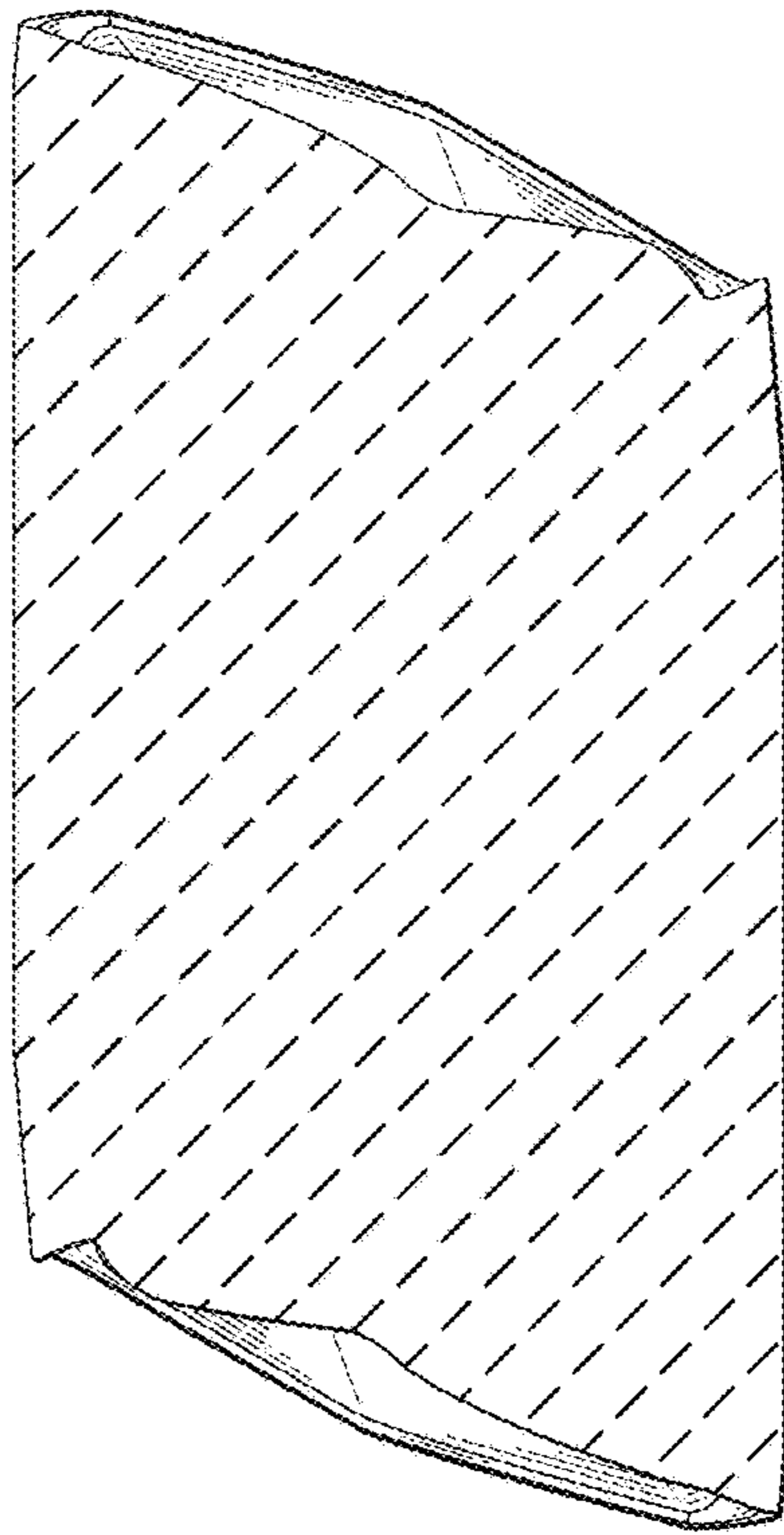


FIG.10

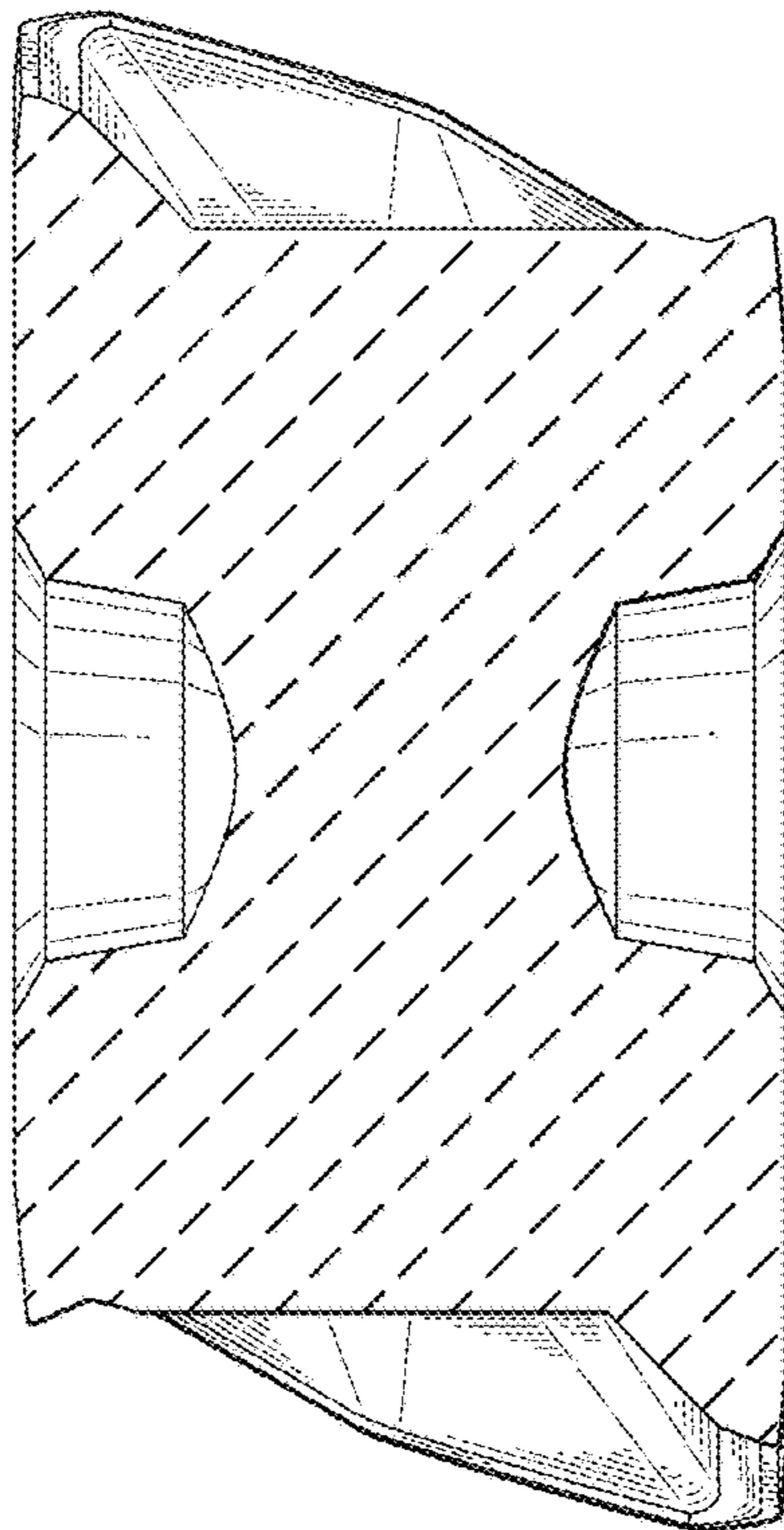


FIG.11

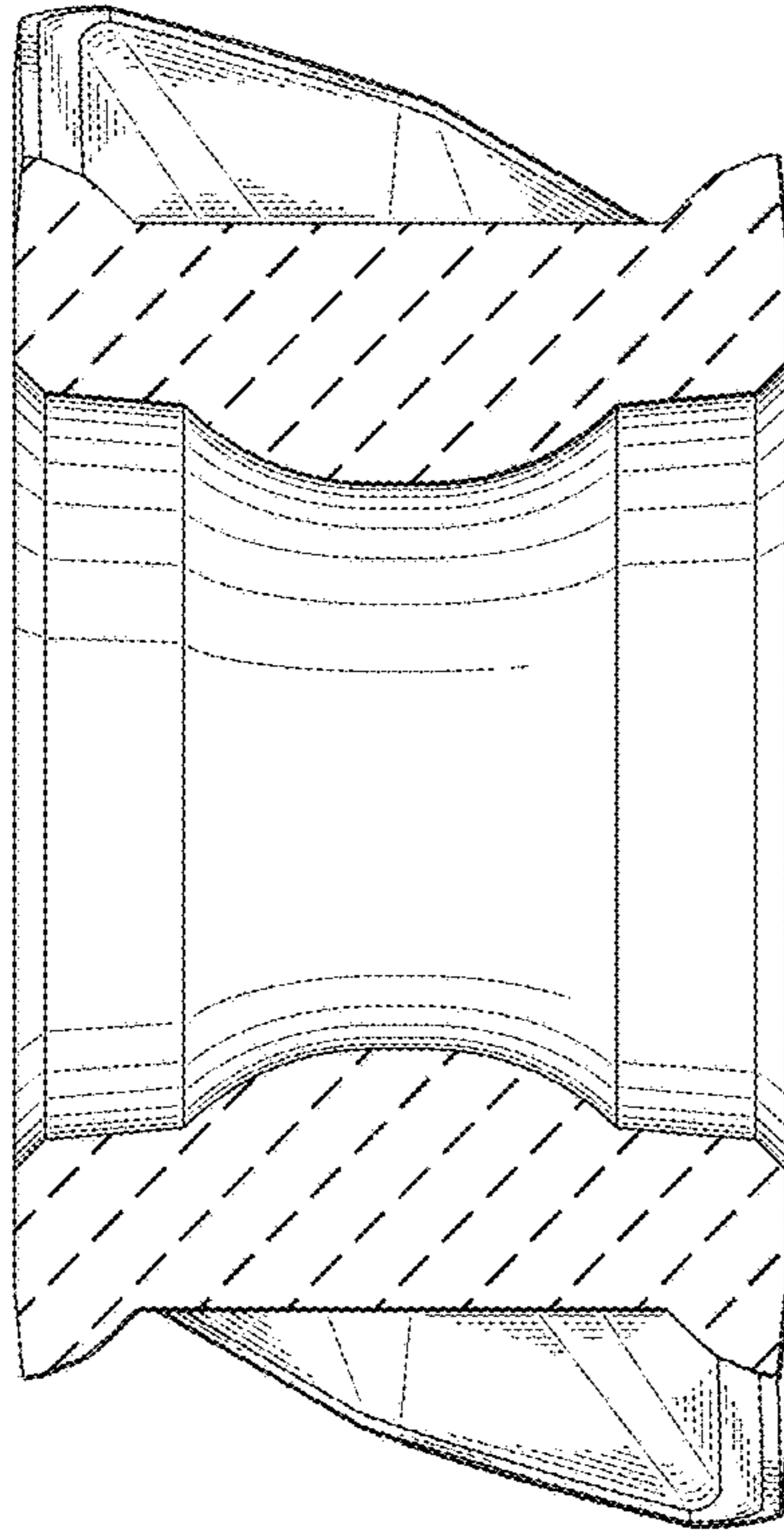


FIG.12

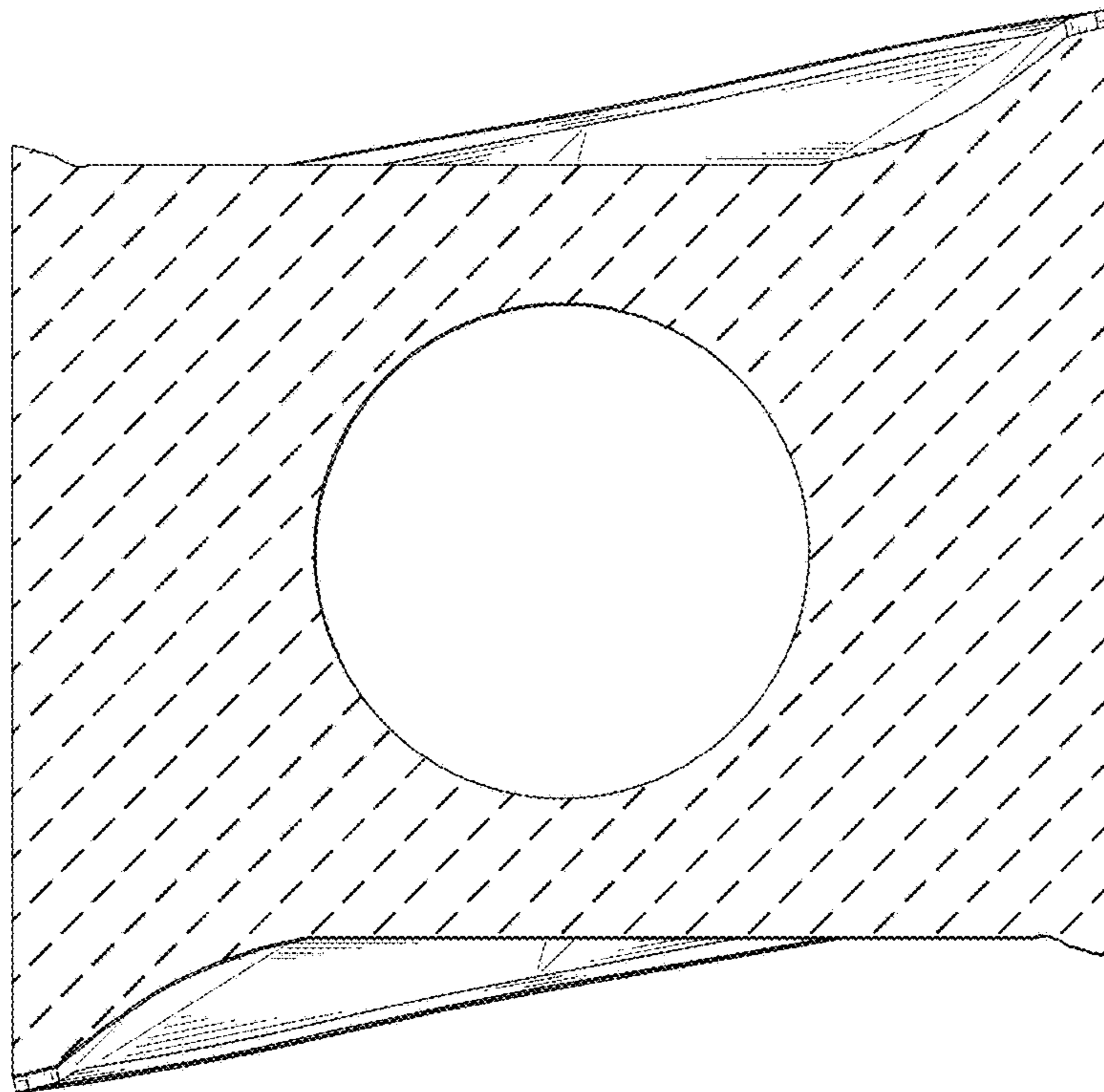


FIG.13

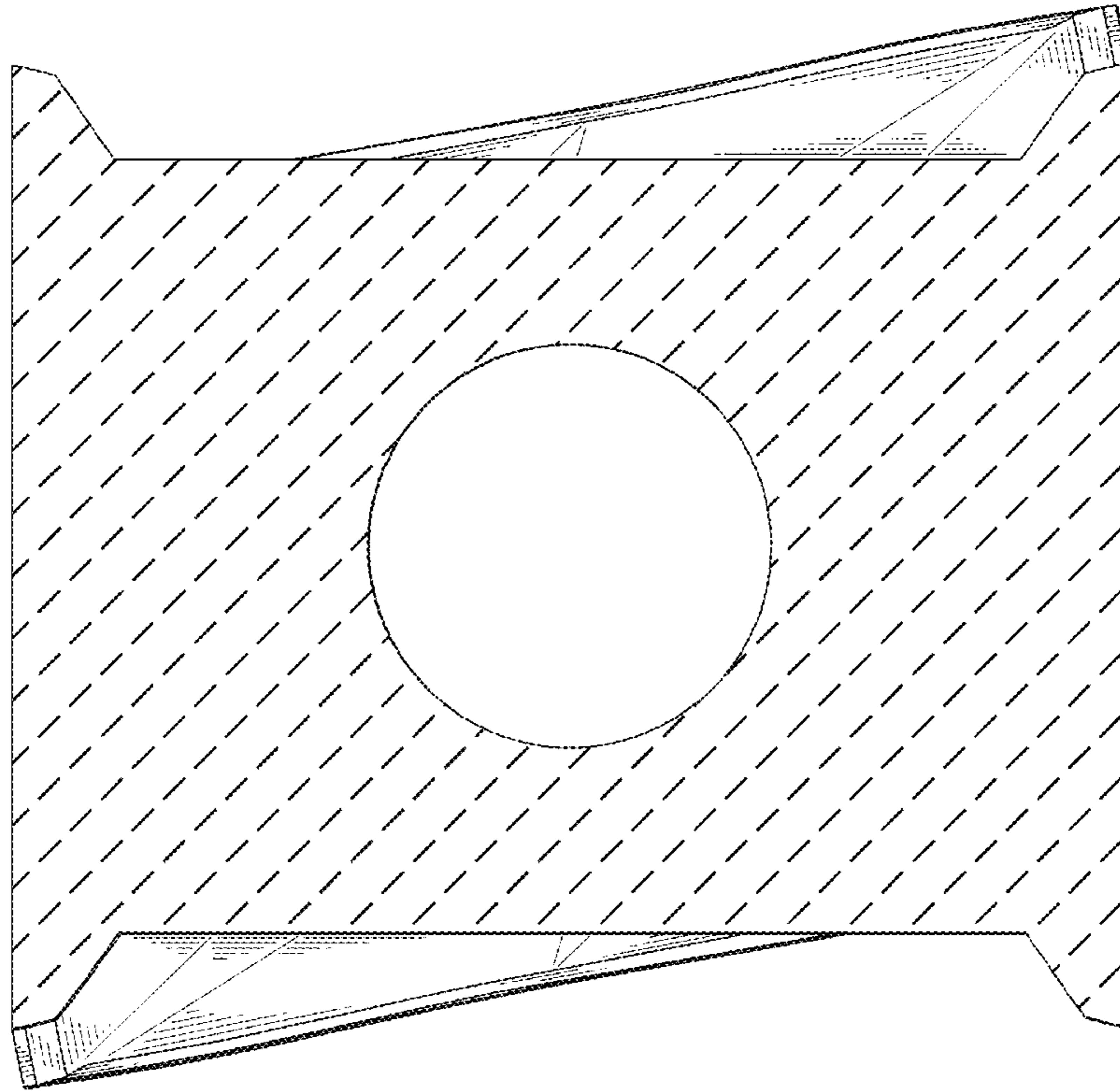


FIG.14

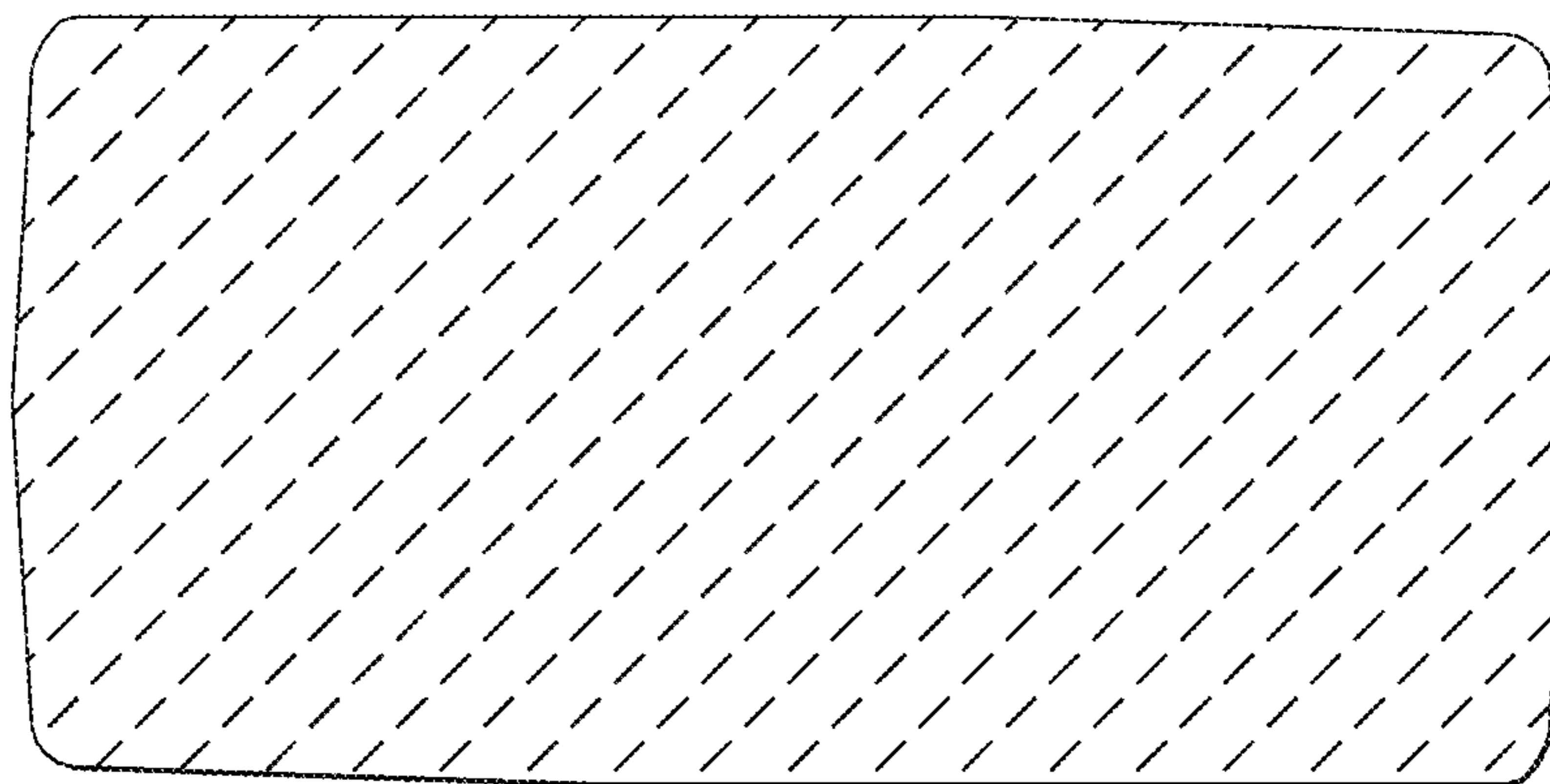


FIG.15

