



US00D815164S

(12) **United States Design Patent** (10) **Patent No.:** **US D815,164 S**
Schleicher et al. (45) **Date of Patent:** **** Apr. 10, 2018**

(54) **CUTTING INSERT WITH CORNER RADII CUTTING SURFACES**

(71) Applicant: **Kennametal Inc.**, Latrobe, PA (US)

(72) Inventors: **Sebastian Schleicher**, Fürth (DE);
Konrad Spitzenberger, Fürth (DE);
Andreas Lieber, Zirndorf (DE)

(73) Assignee: **KENNAMETAL INC.**, Latrobe, PA (US)

(**) Term: **15 Years**

(21) Appl. No.: **29/593,545**

(22) Filed: **Feb. 9, 2017**

(51) **LOC (11) Cl.** **15-09**

(52) **U.S. Cl.**
USPC **D15/139**

(58) **Field of Classification Search**
USPC D8/70, 71; D15/138, 139, 140
CPC .. B23C 5/06; B23C 5/22; B23C 5/109; B23C 5/207; B23C 2200/16; B23C 2200/165; B23C 2200/167; B23C 2200/168; B23C 2200/0405; B23C 2200/0466
See application file for complete search history.

(56) **References Cited**

U.S. PATENT DOCUMENTS

4,971,483	A *	11/1990	Kress	B23B 27/143	407/113
5,230,591	A	7/1993	Katbi et al.			
5,915,889	A *	6/1999	Kress	B23B 27/141	407/114
6,079,912	A *	6/2000	Rothballer	B23C 5/2213	407/114
D460,768	S *	7/2002	Svensson	D15/139	
D482,706	S *	11/2003	Svensson	D15/139	
6,641,337	B1 *	11/2003	Rothballer	B23B 27/143	407/114

7,306,409	B2	12/2007	Stabel et al.			
7,530,769	B2 *	5/2009	Kress	B23B 27/1625	407/107
D638,452	S	5/2011	Morrison et al.			
D640,716	S *	6/2011	Takahashi	D15/139	
D651,224	S *	12/2011	Takahashi	D15/139	
8,096,735	B2	1/2012	Sladek et al.			
8,573,903	B2	11/2013	Morrison et al.			
8,613,576	B2	12/2013	Ebert et al.			
D710,409	S	8/2014	Morrison et al.			
9,011,049	B2	4/2015	Fang et al.			
D760,308	S *	6/2016	Krishnegowda	D15/139	
9,475,134	B2	10/2016	Satran et al.			
D772,963	S *	11/2016	Nam	D15/139	
D804,552	S *	12/2017	Lee	D15/139	
2004/0007115	A1 *	1/2004	Schwaner	B23C 5/205	83/835
2014/0076117	A1	3/2014	Shibata			
2015/0190869	A1	7/2015	Roman et al.			
2017/0320145	A1 *	11/2017	Pettersson	B23C 5/22	
2018/0009044	A1 *	1/2018	Koifman	B23C 5/109	

* cited by examiner

Primary Examiner — Patricia A Palasik
(74) *Attorney, Agent, or Firm* — Larry R. Meenan

(57) **CLAIM**

The ornamental design for a cutting insert with corner radii cutting surfaces, as shown and described.

DESCRIPTION

FIG. 1 is a perspective view showing the new design of the invention;
FIG. 2 is a front view, the rear view being identical to the front view;
FIG. 3 is top view, the bottom view being identical to the top view; and,
FIG. 4 is a left side view, the right side view being identical to the left side view.

1 Claim, 4 Drawing Sheets

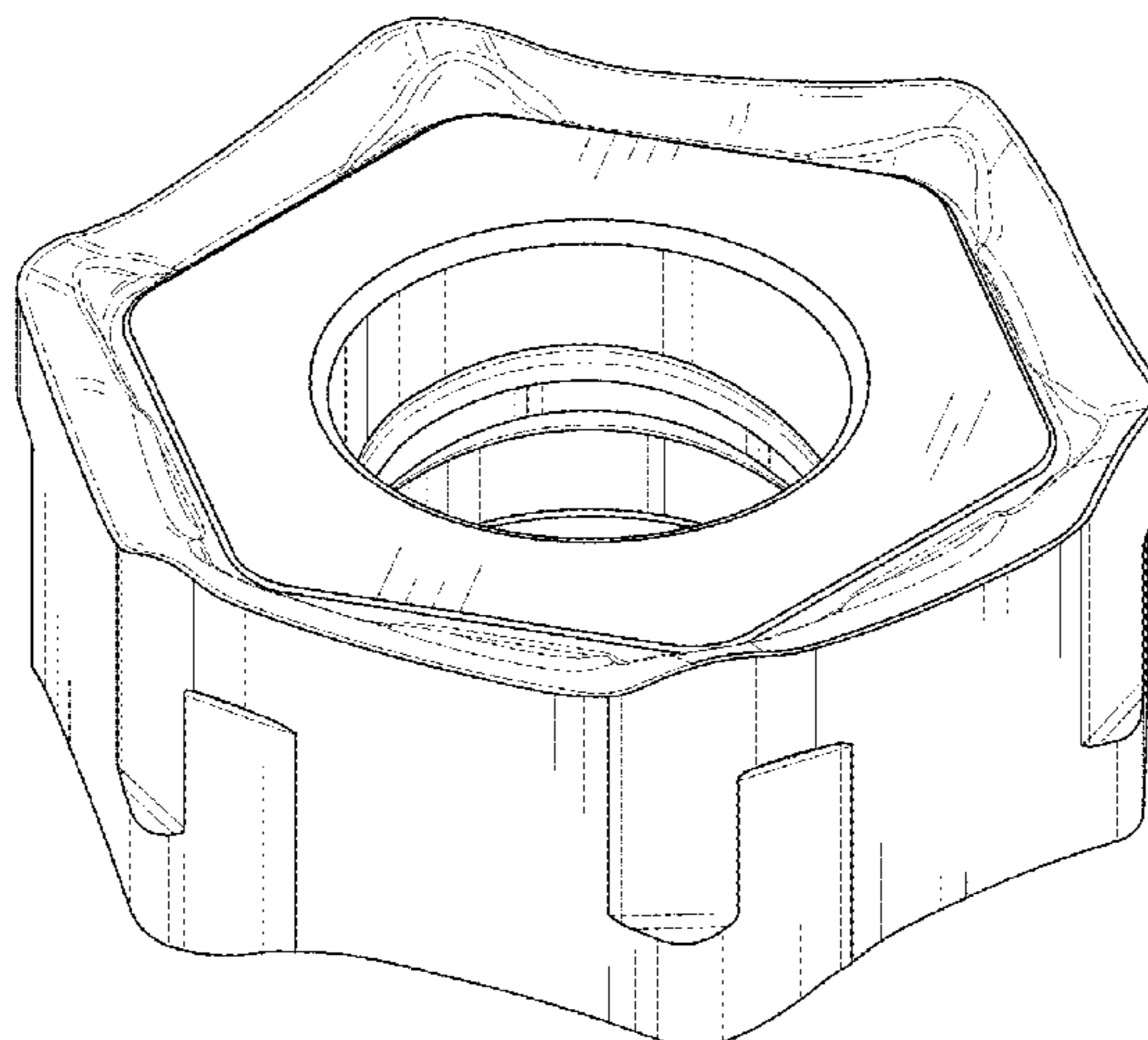


FIG. 1

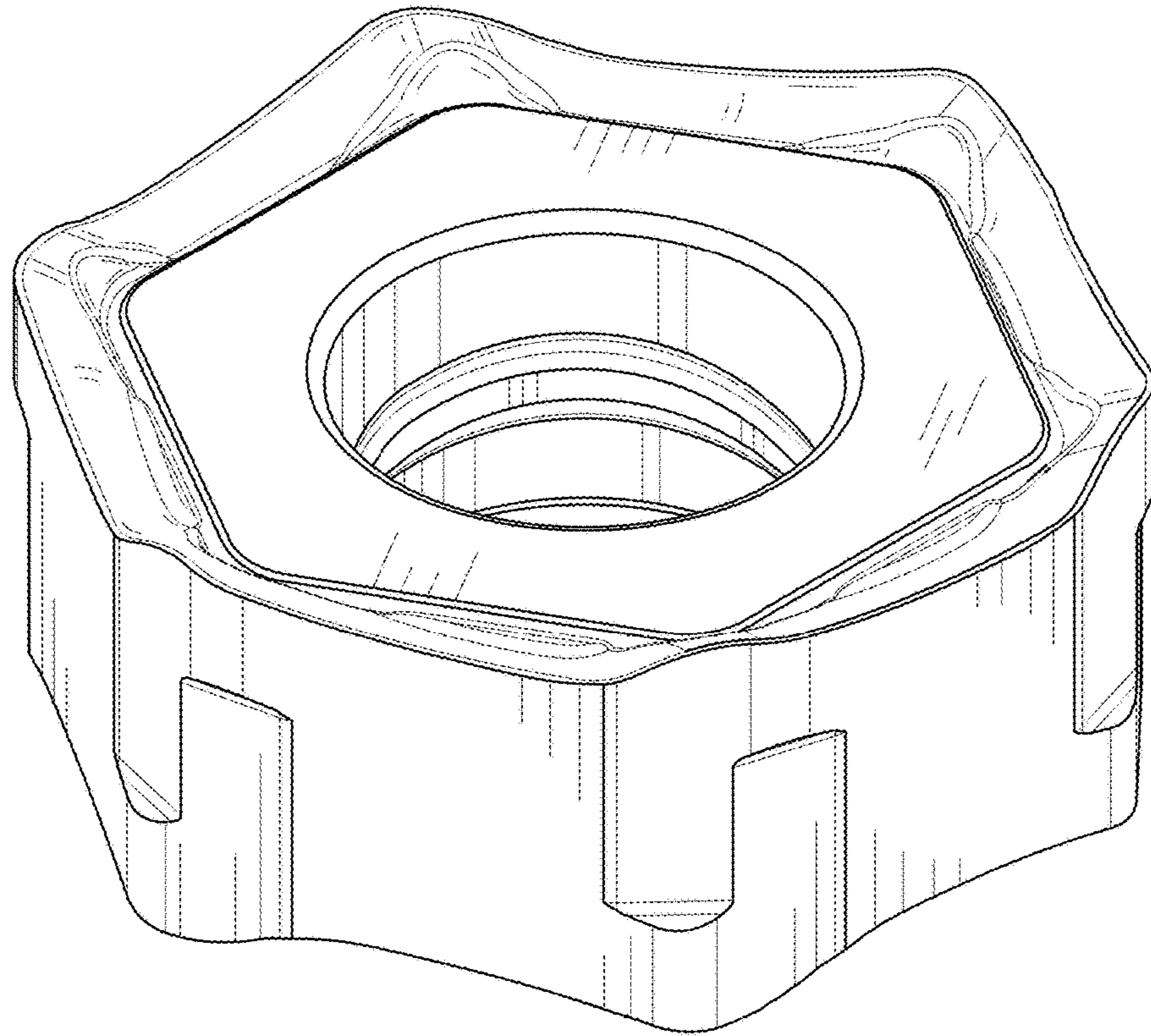


FIG. 2

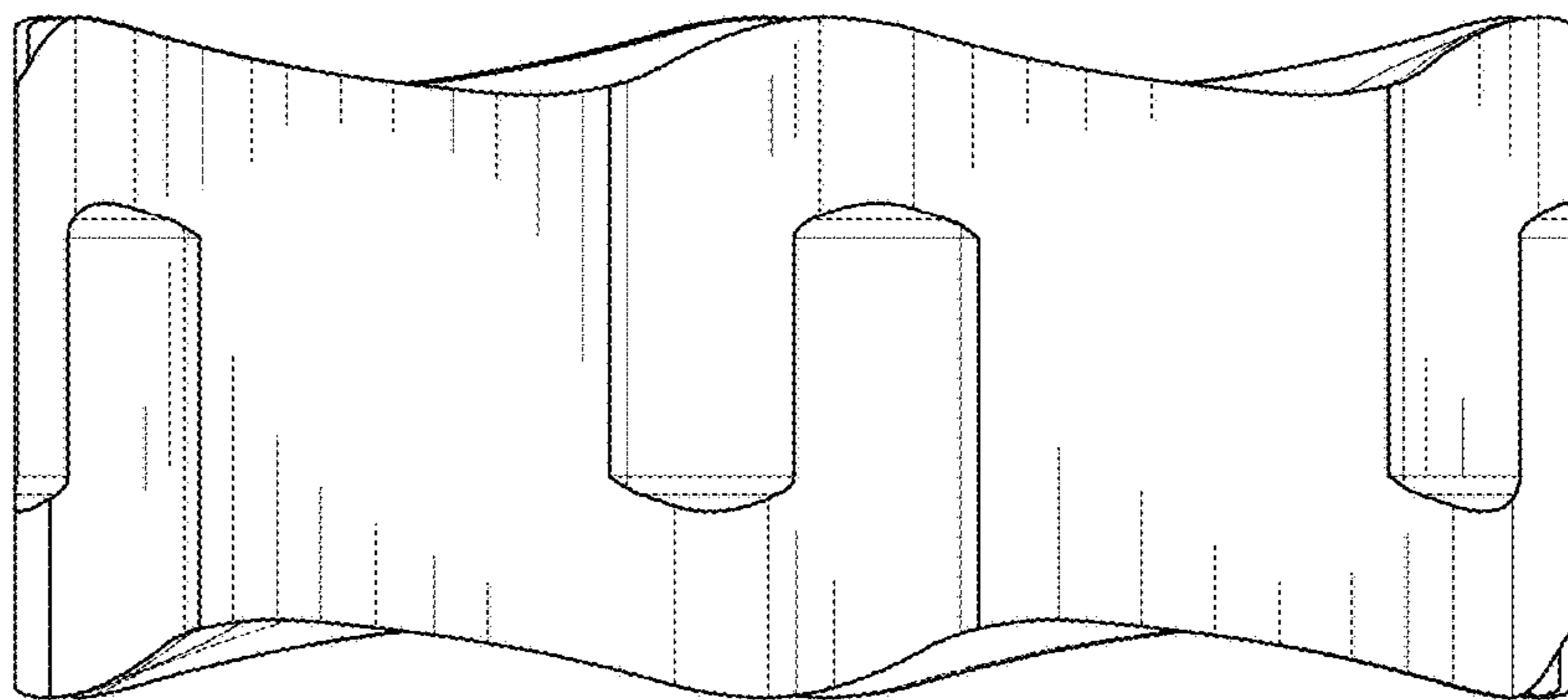


FIG. 3

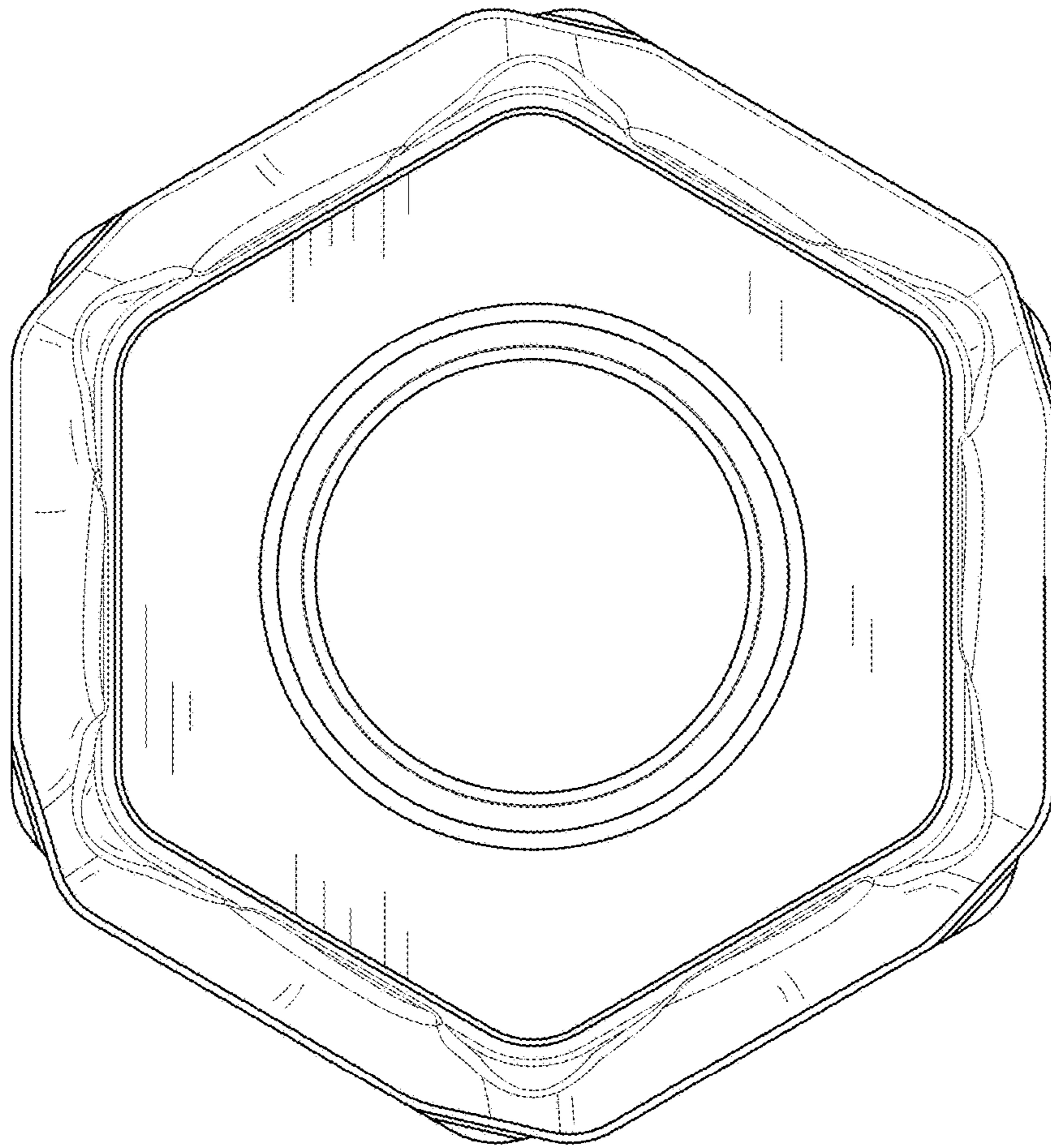


FIG. 4

