



US00D815163S

(12) **United States Design Patent**
Savill, Jr.

(10) **Patent No.:** **US D815,163 S**
(45) **Date of Patent:** **** Apr. 10, 2018**

(54) **INJECTOR RING**

(71) Applicant: **OERLIKON METCO (US) INC.**

(72) Inventor: **Robert F. Savill, Jr., Levittown, NY (US)**

(73) Assignee: **OERLIKON METCO (US) INC., Westbury, NY (US)**

(**) Term: **15 Years**

(21) Appl. No.: **29/560,221**

(22) Filed: **Apr. 4, 2016**

Related U.S. Application Data

(62) Division of application No. 29/420,562, filed on May 10, 2012, now Pat. No. Des. 755,864.

(51) **LOC (11) Cl.** **15-09**

(52) **U.S. Cl.**
USPC **D15/138**

(58) **Field of Classification Search**
USPC D15/5, 138; 239/548
CPC F23D 11/383; F23D 2900/00016; F23D 2900/11002; F23D 2900/14701; F23R 3/14; F23R 3/20; F23R 3/28; F23R 3/286; F23R 2900/00014; H01M 8/04089
See application file for complete search history.

(56) **References Cited**

U.S. PATENT DOCUMENTS

8,313,046 B2 * 11/2012 Short 239/494
D755,864 S 5/2016 Savill, Jr.

2008/0041060 A1 * 2/2008 Nilsson et al. 60/737
2011/0031333 A1 * 2/2011 Short 239/548
2013/0341912 A1 * 12/2013 Tanner et al. 285/272
2014/0138568 A1 * 5/2014 van Vuuren et al. 251/357
2014/0157781 A1 * 6/2014 Moran et al. 60/746

FOREIGN PATENT DOCUMENTS

JP D1162915 1/2003

* cited by examiner

Primary Examiner — Patricia A Palasik

(74) *Attorney, Agent, or Firm* — Greenblum & Bernstein, P.L.C.

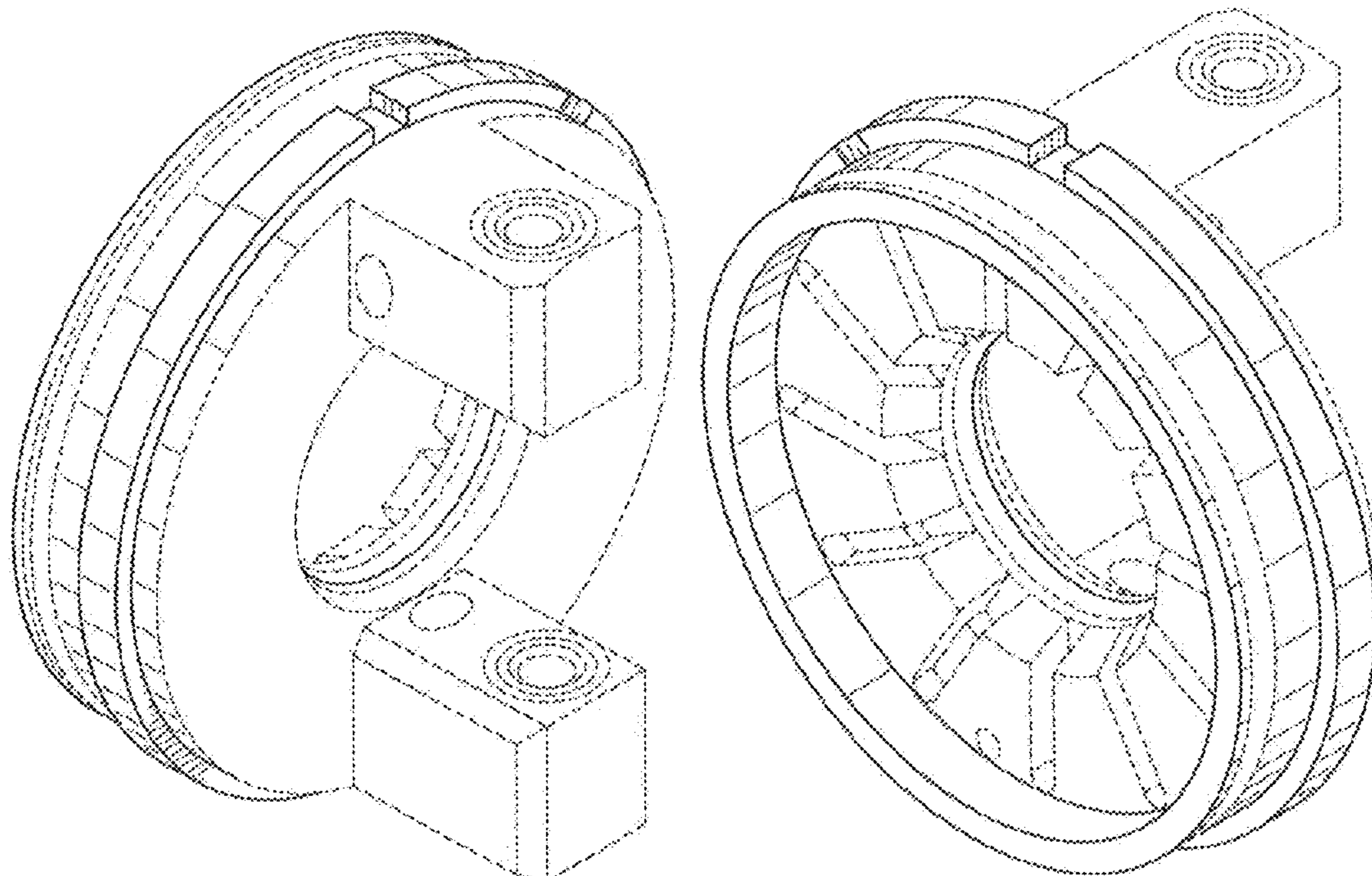
(57) **CLAIM**

I claim the ornamental design for an injector ring, as shown and described.

DESCRIPTION

FIG. 1 is a top side view of one embodiment of the injector ring;
FIG. 2 is a side view of FIG. 1 rotated 90 degrees;
FIG. 3 shows a front side view of FIG. 1;
FIG. 4 shows a back side view of FIG. 1;
FIG. 5 shows a back side perspective view of FIG. 1; and,
FIG. 6 shows a front side perspective view of FIG. 1.
Any surfaces of the design not shown, including interior surfaces and any surfaces shown in broken lines, form no part of the claimed invention.

1 Claim, 4 Drawing Sheets



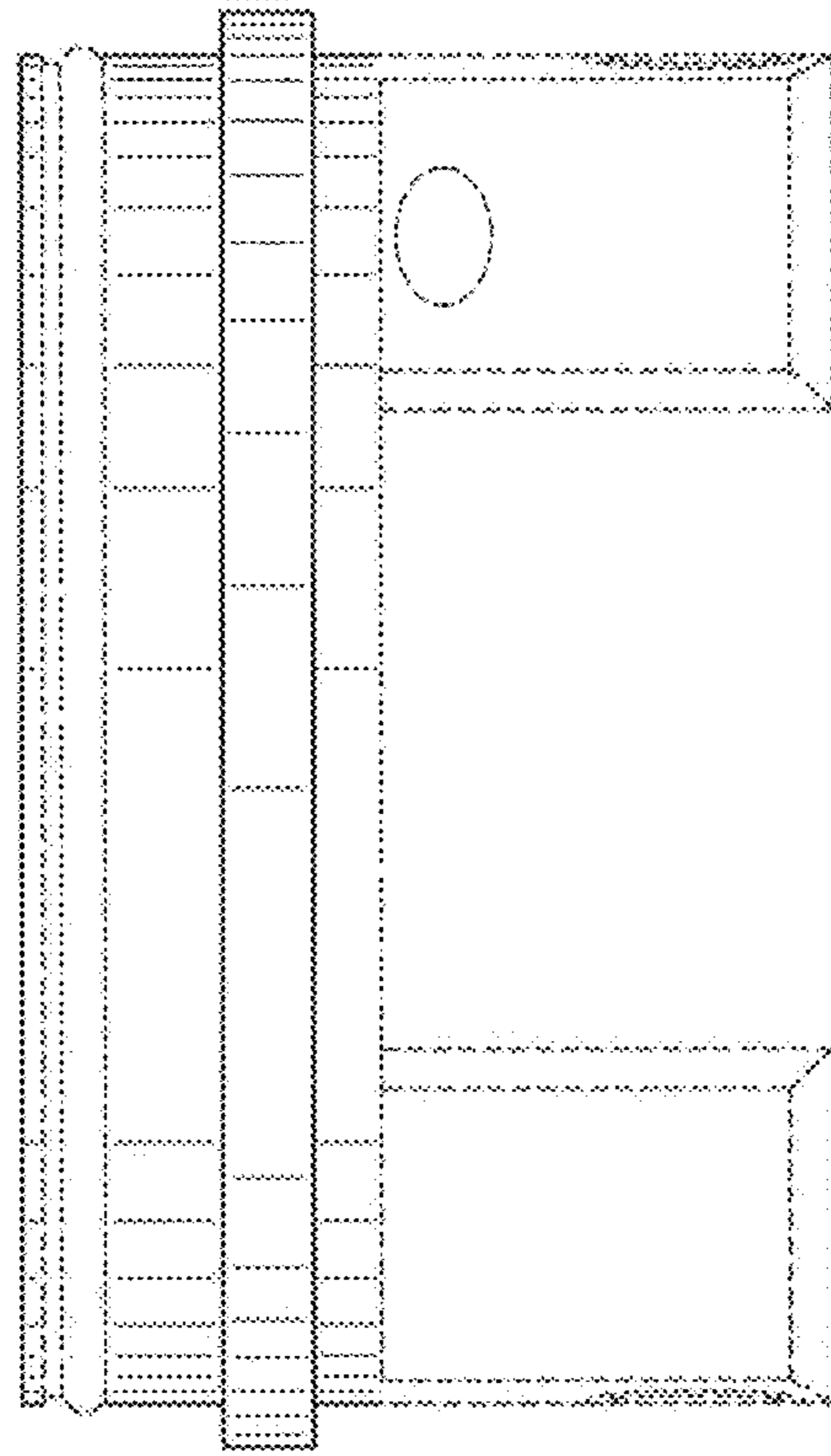


FIG. 2

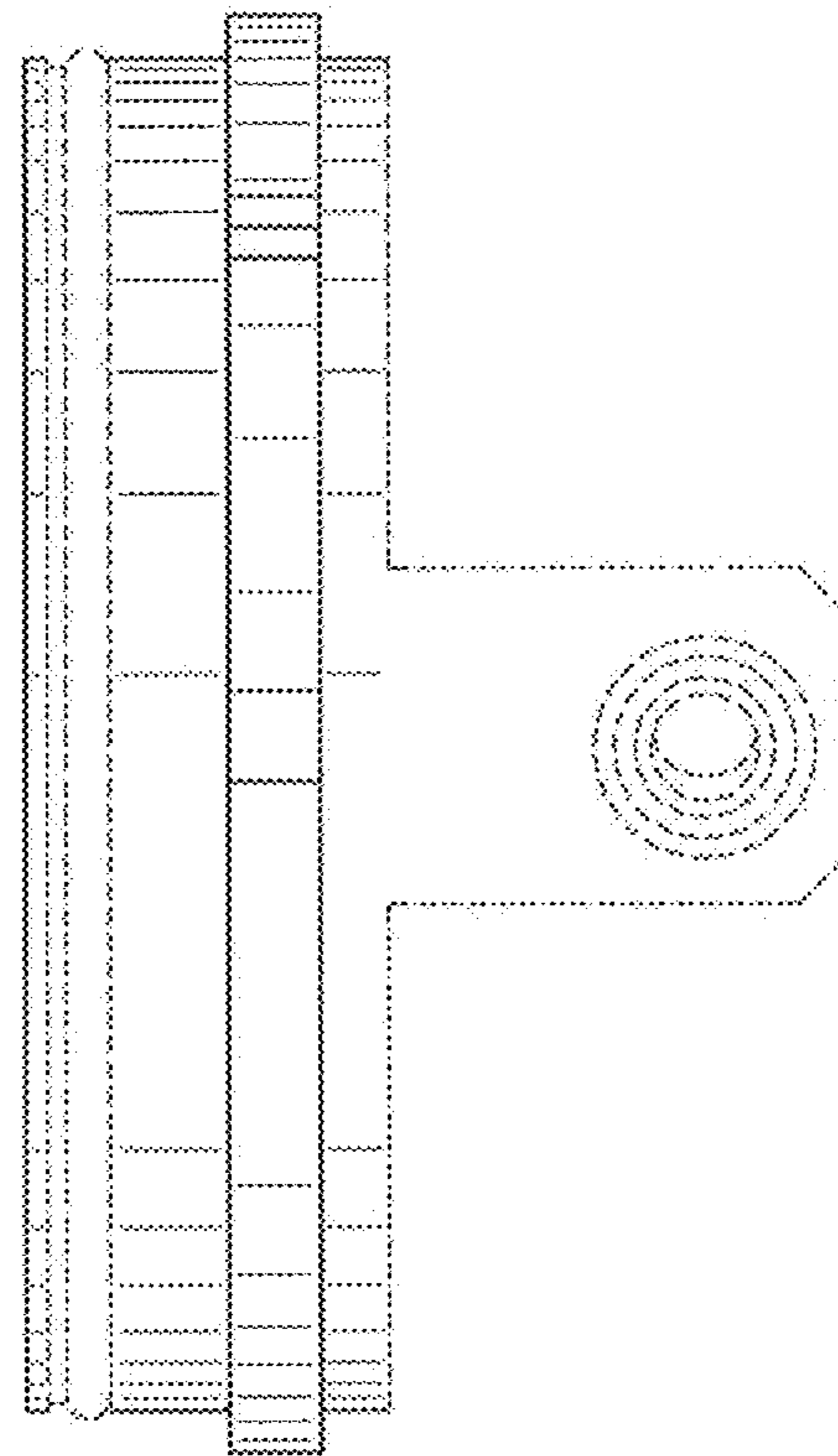


FIG. 1

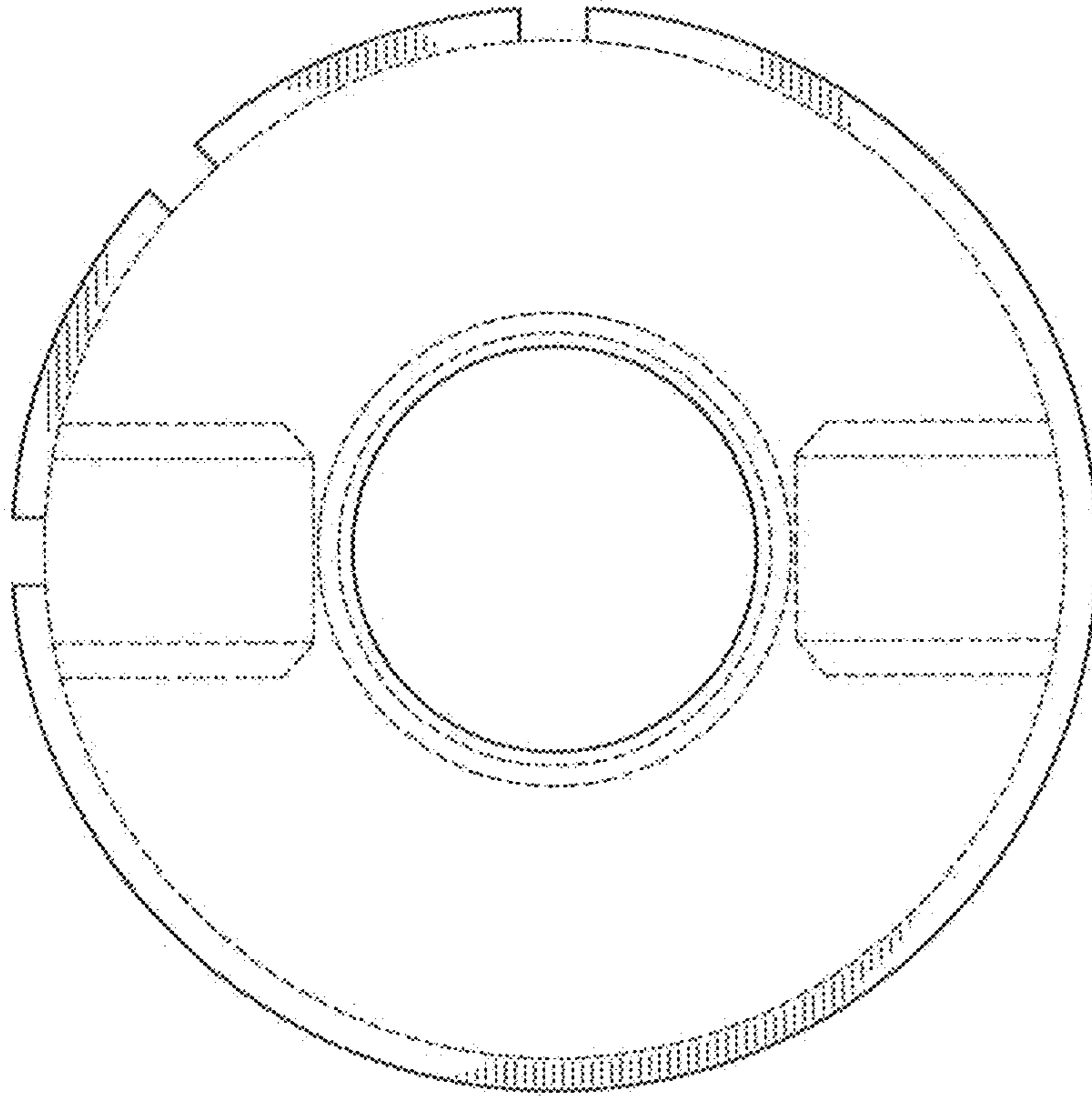


FIG. 4

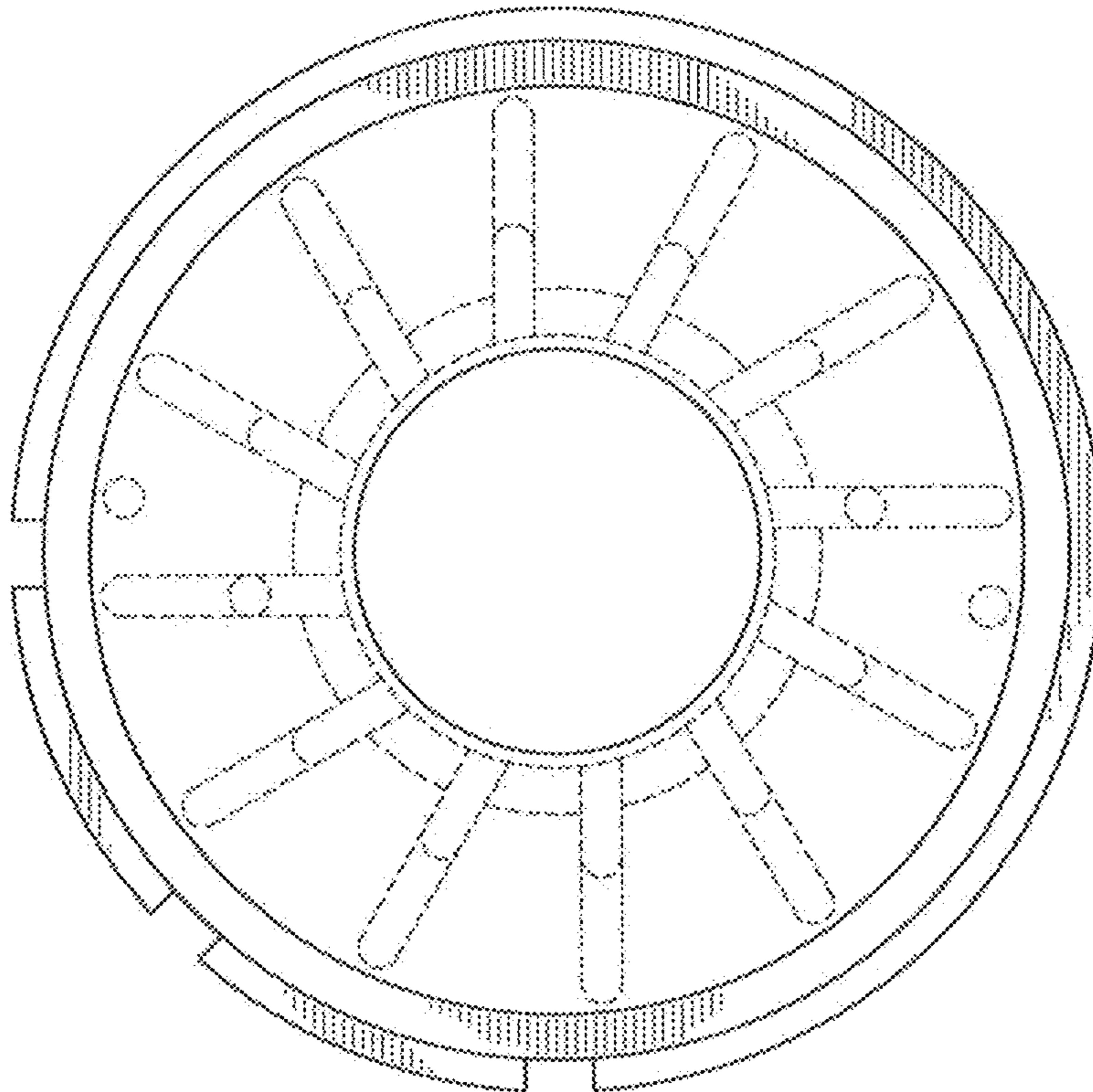


FIG. 3

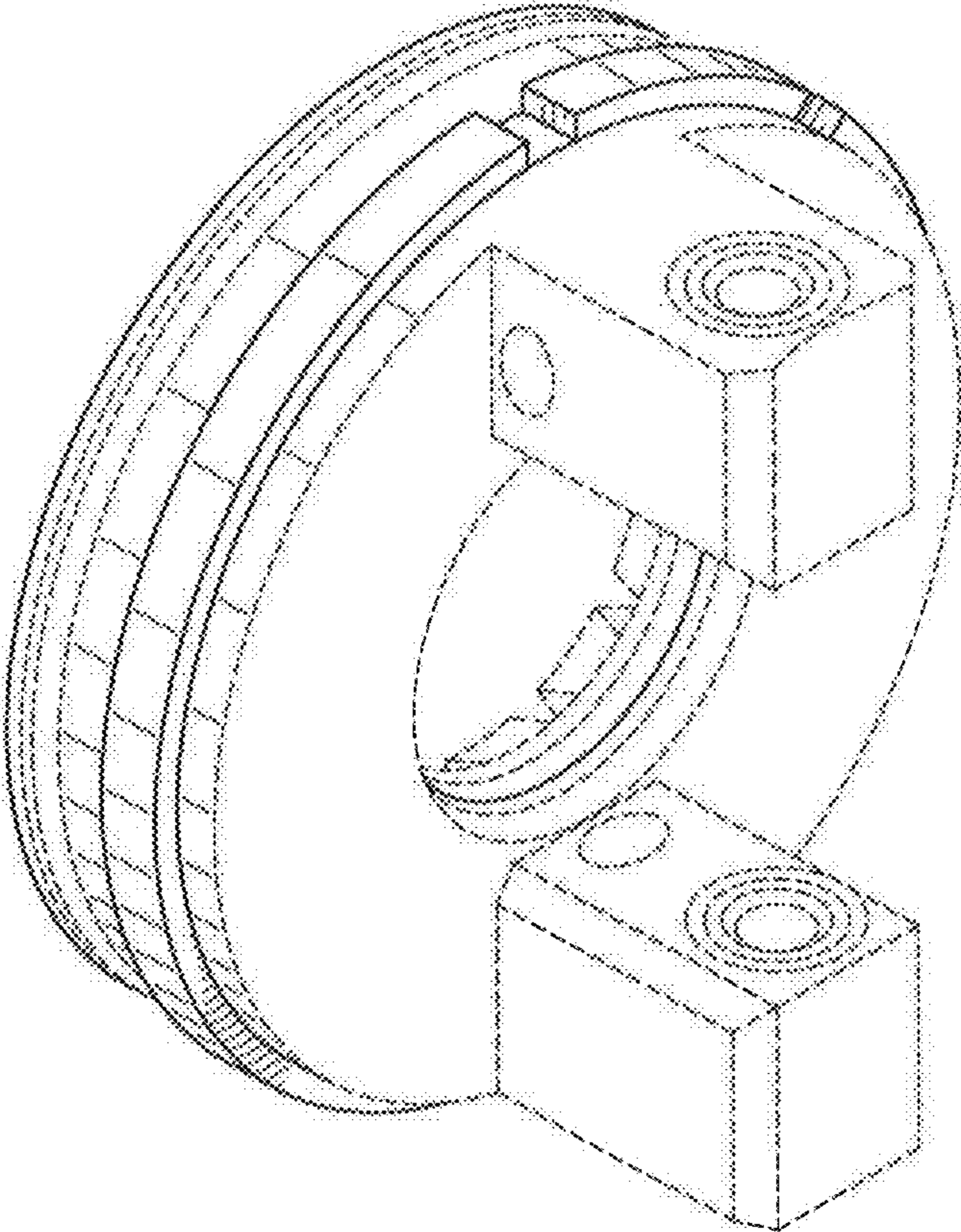


FIG. 5

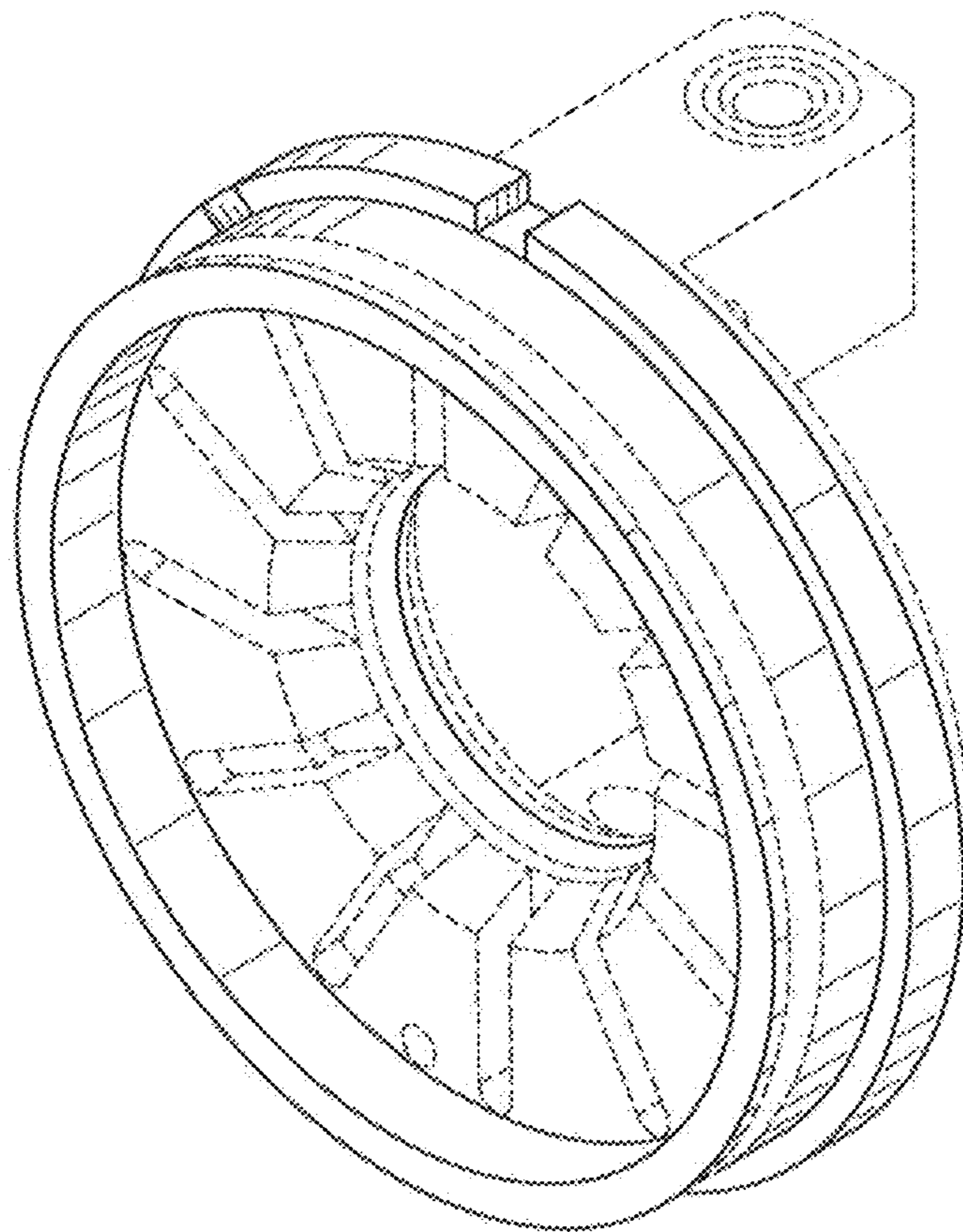


FIG.6