



US00D815158S

(12) **United States Design Patent**  
**Maguire**

(10) **Patent No.:** **US D815,158 S**

(45) **Date of Patent:** **\*\* Apr. 10, 2018**

(54) **LOW PROFILE RECEIVER**

(71) Applicant: **Stephen B. Maguire**, West Chester, PA  
(US)

(72) Inventor: **Stephen B. Maguire**, West Chester, PA  
(US)

(\*\*) Term: **15 Years**

(21) Appl. No.: **29/550,569**

(22) Filed: **Jan. 5, 2016**

(51) **LOC (11) Cl.** ..... **15-03**

(52) **U.S. Cl.**

USPC ..... **D15/122**

(58) **Field of Classification Search**

USPC ..... D15/122, 135, 138, 199

CPC ..... B29C 45/14336; B29C 2045/4063; B29C  
37/02; B29C 45/0408; B29C 45/14; B29C  
45/1459; B29C 45/33; B29C 45/44; B29C  
49/04; B29C 49/4802; B29C 49/4815;  
B29C 49/541

See application file for complete search history.

(56) **References Cited**

**U.S. PATENT DOCUMENTS**

D331,248 S \* 11/1992 Yeh ..... D15/135  
D651,623 S \* 1/2012 Stillwell ..... D15/135

D696,318 S \* 12/2013 Ludwick ..... D15/138  
D726,793 S \* 4/2015 von Wyl ..... D15/144  
D736,281 S \* 8/2015 Phillips ..... D15/138  
D781,358 S \* 3/2017 Pichler ..... D15/122

\* cited by examiner

*Primary Examiner* — Ian Simmons

*Assistant Examiner* — Khawaja Anwar

(74) *Attorney, Agent, or Firm* — Fox Rothschild LLP

(57) **CLAIM**

The ornamental design for a low profile receiver, as shown and described.

**DESCRIPTION**

FIG. 1 is a top, front, and left side perspective view of a low profile receiver, showing my new design;

FIG. 2 is a left side elevation view thereof, shown in a closed configuration;

FIG. 3 is a right side elevation view thereof, shown in an open configuration;

FIG. 4 is a rear elevation view thereof;

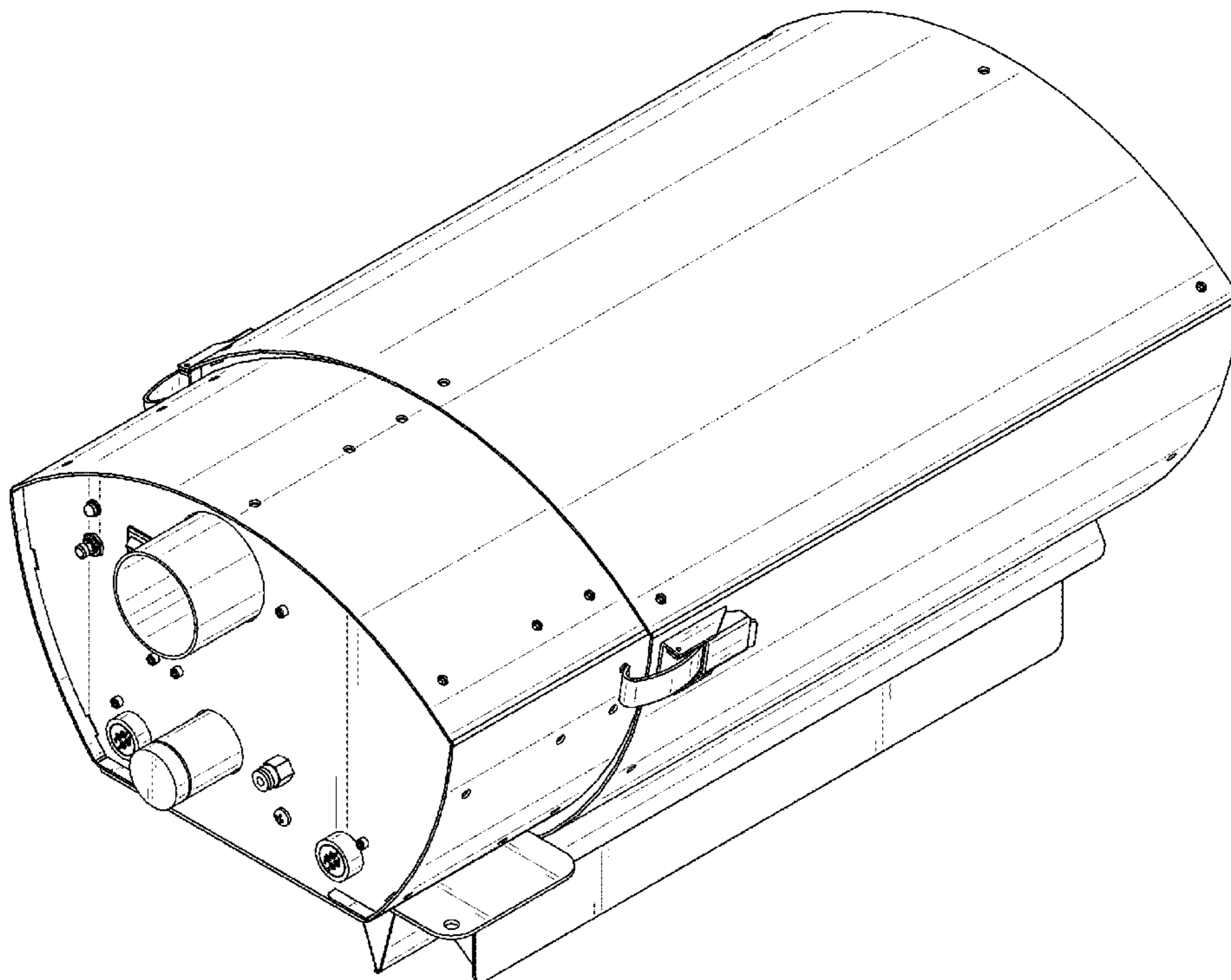
FIG. 5 is a front elevation view thereof;

FIG. 6 is a top view thereof; and,

FIG. 7 is a bottom view thereof; shown in an open configuration.

The broken lines shown in drawings represent unclaimed portions of the low profile receiver and form no parts of the claimed design.

**1 Claim, 7 Drawing Sheets**



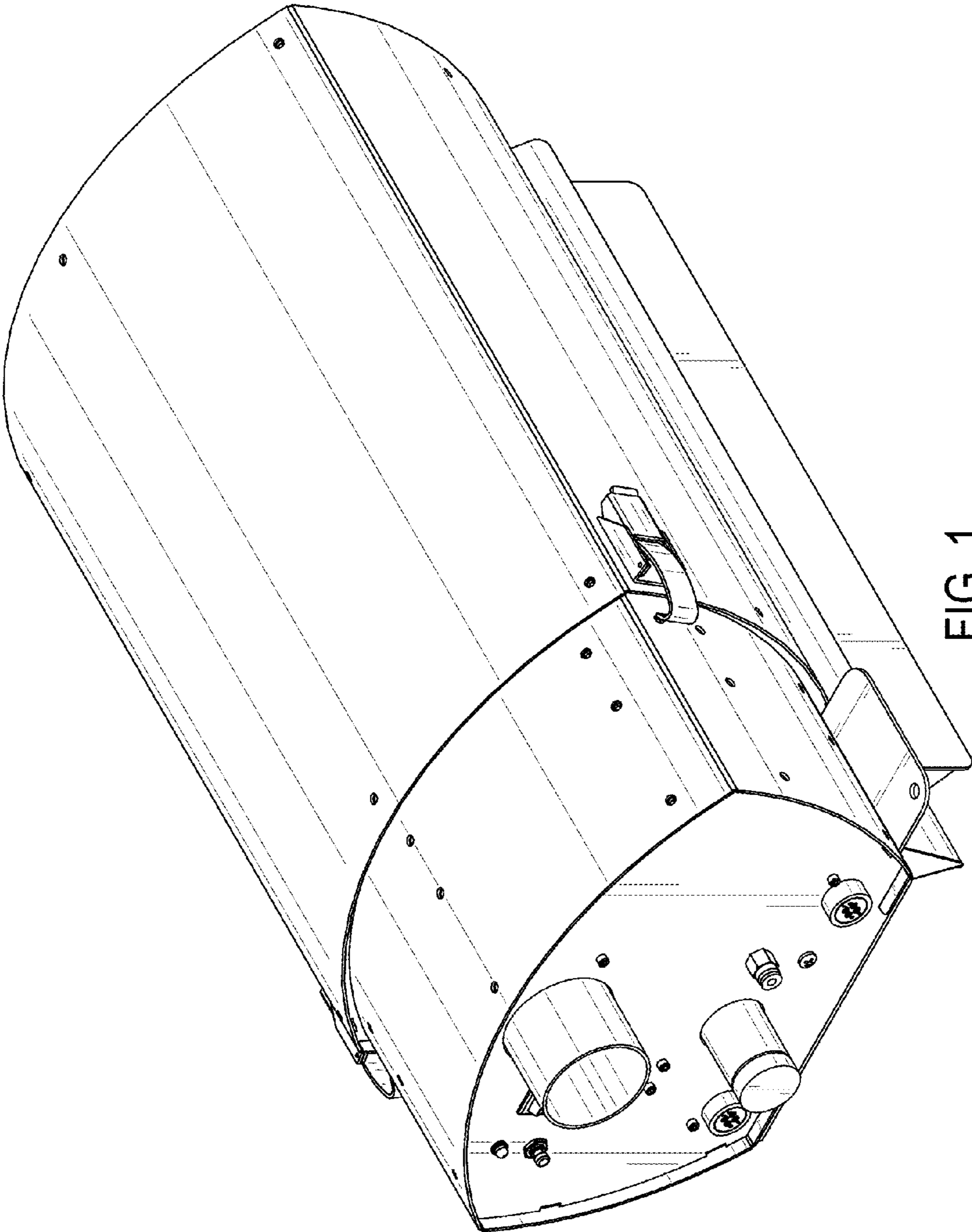


FIG. 1

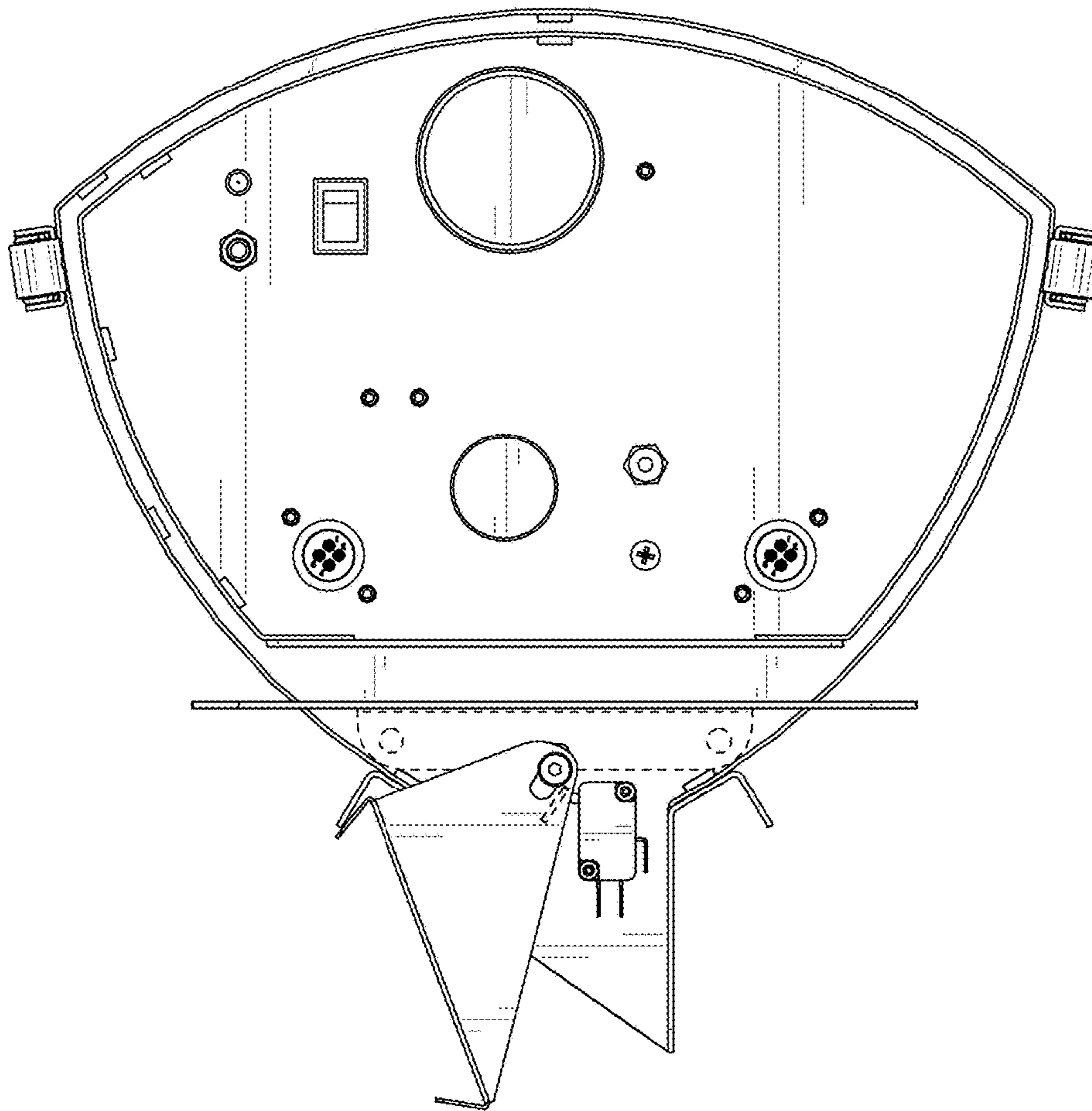


FIG. 2

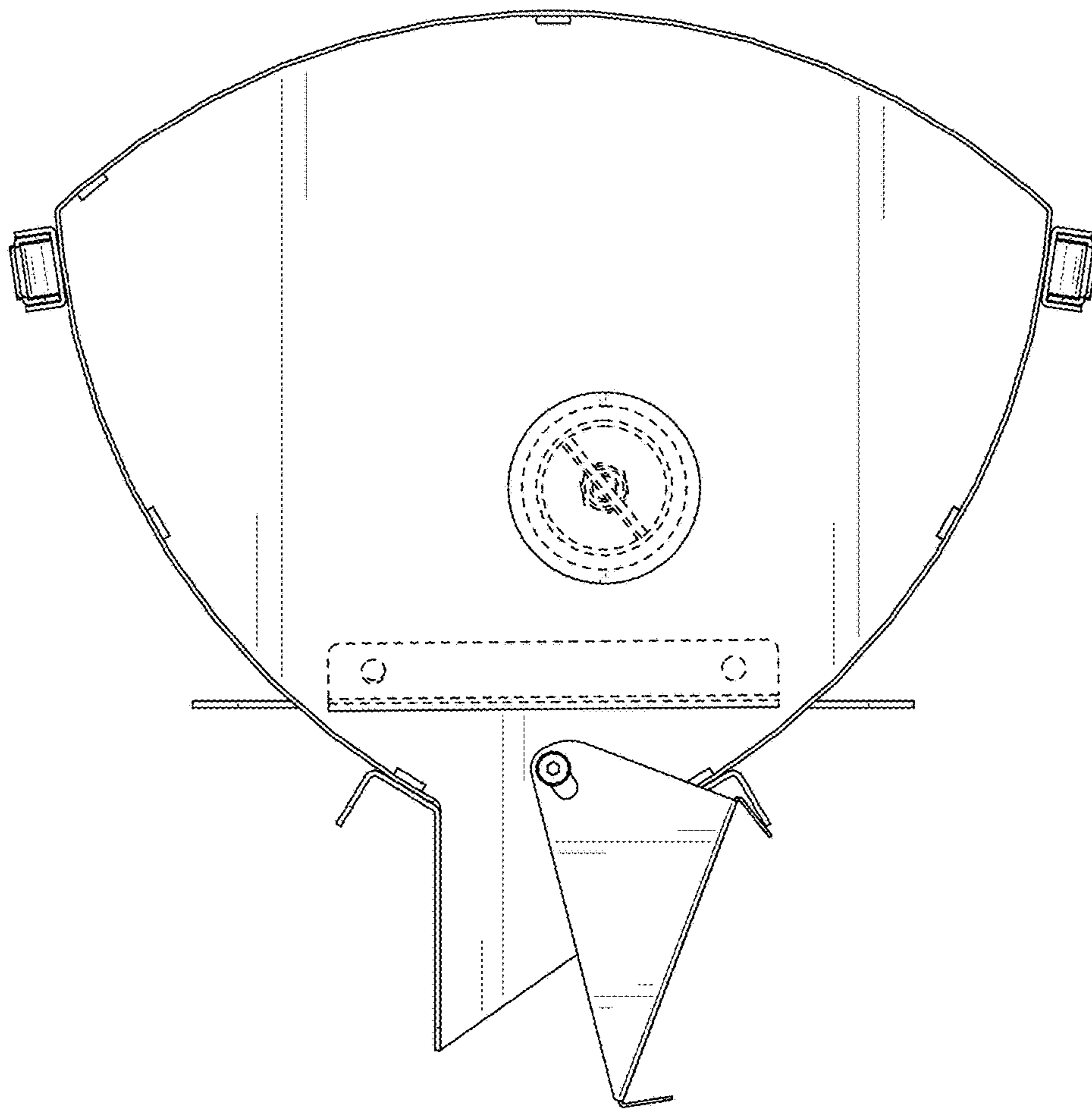


FIG. 3

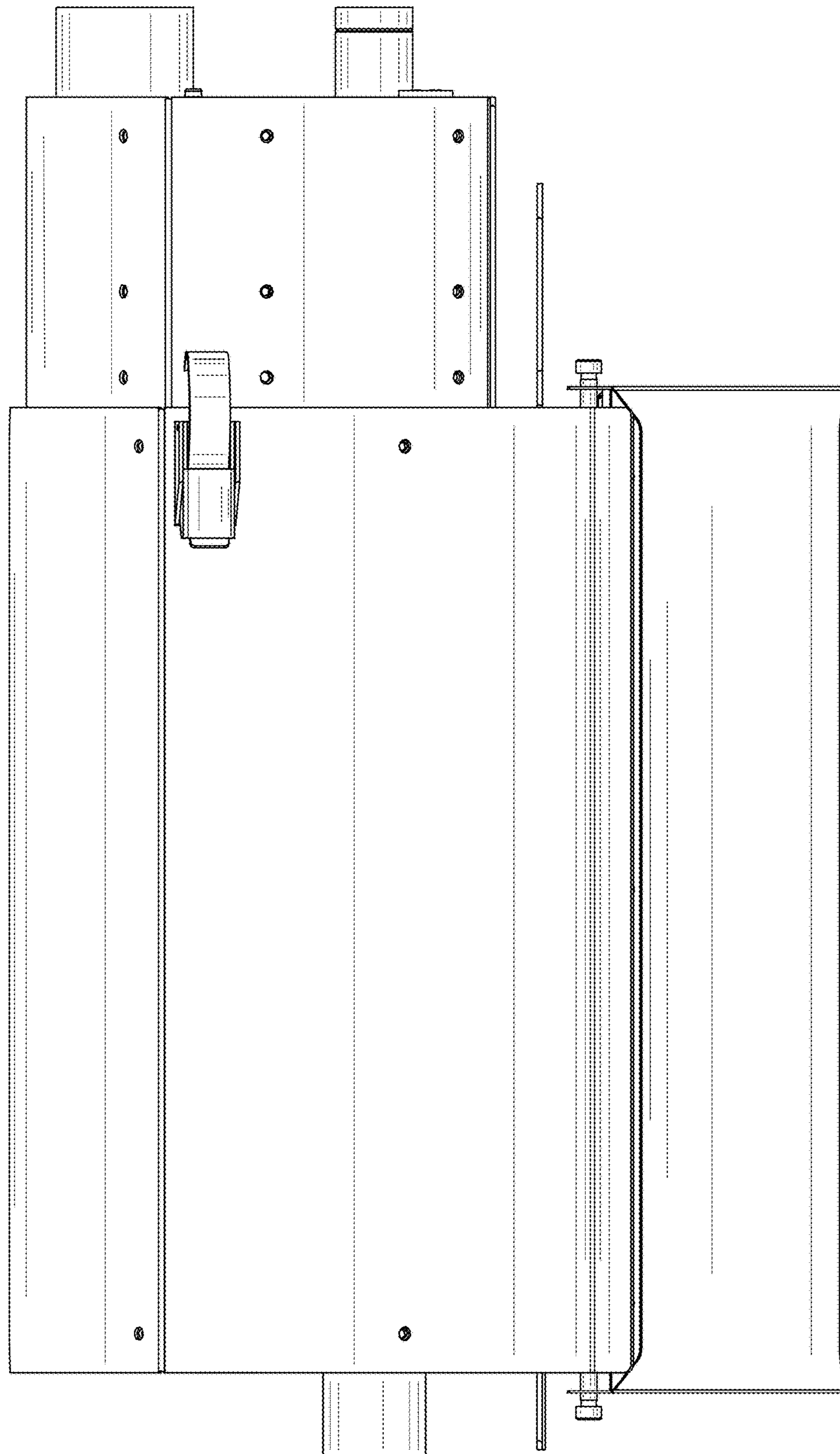


FIG. 4

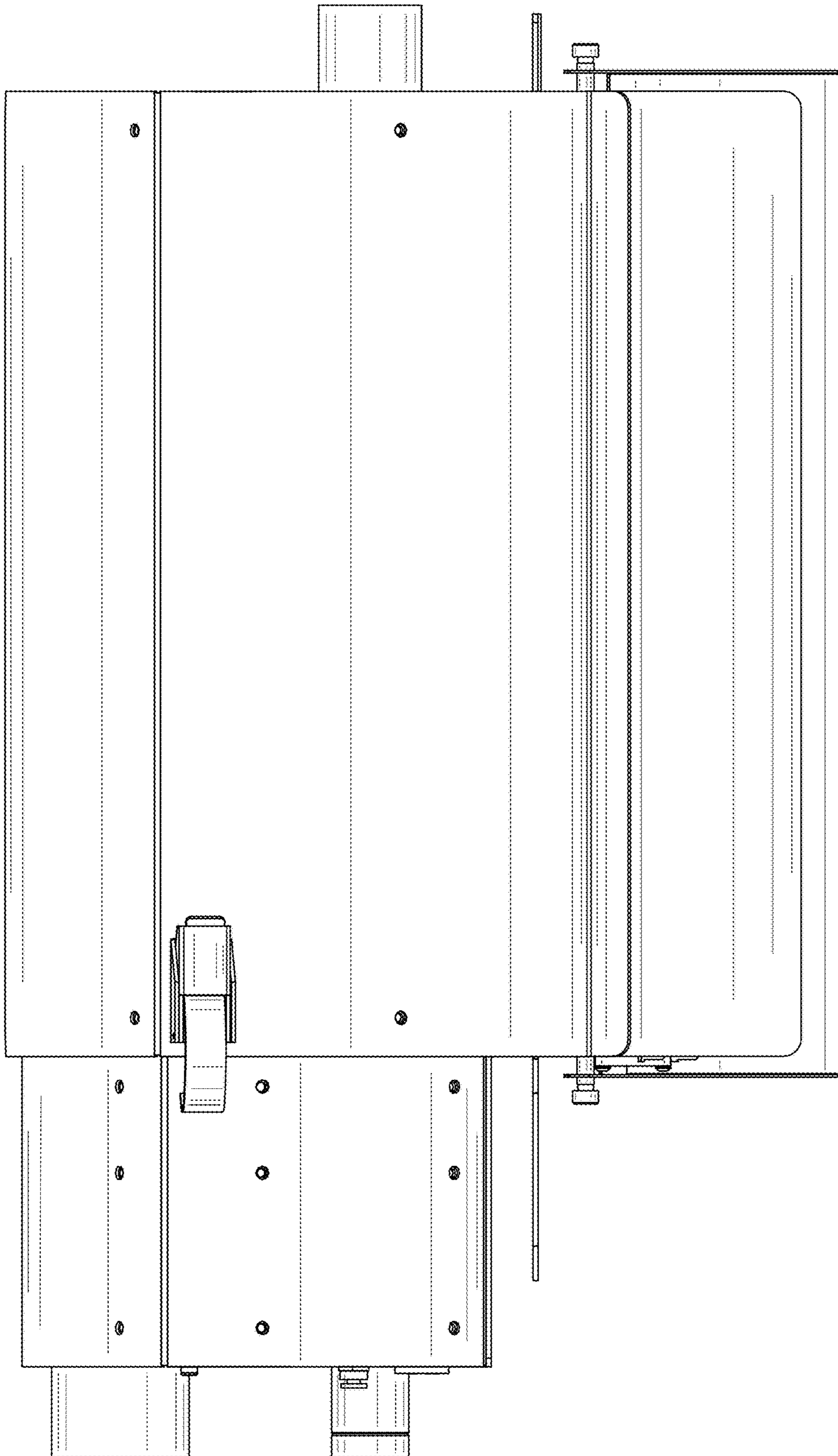


FIG. 5

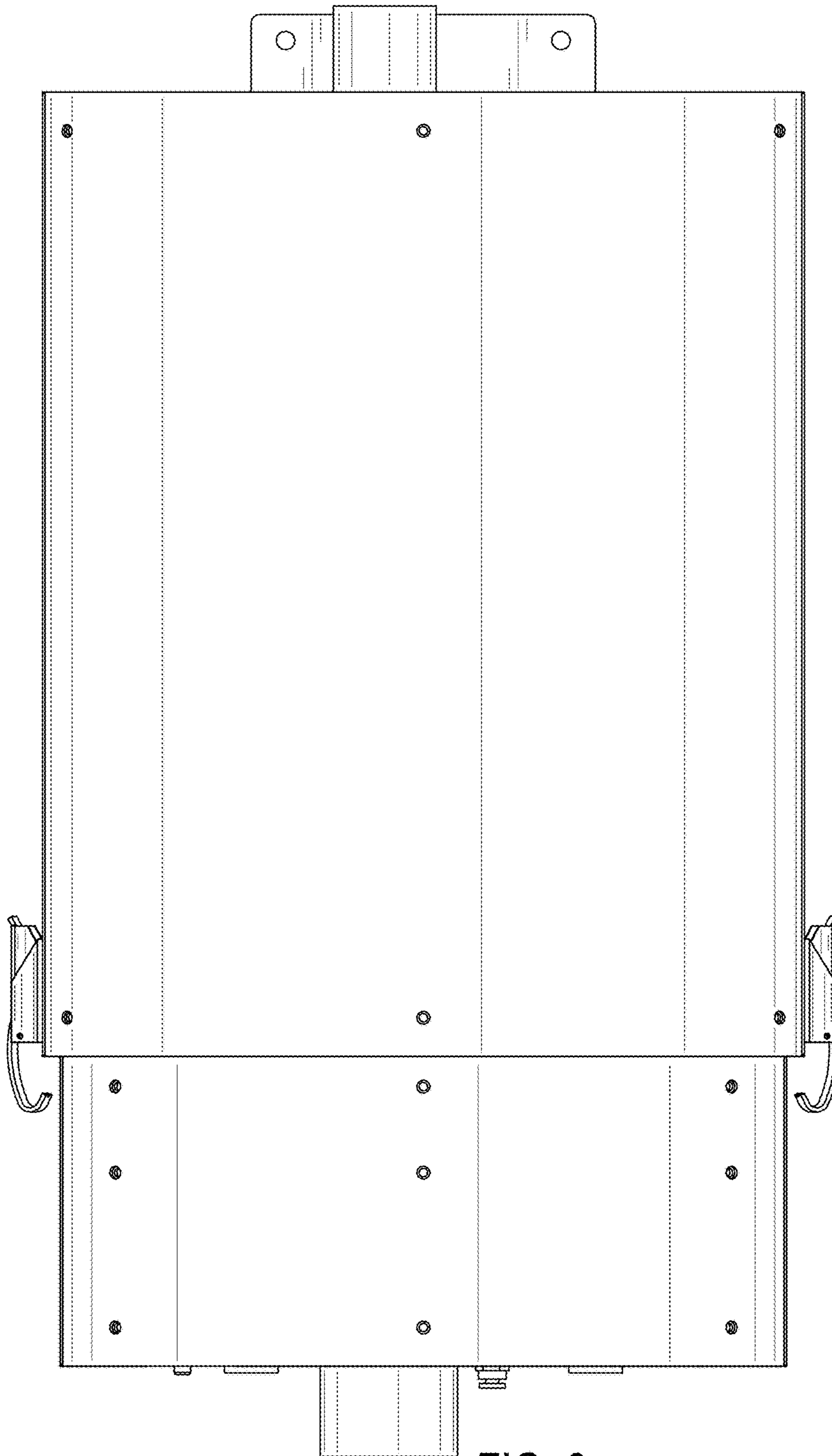


FIG. 6

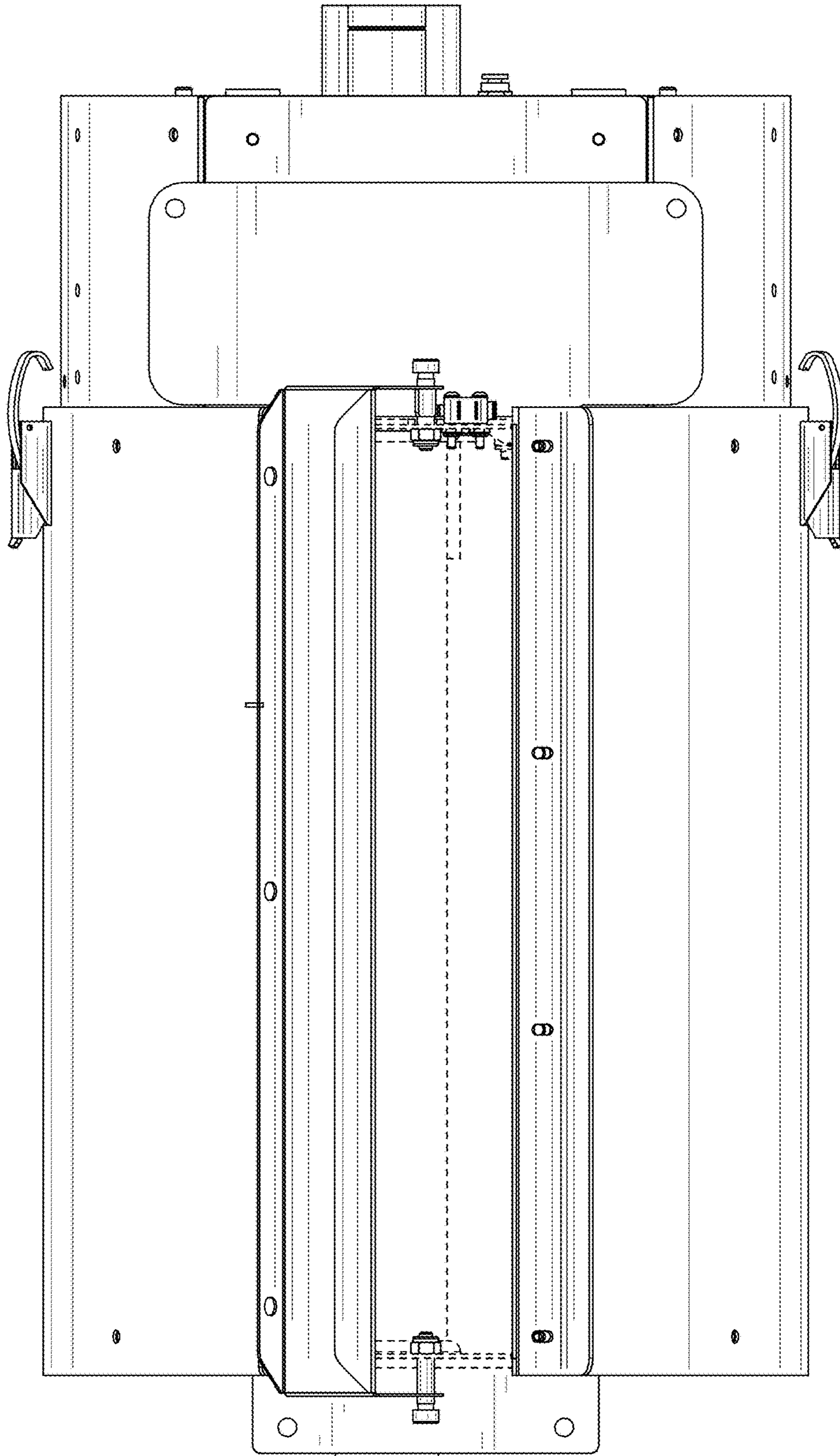


FIG. 7