



US00D815153S

(12) **United States Design Patent**
Hua et al.

(10) **Patent No.:** **US D815,153 S**
(45) **Date of Patent:** **** Apr. 10, 2018**

(54) **SNOW PLOW**
(71) Applicant: **Cixi Huazhijie Plastic Product Co., Ltd.**, Cixi, Zhejiang (CN)
(72) Inventors: **Shimin Hua**, Zhejiang (CN); **Jie Hua**, Zhejiang (CN)
(73) Assignee: **Cixi Huazhijie Plastic Product Co., Ltd.**, Cixi, Zhejiang (CN)
(**) Term: **15 Years**
(21) Appl. No.: **29/554,699**
(22) Filed: **Feb. 14, 2016**

(30) **Foreign Application Priority Data**
Oct. 23, 2015 (JP) 2015-023595
(51) **LOC (11) Cl.** **15-03**
(52) **U.S. Cl.**
USPC **D15/11**
(58) **Field of Classification Search**
USPC D8/1, 7, 10; D15/10, 11
CPC E01H 5/00; E01H 5/02; E01H 5/06; E01H 5/063
See application file for complete search history.

(56) **References Cited**
U.S. PATENT DOCUMENTS
1,049,812 A * 1/1913 Darling E01H 5/02
294/51
5,511,328 A * 4/1996 Fingerer E01H 5/02
294/54.5

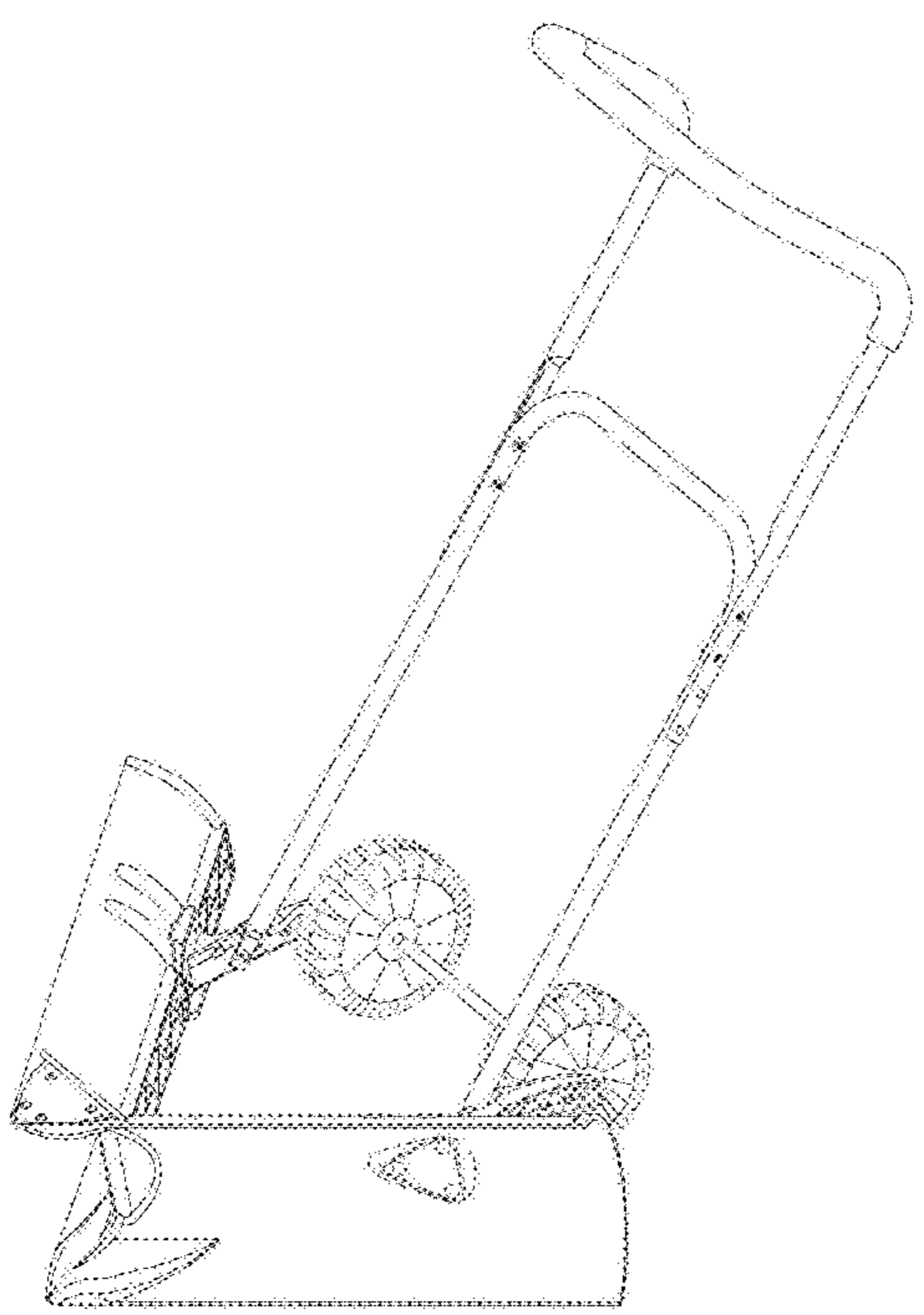
D377,653 S * 1/1997 Matisz D15/11
5,791,072 A * 8/1998 Schbot E01H 5/02
294/57
D407,723 S * 4/1999 Weisman D15/11
6,269,558 B1 * 8/2001 Alexander E01H 5/02
294/54.5
D783,685 S * 4/2017 Gruber D15/11
D784,419 S * 4/2017 Gruber D15/11
2009/0013564 A1 * 1/2009 Mallaridas E01H 5/02
37/273
2011/0258888 A1 * 10/2011 Swenson E01H 5/02
37/278
2015/0233069 A1 * 8/2015 Fernandez, Sr. E01H 5/061
37/241
2016/0215466 A1 * 7/2016 Faraci E01H 5/061

* cited by examiner
Primary Examiner — Sandra S Snapp
Assistant Examiner — Ieisha N Price

(57) **CLAIM**
The ornamental design for a snow plow, as shown and described.

DESCRIPTION
FIG. 1 is a perspective view of the snow plow showing my new design;
FIG. 2 is a front elevation view thereof;
FIG. 3 is a back elevation view thereof;
FIG. 4 is a left elevation view thereof;
FIG. 5 is a right elevation view thereof;
FIG. 6 is a top view thereof; and,
FIG. 7 is a bottom view thereof.

1 Claim, 7 Drawing Sheets



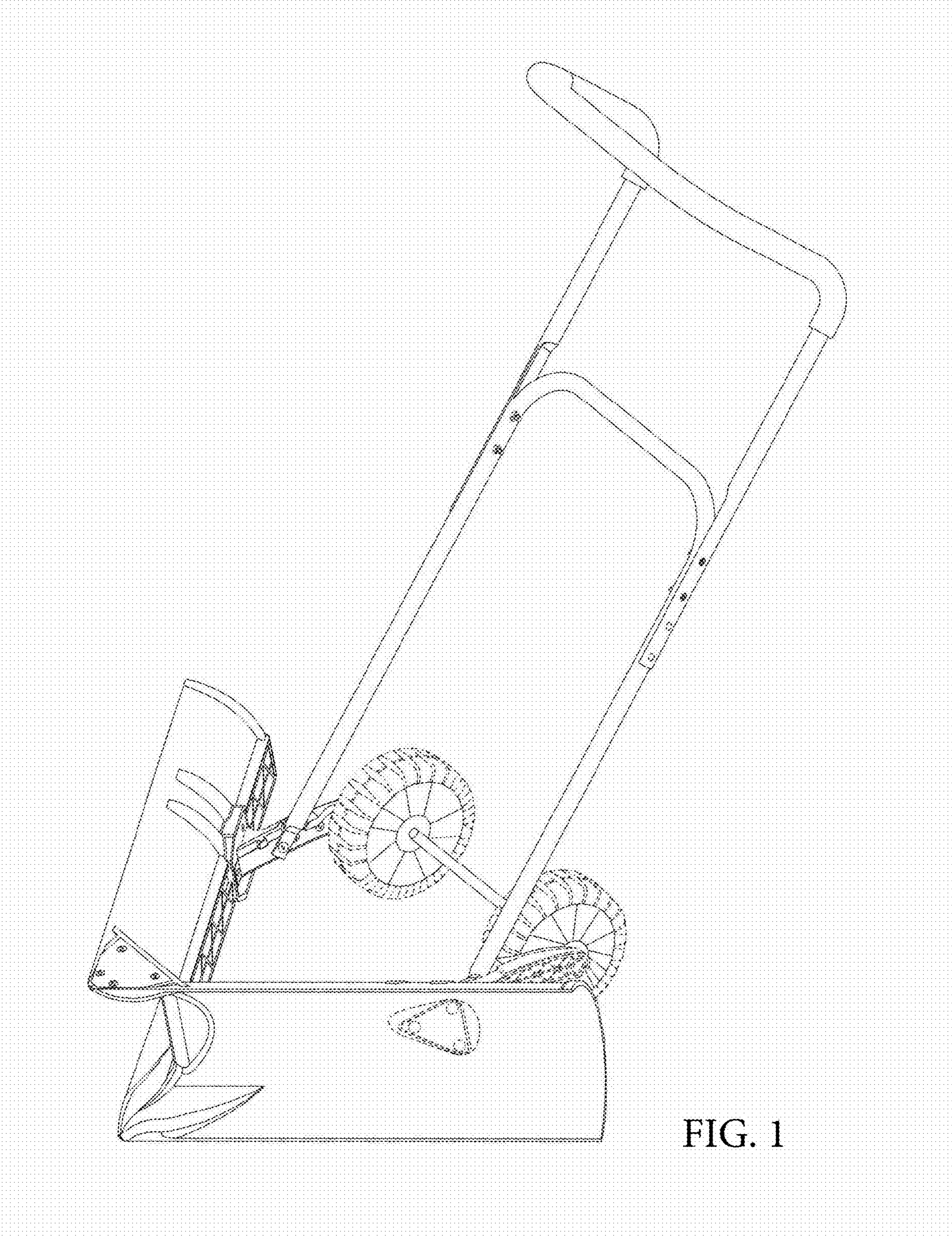


FIG. 1

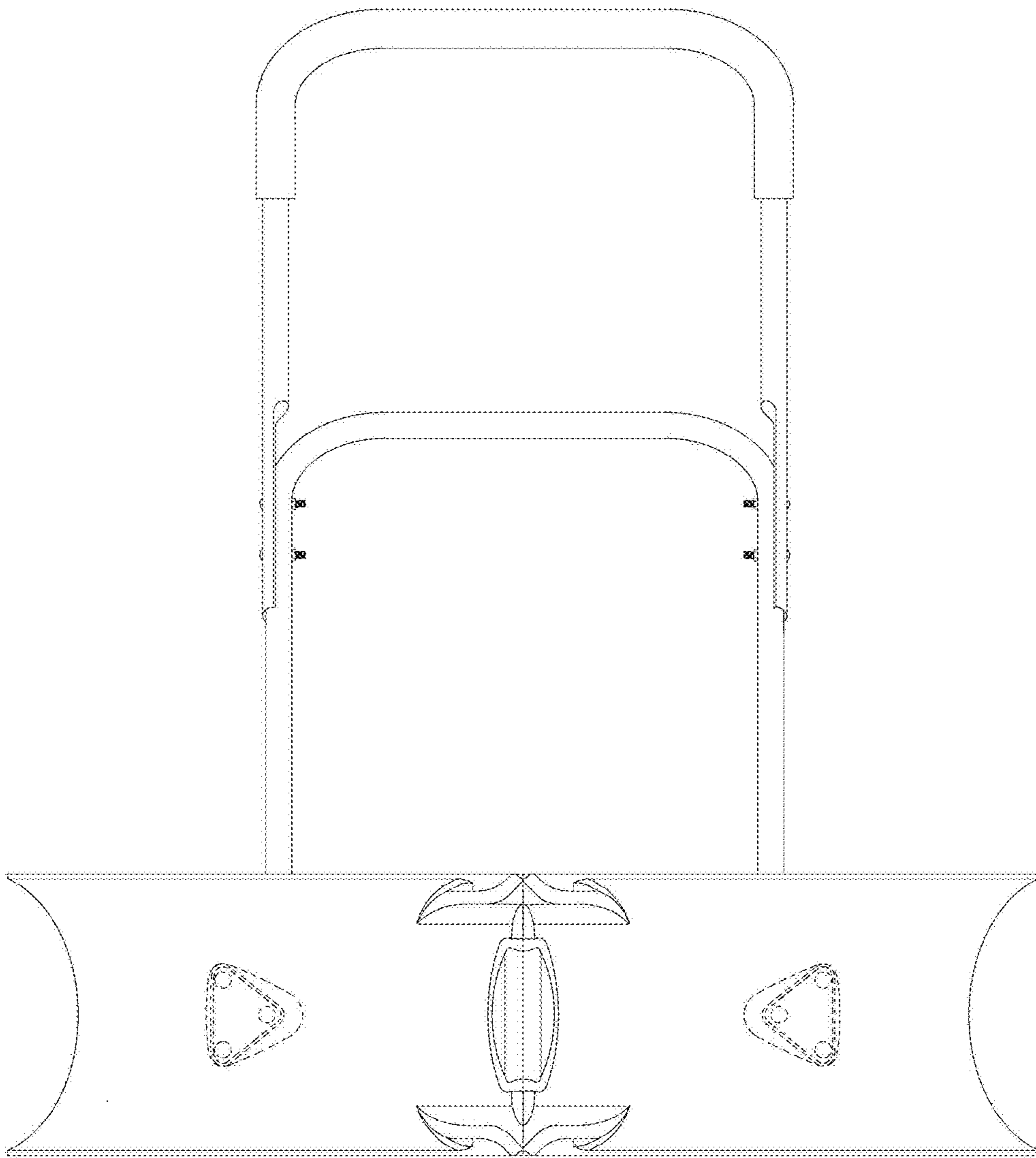


FIG. 2

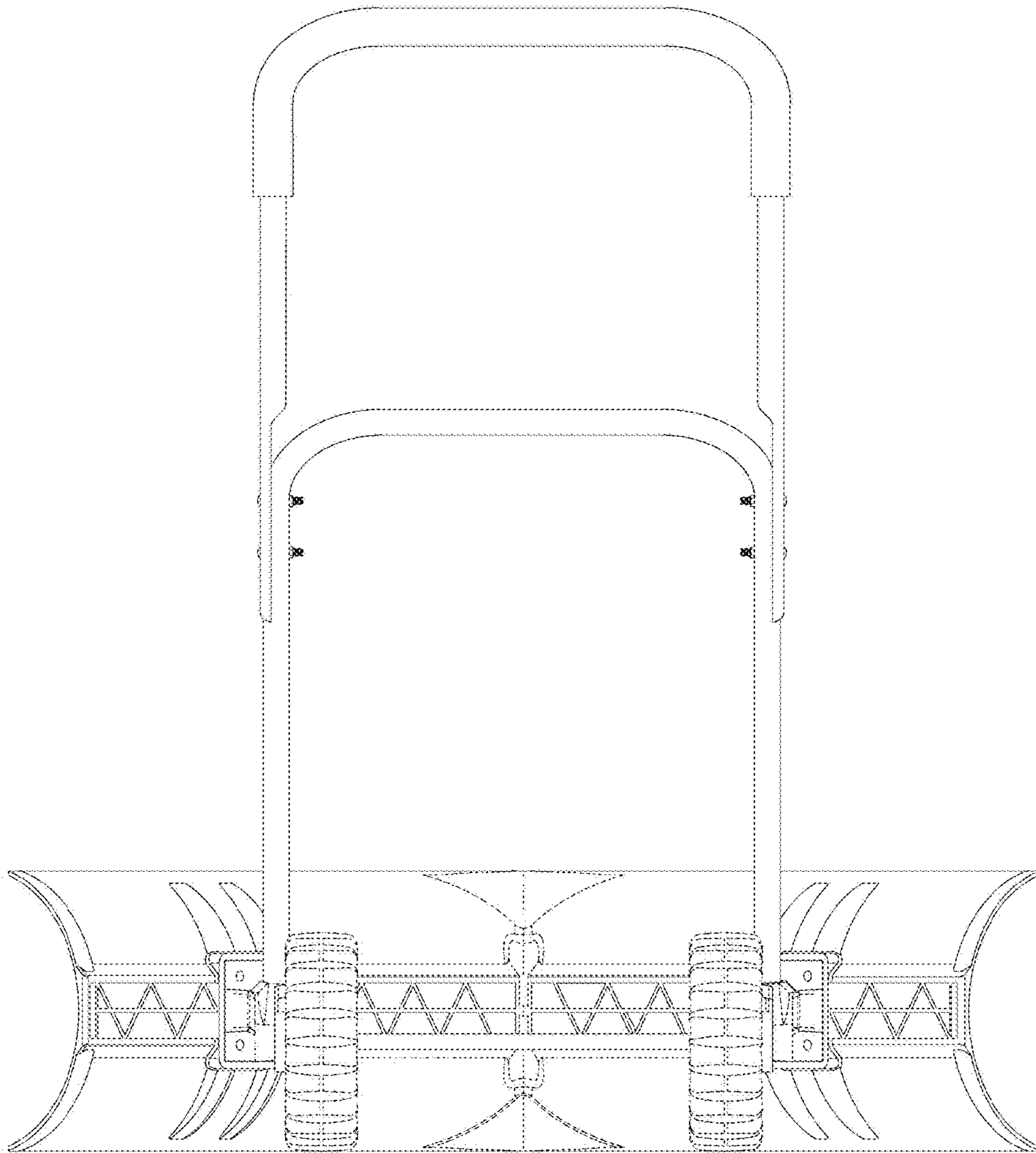


FIG. 3

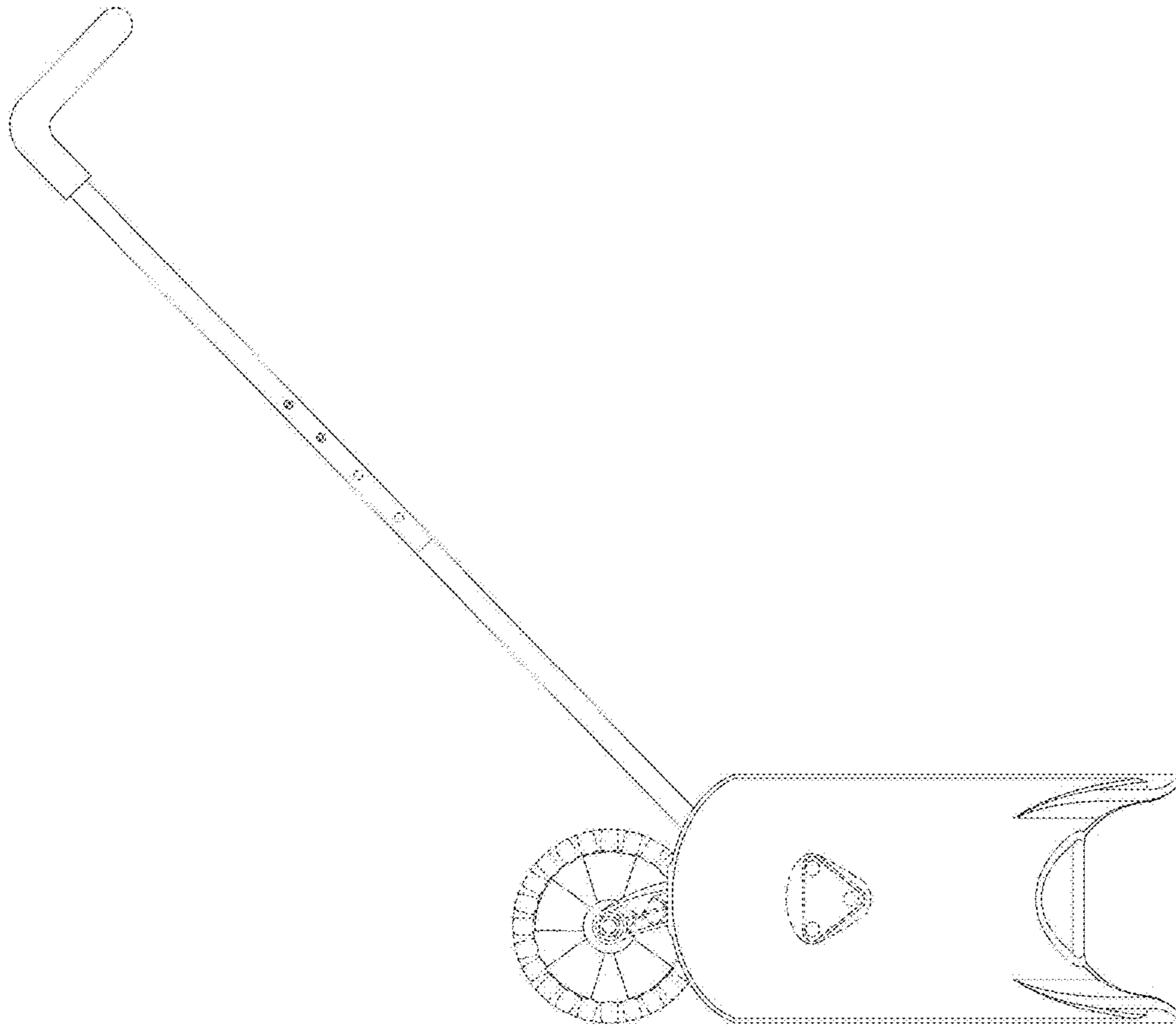


FIG. 4

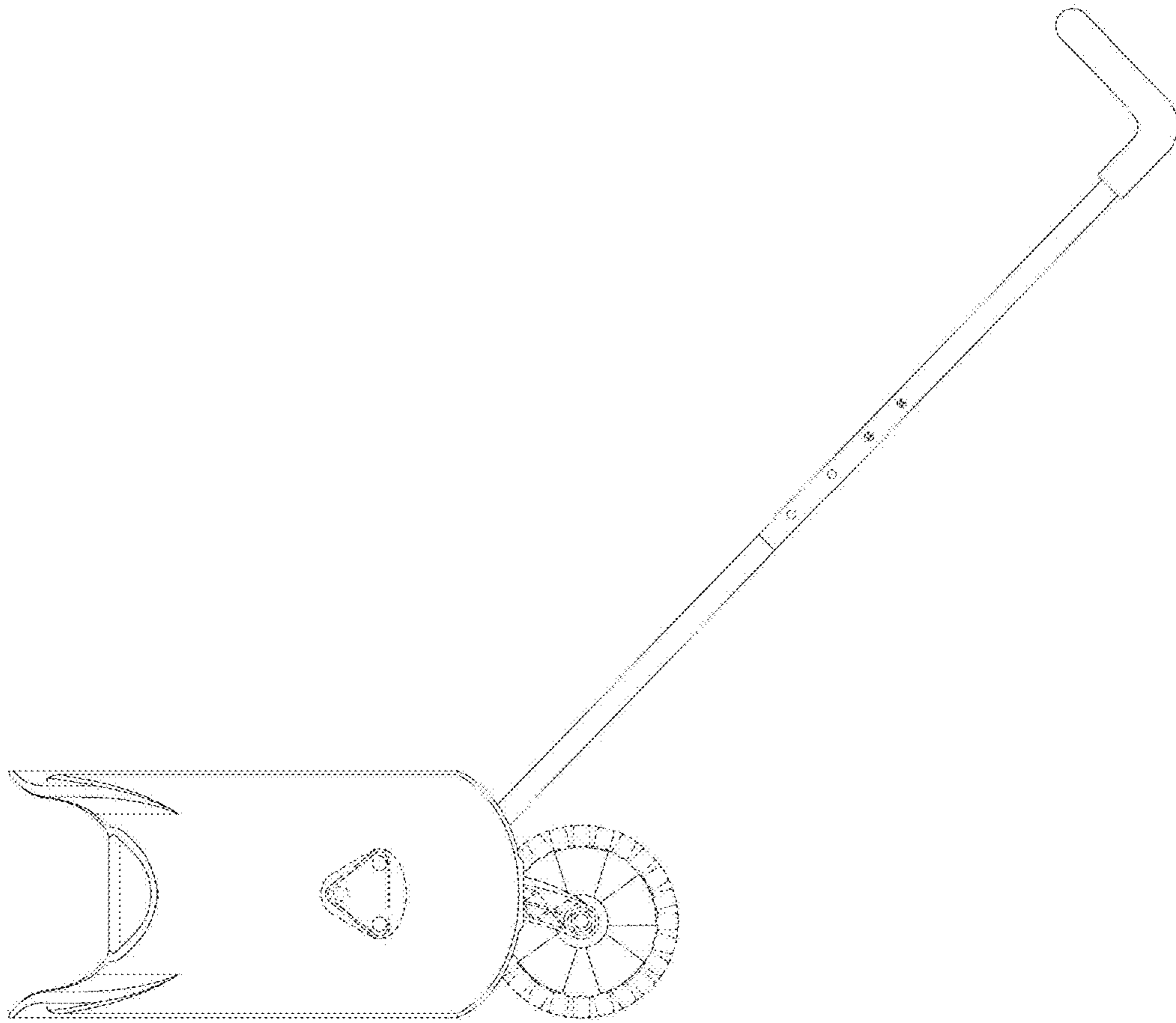


FIG. 5

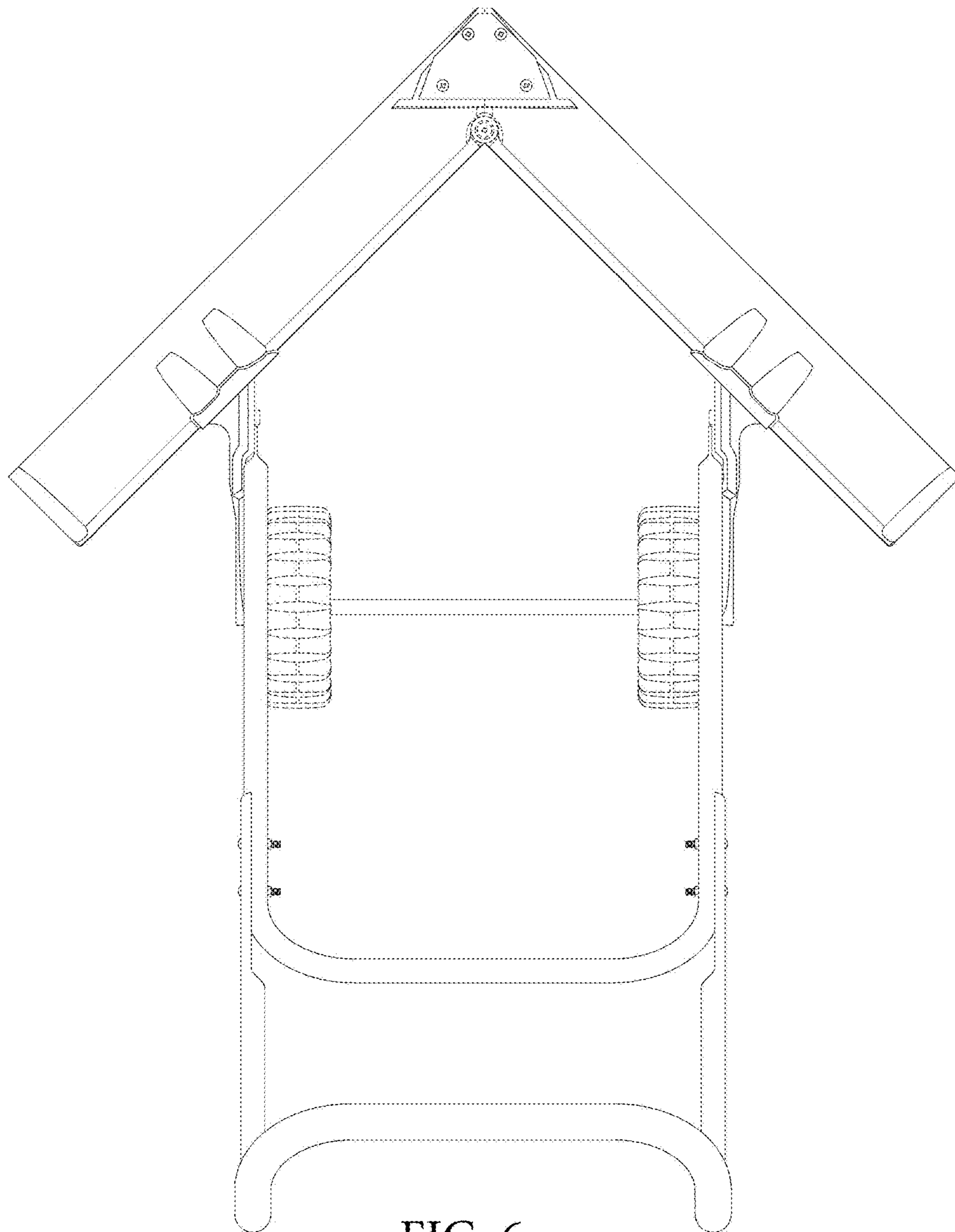


FIG. 6

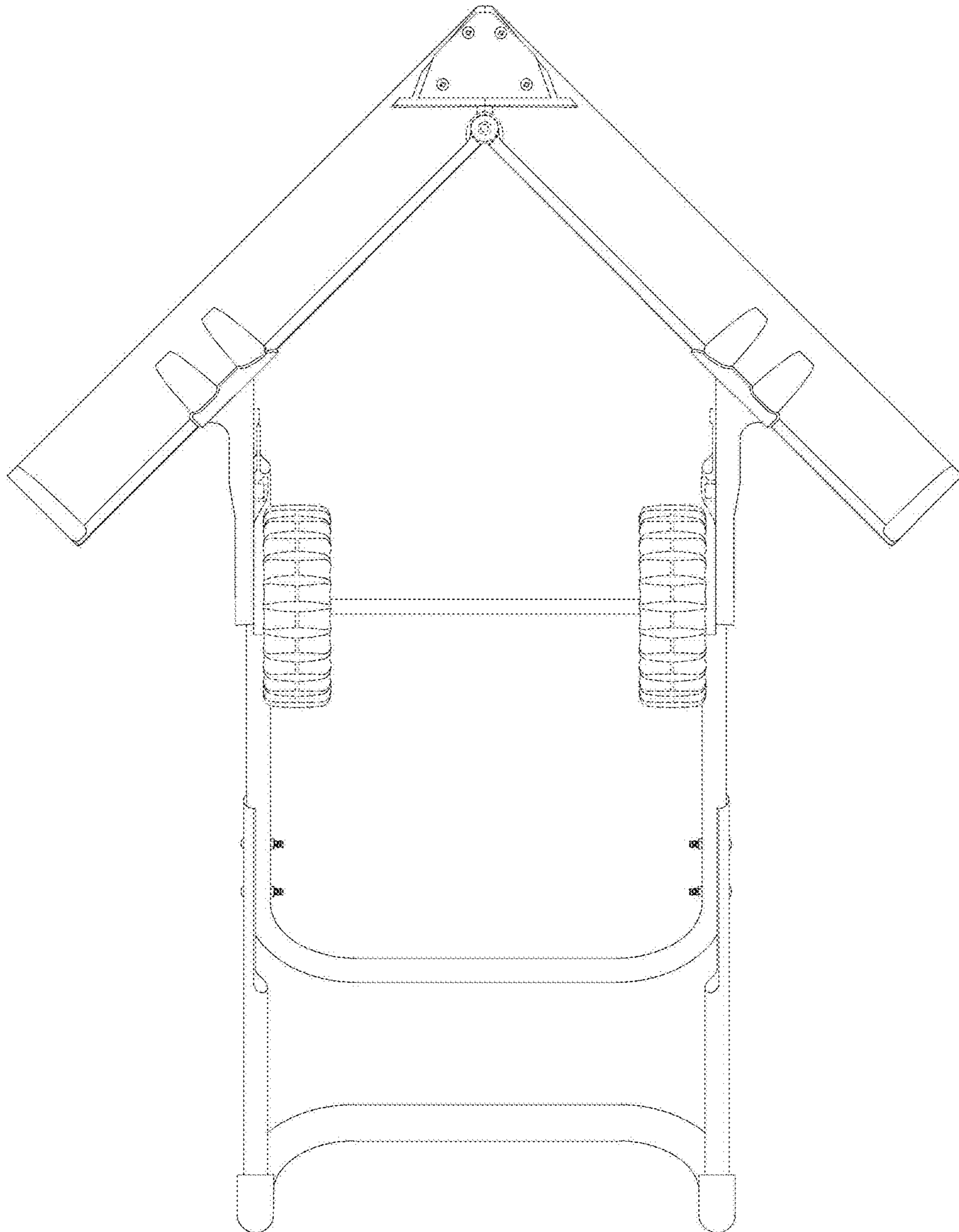


FIG. 7