



US00D815152S

(12) **United States Design Patent** (10) **Patent No.:** **US D815,152 S**
Berry et al. (45) **Date of Patent:** **** Apr. 10, 2018**

- (54) **FUEL TRANSFER PUMP**
- (71) Applicant: **TUTHILL CORPORATION**, Fort Wayne, IN (US)
- (72) Inventors: **Jacob J. Berry**, Uniondale, IN (US); **Nicholas Gregory Till**, Fort Wayne, IN (US); **Matthew Wenger**, Fort Wayne, IN (US); **Jennifer Stevens**, Fort Wayne, IN (US)
- (73) Assignee: **Tuthill Corporation**, Fort Wayne, IN (US)
- (**) Term: **15 Years**
- (21) Appl. No.: **29/581,708**
- (22) Filed: **Oct. 21, 2016**
- (51) **LOC (11) Cl.** **15-02**
- (52) **U.S. Cl.**
USPC **D15/7**
- (58) **Field of Classification Search**
USPC D15/7-9; D23/231, 232, 225; 417/60, 417/235, 265, 321, 355, 358, 363, 359, 417/410.1, 415-416, 405, 900, 269, 539; 60/408, 412; 184/26-37; 415/140-147; 123/495, 509; 137/565.34
CPC F02M 37/04; F02M 37/14; F04B 53/92; F04B 1/005
See application file for complete search history.

D644,555 S 9/2011 Dixon et al.
D680,133 S 4/2013 Hoehn et al.
D682,885 S * 5/2013 Varini D15/7
(Continued)

Primary Examiner — Ralf T Seifert
(74) *Attorney, Agent, or Firm* — Barnes & Thornburg LLP

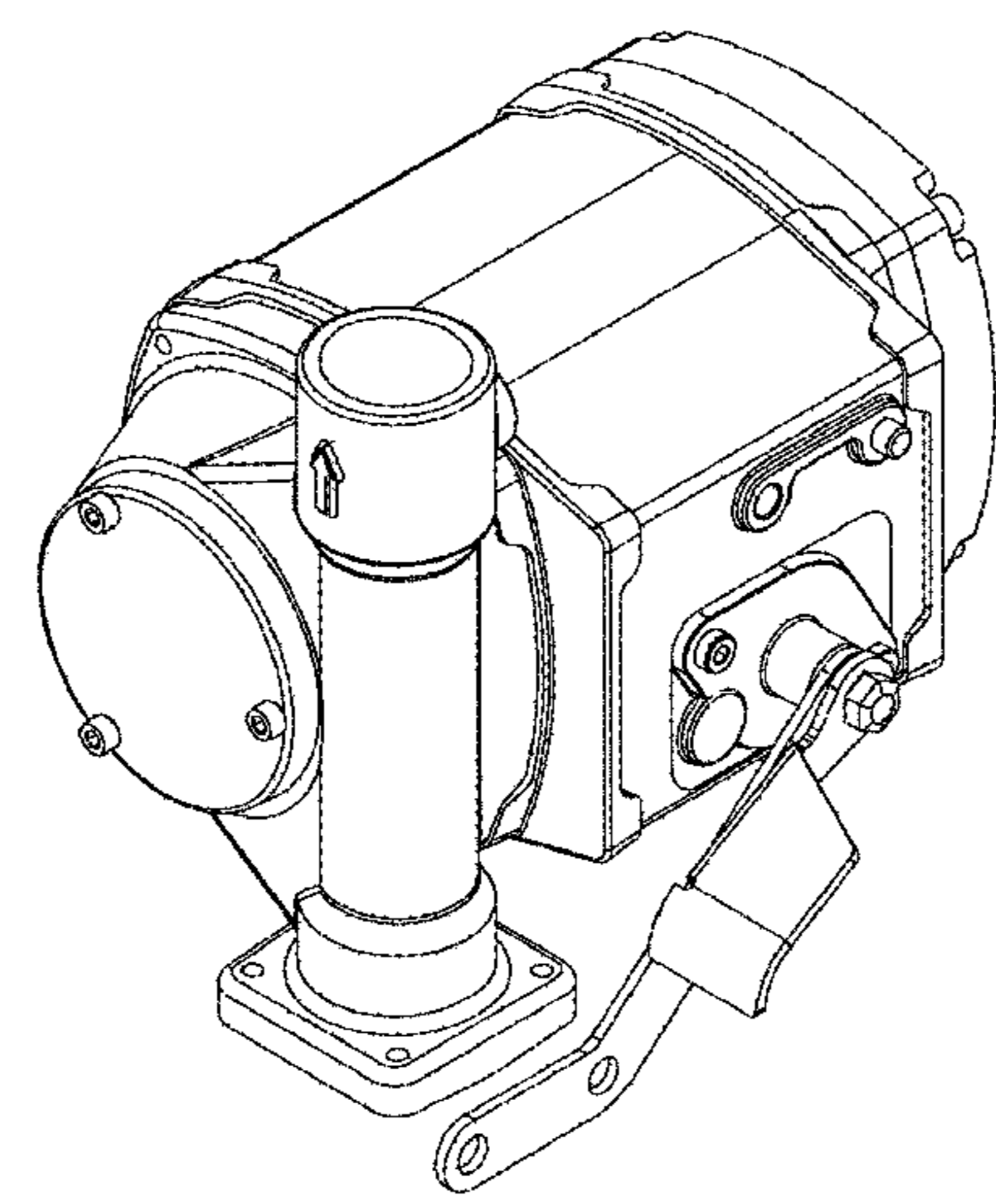
(57) **CLAIM**
An ornamental design for a fuel transfer pump, as shown and described.

DESCRIPTION

FIG. 1 is a right-hand perspective view of a design of a fuel transfer pump;
FIG. 2 is a left-hand perspective view of the fuel transfer pump of FIG. 1;
FIG. 3 is a right-hand underside perspective view of the fuel transfer pump of FIG. 1;
FIG. 4 is a left-hand underside perspective view of the fuel transfer pump of FIG. 1;
FIG. 5 is a right-hand rear perspective view of the fuel transfer pump of FIG. 1;
FIG. 6 is a right-hand rear underside perspective view of the fuel transfer pump of FIG. 1;
FIG. 7 is a top view of the fuel transfer pump of FIG. 1;
FIG. 8 is an underside view of the fuel transfer pump of FIG. 1;
FIG. 9 is a front view elevation of the fuel transfer pump of FIG. 1;
FIG. 10 is a right-hand elevation view of the fuel transfer pump of FIG. 1;
FIG. 11 is a rear elevation view of the fuel transfer pump of FIG. 1; and,
FIG. 12 is a left-hand elevation view of the fuel transfer pump of FIG. 1.
To the extent any broken lines are shown in any of the drawings, they are for purposes of illustrating portions of the fuel transfer pump and form no part of the claimed design.

- (56) **References Cited**
U.S. PATENT DOCUMENTS
D538,826 S 3/2007 Kienzle
D541,817 S 5/2007 Puls
D543,217 S * 5/2007 Puls D15/7
D589,983 S * 4/2009 Sinico D15/7
D613,769 S 4/2010 Kitamura et al.
D613,770 S 4/2010 Kitamura et al.
D629,423 S 12/2010 Varini
D644,251 S 8/2011 Serita

1 Claim, 12 Drawing Sheets



(56)

References Cited

U.S. PATENT DOCUMENTS

D684,998 S * 6/2013 Southwood D15/7
D697,532 S * 1/2014 Varini D15/7

* cited by examiner

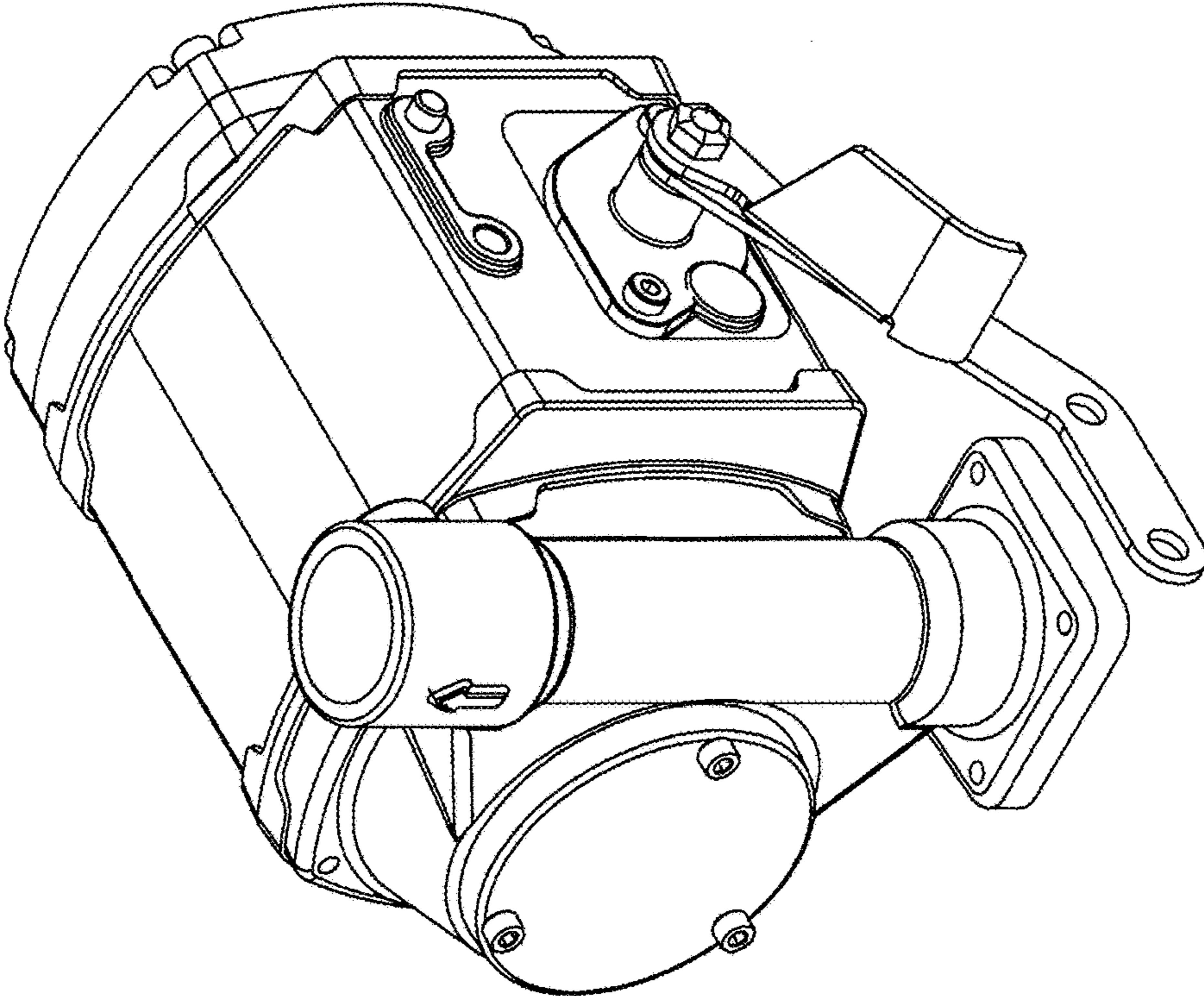


Fig. 1

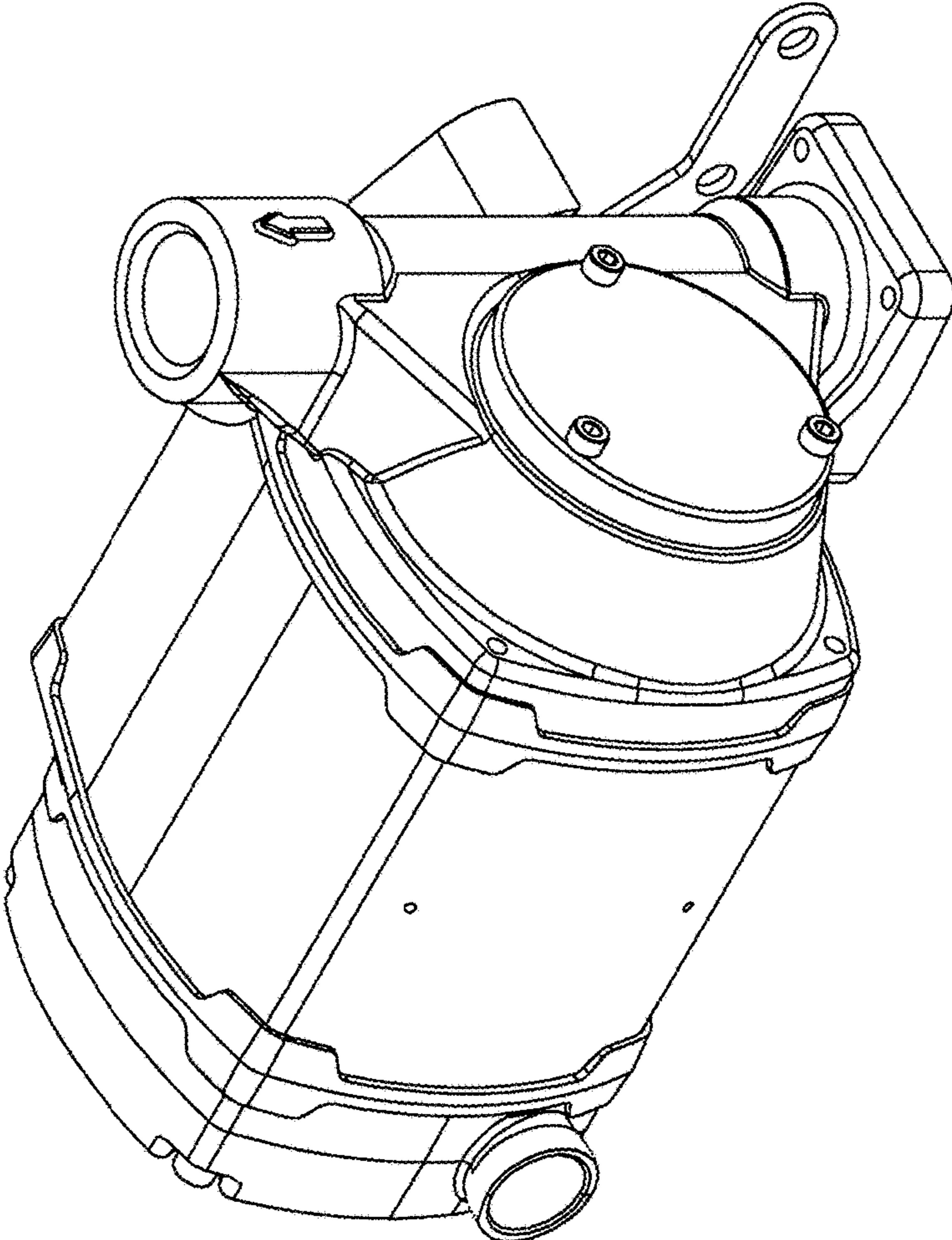


Fig. 2

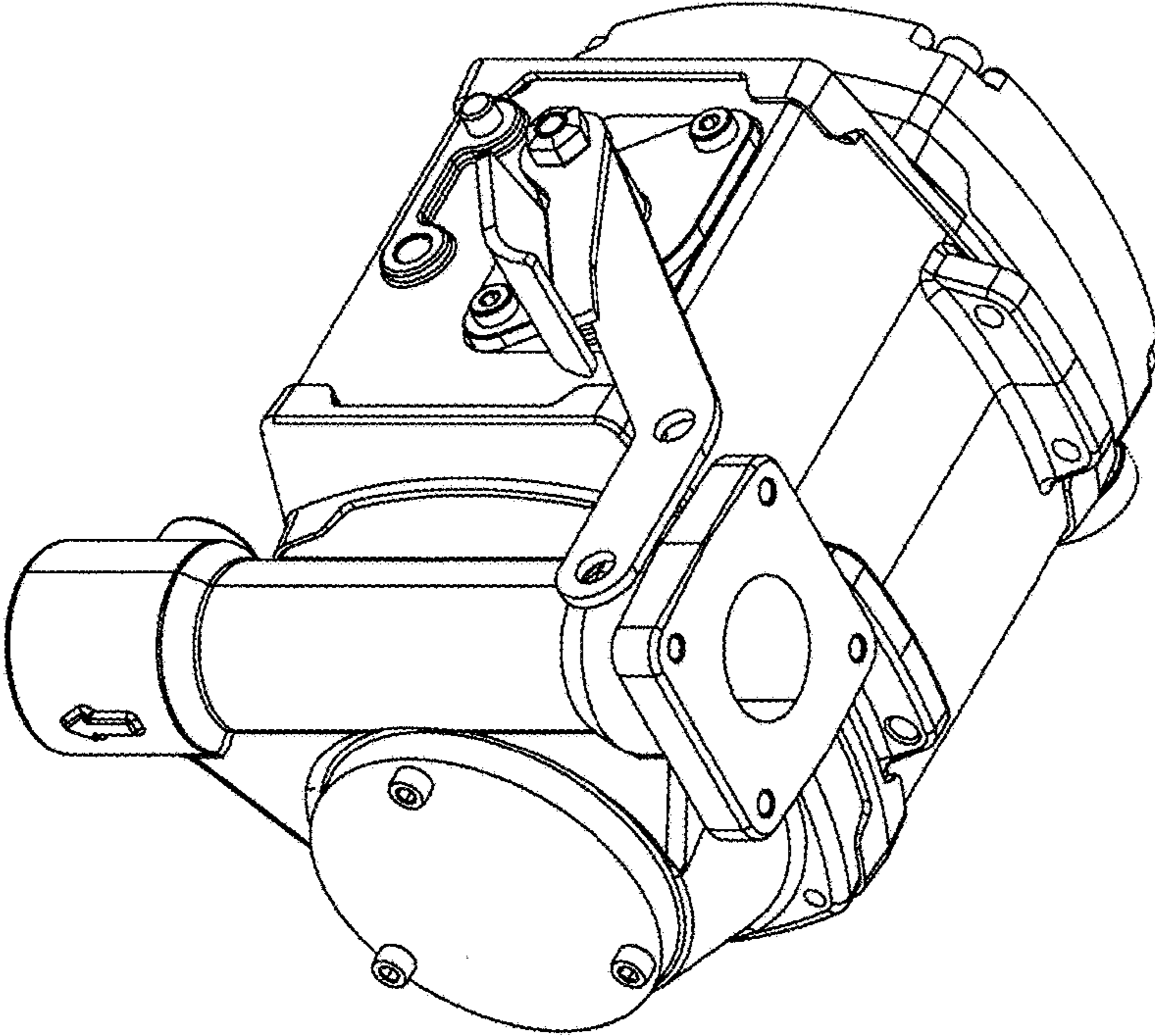


Fig. 3

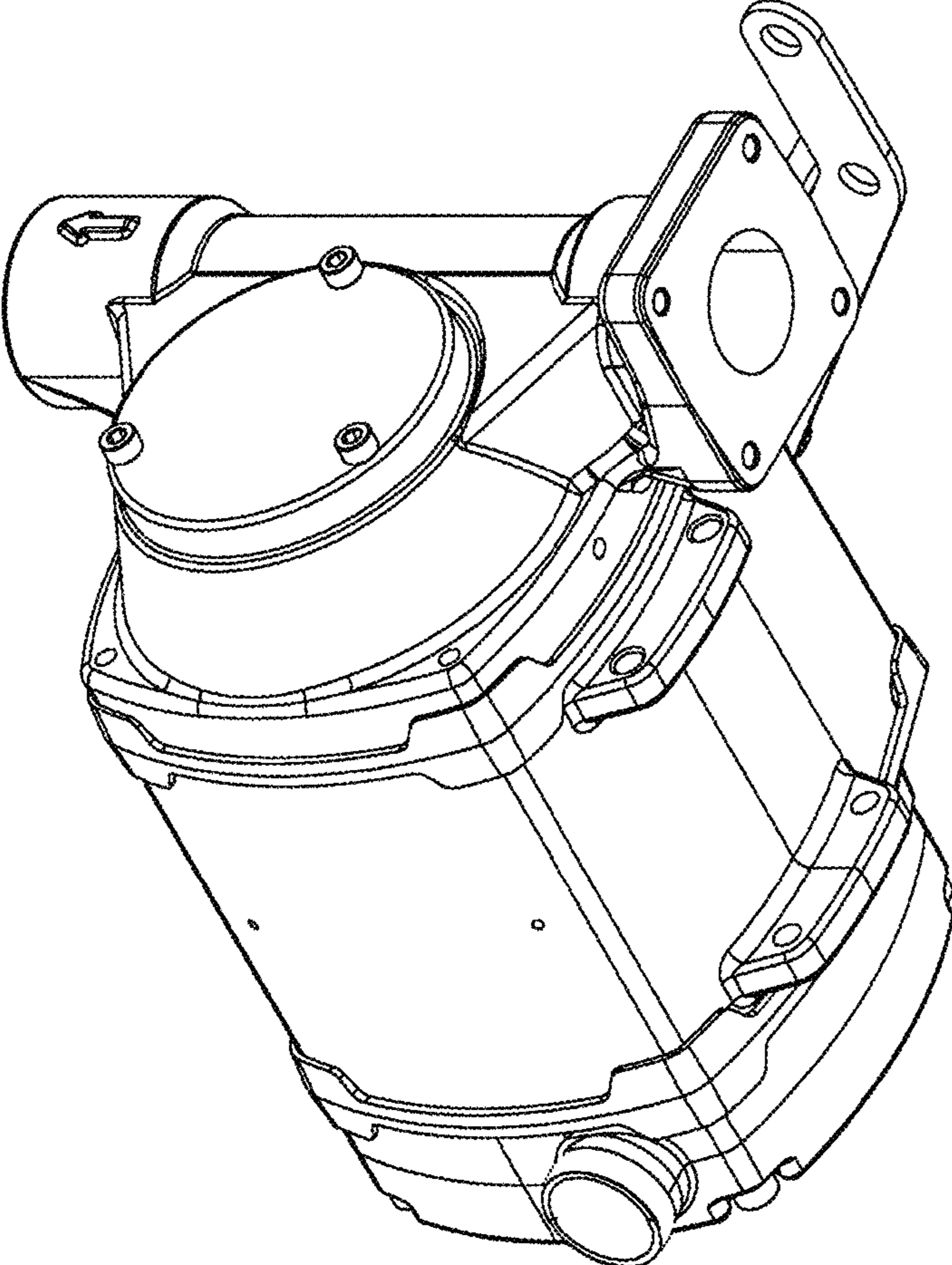


Fig. 4

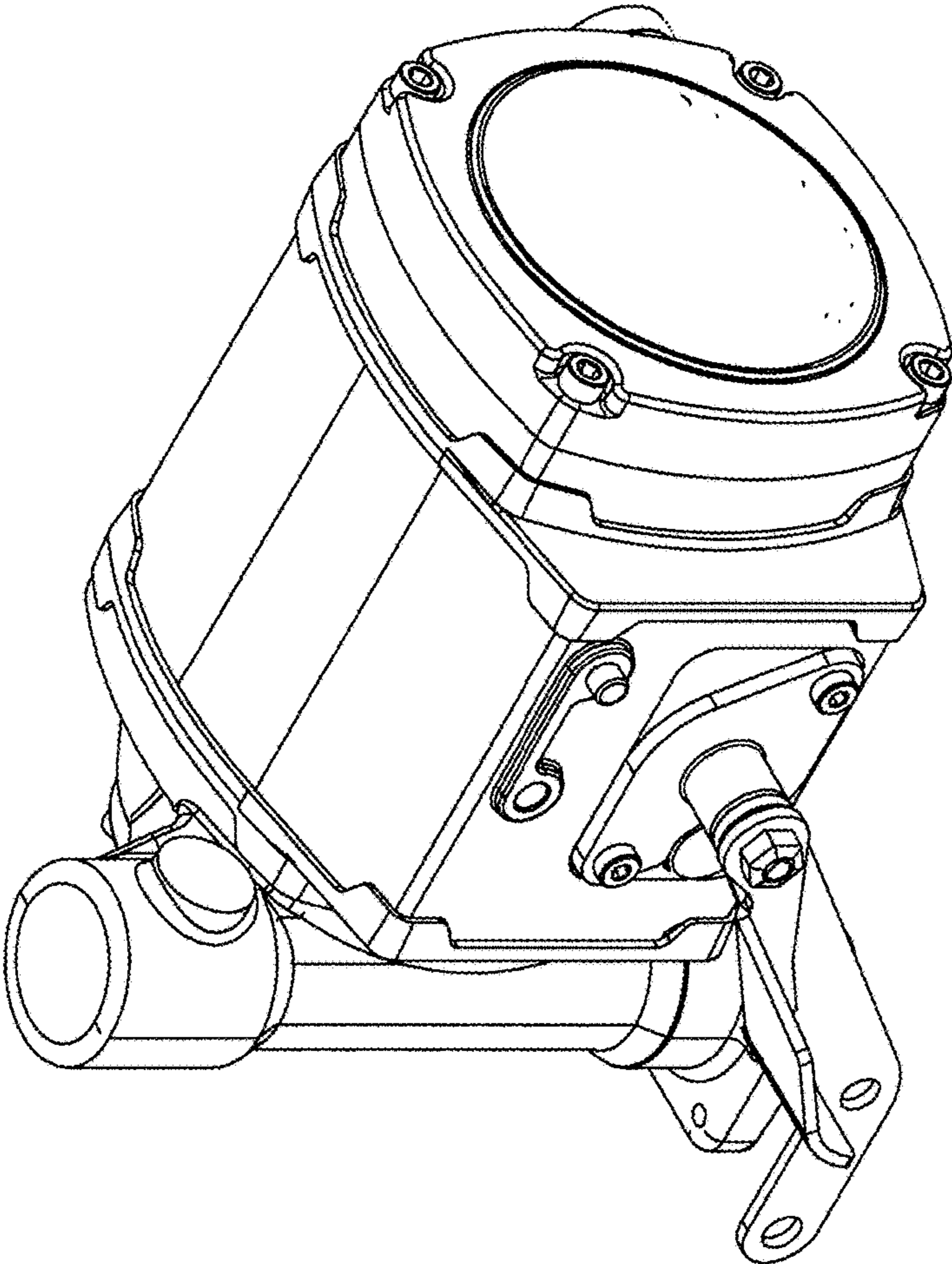


Fig. 5

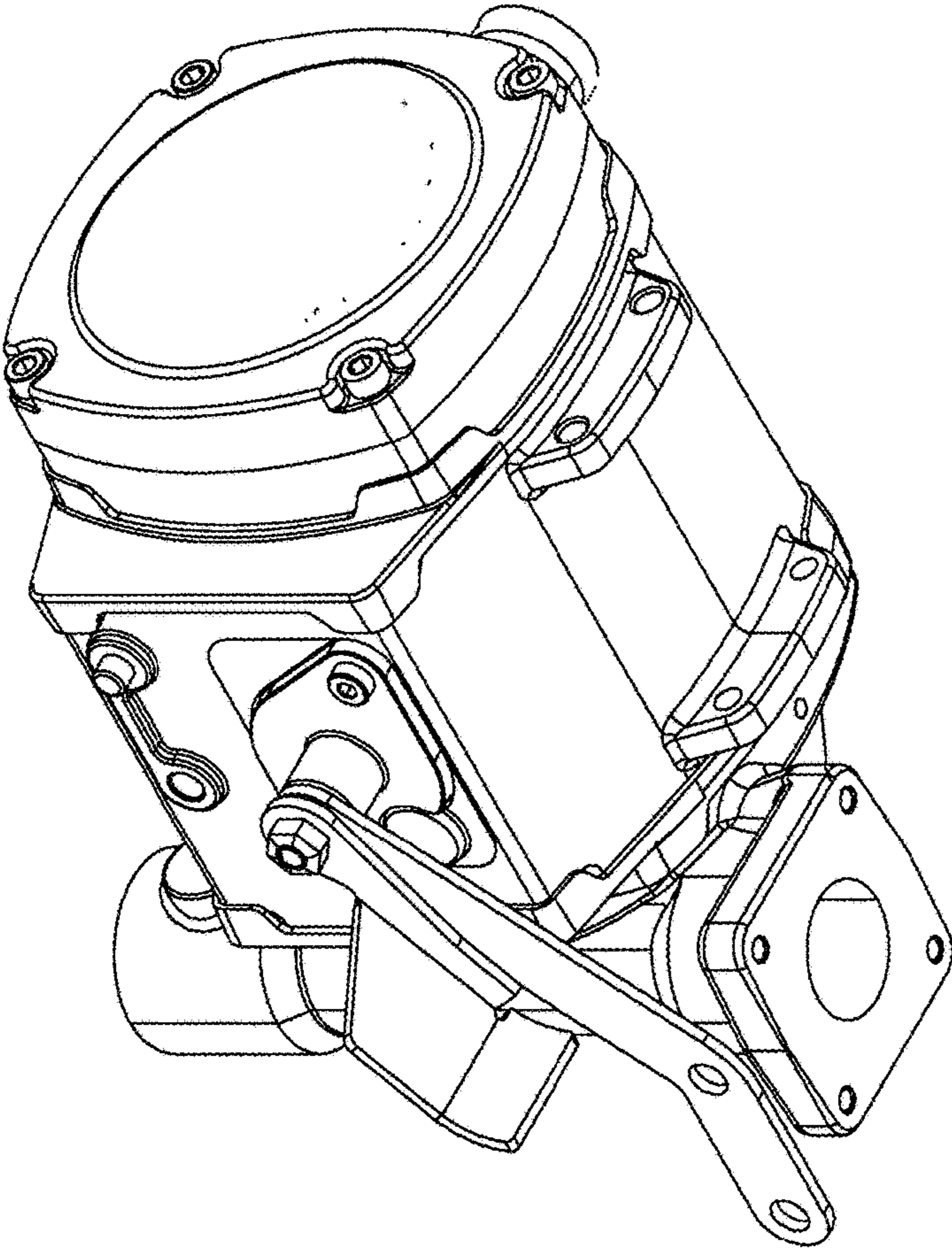


Fig. 6

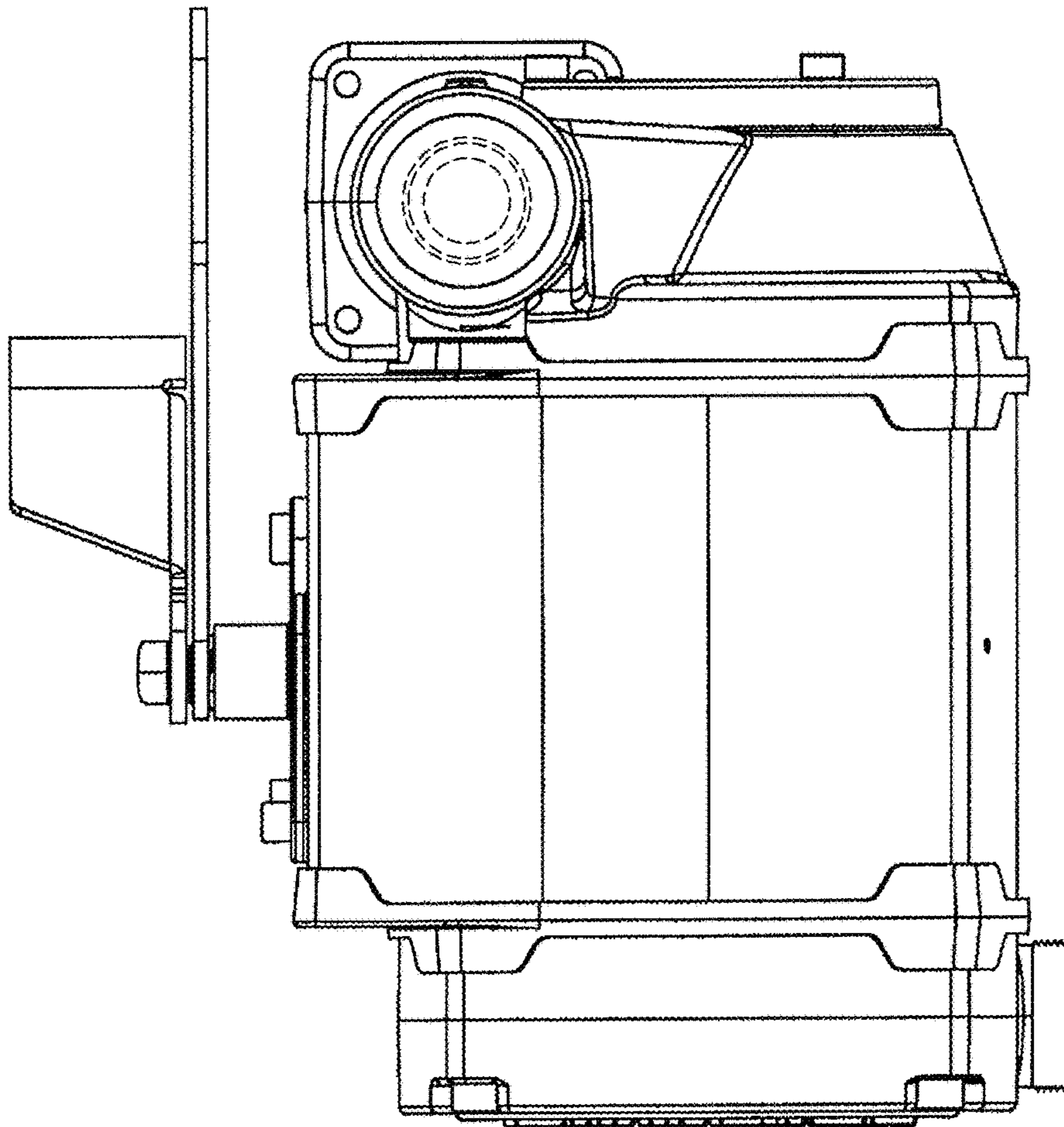


FIG. 7

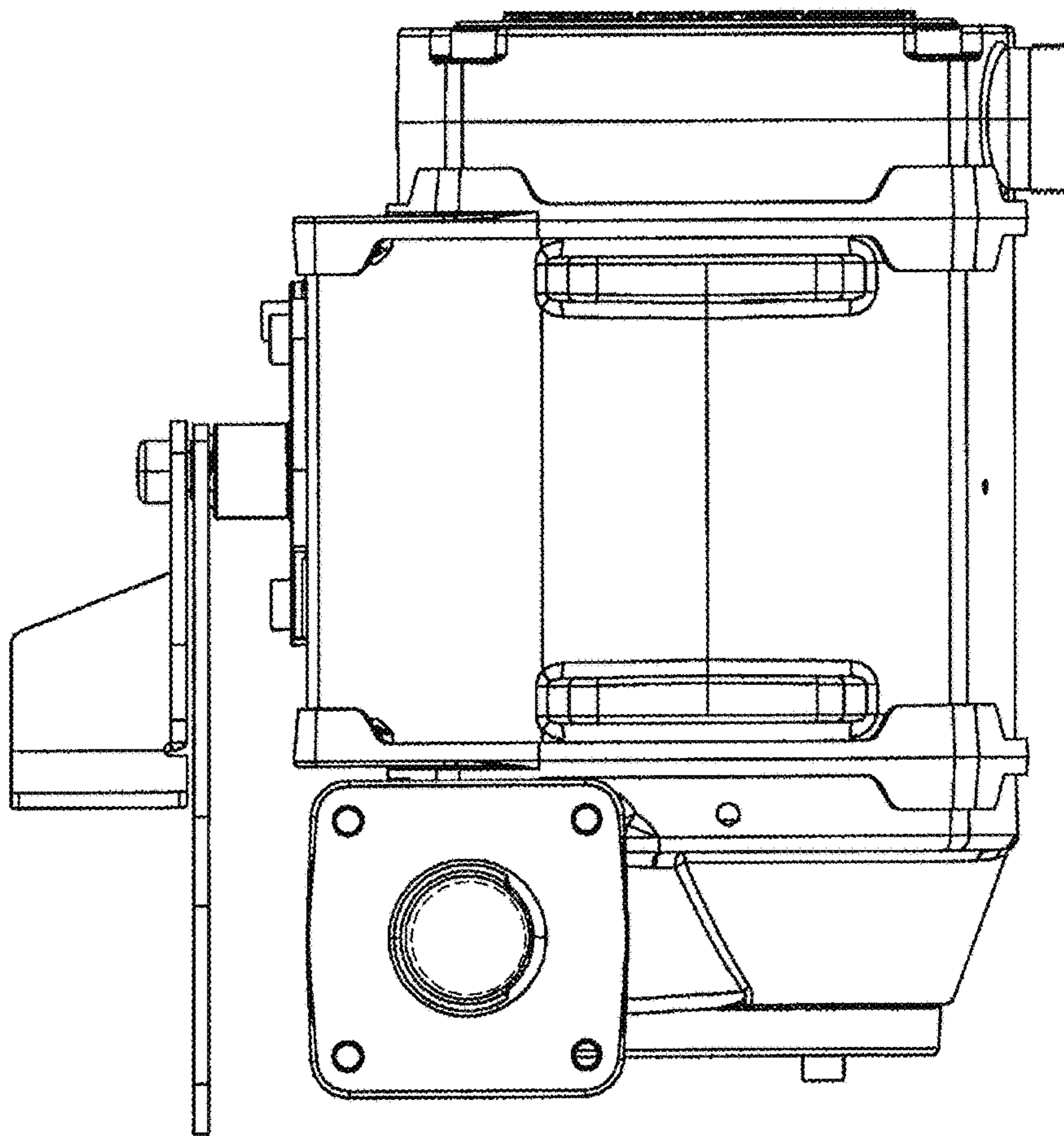


FIG. 8

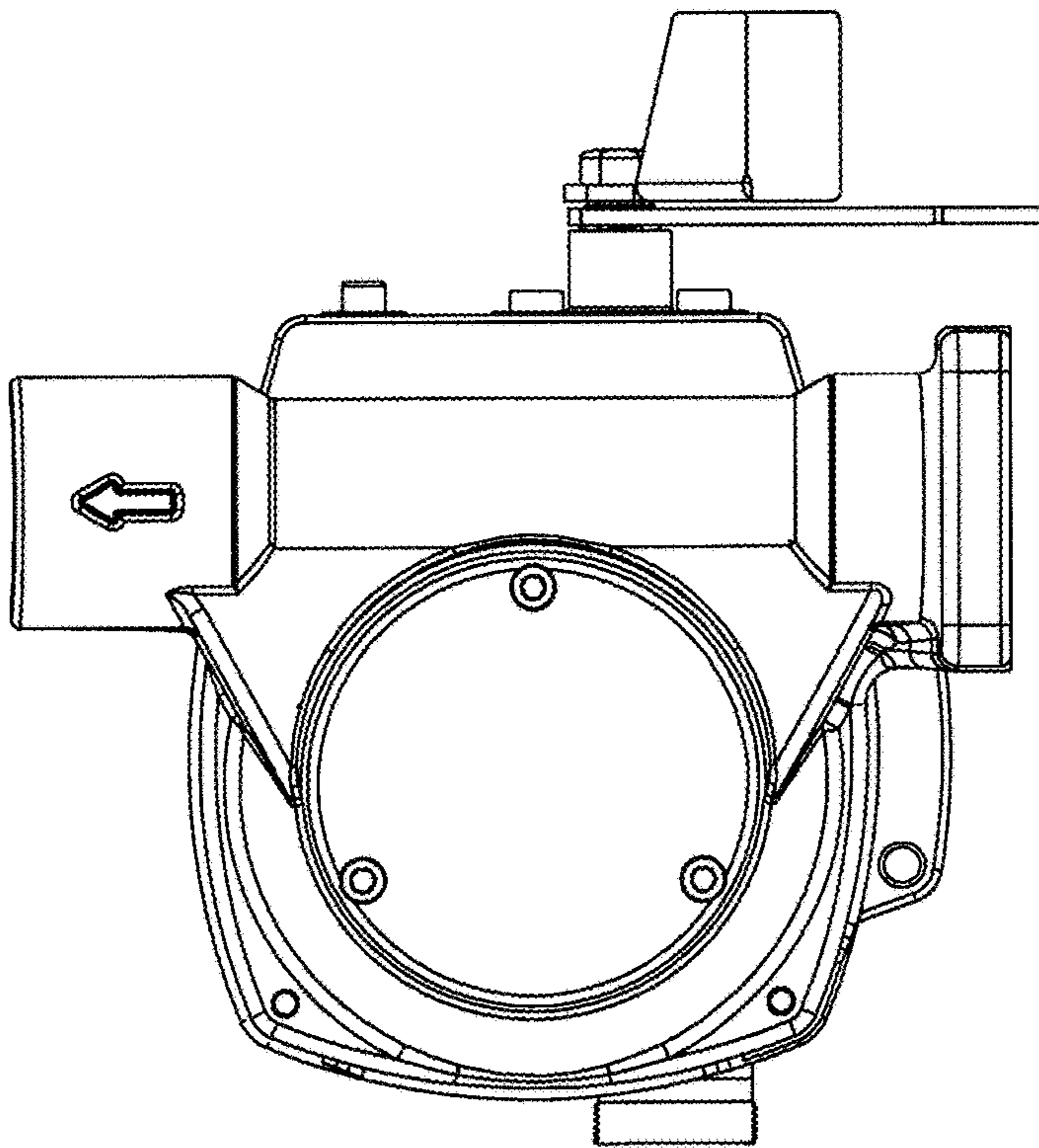


Fig. 9

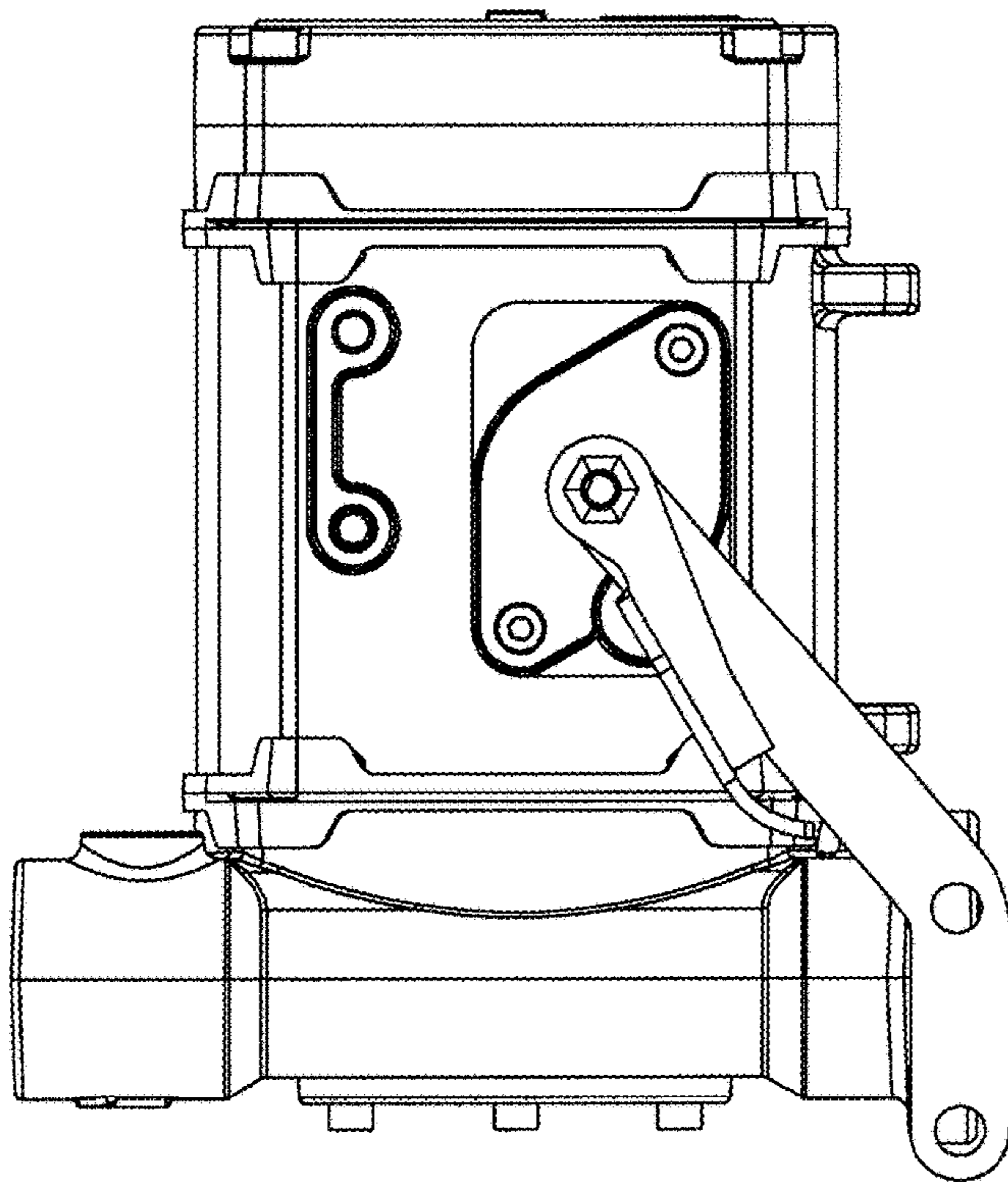


Fig. 10

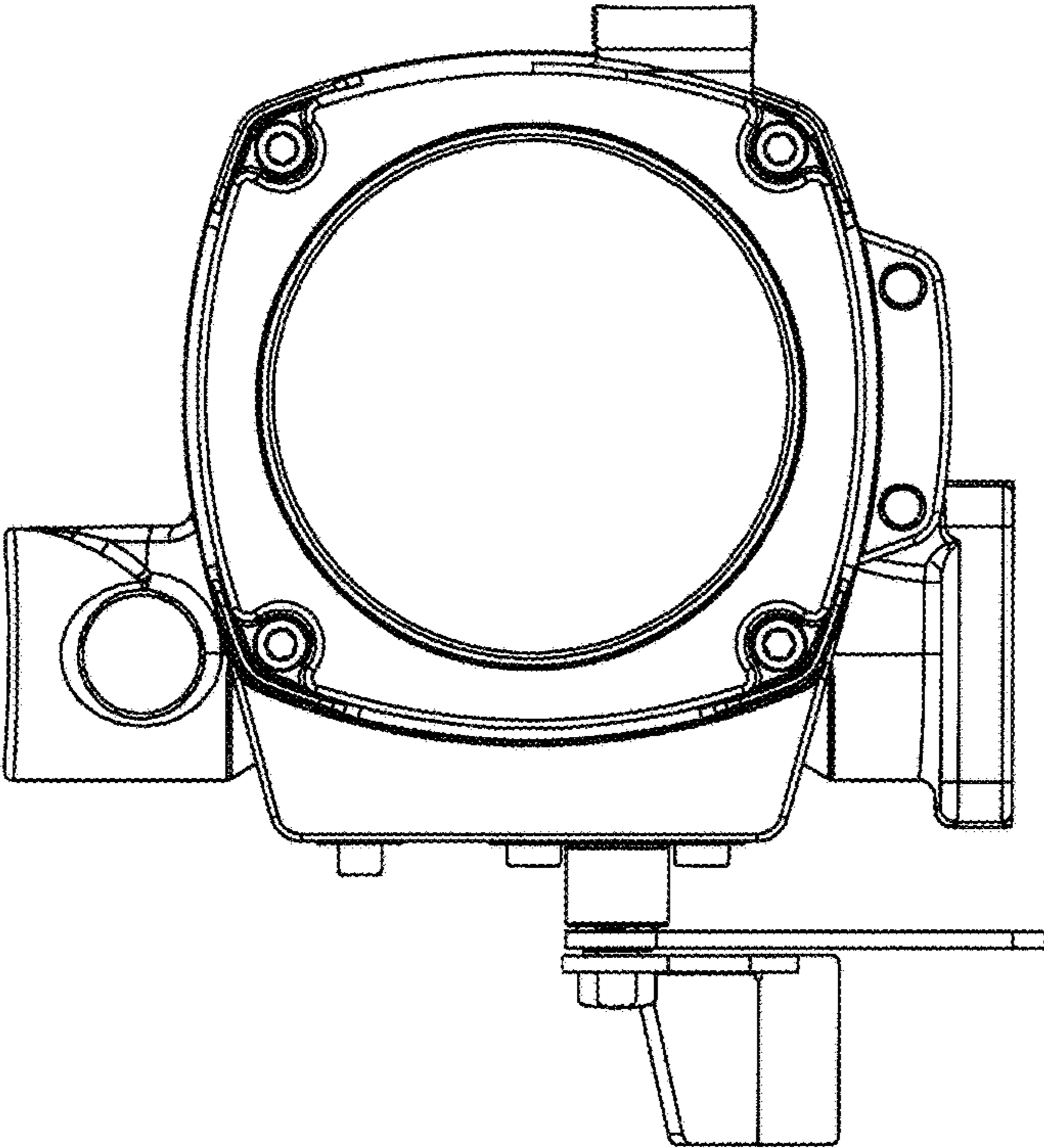


Fig. 11

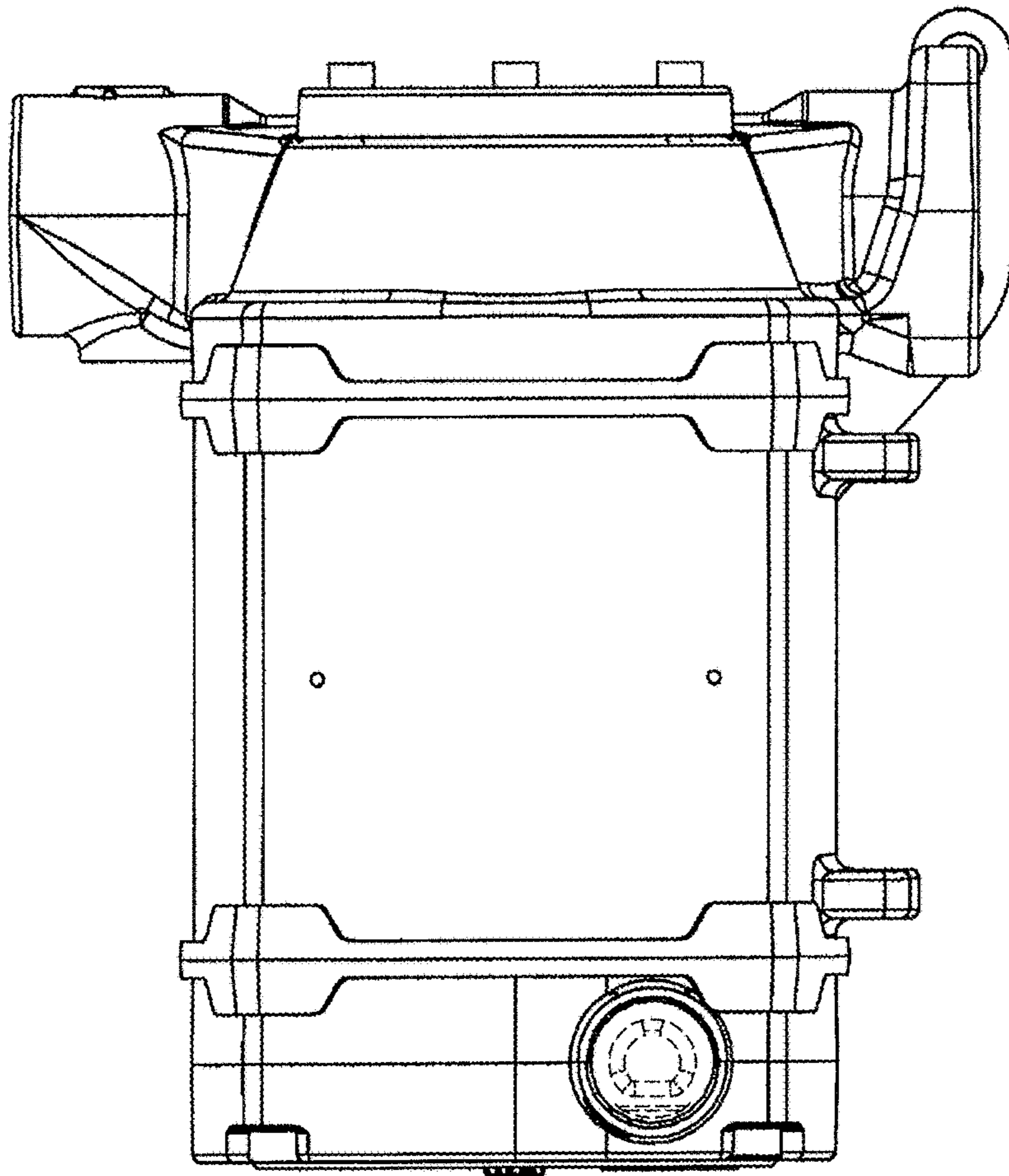


FIG. 12