



US00D815151S

(12) **United States Design Patent**
Layton

(10) **Patent No.:** **US D815,151 S**
(45) **Date of Patent:** **** Apr. 10, 2018**

(54) **DIESEL ENGINE FUEL FILTER MOUNTING BRACKET**

(71) Applicant: **Jim Layton**, Wilcox, AZ (US)

(72) Inventor: **Jim Layton**, Wilcox, AZ (US)

(**) Term: **15 Years**

(21) Appl. No.: **29/583,977**

(22) Filed: **Nov. 10, 2016**

(51) **LOC (11) Cl.** **15-01**

(52) **U.S. Cl.**
USPC **D15/5**

(58) **Field of Classification Search**
USPC D15/1, 2, 3, 4, 5; D8/349, 354, 355,
D8/363, 366, 371, 373, 380, 381, 382,
D8/499; D12/223; D25/68
CPC B01D 2201/4023; B01D 2201/4038; B01D
2201/40; B01D 35/306; B01D 35/308
See application file for complete search history.

(56) **References Cited**

U.S. PATENT DOCUMENTS

D59,397 S * 10/1921 Wilson D15/5
RE16,093 E * 6/1925 Wilson D15/143

D268,093 S * 3/1983 Wenczl D8/381
D378,749 S * 4/1997 Miller D12/223
D394,632 S * 5/1998 Miller D12/223
D398,283 S * 9/1998 Miller D12/223
D616,287 S * 5/2010 Lavoie D8/354
D672,287 S * 12/2012 Noble D12/159
9,284,031 B1 * 3/2016 Pelini B63H 20/06
2016/0153411 A1 * 6/2016 Underwood F02M 37/22
248/213.2

* cited by examiner

Primary Examiner — T. Chase Nelson

Assistant Examiner — Ania Aman

(74) *Attorney, Agent, or Firm* — Steve M. McLary;
Jeffrey D. Myers; Peacock Law P.C.

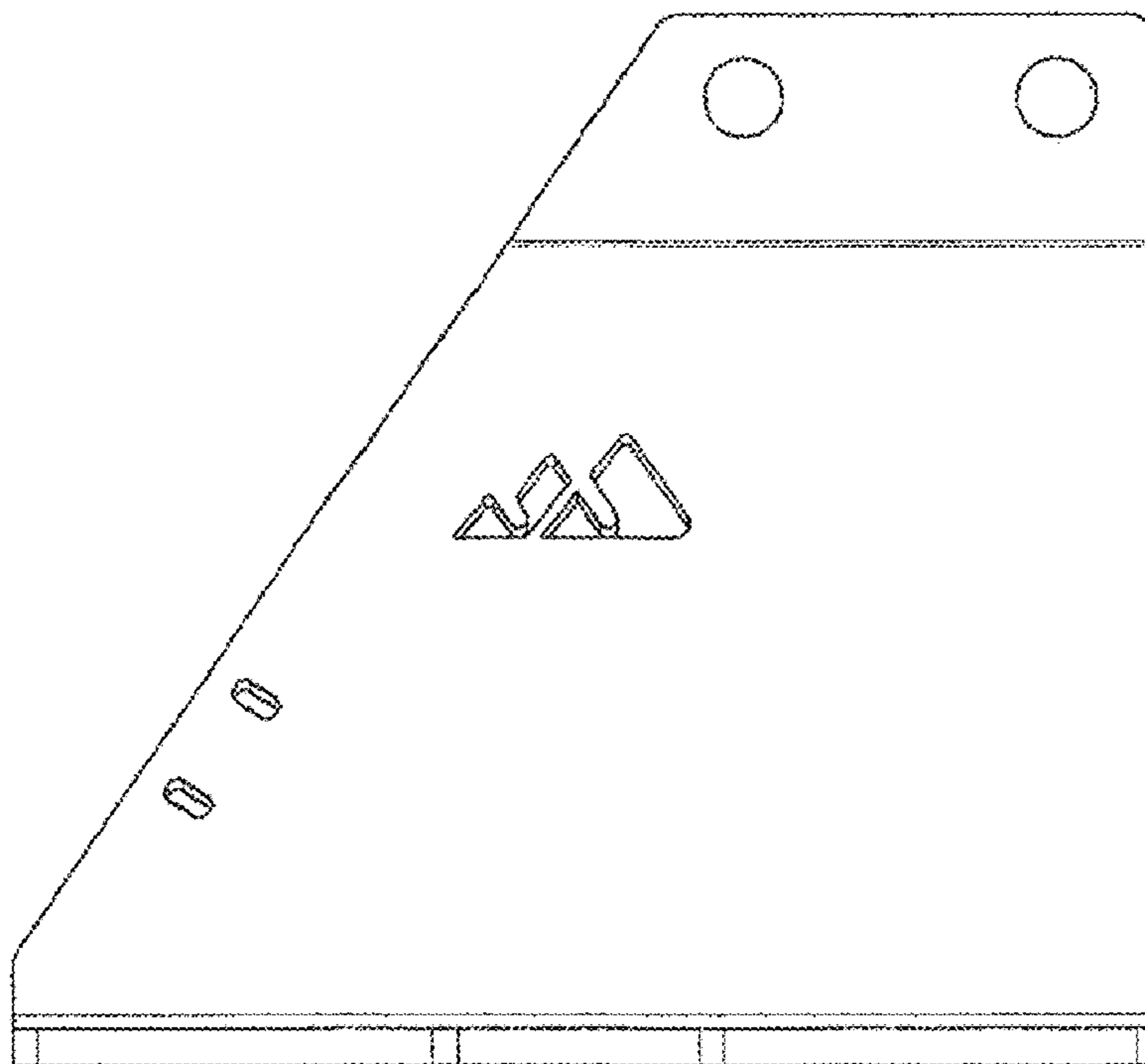
(57) **CLAIM**

The ornamental design for a diesel engine fuel filter mounting bracket, as shown and described.

DESCRIPTION

FIG. 1 is an elevation view of the diesel engine fuel filter mounting bracket showing my new design;
FIG. 2 is a top view thereof;
FIG. 3 is an end view thereof;
FIG. 4 is an elevation view of a blank thereof; and,
FIG. 5 is an end view of FIG. 4.

1 Claim, 2 Drawing Sheets



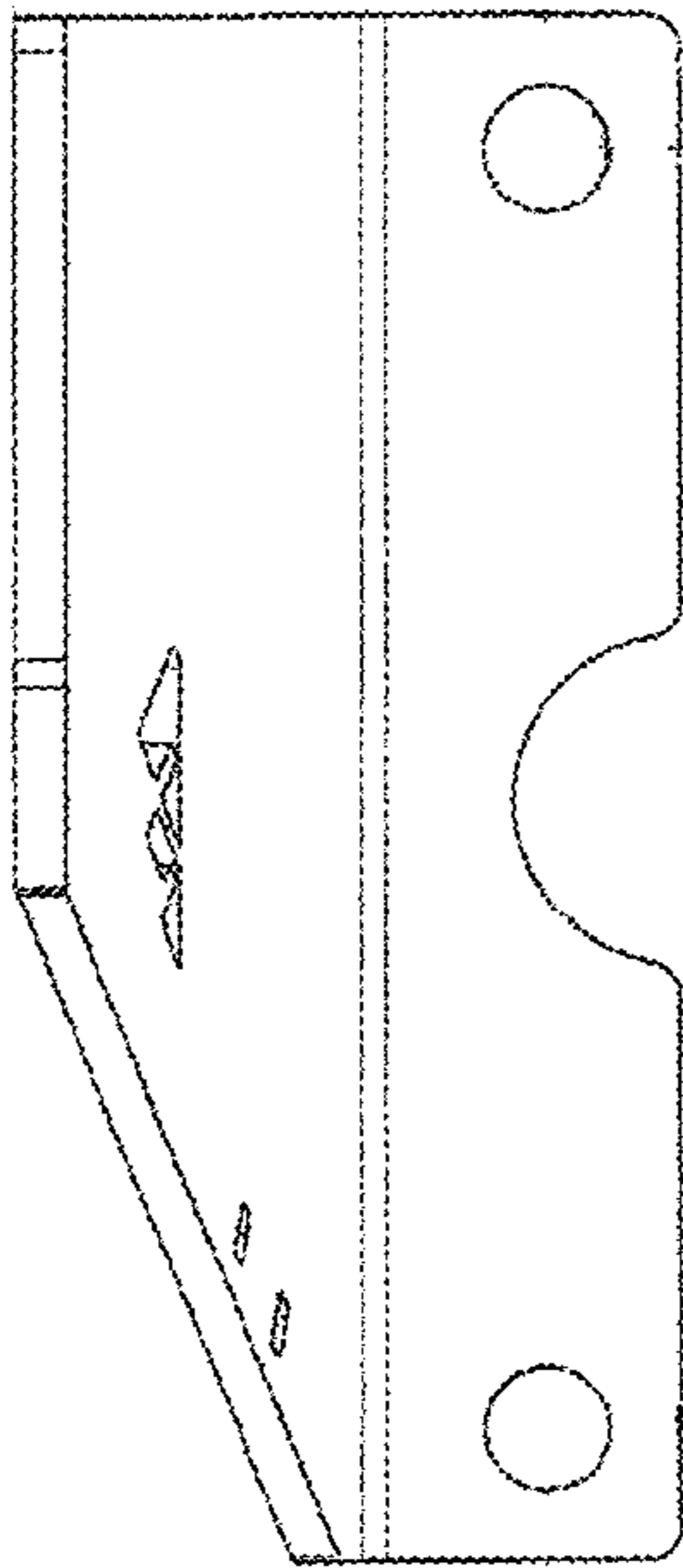


FIG. 2

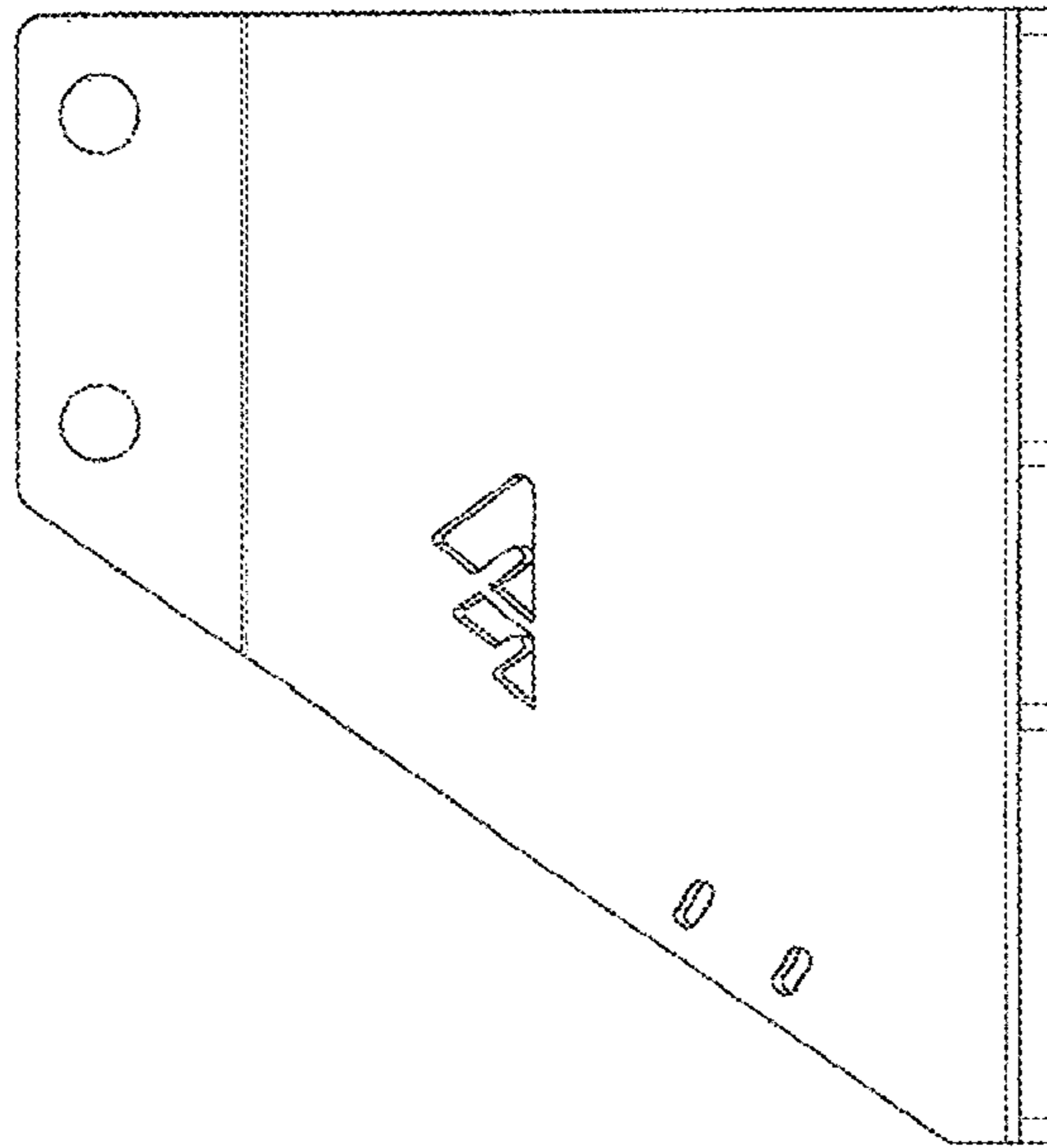


FIG. 1

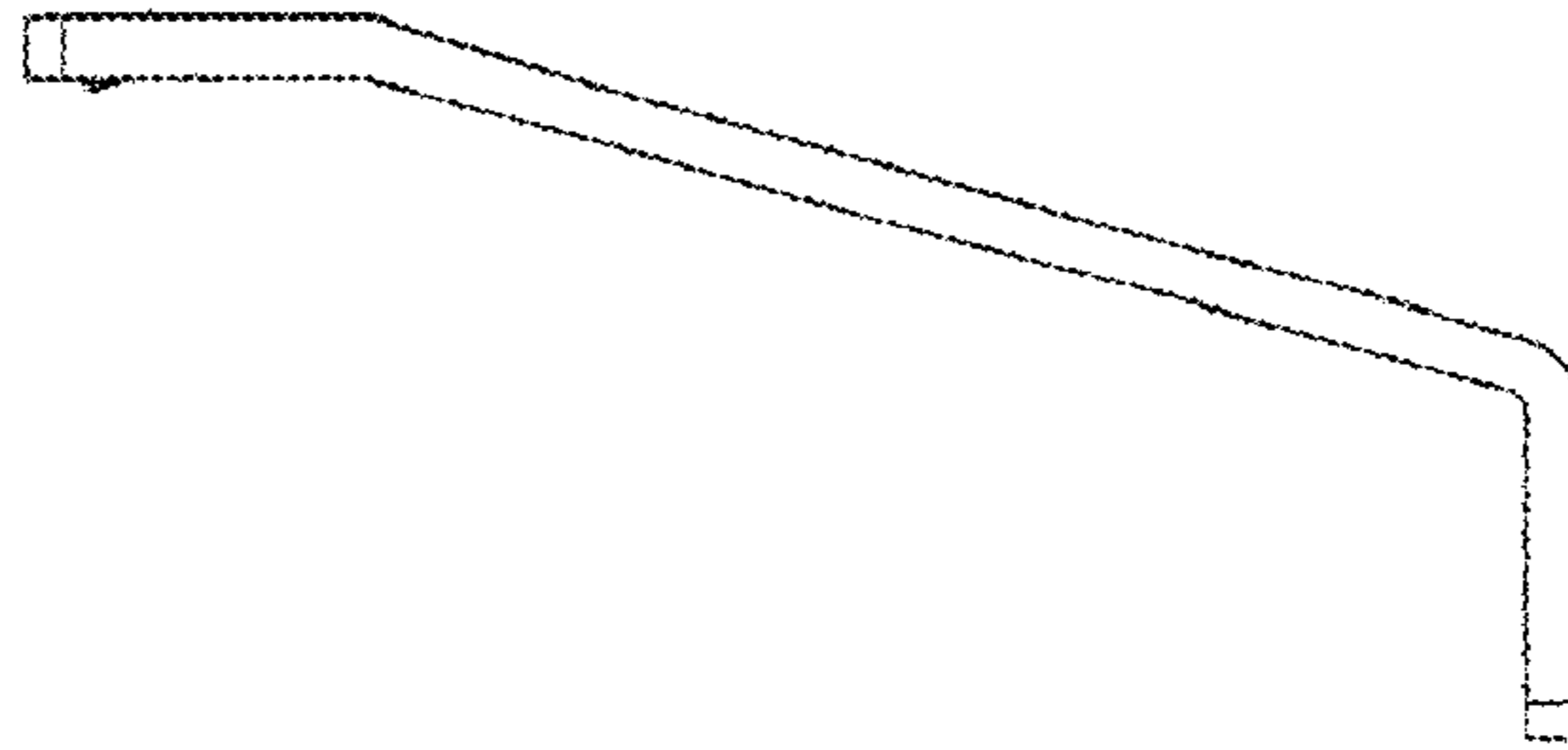


FIG. 3

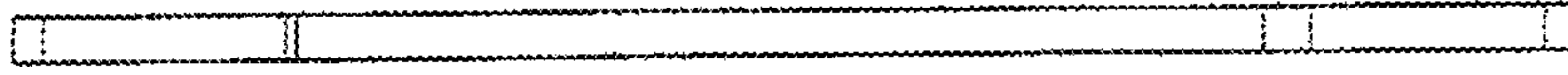


FIG. 5

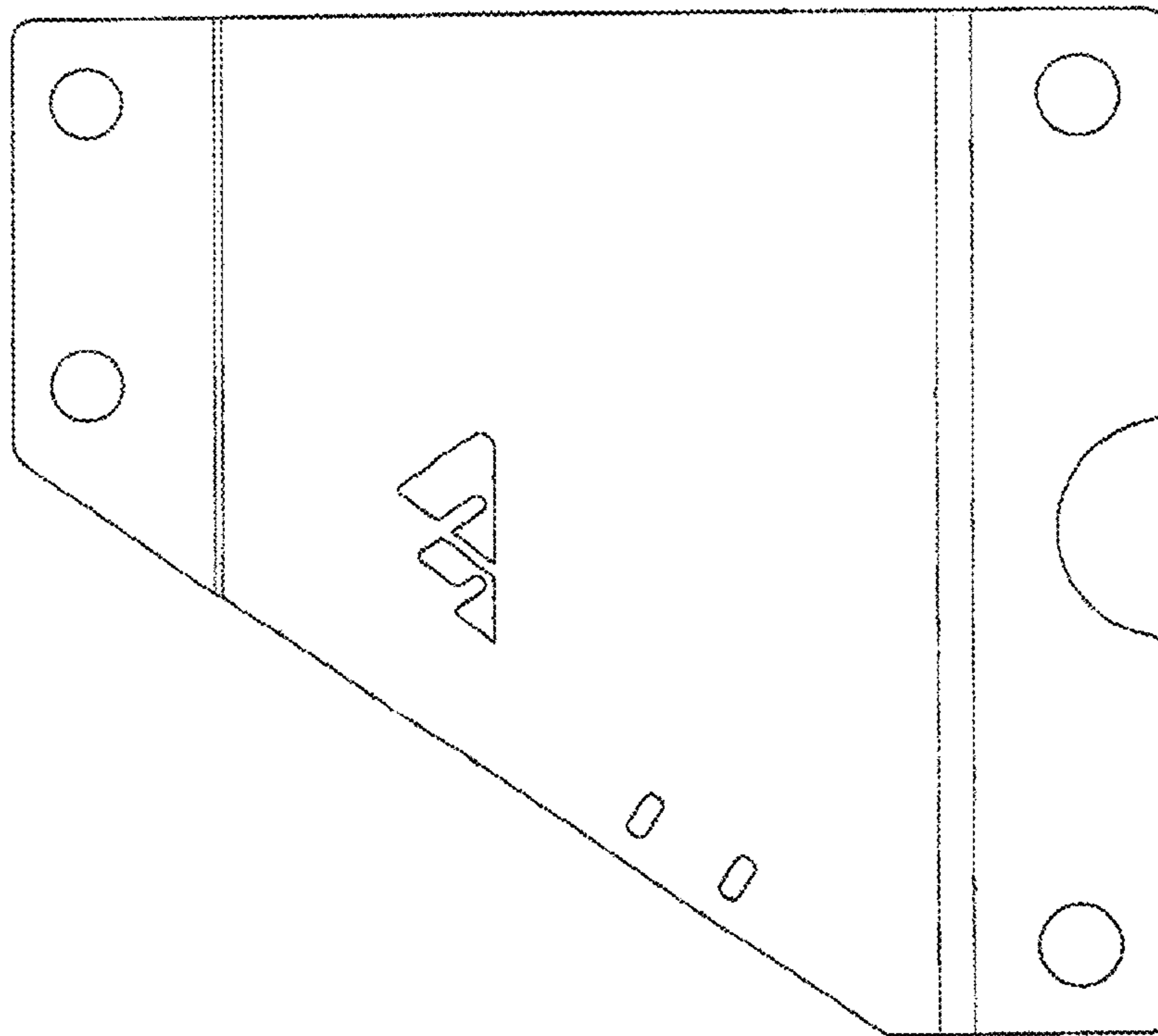


FIG. 4