



US00D815150S

(12) **United States Design Patent** (10) **Patent No.:** **US D815,150 S**
Hu (45) **Date of Patent:** **** Apr. 10, 2018**

(54) **WHITE NOISE SOUND MACHINE** 4,991,688 A * 2/1991 Kery H04R 1/026
181/145
(71) Applicant: **MPOW TECHNOLOGY CO.,** D381,019 S * 7/1997 Muller D24/231
LIMITED, Hong Kong (HK) D440,557 S * 4/2001 Su D14/215
D567,224 S * 4/2008 Laituri D14/216
(72) Inventor: **Zaihui Hu, Shenzhen (CN)** D611,926 S * 3/2010 Lev D14/168
D651,618 S * 1/2012 Barley D14/496
(73) Assignee: **MPOW TECHNOLOGY CO.,** D654,281 S * 2/2012 Miller D6/368
LIMITED, Hong Kong (HK) D724,053 S * 3/2015 Breines D14/207
D731,465 S * 6/2015 Khubani
(**) Term: **15 Years** D751,531 S * 3/2016 Bearsch D14/207
D766,456 S * 9/2016 Luc D24/231
D807,327 S * 1/2018 Xiong D14/216

(21) Appl. No.: **29/628,025**

(22) Filed: **Nov. 30, 2017**

(30) **Foreign Application Priority Data**

Oct. 2, 2017 (EP) 004382729

(51) **LOC (11) Cl.** **14-03**

(52) **U.S. Cl.**
USPC **D14/496; D14/216**

(58) **Field of Classification Search**

USPC D14/204, 218, 172, 219-216, 209.1, 496,
D14/137, 168, 181, 185, 188, 299, 221;
181/143, 147, 148, 150, 157, 198, 199,
181/166, 144; 381/300-303, 306, 332,
381/333, 336, 345, 361-364, 370,
381/386-388; 455/344-351;
84/609-614, 634-638; 434/307 A, 307 R,
434/308, 318; 352/1, 6-10; 369/1, 2,
369/6-12

CPC . H04R 1/02; H04R 1/026; H04R 3/00; H04R
11/02; H04R 19/02

See application file for complete search history.

(56) **References Cited**

U.S. PATENT DOCUMENTS

2,644,153 A * 6/1953 Beazley A61M 21/00
340/384.72
3,121,220 A * 2/1964 Buckwalter A61M 21/00
116/147

FOREIGN PATENT DOCUMENTS

CN 304188907 6/2017

* cited by examiner

Primary Examiner — Prabhakar Deshmukh

(74) *Attorney, Agent, or Firm* — JCIPRNET

(57) **CLAIM**

The ornamental design for a white noise sound machine, as shown and described.

DESCRIPTION

FIG. 1 is a perspective view of a white noise sound machine showing my new design;

FIG. 2 is a front view thereof;

FIG. 3 is a rear view thereof;

FIG. 4 is a left side view thereof;

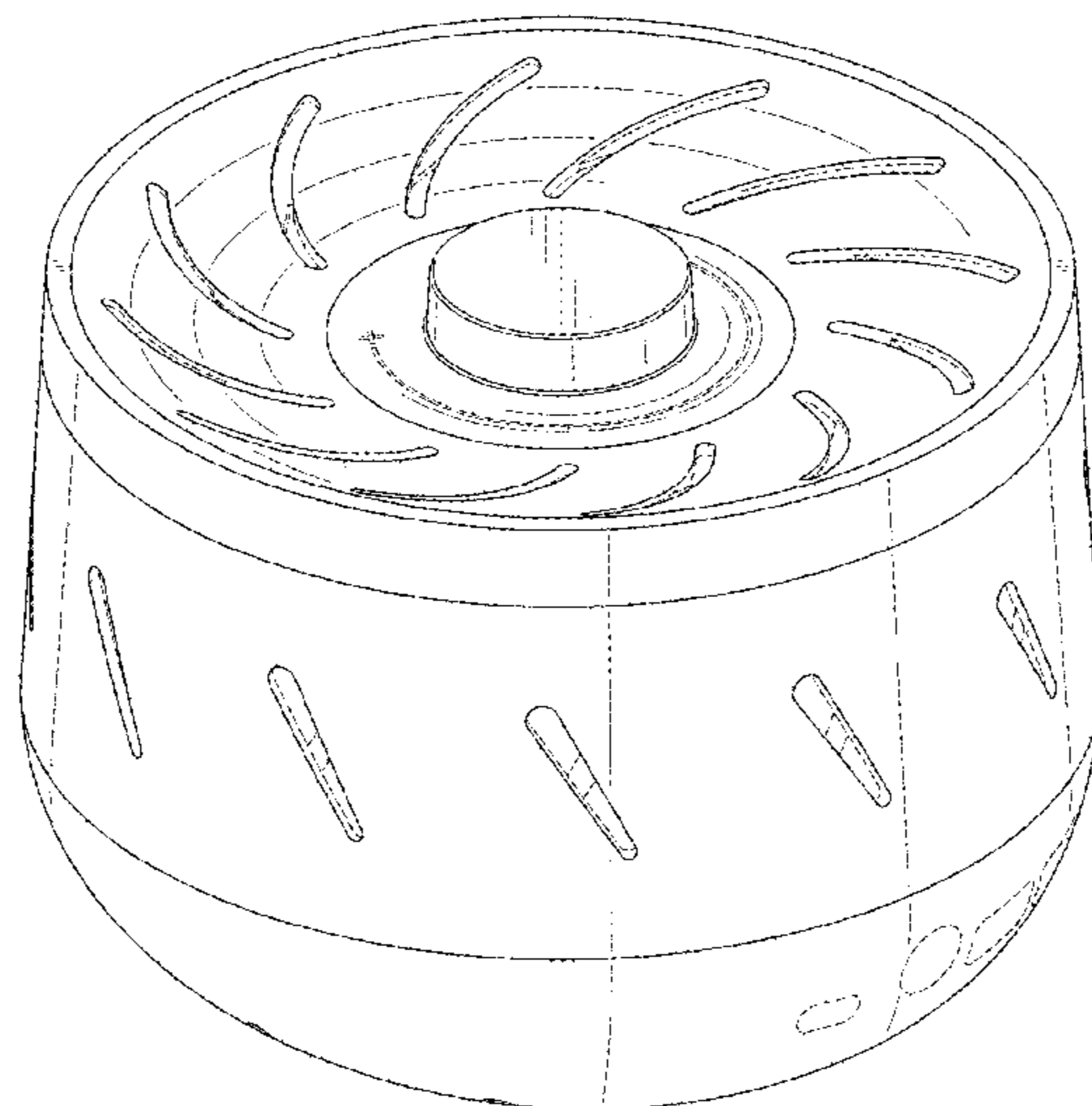
FIG. 5 is a right side view thereof;

FIG. 6 is a top view thereof; and,

FIG. 7 is a bottom view thereof.

The broken lines illustrate portions of the white noise sound machine and form no part of the claimed design.

1 Claim, 7 Drawing Sheets



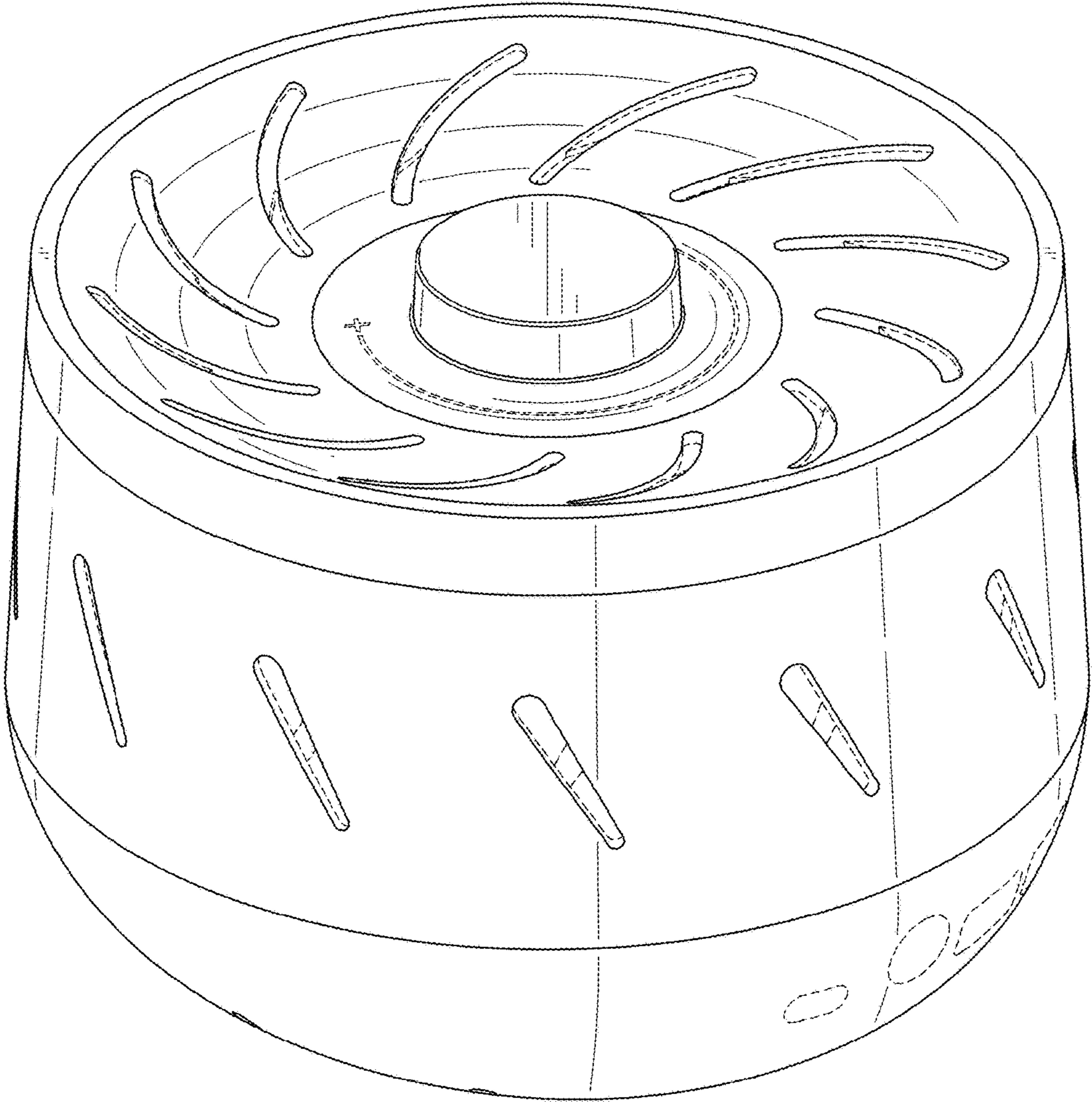


FIG. 1

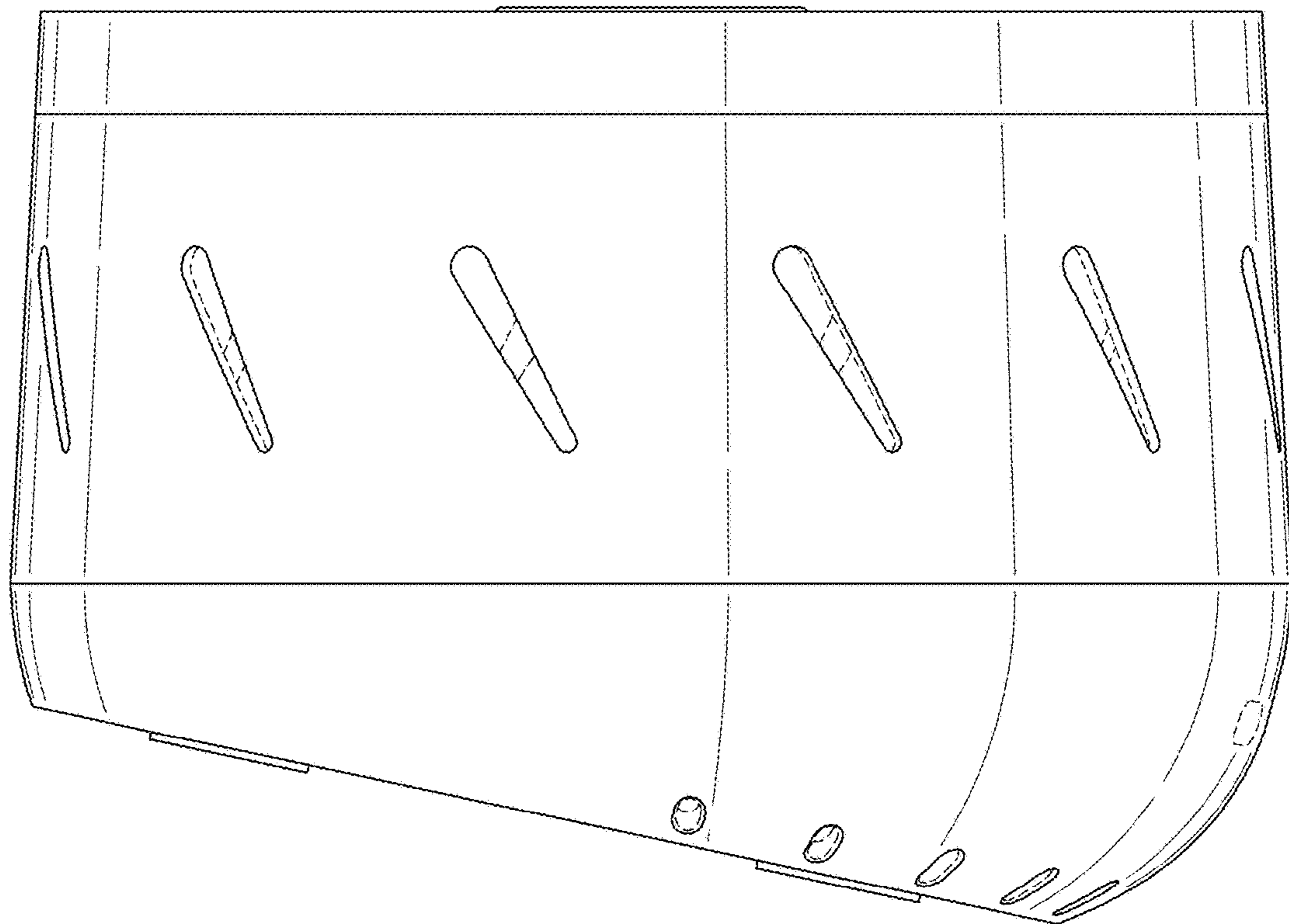


FIG. 2

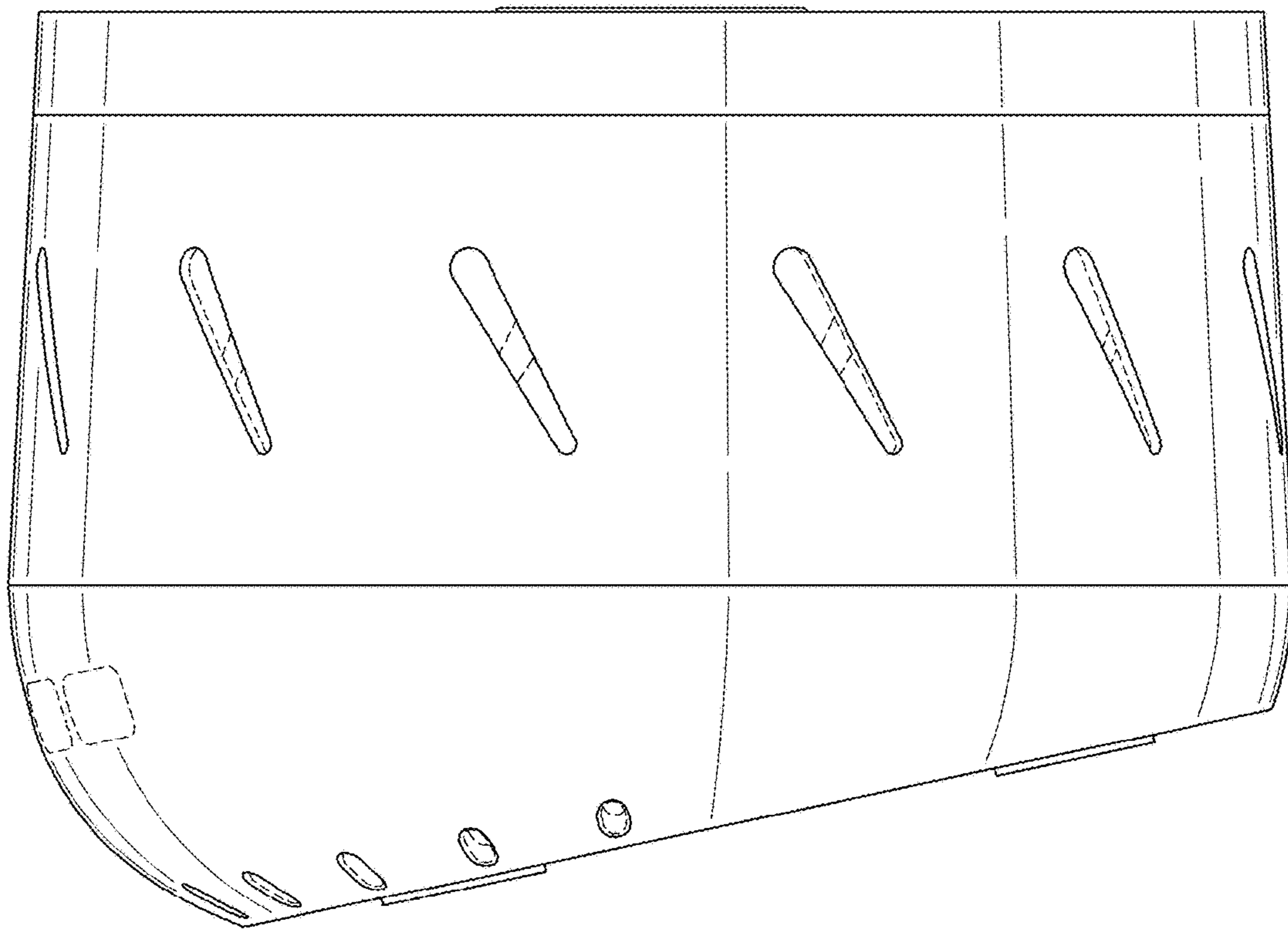


FIG. 3

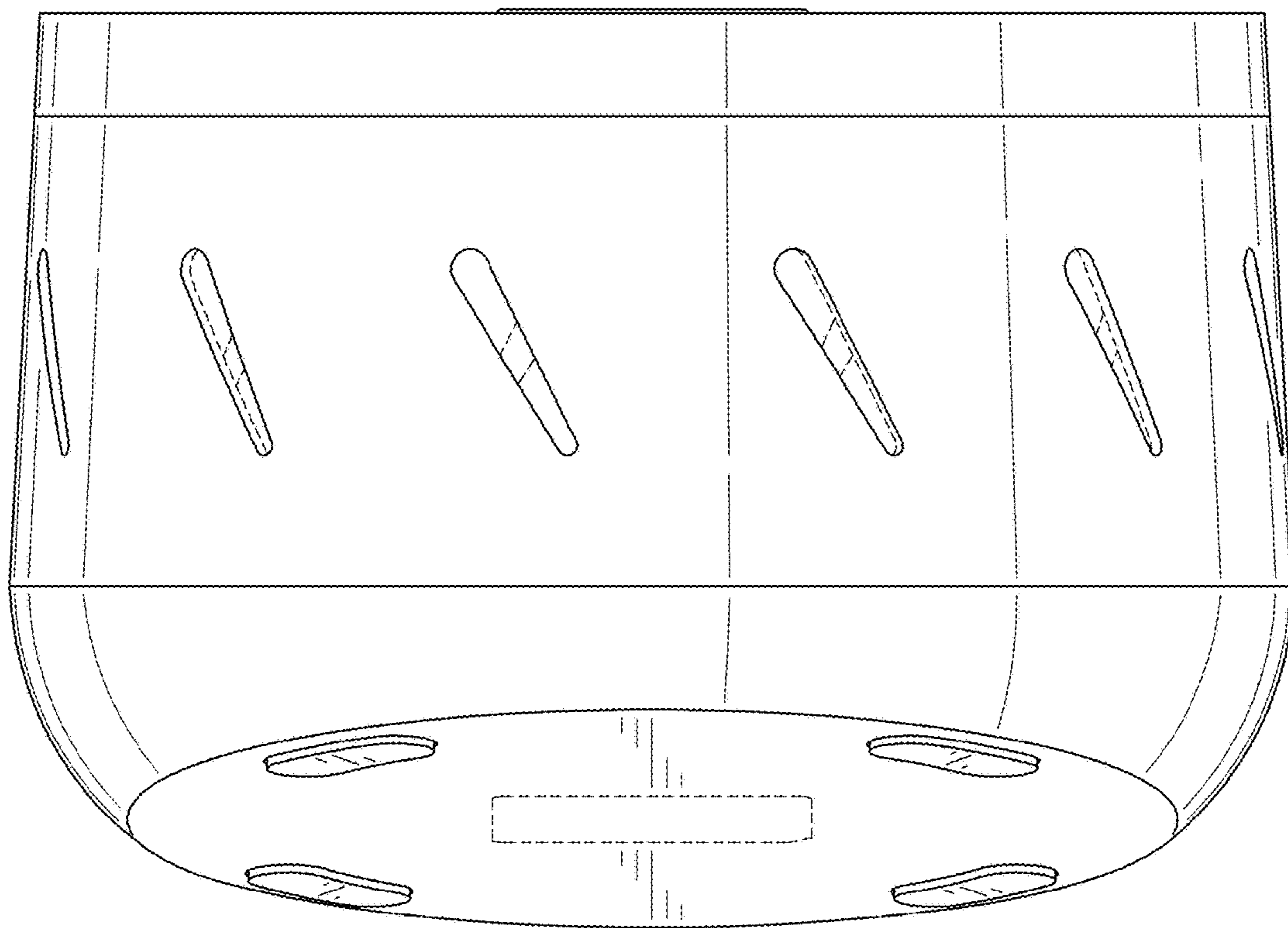


FIG. 4

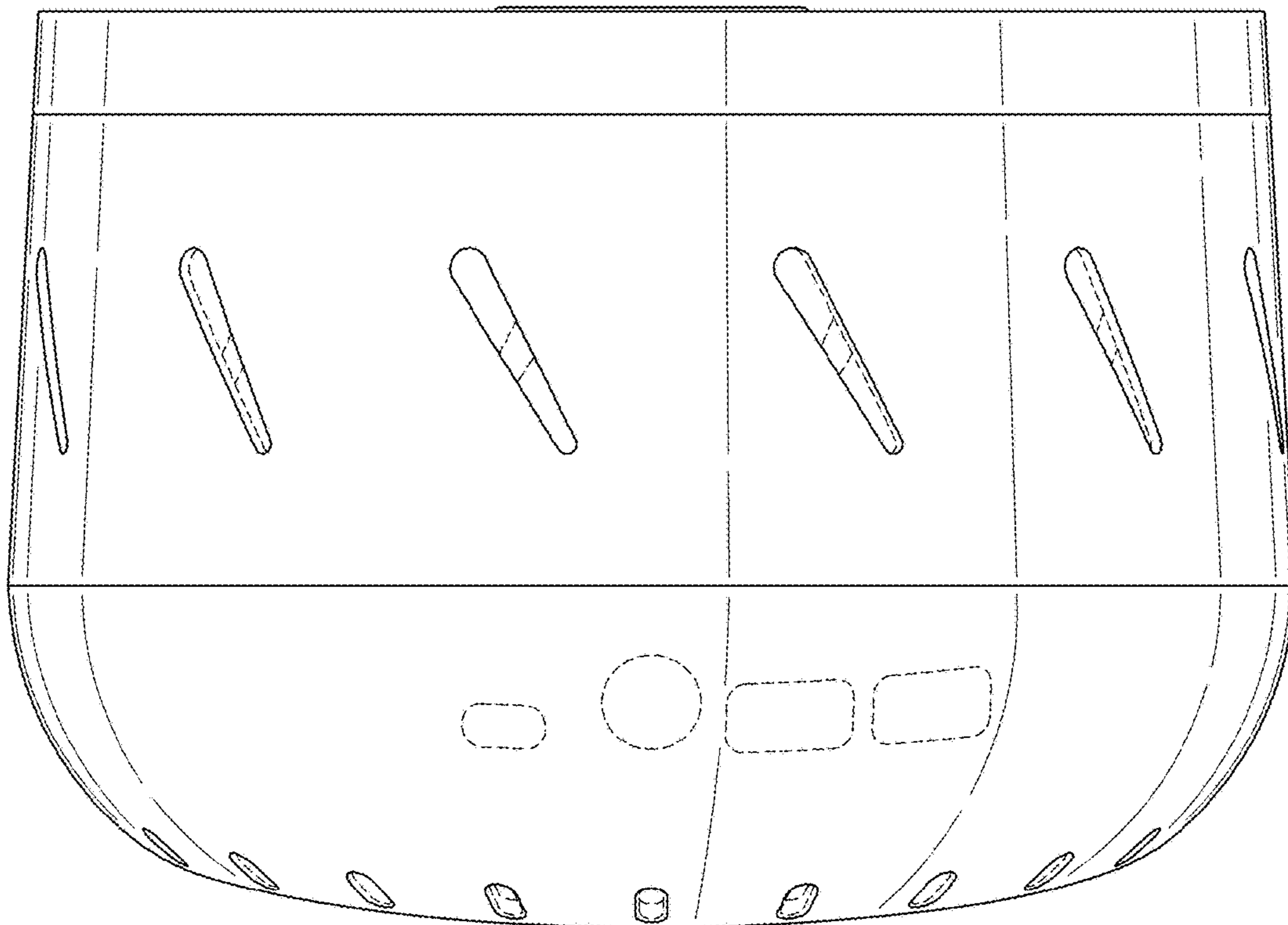


FIG. 5

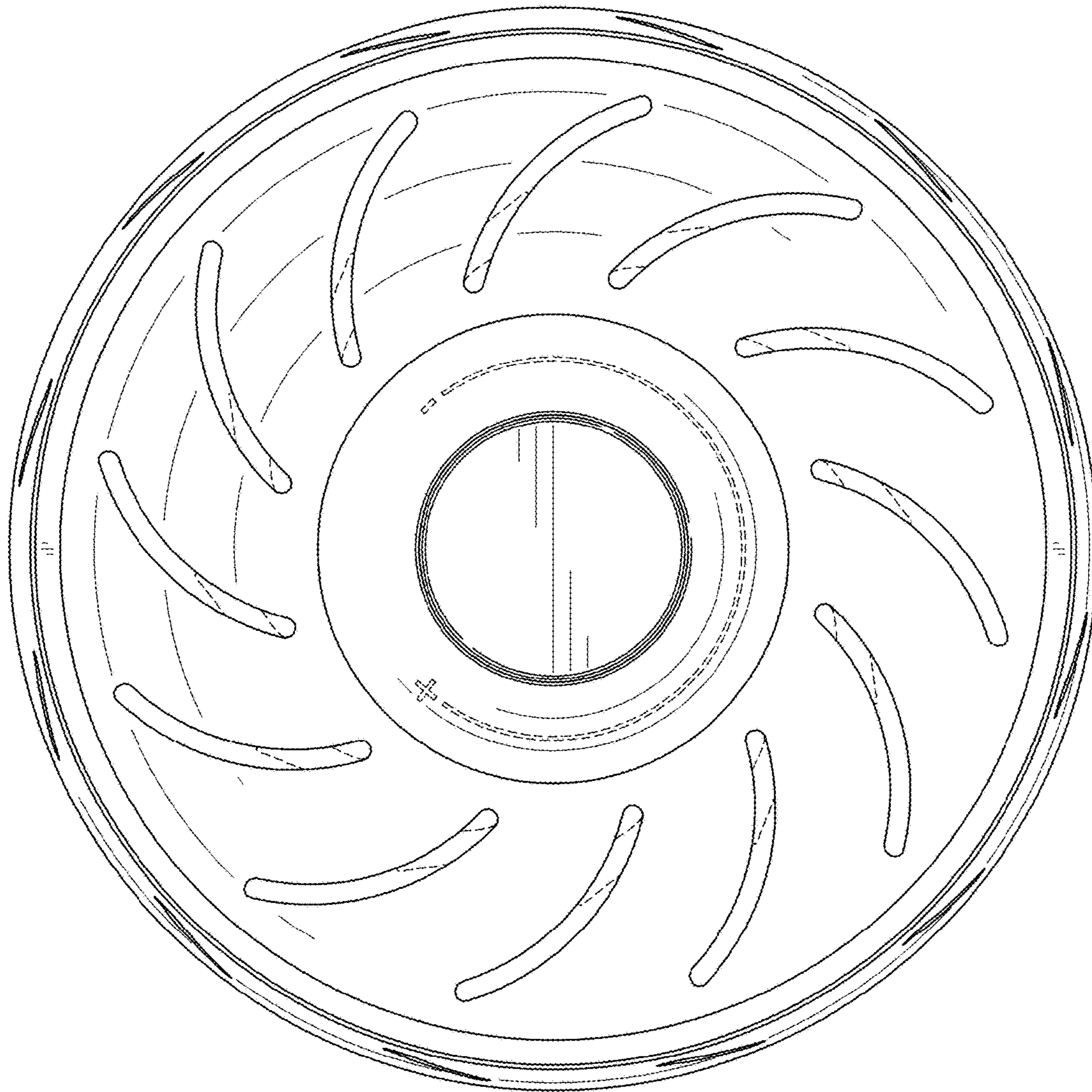


FIG. 6

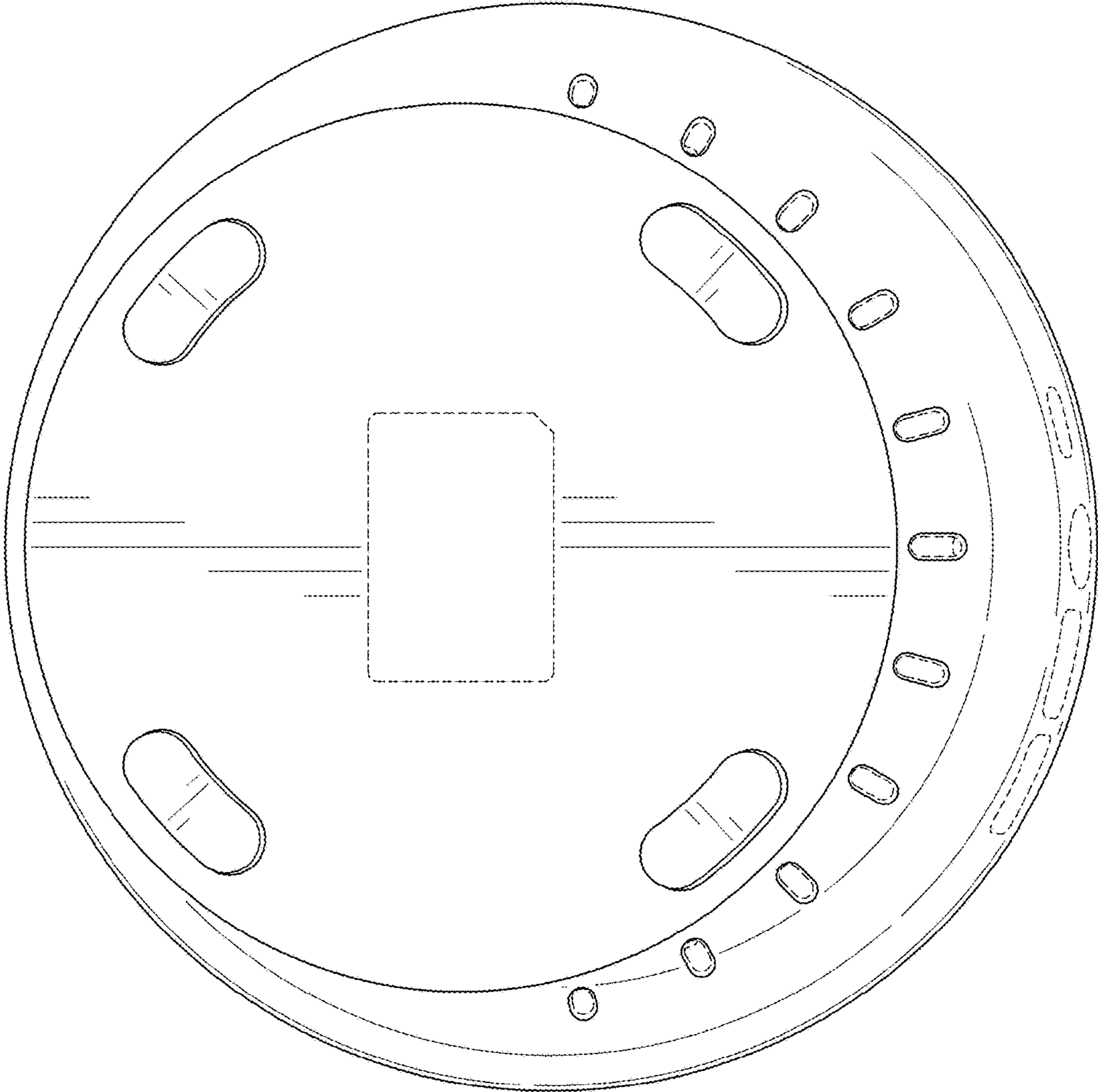


FIG. 7