



US00D815149S

(12) **United States Design Patent**
Langhammer et al.

(10) **Patent No.:** **US D815,149 S**
(45) **Date of Patent:** **** *Apr. 10, 2018**

- (54) **AUDIO INPUT/OUTPUT DEVICE**
- (71) Applicant: **Amazon Technologies, Inc.**, Seattle, WA (US)
- (72) Inventors: **Heinz-Dominik Langhammer**, San Francisco, CA (US); **Christopher Green**, San Francisco, CA (US); **Giles David Matthew McWilliam**, San Francisco, CA (US); **Marc Rene Walliser**, San Francisco, CA (US)
- (73) Assignee: **Amazon Technologies, Inc.**, Seattle, WA (US)
- (*) Notice: This patent is subject to a terminal disclaimer.
- (**) Term: **15 Years**
- (21) Appl. No.: **29/580,504**
- (22) Filed: **Oct. 10, 2016**
- Related U.S. Application Data**
- (63) Continuation of application No. 29/537,679, filed on Aug. 27, 2015, now Pat. No. Des. 771,142.
- (51) **LOC (11) Cl.** **14-03**
- (52) **U.S. Cl.**
USPC **D14/496; D14/203.6**
- (58) **Field of Classification Search**
USPC D14/496, 401, 435, 474, 483, 217, 137, D14/138, 160, 168, 356, 203.1–203.8,
(Continued)

- (56) **References Cited**
- U.S. PATENT DOCUMENTS**
- 5,914,707 A * 6/1999 Kono G06K 19/08
345/173
- 6,606,281 B2 * 8/2003 Cowgill G11C 7/16
369/11
- (Continued)

OTHER PUBLICATIONS

Canadian Office Action mailed May 10, 2016 for Canadian Design Application No. 166740, a counterpart foreign design application of Design U.S. Appl. No. 29/537,679, 2 pages.

Indian Office Action mailed May 27, 2016 for Indian design application No. 280334, a counterpart foreign design application of Design U.S. Appl. No. 29/537,679, 19 pages.

Primary Examiner — Prabhakar G Deshmukh
(74) *Attorney, Agent, or Firm* — Lee & Hayes, PLLC

(57) **CLAIM**

The ornamental design for an audio input/output device, as shown and described.

DESCRIPTION

FIG. 1 is a first perspective view of a first embodiment of an audio input/output device, taken from the top-front.

FIG. 2 is a second perspective view of the first embodiment of the audio input/output device of FIG. 1, taken from the bottom-back.

FIG. 3 is a top view of the first embodiment of the audio input/output device of FIG. 1.

FIG. 4 is a bottom view of the first embodiment of the audio input/output device of FIG. 1.

FIG. 5 is a front view of the first embodiment of the audio input/output device of FIG. 1.

FIG. 6 is a back view of the first embodiment of the audio input/output device of FIG. 1.

FIG. 7 is a left-side view of the first embodiment of the audio input/output device of FIG. 1, the right-side view being a mirror image of the left-side view.

FIG. 8 is a first perspective view of a second embodiment of an audio input/output device, taken from the top-front.

FIG. 9 is a second perspective view of the second embodiment of the audio input/output device of FIG. 8, taken from the bottom-back.

FIG. 10 is a top view of the second embodiment of the audio input/output device of FIG. 8.

FIG. 11 is a bottom view of the second embodiment of the audio input/output device of FIG. 8.

FIG. 12 is a front view of the second embodiment of the audio input/output device of FIG. 8.

FIG. 13 is a back view of the second embodiment of the audio input/output device of FIG. 8.

(Continued)

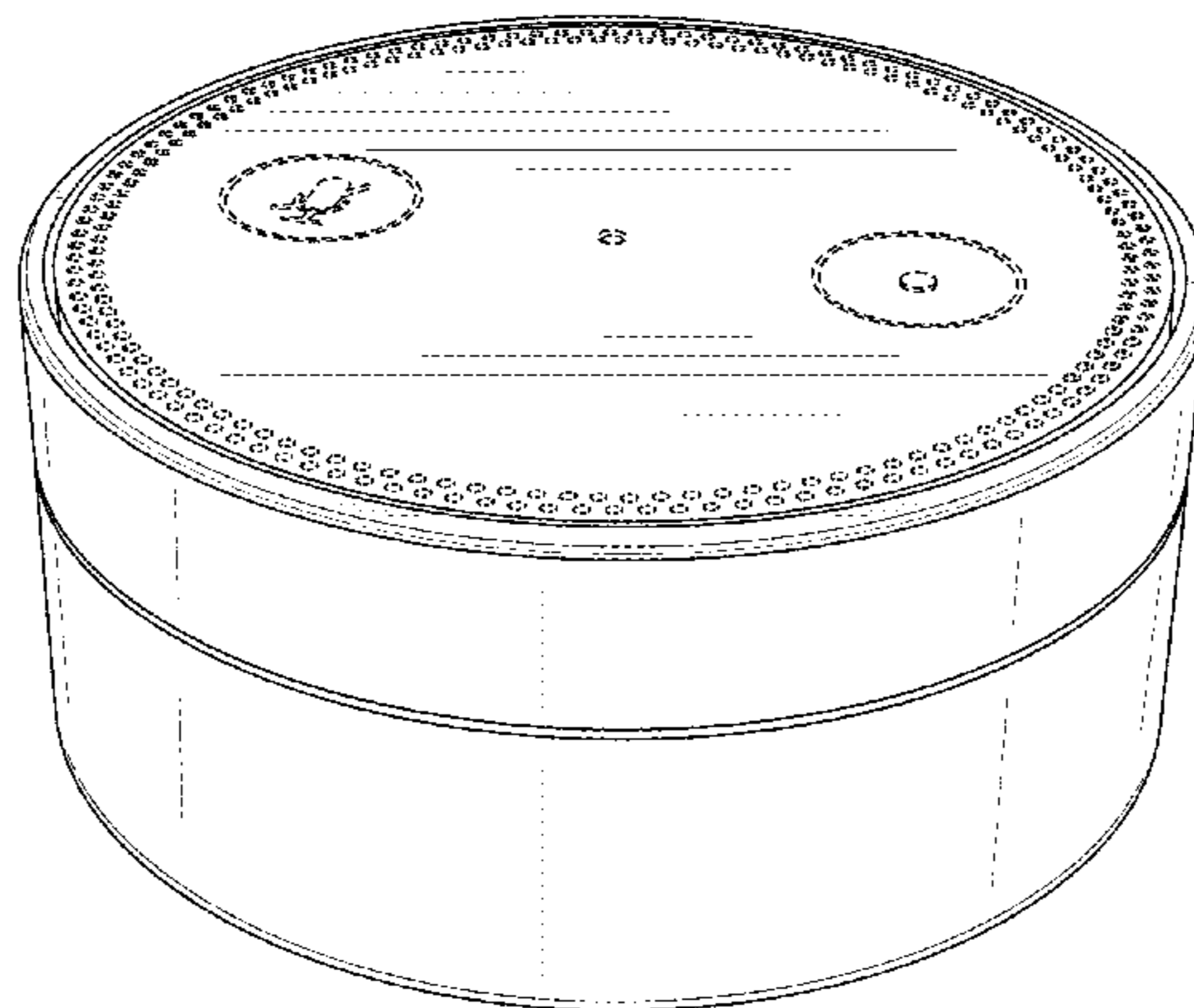


FIG. 14 is a left-side view of the second embodiment of the audio input/output device of FIG. 8, the right-side view being a mirror image of the left-side view.

FIG. 15 is a first perspective view of a third embodiment of an audio input/output device, taken from the top-front.

FIG. 16 is a second perspective view of the third embodiment of the audio input/output device of FIG. 15, taken from the bottom-back.

FIG. 17 is a top view of the third embodiment of the audio input/output device of FIG. 15.

FIG. 18 is a bottom view of the third embodiment of the audio input/output device of FIG. 15.

FIG. 19 is a front view of the third embodiment of the audio input/output device of FIG. 15.

FIG. 20 is a back view of the third embodiment of the audio input/output device of FIG. 15.

FIG. 21 is a left-side view of the third embodiment of the audio input/output device of FIG. 15, the right-side view being a mirror image of the left-side view.

FIG. 22 is a first perspective view of a fourth embodiment of an audio input/output device, taken from the top-front.

FIG. 23 is a second perspective view of the fourth embodiment of the audio input/output device of FIG. 22, taken from the bottom-back.

FIG. 24 is a top view of the fourth embodiment of the audio input/output device of FIG. 22.

FIG. 25 is a bottom view of the fourth embodiment of the audio input/output device of FIG. 22.

FIG. 26 is a front view of the fourth embodiment of the audio input/output device of FIG. 22.

FIG. 27 is a back view of the fourth embodiment of the audio input/output device of FIG. 22; and,

FIG. 28 is a left-side view of the fourth embodiment of the audio input/output device of FIG. 22, the right-side view being a mirror image of the left-side view.

The broken lines depict portions of the audio input/output device which form no part of the claimed design.

1 Claim, 24 Drawing Sheets

(58) **Field of Classification Search**

USPC D14/507; 345/156, 169, 173-179, 905;
715/727-729, 864; 710/1, 5, 8; 713/1,
713/600; 455/1.1, 1.7, 73, 344-347, 93,
455/95, 3.01-3.06, 550.1, 573.1;
370/342-344; 369/1, 2, 6-12;
463/43-47; 273/148 B
CPC .. A63F 13/00; A63F 11/00; A63F 2300/8047;
G06F 17/00

See application file for complete search history.

(56) **References Cited**

U.S. PATENT DOCUMENTS

D514,122 S	1/2006	Rodarte	
7,209,648 B2 *	4/2007	Barber	H04N 9/7921 348/E5.108
7,277,272 B2 *	10/2007	Hsiung	G11B 17/051 361/679.01
D554,614 S	11/2007	Lin	
D582,394 S	12/2008	Hong et al.	
D609,718 S	2/2010	Chang et al.	
D613,270 S	4/2010	Cooper et al.	
D626,147 S	10/2010	Goddard	
8,090,418 B2	1/2012	Thiel et al.	
D662,949 S	7/2012	Otero et al.	
8,315,046 B2	11/2012	Cooper	
D744,541 S	12/2015	Langhammer et al.	
D753,625 S	4/2016	Young	
D756,955 S *	5/2016	Wagner	D14/203.6
D769,327 S *	10/2016	Morillo Garcia	D14/203.6
D775,233 S *	12/2016	Beck	D14/203.6
D778,956 S *	2/2017	Langhammer	D14/203.1

* cited by examiner

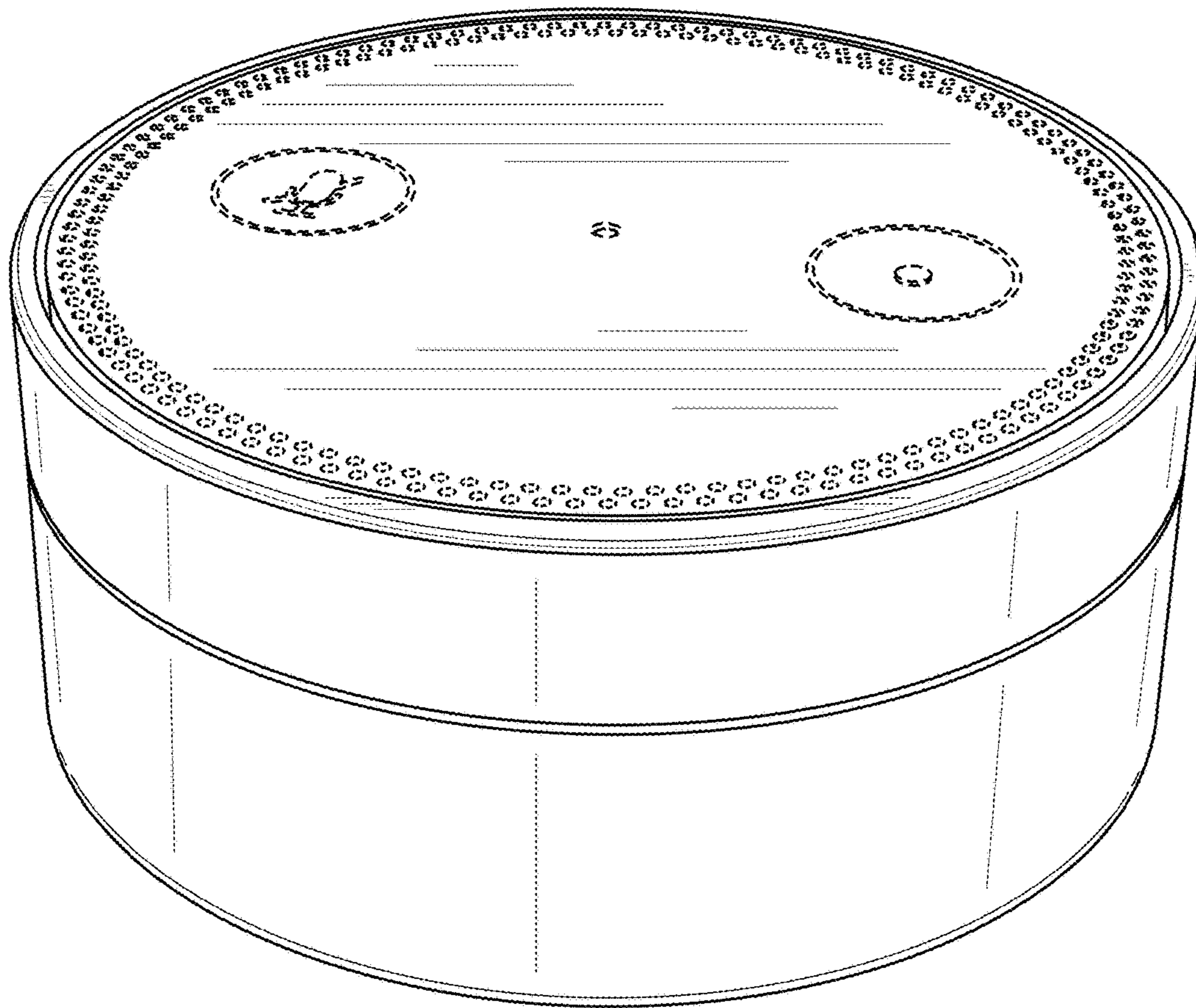


FIG. 1

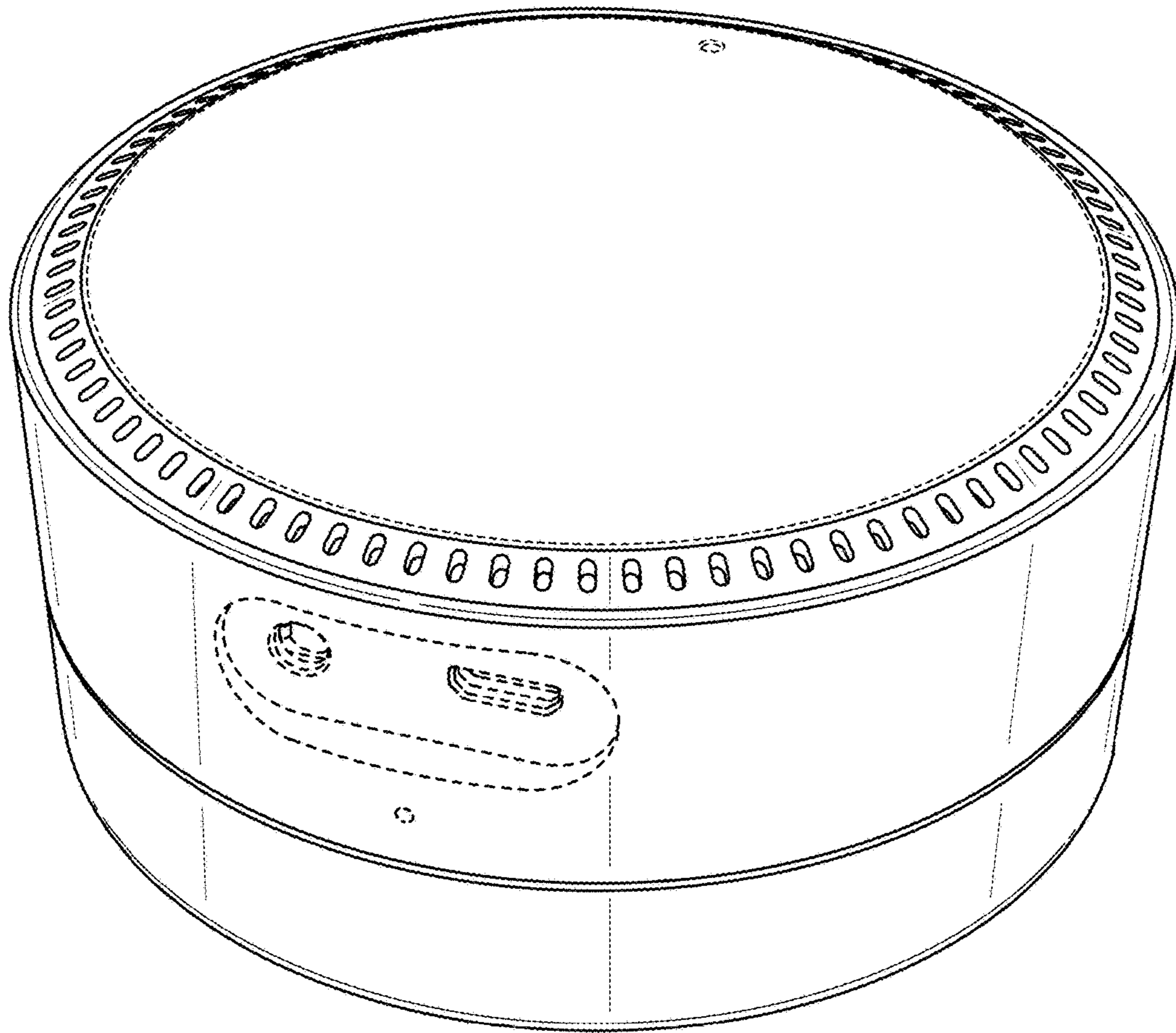


FIG. 2

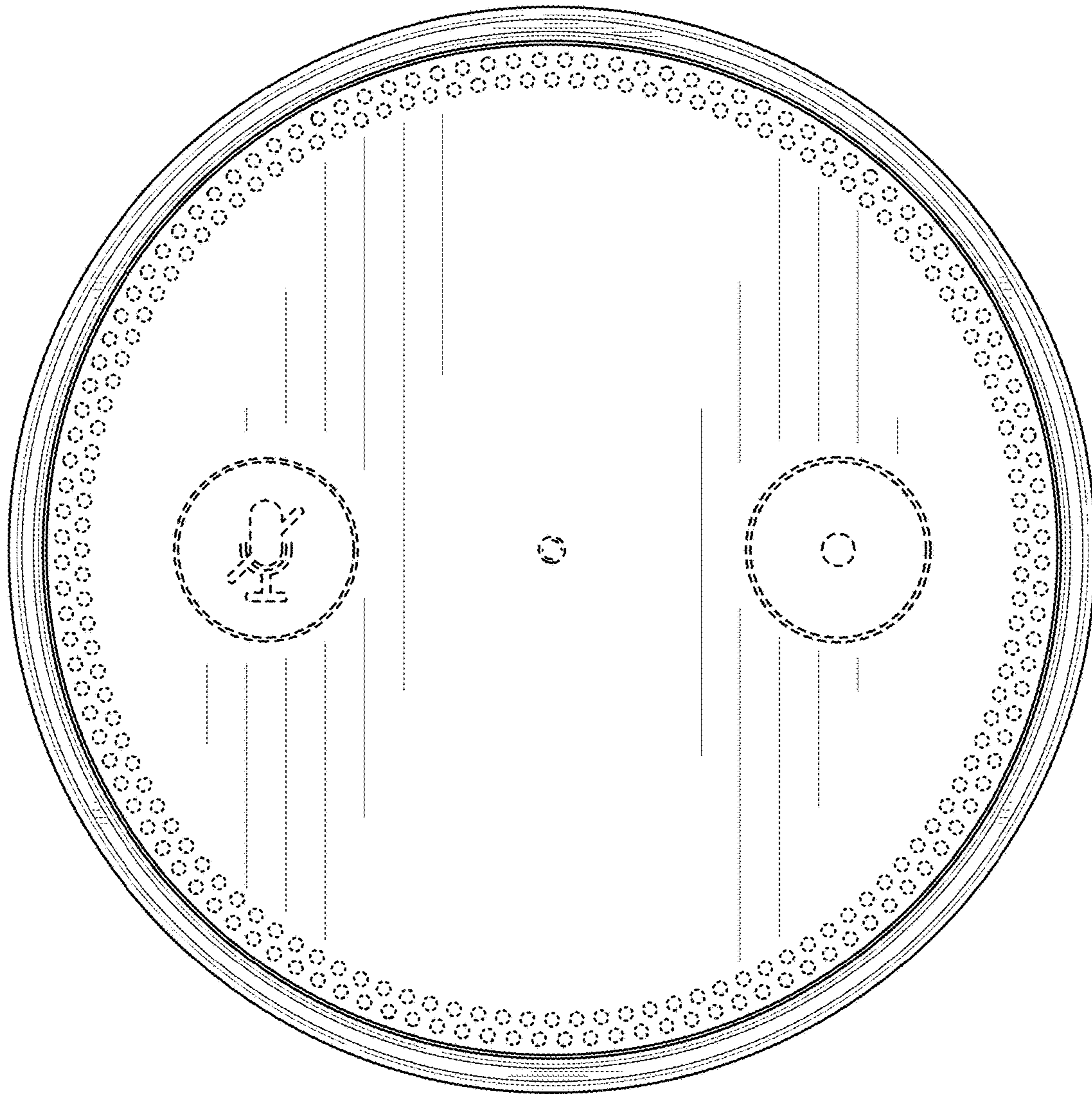


FIG. 3

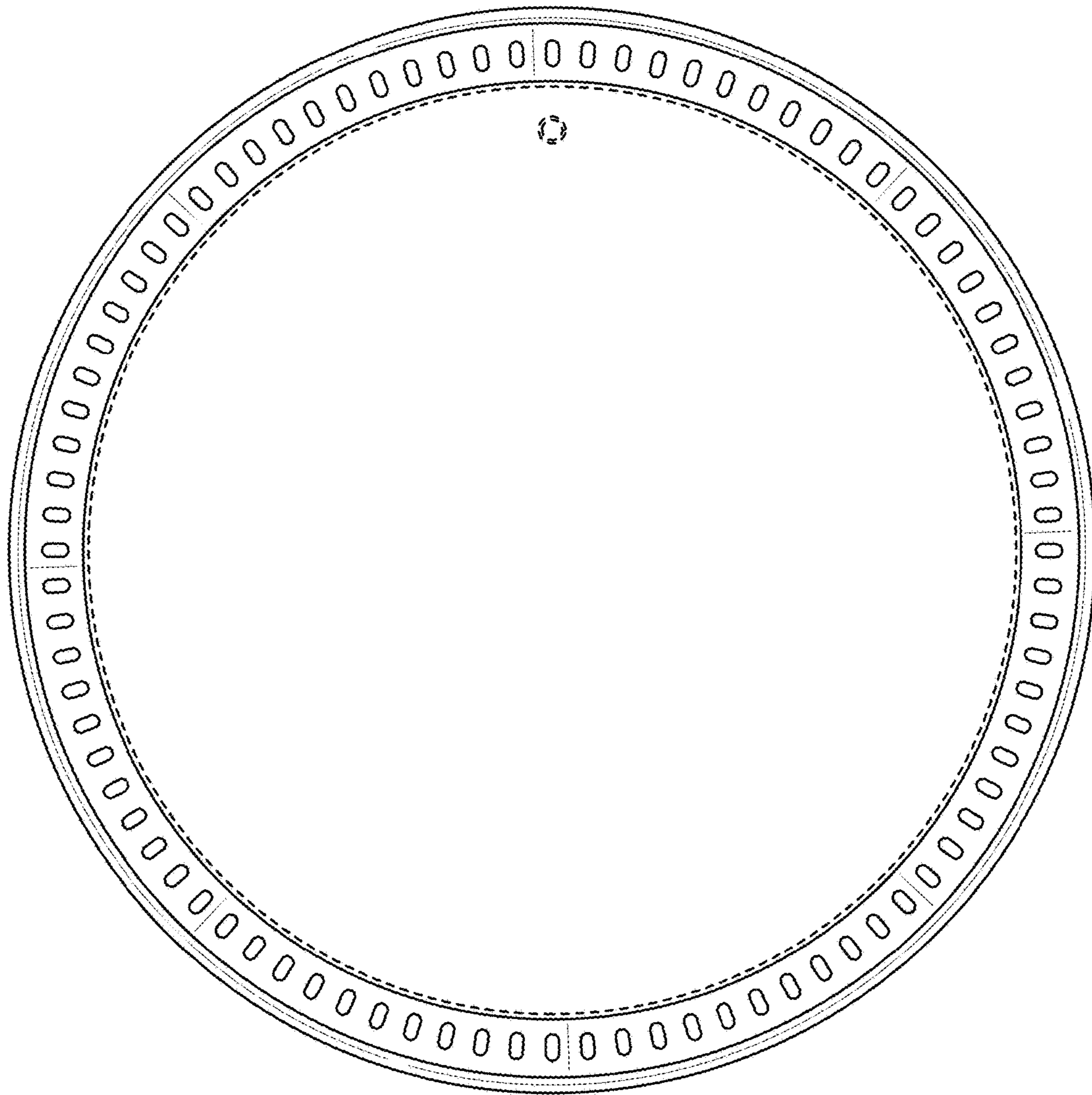


FIG. 4

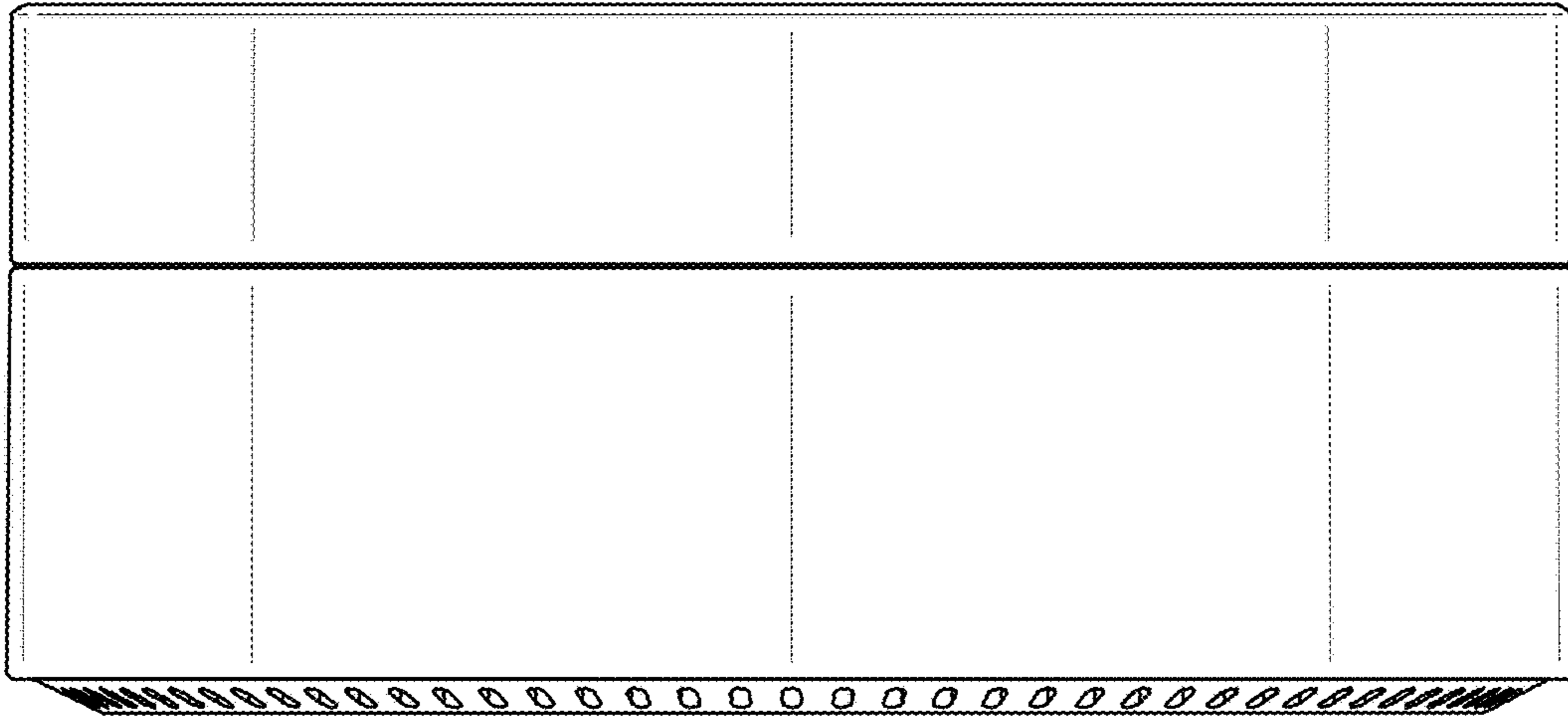


FIG. 5

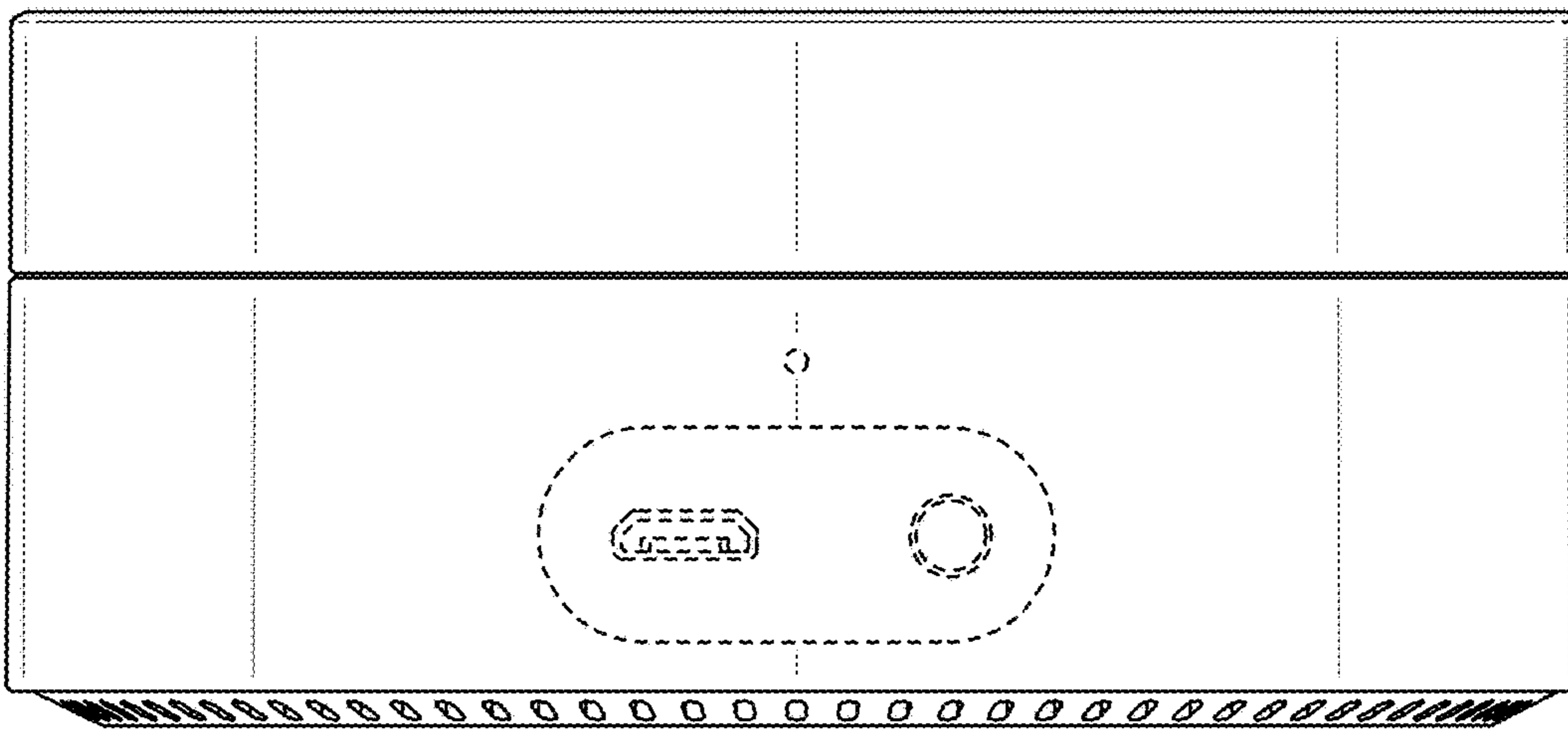


FIG. 6

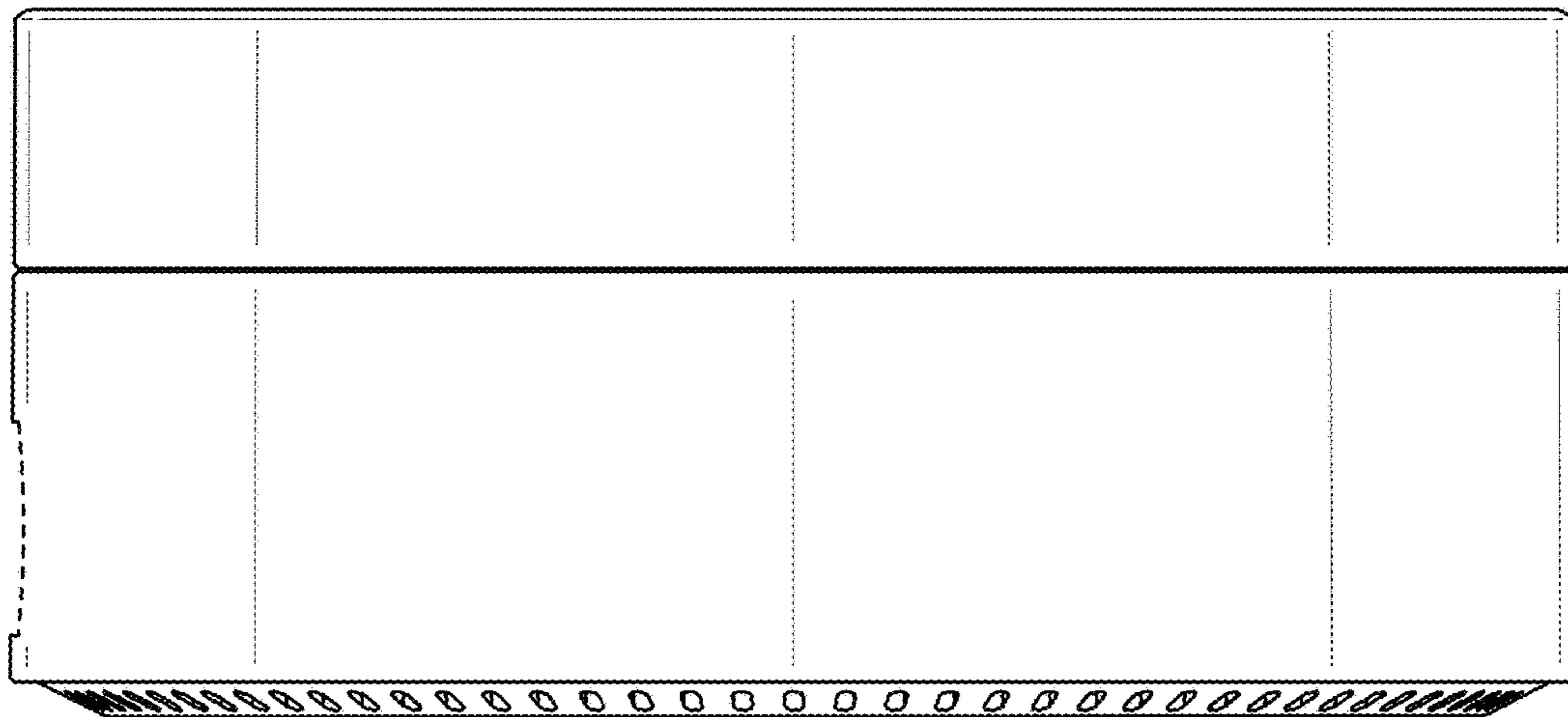


FIG. 7

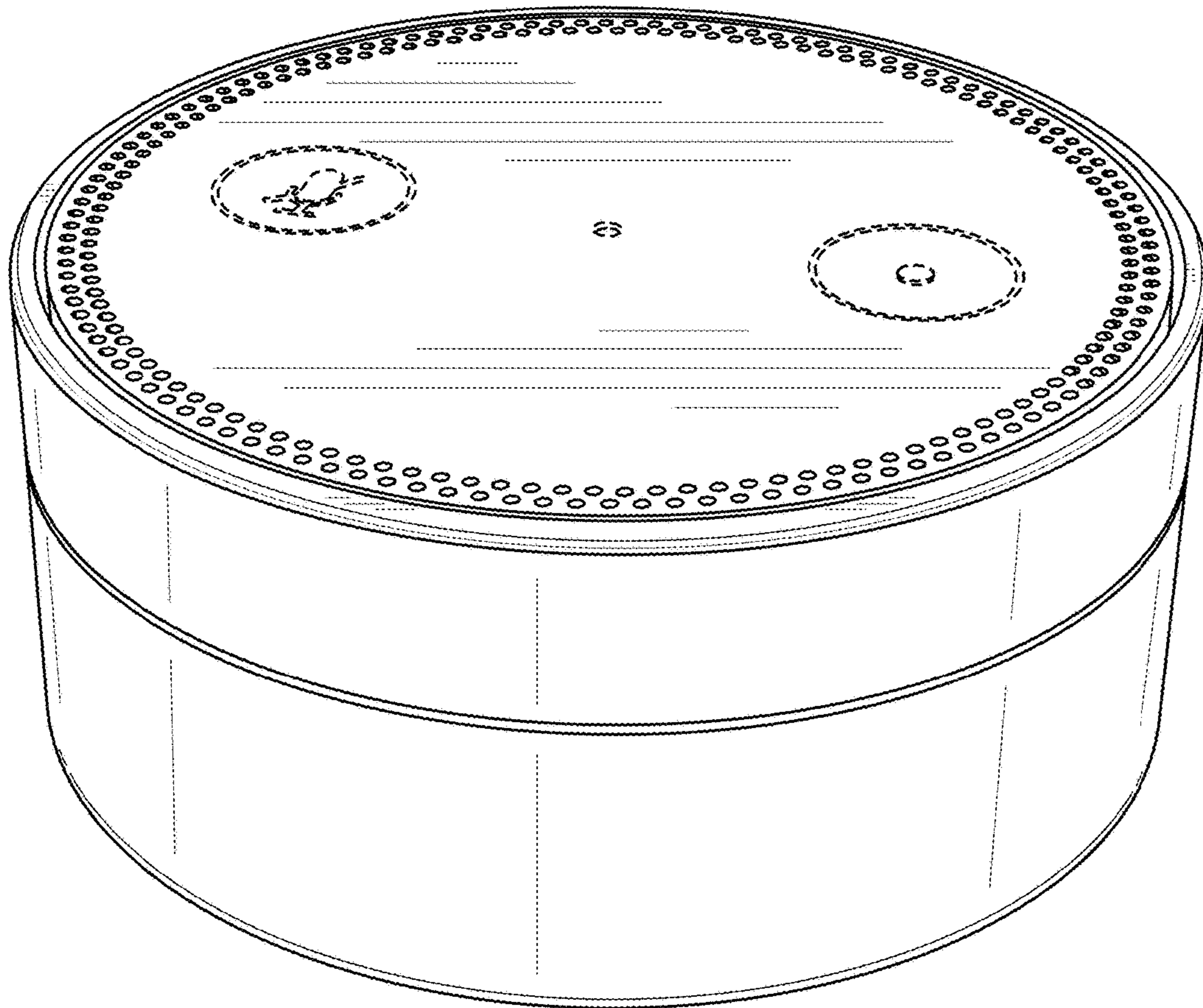


FIG. 8

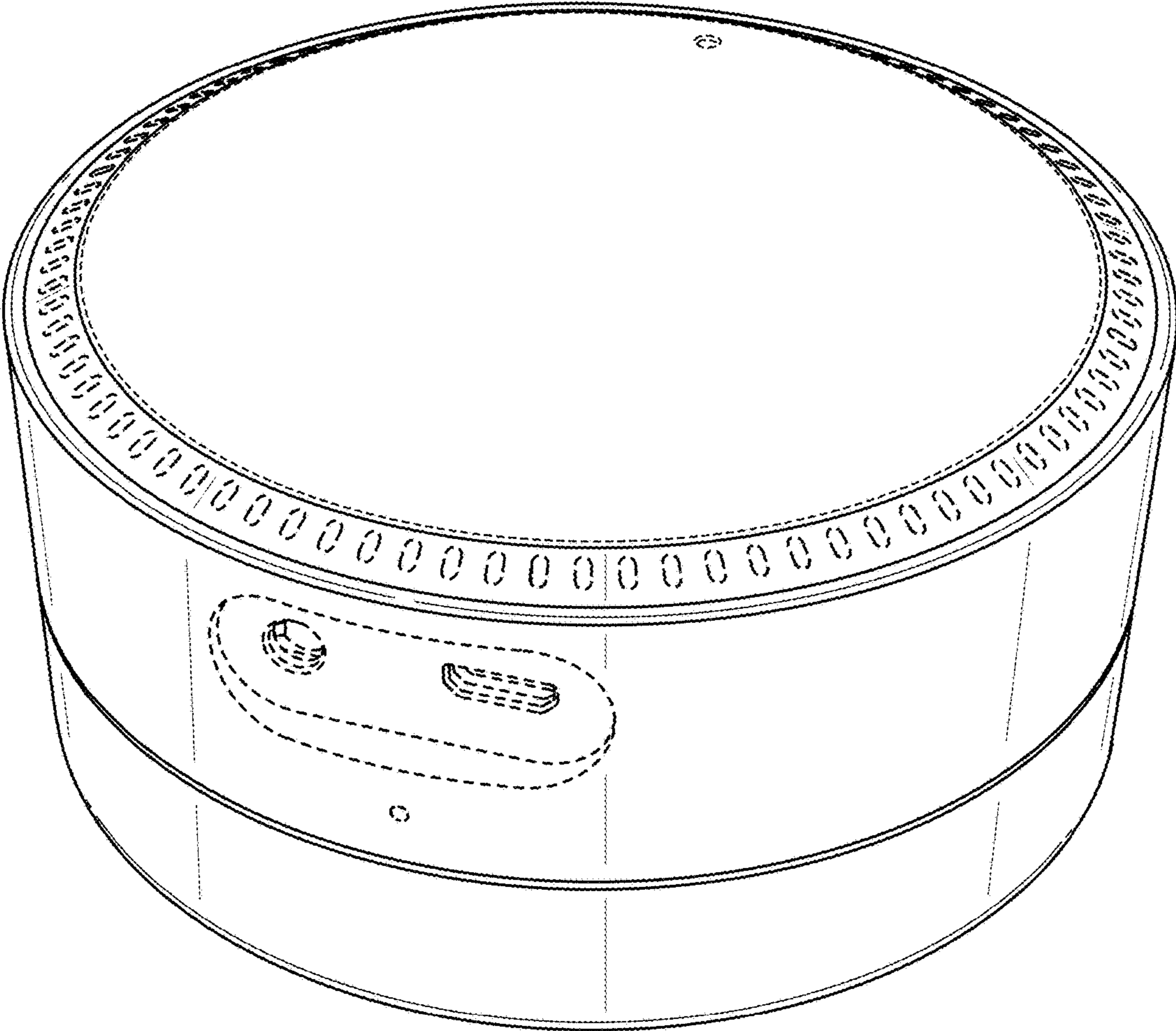


FIG. 9

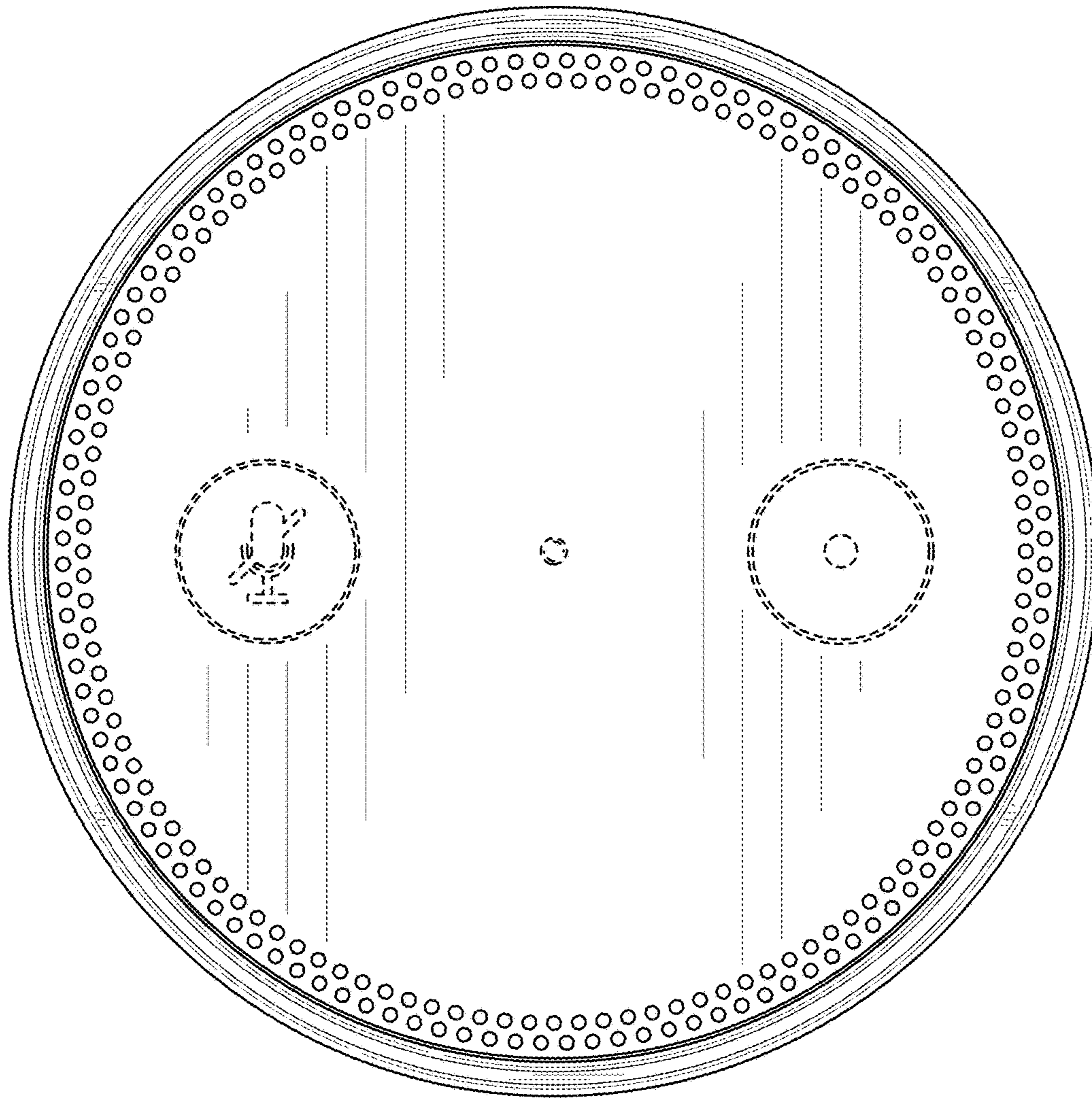


FIG. 10

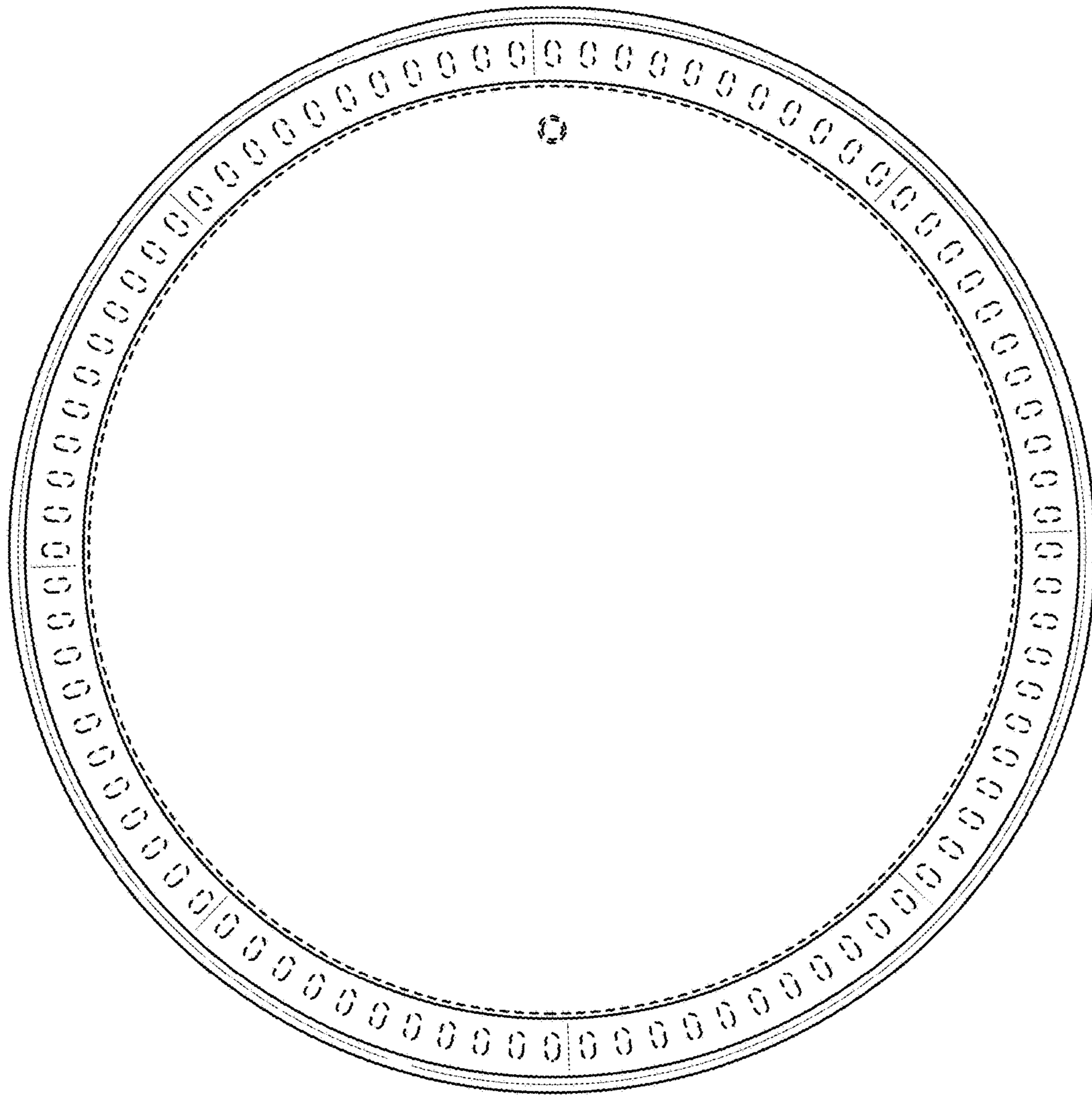


FIG. 11

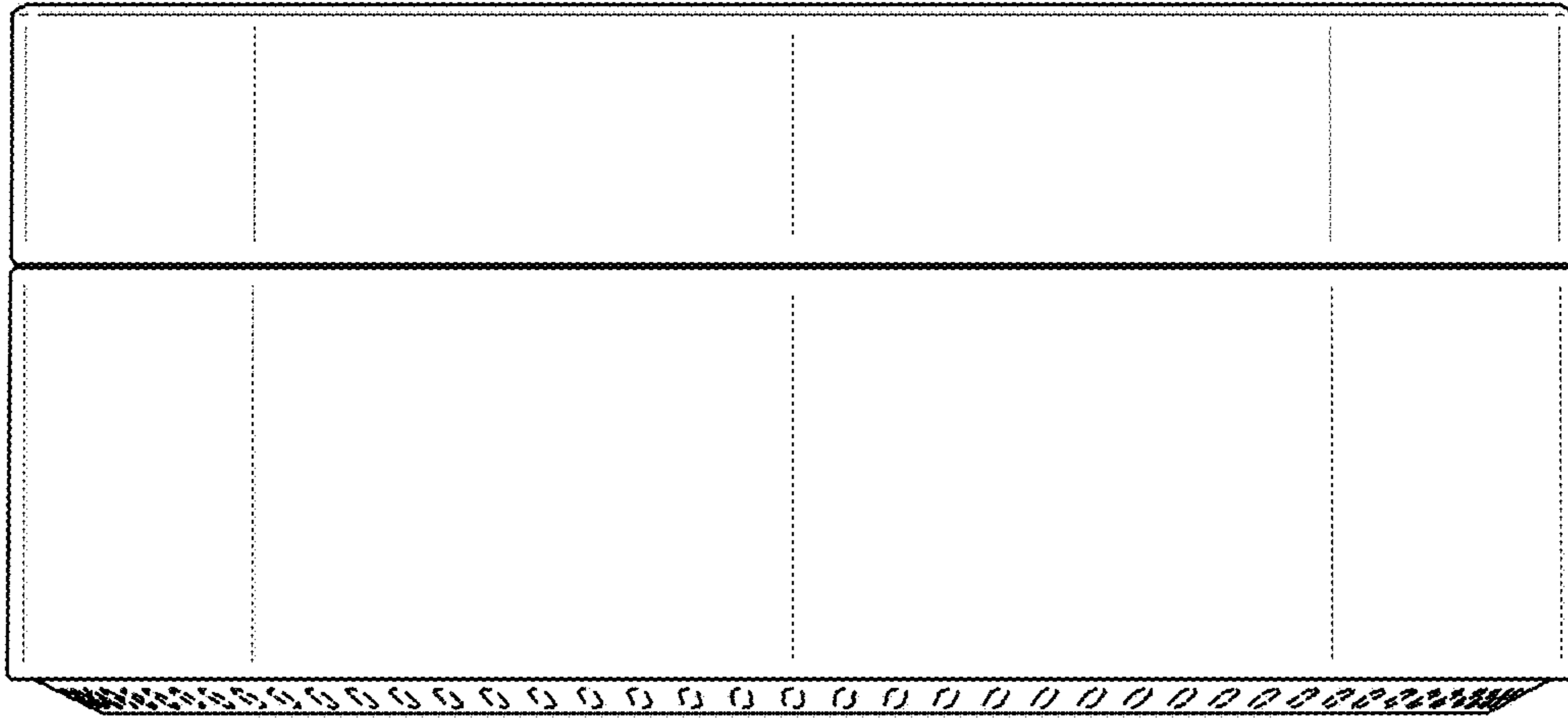


FIG. 12

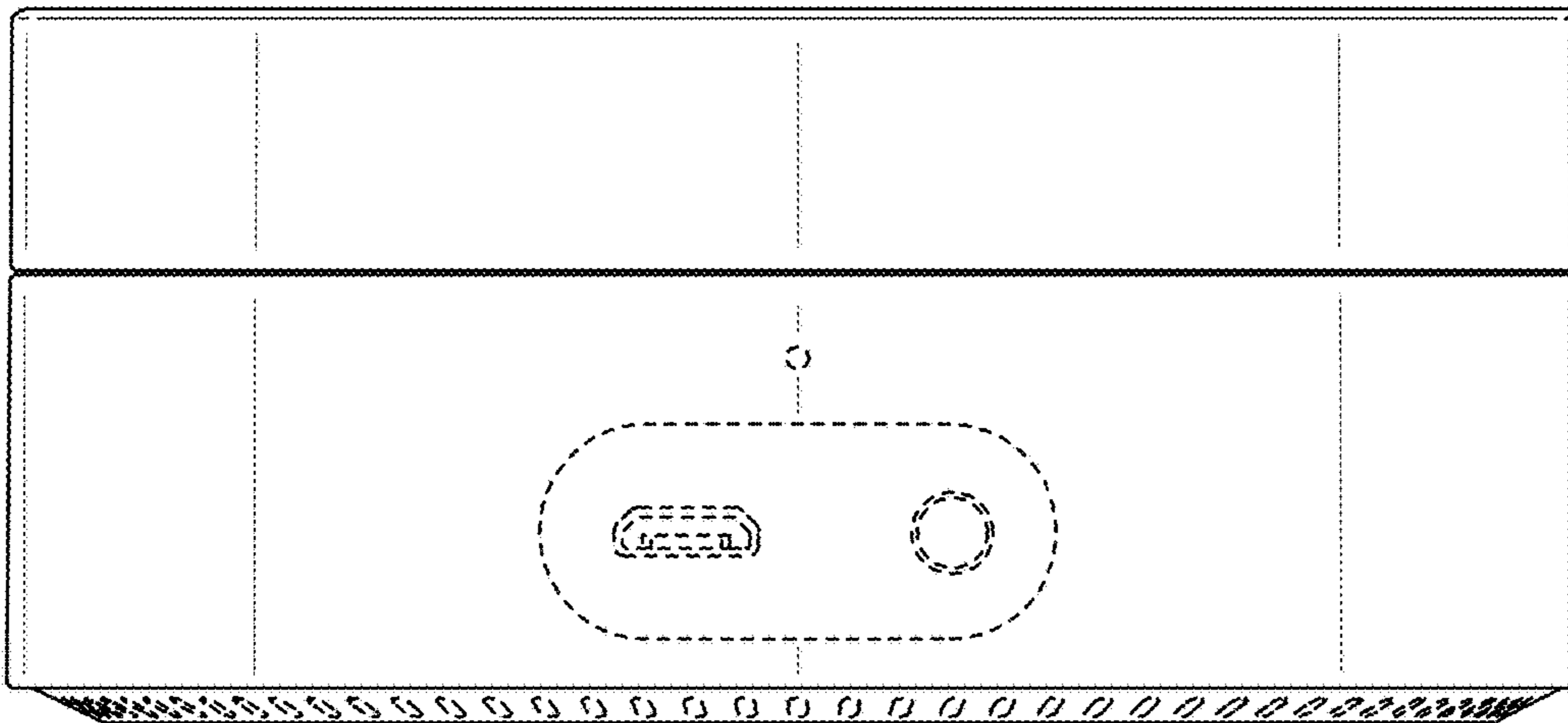


FIG. 13

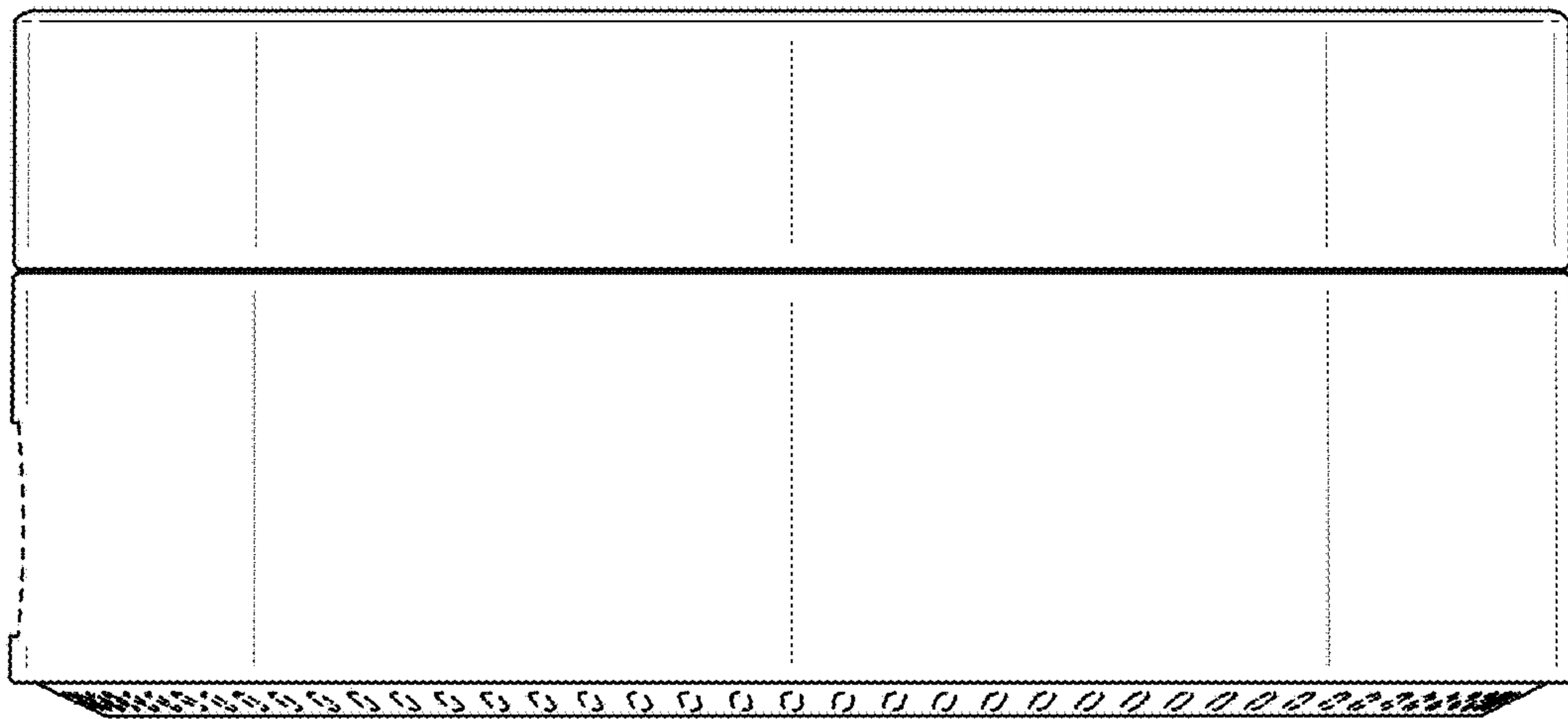


FIG. 14

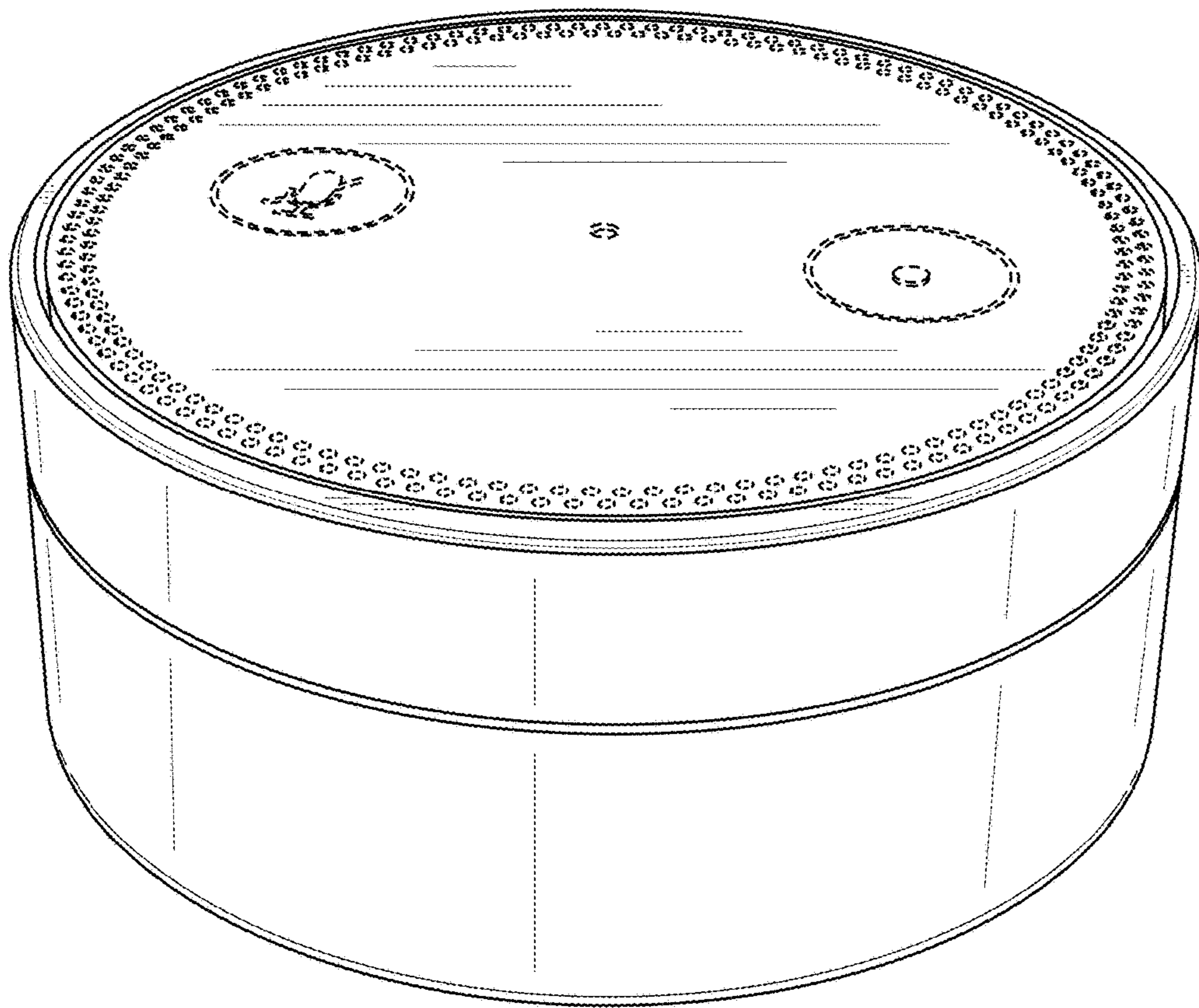


FIG. 15

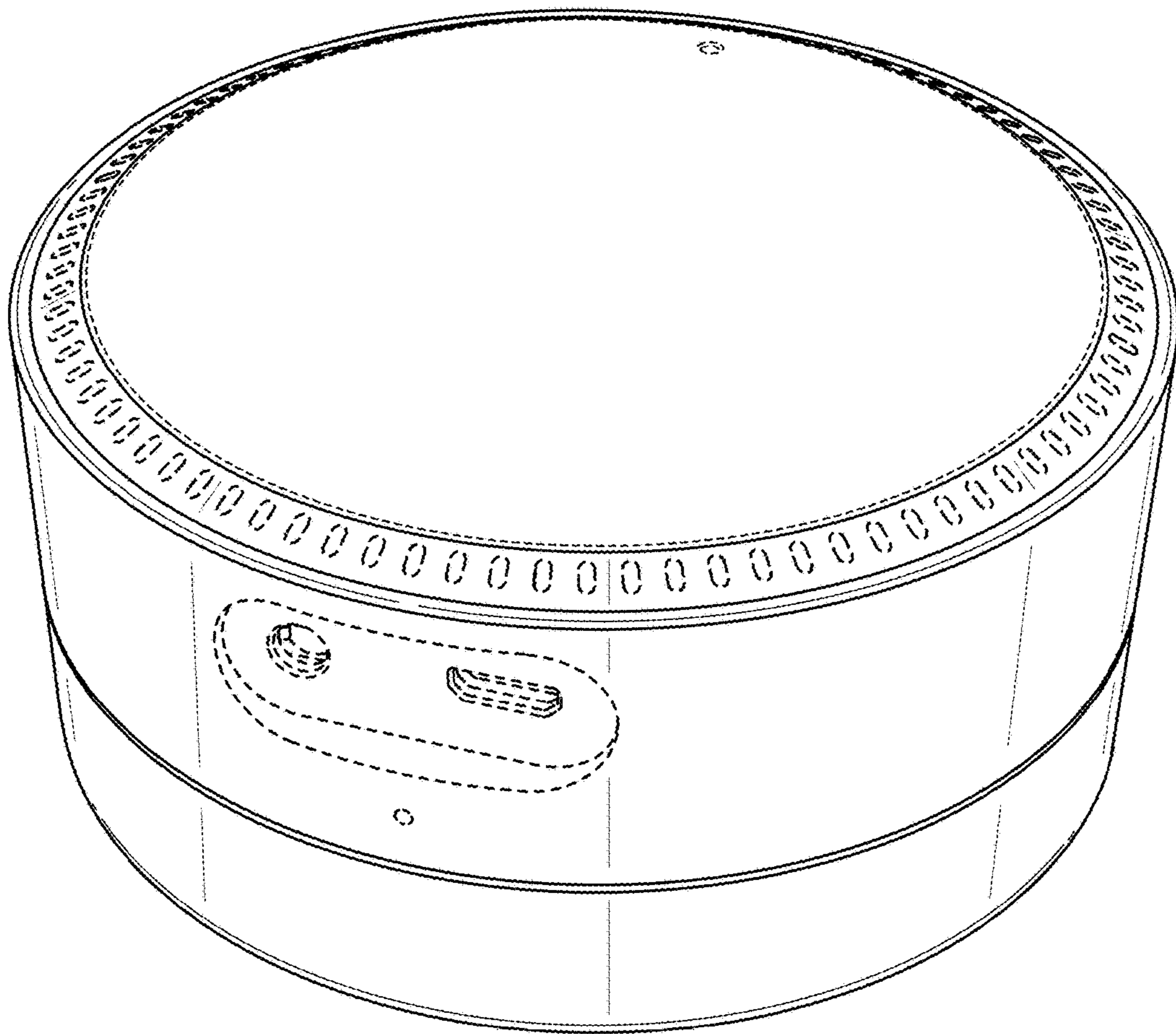


FIG. 16

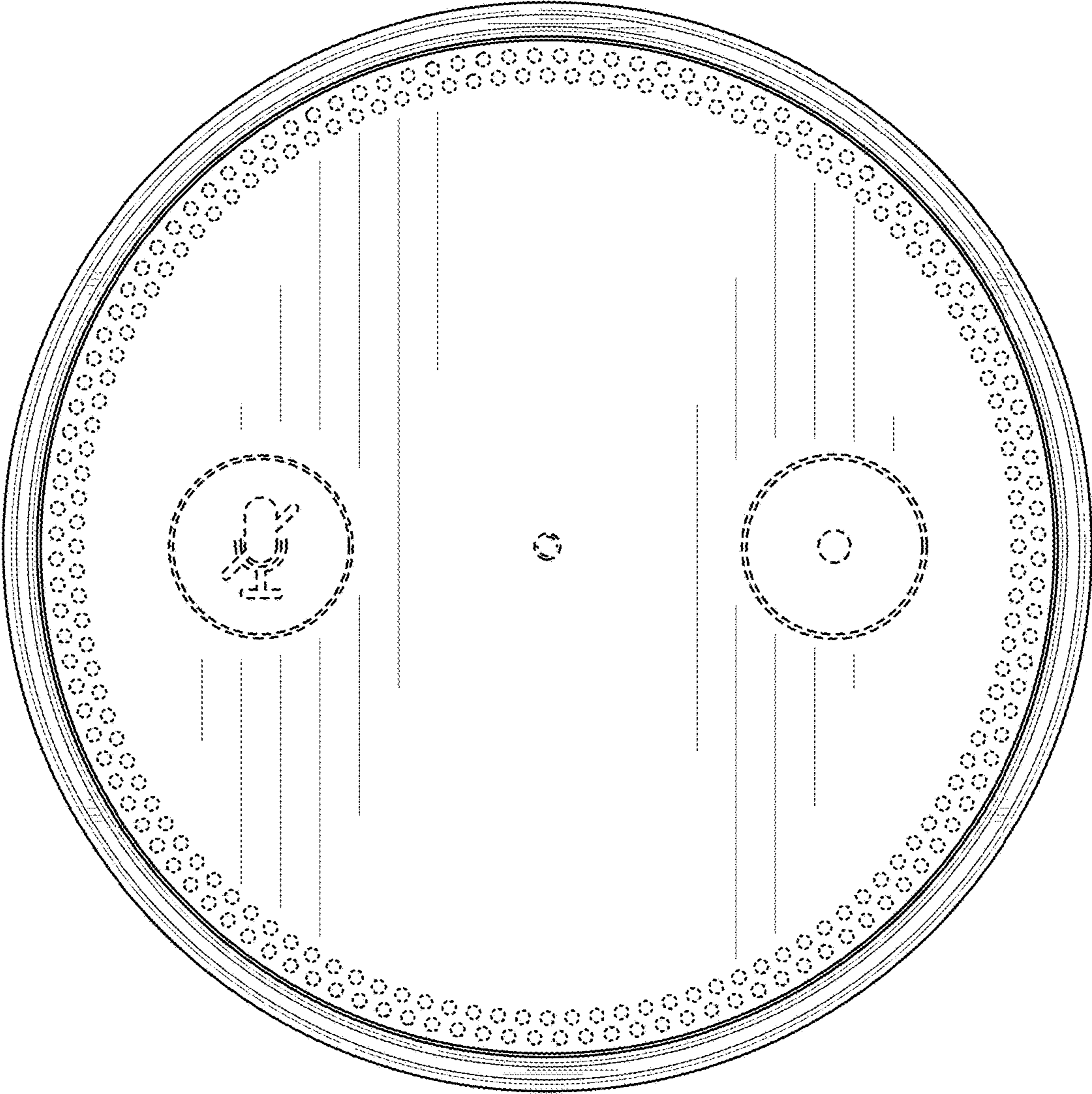


FIG. 17

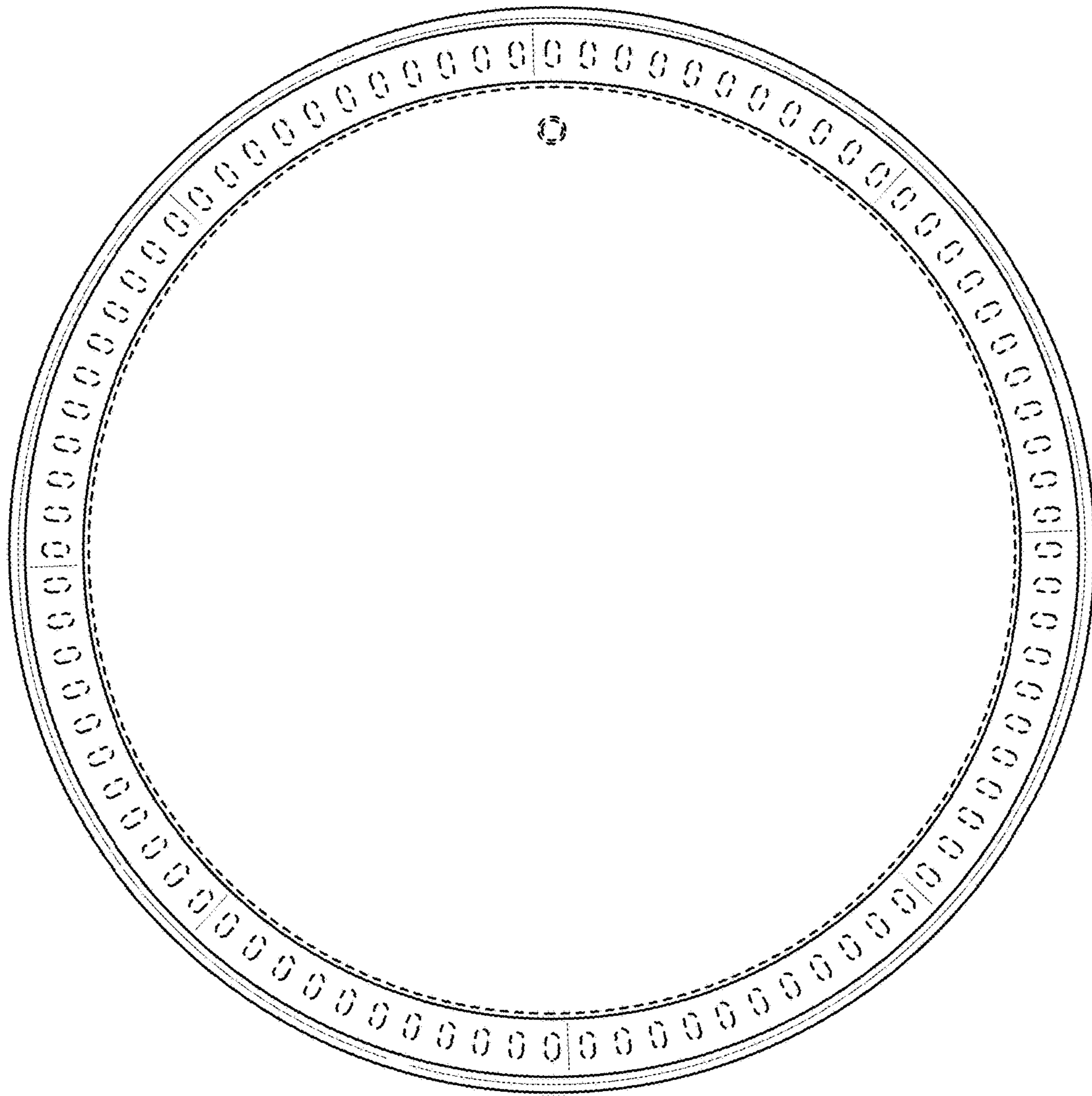


FIG. 18

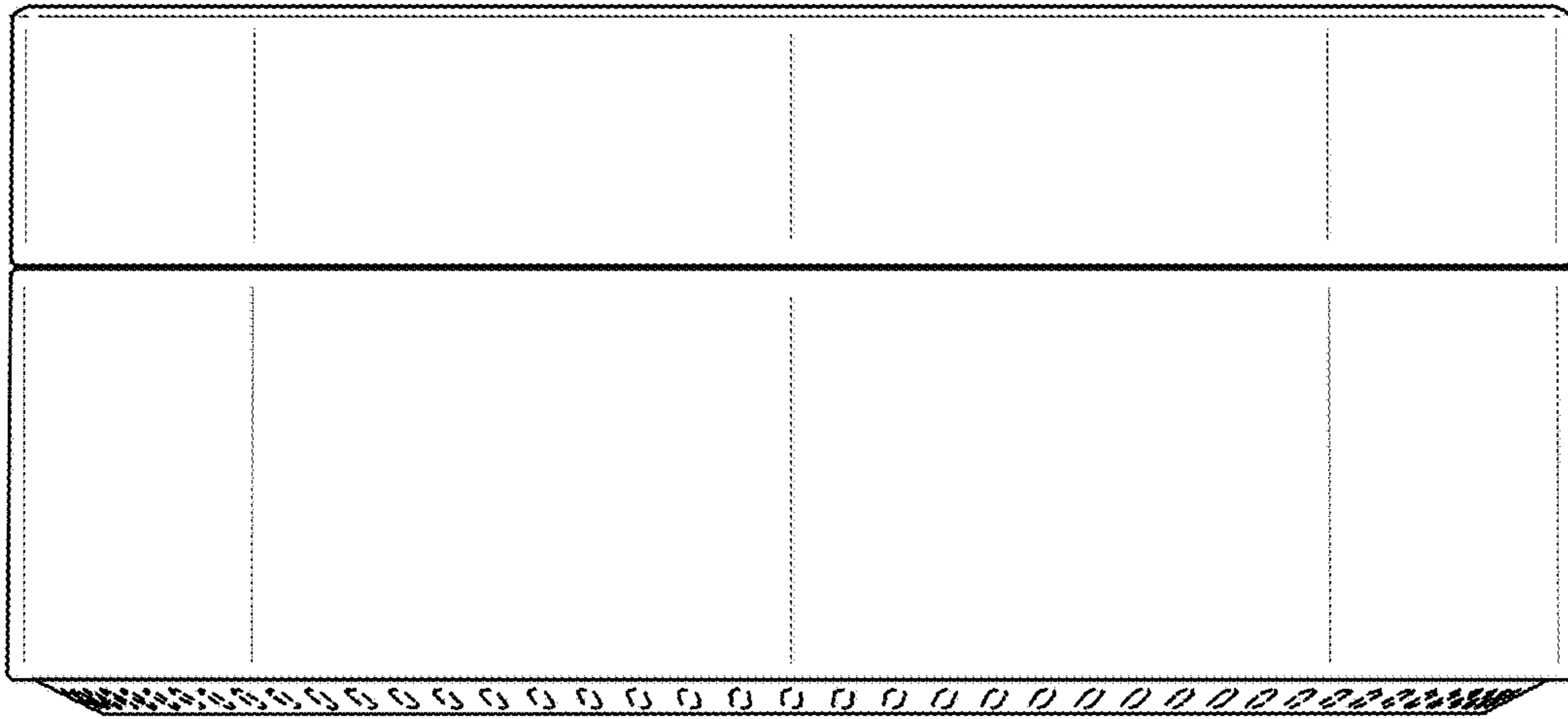


FIG. 19

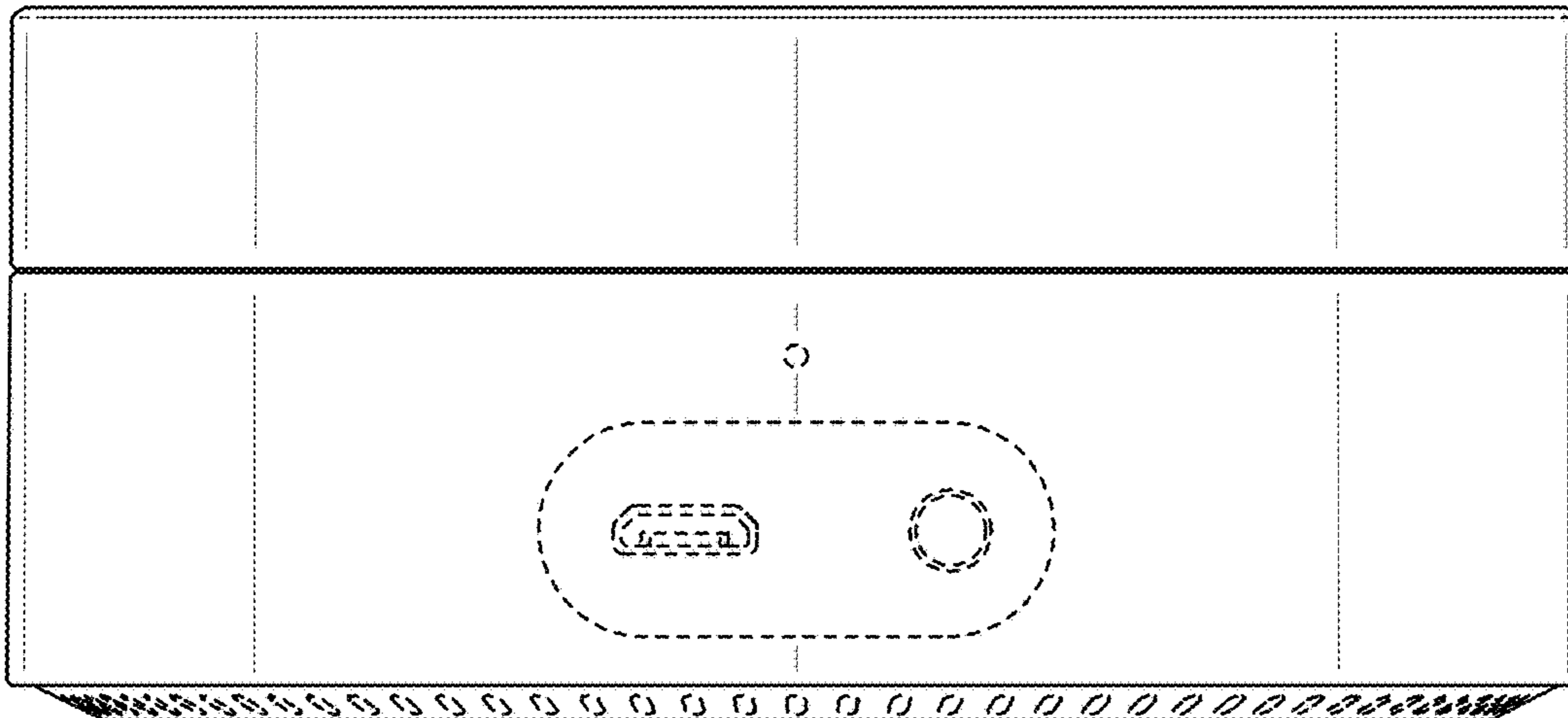


FIG. 20

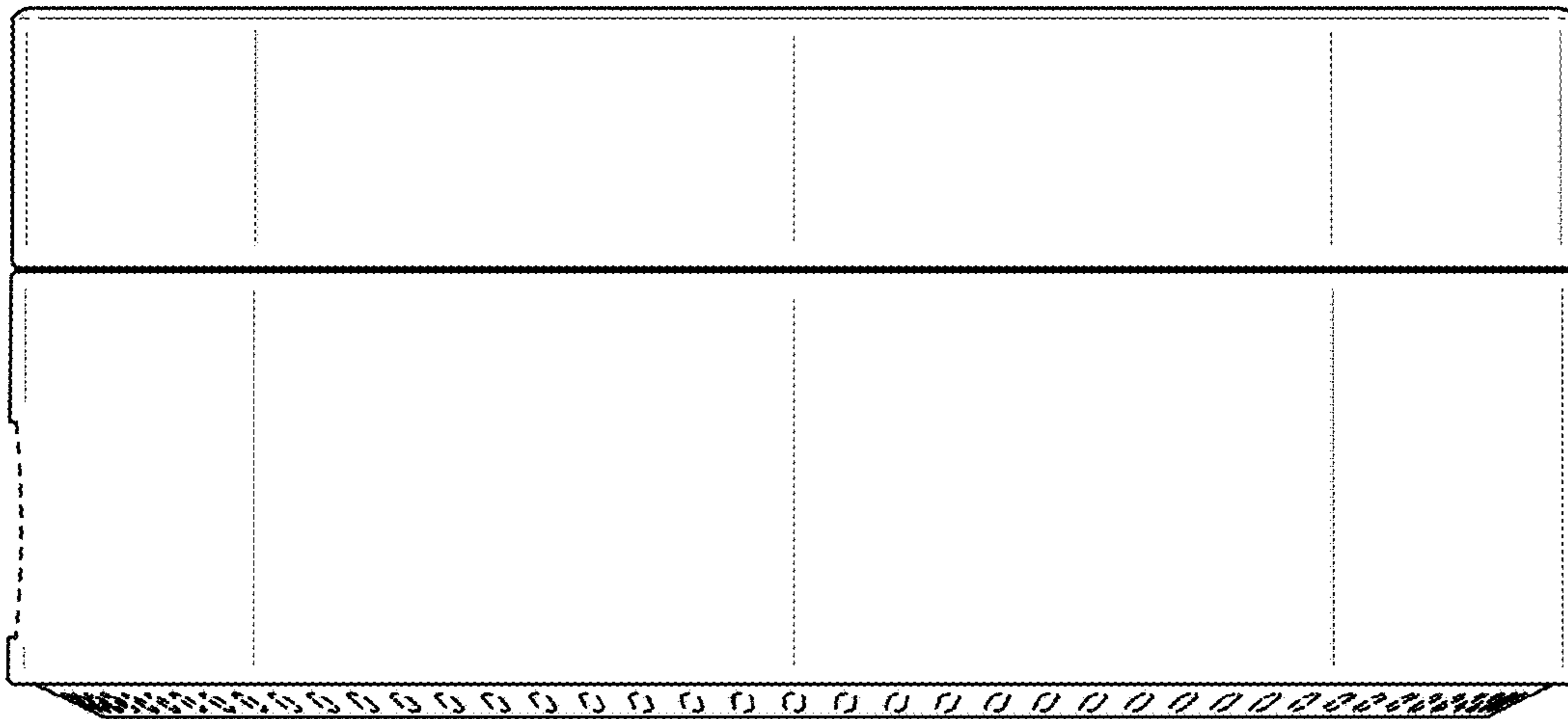


FIG. 21

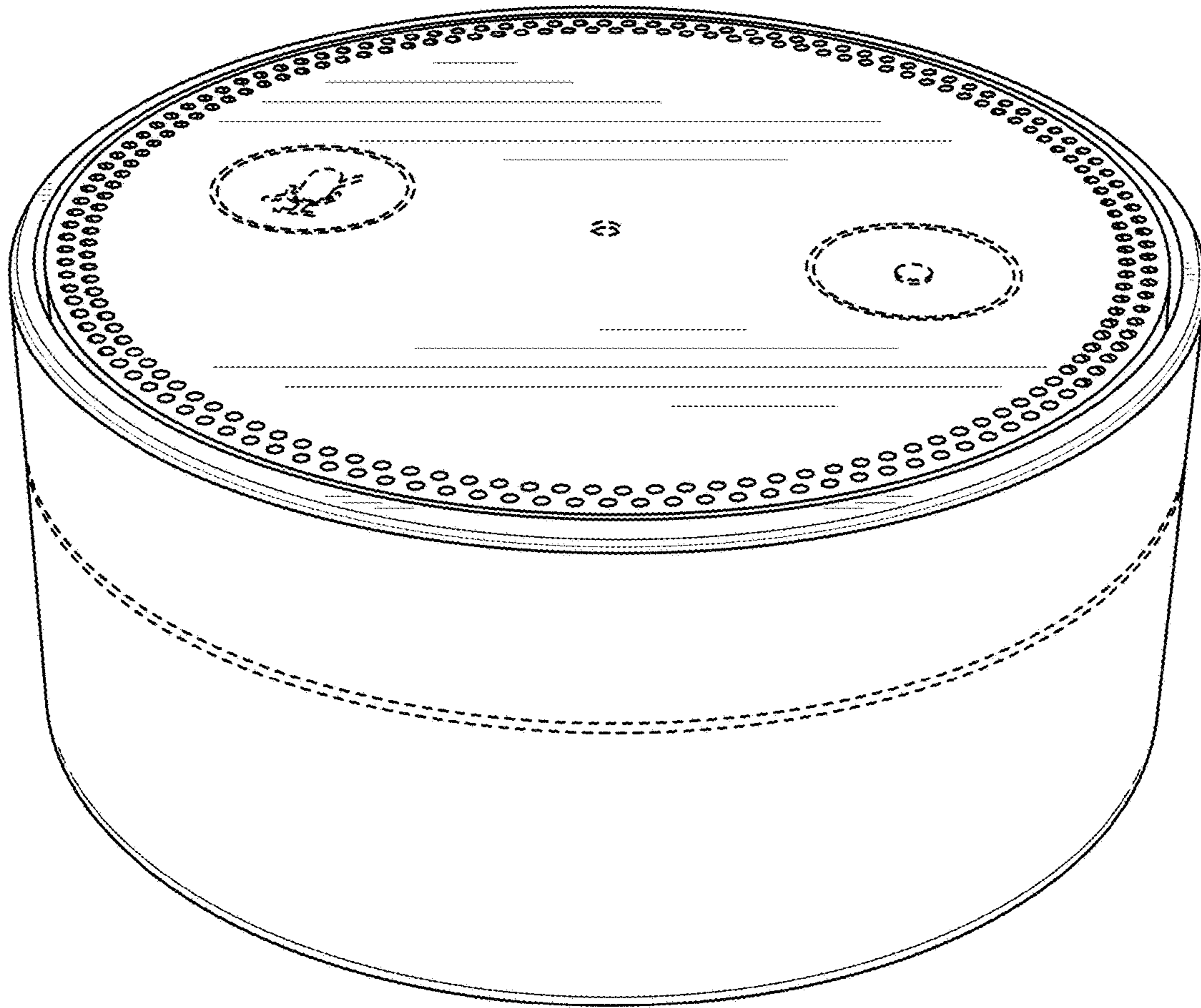


FIG. 22

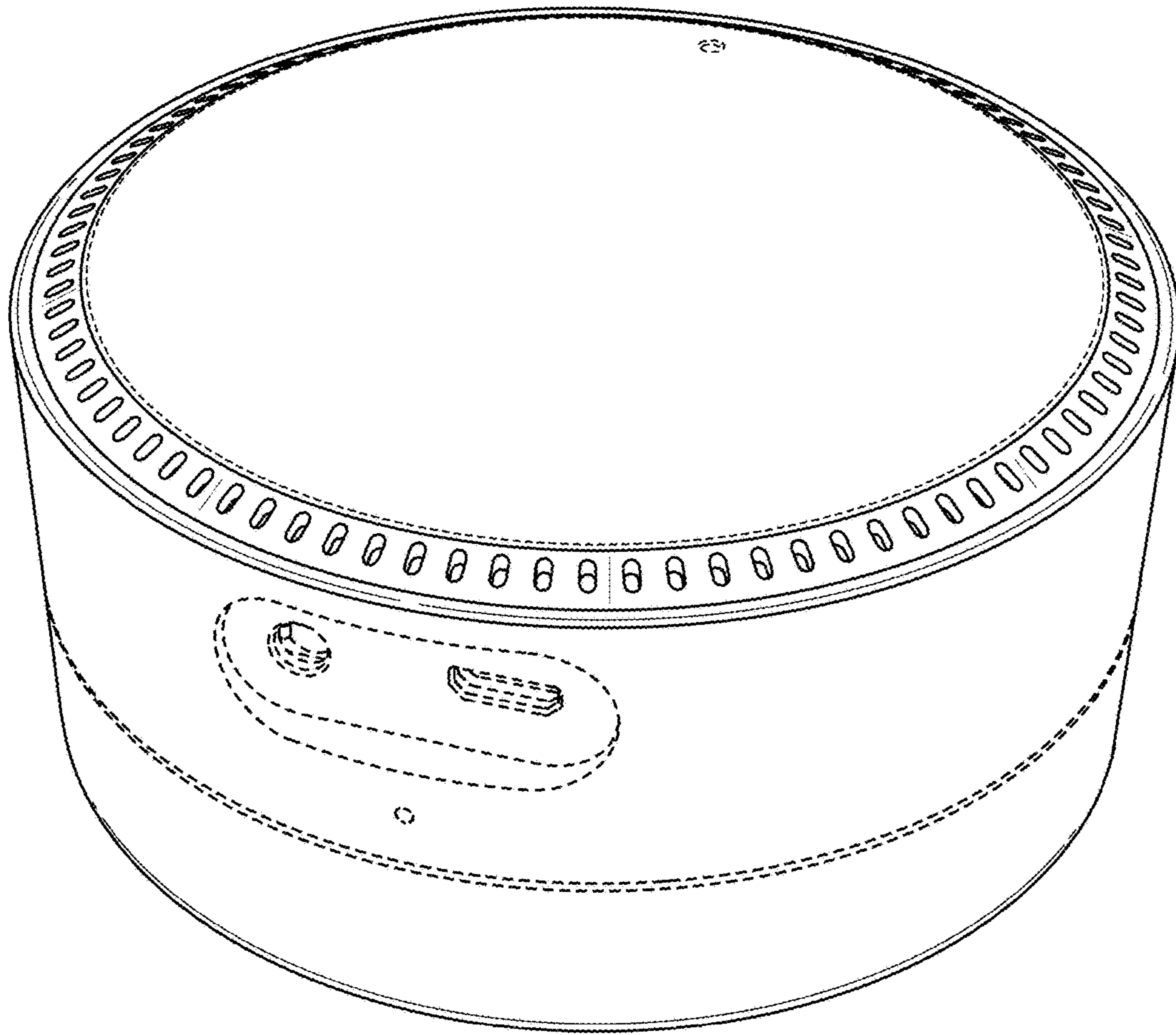


FIG. 23

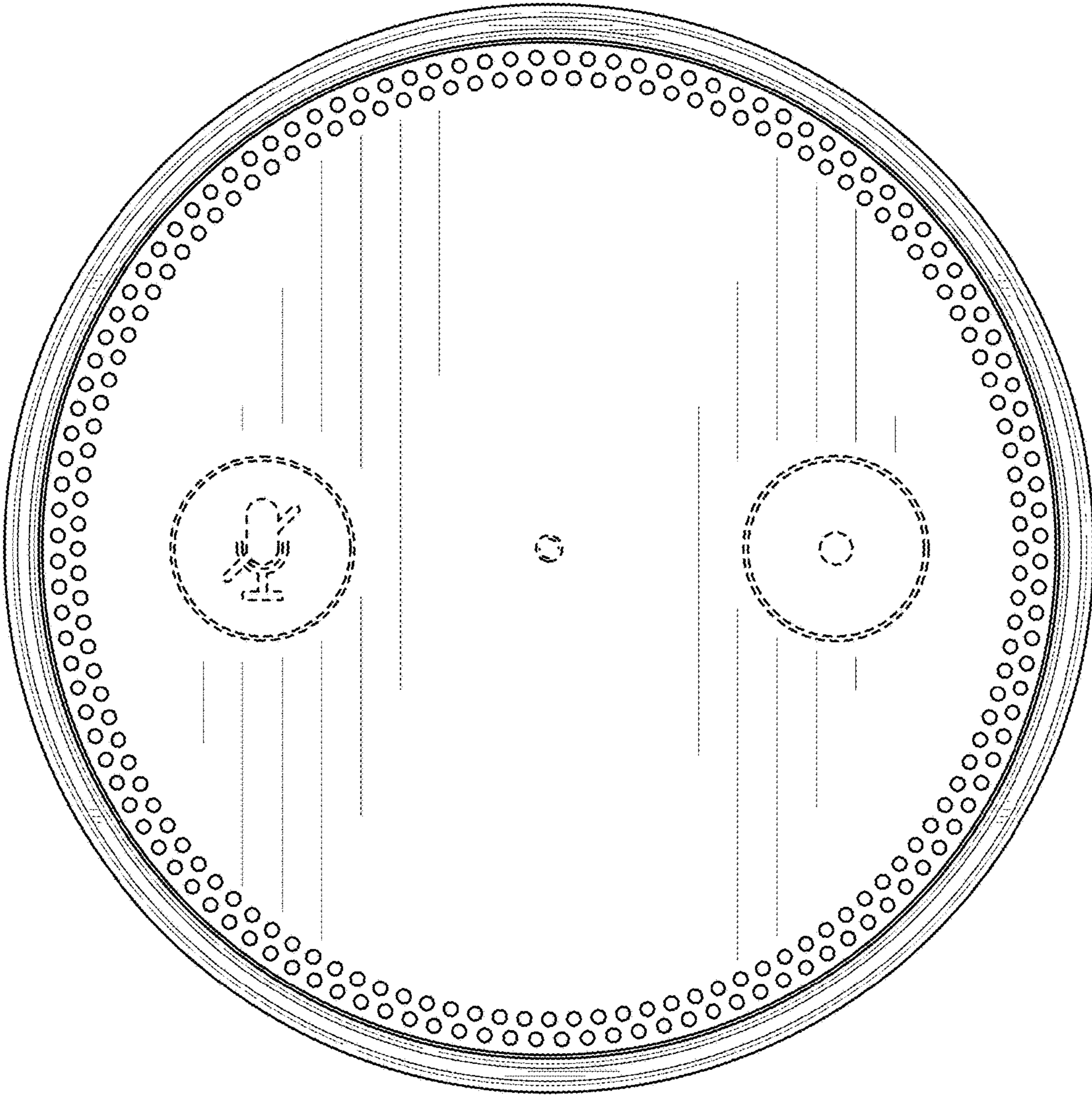


FIG. 24

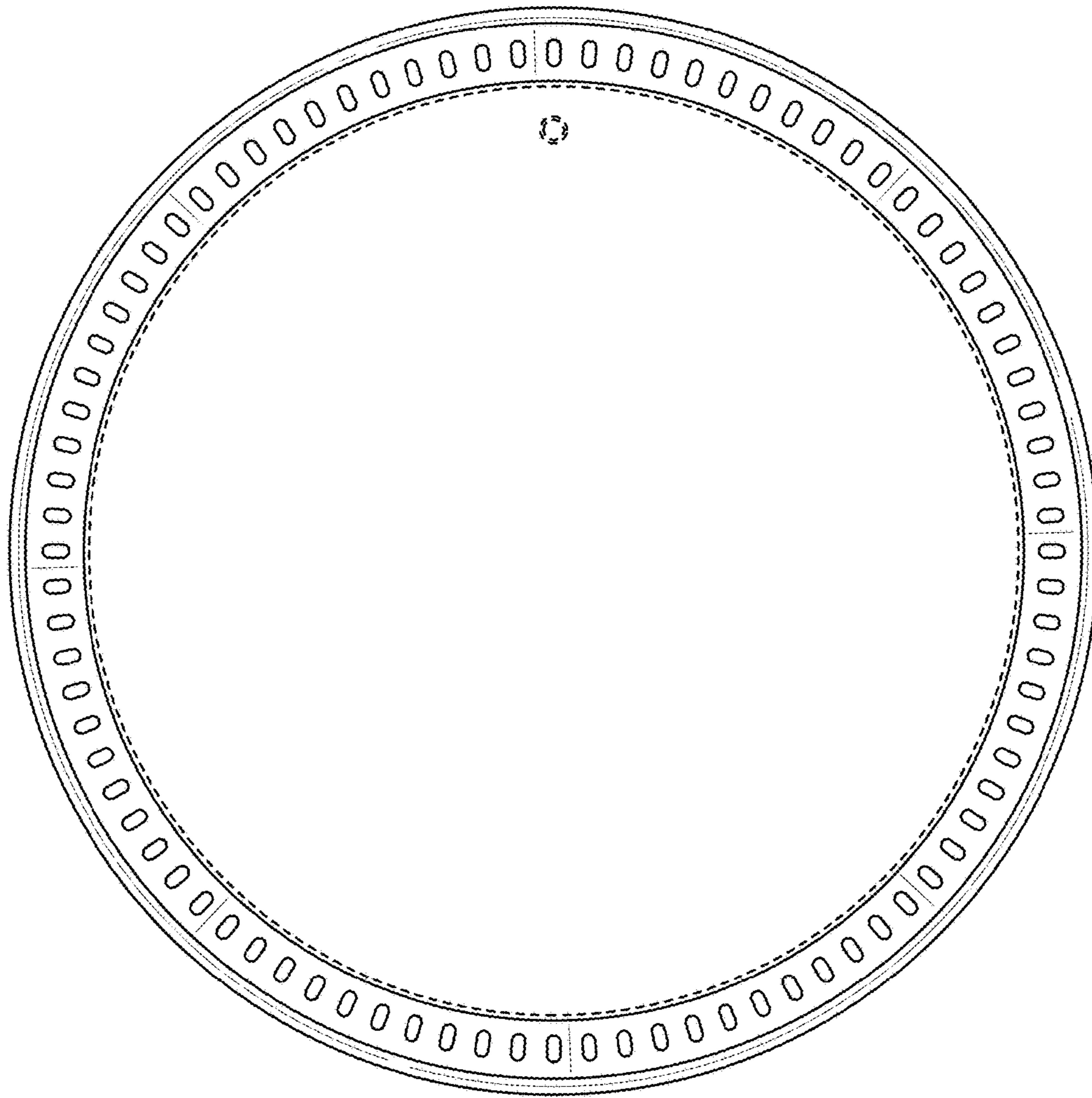


FIG. 25

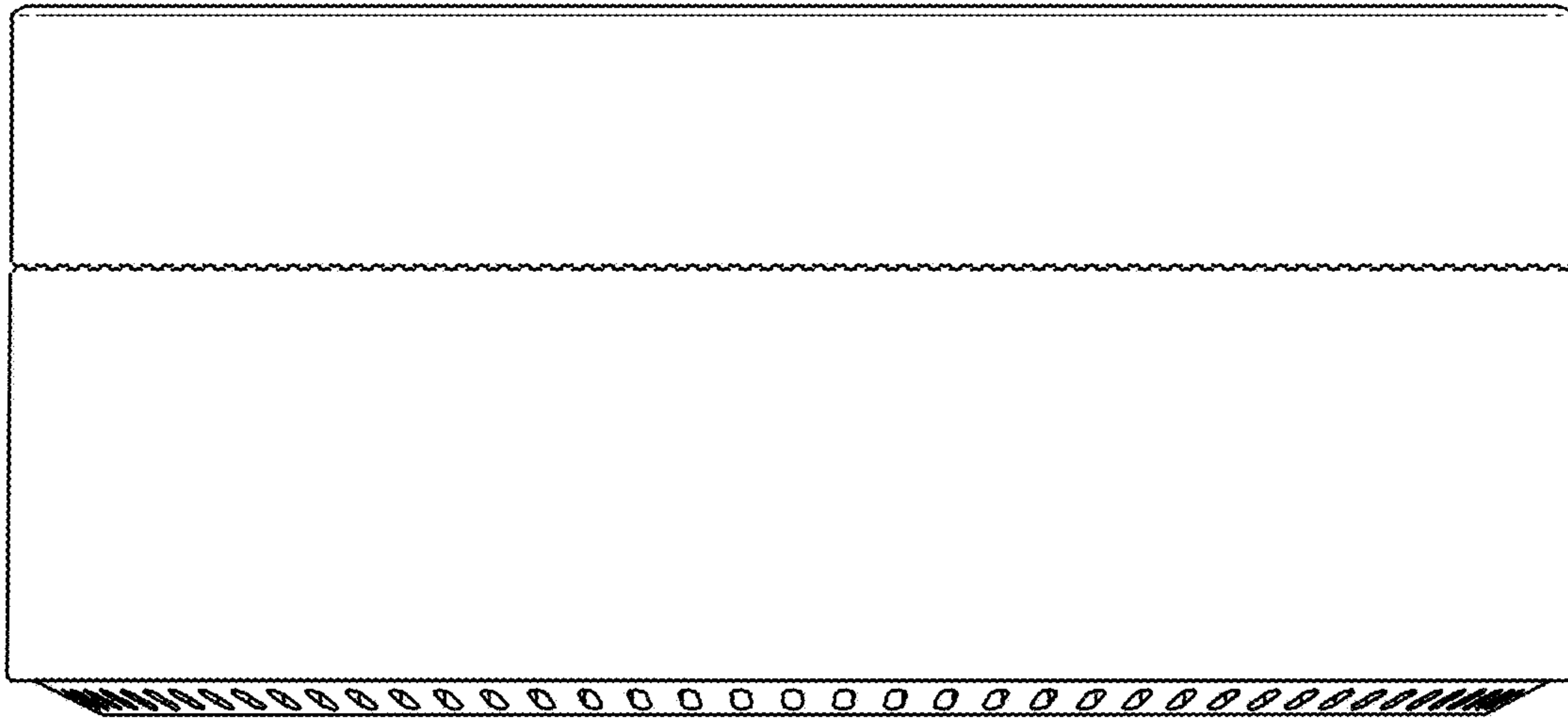


FIG. 26

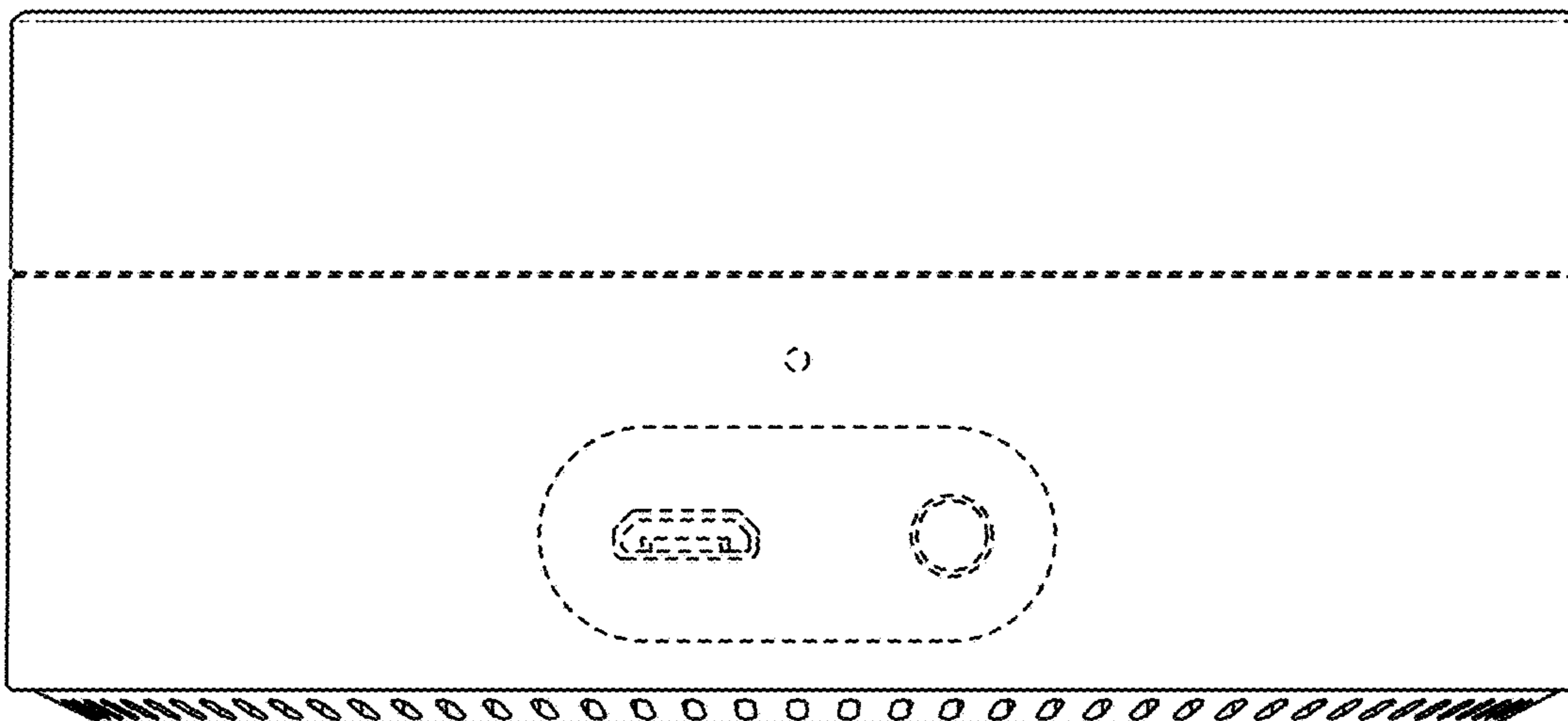


FIG. 27

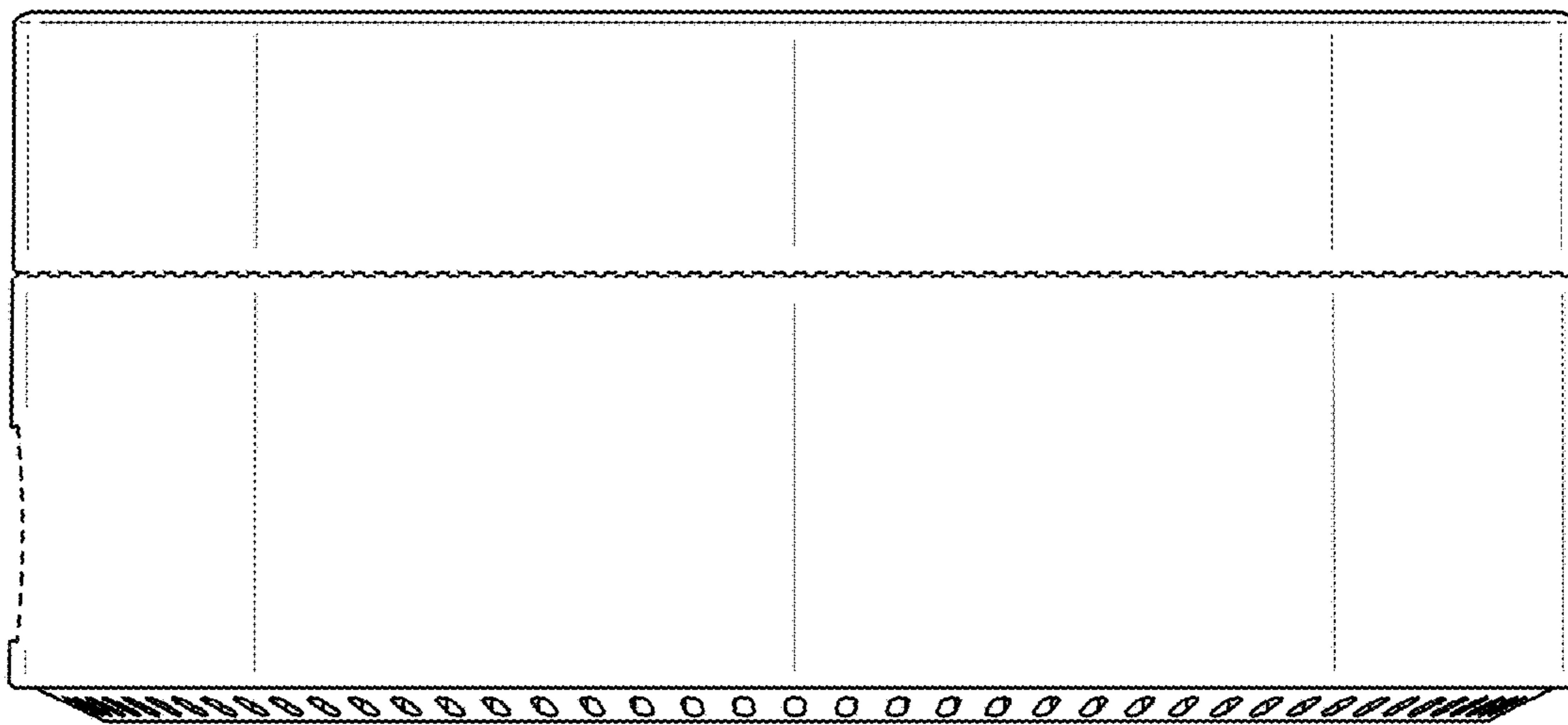


FIG. 28