



US00D815130S

(12) **United States Design Patent**
Phillips et al.

(10) **Patent No.:** **US D815,130 S**

(45) **Date of Patent:** **** Apr. 10, 2018**

(54) **DISPLAY SCREEN OR PORTION THEREOF WITH GRAPHICAL USER INTERFACE**

(71) Applicant: **SPOTIFY AB**, Stockholm (SE)

(72) Inventors: **Joe Phillips**, Stockholm (SE); **Ivo Silva**, Stockholm (SE); **Stanley Wood**, Stockholm (SE)

(73) Assignee: **SPOTIFY AB**, Stockholm (SE)

(**) Term: **15 Years**

(21) Appl. No.: **29/582,702**

(22) Filed: **Oct. 28, 2016**

(51) **LOC (11) Cl.** **14-04**

(52) **U.S. Cl.**
USPC **D14/486**; D14/488

(58) **Field of Classification Search**

USPC D14/485–488
CPC .. G06F 3/0481; G06F 3/0482; G06F 3/04842;
G06F 3/0488; G06F 3/0489; G06F
3/04817; G06F 17/30053; G06T 2200/24;
G06Q 50/01; H04L 51/32; G10H 1/0008
See application file for complete search history.

(56) **References Cited**

U.S. PATENT DOCUMENTS

D614,640 S *	4/2010	Viegers	D14/486
D658,678 S *	5/2012	Gleasant	D14/488
D664,972 S *	8/2012	Gleasant	D14/486
D675,224 S *	1/2013	Lee	D14/488
D686,237 S *	7/2013	Alucema	D14/486
D692,456 S *	10/2013	Brinda	D14/488
D695,780 S *	12/2013	Edwards	D14/488
D701,227 S *	3/2014	Lee	D14/486
D735,751 S *	8/2015	Hwang	D14/487

(Continued)

OTHER PUBLICATIONS

Arora, Hitesh, Spotify Update Adds New Button, Jun. 4, 2014, gadgets.ndtv.com [online], [site visited Nov. 8, 2017]. Available from Internet: <https://gadgets.ndtv.com/apps/news/spotify-update-adds-new-button-to-download-entire-music-collection-536089> (Year: 2014).*

(Continued)

Primary Examiner — Karen E Kearney

Assistant Examiner — Katherine A Holbrow

(74) *Attorney, Agent, or Firm* — Tucker Ellis LLP

(57) **CLAIM**

The ornamental design for a display screen or portion thereof with graphical user interface, thereof, as shown.

DESCRIPTION

FIG. 1 is a front view of a display screen with a graphical user interface showing a first image of a sequence for our new design;

FIG. 2 is a second image thereof;

FIG. 3 is a third image thereof;

FIG. 4 is a fourth image thereof;

FIG. 5 is a fifth image thereof;

FIG. 6 is a sixth image thereof;

FIG. 7 is a seventh image thereof;

FIG. 8 is an eighth image thereof;

FIG. 9 is a ninth image thereof;

FIG. 10 is a tenth image thereof;

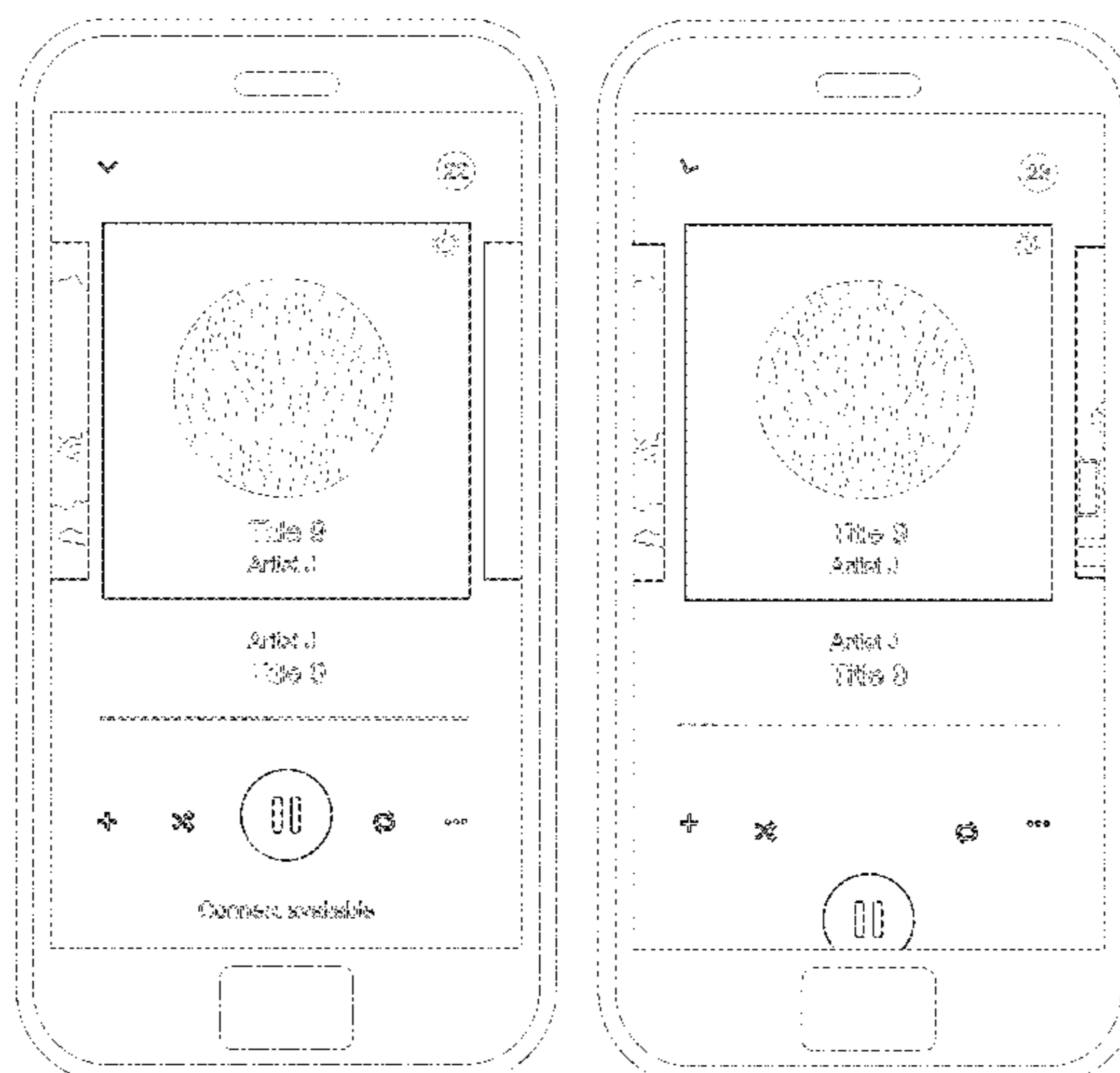
FIG. 11 is an eleventh image thereof; and,

FIG. 12 is a twelfth image thereof.

The appearance of the transitional image sequentially transitions between the images shown in FIGS. 1-12. The process or period in which one image transitions to another image forms no part of the claimed design.

Broken lines shown in the figures illustrate a display screen or portion thereof, and form no part of the claimed design. Other broken lines shown in the figures illustrate portions of a graphical user interface that form no part of the claimed design.

1 Claim, 12 Drawing Sheets



(56)

References Cited

U.S. PATENT DOCUMENTS

D736,246	S *	8/2015	Zhang	D14/488
D737,314	S *	8/2015	Shiplacoff	D14/488
D745,545	S *	12/2015	Lee	D14/486
D746,866	S *	1/2016	Memoria	D14/492
D754,169	S *	4/2016	Kaplan	D14/486
D754,719	S *	4/2016	Zha	D14/488
D758,423	S *	6/2016	Singh	D14/488
D762,671	S *	8/2016	Chan	D14/485
D767,616	S *	9/2016	Jones	D14/487
D787,543	S *	5/2017	Qiu	D14/486
D794,651	S *	8/2017	Cavander	D14/485
D796,540	S *	9/2017	McLean	D14/487
D798,899	S *	10/2017	Wen	D14/488
D800,152	S *	10/2017	Wu	D14/486
2008/0024444	A1 *	1/2008	Abe	G06F 3/0485 345/157
2011/0025711	A1 *	2/2011	Doi	G06F 3/0485 345/635
2012/0017147	A1 *	1/2012	Mark	G06F 1/1639 715/702
2015/0067582	A1 *	3/2015	Donnelly	G06F 3/0485 715/784

OTHER PUBLICATIONS

Kasanmasch, Markus, How to add your own MP3s to Spotify, May 14, 2016, softonic.com [online], [site visited Nov. 3, 2017]. Available from Internet: <https://en.softonic.com/articles/how-to-add-your-own-mp3s-to-spotify> (Year: 2016).*

* cited by examiner

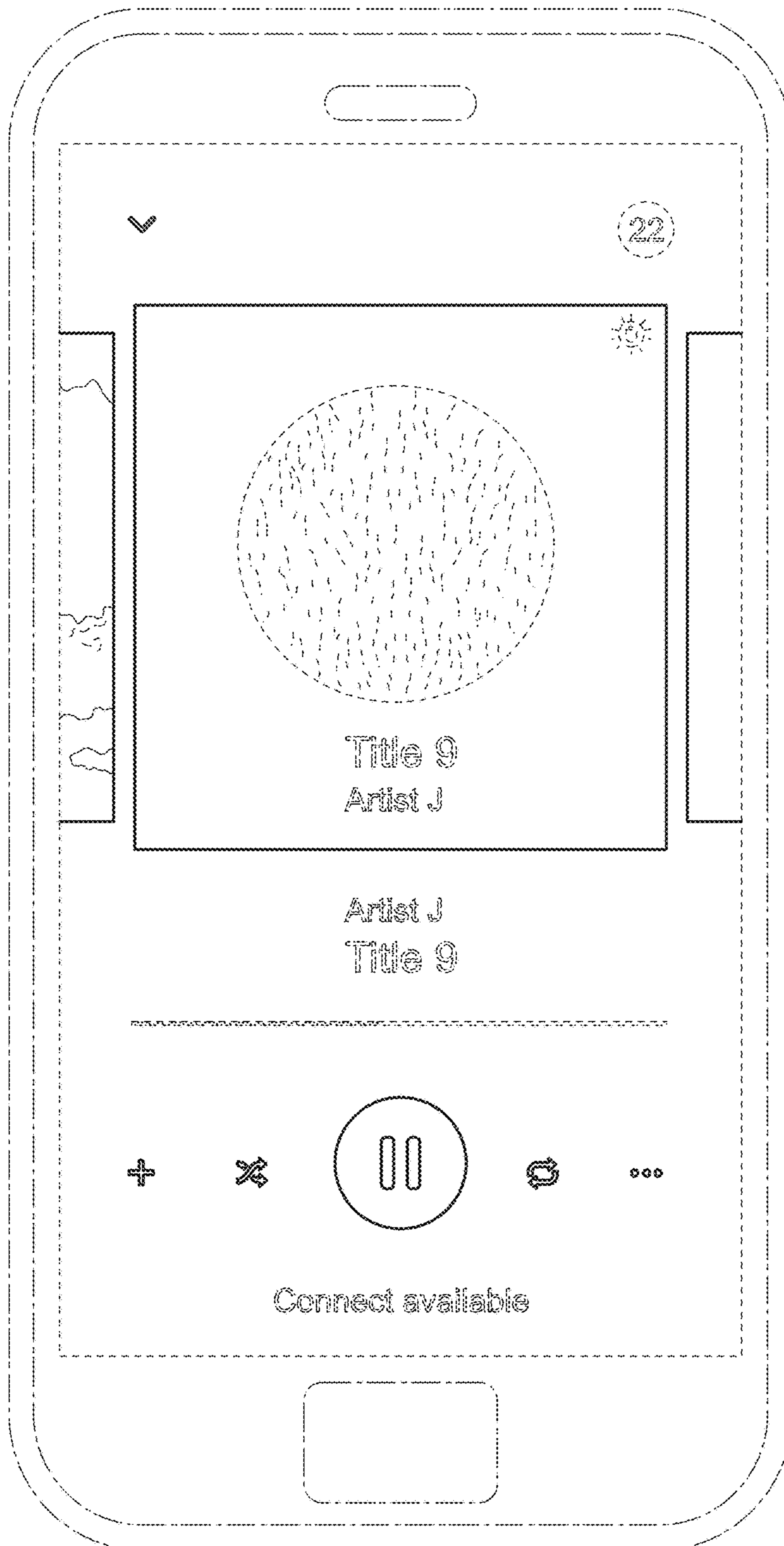


FIG. 1

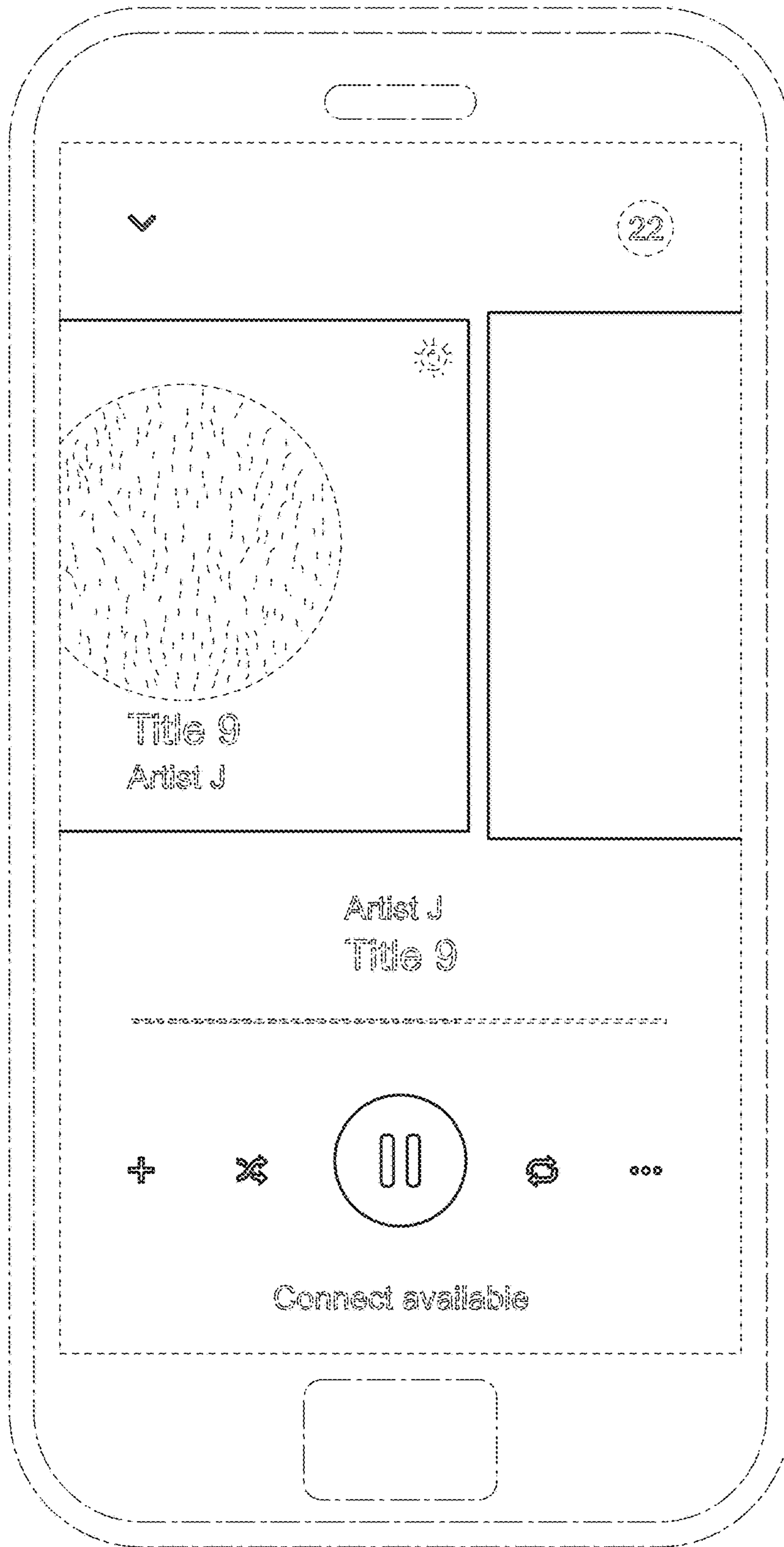


FIG. 2

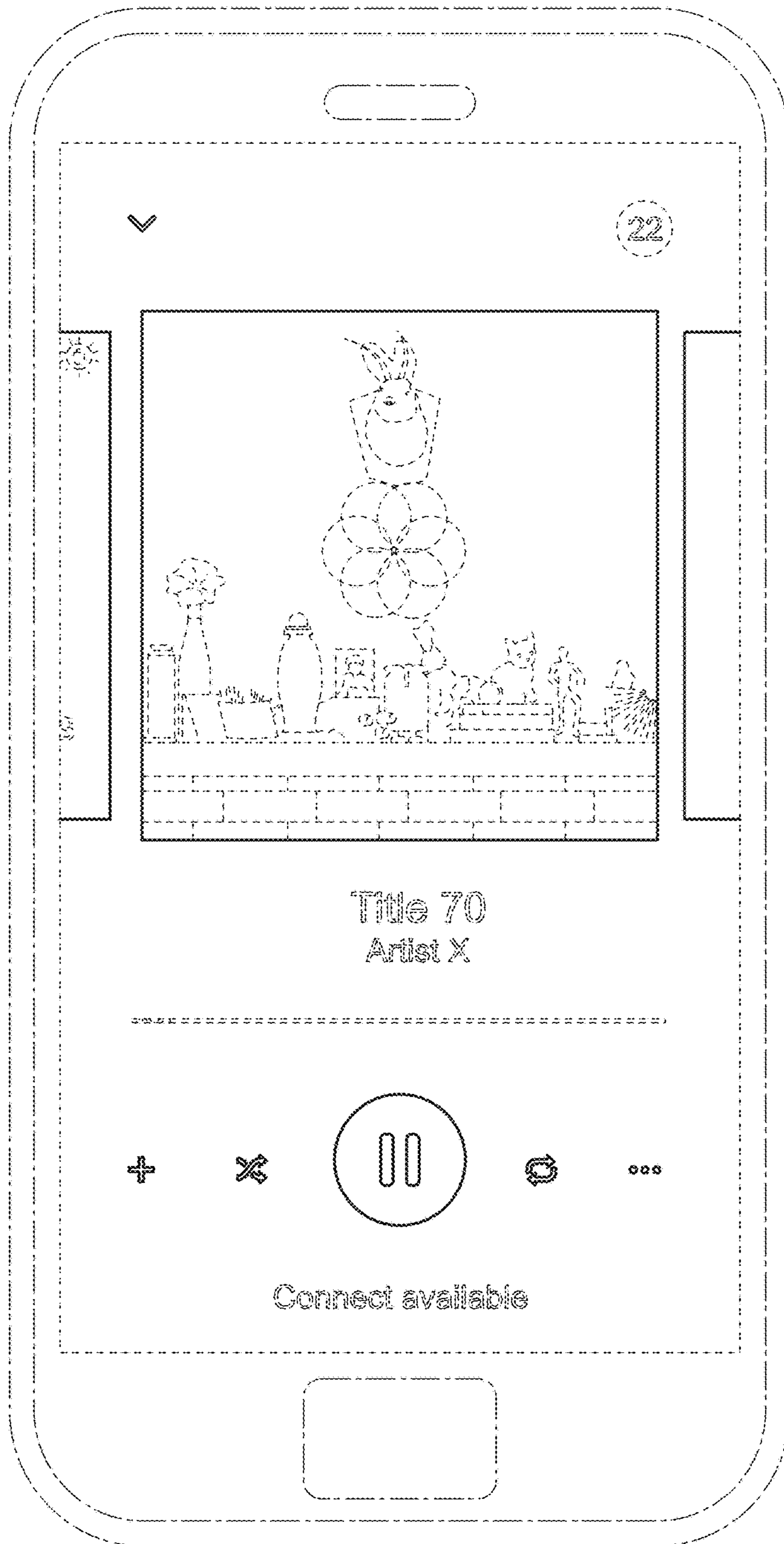


FIG. 3

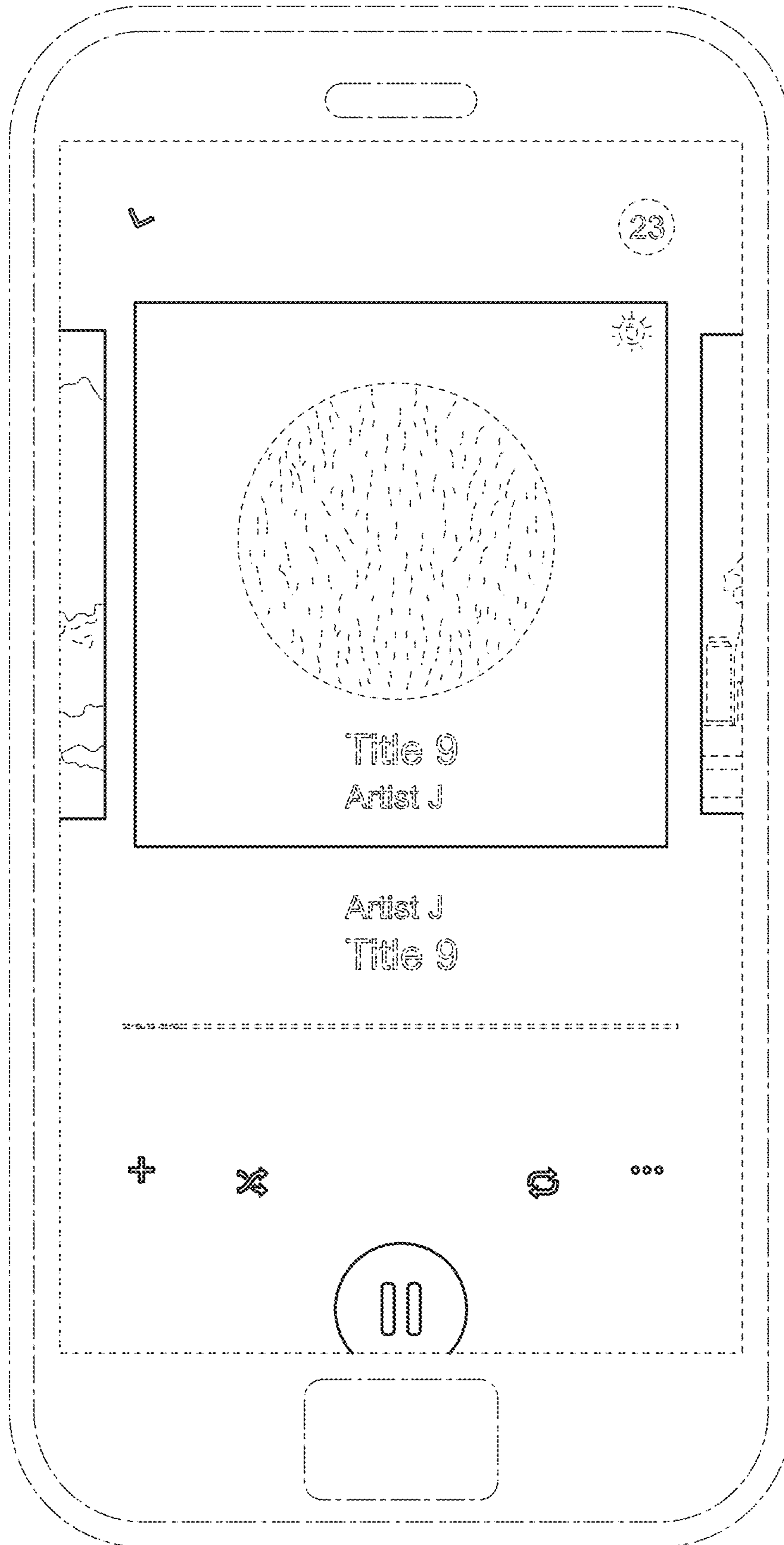


FIG. 4

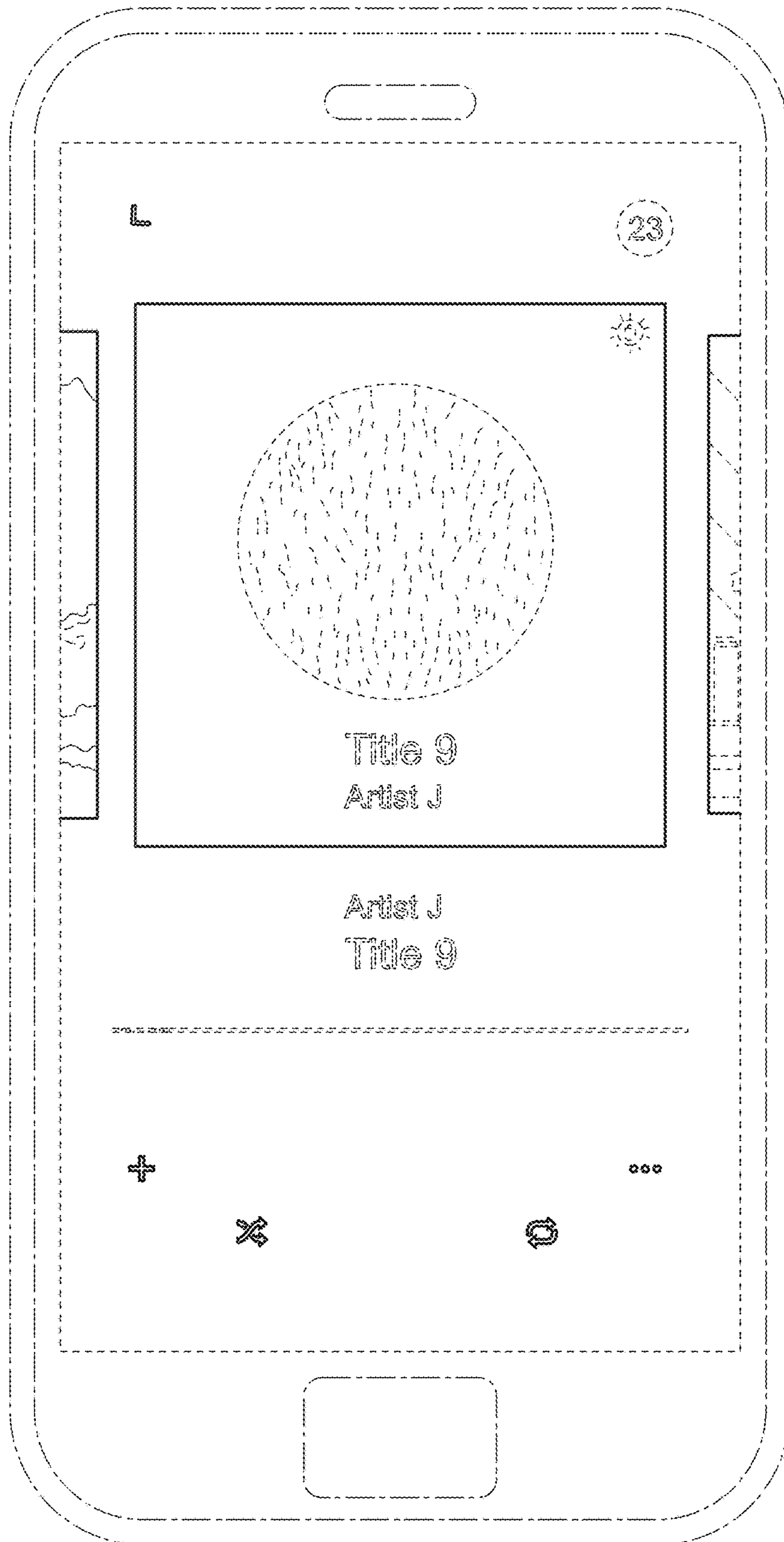


FIG. 5

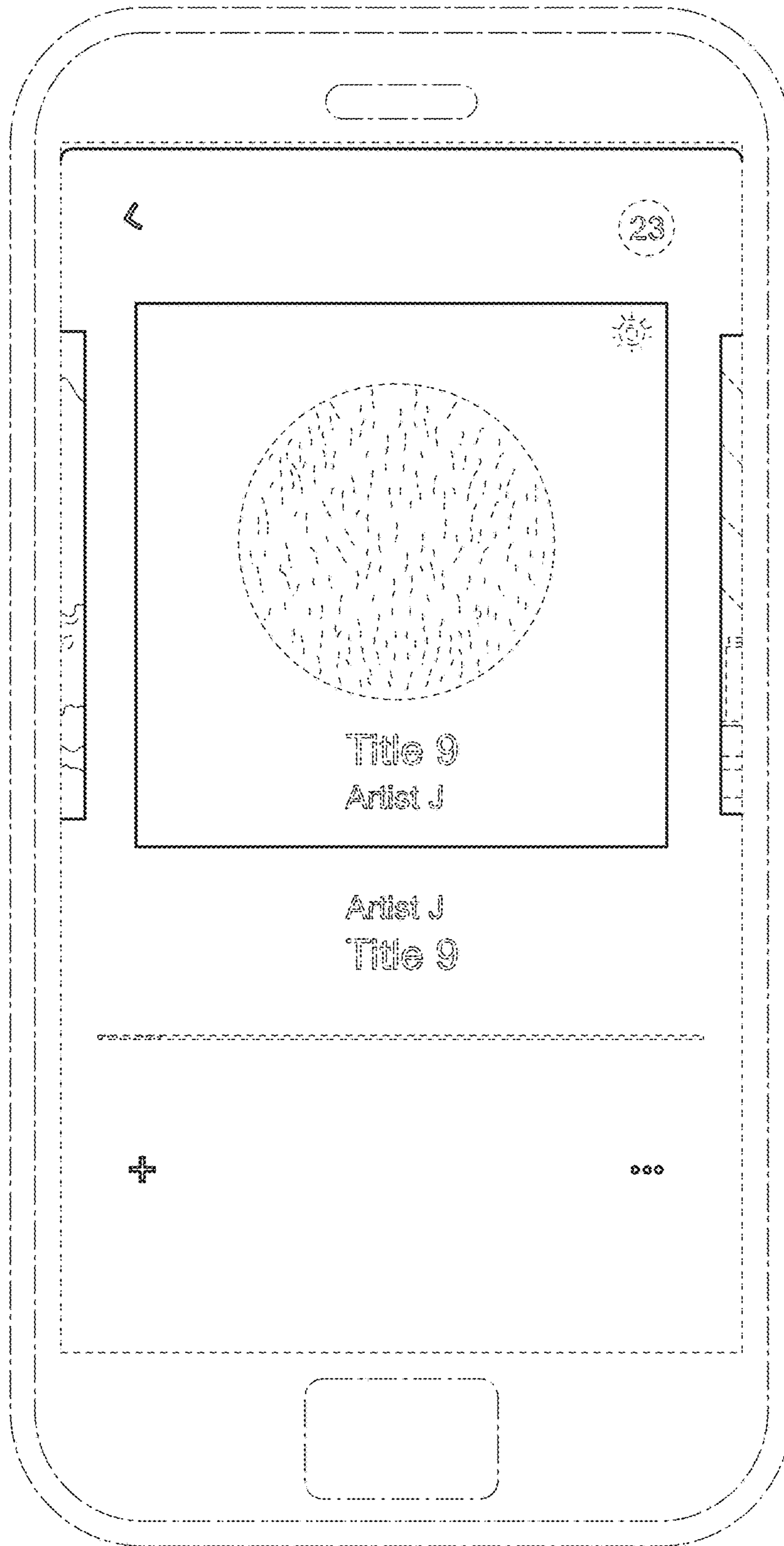


FIG. 6

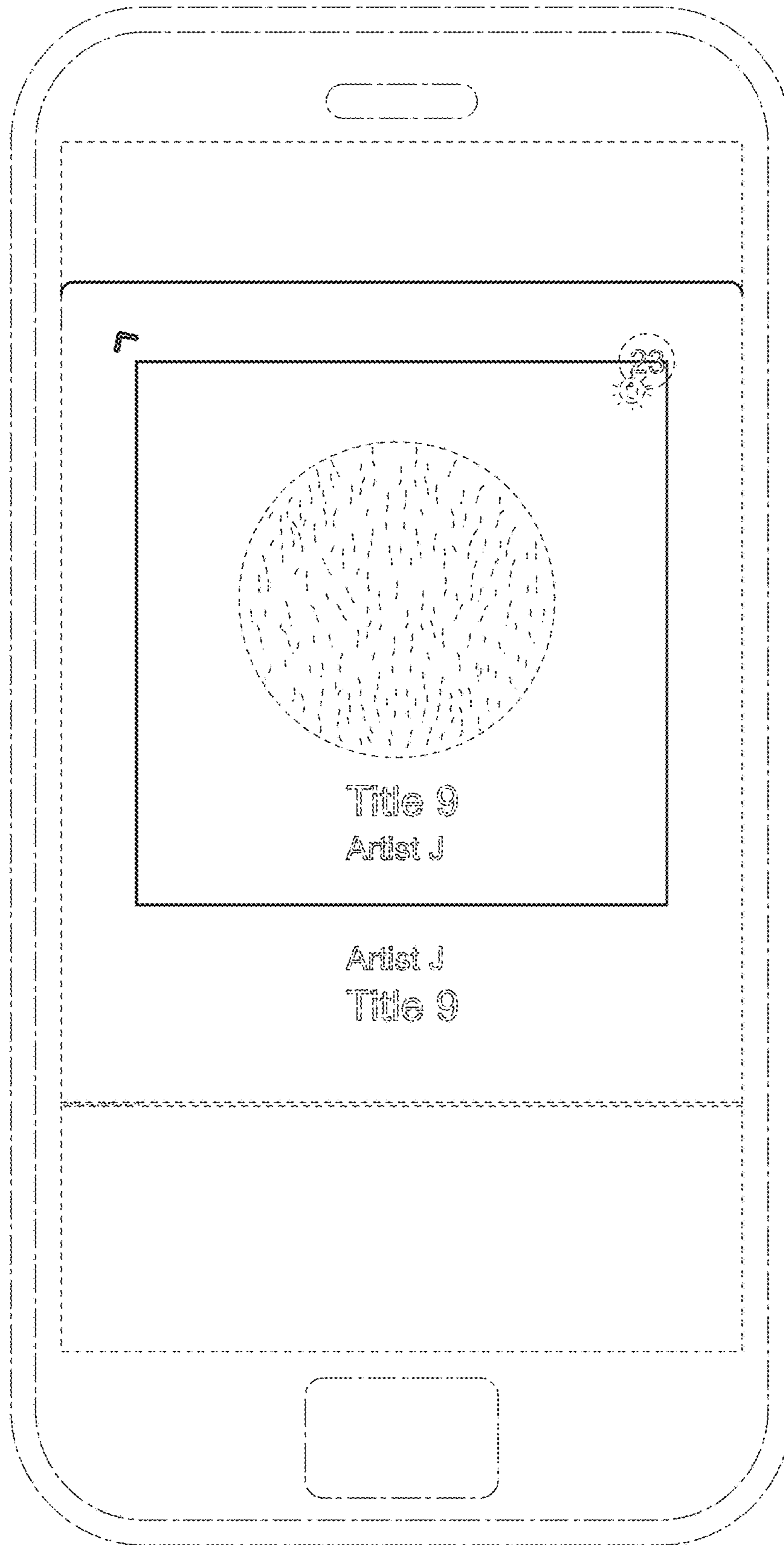


FIG. 7

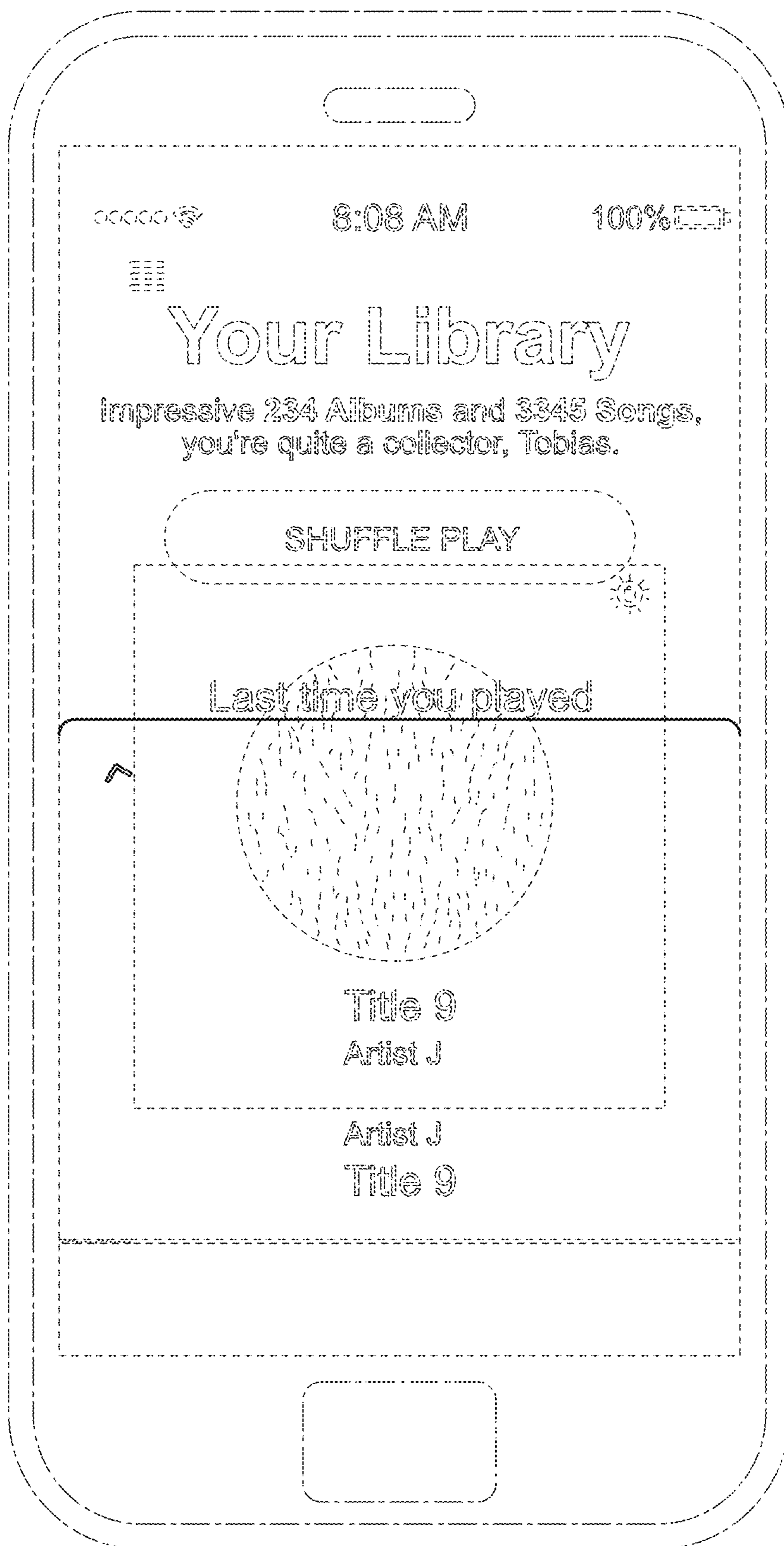


FIG. 8

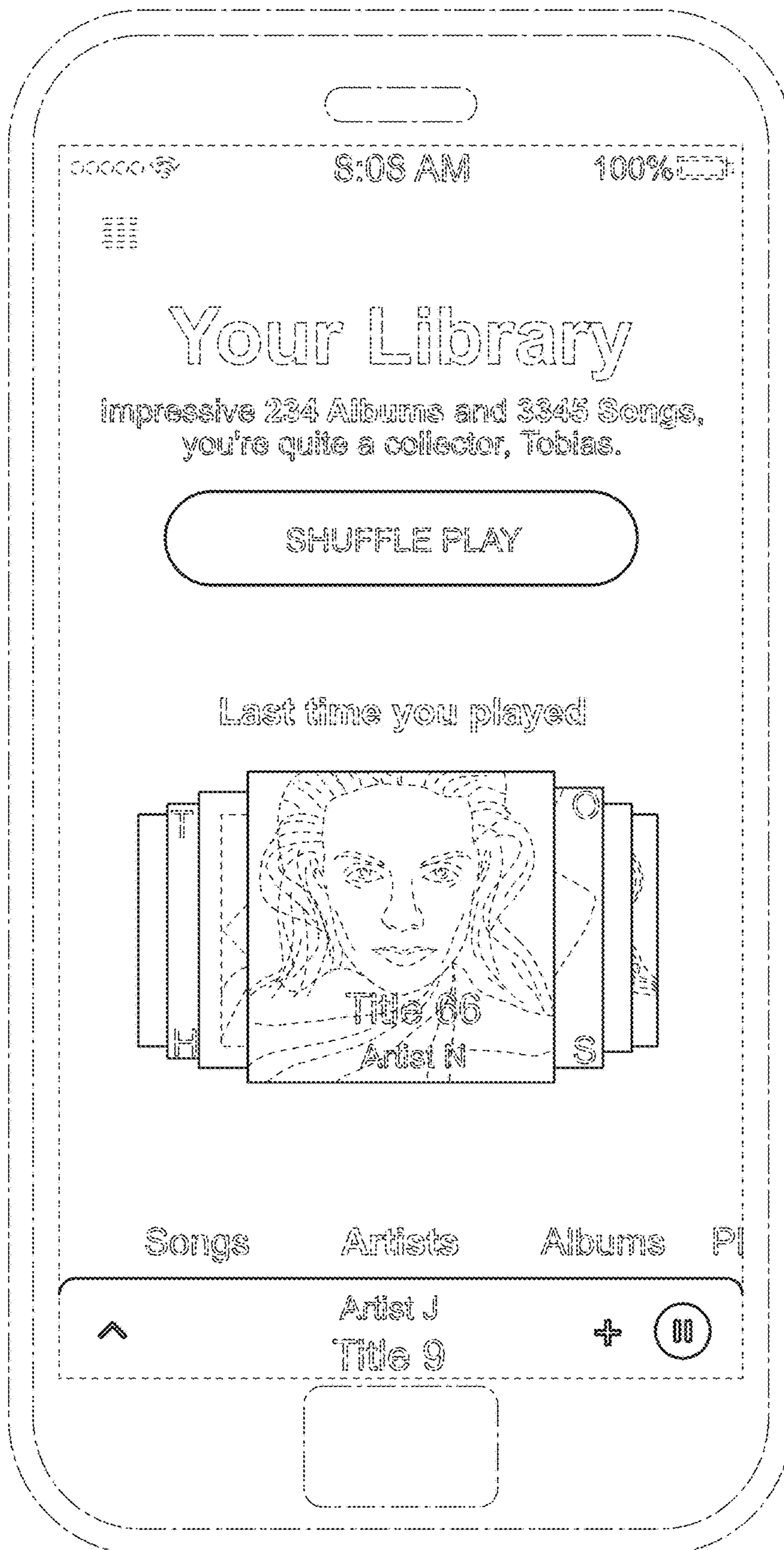


FIG. 9

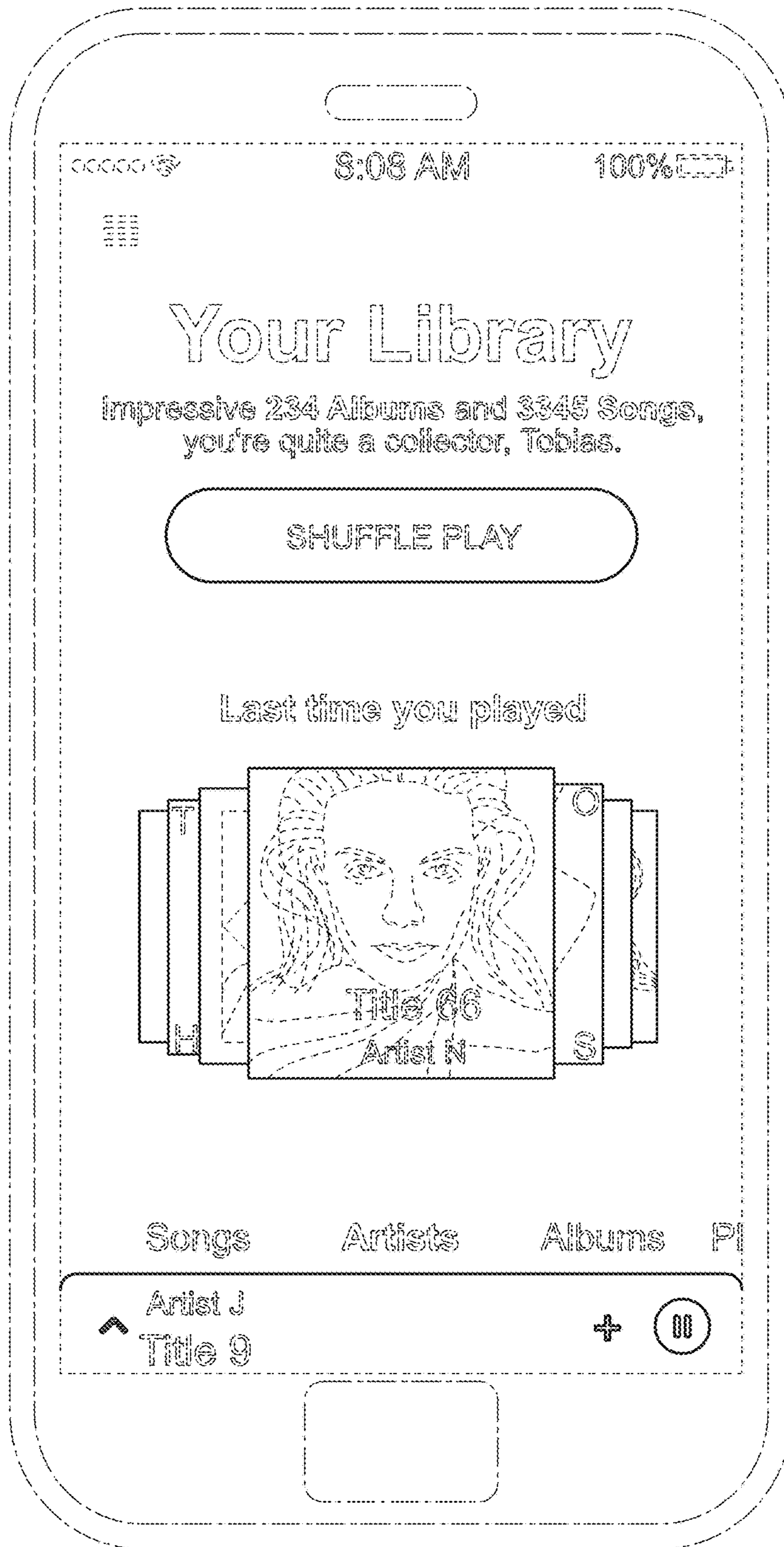


FIG. 10

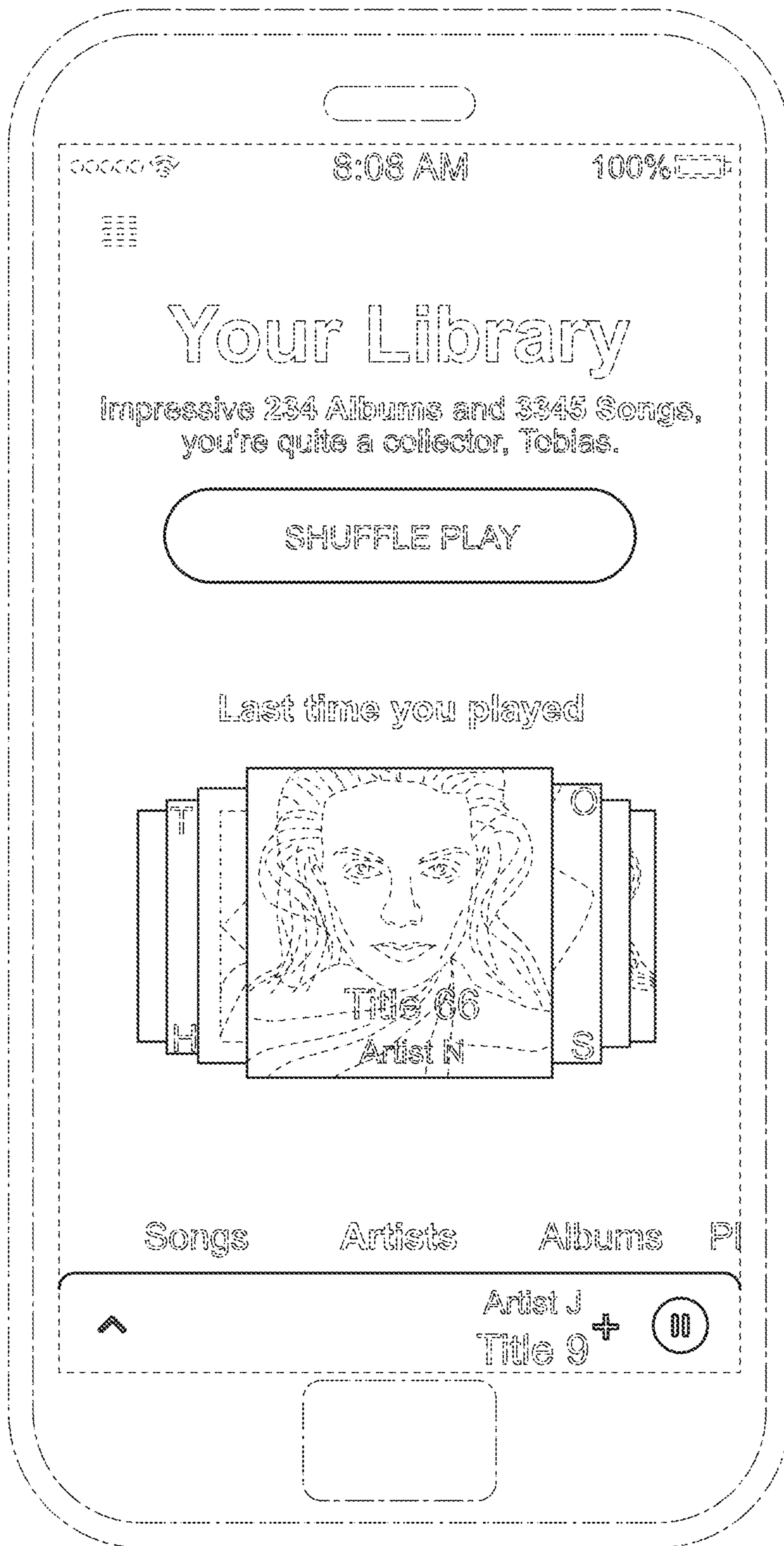


FIG. 11

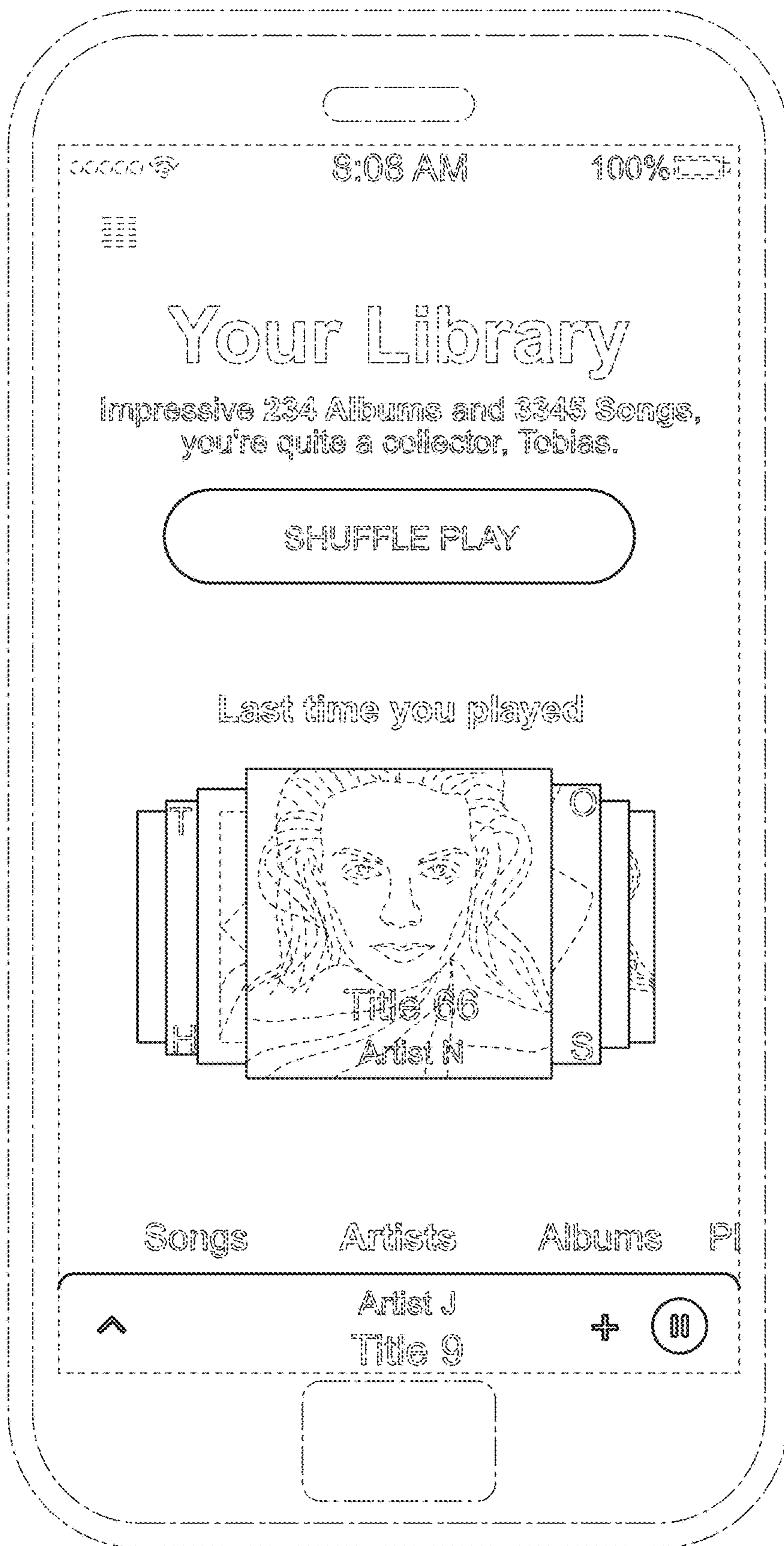


FIG. 12