



US00D815106S

(12) **United States Design Patent** (10) **Patent No.:** **US D815,106 S**
Ozolins et al. (45) **Date of Patent:** **** Apr. 10, 2018**

(54) **ELECTRONIC FOB**

(56) **References Cited**

(71) Applicant: **BLOOMBERG FINANCE L.P.**, New York, NY (US)

U.S. PATENT DOCUMENTS

(72) Inventors: **Helmars E. Ozolins**, Orient, NY (US);
Avram Kaufman, New York, NY (US);
Adam Goldsmith, Larchmont, NY (US);
Sean Roarty, Ossining, NY (US);
Sigrid G. Moeslinger, New York, NY (US);
Masamichi Udagawa, New York, NY (US)

D558,763 S	*	1/2008	Morganstern	D14/480.7
D582,419 S		12/2008	Sheba		
D592,670 S		5/2009	Lee		
D610,588 S		2/2010	Chen		
D631,055 S		1/2011	Gilbert		
D638,430 S		5/2011	Lee		
D670,885 S	*	11/2012	Merrick	D99/37
D682,841 S		5/2013	Suetake		
D700,372 S		2/2014	Altman		
D706,787 S		6/2014	Emami		
D711,389 S		8/2014	Sun		
D711,391 S		8/2014	Lee		
D729,277 S		5/2015	Uchida		

(73) Assignee: **BLOOMBERG FINANCE L.P.**, New York, NY (US)

(Continued)

(**) Term: **15 Years**

OTHER PUBLICATIONS

(21) Appl. No.: **29/550,568**

Gold Bar USB Flash Drive, downloaded from <http://internetsiao.com/gold-bar-usb-flash-drive>, posted Dec. 3, 2010.

(22) Filed: **Jan. 5, 2016**

Primary Examiner — Rosemary K Tarcza
Assistant Examiner — Nathaniel D. Buckner
(74) *Attorney, Agent, or Firm* — Chiesa Shahinian & Giantomasi PC

Related U.S. Application Data

(62) Division of application No. 29/511,929, filed on Dec. 15, 2014, now Pat. No. Des. 750,096.

(57) **CLAIM**

The ornamental design for an electronic fob, as shown and described.

(51) **LOC (11) Cl.** **14-99**

DESCRIPTION

(52) **U.S. Cl.**

USPC **D14/480.4**

(58) **Field of Classification Search**

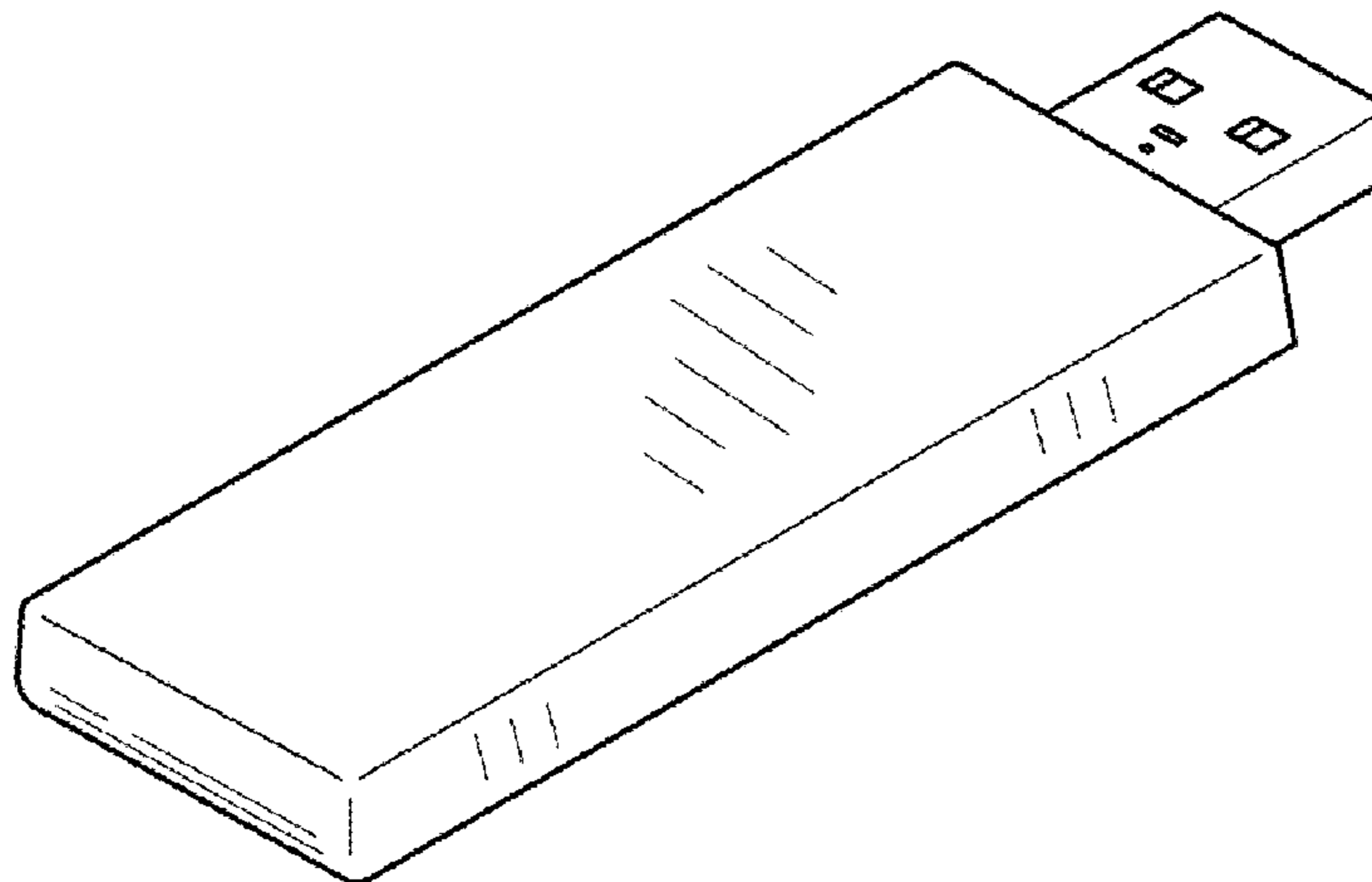
USPC D14/411, 433, 432, 435.1, 436,
D14/480.1–480.7, 484.1, 137, 138, 140,
D14/155, 203.1–203.8, 240, 242, 356,
D14/358, 188, 217, 299, 191; D13/133,
D13/154, 110, 184; D3/273, 208;
D9/432, 434; D10/65, 75, 78
CPC A44B 15/005; H05K 5/0278; G06K
19/07732

FIG. 1 is a front perspective view of an electronic fob according to our design;
FIG. 2 is a top view thereof;
FIG. 3 is a bottom view thereof;
FIG. 4 is a right side view thereof;
FIG. 5 is a left side view thereof;
FIG. 6 is a front view thereof; and,
FIG. 7 is a rear view thereof.

The broken lines in the figures represent portions of the article which form no part of the claim.

See application file for complete search history.

1 Claim, 2 Drawing Sheets



(56)

References Cited

U.S. PATENT DOCUMENTS

D734,728	S	7/2015	Lagziel	
D736,148	S	8/2015	Liu	
D737,201	S *	8/2015	Liu	D13/108
D749,510	S *	2/2016	Liu	D13/108
D749,589	S *	2/2016	Ferguson	D14/435.1
D750,096	S *	2/2016	Ozolins	D14/480.4
D750,498	S *	3/2016	Sezanayev	D9/445
D753,129	S *	4/2016	Ozolins	D14/484.1
D754,545	S *	4/2016	Sezanayev	D9/445
D757,648	S *	5/2016	Leabman	D13/108
D759,031	S *	6/2016	Ozolins	D14/480.5
9,451,713	B2 *	9/2016	Huang	H01Q 1/44
D770,456	S *	11/2016	Akana	D14/433
2003/0161115	A1	8/2003	Kadonaga	
2004/0145878	A1 *	7/2004	Wang	G06K 19/07732 361/785
2004/0233645	A1 *	11/2004	Chen	G06F 1/1632 361/737
2004/0233646	A1 *	11/2004	Yen	H05K 5/0278 361/752
2005/0181645	A1 *	8/2005	Ni	H05K 5/0278 439/79
2011/0010470	A1 *	1/2011	Hulbert	G06F 3/0219 710/13
2012/0155721	A1	6/2012	Zhang	
2016/0181717	A1 *	6/2016	Kuo	H01R 13/44 439/131

* cited by examiner

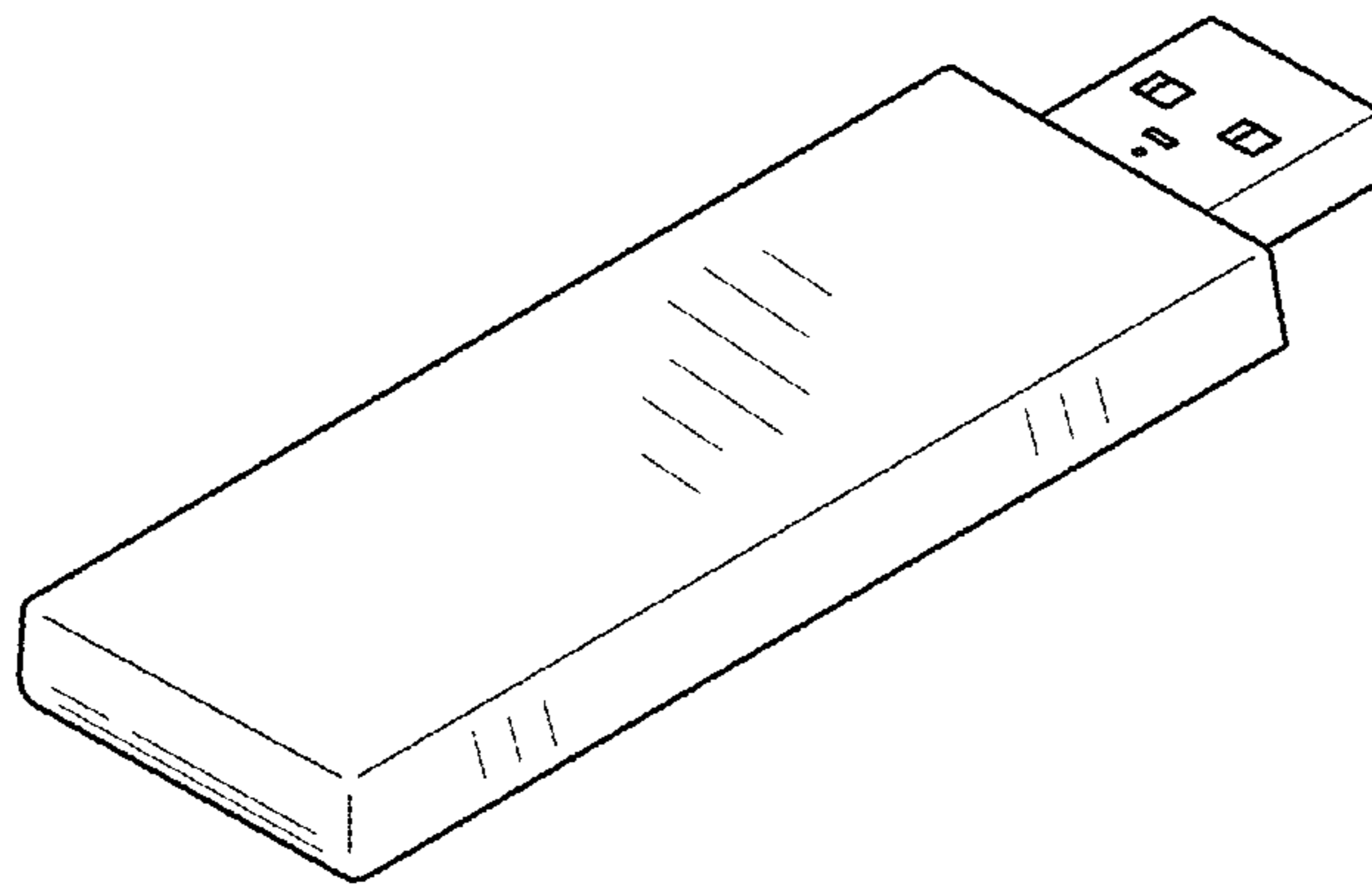


FIG. 1

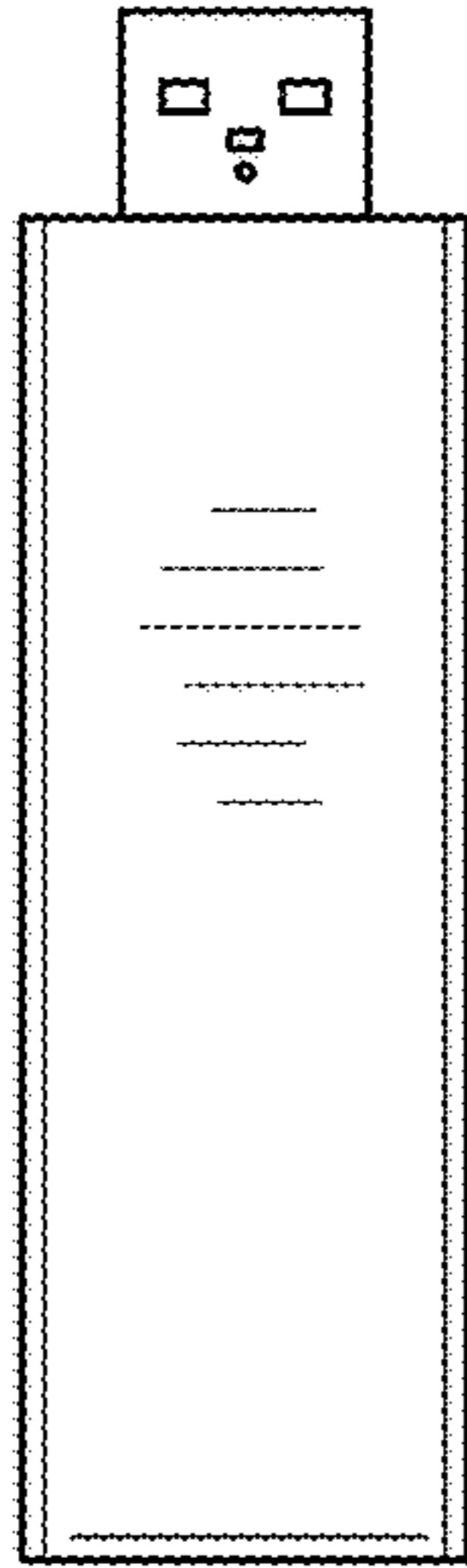


FIG. 2

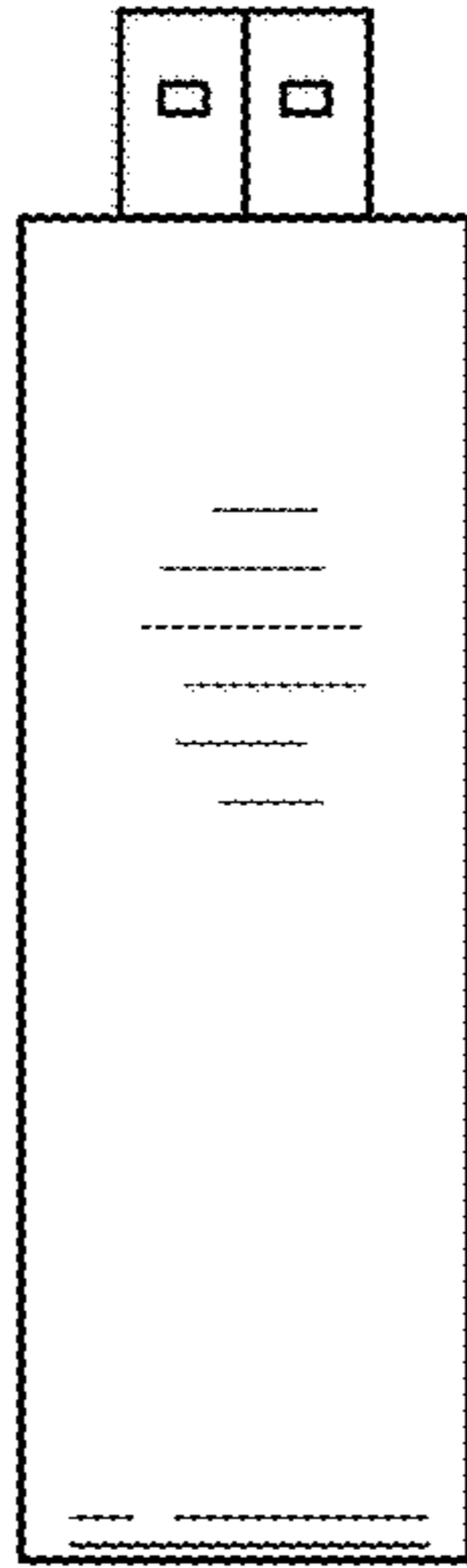


FIG. 3



FIG. 6



FIG. 4



FIG. 5



FIG. 7