



US00D815105S

(12) **United States Design Patent**
Jung et al.

(10) **Patent No.:** **US D815,105 S**
(45) **Date of Patent:** **** Apr. 10, 2018**

(54) **STAND FOR MONITOR**

(71) Applicant: **Samsung Electronics Co., Ltd.**,
Suwon-si (KR)

(72) Inventors: **Minjoon Jung**, Seoul (KR); **Taeyeon Won**, Seoul (KR)

(73) Assignee: **SAMSUNG ELECTRONICS CO., LTD.**, Gyeonggi-Do (KR)

(**) Term: **15 Years**

(21) Appl. No.: **29/594,583**

(22) Filed: **Feb. 21, 2017**

(30) **Foreign Application Priority Data**

Aug. 30, 2016 (KR) 30-2016-0042469

(51) **LOC (11) Cl.** **14-02**

(52) **U.S. Cl.**
USPC **D14/452**

(58) **Field of Classification Search**
USPC D14/447-452, 336, 341, 371, 373, 374,
D14/375, 376, 377, 126, 127, 128, 129
CPC F16M 11/105; F16M 11/10; F16M 11/048;
F16M 11/12; F16M 13/022
See application file for complete search history.

(56) **References Cited**

U.S. PATENT DOCUMENTS

D592,621 S *	5/2009	Han	D14/126
D635,975 S *	4/2011	Seo	D14/374
D649,947 S *	12/2011	Won	D14/126
D657,792 S *	4/2012	Lee	D14/374
D682,797 S *	5/2013	Lee	D14/126
D688,674 S *	8/2013	Lau	D14/452
D704,156 S *	5/2014	Lee	D14/126

(Continued)

FOREIGN PATENT DOCUMENTS

CN 303423448 * 10/2015
KR 300331559 S 8/2003

(Continued)

OTHER PUBLICATIONS

Samsung. <URL: <http://www.samsung.com/uk/monitors/curved-cfg70fqu/LC27FG70FQUXEN/>> May 27, 2017. Samsung 27" 144Hz Professional Gaming Monitor.*

Primary Examiner — Thomas Johannes

Assistant Examiner — Lauren McVey

(74) *Attorney, Agent, or Firm* — Cantor Colburn LLP

(57) **CLAIM**

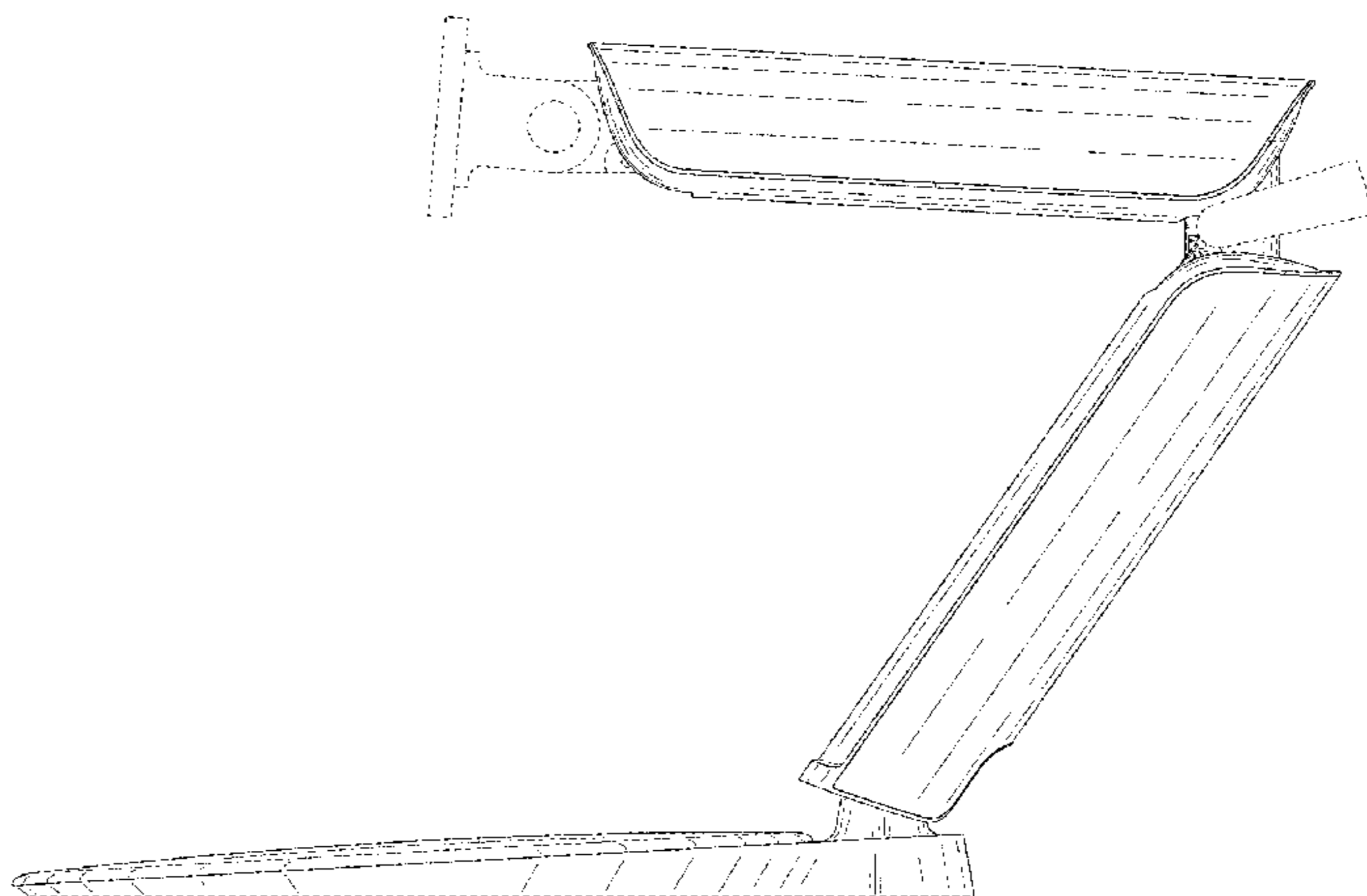
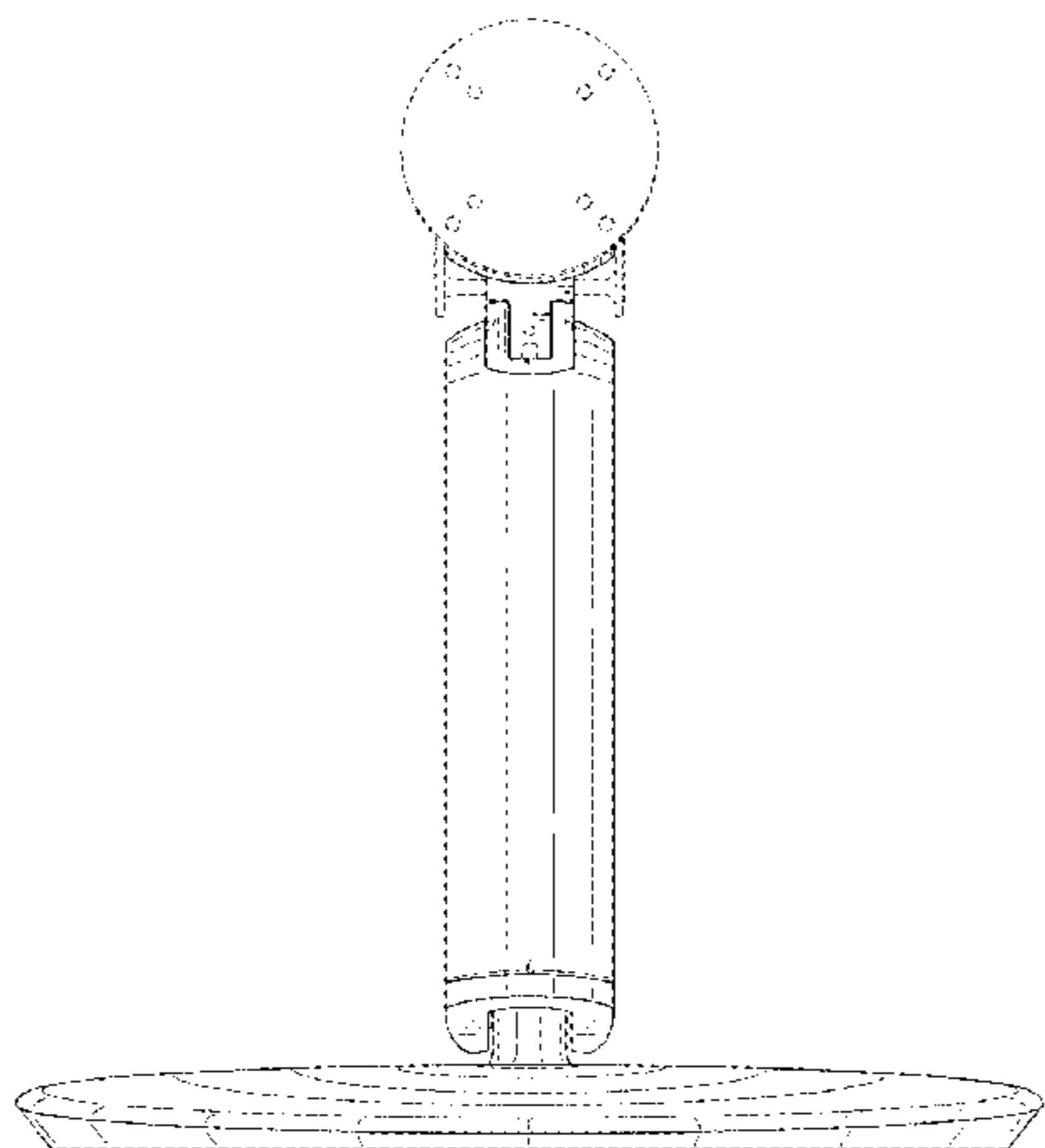
The ornamental design for a stand for monitor, as shown and described.

DESCRIPTION

FIG. 1 is a front right-side perspective view of a stand for monitor showing our new design in a first position; FIG. 2 is a front view thereof; FIG. 3 is a rear view thereof; FIG. 4 is a left-side view thereof; FIG. 5 is a right-side view thereof; FIG. 6 is a top view thereof; FIG. 7 is a bottom view thereof; FIG. 8 is rear right-side perspective view thereof shown in an alternate position; FIG. 9 is another right-side perspective view thereof shown with environment in another alternate position; FIG. 10 is another right-side perspective view thereof shown with environment in another alternate position; and, FIG. 11 is a left-side perspective view in a first position shown with environment.

The broken lines immediately adjacent the claim represent the bounds of the claimed design while all other broken lines are directed to environment and are for illustrative purposes only; the broken lines form no part of the claimed design.

1 Claim, 11 Drawing Sheets



(56)

References Cited

U.S. PATENT DOCUMENTS

D733,156 S * 6/2015 Choi D14/447
D733,157 S * 6/2015 Kim D14/447
D758,375 S * 6/2016 Won D14/451
D774,037 S * 12/2016 Kang D14/451
D799,483 S * 10/2017 Won D14/376
2015/0308608 A1* 10/2015 Lei F16M 11/10
361/679.01

FOREIGN PATENT DOCUMENTS

KR 300429927 S 11/2006
KR 300645412 S 6/2012
WO D086150-001 * 10/2015

* cited by examiner

FIG. 1

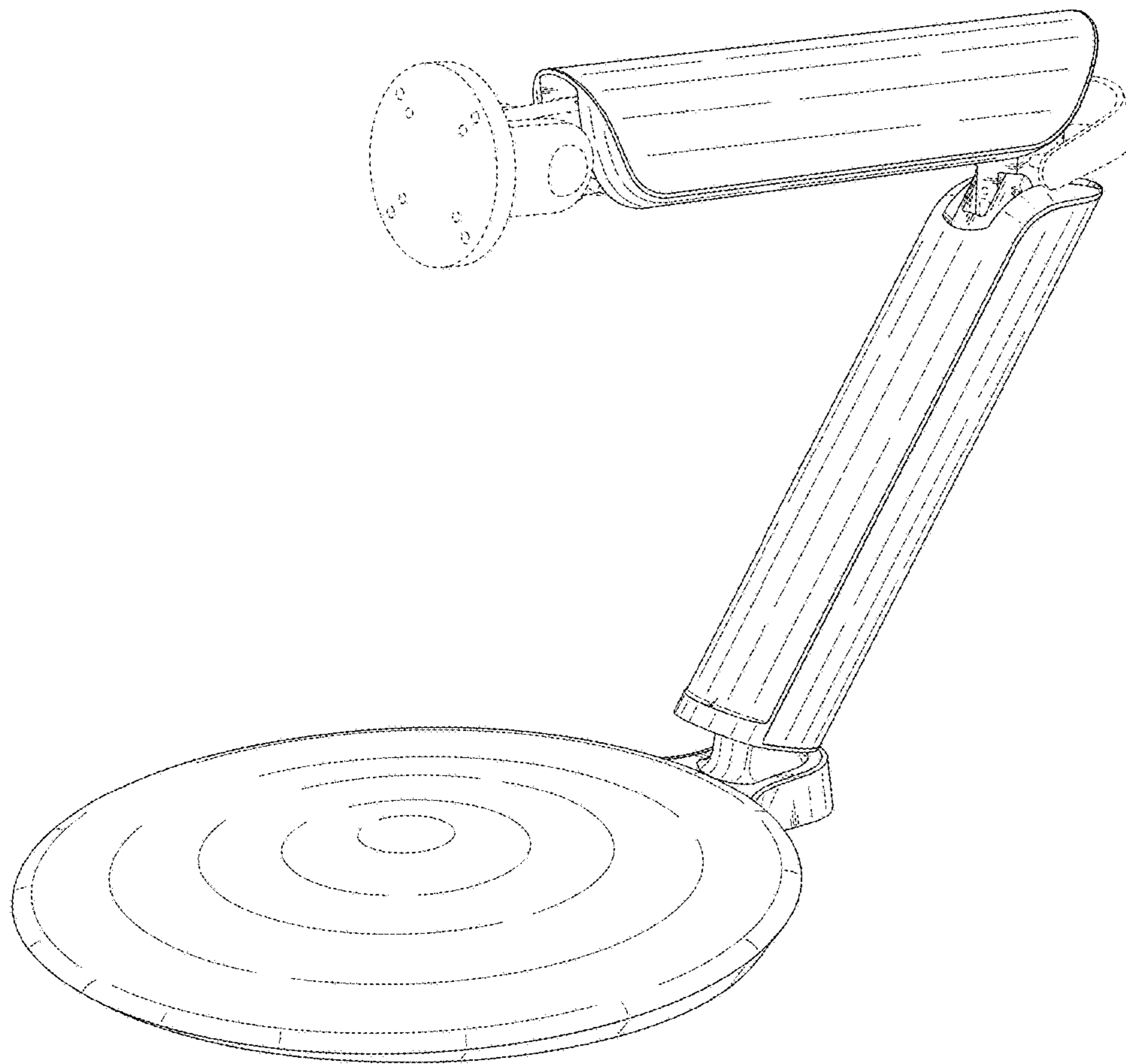


FIG. 2

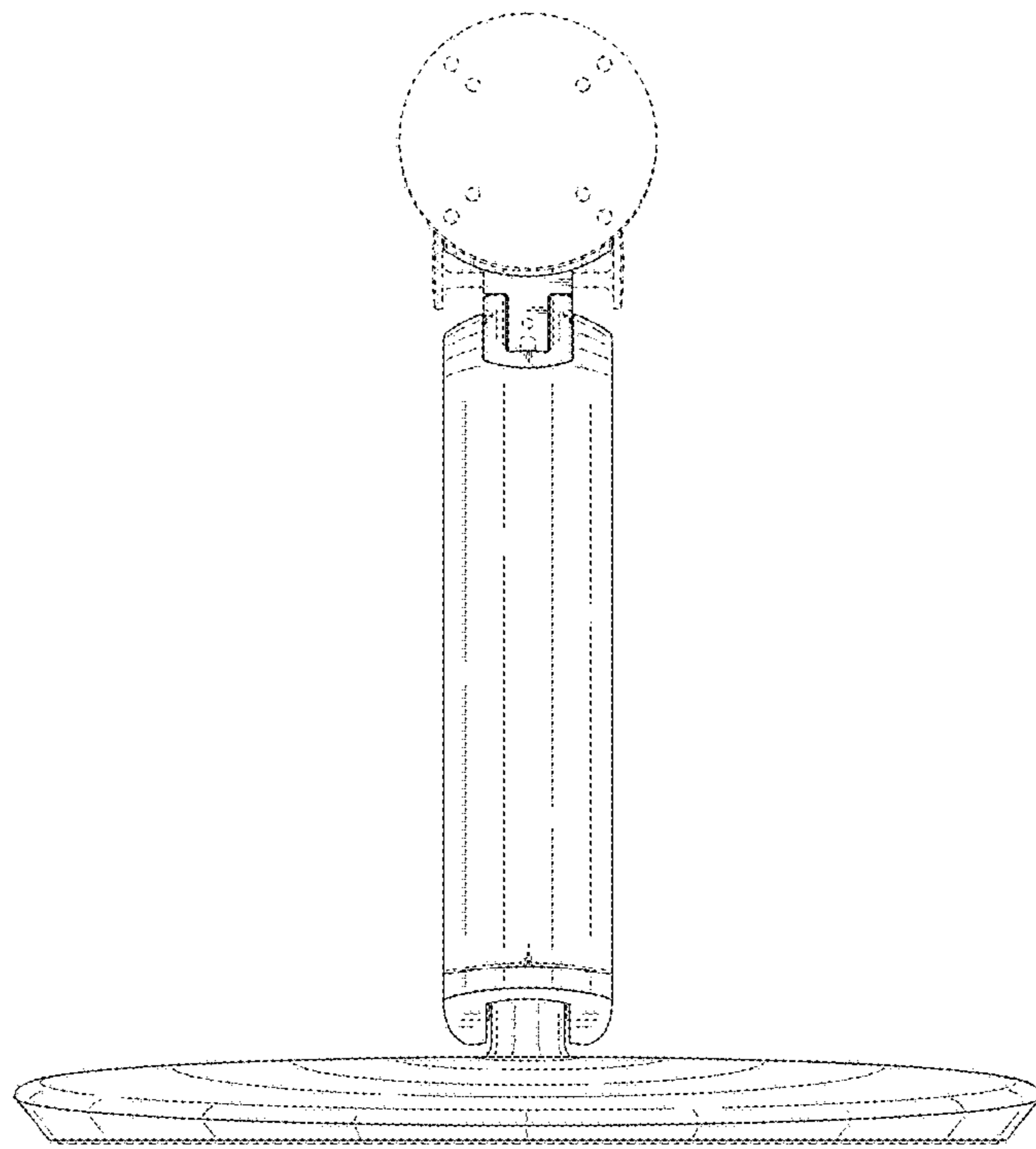


FIG. 3

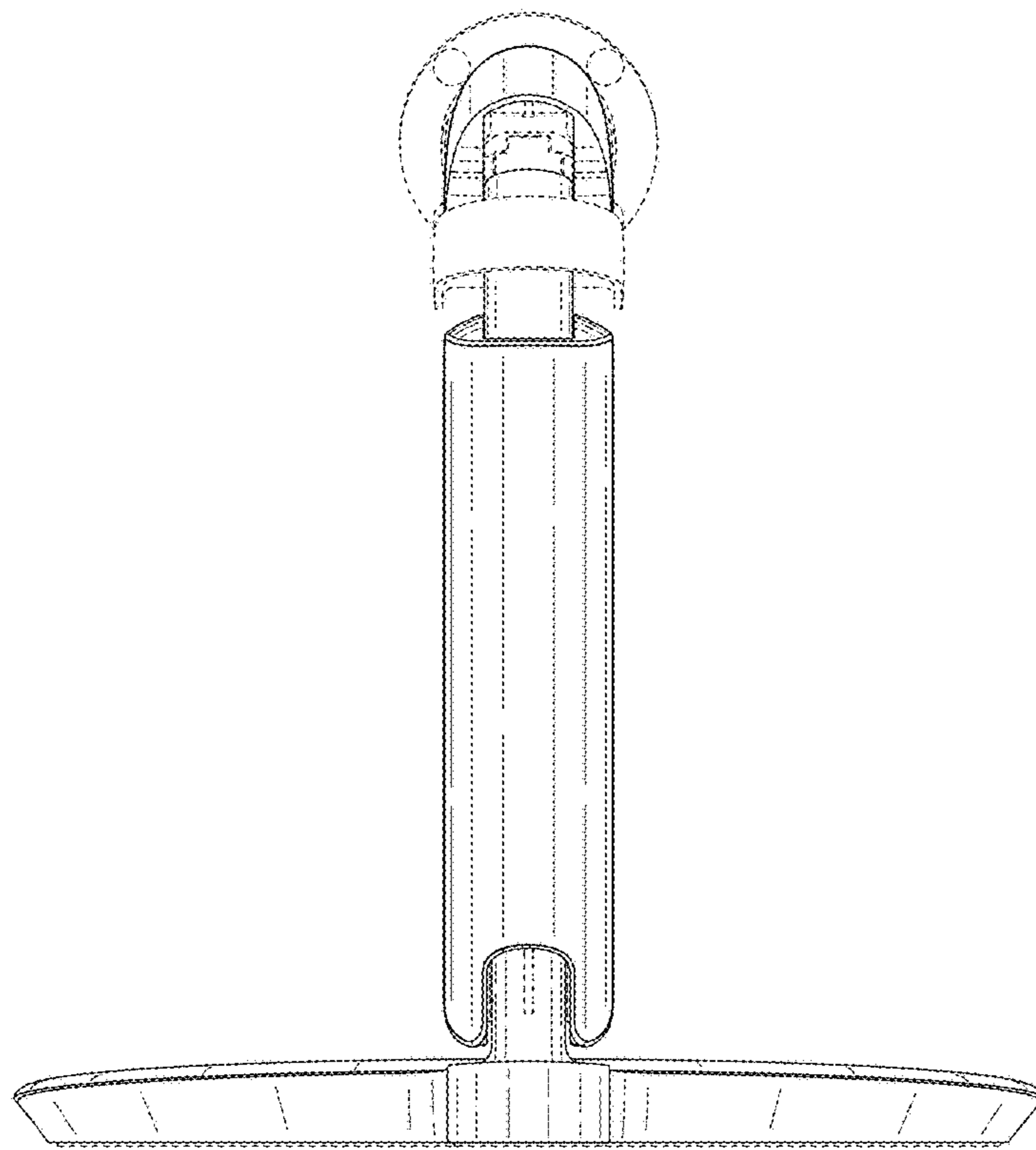


FIG. 4

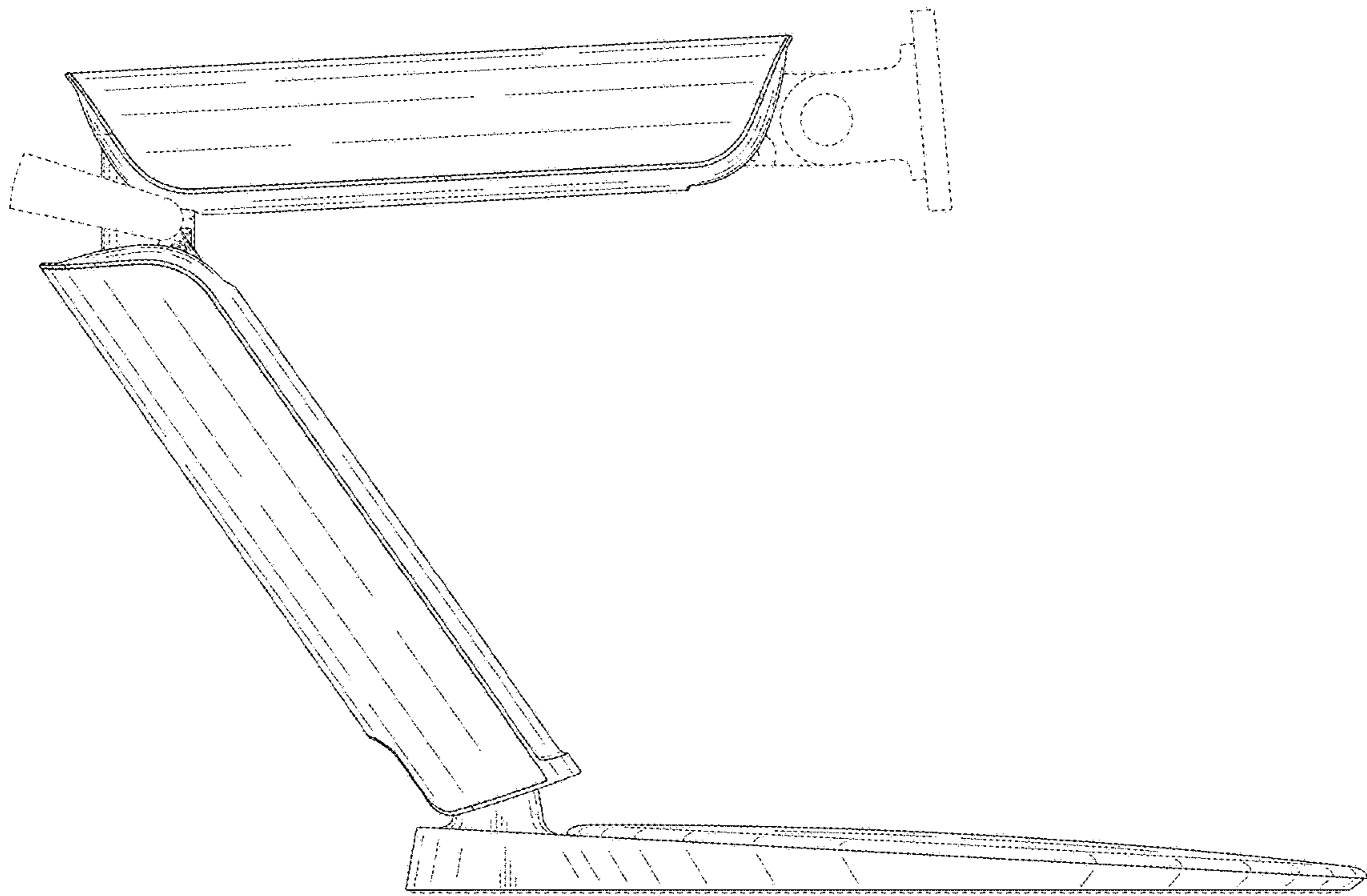


FIG. 5

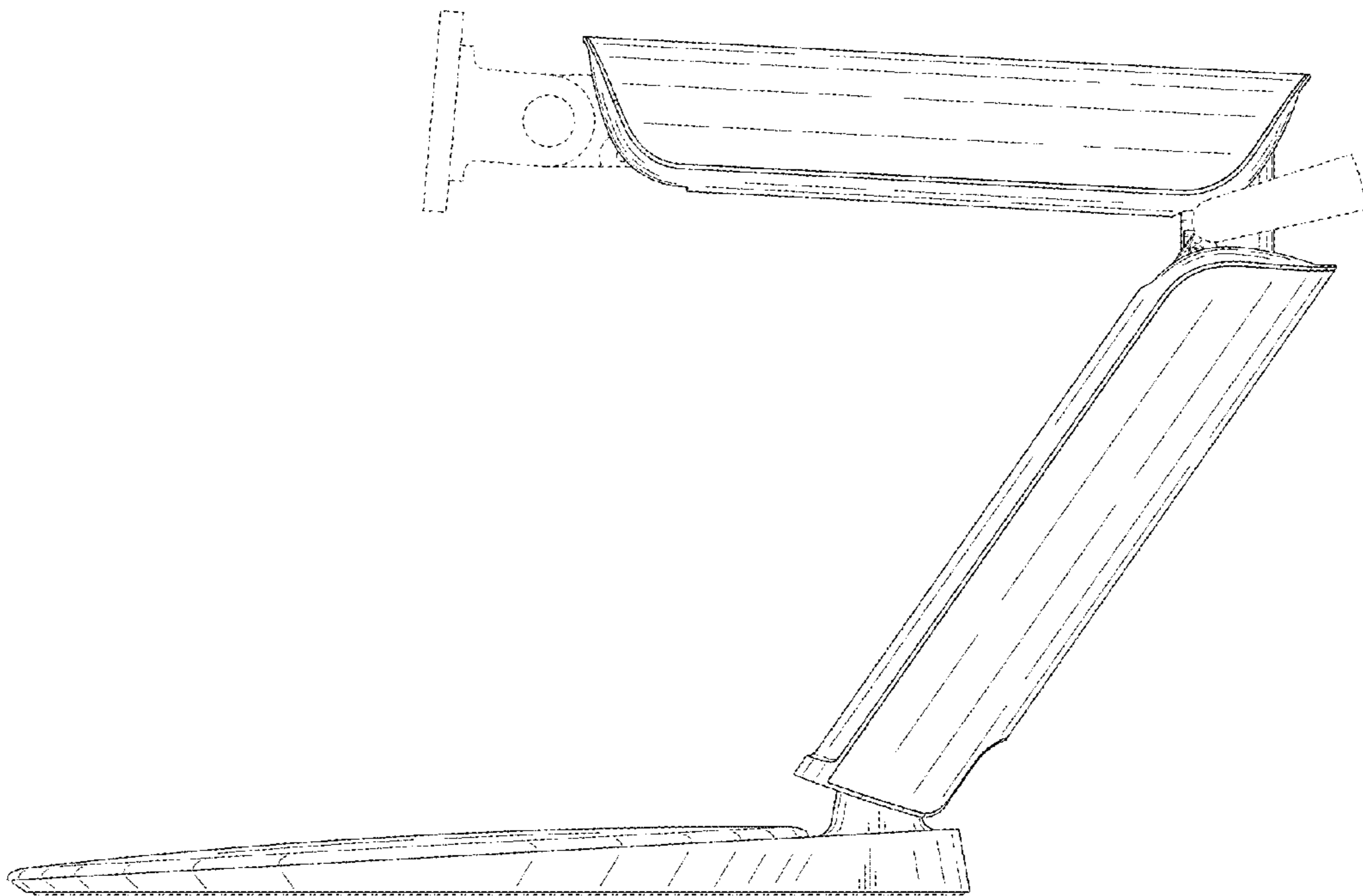


FIG. 6

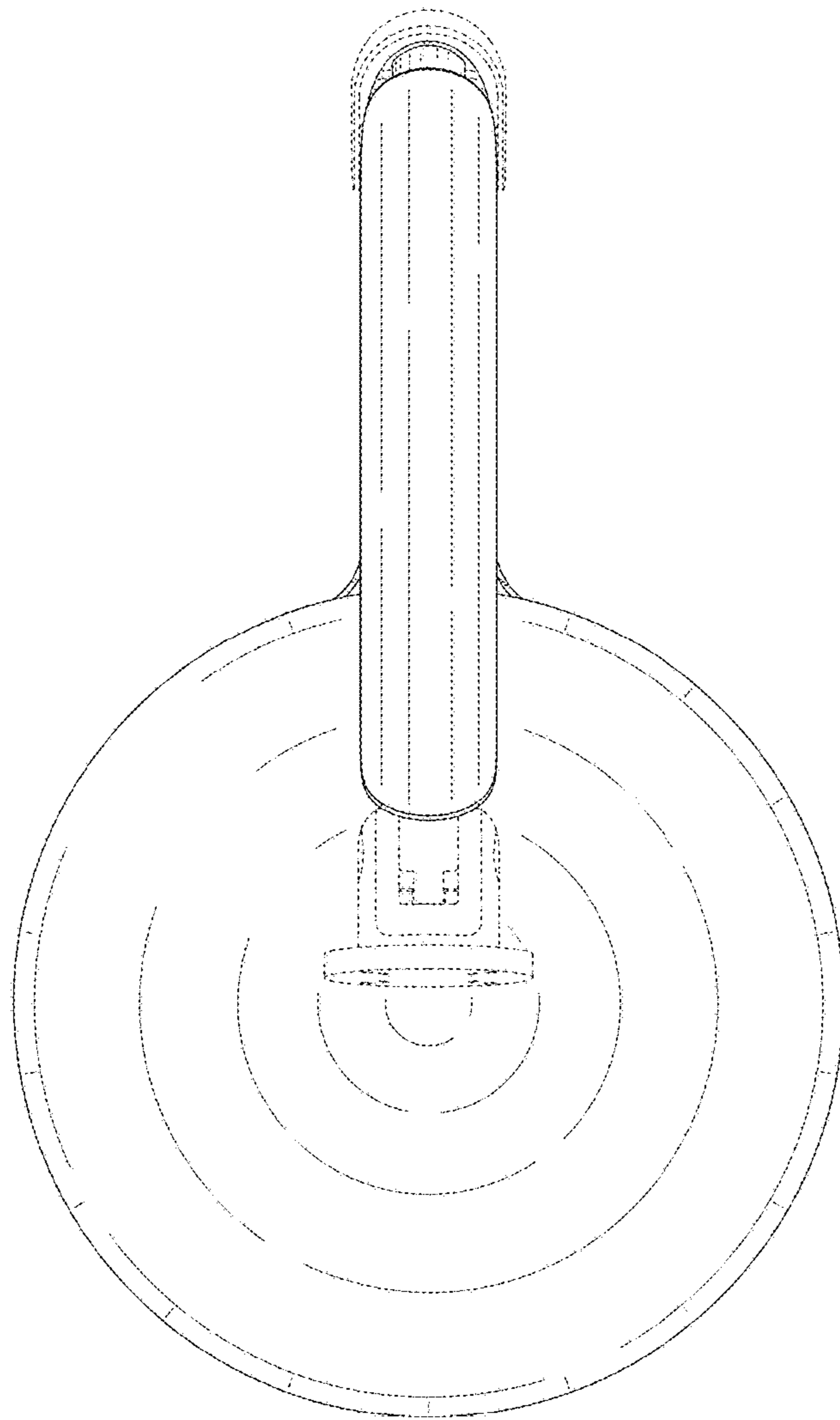


FIG. 7

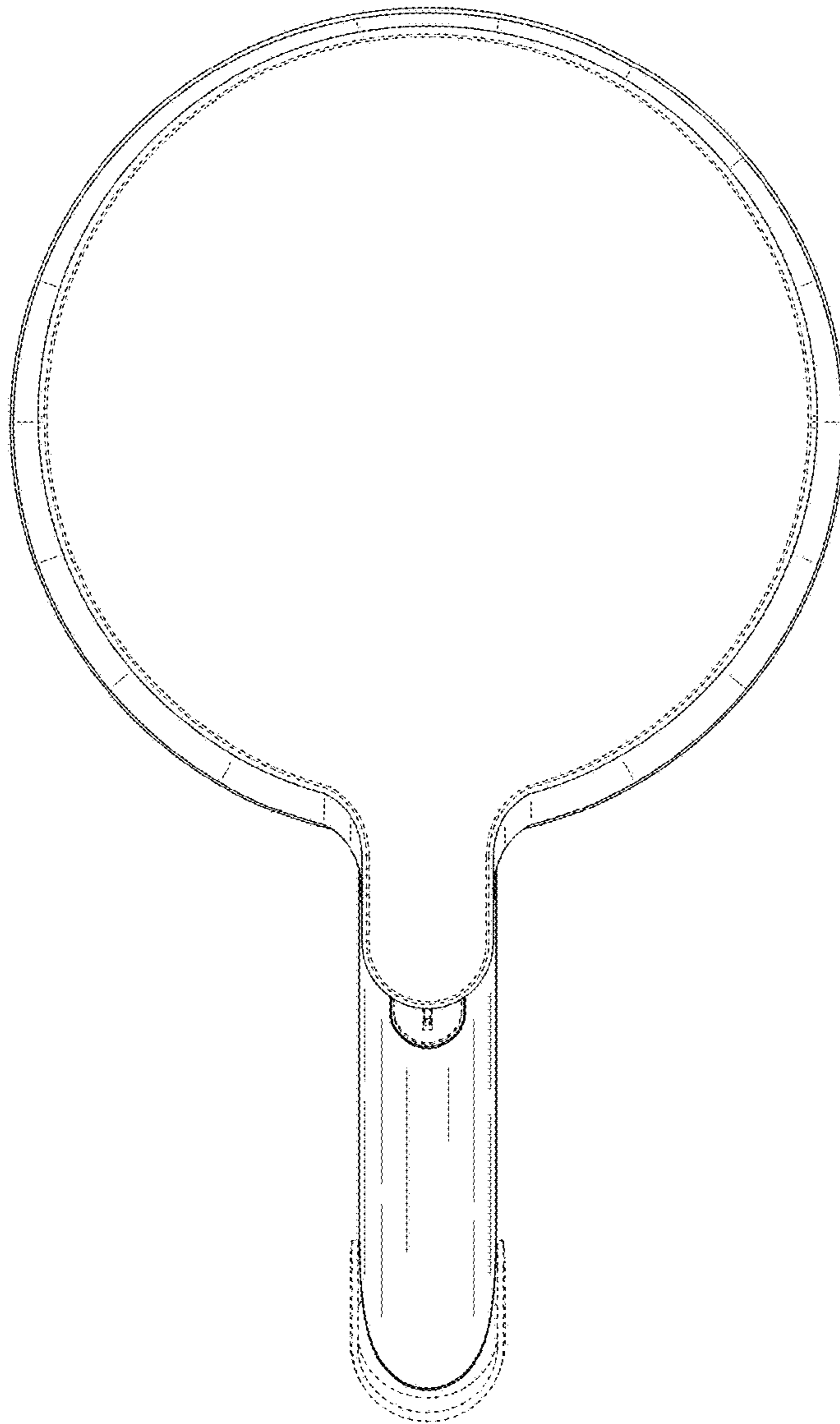


FIG. 8

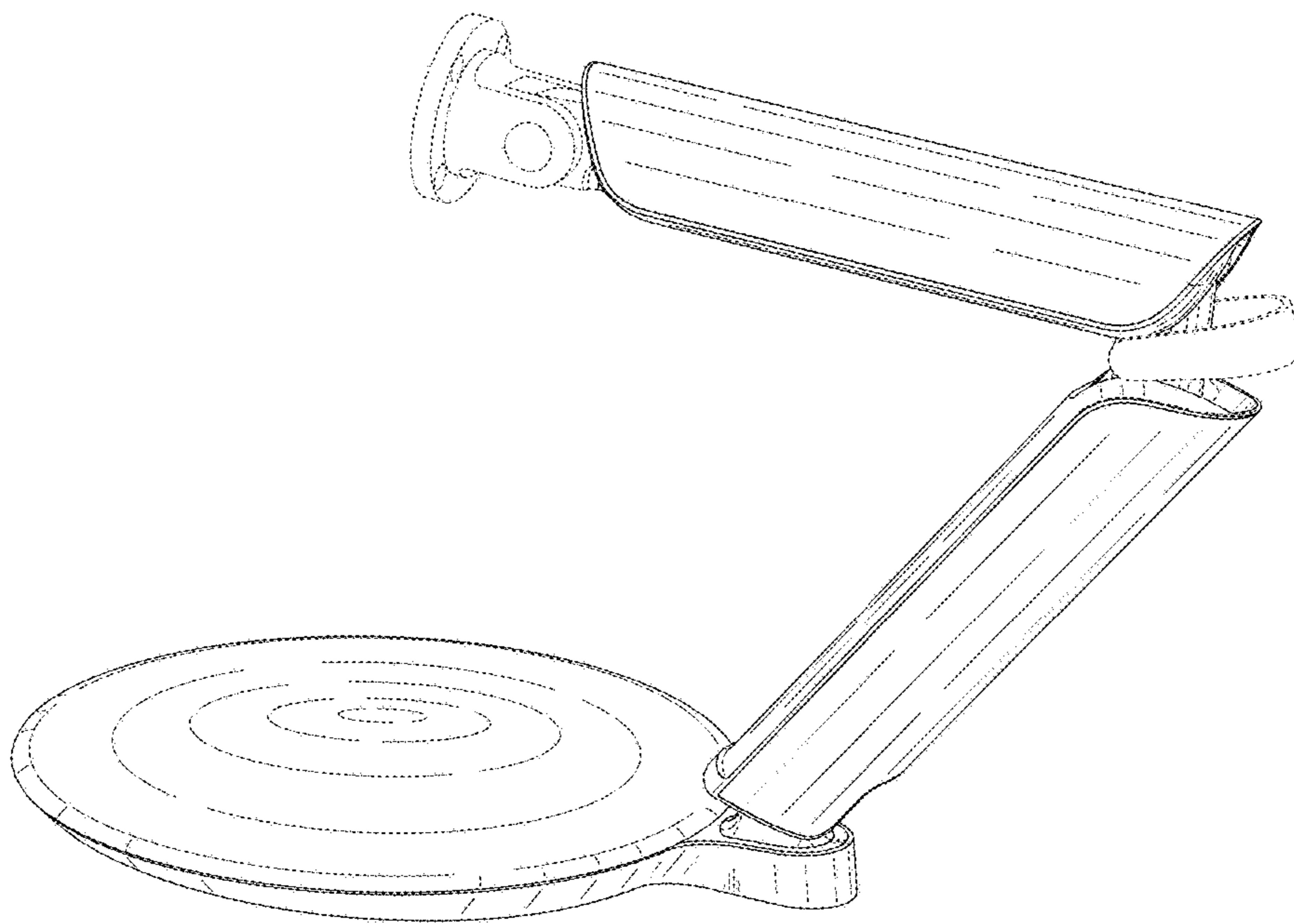


FIG. 9

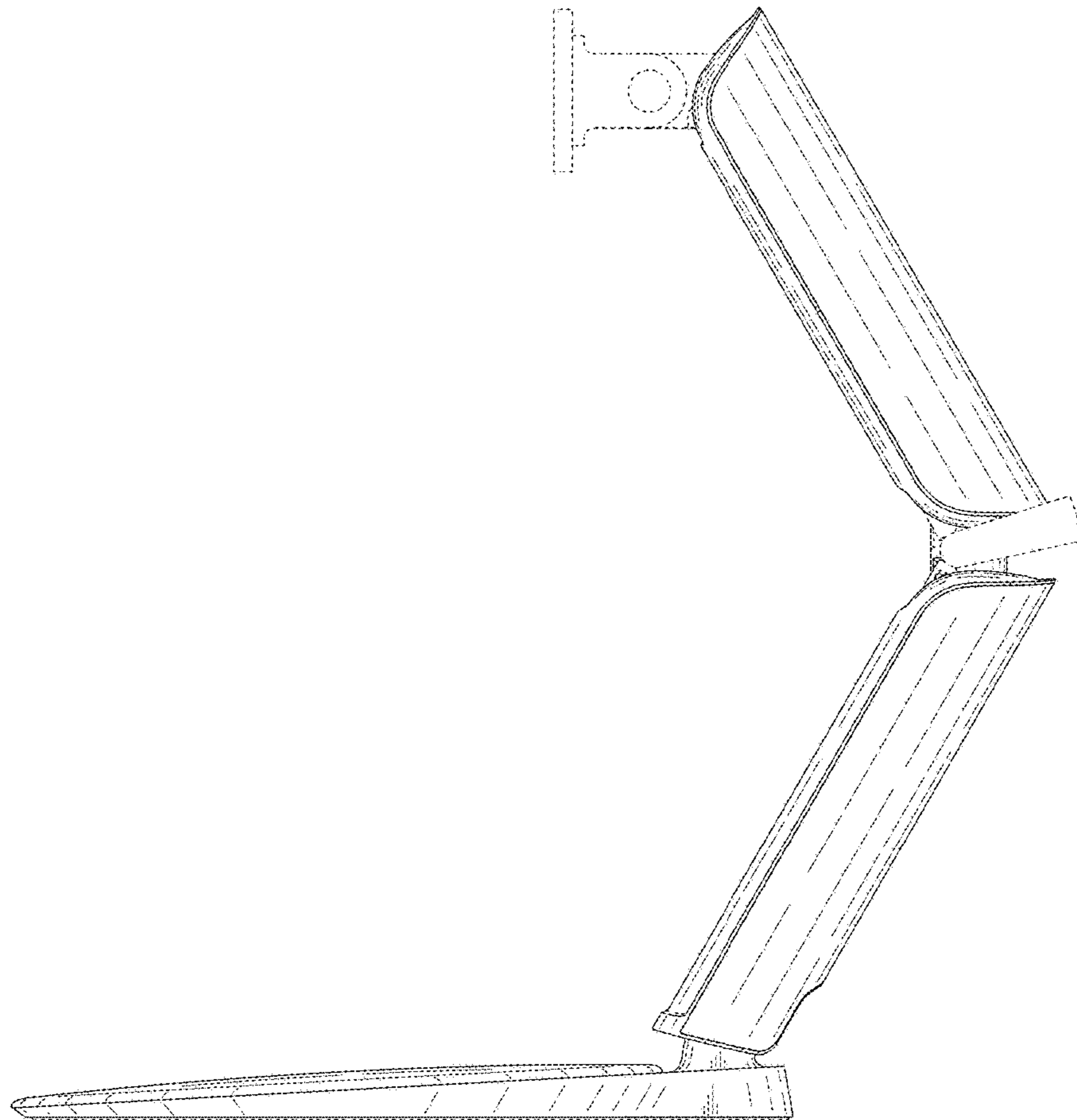


FIG. 10

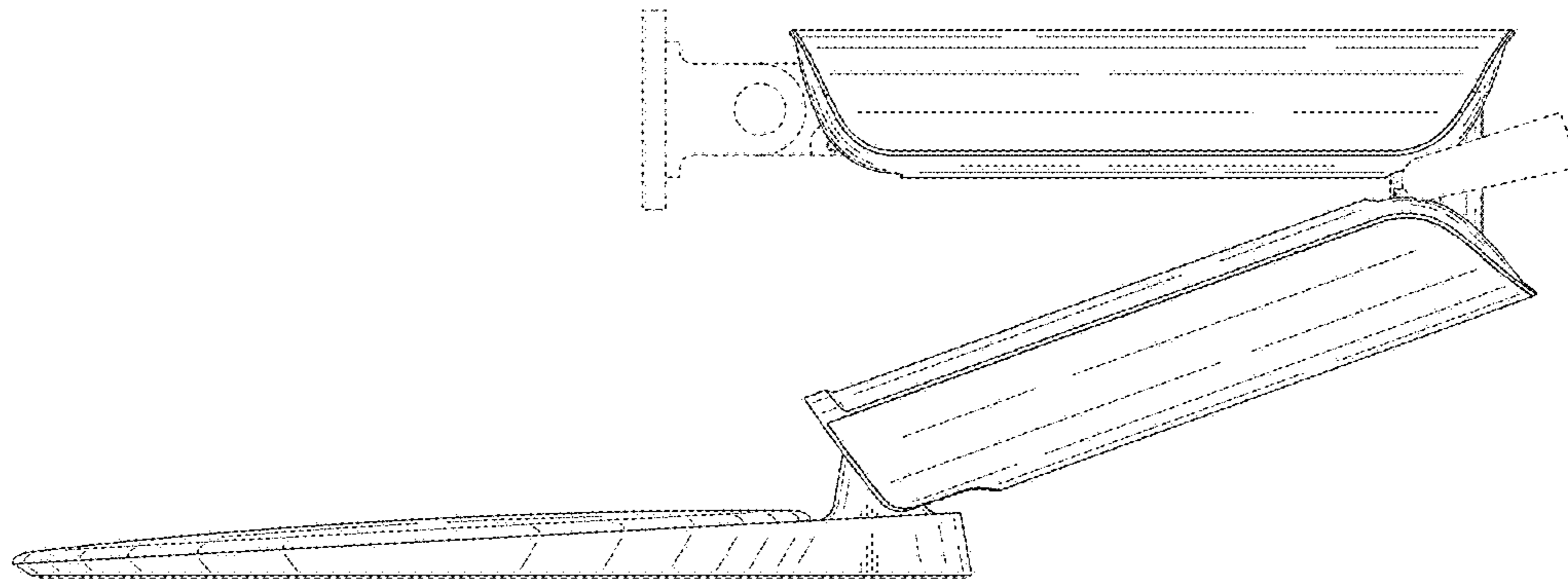


FIG. 11

