



US00D815104S

(12) **United States Design Patent**  
**Bertelle**

(10) **Patent No.:** **US D815,104 S**  
(45) **Date of Patent:** **\*\* Apr. 10, 2018**

(54) **SUPPORTS FOR PORTABLE ELECTRONIC DEVICES**

(71) Applicant: **LINO MANFROTTO + CO. S.P.A.**,  
Cassola (VI) (IT)

(72) Inventor: **Alessandro Bertelle**, Bassano Del  
Grappa (IT)

(73) Assignee: **LINO MANFROTTO + CO. S.P.A.**,  
Cassola (VI) (IT)

(\*\*) Term: **15 Years**

(21) Appl. No.: **29/569,673**

(22) Filed: **Jun. 29, 2016**

(30) **Foreign Application Priority Data**

Dec. 29, 2015 (EM) ..... 002928606-0001  
Dec. 29, 2015 (EM) ..... 002928606-0002  
Jun. 23, 2016 (EM) ..... 003236033

(51) **LOC (11) Cl.** ..... **08-07**

(52) **U.S. Cl.**  
USPC ..... **D14/447**

(58) **Field of Classification Search**  
USPC ..... D14/447, 432, 434, 439, 440, 451, 452,  
D14/457, 239; D8/363, 373, 380, 406.3,  
D8/406.4, 406.5, 406.6; D12/415  
(Continued)

(56) **References Cited**

**U.S. PATENT DOCUMENTS**

D614,631 S \* 4/2010 Chiang ..... D14/447  
D630,222 S \* 1/2011 Lin ..... D14/447  
(Continued)

*Primary Examiner* — Angela J Lee

(74) *Attorney, Agent, or Firm* — Kristina Castellano;  
Castellano PLLC

(57) **CLAIM**

The ornamental design for supports for portable electronic devices, as shown and described.

**DESCRIPTION**

FIG. 1 depicts a front perspective view of a support for portable electronic devices showing a first embodiment of my present design in a closed position;  
FIG. 2 is a rear perspective view of the support of FIG. 1;  
FIG. 3 is a top plan view of the support of FIG. 1;  
FIG. 4 is a bottom plan view of the support of FIG. 1;  
FIG. 5 is a left side view of the support of FIG. 1;  
FIG. 6 is a front plan view of the support of FIG. 1;  
FIG. 7 is a rear plan view of the support of FIG. 1;  
FIG. 8 is a front perspective view of the support of FIG. 1, in an open and extracted position;  
FIG. 9 is a rear perspective view from the bottom of the support of FIG. 1, in an open and extracted position;  
FIG. 10 is a top plan view of the support of FIG. 1, in an open and extracted position;  
FIG. 11 is a bottom plan view of the support of FIG. 1, in an open and extracted position;  
FIG. 12 is a left side view of the support of FIG. 1, in an open and extracted position;  
FIG. 13 is a front plan view of the support of FIG. 1, in an open and extracted position;  
FIG. 14 is a rear plan view of the support of FIG. 1, in an open and extracted position;  
FIG. 15 depicts a front perspective view of a support for portable electronic devices showing a second embodiment of my present design in a closed position;  
FIG. 16 is a rear perspective view of the support of FIG. 15;  
FIG. 17 is a top view of the support of FIG. 15;  
FIG. 18 is a bottom view of the support of FIG. 15;  
FIG. 19 is a left side view of the support of FIG. 15;  
FIG. 20 is a front plan view of the support of FIG. 15;  
FIG. 21 is a rear plan view of the support of FIG. 15;  
FIG. 22 is a front perspective view of the support of FIG. 15, in an open and extracted position;  
FIG. 23 is a rear perspective view from the bottom of the support of FIG. 15, in an open and extracted position;  
FIG. 24 is a top plan view of the support of FIG. 15, in an open and extracted position;

(Continued)

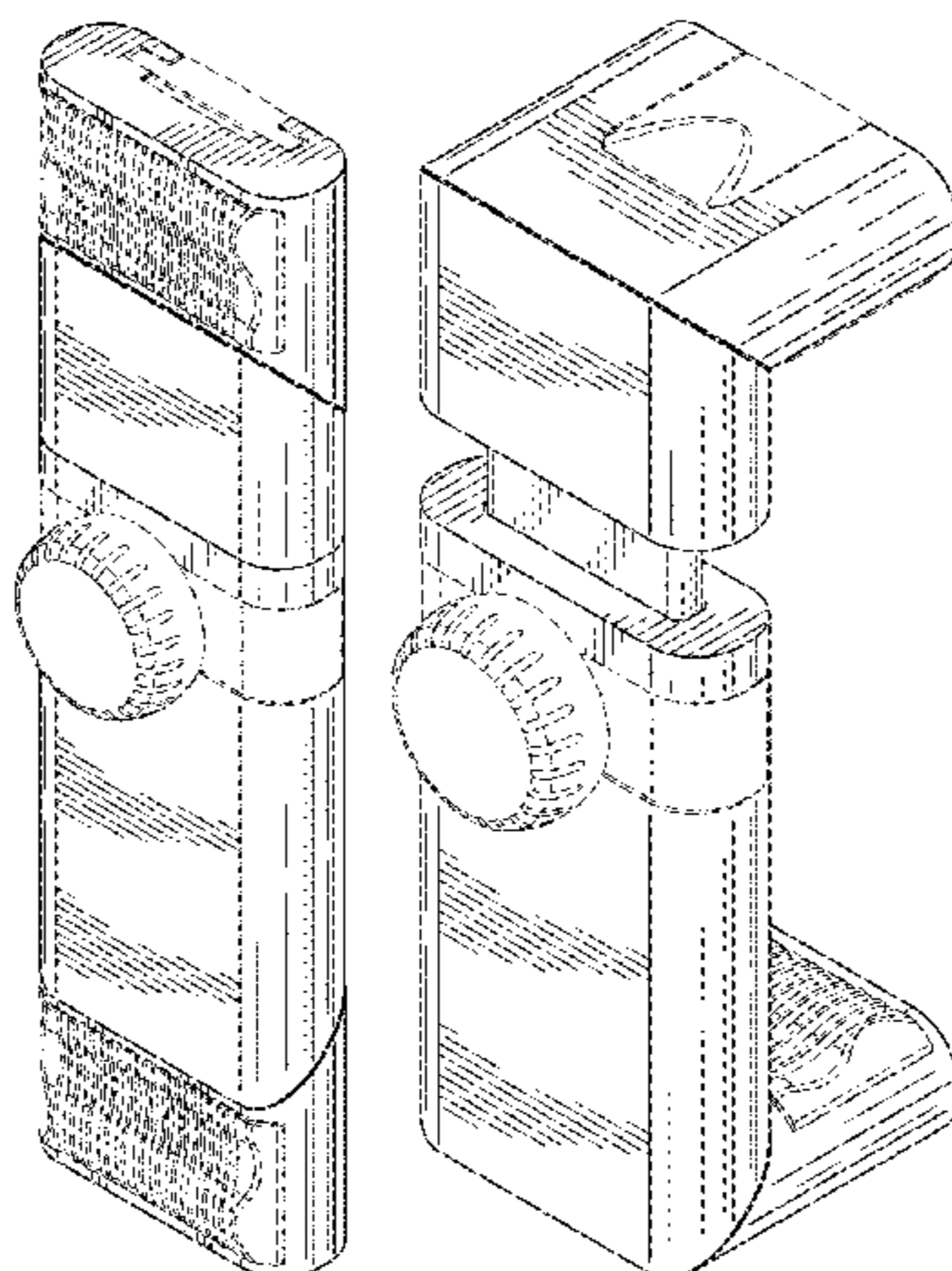


FIG. 25 is a bottom plan view of the support of FIG. 15, in an open and extracted position;  
FIG. 26 is a left side view of the support of FIG. 15, in an open and extracted position;  
FIG. 27 is a front plan view of the support of FIG. 15, in an open and extracted position; and,  
FIG. 28 is a rear view of the support of FIG. 15, in an open and extracted position.  
The portions shown in broken lines in the drawings form no part of the claimed design.

**1 Claim, 20 Drawing Sheets**

(58) **Field of Classification Search**

CPC ..... A47B 21/04; A47B 2097/006; A47B  
2097/005; A47B 2023/049; A45C

2011/002; A45C 2011/003; F16M  
2200/00; F16M 13/00

See application file for complete search history.

(56)

**References Cited**

U.S. PATENT DOCUMENTS

D663,735	S	*	7/2012	Musselman .....	D14/253
D684,980	S	*	6/2013	Chun .....	D14/447
D685,804	S	*	7/2013	Richter .....	D14/253
D689,057	S	*	9/2013	Waterman .....	D14/447
D708,603	S	*	7/2014	Kim .....	D14/253
D717,307	S	*	11/2014	Chun .....	D14/447
D748,099	S	*	1/2016	Heid .....	D14/447
D751,431	S	*	3/2016	Browning .....	D10/74
D753,126	S	*	4/2016	Alesi .....	D14/447
D785,638	S	*	5/2017	Hsu .....	D14/447
2005/0236536	A1	*	10/2005	Fan .....	B60R 11/02 248/176.3

\* cited by examiner

FIG. 1

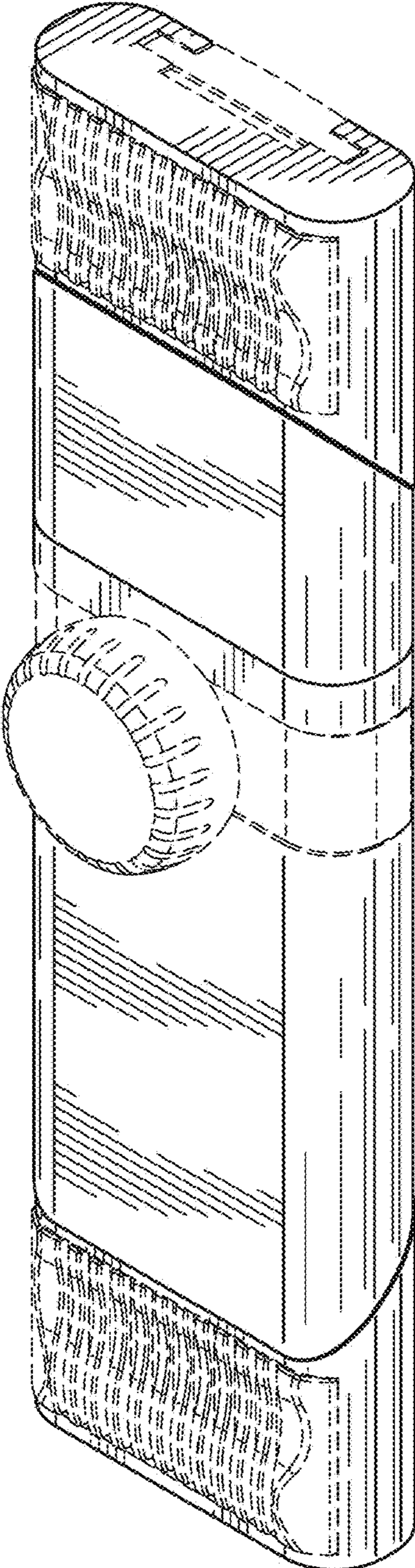


FIG. 2

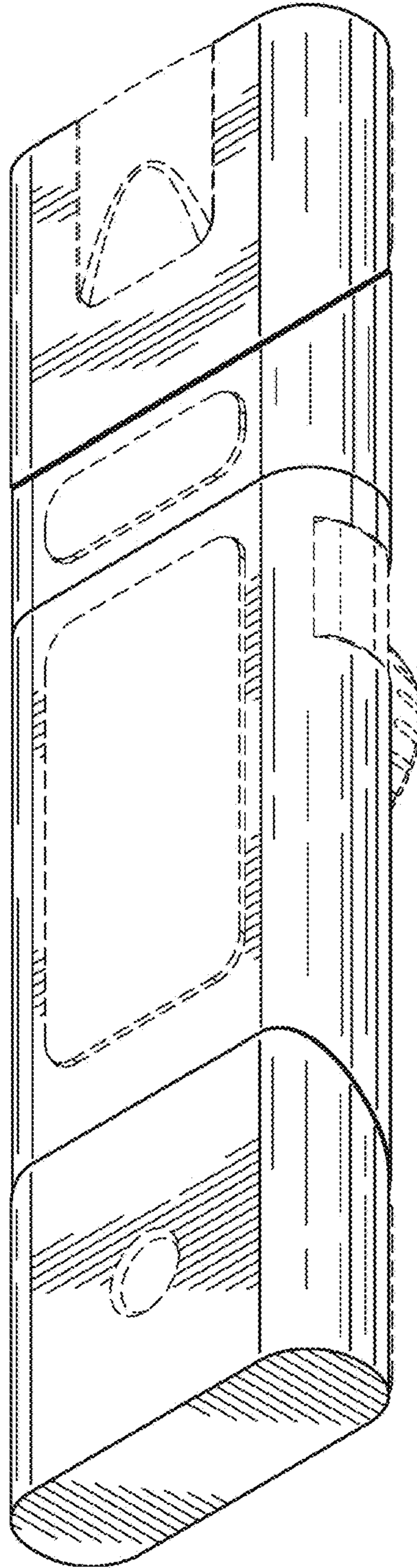


FIG. 3

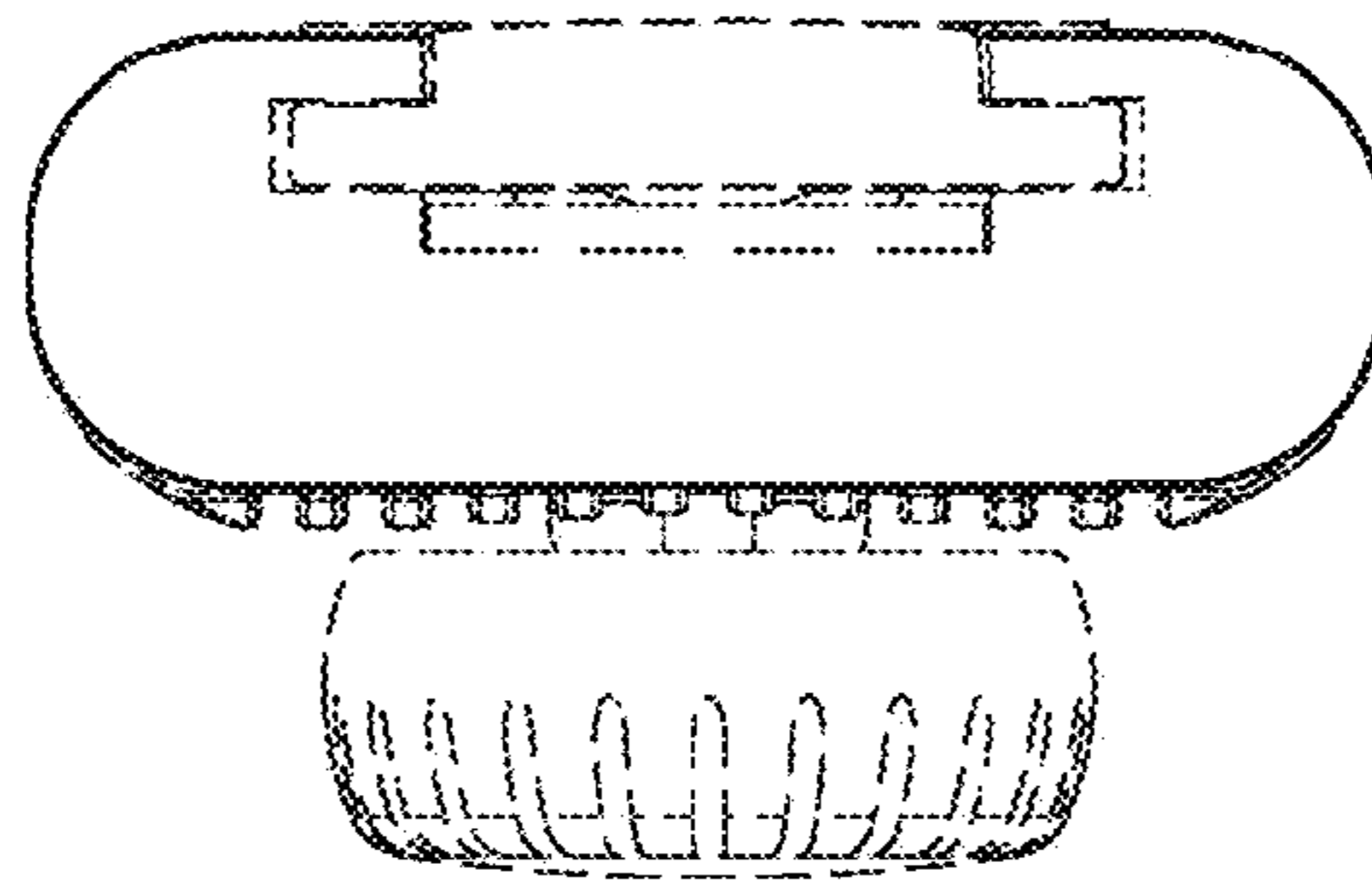


FIG. 4

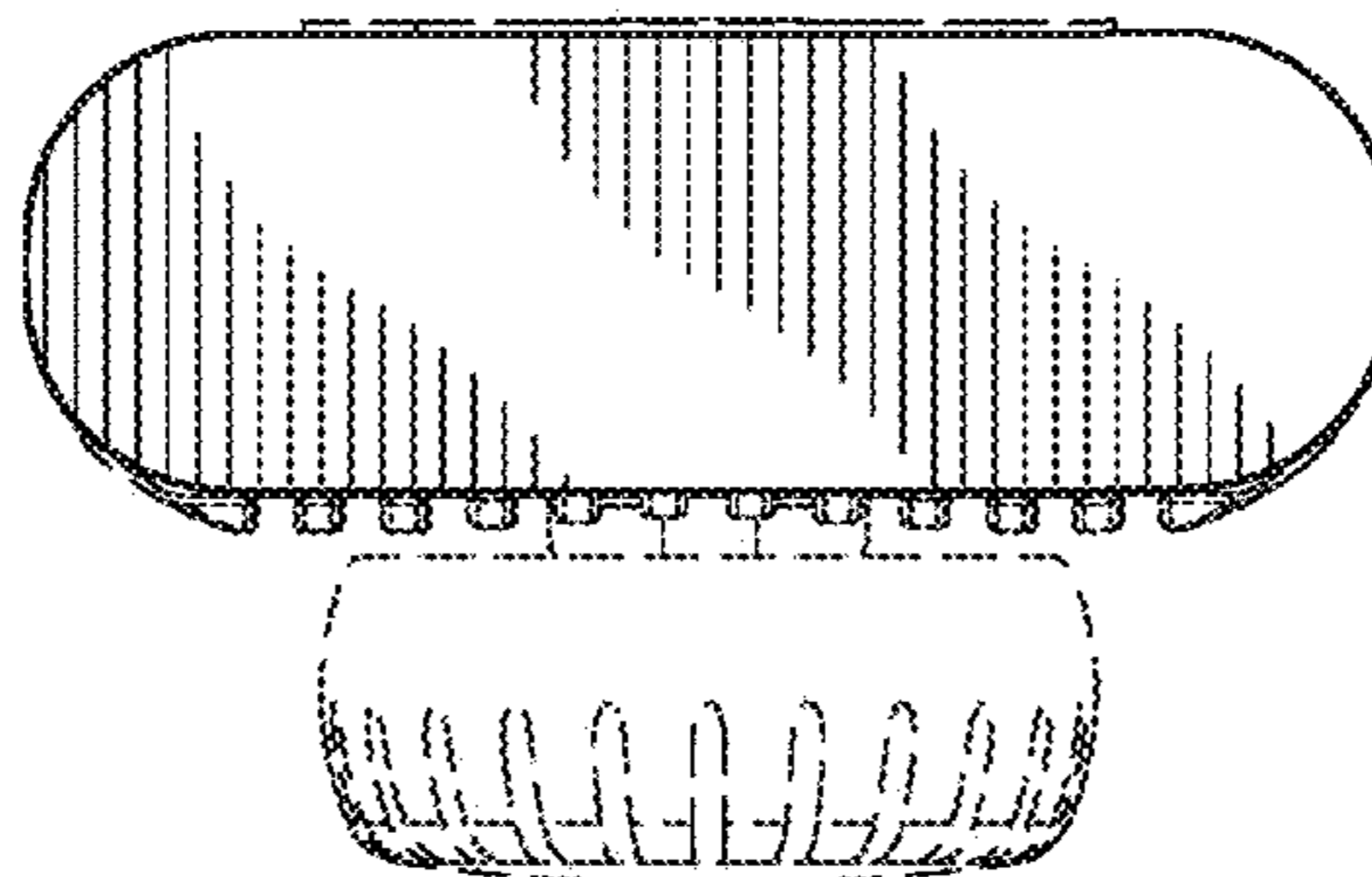


FIG. 5

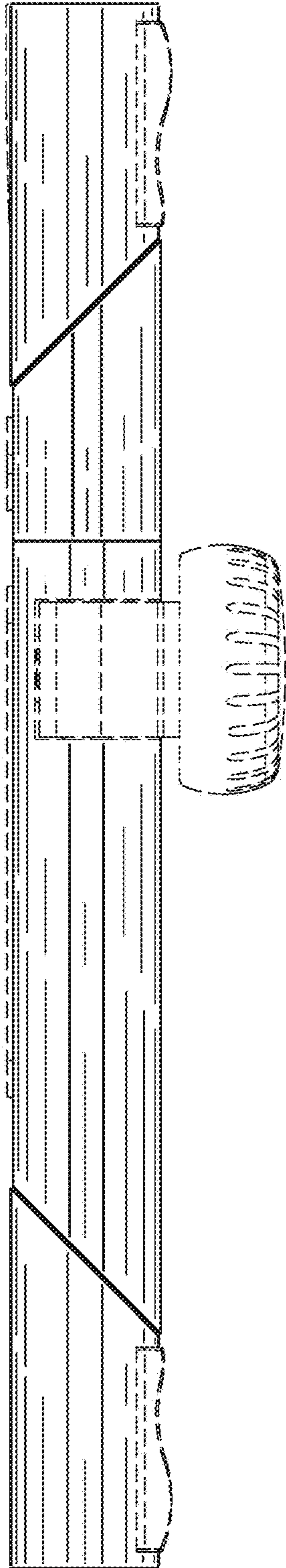


FIG. 6

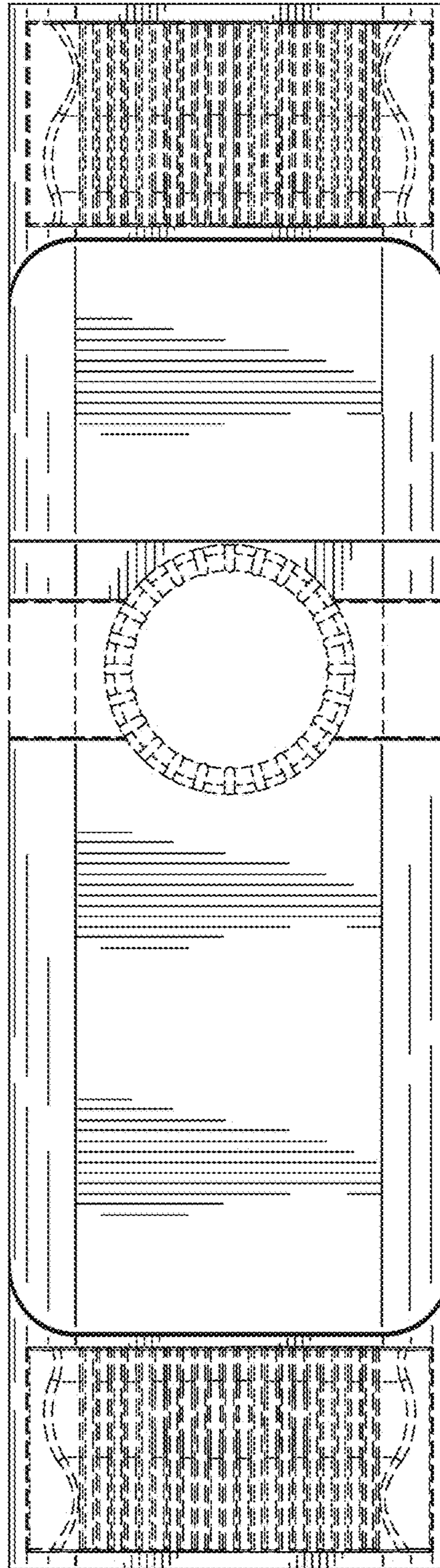


FIG. 7

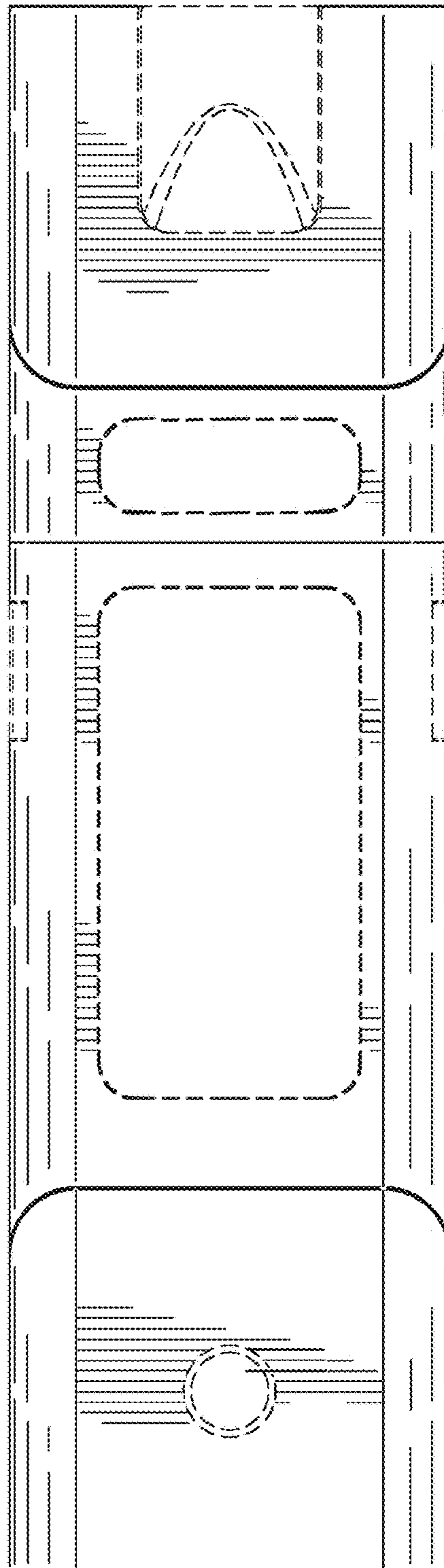


FIG. 8

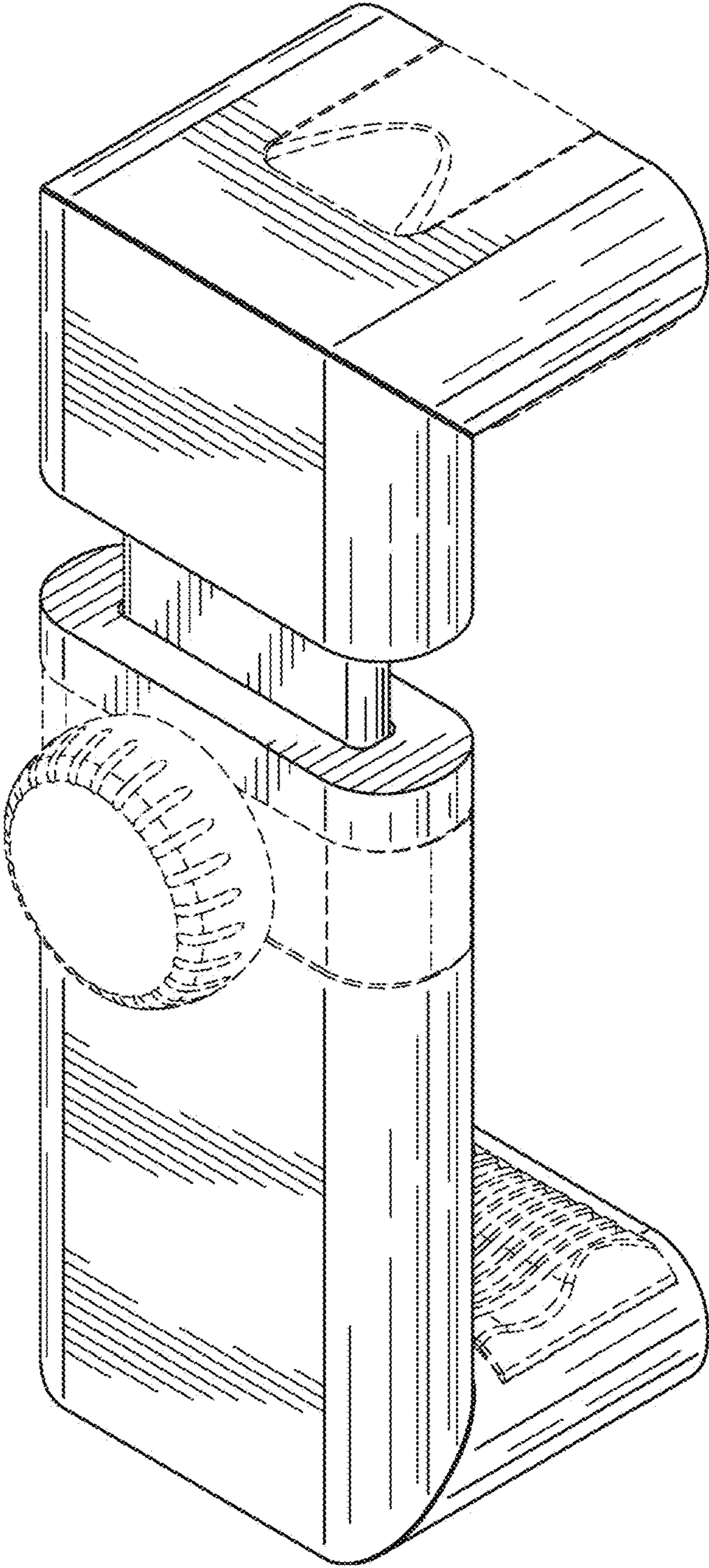




FIG. 9

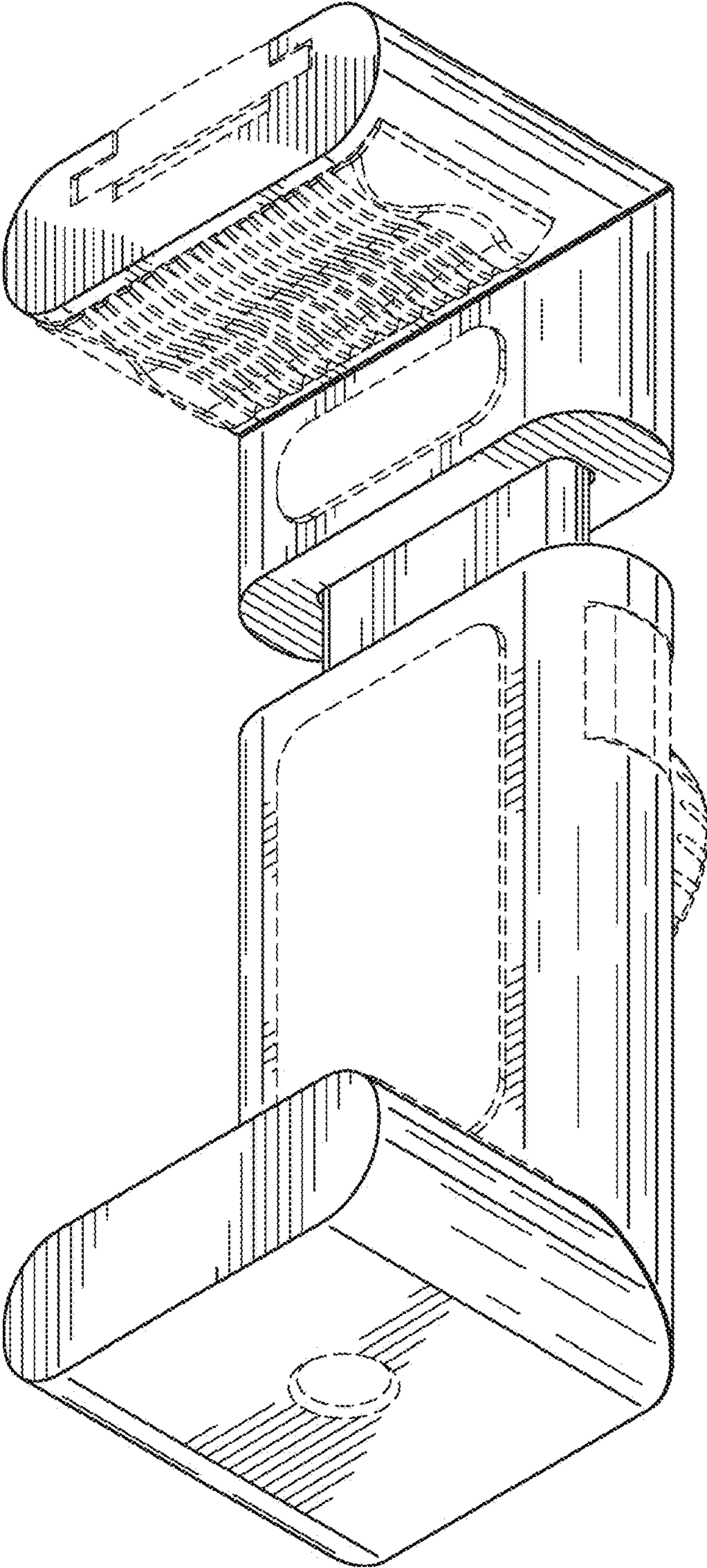


FIG. 10

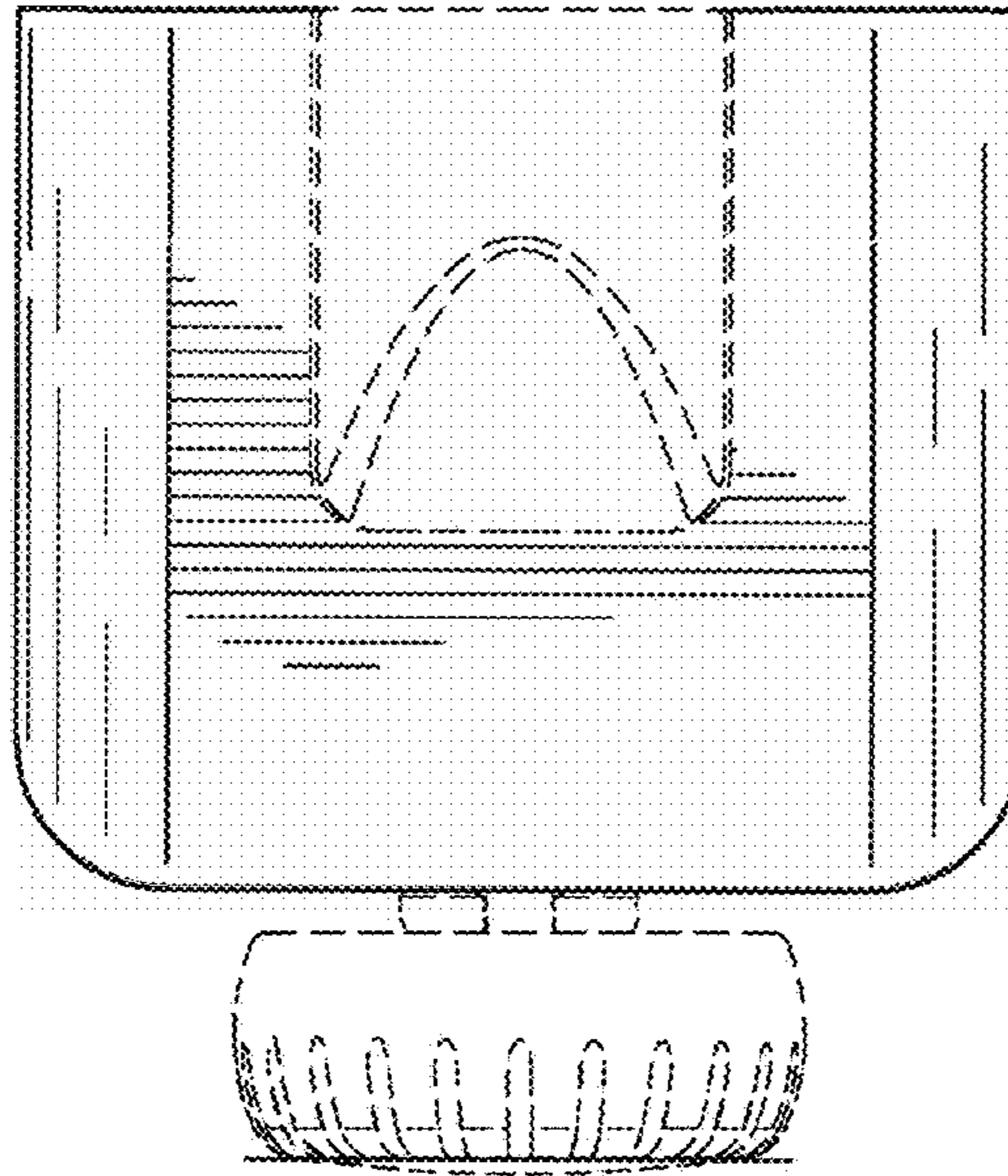


FIG. 11

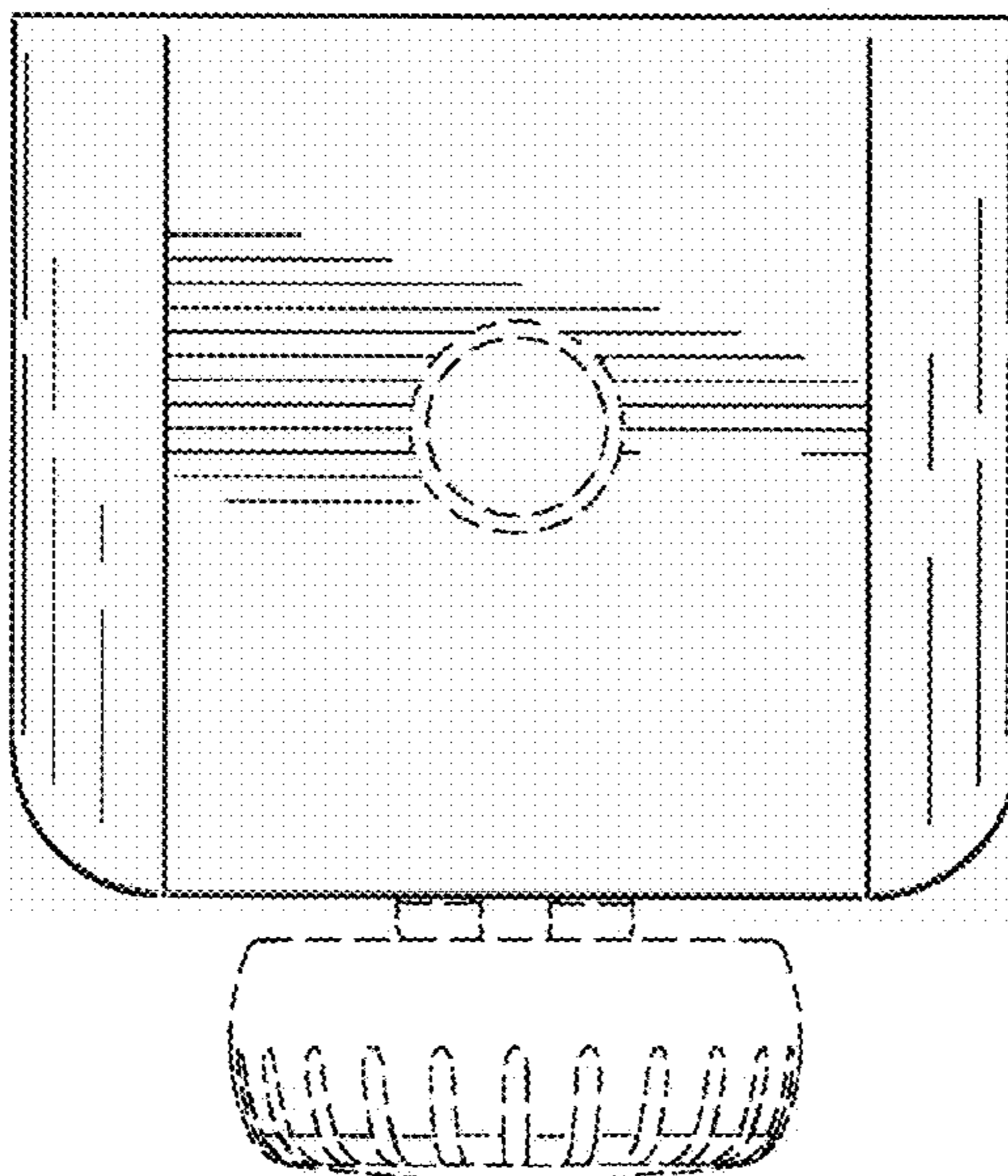


FIG. 12

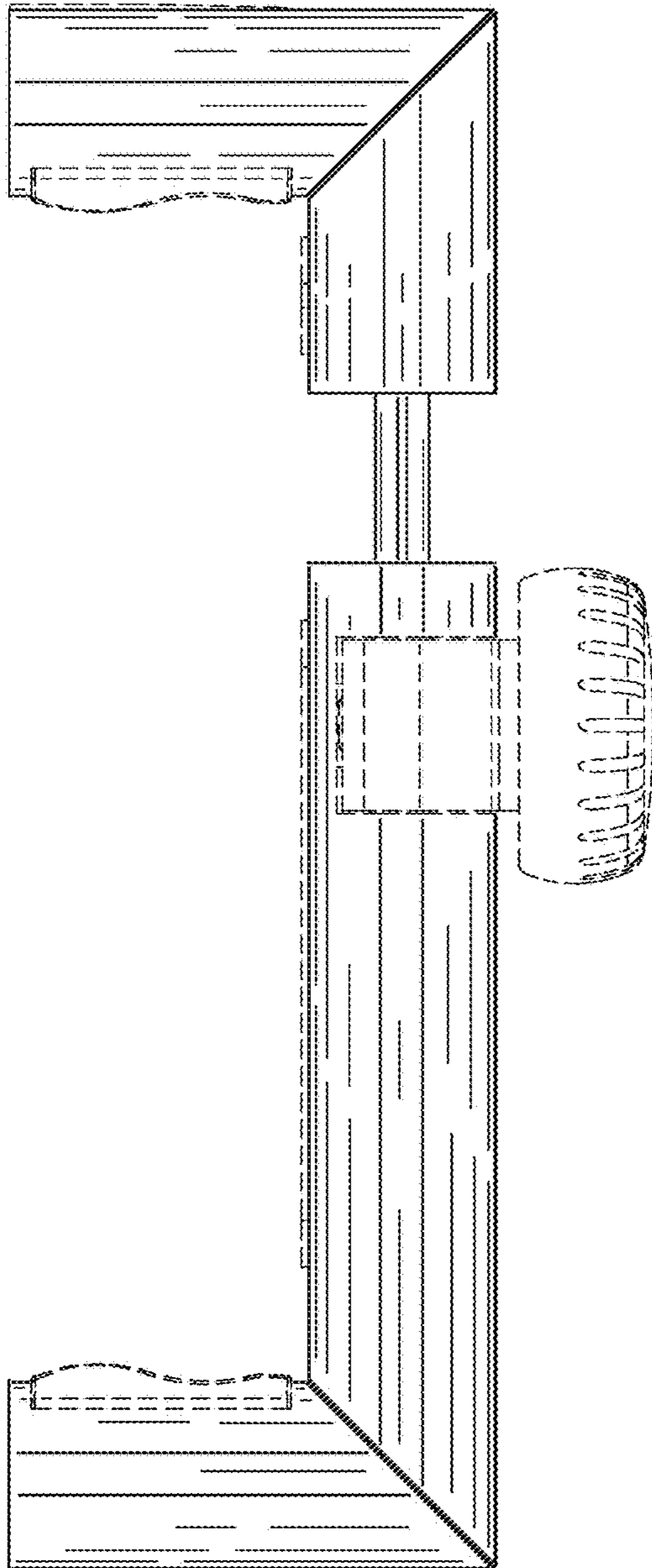


FIG. 13

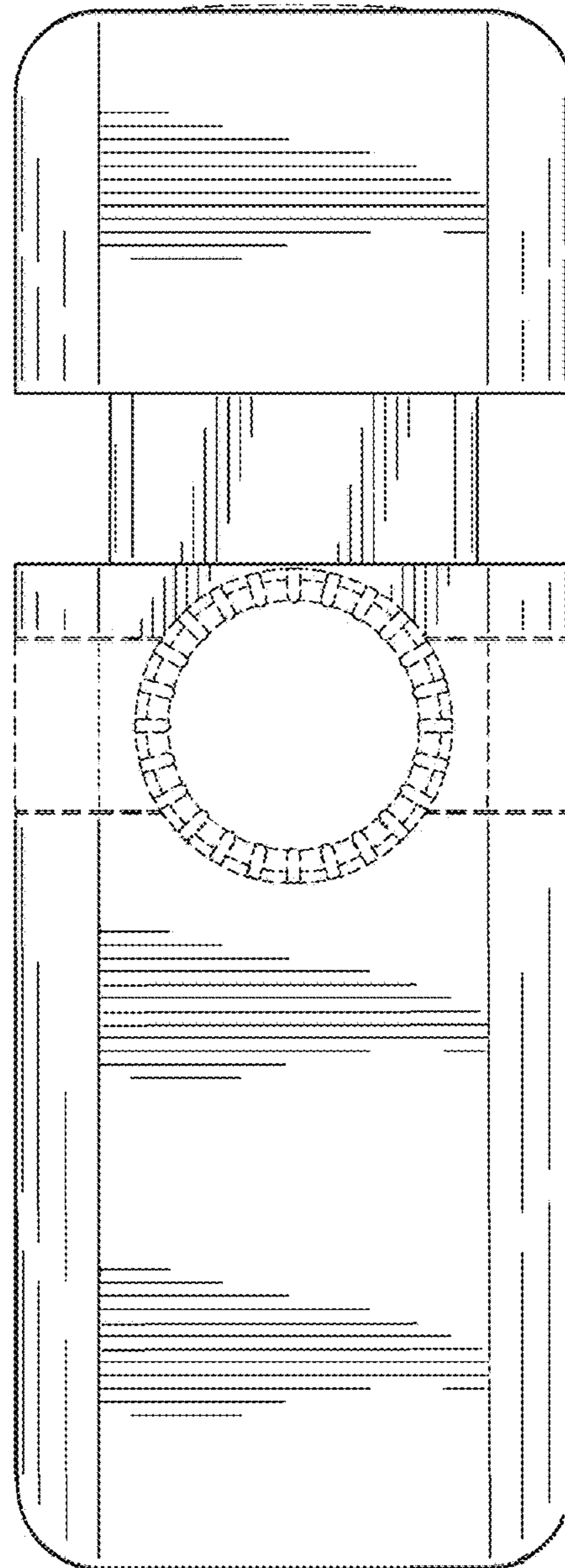


FIG. 14

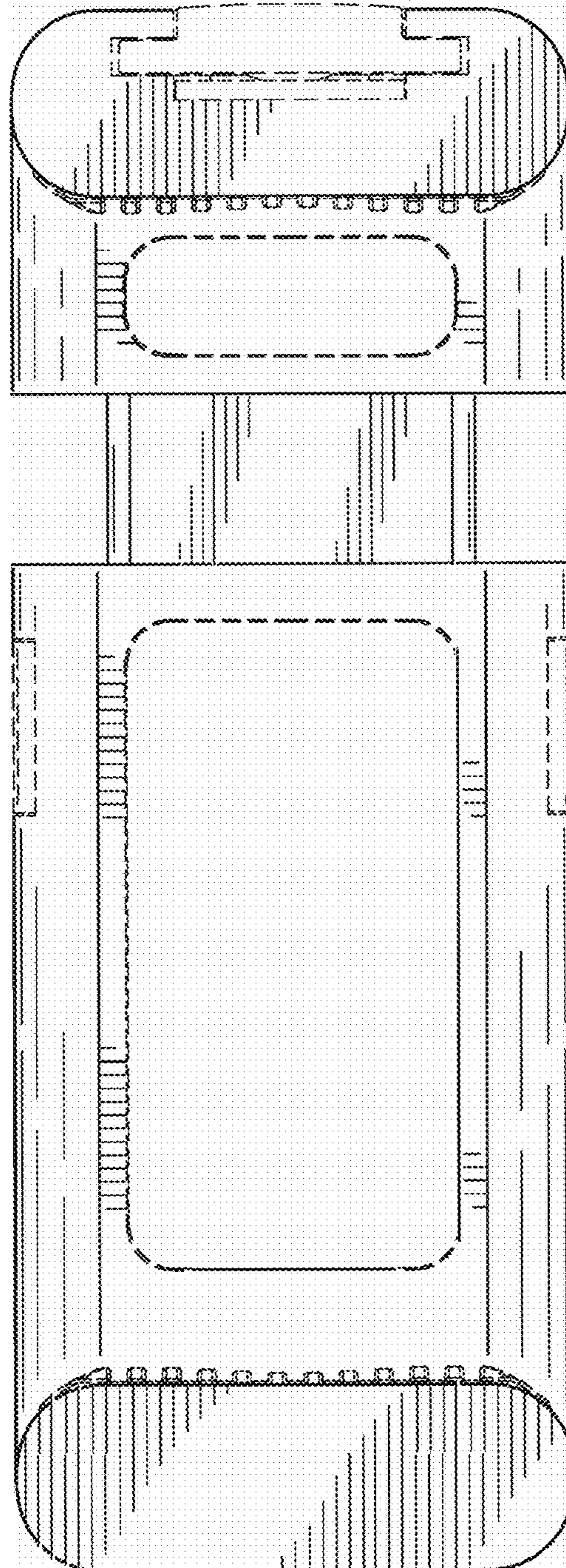


FIG. 15

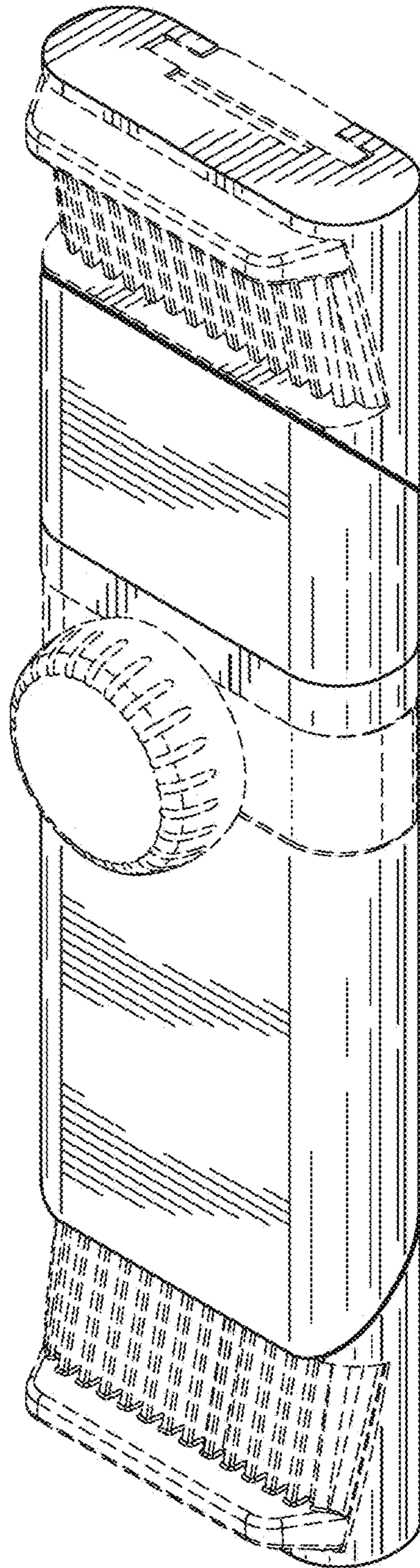


FIG. 16

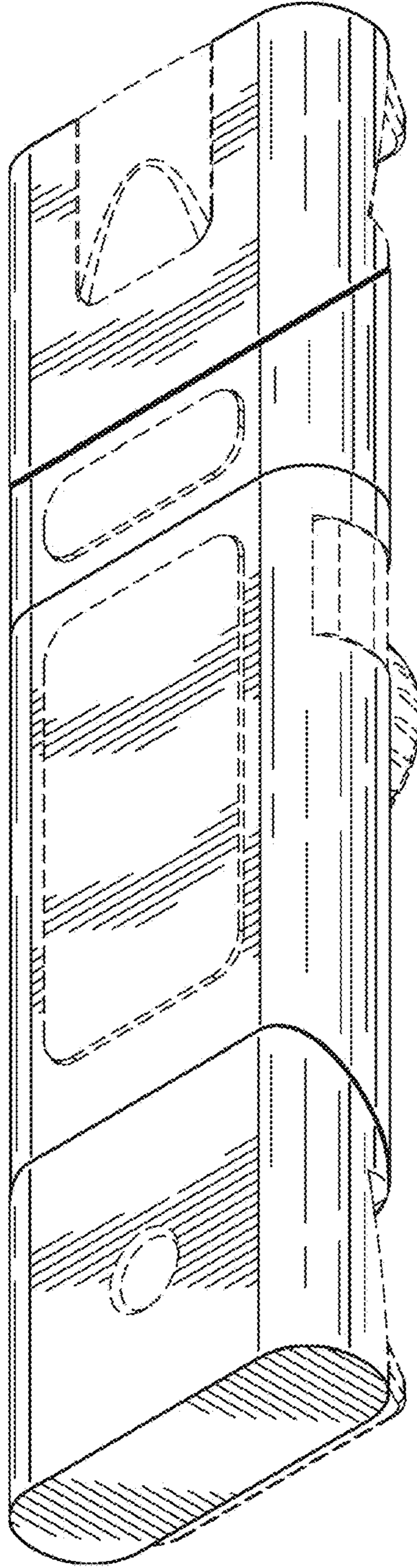


FIG. 17

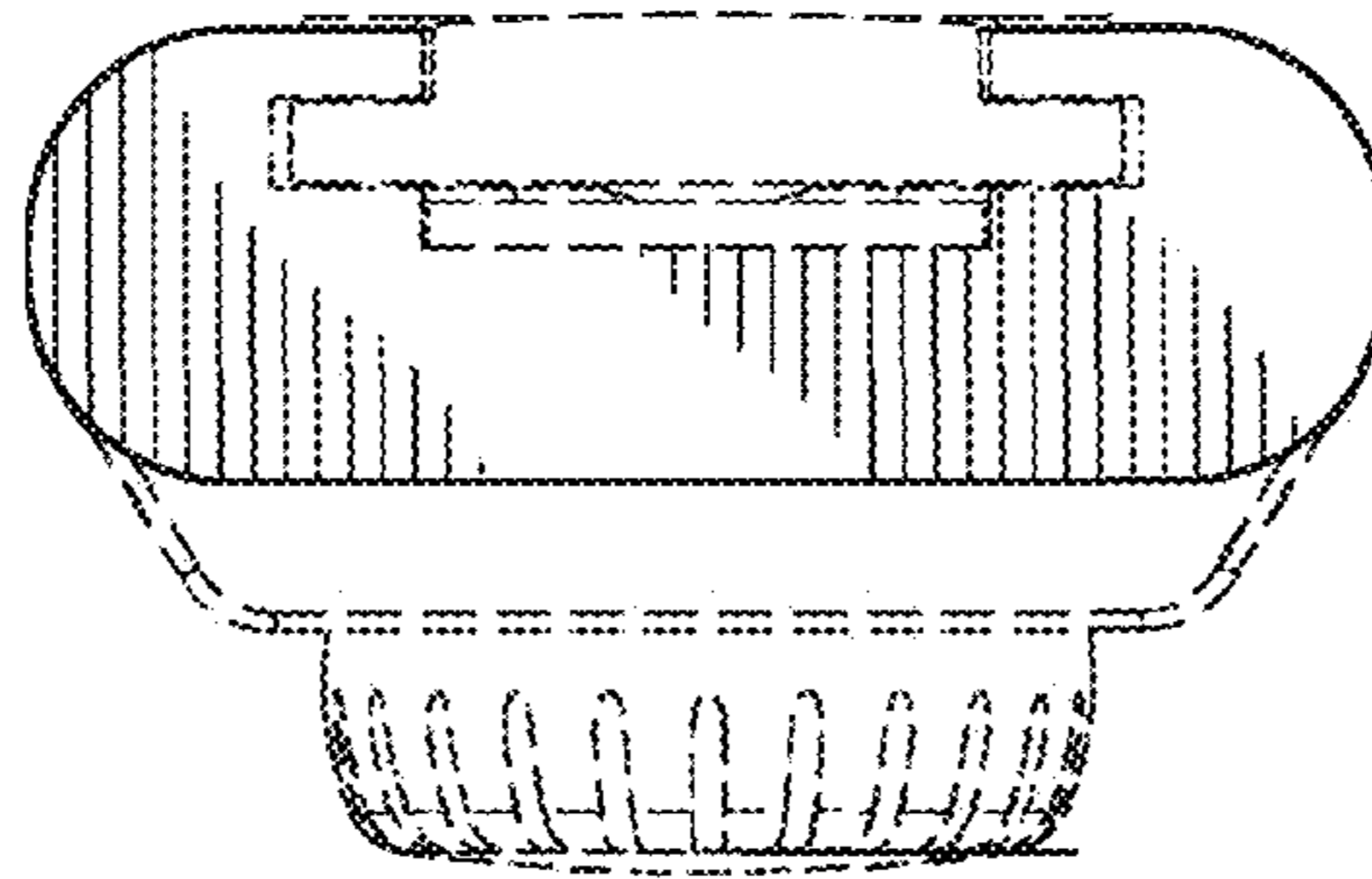


FIG. 18

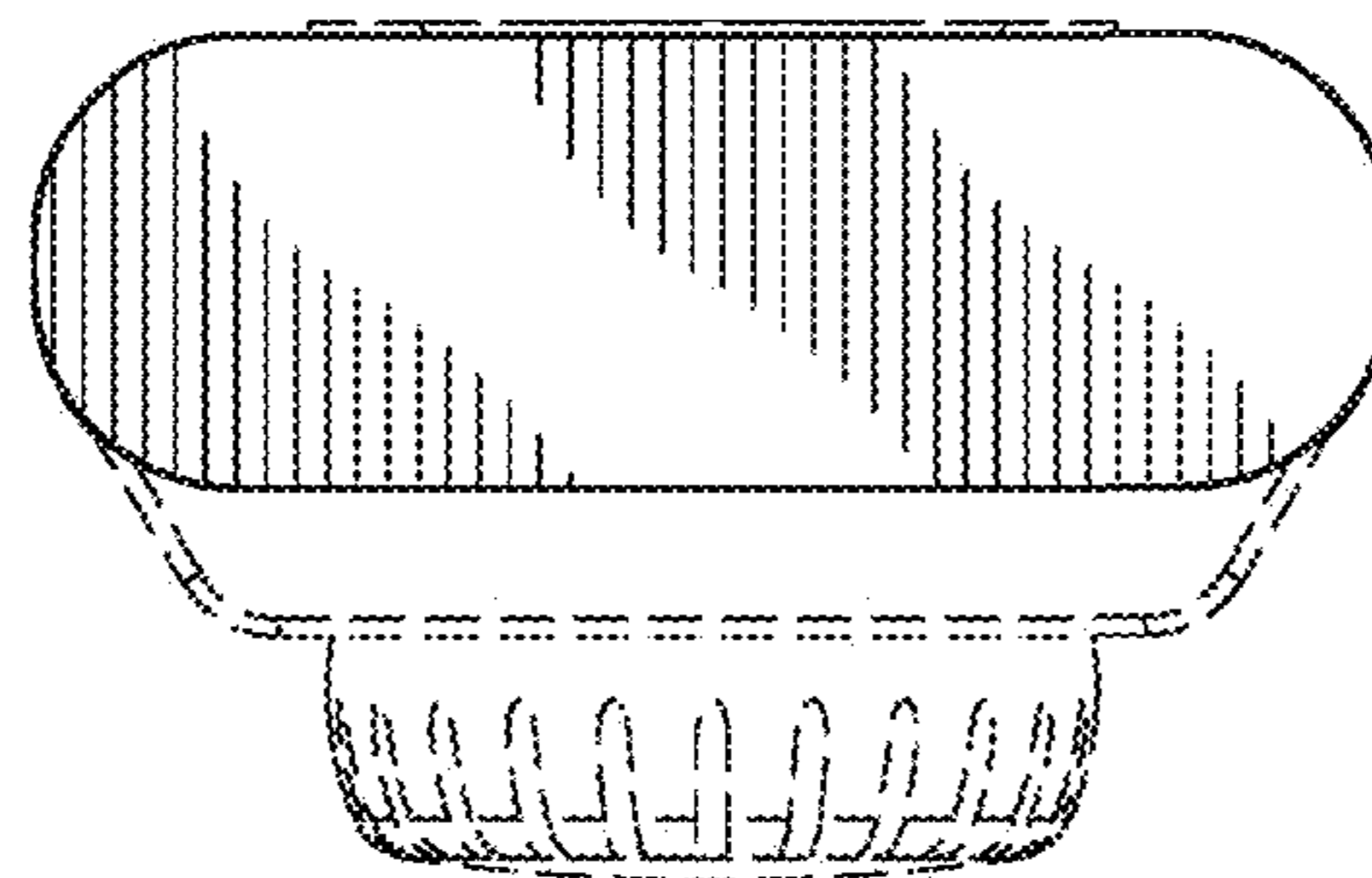


FIG. 19

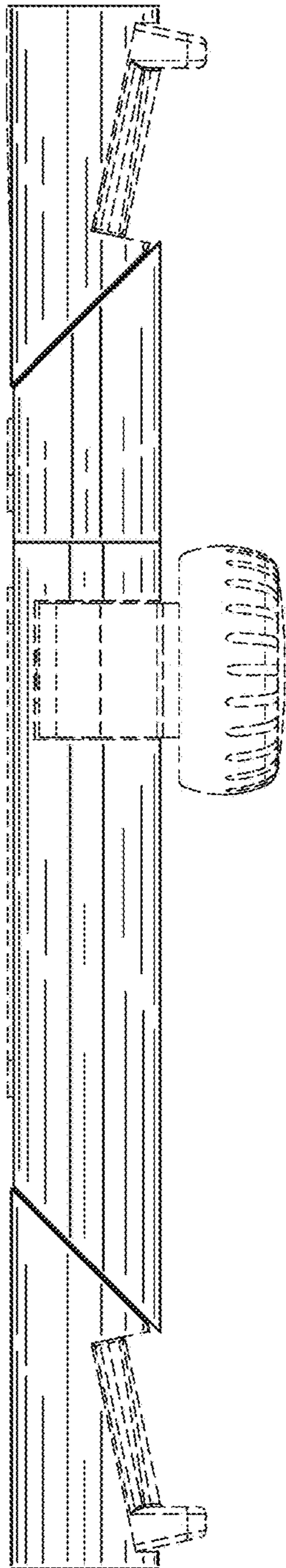


FIG. 20

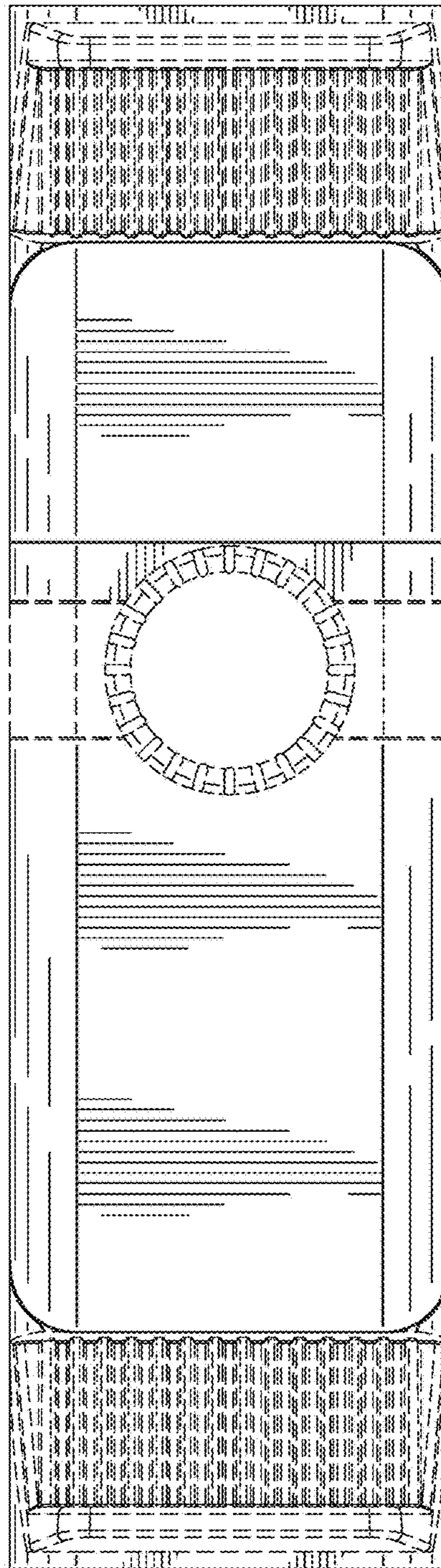




FIG. 21

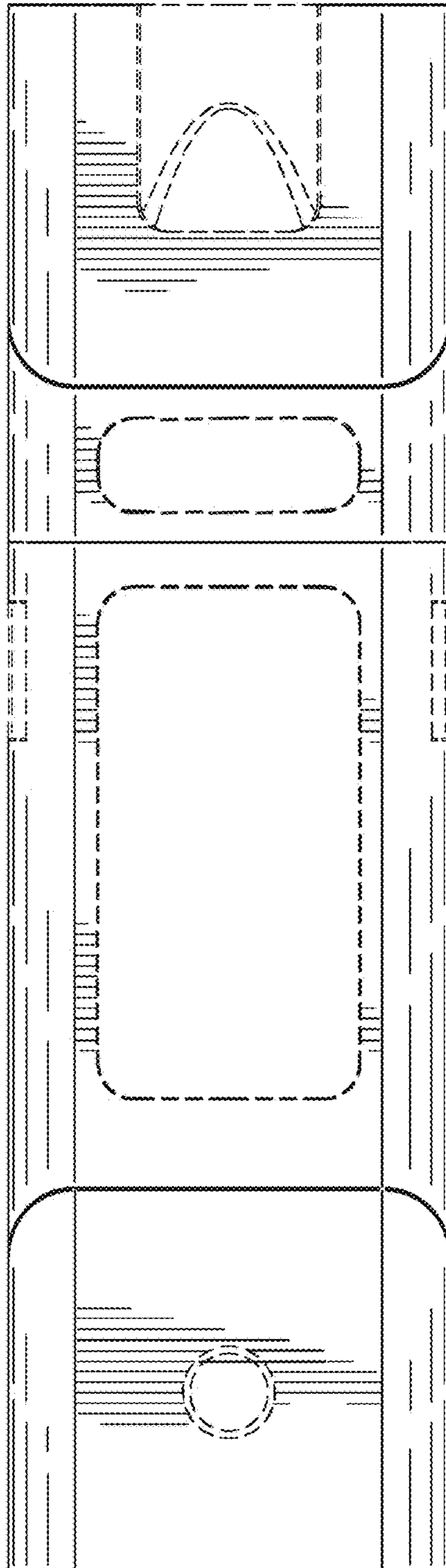


FIG. 22

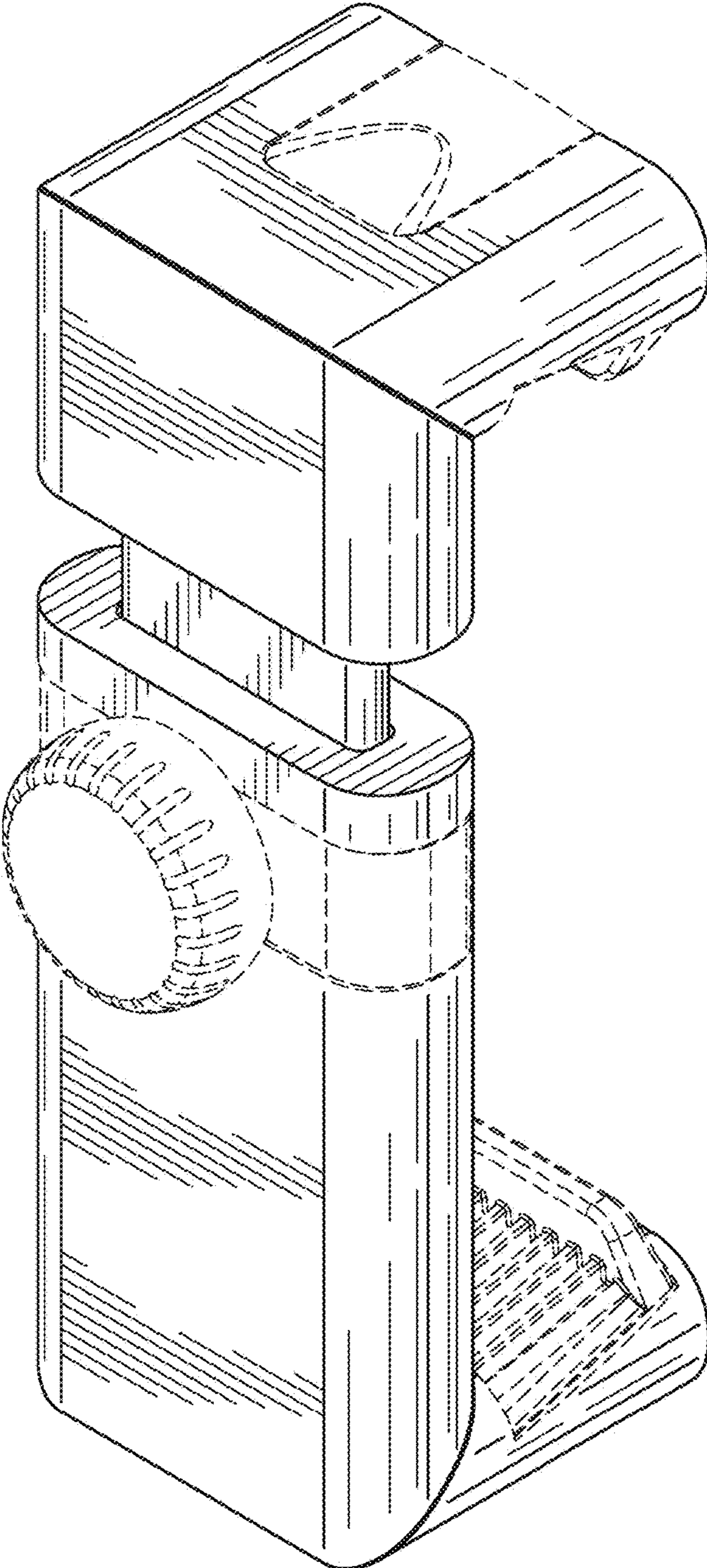


FIG. 23

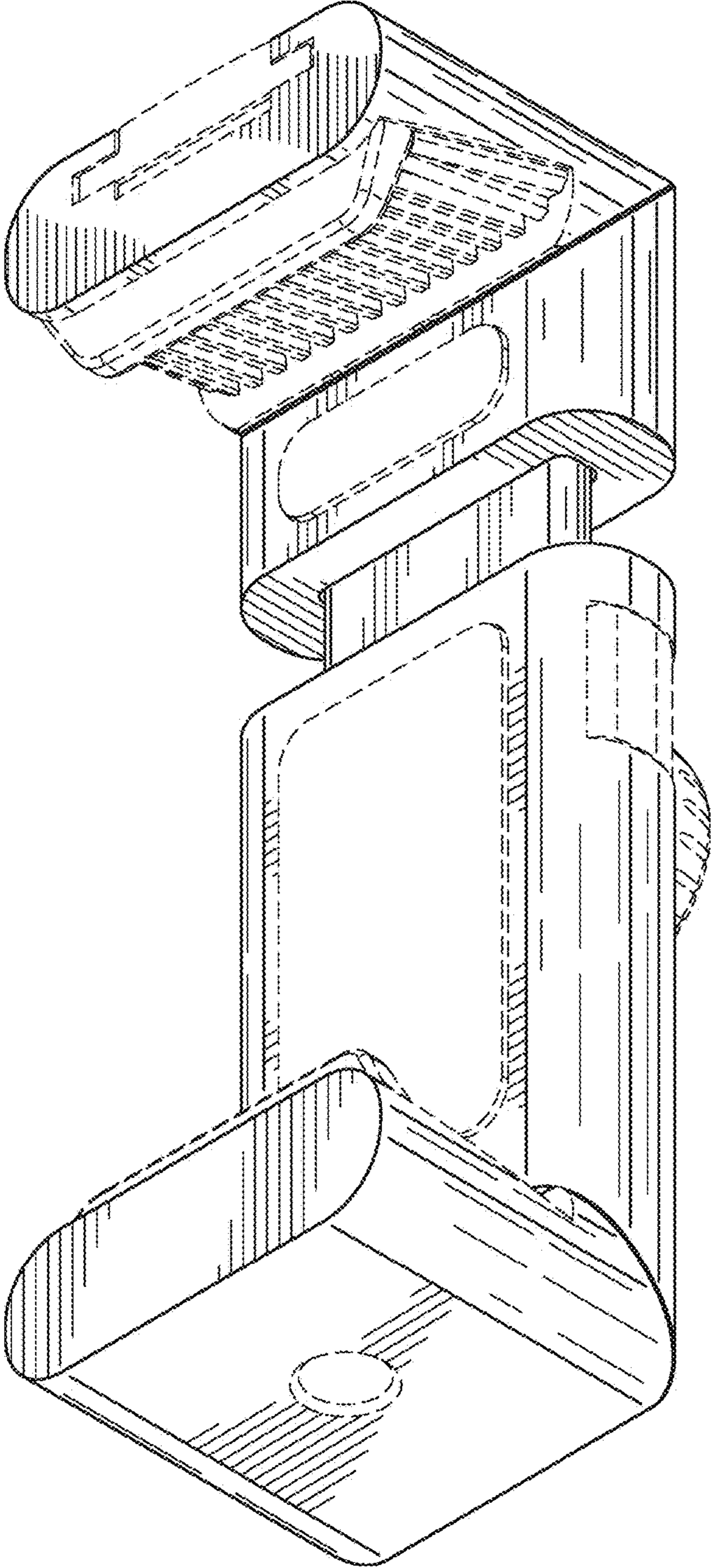


FIG. 24

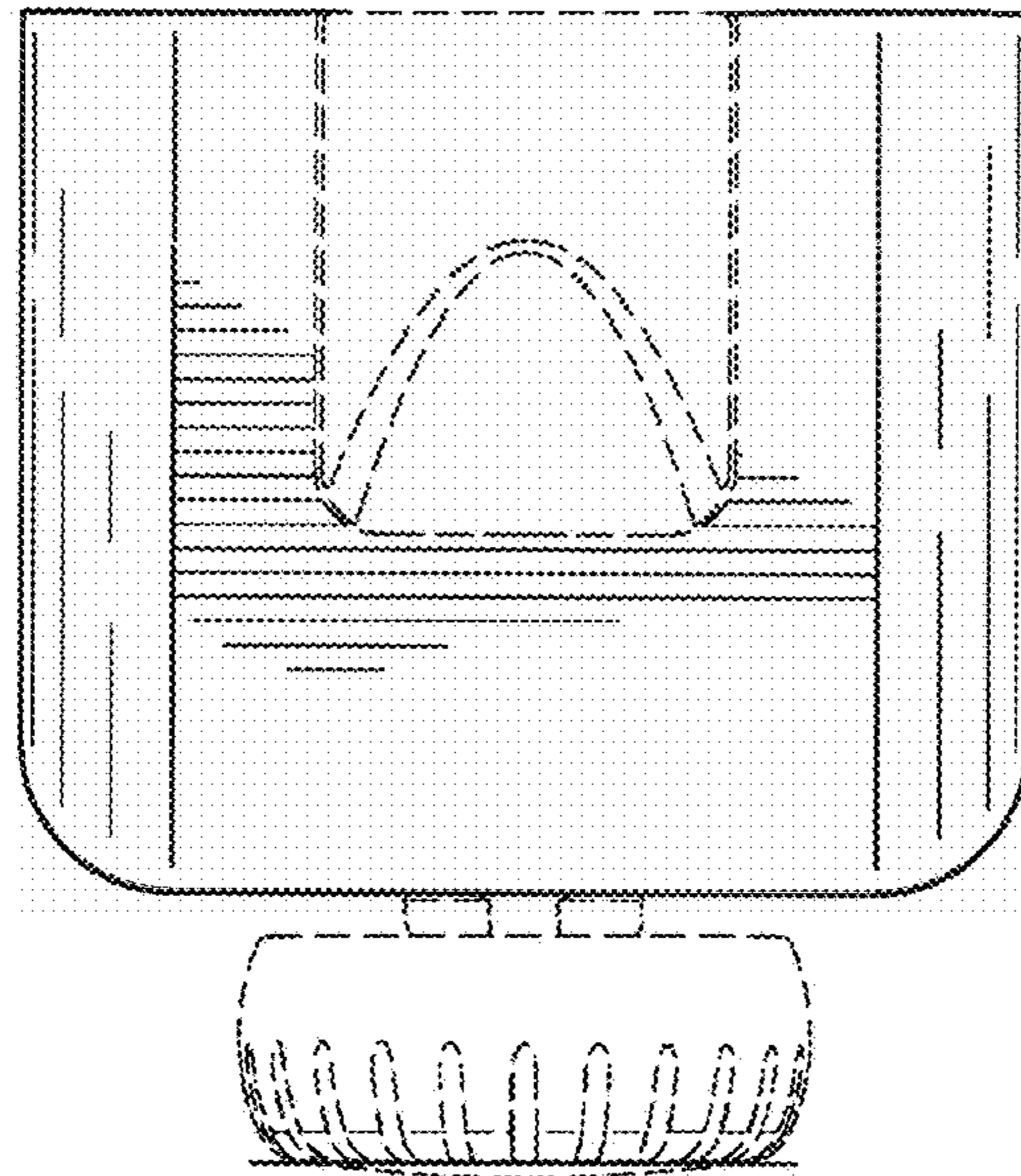


FIG. 25

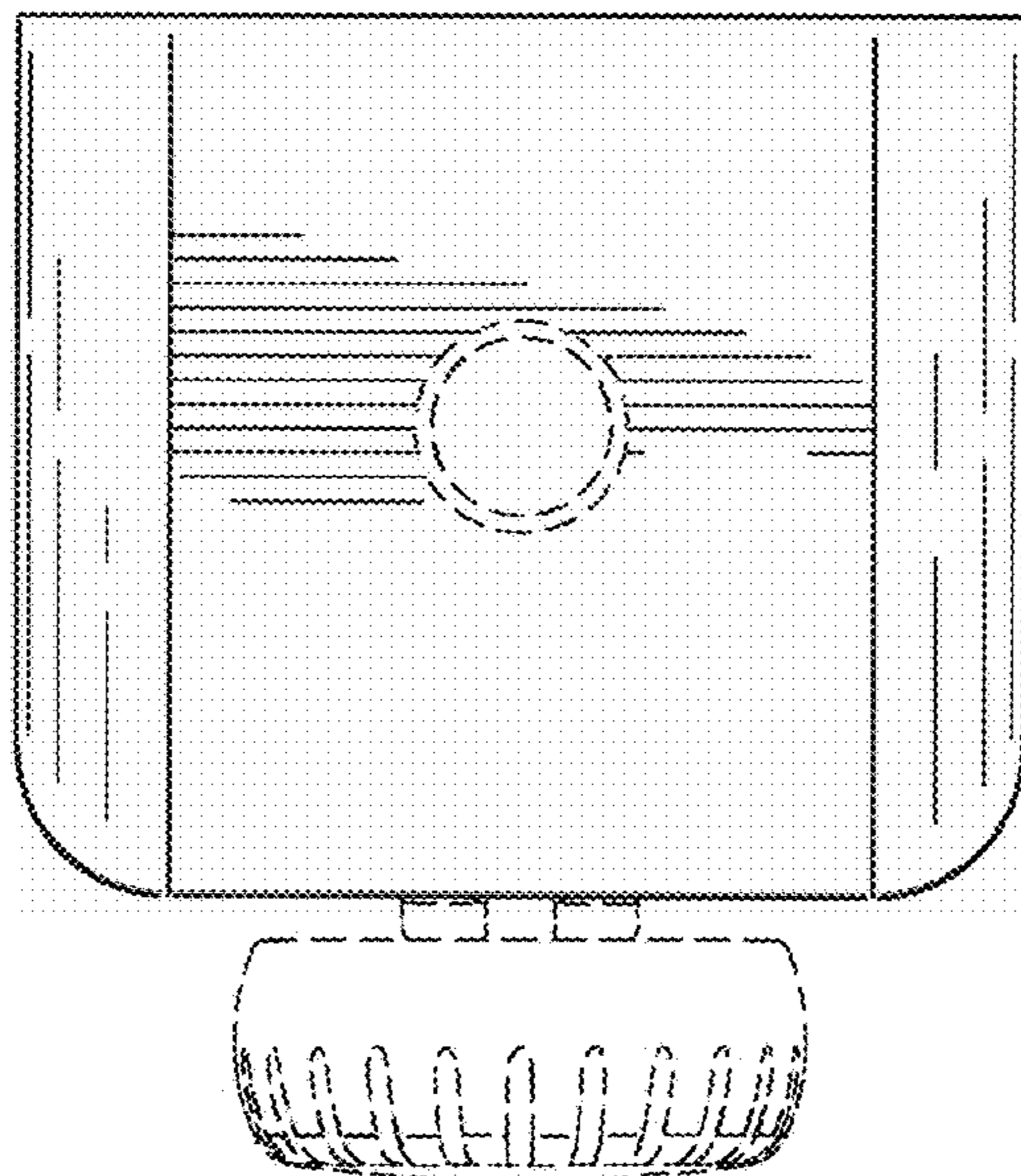


FIG. 26

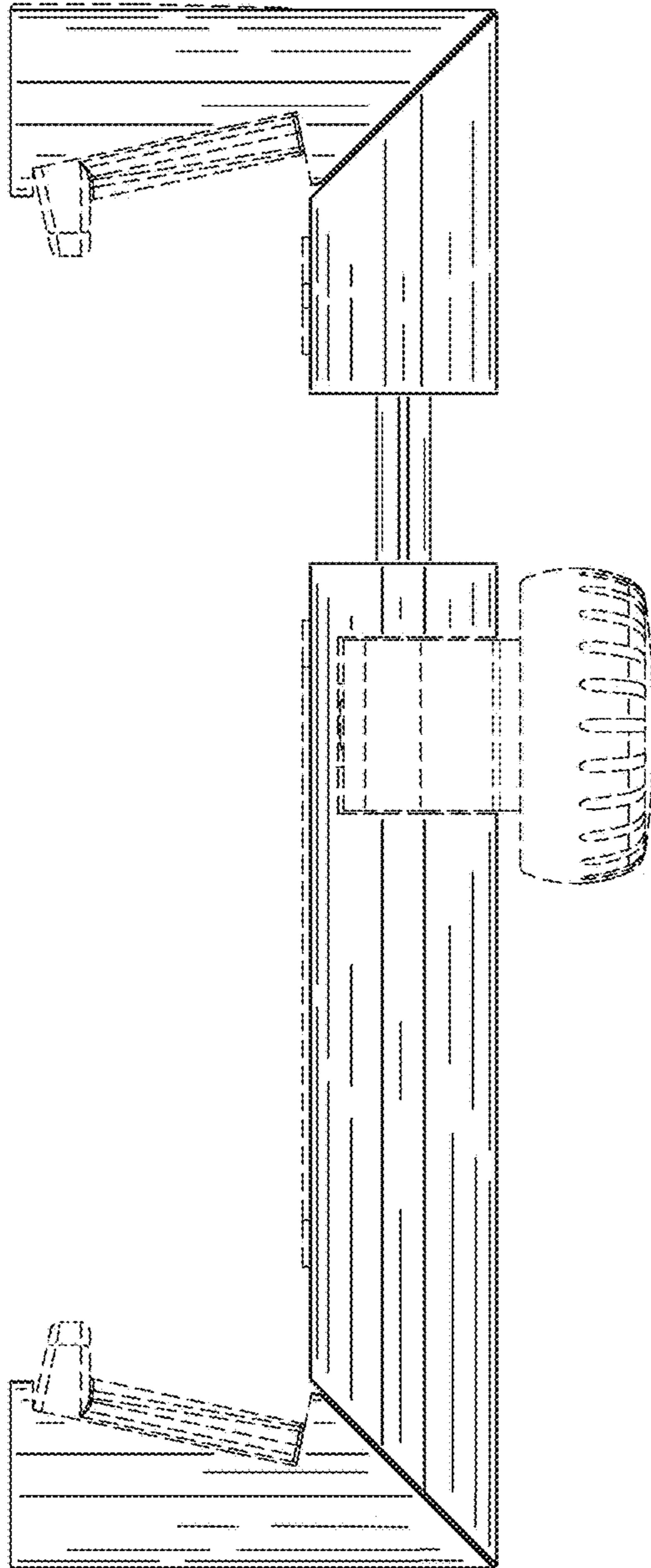


FIG. 27

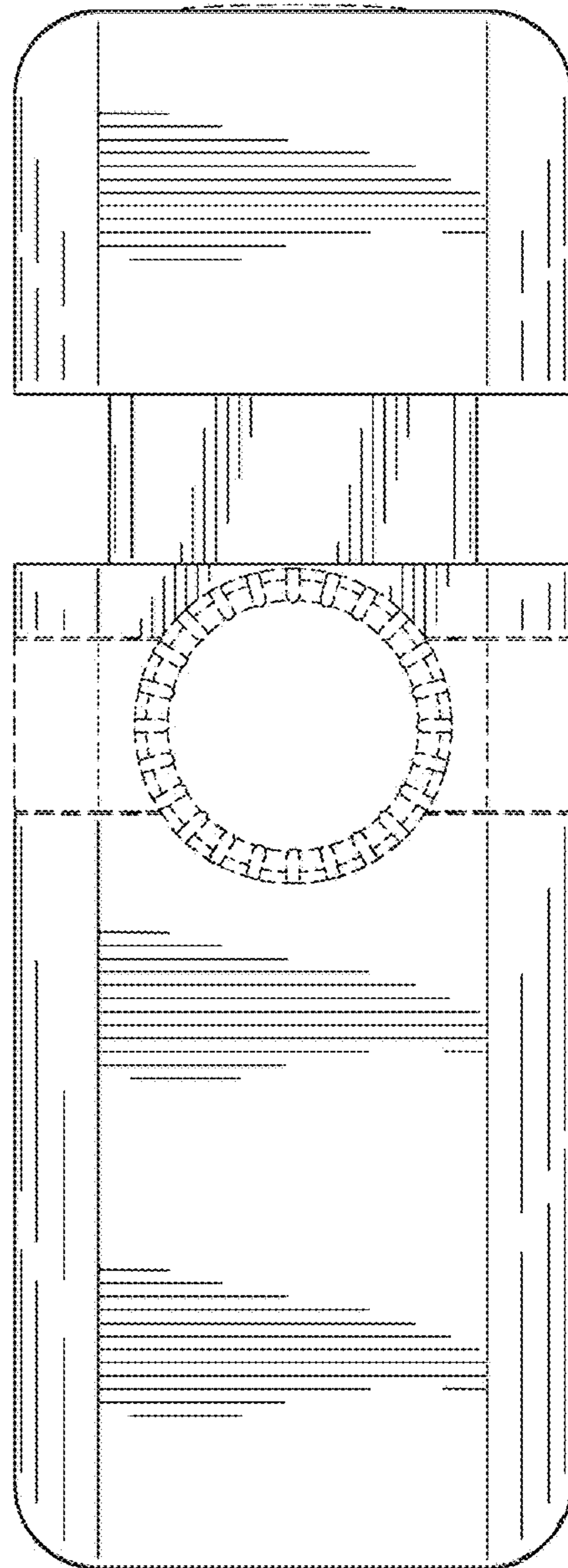


FIG. 28

