



US00D815100S

(12) **United States Design Patent** (10) **Patent No.:** **US D815,100 S**  
**Burmester** (45) **Date of Patent:** **\*\* Apr. 10, 2018**

- (54) **COVER FOR COMPUTERS**
  - (71) Applicant: **Ergonomic Solutions International Limited, GB-Surrey (GB)**
  - (72) Inventor: **Benny Burmester, Epsom (GB)**
  - (73) Assignee: **Ergonomic Solutions International Limited, GB-Surrey (GB)**
  - (\*\*) Term: **15 Years**
  - (21) Appl. No.: **29/611,250**
  - (22) Filed: **Jul. 19, 2017**
- |  |  |
|--|--|
| <ul style="list-style-type: none"> <li>D451,094 S * 11/2001 Powell .....</li> <li>D605,645 S * 12/2009 Kettula .....</li> <li>D641,756 S * 7/2011 Hsieh .....</li> <li>D643,029 S * 8/2011 Feng .....</li> <li>D668,660 S * 10/2012 Norfolk .....</li> <li>D677,249 S * 3/2013 Li .....</li> <li>D678,293 S * 3/2013 Meehan .....</li> <li>D687,427 S * 8/2013 Peterson .....</li> <li>D698,772 S * 2/2014 Merenda .....</li> <li>D718,316 S * 11/2014 Veltz .....</li> <li>D766,247 S * 9/2016 Burmester .....</li> <li>D776,122 S * 1/2017 Akana .....</li> <li>D776,123 S * 1/2017 Akana .....</li> <li>D786,879 S * 5/2017 Kim .....</li> <li>2013/0222139 A1* 8/2013 Gouge .....</li> </ul> | <ul style="list-style-type: none"> <li>D14/250</li> <li>D14/253</li> <li>D14/440</li> <li>D14/250</li> <li>D14/440</li> <li>D14/250</li> <li>D14/440</li> <li>D14/250</li> <li>D14/250</li> <li>D14/440</li> <li>D14/440</li> <li>D14/440</li> <li>D14/440</li> <li>D14/440</li> <li>A61B 5/01</li> <li>340/573.1</li> </ul> |
|--|--|

\* cited by examiner

**Related U.S. Application Data**

- (62) Division of application No. 29/543,229, filed on Oct. 22, 2015.
- (51) **LOC (11) Cl.** ..... **14-02**
- (52) **U.S. Cl.**  
USPC ..... **D14/440**
- (58) **Field of Classification Search**  
USPC .... D14/440, 250, 447, 426, 330; 206/45.23, 206/320, 45.2; 361/679.55; 294/25  
CPC ..... G06F 1/1628; G06F 1/1626; G06F 1/669; A47B 23/044; H04B 1/3888  
See application file for complete search history.

*Primary Examiner* — Cynthia Underwood  
(74) *Attorney, Agent, or Firm* — Berg Hill Greenleaf & Ruscitti LLP

(57) **CLAIM**

I claim the ornamental design for the cover for computers, as shown and described.

**DESCRIPTION**

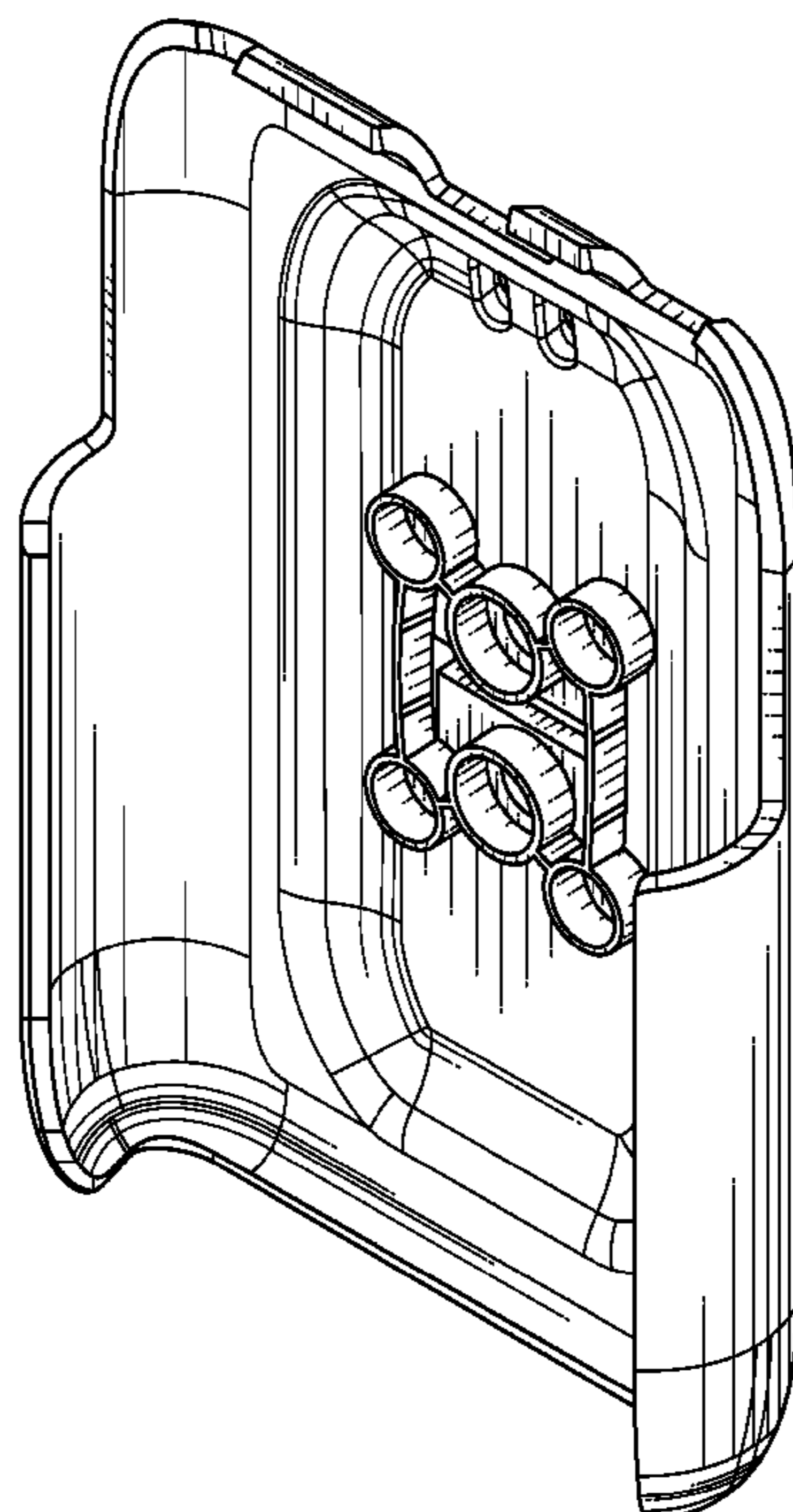
FIG. 1 is a bottom perspective view of a second embodiment of a cover for computers showing my new design;  
FIG. 2 is a bottom view thereof;  
FIG. 3 is a top view thereof;  
FIG. 4 is bottom side view thereof;  
FIG. 5 is a top side view thereof;  
FIG. 6 is a right side view thereof; and,  
FIG. 7 is a left side view thereof.

(56) **References Cited**

**U.S. PATENT DOCUMENTS**

- D397,246 S \* 8/1998 Hoofnagle .....
- D448,761 S \* 10/2001 Powell .....
- D448,762 S \* 10/2001 Powell .....

**1 Claim, 4 Drawing Sheets**



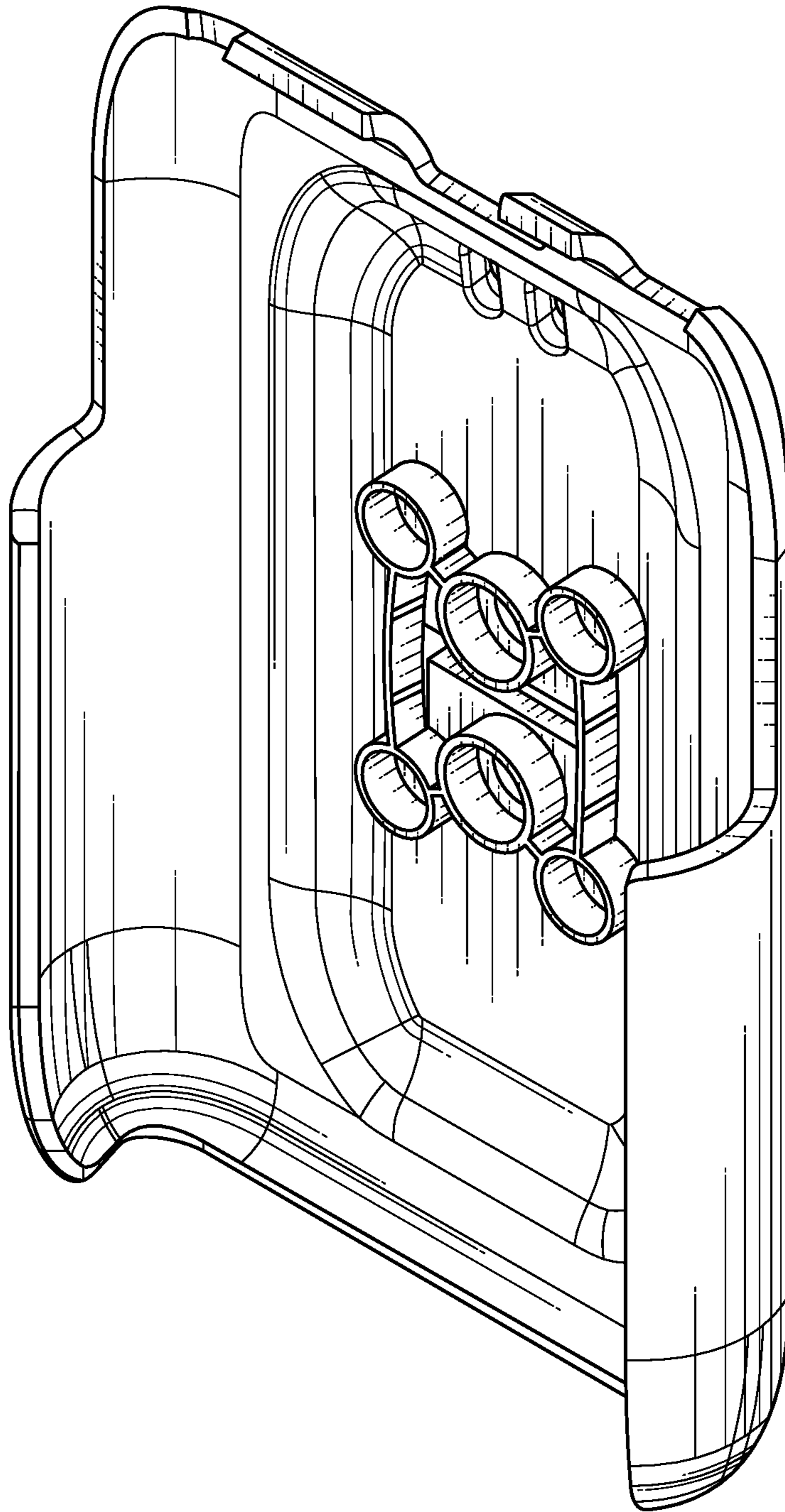


FIG. 1

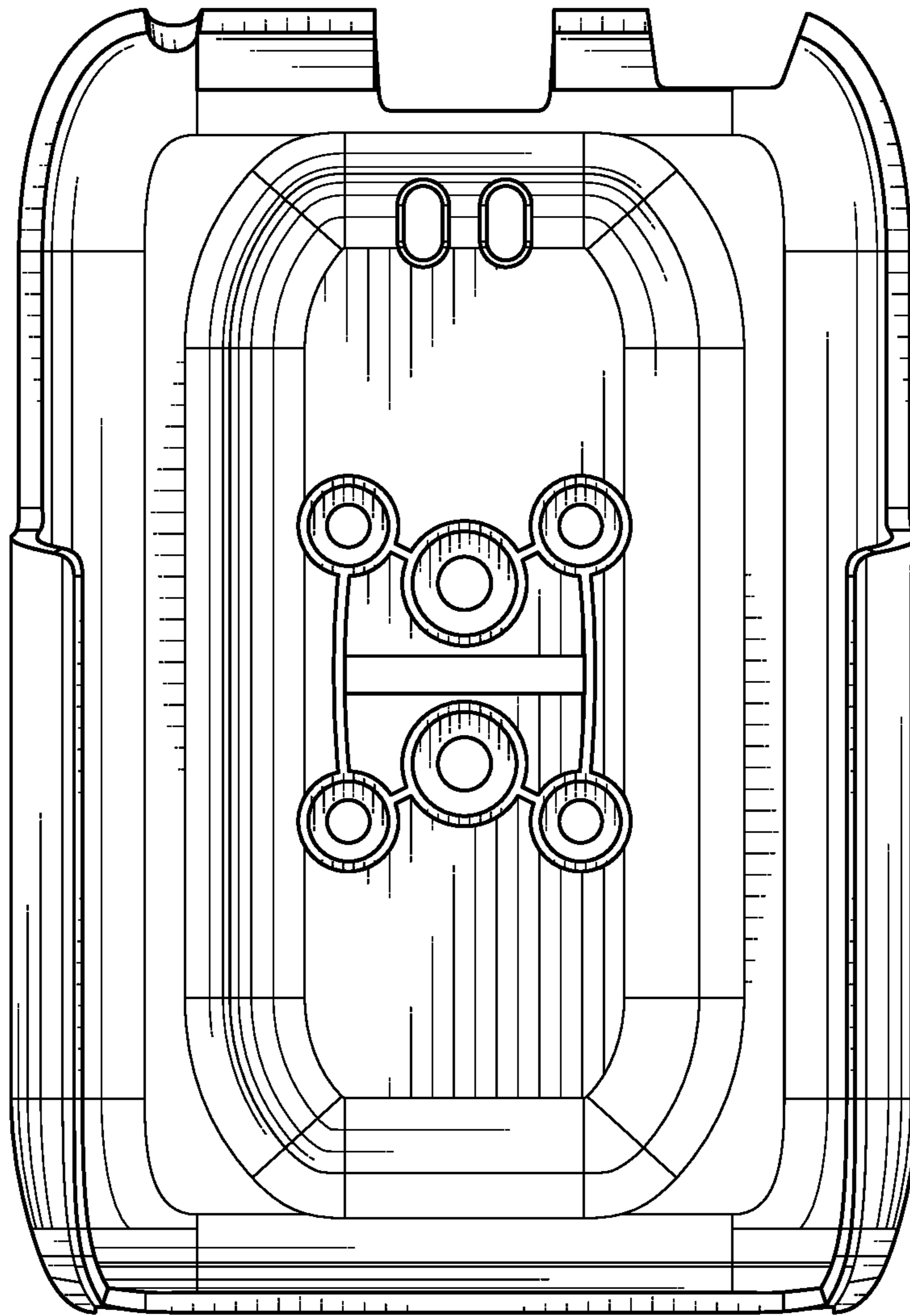


FIG. 2

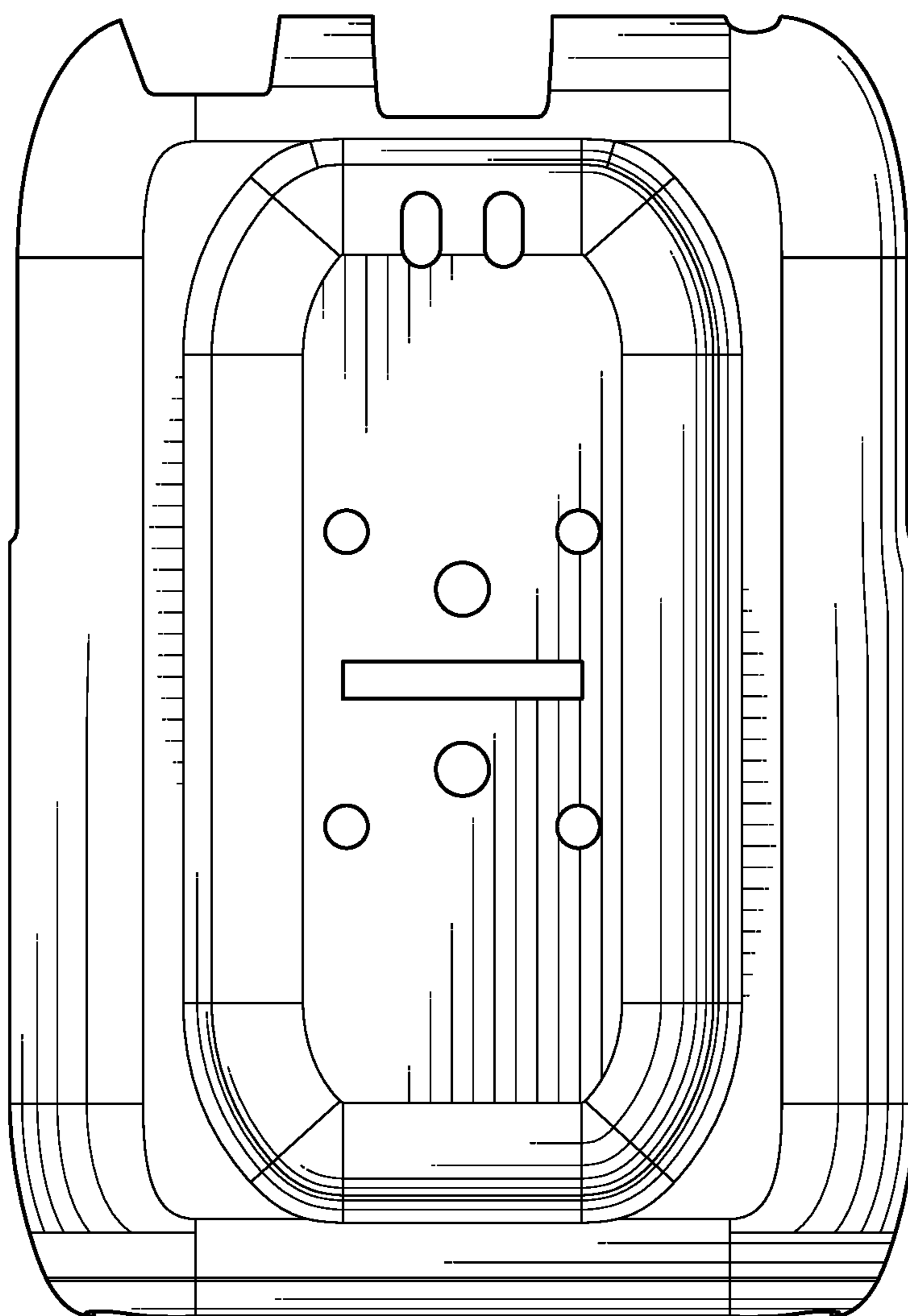


FIG. 3

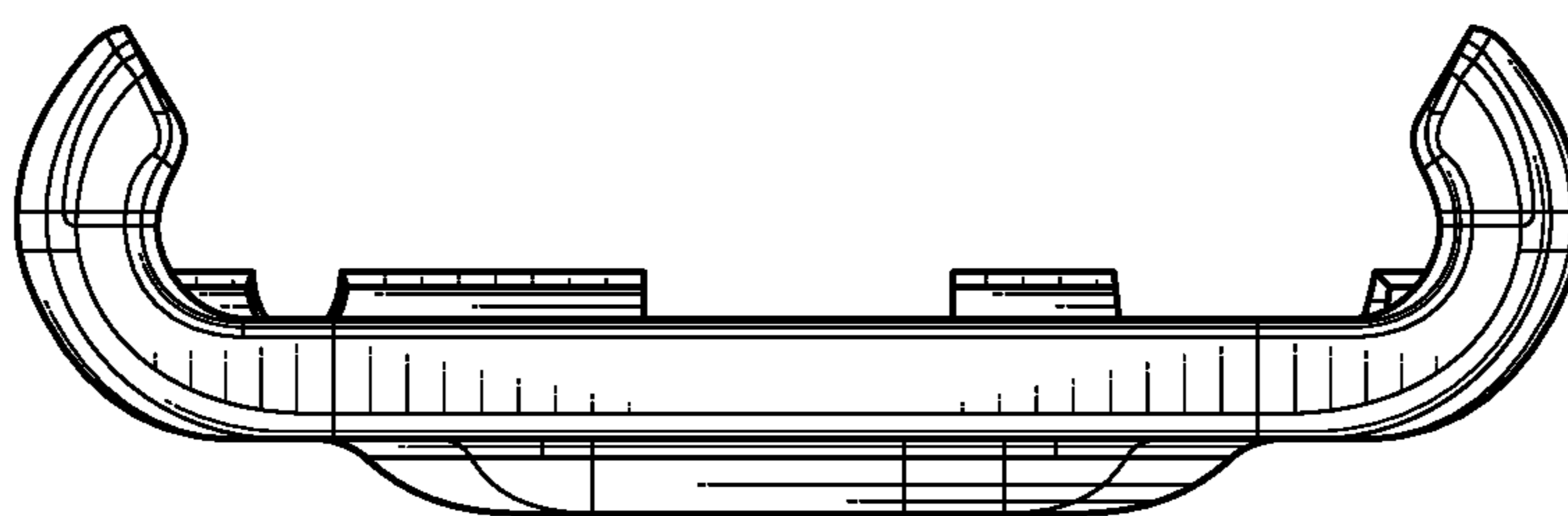


FIG. 4

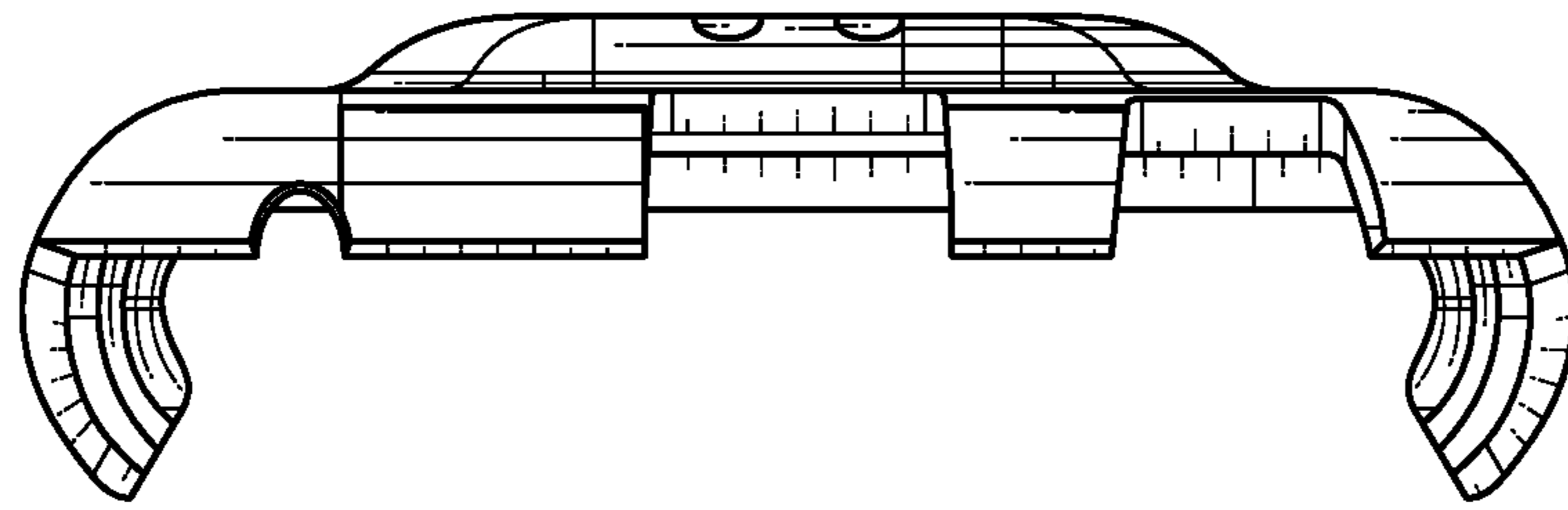


FIG. 5

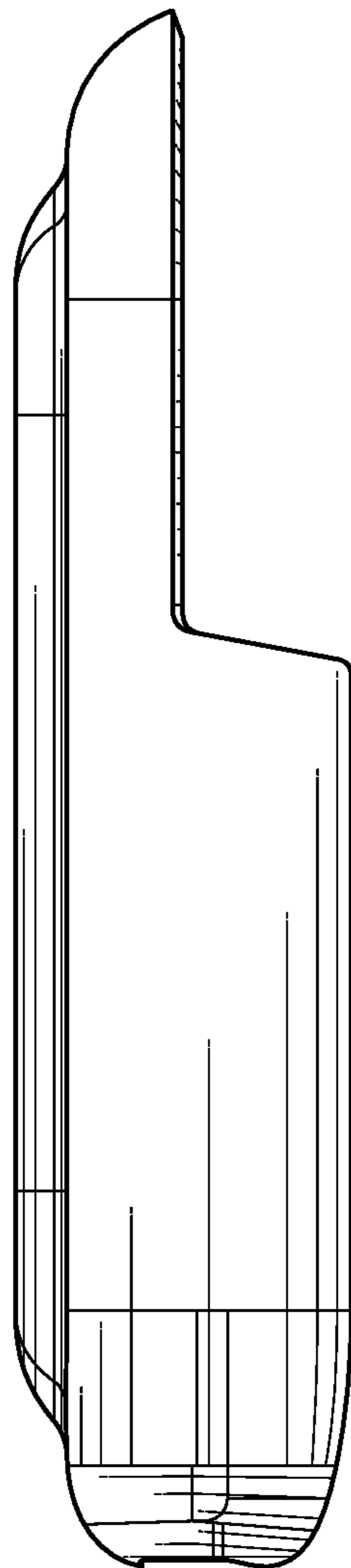


FIG. 6

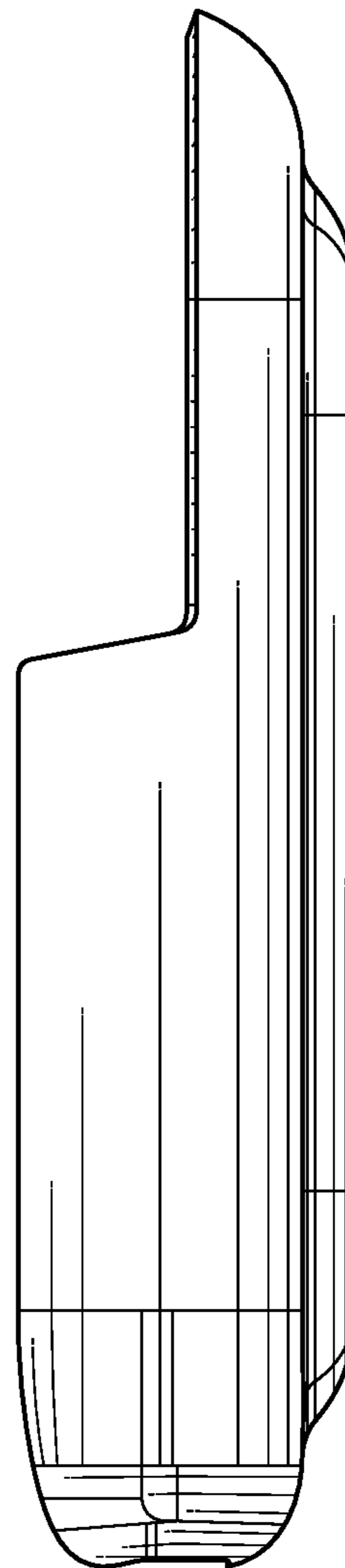


FIG. 7