



US00D815099S

(12) **United States Design Patent** (10) **Patent No.:** **US D815,099 S**
Magi et al. (45) **Date of Patent:** **** Apr. 10, 2018**

- (54) **CARD PC**
- (71) Applicant: **Intel Corporation**, Santa Clara, CA (US)
- (72) Inventors: **Aleksander Magi**, Aloha, OR (US); **David M Collins**, Portland, OR (US)
- (73) Assignee: **Intel Corporation**, Santa Clara, CA (US)
- (**) Term: **15 Years**
- (21) Appl. No.: **29/569,414**
- (22) Filed: **Jun. 27, 2016**
- (51) **LOC (11) Cl.** **14-02**
- (52) **U.S. Cl.**
USPC **D14/436**; D14/341; D14/356
- (58) **Field of Classification Search**
USPC D14/300–302, 308, 310, 312, 314, 341, D14/348–359, 363, 364, 365, 367, 432, D14/435, 436, 439, 474, 478, 483, 480.1, D14/480.3, 480.4, 496, 125, 240–242, D14/299, 250, 440, 498, 507, 509; D13/103, 107, 108, 110, 119, 123, 158, D13/162, 162.1, 163, 184, 199
CPC G11B 33/04; G11B 33/08; G11B 33/124; G11B 33/126; G11B 33/128; H05K 5/00; H05K 5/0213; G06F 1/16; G06F 1/1613; G06F 1/1633; G06F 1/181; G06F 1/187; G06F 1/183; G06F 1/184
See application file for complete search history.

- D490,804 S * 6/2004 Whitehorn D14/308
- 6,891,721 B2 * 5/2005 Huang G11B 25/043
361/679.33
- D520,502 S * 5/2006 Xu D14/356
(Continued)

OTHER PUBLICATIONS

Intel Showcases Compute Card Solutions With Partners At Computex 2017. newsroom.intel.com. [online] 5 pgs. Posted May 30, 2017 [Retrieved on Aug. 28, 2017] <https://newsroom.intel.com/news/intel-showcases-compute-card-solutions-partners-computex-2017/>.*

Primary Examiner — Susan Bennett Hattan
Assistant Examiner — Marie D. Fast Horse
(74) *Attorney, Agent, or Firm* — Schwegman Lundberg & Woessner, P.A.

(57) **CLAIM**

The ornamental design for a card PC, as shown and described.

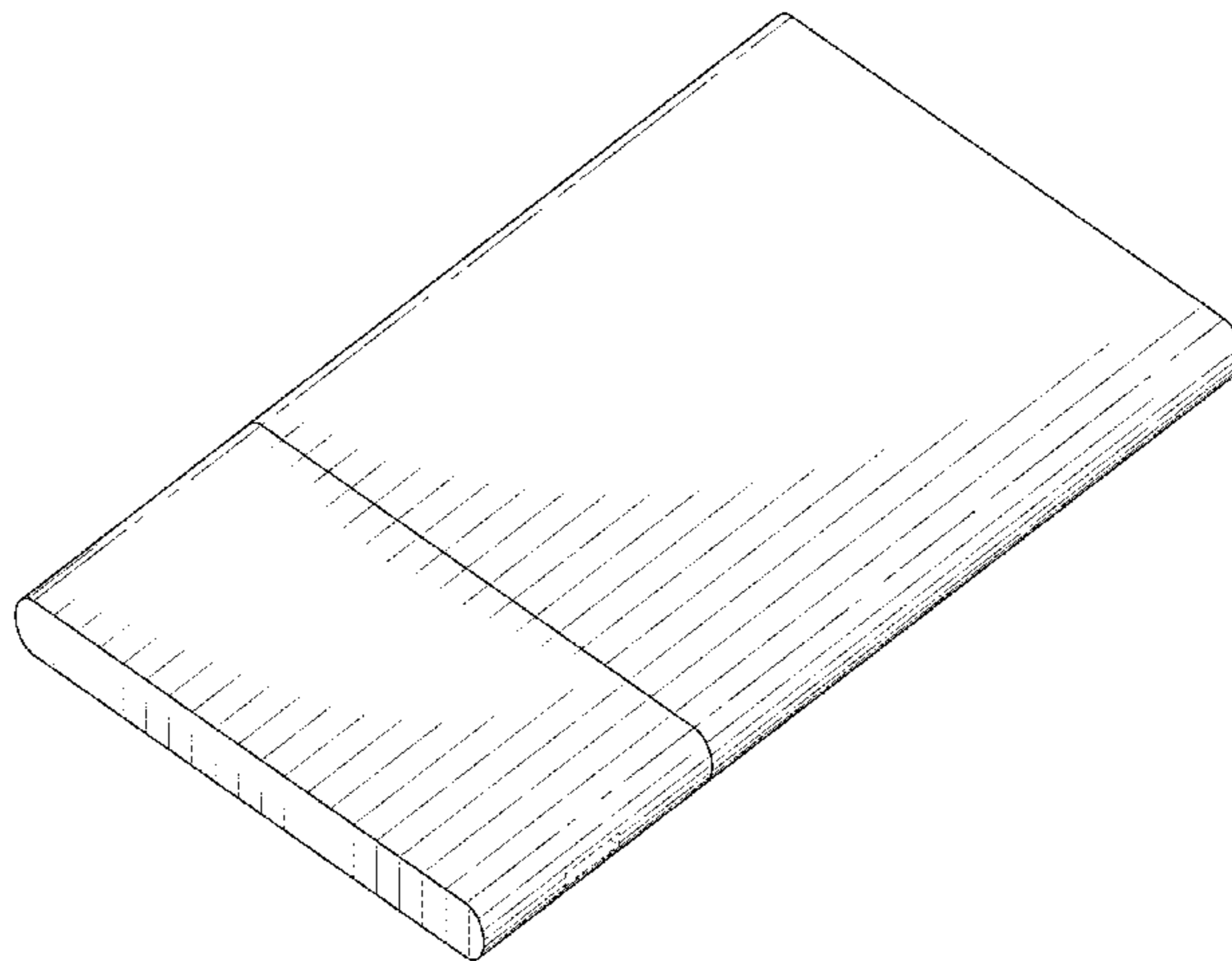
DESCRIPTION

FIG. 1 is a perspective view of a card PC, showing our new design with an environmental docking station;
FIG. 2 is a top perspective view of the device in FIG. 1;
FIG. 3 is a bottom perspective view of the device in FIG. 1;
FIG. 4 is a top planar view of the device in FIG. 1;
FIG. 5 is a bottom planar view of the device in FIG. 1;
FIG. 6 is a right side planar view of the device in FIG. 1;
FIG. 7 is a left side planar view of the device in FIG. 1, and opposite of FIG. 6;
FIG. 8 is a front planar view of the device in FIG. 1; and,
FIG. 9 is a back planar view of the device in FIG. 1.
The broken lines in FIG. 1 showing the docking station depict environmental subject matter only and form no part of the claim, while all other broken lines in the drawings depict portions of the card PC that form no part of the claimed design.

1 Claim, 7 Drawing Sheets

(56) **References Cited**
U.S. PATENT DOCUMENTS

- D298,326 S * 11/1988 Kimura D14/436
- D298,327 S * 11/1988 Kimura D14/436
- D311,737 S * 10/1990 Westwood D14/435
- D339,806 S * 9/1993 Grinkus D14/217
- D419,537 S * 1/2000 Rodriguez D14/385
- D490,415 S * 5/2004 Whitehorn D14/302
- D490,796 S * 6/2004 Allen D14/260



(56)

References Cited

U.S. PATENT DOCUMENTS

D531,178 S * 10/2006 Lee D14/367
 D534,184 S * 12/2006 Leija D14/496
 D539,814 S * 4/2007 Andre D14/203.3
 D542,784 S * 5/2007 Franck D14/240
 D556,185 S * 11/2007 Motoishi D10/2
 D568,310 S * 5/2008 Franck D14/240
 D575,787 S * 8/2008 Su D14/436
 D578,119 S * 10/2008 Camarena D14/368
 D585,077 S * 1/2009 Sheba D14/434
 D586,740 S * 2/2009 Song D13/103
 D586,741 S * 2/2009 Song D13/103
 D590,334 S * 4/2009 Tatehata D13/103
 D590,336 S * 4/2009 Tatehata D13/103
 D590,769 S * 4/2009 Tatehata D13/103
 D593,940 S * 6/2009 Nomi D13/103
 D593,971 S * 6/2009 Kim D14/125
 D593,972 S * 6/2009 Cho D14/125
 D599,341 S * 9/2009 Chen D14/300
 D605,157 S * 12/2009 Kim D14/138 G
 D611,470 S * 3/2010 Andre D14/341
 D612,329 S * 3/2010 Guccione D13/108
 D618,207 S * 6/2010 Andre D14/203.3
 D626,552 S * 11/2010 Andre D14/341
 D626,867 S * 11/2010 Kuramoto D10/65
 D631,458 S * 1/2011 Liao D14/138 G
 D636,752 S * 4/2011 Liao D14/138 G
 D638,385 S * 5/2011 Wong D14/125
 D642,999 S * 8/2011 Wan D14/125
 D646,222 S * 10/2011 Tatehata D13/103
 D647,901 S * 11/2011 Lin D14/356
 D648,690 S * 11/2011 Snodgrass D14/125
 D656,496 S * 3/2012 Andre D14/341
 D665,734 S * 8/2012 Fitch D13/107
 D672,336 S * 12/2012 Lister D14/218
 D677,623 S * 3/2013 Fitch D13/108
 D678,191 S * 3/2013 Fitch D13/108
 8,446,711 B2 * 5/2013 Liao H04M 1/0283
 361/679.01
 D684,114 S * 6/2013 Otani D13/103

D695,316 S * 12/2013 Akana D14/496
 D697,507 S * 1/2014 Yu D14/341
 D697,911 S * 1/2014 McManigal D14/341
 D705,782 S * 5/2014 McParland D14/435
 D706,778 S * 6/2014 Kawasaki D14/356
 D706,779 S * 6/2014 Kawasaki D14/356
 D709,507 S * 7/2014 McParland D14/435
 D717,243 S * 11/2014 Liu D13/103
 D719,506 S * 12/2014 Jung D13/108
 D720,755 S * 1/2015 Nokuo D14/433
 D721,671 S * 1/2015 Nam D14/138 AD
 D722,035 S * 2/2015 Nam D14/138 AD
 D722,036 S * 2/2015 Nam D14/138 G
 D724,080 S * 3/2015 Lin D14/356
 D729,727 S * 5/2015 Lin D13/103
 D732,023 S * 6/2015 Asao D14/358
 D740,828 S * 10/2015 Bucsa D14/433
 D743,398 S * 11/2015 Smith D14/433
 D751,981 S * 3/2016 Lin D13/103
 D751,982 S * 3/2016 Lin D13/103
 D754,131 S * 4/2016 Shim D14/436
 9,312,633 B1 * 4/2016 Szeto H01R 13/6205
 D756,996 S * 5/2016 Akana D14/341
 D763,188 S * 8/2016 Park D13/108
 D768,594 S * 10/2016 Szeto D14/138 G
 D769,811 S * 10/2016 Lin D13/103
 D770,378 S * 11/2016 Lin D13/103
 D770,379 S * 11/2016 Lin D13/103
 D770,380 S * 11/2016 Lin D13/103
 D771,034 S * 11/2016 Satzger D14/341
 D774,514 S * 12/2016 Turksu D14/480.5
 D783,603 S * 4/2017 Satzger D14/341
 D792,409 S * 7/2017 Shim D14/435
 2005/0227737 A1 * 10/2005 Moon H04M 1/04
 455/566
 2009/0117412 A1 * 5/2009 Koh H01M 2/0473
 429/7
 2011/0254509 A1 * 10/2011 Boczer H01M 4/0404
 320/127
 2012/0206088 A1 * 8/2012 Park H02J 7/00
 320/106

* cited by examiner

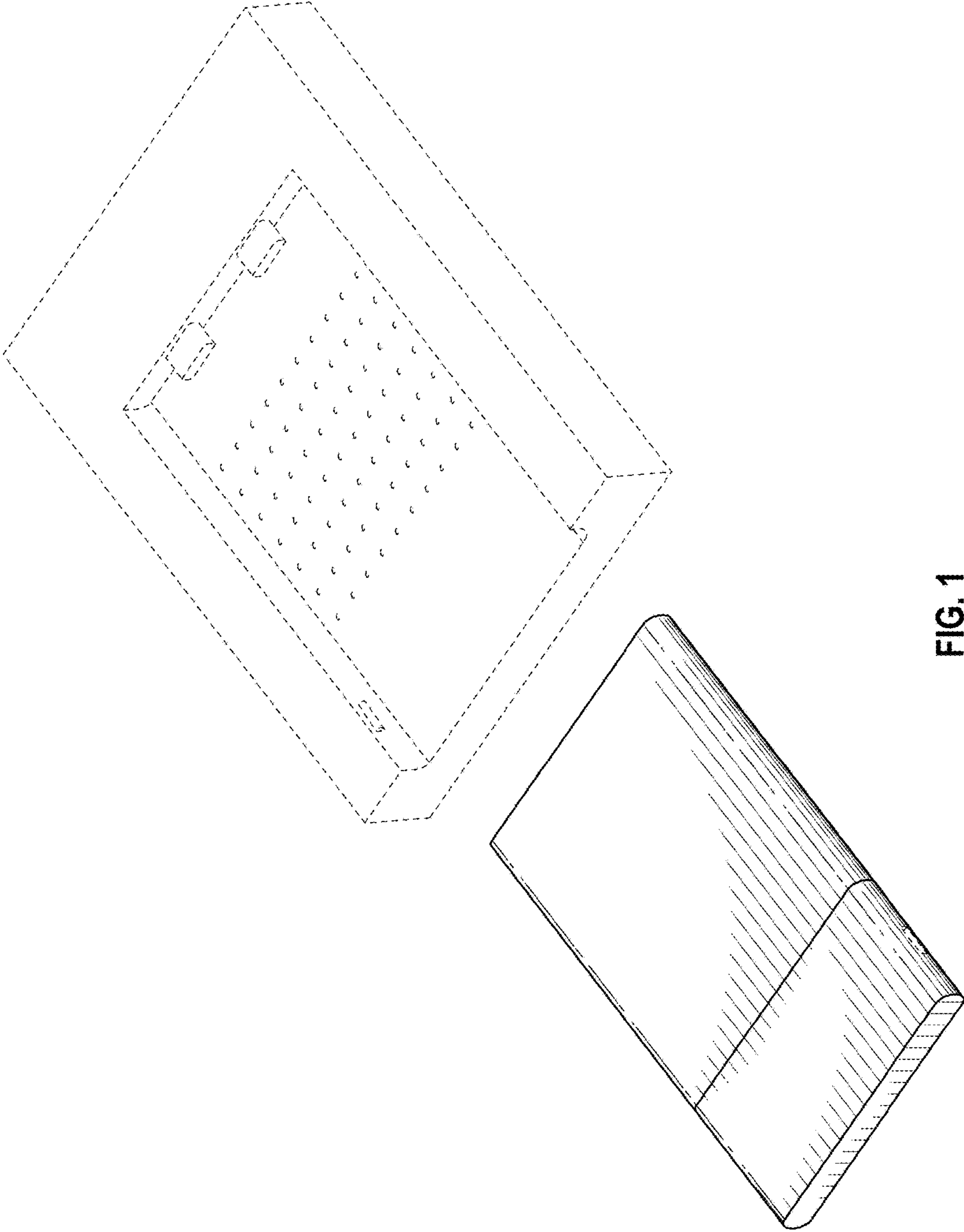


FIG. 1

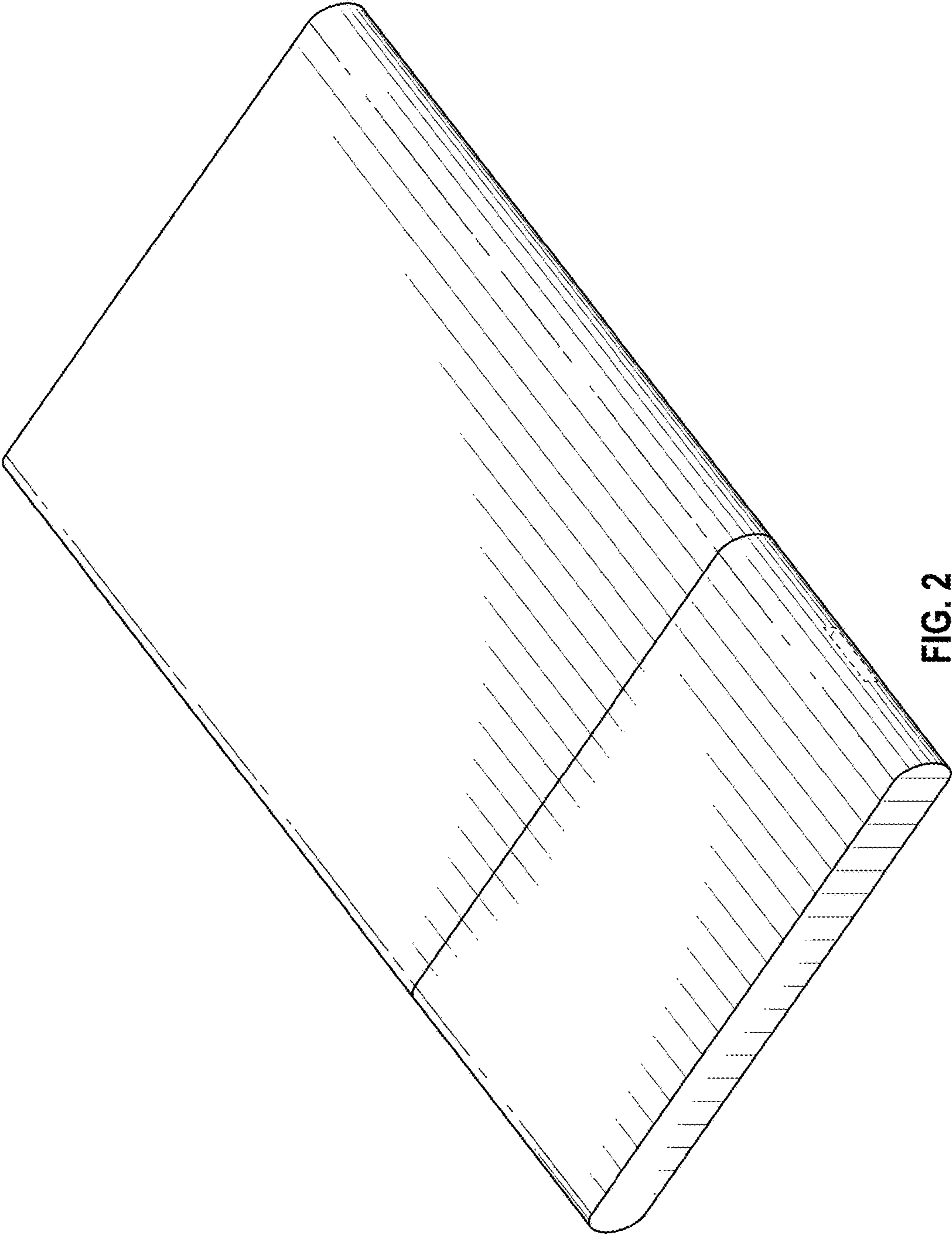


FIG. 2

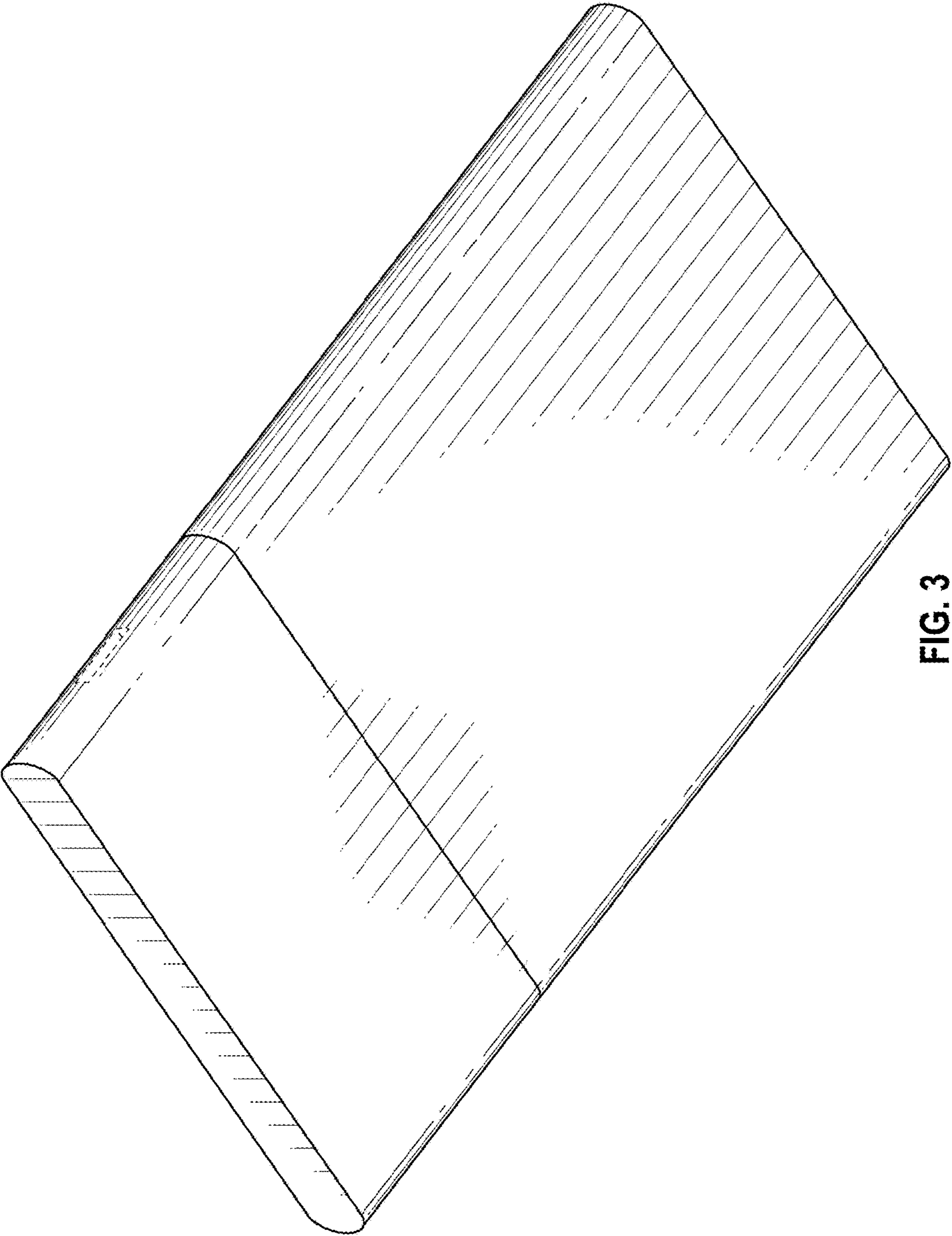


FIG. 3

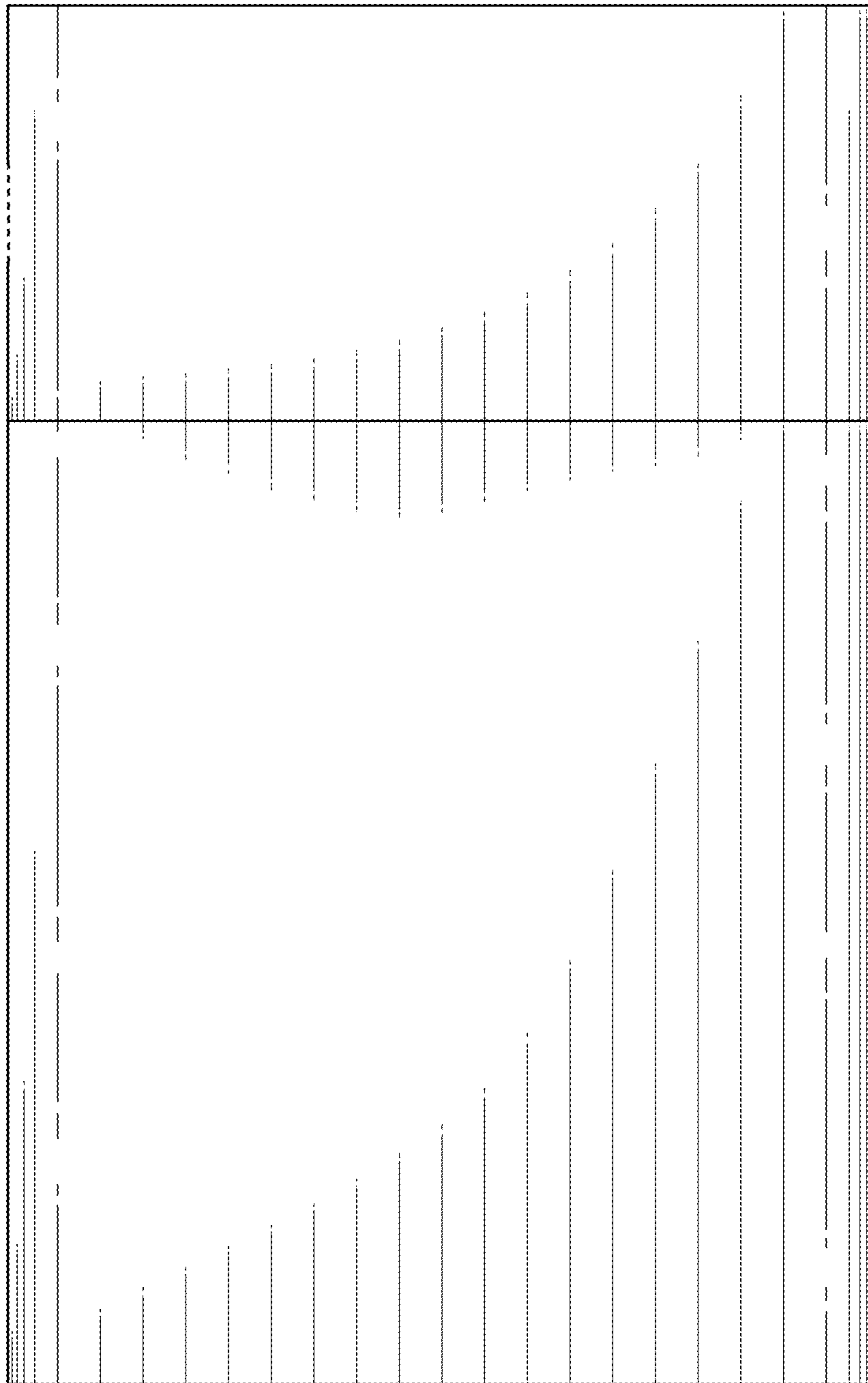


FIG. 4

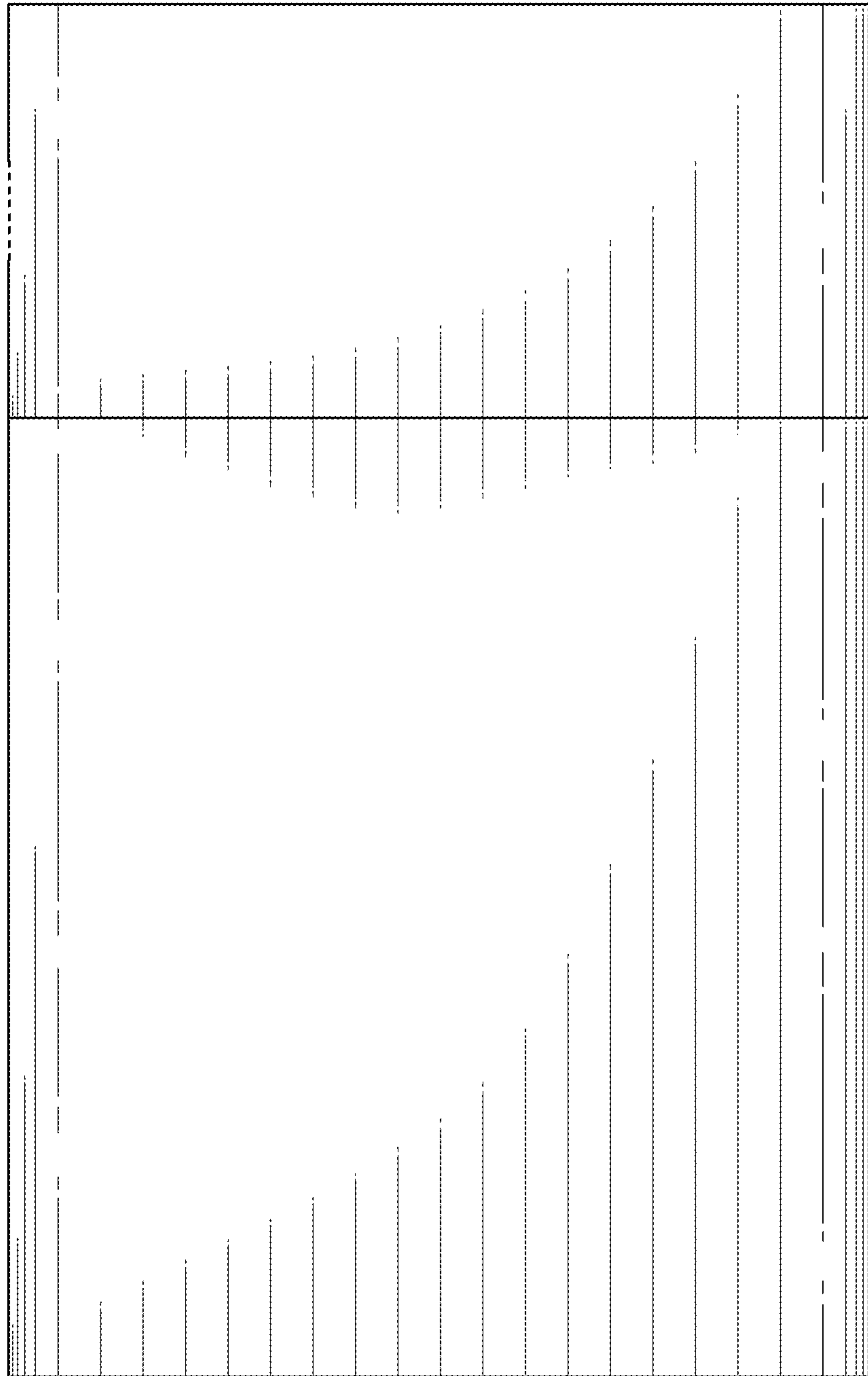


FIG. 5

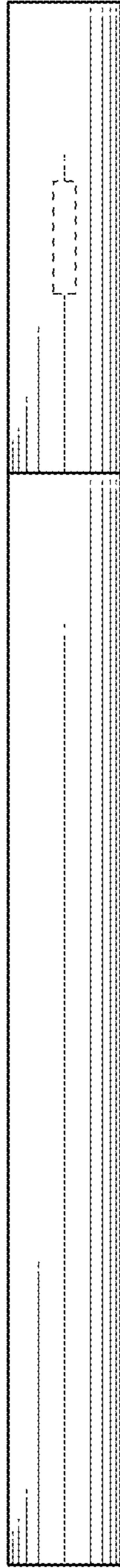


FIG. 6

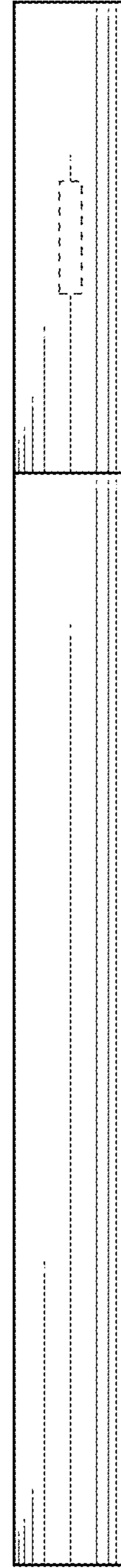


FIG. 7

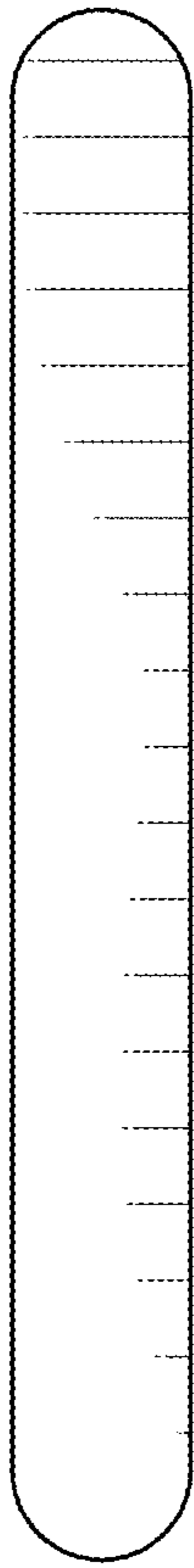


FIG. 8

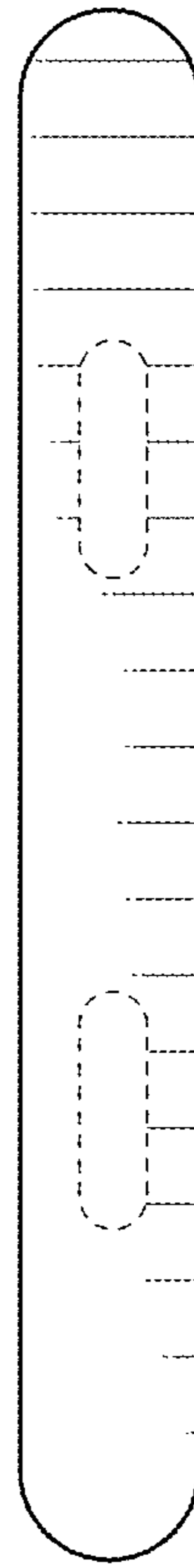


FIG. 9

UNITED STATES PATENT AND TRADEMARK OFFICE
CERTIFICATE OF CORRECTION

PATENT NO. : D815,099 S
APPLICATION NO. : 29/569414
DATED : April 10, 2018
INVENTOR(S) : Magi et al.

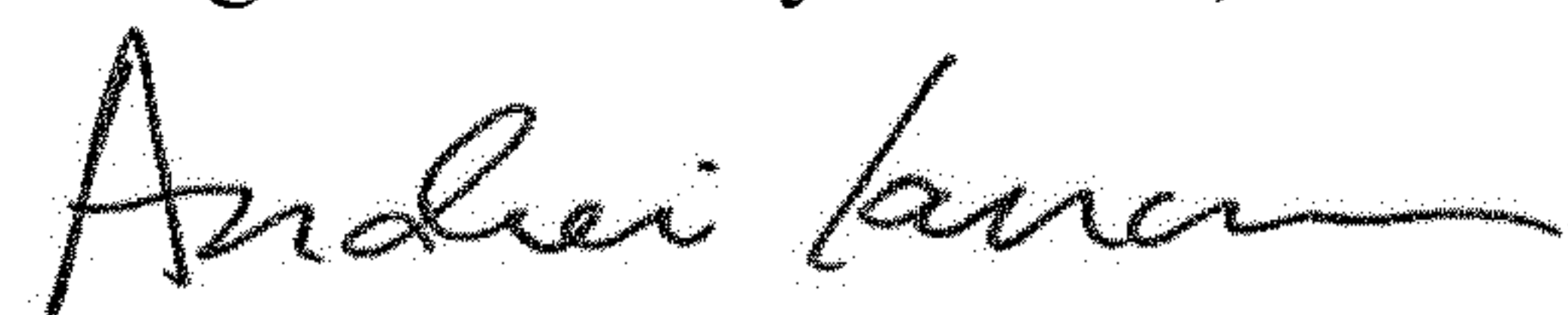
Page 1 of 1

It is certified that error appears in the above-identified patent and that said Letters Patent is hereby corrected as shown below:

On the Title Page

In Column 2, under "Description", Line 2, delete "desigp" and insert --design-- therefor

Signed and Sealed this
Eighteenth Day of June, 2019



Andrei Iancu
Director of the United States Patent and Trademark Office