



US00D815098S

(12) **United States Design Patent**
Teramoto et al.

(10) **Patent No.:** **US D815,098 S**
(45) **Date of Patent:** **** Apr. 10, 2018**

(54) **PORTABLE COMPUTER CONNECTION
TERMINAL WITH KEYBOARD**

(71) Applicant: **Panasonic Intellectual Property
Management Co., Ltd., Osaka (JP)**

(72) Inventors: **Ryusuke Teramoto, Osaka (JP); Go
Osaki, Tokyo (JP)**

(73) Assignee: **Panasonic Intellectual Property
Management Co., Ltd., Osaka (JP)**

(**) Term: **15 Years**

(21) Appl. No.: **29/597,363**

(22) Filed: **Mar. 16, 2017**

(30) **Foreign Application Priority Data**

Feb. 22, 2017 (JP) 2017-003439

(51) **LOC (11) Cl.** **14-02**

(52) **U.S. Cl.**
USPC **D14/434; D14/455**

(58) **Field of Classification Search**
USPC D14/434, 440, 447, 251-253, 432, 451,
D14/452, 454, 140, 142, 149, 217, 240,
D14/299, 496, 356, 358, 357, 433, 359,
D14/361, 363, 385, 392, 455; D13/103,
D13/107, 108, 118, 119, 184
CPC G06F 1/1632; G06F 1/1635; G06F 1/1637;
G06F 1/1662; G06F 1/1669; G06F
1/1624; F16M 11/00; F16M 11/04; F16M
11/041

See application file for complete search history.

(56) **References Cited**

U.S. PATENT DOCUMENTS

D356,782 S * 3/1995 Leman D14/434
D366,468 S * 1/1996 Ryan D14/434

D394,247 S * 5/1998 Kondo D14/434
D673,957 S * 1/2013 Lin D14/434
D680,538 S * 4/2013 Xiao D14/392
D689,869 S * 9/2013 Bae D14/434
D721,375 S * 1/2015 Choi D14/434
D728,583 S * 5/2015 Choi D14/455
D729,816 S * 5/2015 Park D14/455
D730,363 S * 5/2015 Park D14/455
D733,139 S * 6/2015 Lee D14/392
D734,757 S * 7/2015 Myung D14/392
D751,077 S * 3/2016 Park D14/392
D752,592 S * 3/2016 Ozolins D14/434
D775,136 S * 12/2016 Mi D14/455

(Continued)

Primary Examiner — Susan Bennett Hattan

Assistant Examiner — Marie D. Fast Horse

(74) *Attorney, Agent, or Firm* — Panasonic IP
Management; Kerry S. Culpepper

(57) **CLAIM**

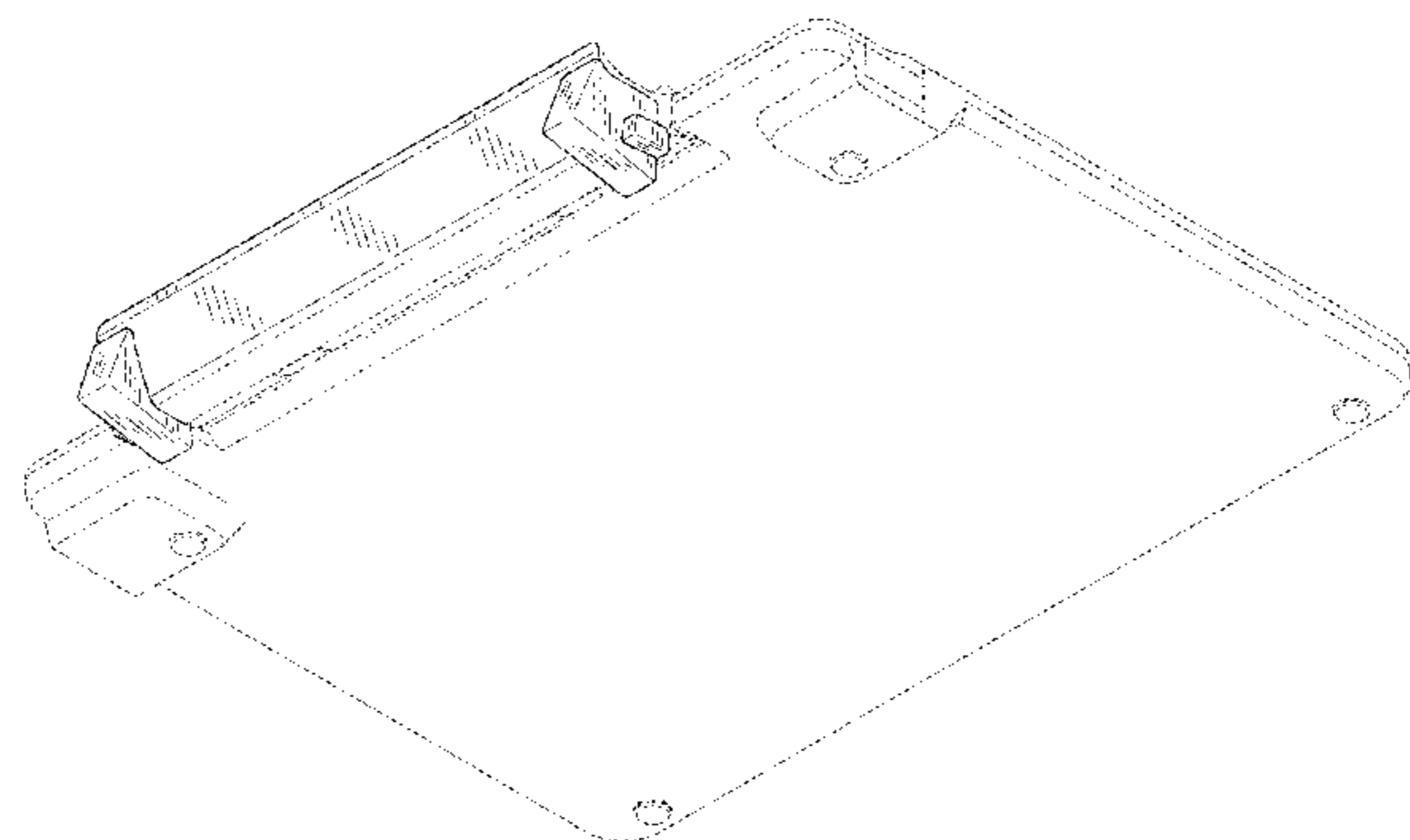
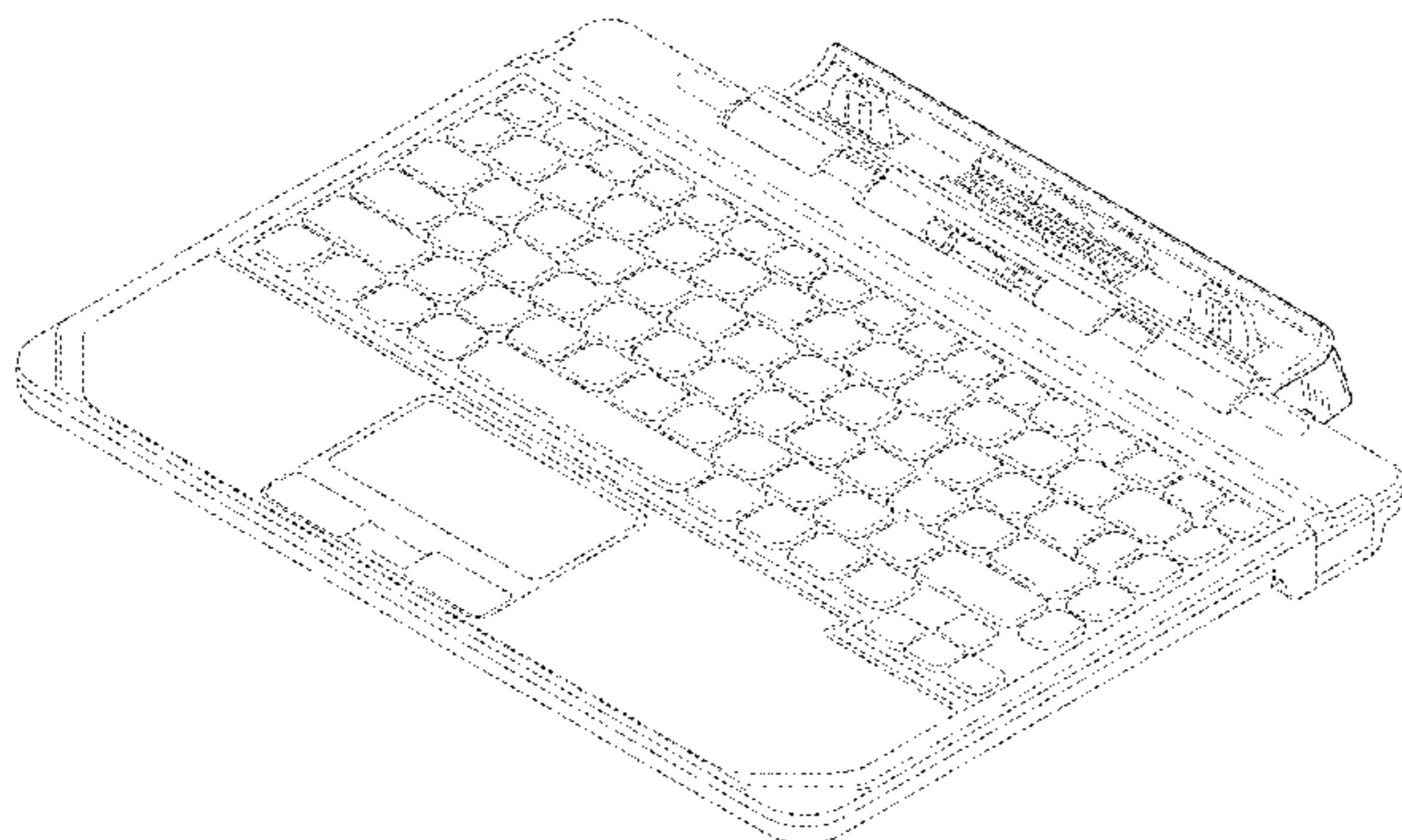
We claim the ornamental design for a portable computer connection terminal with keyboard, as shown and described.

DESCRIPTION

FIG. 1 is a front perspective view of a portable computer connection terminal with keyboard of the present invention; FIG. 2 is a rear perspective view thereof; FIG. 3 is a front view thereof; FIG. 4 is a rear view thereof; FIG. 5 is a first side view thereof; FIG. 6 is a second side view thereof; FIG. 7 is a top view thereof; FIG. 8 is a bottom view thereof; and, FIG. 9 is a cross-sectional view taken along the line 9-9 in FIG. 3.

The broken lines in the drawings depict portions of the portable computer connection terminal with keyboard that form no part of the claimed design. The unshaded surfaces shown between the solid lines and the broken dash-dot lines form no part of the claim.

1 Claim, 9 Drawing Sheets



(56)

References Cited

U.S. PATENT DOCUMENTS

D785,635 S *	5/2017	Watanabe	D14/392
2014/0002974 A1 *	1/2014	Kuo	G06F 1/1632
				361/679.01
2016/0149597 A1 *	5/2016	Takasu	G06F 1/1669
				455/127.2

* cited by examiner

FIG. 1

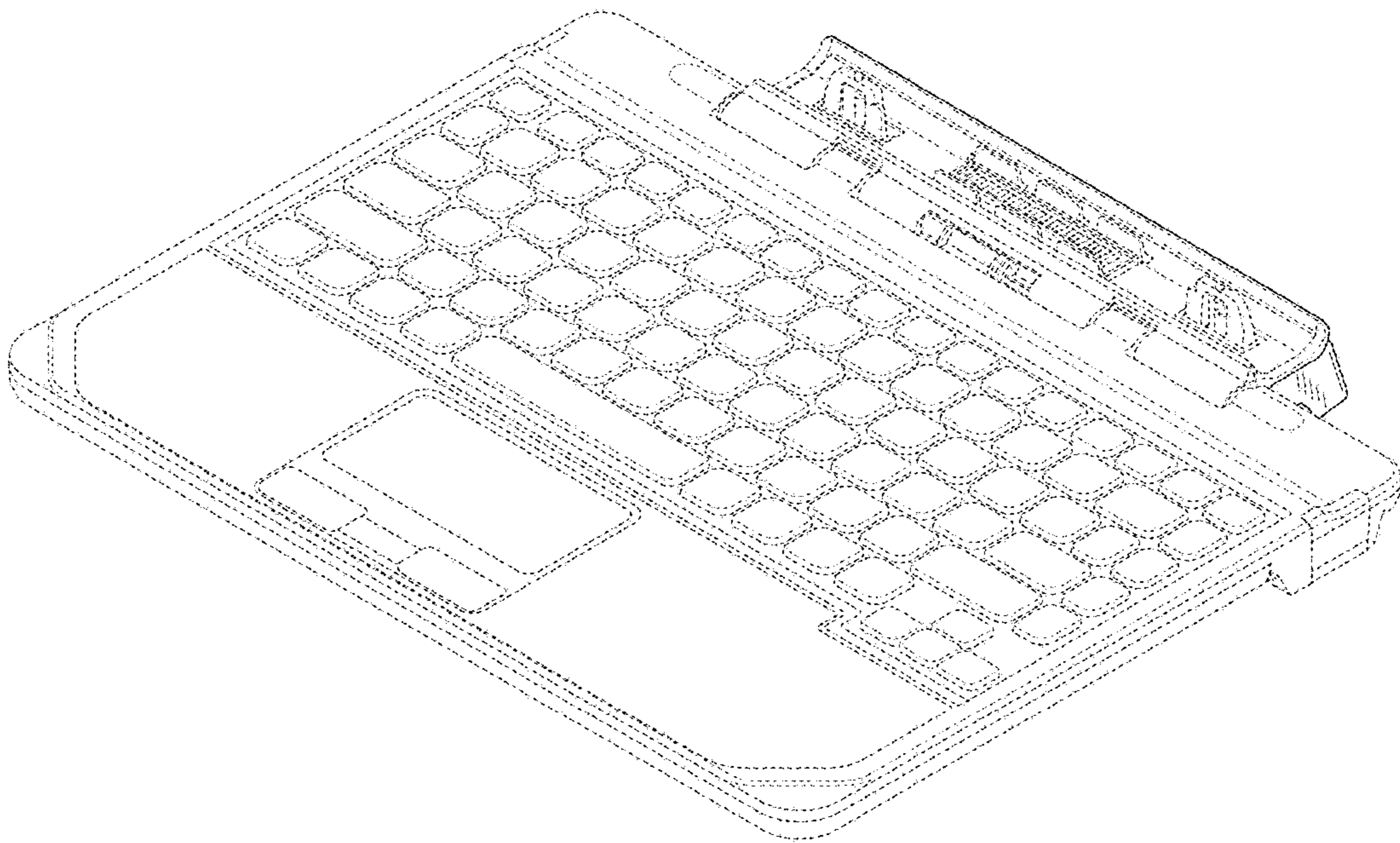


FIG. 2

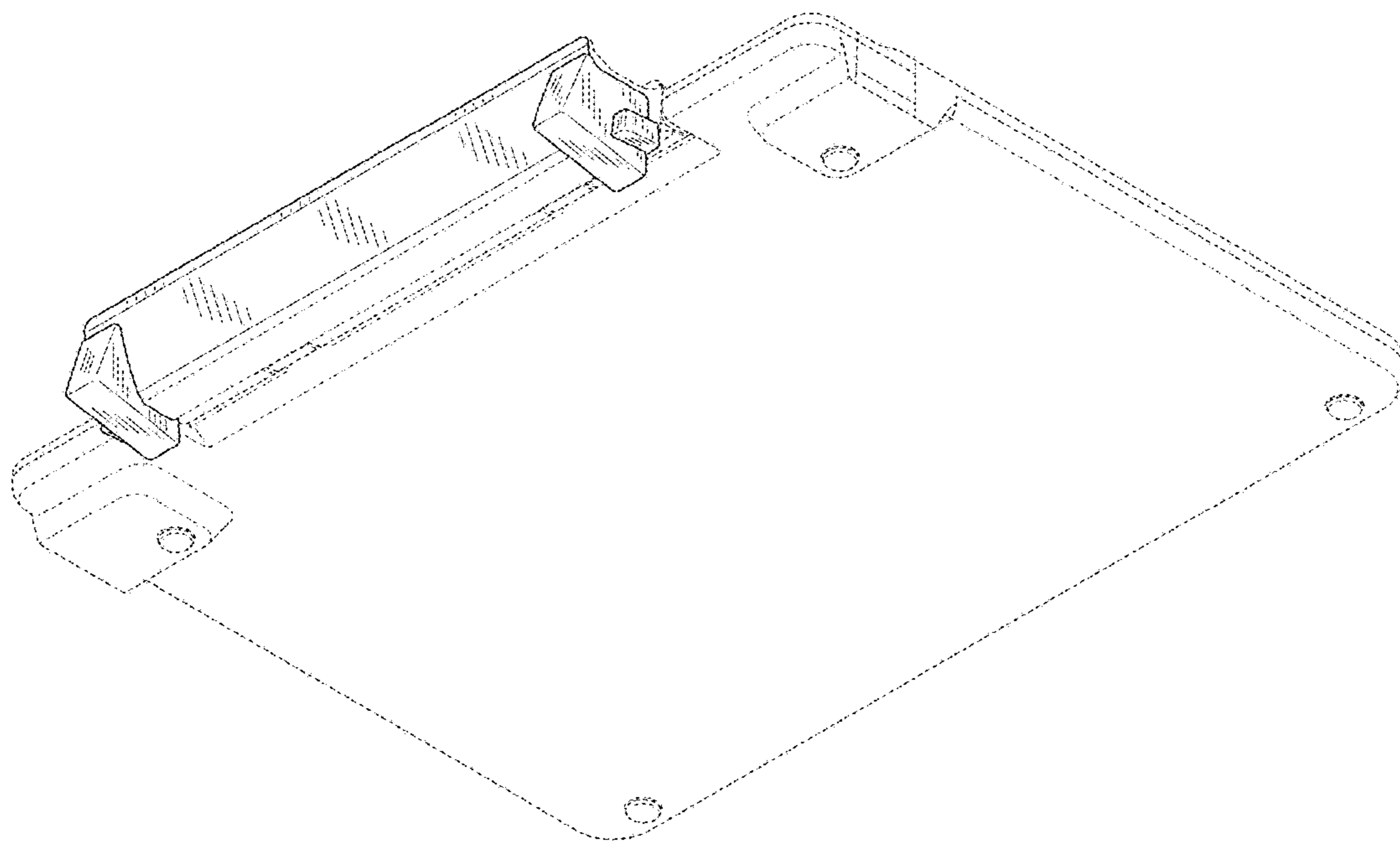


FIG. 3

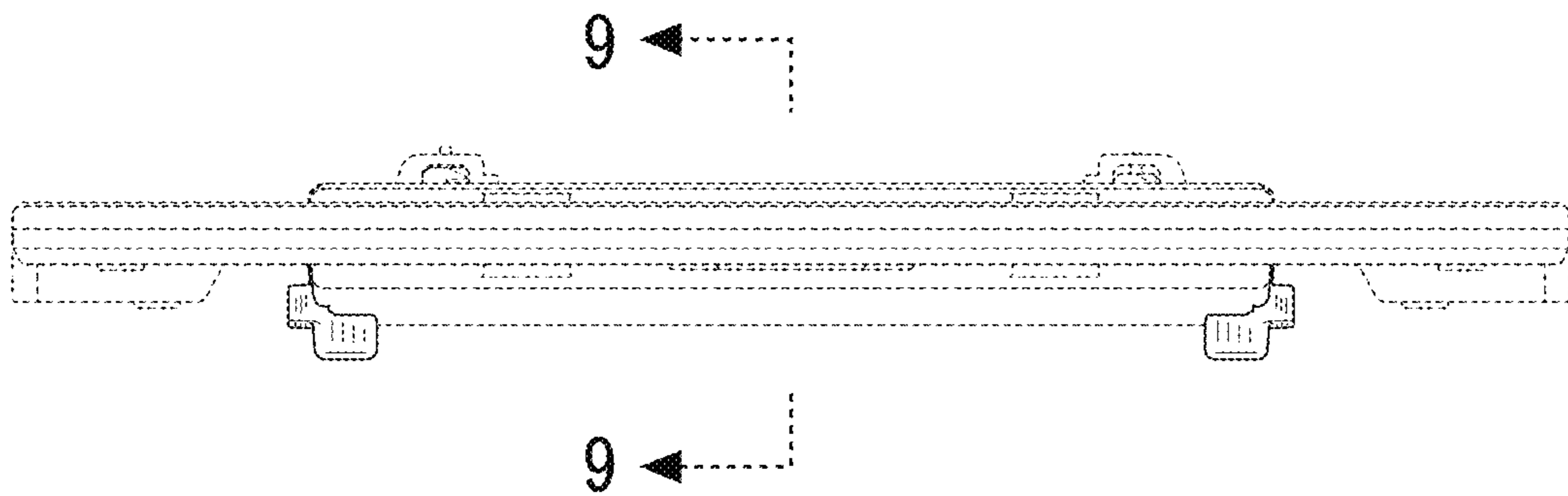


FIG. 4

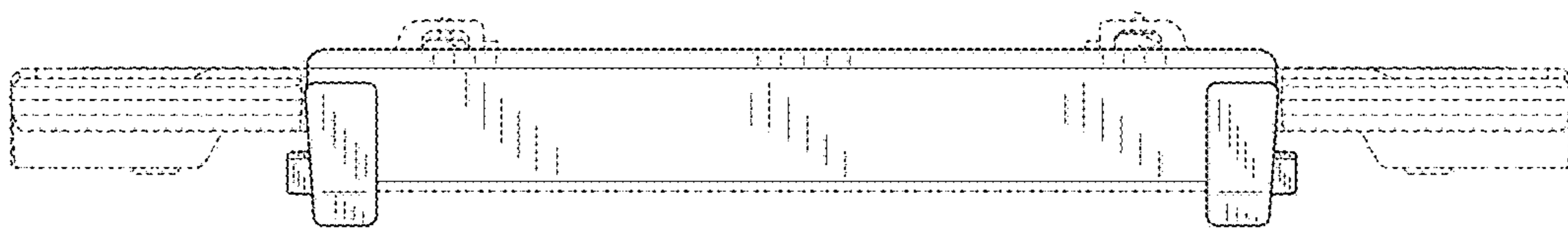


FIG. 5

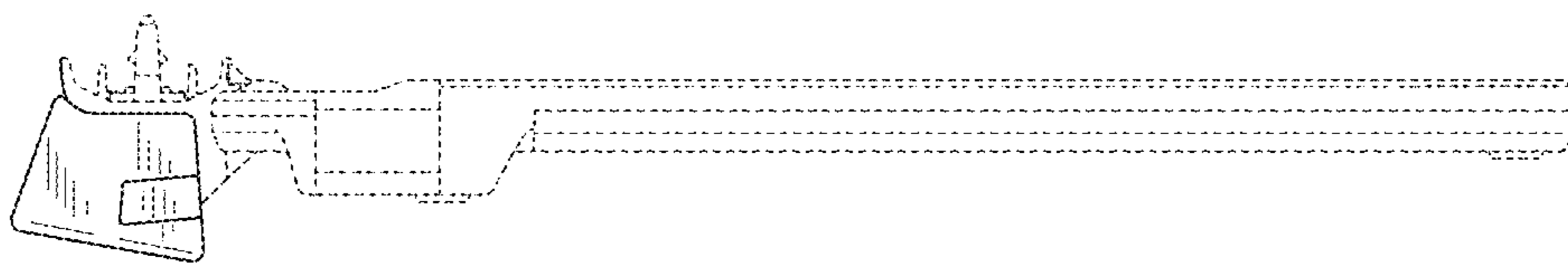


FIG. 6

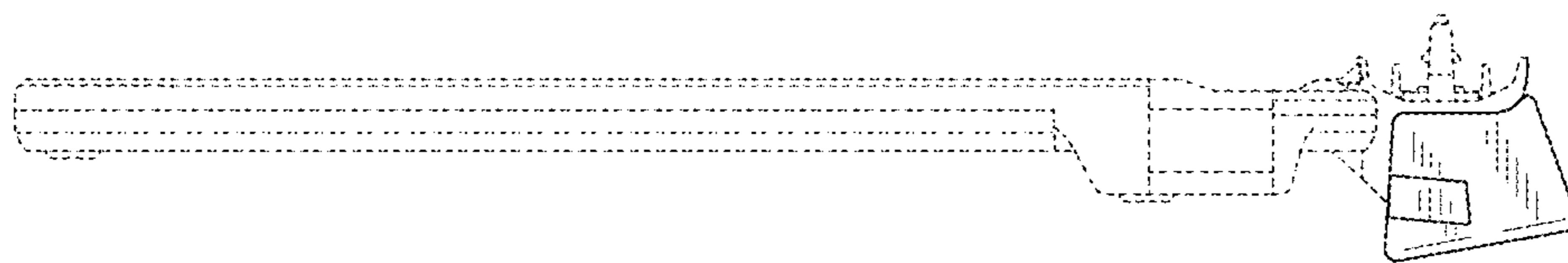


FIG. 7

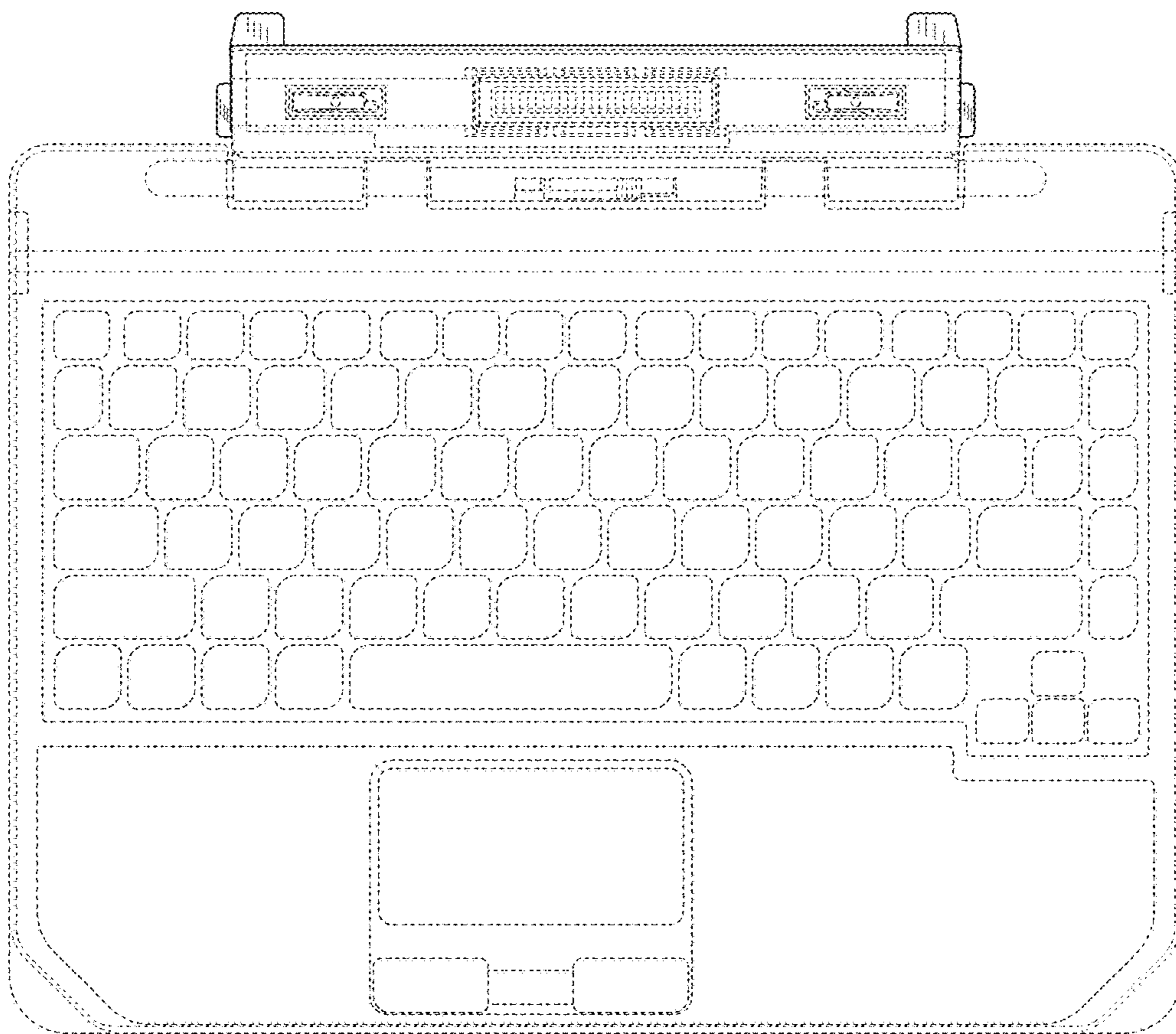


FIG. 8

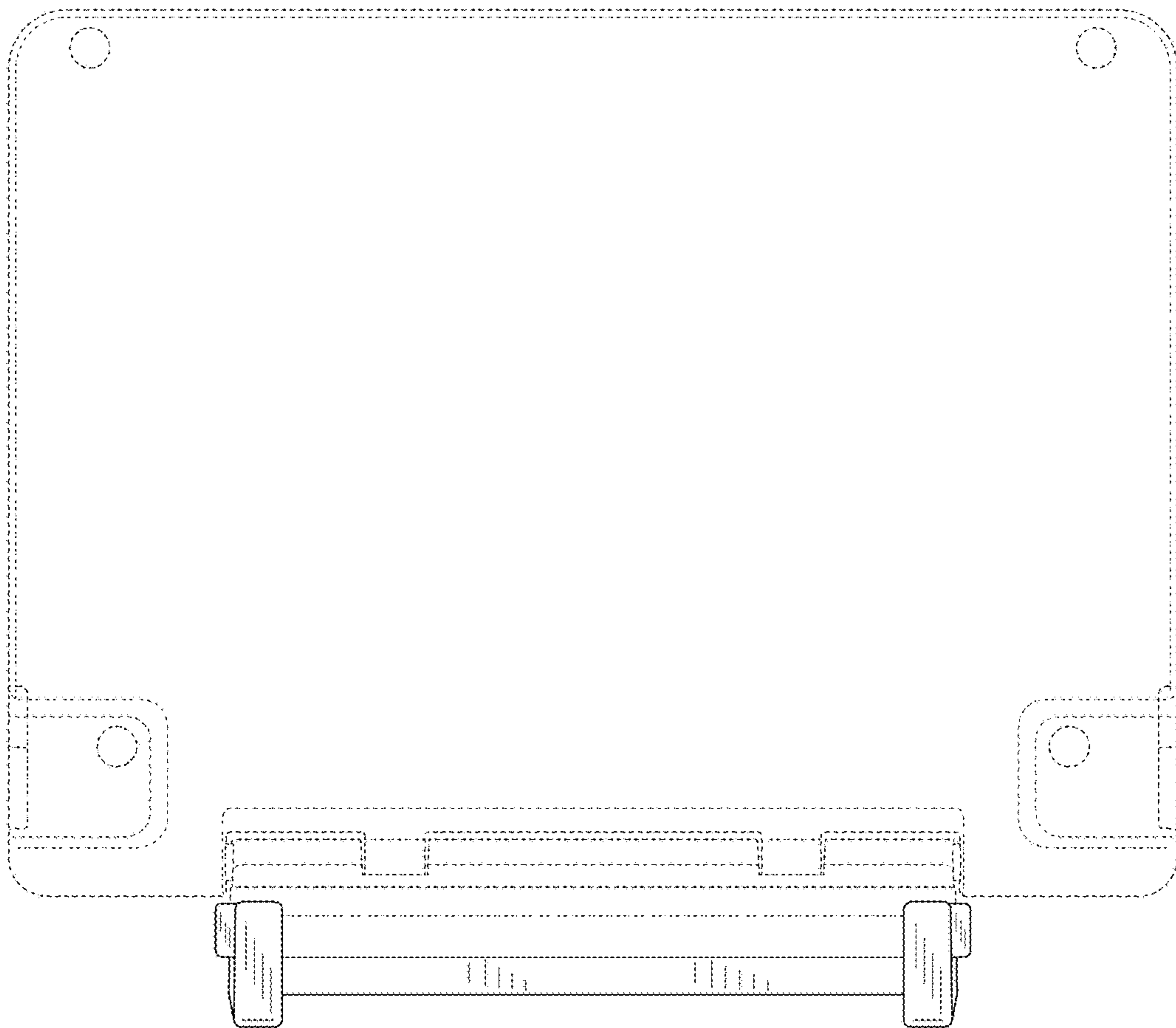


FIG. 9

