



US00D815097S

(12) **United States Design Patent**  
**Magi**

(10) **Patent No.:** **US D815,097 S**

(45) **Date of Patent:** **\*\* Apr. 10, 2018**

(54) **COMPUTING DEVICE DOCK**

(71) Applicant: **Intel Corporation**, Santa Clara, CA  
(US)

(72) Inventor: **Aleksander Magi**, Aloha, OR (US)

(73) Assignee: **Intel Corporation**, Santa Clara, CA  
(US)

(\*\*) Term: **15 Years**

(21) Appl. No.: **29/505,653**

(22) Filed: **Dec. 26, 2015**

(51) **LOC (11) Cl.** ..... **14-02**

(52) **U.S. Cl.**  
USPC ..... **D14/434**

(58) **Field of Classification Search**  
USPC ..... D13/103, 107, 108, 118, 119, 184;  
D3/201, 215, 218  
CPC .... G06F 1/1616; G06F 1/1626; G06F 1/1632;  
H01M 10/44; F16M 11/10; H02J 7/0042;  
H02J 7/00; H02J 7/0027; H02J 7/0044;  
H02J 7/0045; H01R 31/065  
See application file for complete search history.

(56) **References Cited**

**U.S. PATENT DOCUMENTS**

|                |         |                       |                       |
|----------------|---------|-----------------------|-----------------------|
| D206,590 S *   | 1/1967  | Haggstrom et al. .... | D13/108               |
| D222,357 S *   | 10/1971 | Locher .....          | D14/496               |
| D254,075 S *   | 1/1980  | Bartholomew .....     | D16/225               |
| D331,749 S *   | 12/1992 | Mizusugi .....        | D14/434               |
| 6,711,014 B2 * | 3/2004  | Anzai .....           | G06F 1/18<br>165/80.3 |
| D488,440 S *   | 4/2004  | Senda .....           | D13/108               |
| D517,347 S *   | 3/2006  | Hamilton .....        | D16/242               |
| D615,515 S *   | 5/2010  | Hwang .....           | D14/130               |
| D626,551 S *   | 11/2010 | Julien .....          | D14/341               |
| D626,558 S *   | 11/2010 | Julien .....          | D13/108               |
| D637,601 S *   | 5/2011  | Symons .....          | D14/447               |
| D654,019 S *   | 2/2012  | Ikegame .....         | D13/108               |

|              |         |                  |         |
|--------------|---------|------------------|---------|
| D655,293 S * | 3/2012  | Gioscia .....    | D14/434 |
| D671,542 S * | 11/2012 | Siekmann .....   | D14/422 |
| D673,571 S * | 1/2013  | Akana .....      | D14/447 |
| D673,952 S * | 1/2013  | Toda .....       | D14/383 |
| D674,391 S * | 1/2013  | Chatterjee ..... | D14/434 |

(Continued)

*Primary Examiner* — Susan Bennett Hattan

*Assistant Examiner* — Marie D. Fast Horse

(74) *Attorney, Agent, or Firm* — International IP Law  
Group, P.L.L.C.

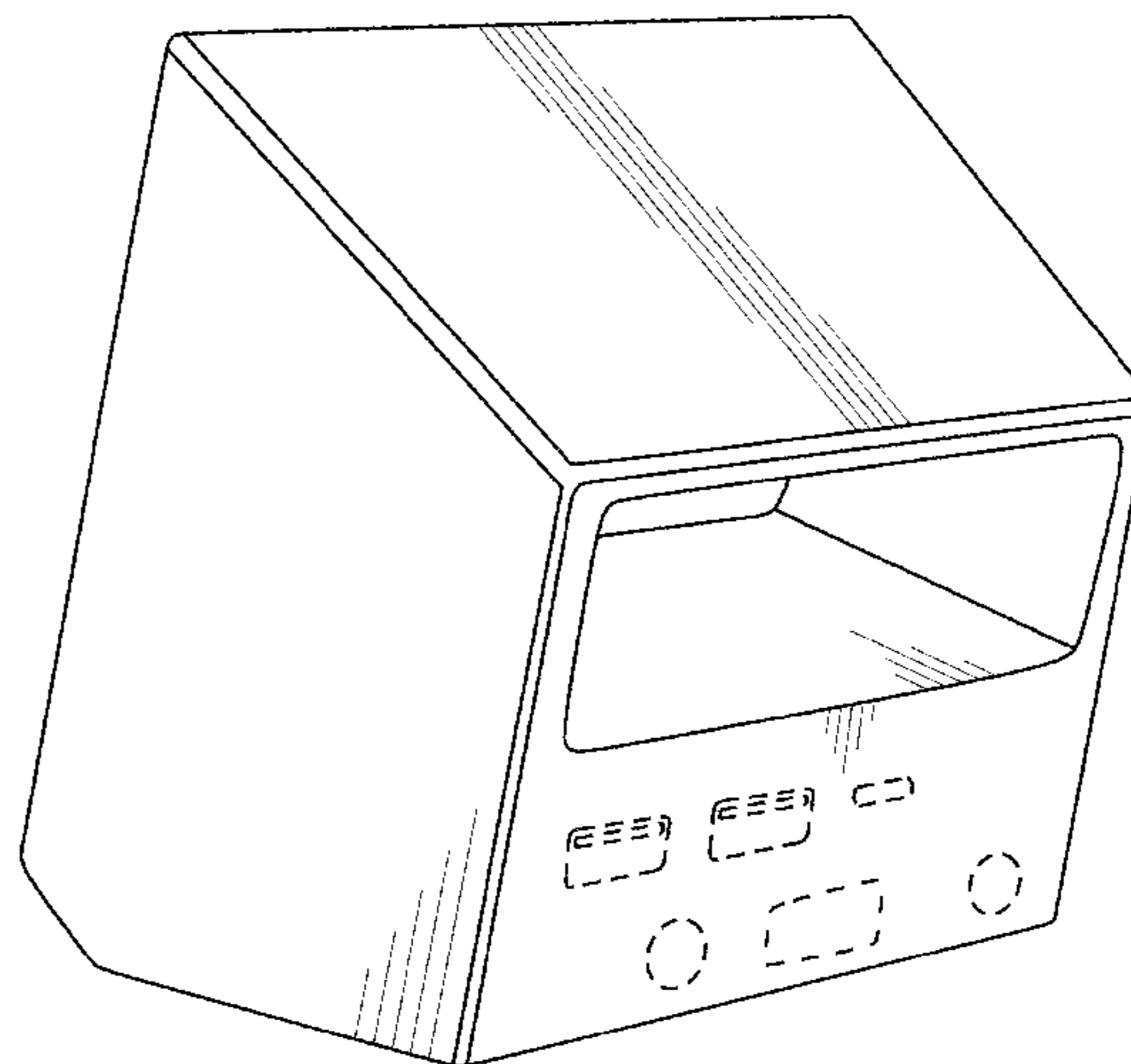
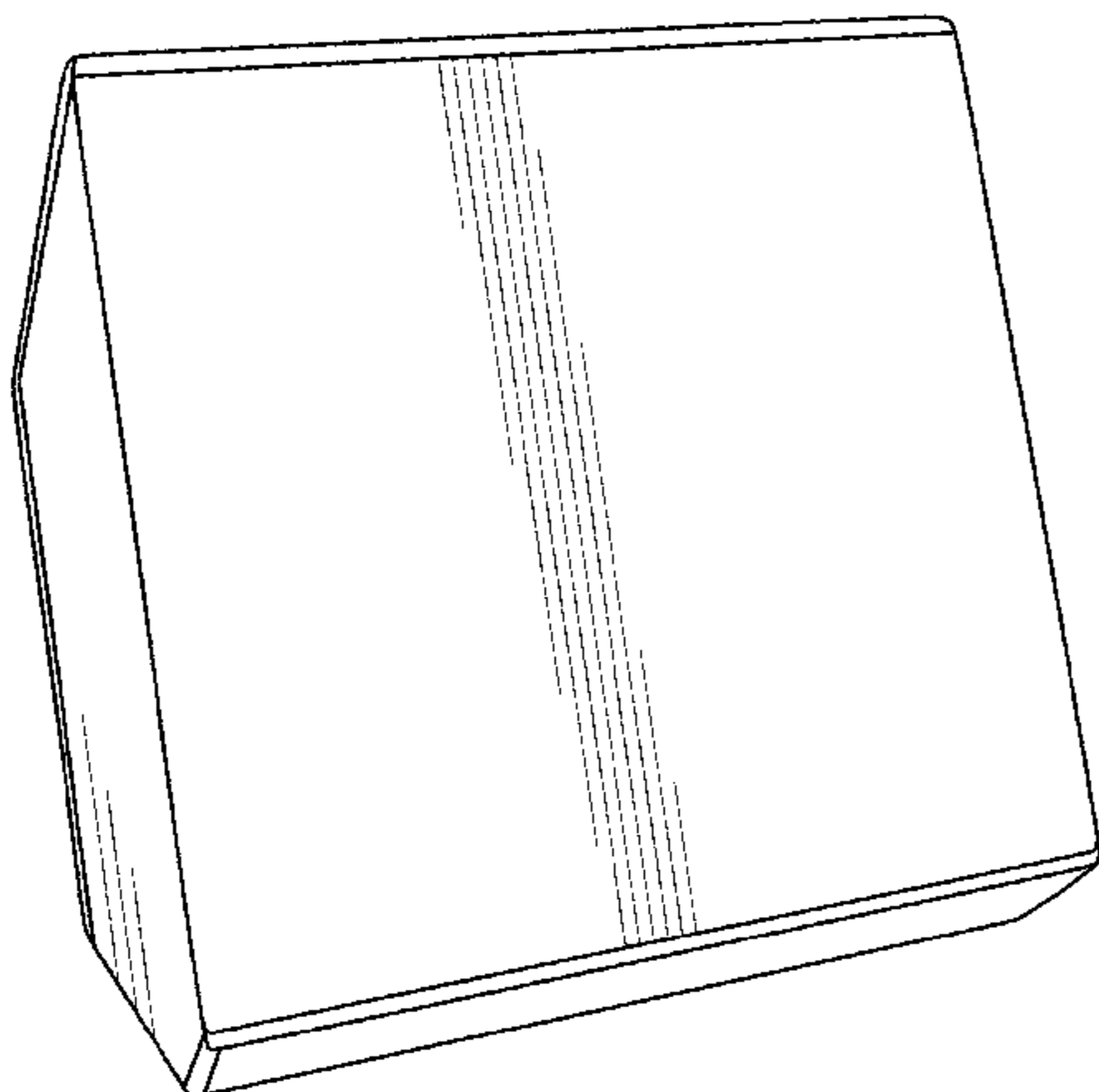
(57) **CLAIM**

What is claimed is the ornamental design for a computing device dock, as shown and described.

**DESCRIPTION**

FIG. 1 is a front view of a computing device dock;  
 FIG. 2 is a back view of the computing device dock from FIG. 1;  
 FIG. 3 is a top view of the computing device dock from FIG. 1;  
 FIG. 4 is a bottom view of the computing device dock from FIG. 1;  
 FIG. 5 is a right view of the computing device dock from FIG. 1;  
 FIG. 6 is a left view of the computing device dock from FIG. 1; and  
 FIG. 7 is a top left perspective view of the computing device dock from FIG. 1.  
 FIG. 8 is a rear perspective view of a computing device dock; and,  
 FIG. 9 is another front left perspective view thereof, shown in a use coupled with a computing device.  
 The broken lines in FIGS. 2, 4, and 8 depict portions of the computing device dock that form no part of the claimed design. The broken lines in FIG. 9 depict environment, these broken lines form no part of the claimed design. The line shading is meant to show contour of represented surfaces and not surface ornamentation.

**1 Claim, 9 Drawing Sheets**



(56)

## References Cited

## U.S. PATENT DOCUMENTS

D674,392 S \* 1/2013 Cheng ..... D14/434  
D677,245 S \* 3/2013 Joseph ..... D14/204  
D680,491 S \* 4/2013 Paschke ..... D13/108  
D685,323 S \* 7/2013 Szymanski ..... D13/108  
D688,228 S \* 8/2013 Ryu ..... D14/209.1  
D688,229 S \* 8/2013 Ryu ..... D14/209.1  
D690,137 S \* 9/2013 Kikkert ..... D6/672  
D690,138 S \* 9/2013 Kikkert ..... D6/672  
D693,815 S \* 11/2013 Son ..... D14/434  
D715,284 S \* 10/2014 Iwamoto ..... D12/415  
D727,329 S \* 4/2015 Johnson ..... D14/434  
9,041,347 B2 \* 5/2015 Paschke ..... F16M 11/041  
320/108  
D736,211 S \* 8/2015 Kirkpatrick ..... H05K 7/20136  
D14/434  
D752,030 S \* 3/2016 Sharif ..... D14/253  
D754,600 S \* 4/2016 Lin ..... D13/110  
D756,913 S \* 5/2016 Esses ..... D13/107  
D762,648 S \* 8/2016 Akana ..... D14/434  
D762,649 S \* 8/2016 Akana ..... D14/434  
D769,186 S \* 10/2016 Yang ..... D13/108  
D769,187 S \* 10/2016 Park ..... D13/108  
D771,139 S \* 11/2016 Poulheim ..... D14/203.3  
D771,140 S \* 11/2016 Poulheim ..... D14/203.3  
D774,488 S \* 12/2016 Magi ..... D14/204  
2012/0194132 A1 \* 8/2012 Ikegame ..... H02J 7/0045  
320/113  
2013/0320177 A1 \* 12/2013 Chen ..... F16M 11/10  
248/371

\* cited by examiner

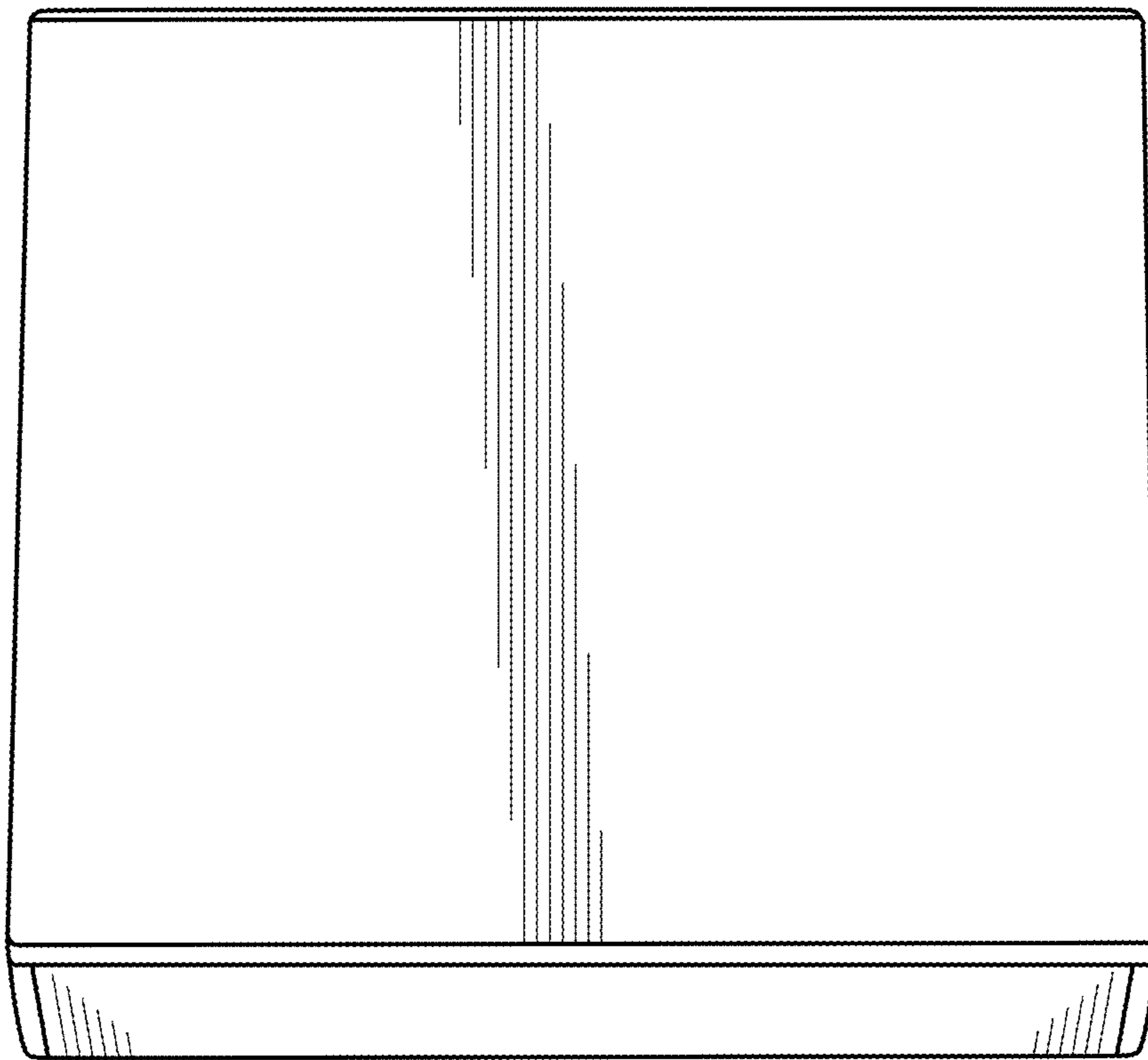


FIG. 1

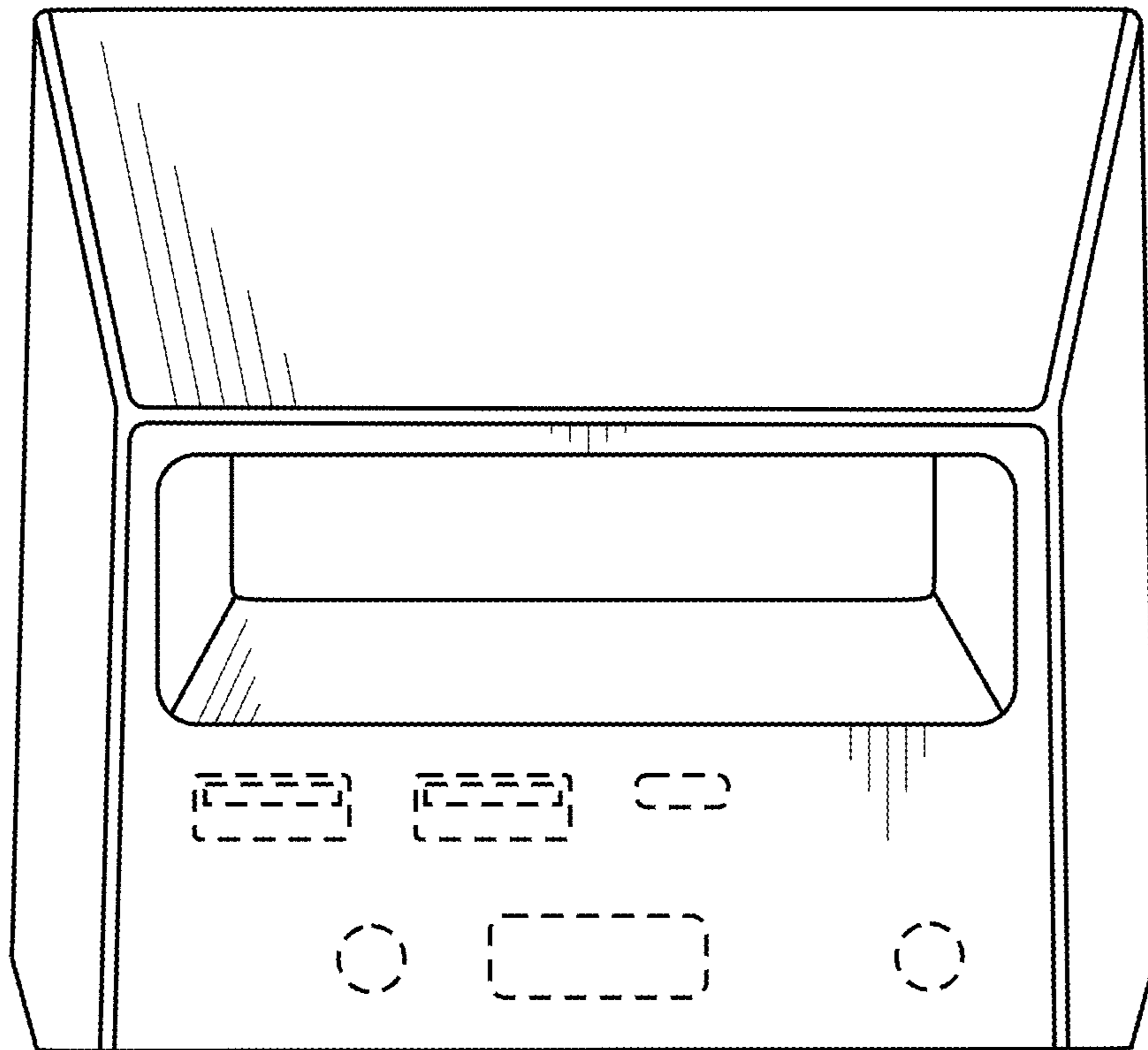


FIG. 2

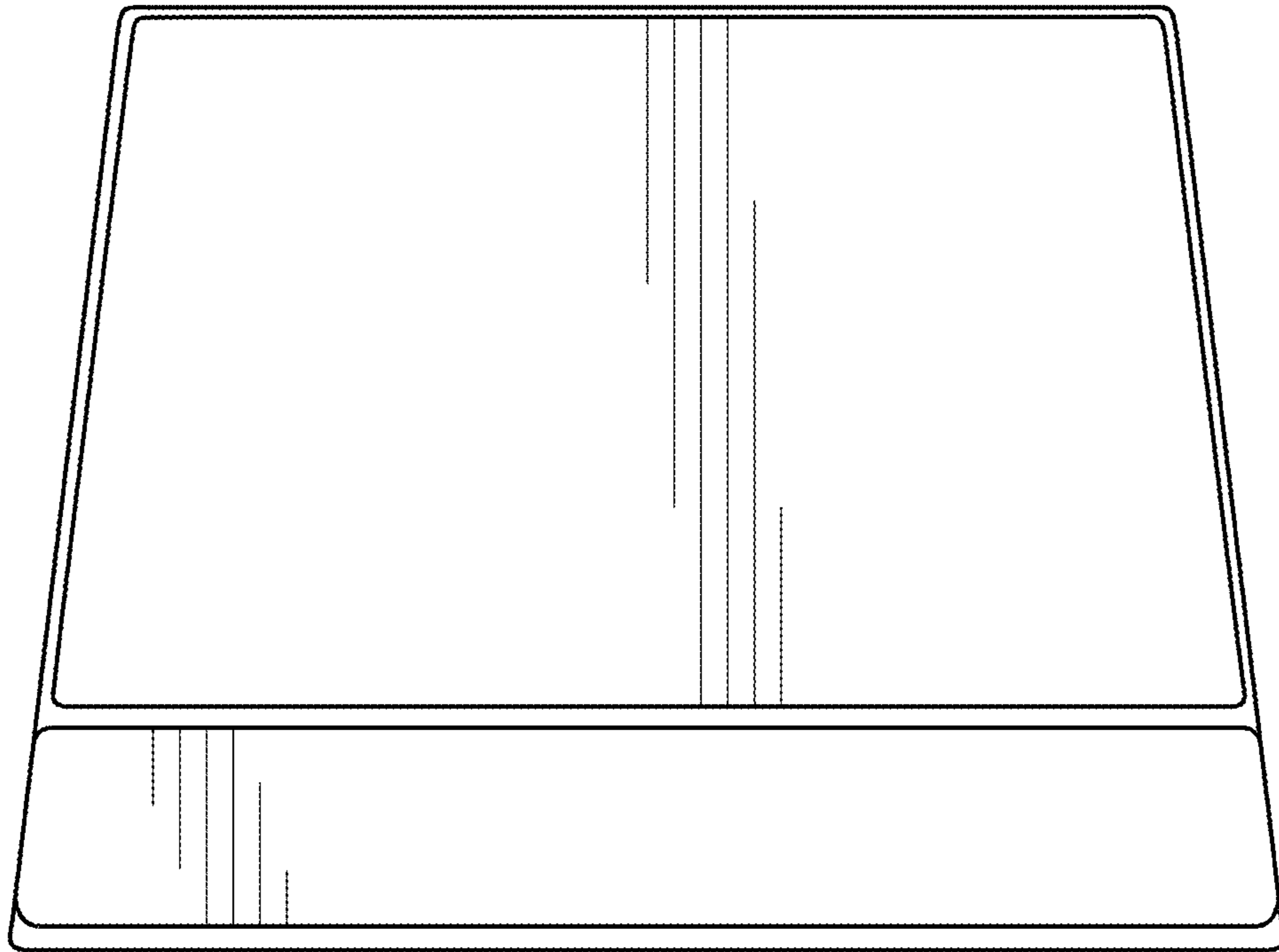


FIG. 3

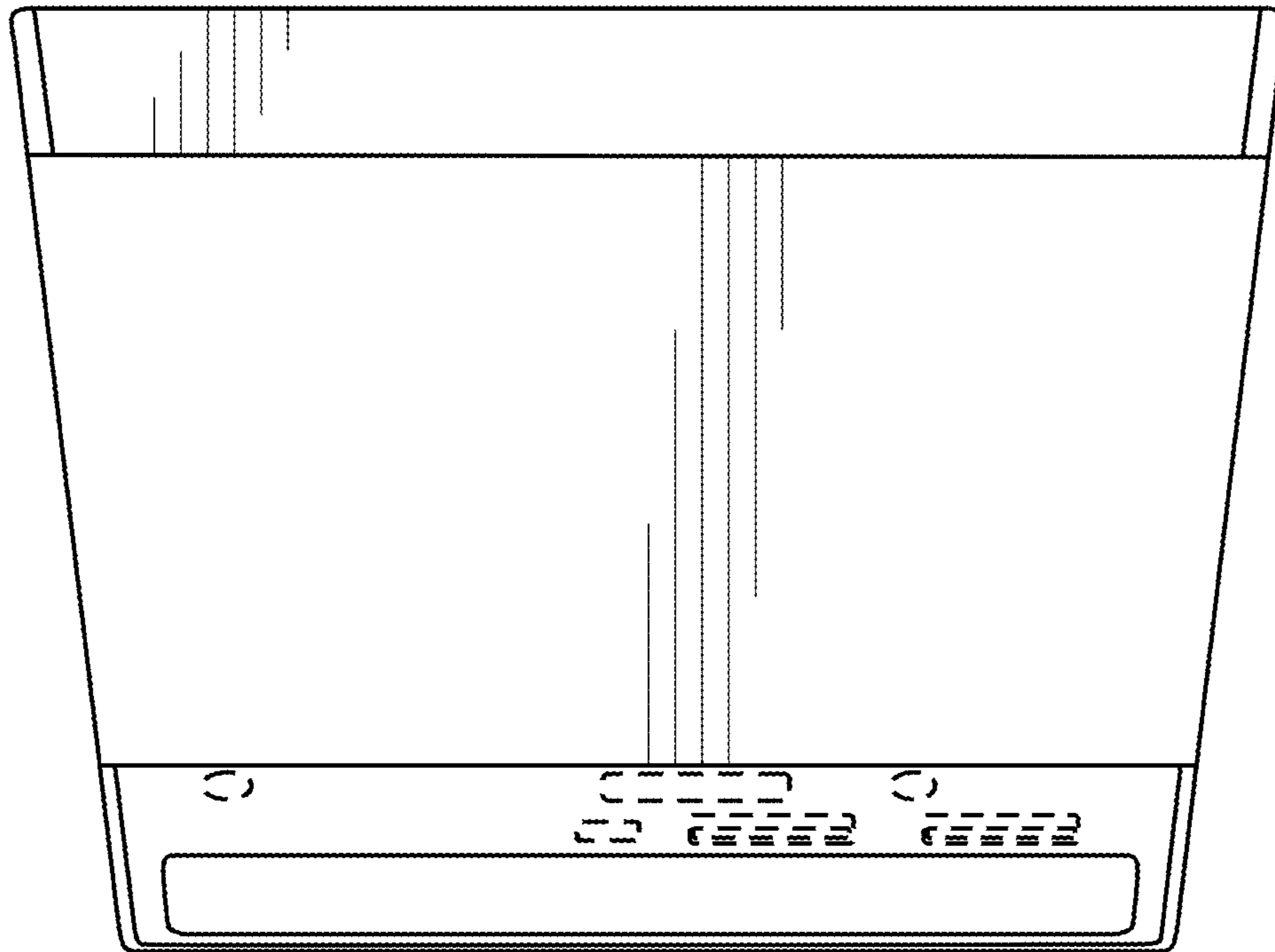


FIG. 4

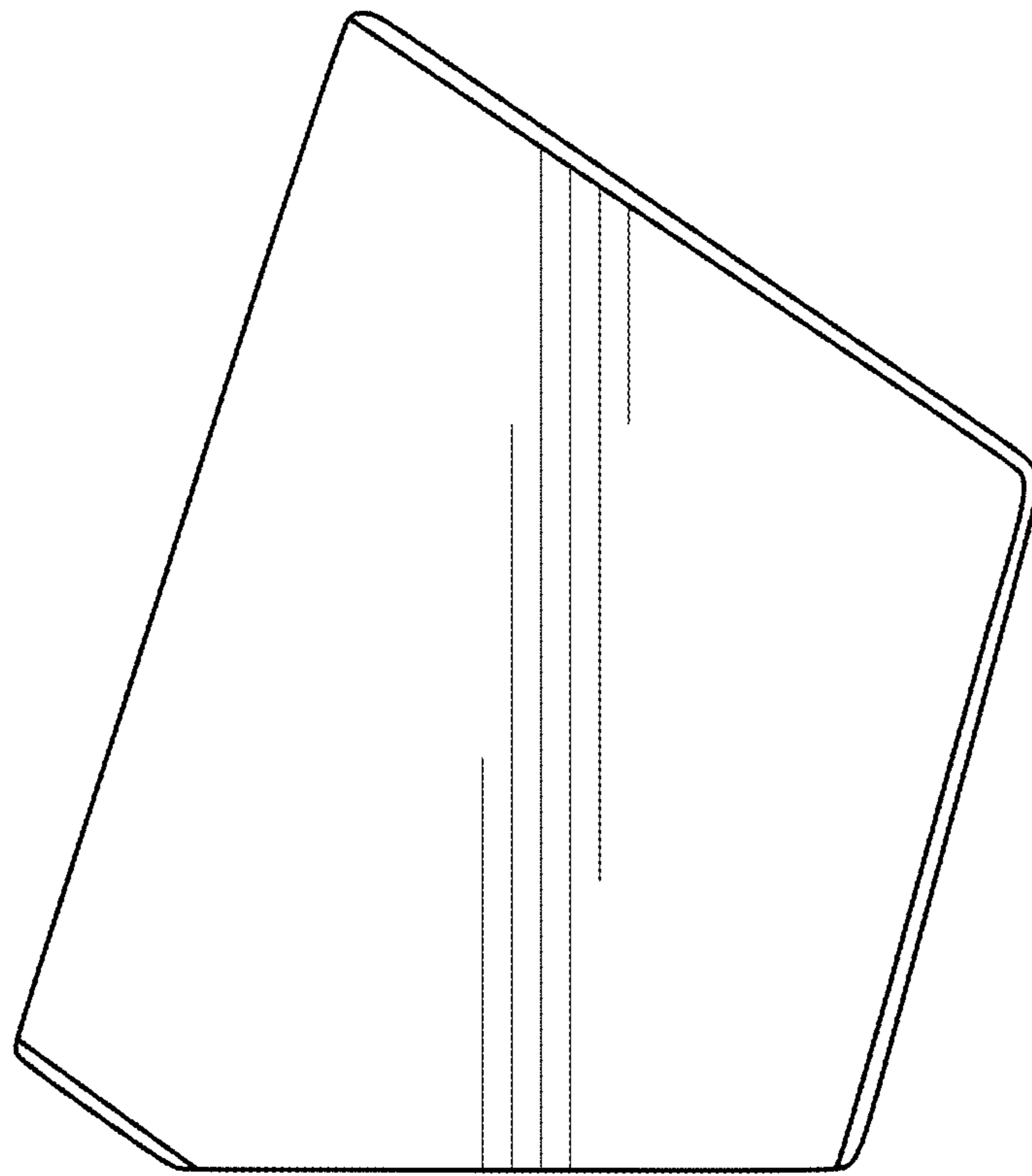


FIG. 5

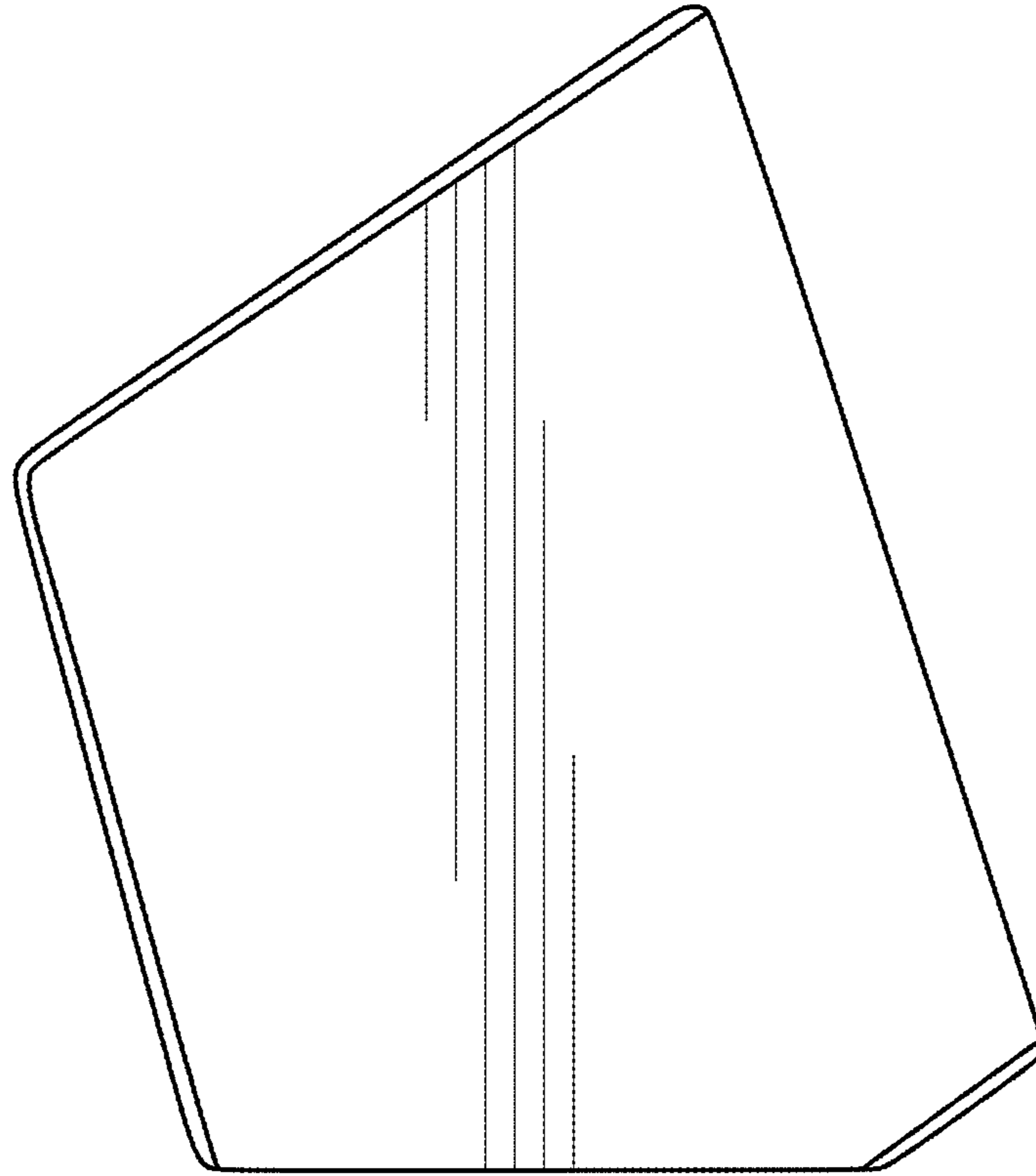


FIG. 6



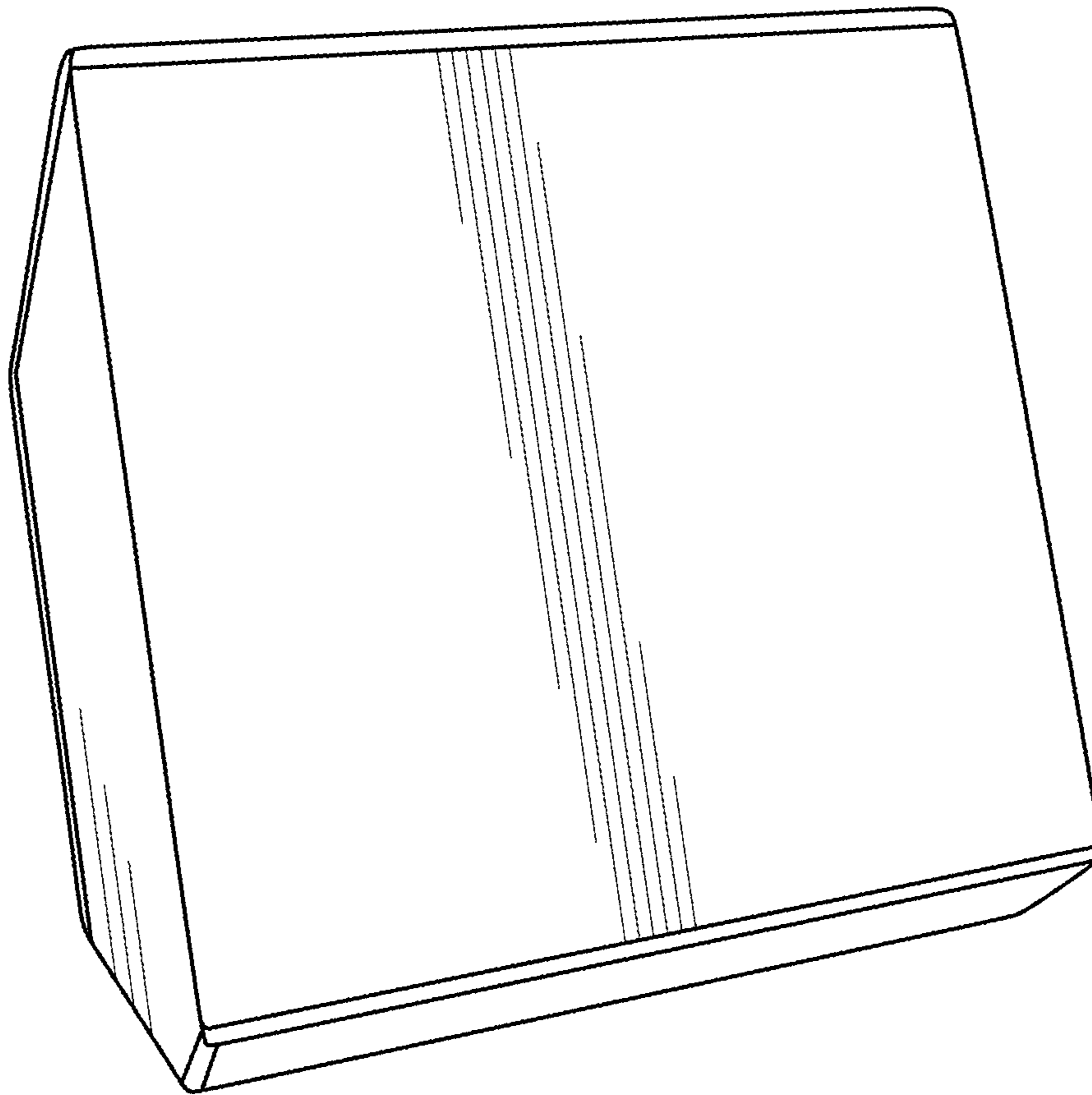


FIG. 7

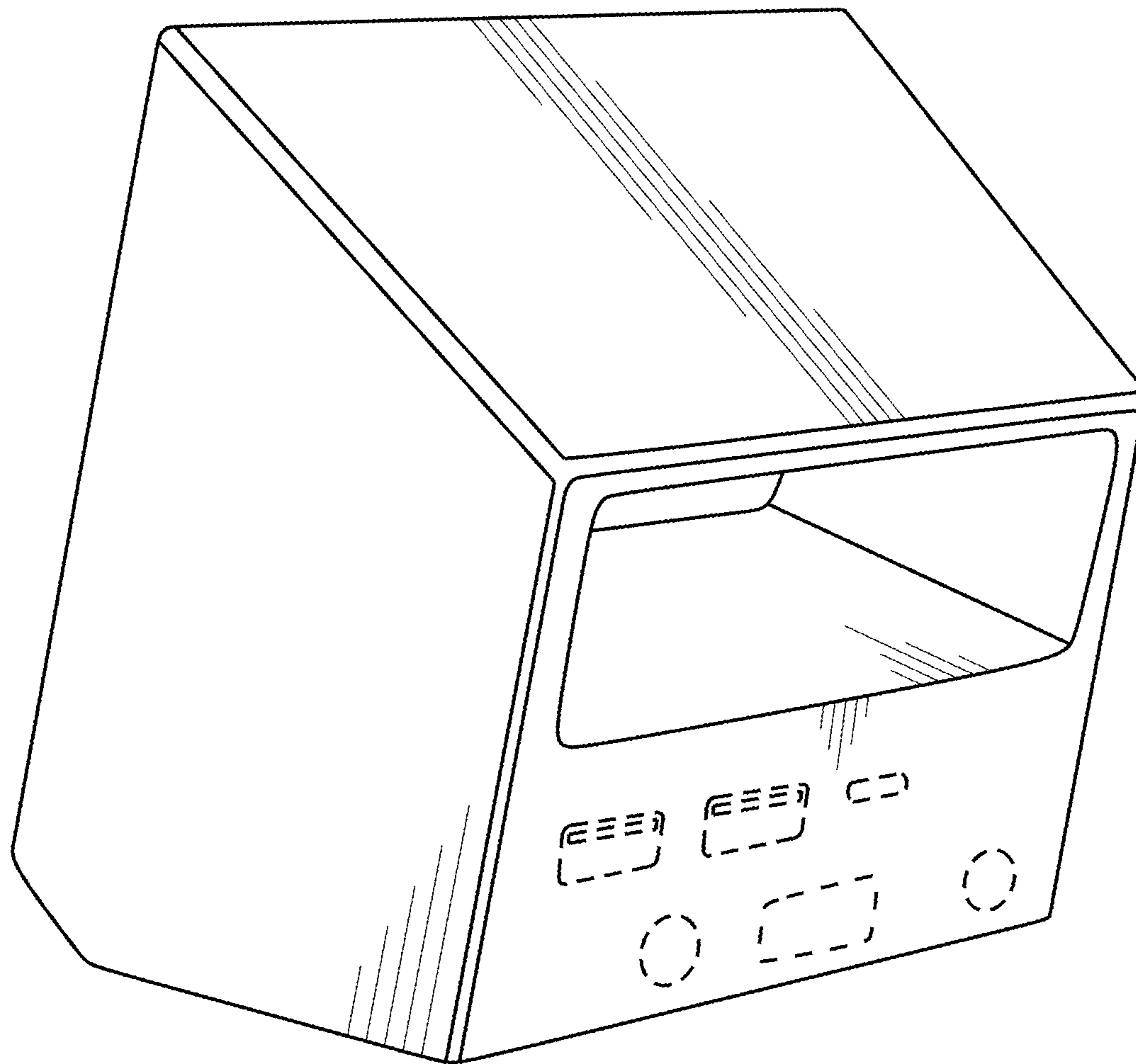


FIG. 8

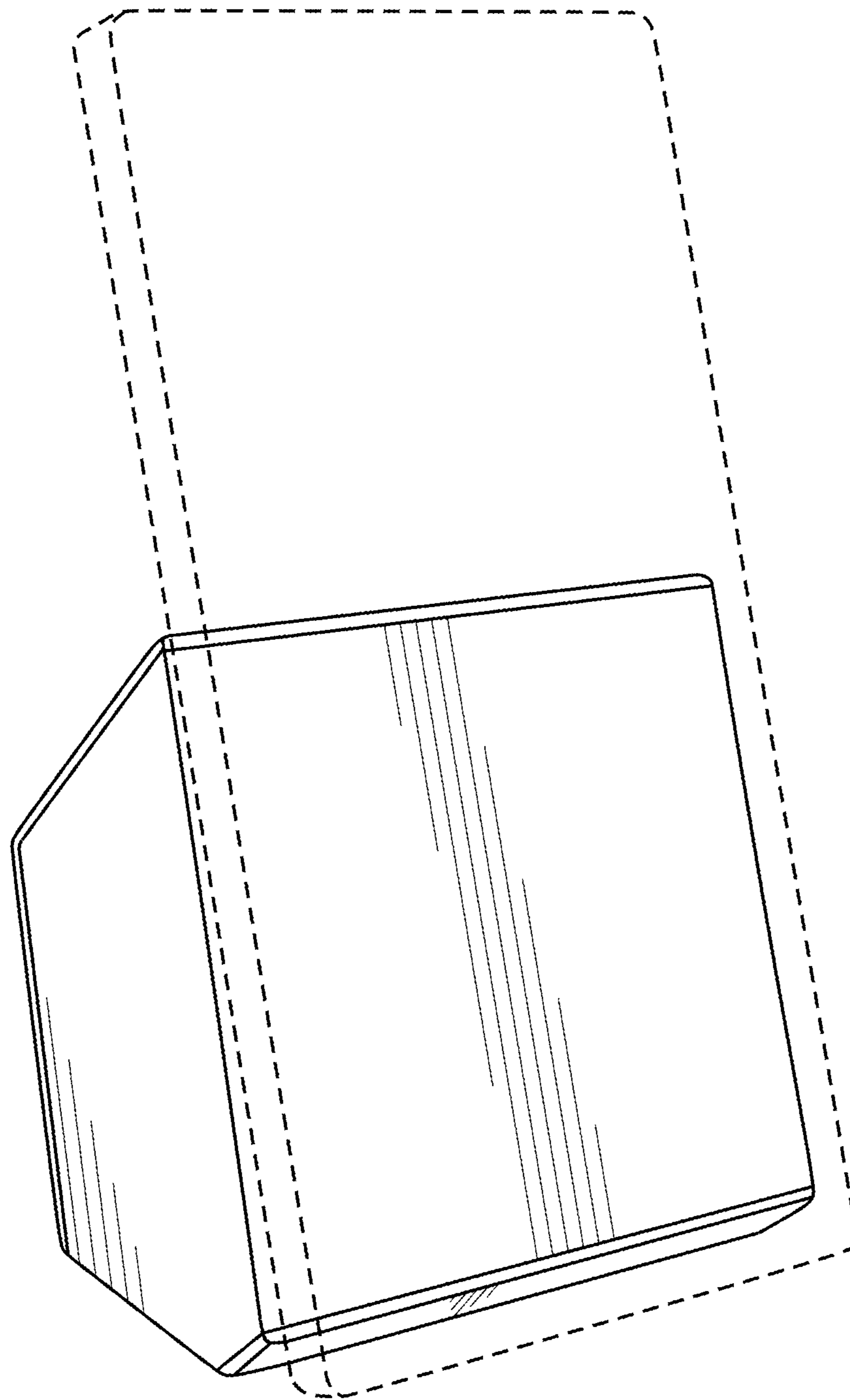


FIG. 9