



US00D815096S

(12) **United States Design Patent**  
**Ebrahimi Afrouzi et al.**

(10) **Patent No.:** **US D815,096 S**  
(45) **Date of Patent:** **\*\* Apr. 10, 2018**

(54) **POWER ADAPTER**

(71) Applicants: **Ali Ebrahimi Afrouzi**, San Jose, CA (US); **Shahin Fathi Djalali**, San Francisco, CA (US)

(72) Inventors: **Ali Ebrahimi Afrouzi**, San Jose, CA (US); **Shahin Fathi Djalali**, San Francisco, CA (US)

(73) Assignee: **AI Incorporated**, Toronto (CA)

(\*\*) Term: **15 Years**

(21) Appl. No.: **29/593,974**

(22) Filed: **Feb. 14, 2017**

(51) **LOC (11) Cl.** ..... **14-02**

(52) **U.S. Cl.**  
USPC ..... **D14/433**

(58) **Field of Classification Search**  
USPC .... D14/356, 432-434, 453, 454, 511, 203.8, D14/209.1, 238.1, 240, 125, 435.1; 439/638, 928, 105, 502; 710/303, 304, 710/305; 361/679.41, 679.55, 679.56; D13/110, 133, 146, 108; 320/111  
CPC ..... G06K 19/005; G06K 19/07732; H05K 5/0278; G09F 23/10  
See application file for complete search history.

(56) **References Cited**

U.S. PATENT DOCUMENTS

D484,137 S *	12/2003	Wikel	.....	D13/133
D626,963 S *	11/2010	Kim	.....	D14/420
D645,818 S *	9/2011	Guccione	.....	D13/108
D678,285 S *	3/2013	Chen	.....	D14/433
D685,790 S *	7/2013	Tang	.....	D14/218
D757,011 S *	5/2016	Sakai	.....	D14/433
D784,963 S *	4/2017	Saule	.....	D14/228
D786,876 S *	5/2017	Huang	.....	D14/433

D791,700 S \* 7/2017 Loewen ..... D13/108  
D793,399 S \* 8/2017 Feldstein ..... D14/433

(Continued)

*Primary Examiner* — Austin Murphy

(57) **CLAIM**

The ornamental design for a power adapter, as shown and described.

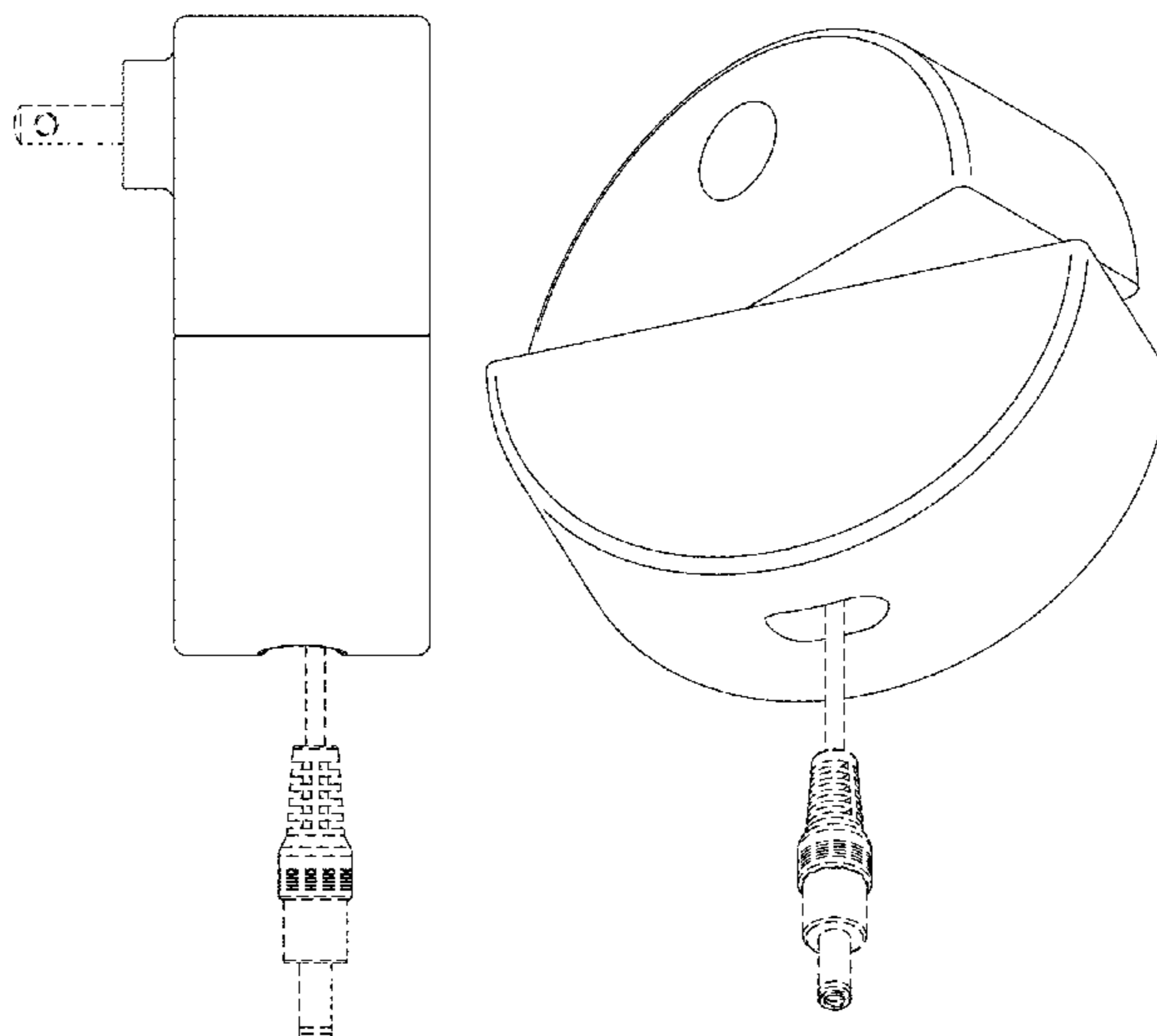
**DESCRIPTION**

FIG. 1 is a perspective of a power adapter showing our new design when the power adapter is in a first position; FIG. 2 is a front view thereof when the power adapter is in a first position; FIG. 3 is a right side elevation view thereof when the power adapter is in a first position, the left side being mirror image; FIG. 4 is a bottom view thereof when the power adapter is in a first position; FIG. 5 is a top view thereof when the power adapter is in a first position; FIG. 6 is another perspective view thereof when the power adapter is in a first position; FIG. 7 is a perspective view thereof when the power adapter is in a second position; FIG. 8 is a front view thereof when the power adapter is in a second position; FIG. 9 is a right side elevation view thereof when the power adapter is in a second position, the left side being a mirror image; FIG. 10 is a bottom view thereof when the power adapter is in a second position; FIG. 11 is a top view thereof when the power adapter is in a second position; and, FIG. 12 is another perspective view thereof when the power adapter is in a second position.

The broken lines in the drawings depict unclaimed environmental subject matter and form no part of the claimed design.

The rear of the power adapter is unornamented and, therefore, not shown.

**1 Claim, 12 Drawing Sheets**



(56)

**References Cited**

U.S. PATENT DOCUMENTS

D796,435 S *	9/2017	Cho .....	D13/108
D796,513 S *	9/2017	Feldstein .....	D14/433
2004/0001322 A1 *	1/2004	Cho .....	H02J 9/00 361/752

\* cited by examiner

FIG. 1

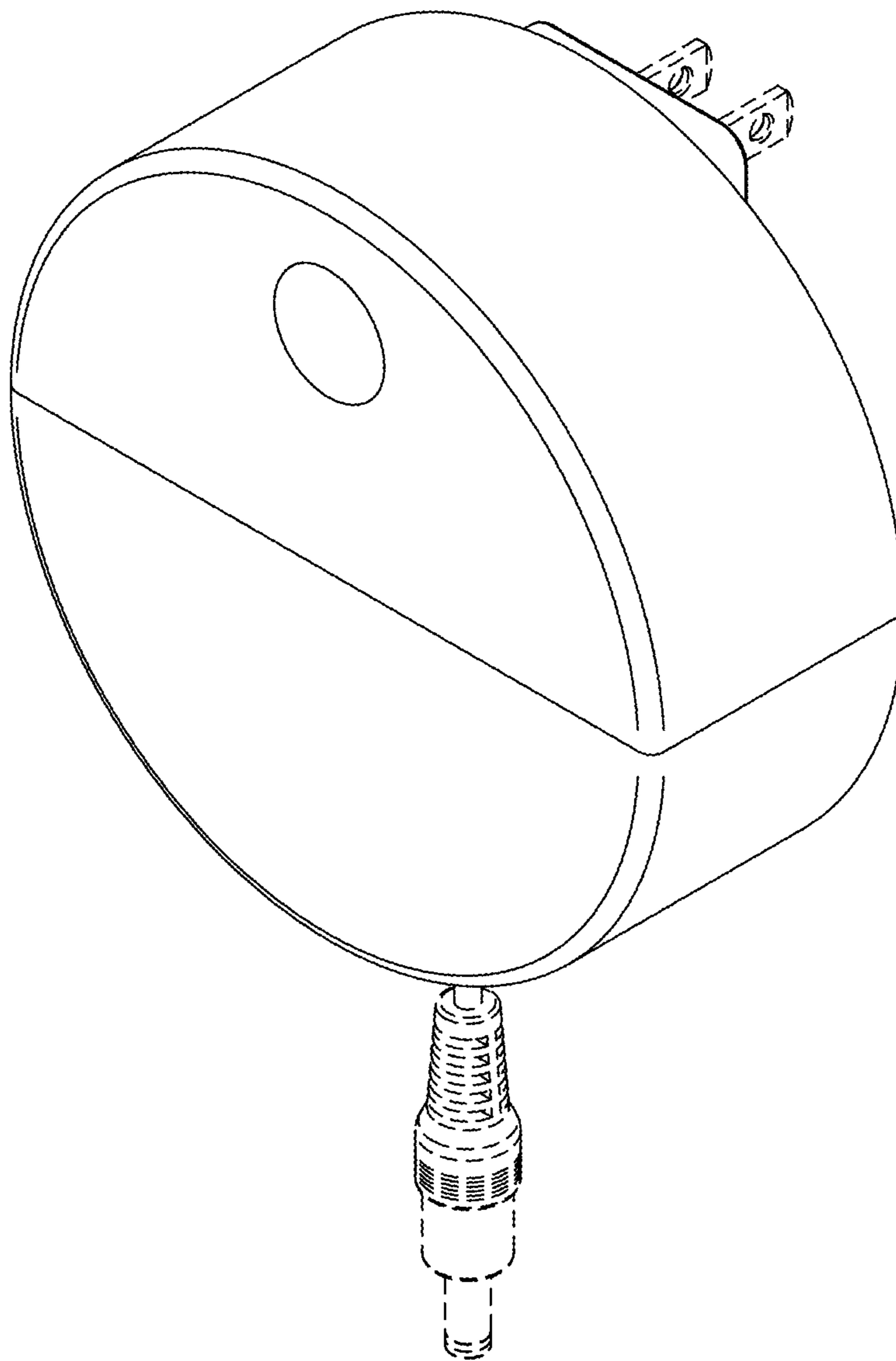


FIG. 2

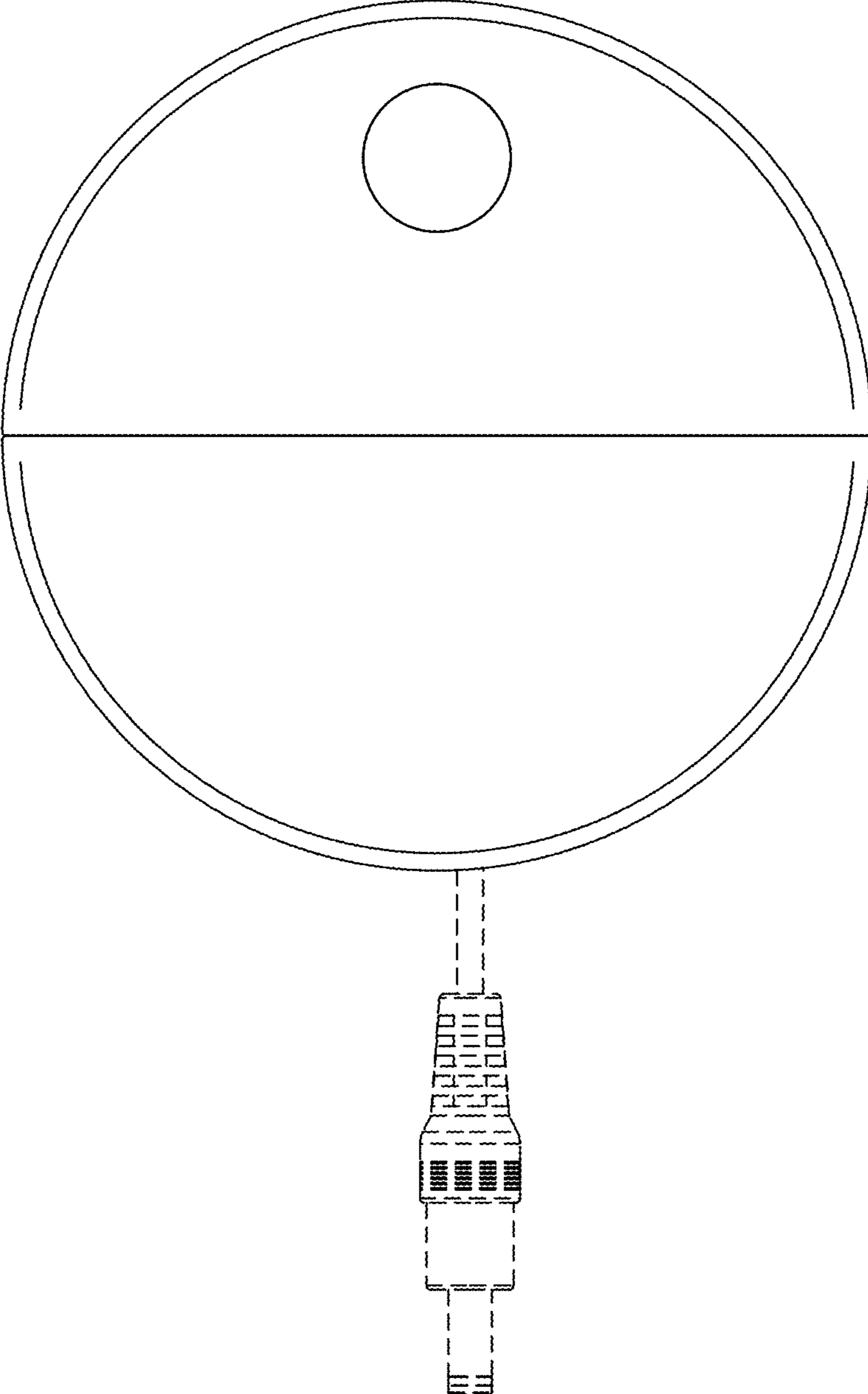


FIG. 3

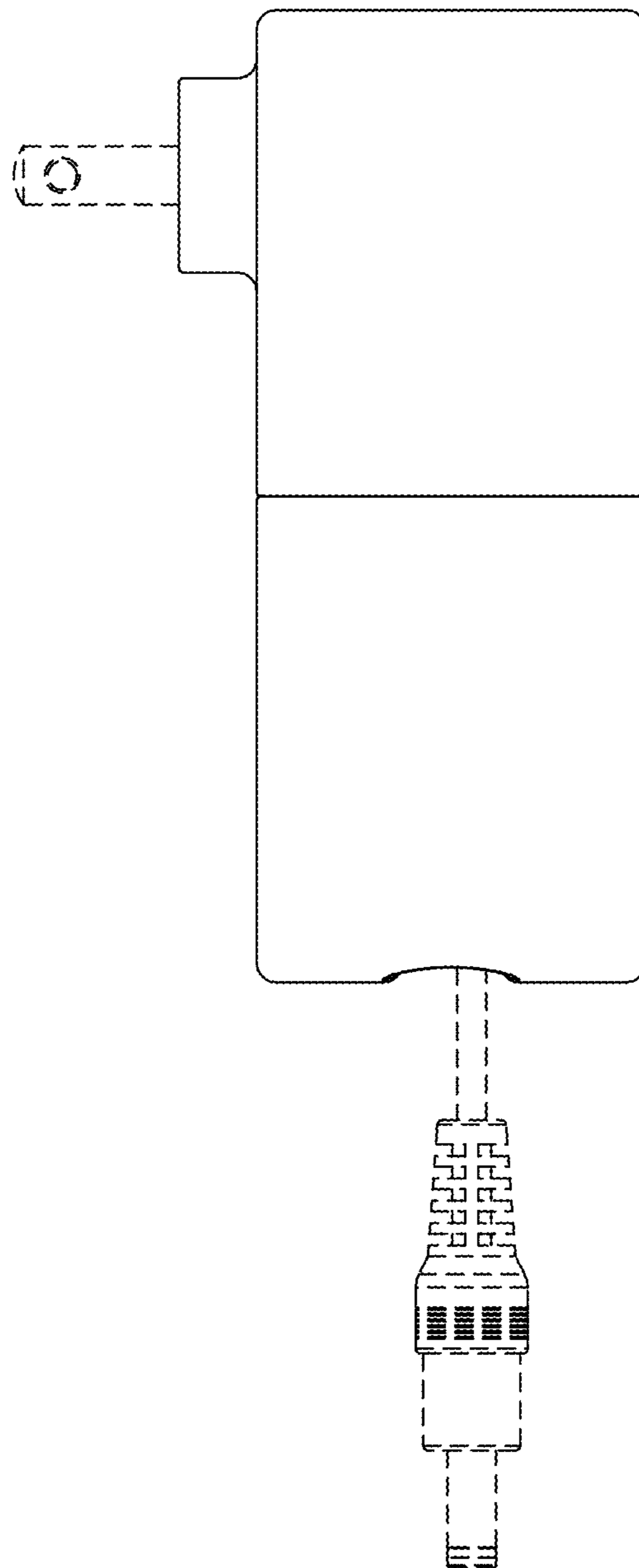


FIG. 4

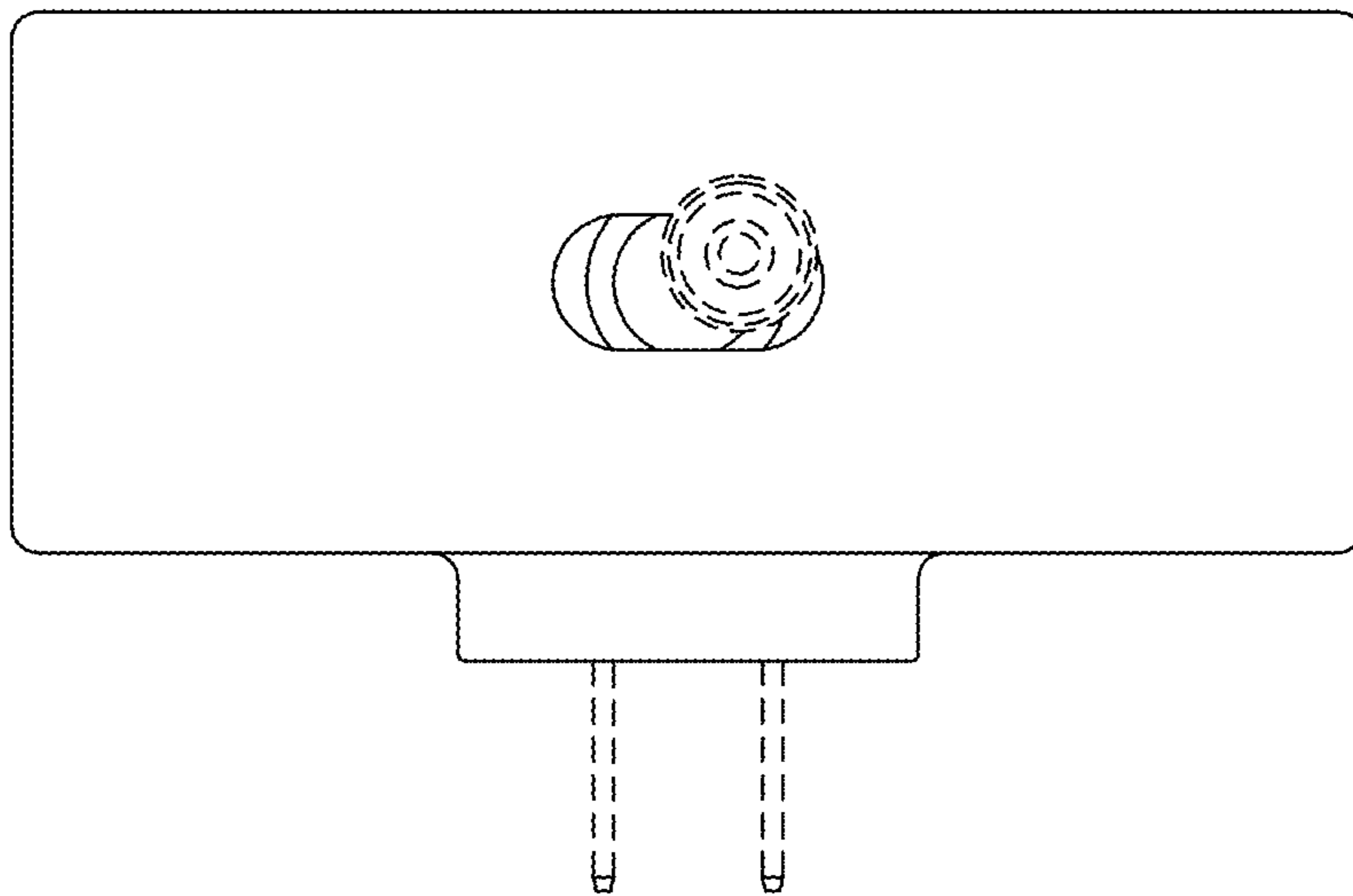


FIG. 5

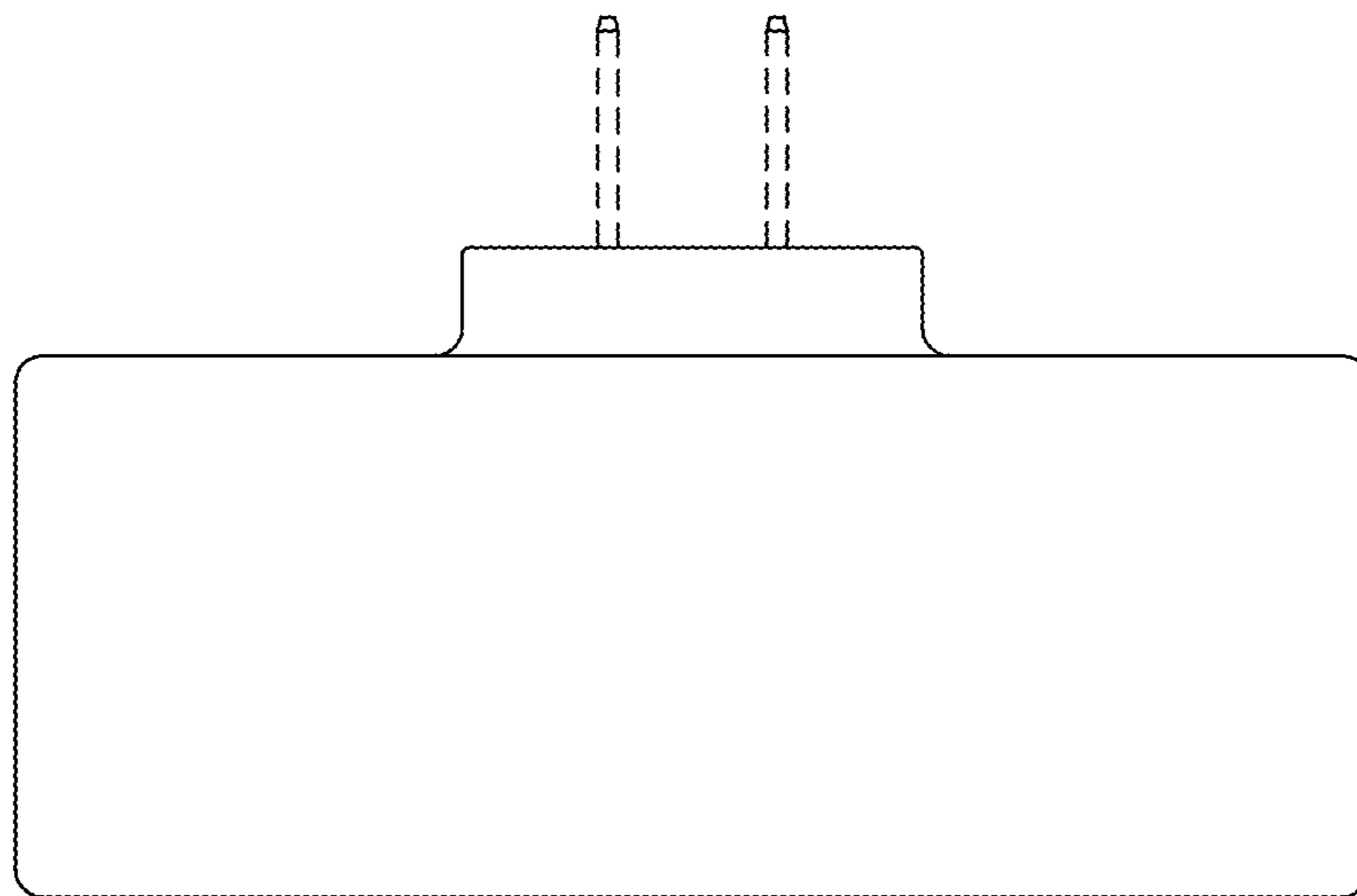


FIG. 6

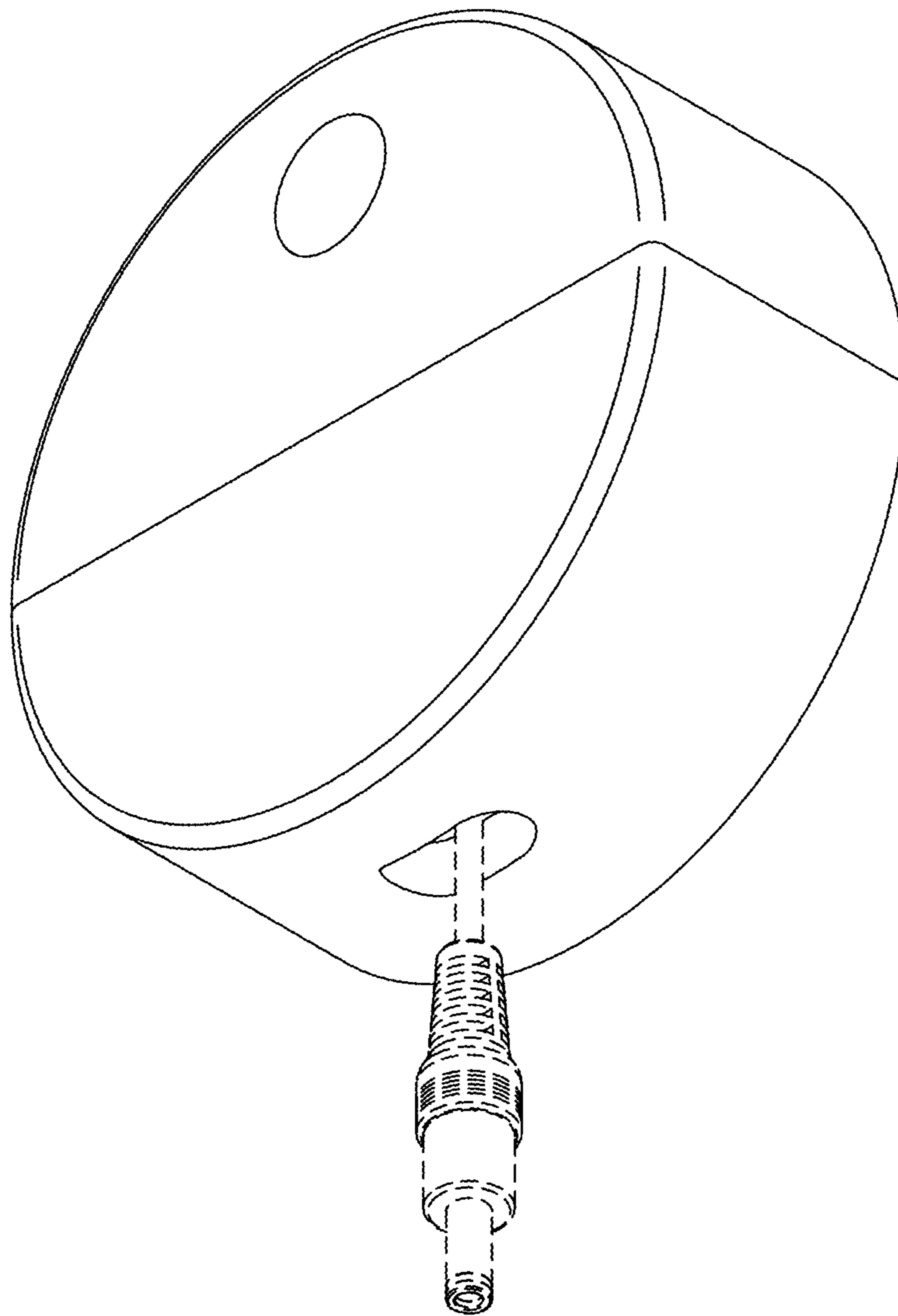




FIG. 7

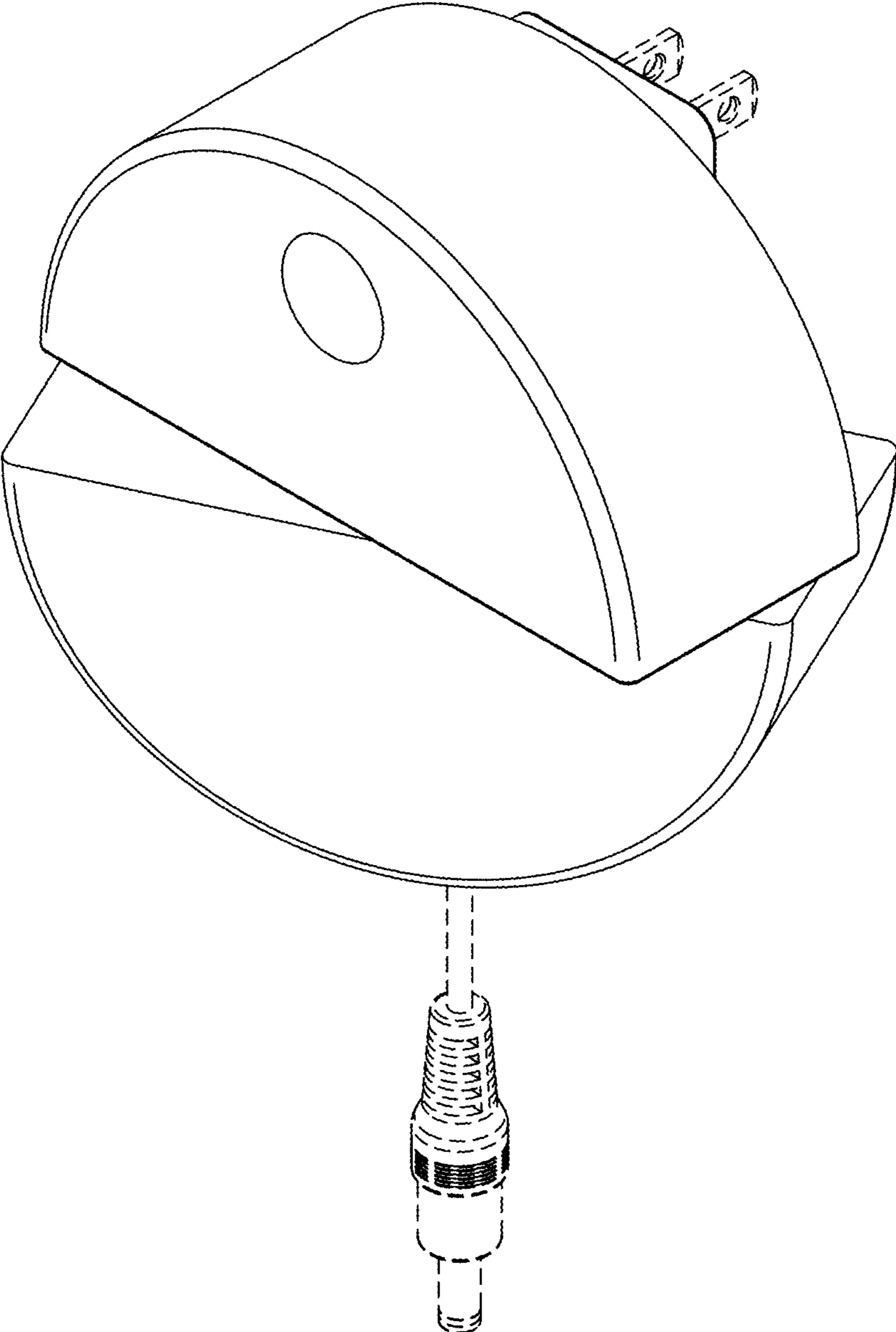


FIG. 8

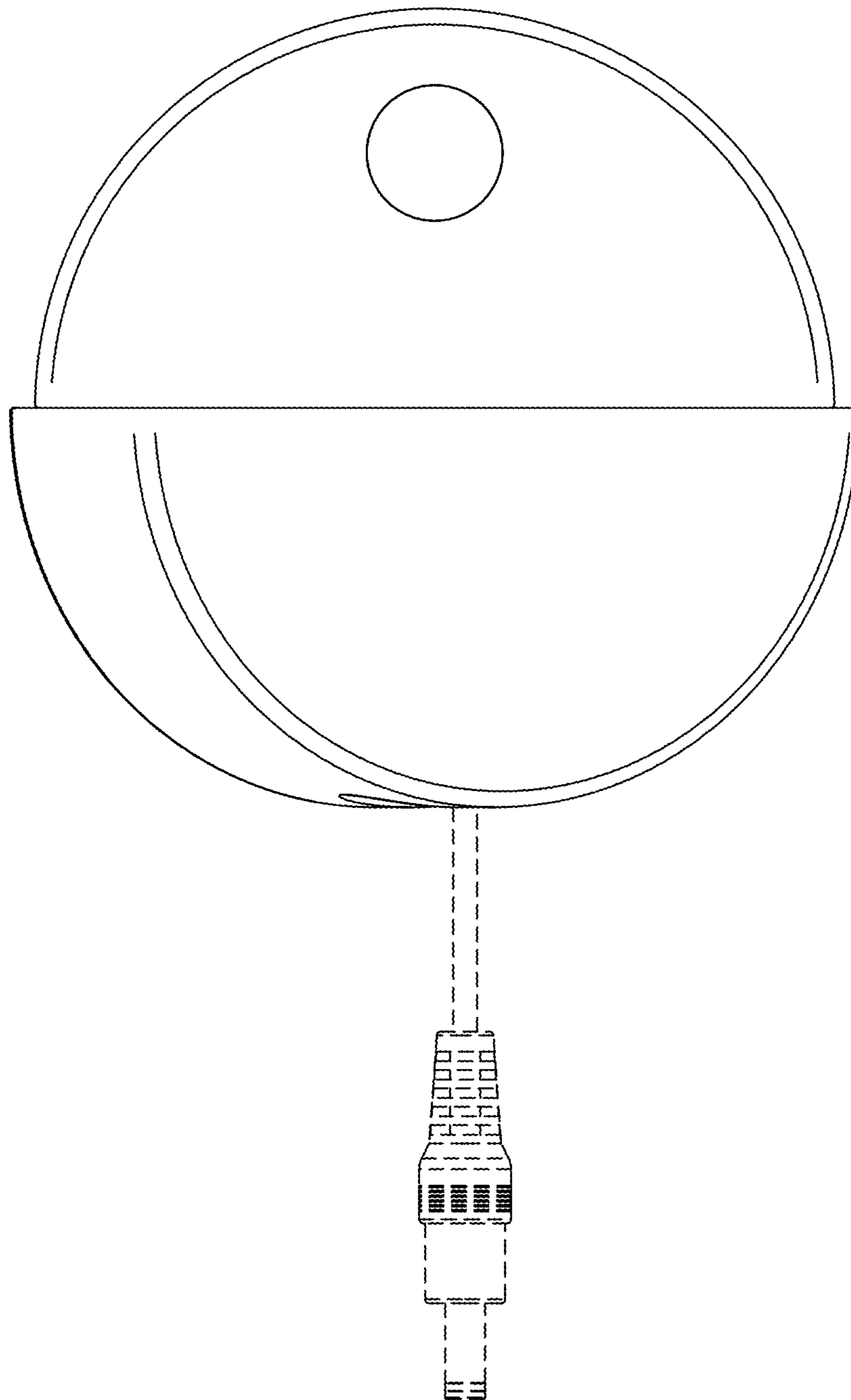


FIG. 9

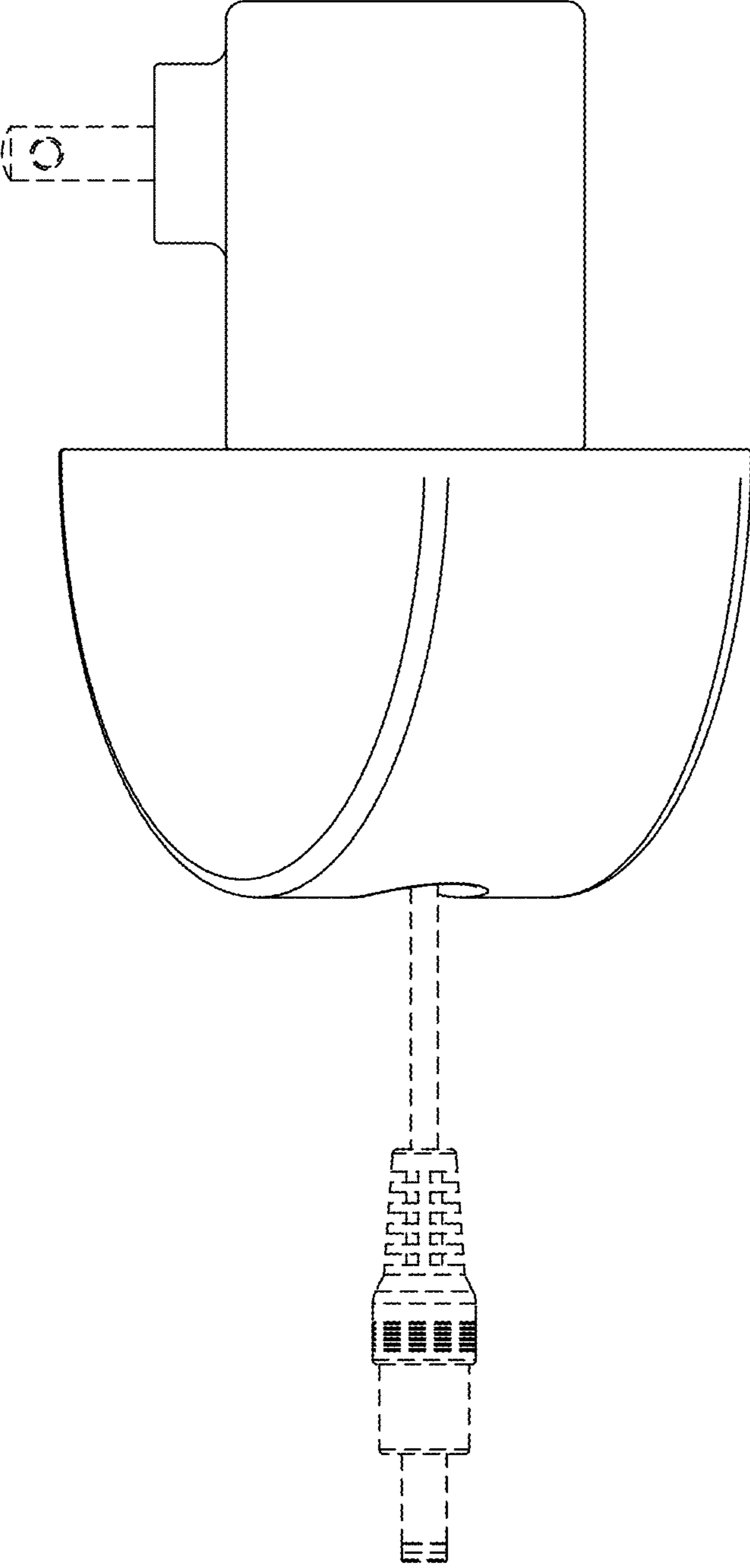


FIG. 10

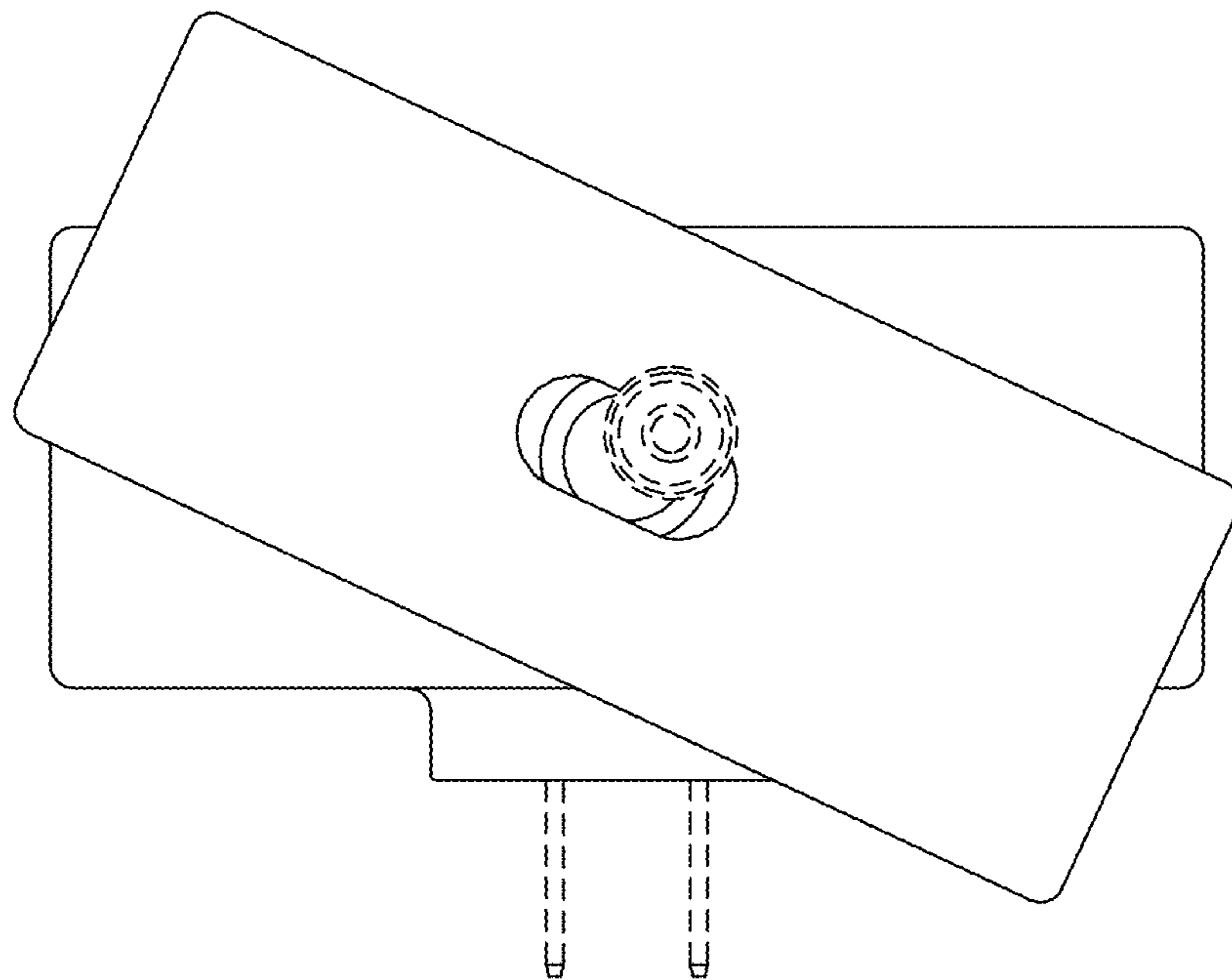


FIG. 11

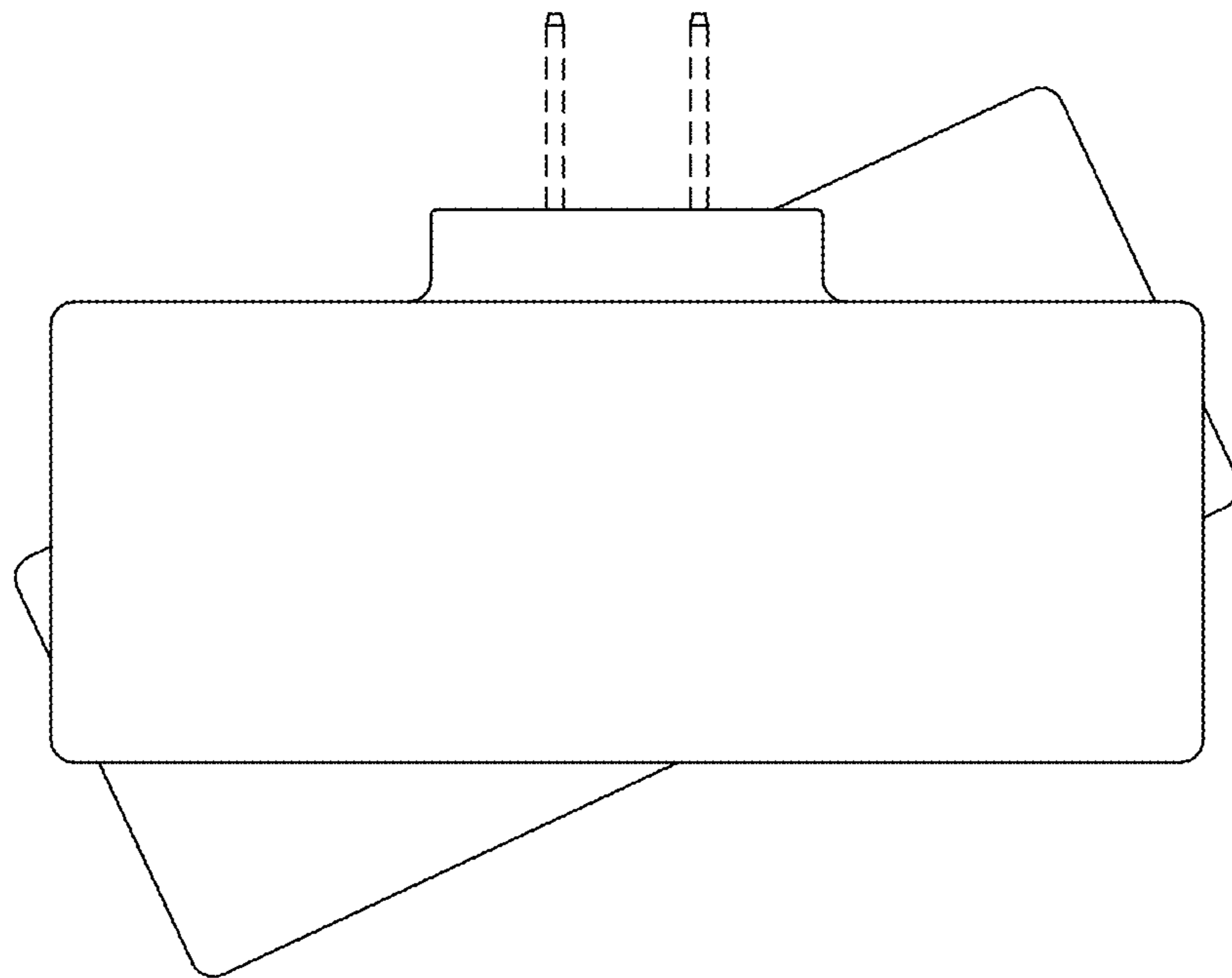


FIG. 12

