



US00D815095S

(12) **United States Design Patent** (10) **Patent No.:** **US D815,095 S**
Ishida et al. (45) **Date of Patent:** **** Apr. 10, 2018**

(54) **SCANNER**

(71) Applicant: **PFU LIMITED**, Kahoku-shi, Ishikawa (JP)

(72) Inventors: **Shoya Ishida**, Kahoku (JP); **Satoshi Kuroda**, Kahoku (JP); **Norifumi Tonami**, Kahoku (JP)

(73) Assignee: **PFU LIMITED**, Ishikawa (JP)

(**) Term: **15 Years**

(21) Appl. No.: **29/601,974**

(22) Filed: **Apr. 27, 2017**

(30) **Foreign Application Priority Data**

Dec. 13, 2016 (JP) 2016-026966

(51) **LOC (11) Cl.** **14-02**

(52) **U.S. Cl.**
USPC **D14/421**; D14/425

(58) **Field of Classification Search**

USPC D14/421-425; D18/55, 49, 46, 40, D18/36-39, 41, 44, 45, 47, 48, 50-54, D18/56; 235/462, 455, 470, 462.43, 482, 235/483; 358/474, 486, 488, 496, 497, 358/498, 452, 449, 451, 453, 1.13, 471, 358/401, 377; 318/685, 696; 355/81, 75; 399/405, 367, 379, 380, 377; 382/217; 715/209, 222, 226, 274; 400/613, 400/613.1-613.4, 690.1-690.4, 691-694

CPC H04N 1/00; H04N 1/12; H04N 1/00013; H04N 1/00015; H04N 1/00018; H04N 1/00026; H04N 1/00557; H04N 1/00564; H04N 1/00567; H04N 1/0057; H04N 1/00572; H04N 1/00586; H04N 1/00588; H04N 1/00591; H04N 1/00594; H04N 1/00596; H04N 1/00604; H04N 1/00519; H04N 1/00559; H04N 1/013; H04N 1/10; H04N 1/00551; H04N 1/00278; H04N 2201/0456; H04N 2201/0446; H04N 2201/00; H04N 2201/0094; H04N

1/1008; H04N 1/017; H04N 1/1065; H04N 1/107; H04N 1/192; H04N 1/193; H04N 1/1938; H04N 1/19505; H04N 1/0083; H04N 1/2032; H04N 2201/0013; H04N 2201/0063; H04N 2201/0081; H04N 2201/0082; H04N 2201/0086; H04N 2201/0434; G03G 15/0142; G03G 15/605;

(Continued)

(56) **References Cited**

U.S. PATENT DOCUMENTS

D278,817 S * 5/1985 Ohno D14/470
D371,120 S * 6/1996 Kono D14/425

(Continued)

Primary Examiner — Susan Moon Lee

(74) *Attorney, Agent, or Firm* — RatnerPrestia

(57) **CLAIM**

The ornamental design for a scanner, as shown and described.

DESCRIPTION

FIG. 1 is a perspective view of a scanner showing our new design;

FIG. 2 is a front view thereof;

FIG. 3 is a rear view thereof;

FIG. 4 is a right side view thereof;

FIG. 5 is a left side view thereof;

FIG. 6 is a top plan view thereof;

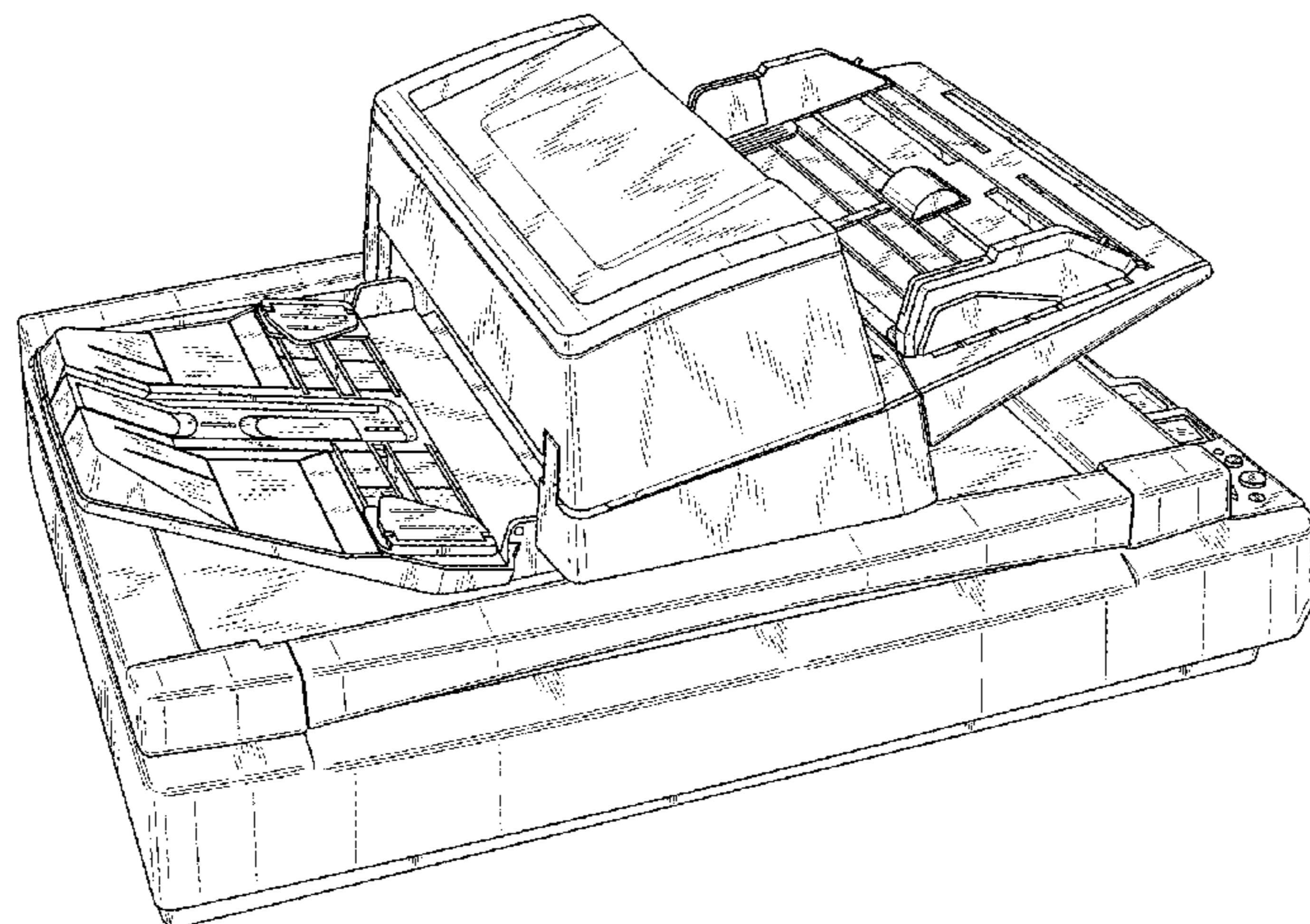
FIG. 7 is a bottom plan view thereof;

FIG. 8 is a perspective view showing the scanner with the document cover opened; and,

FIG. 9 is a reference perspective view showing the auto document feeder part rotated 180 degrees.

The broken lines in the drawings are for the purpose of illustrating unclaimed portions of the scanner and form no part of the claimed design.

1 Claim, 6 Drawing Sheets



(58) **Field of Classification Search**

CPC G03G 15/602; G03G 15/607; G03G 15/65;
 B65H 5/26; B65H 5/30; B65H 5/36;
 B65H 7/00; B65H 2402/515; B65H
 2402/31; B65H 2511/20; B65H 2511/414;
 B65H 2513/42; B65H 2801/39; B65H
 2801/31; B65H 2215/00189; B65H
 2215/00194; B65H 2215/00198; B65H
 2215/00202; B65H 2215/00206; B65H
 2215/20; B65H 2301/00; B65H 2220/04;
 B65H 3/5261; B65H 2402/30; B65H
 2402/32–2402/34; B65H 2402/40; B65H
 2402/44; B65H 2402/341; B65H 9/08;
 B65H 31/02

See application file for complete search history.

(56) **References Cited**

U.S. PATENT DOCUMENTS

D439,271	S *	3/2001	Takimura	D18/39
D469,769	S *	2/2003	Sugitani	D14/425
D514,107	S *	1/2006	Sugitani	D14/422
D514,575	S	2/2006	Sugitani et al.	
D541,281	S *	4/2007	Miki	D14/422
D585,064	S *	1/2009	Sugitani	D14/422
D585,070	S	1/2009	Sugitani et al.	
D603,863	S	11/2009	Sugitani et al.	
2003/0206318	A1 *	11/2003	Breslawski	H04N 1/00347 358/498
2003/0210433	A1 *	11/2003	Westcott	H04N 1/00538 358/474
2006/0245010	A1 *	11/2006	Kashimada	H04N 1/00538 358/474
2016/0227048	A1 *	8/2016	Akimatsu	H04N 1/0057
2016/0227063	A1 *	8/2016	Matsui	H04N 1/00803

* cited by examiner

FIG. 1

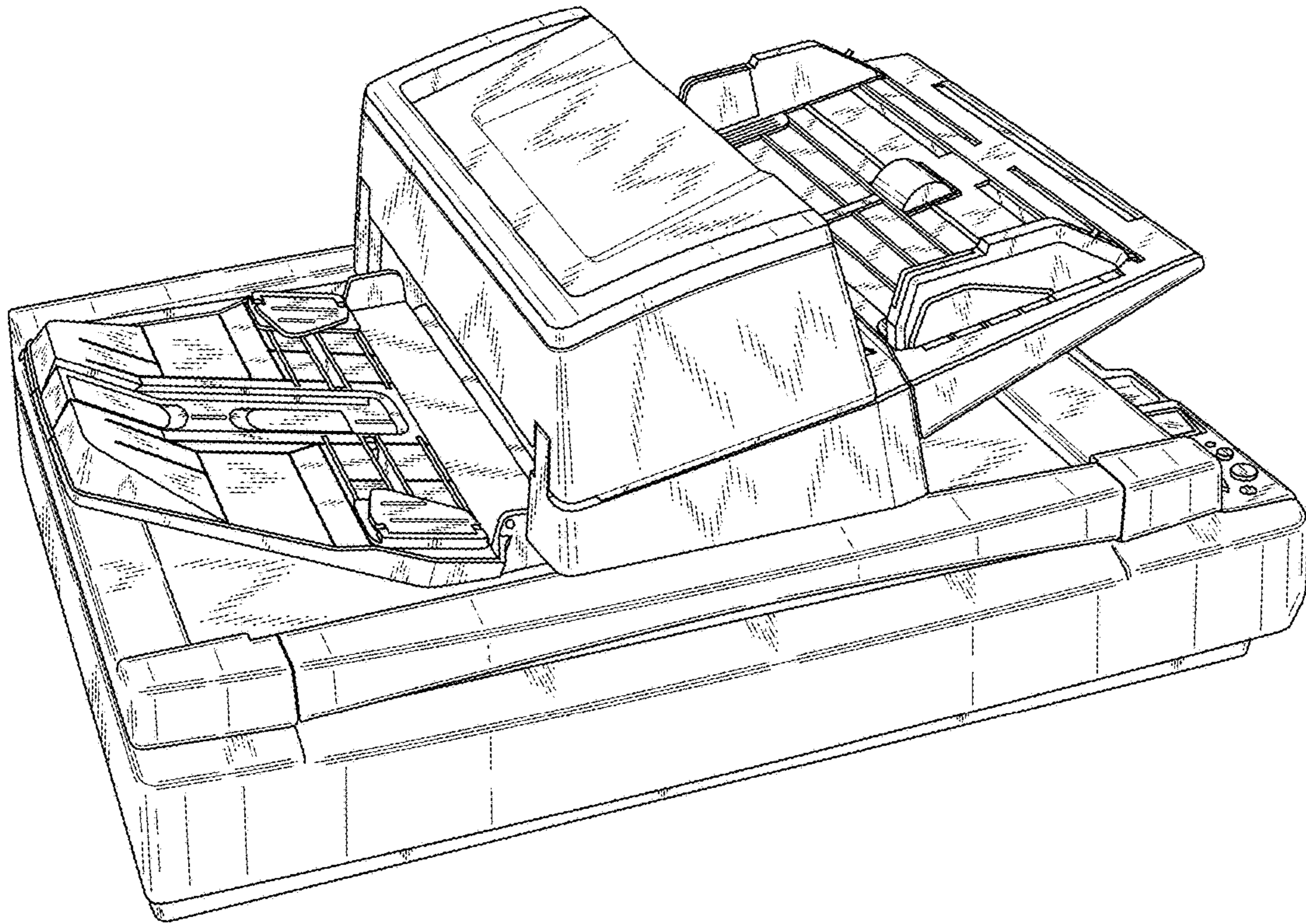


FIG. 2

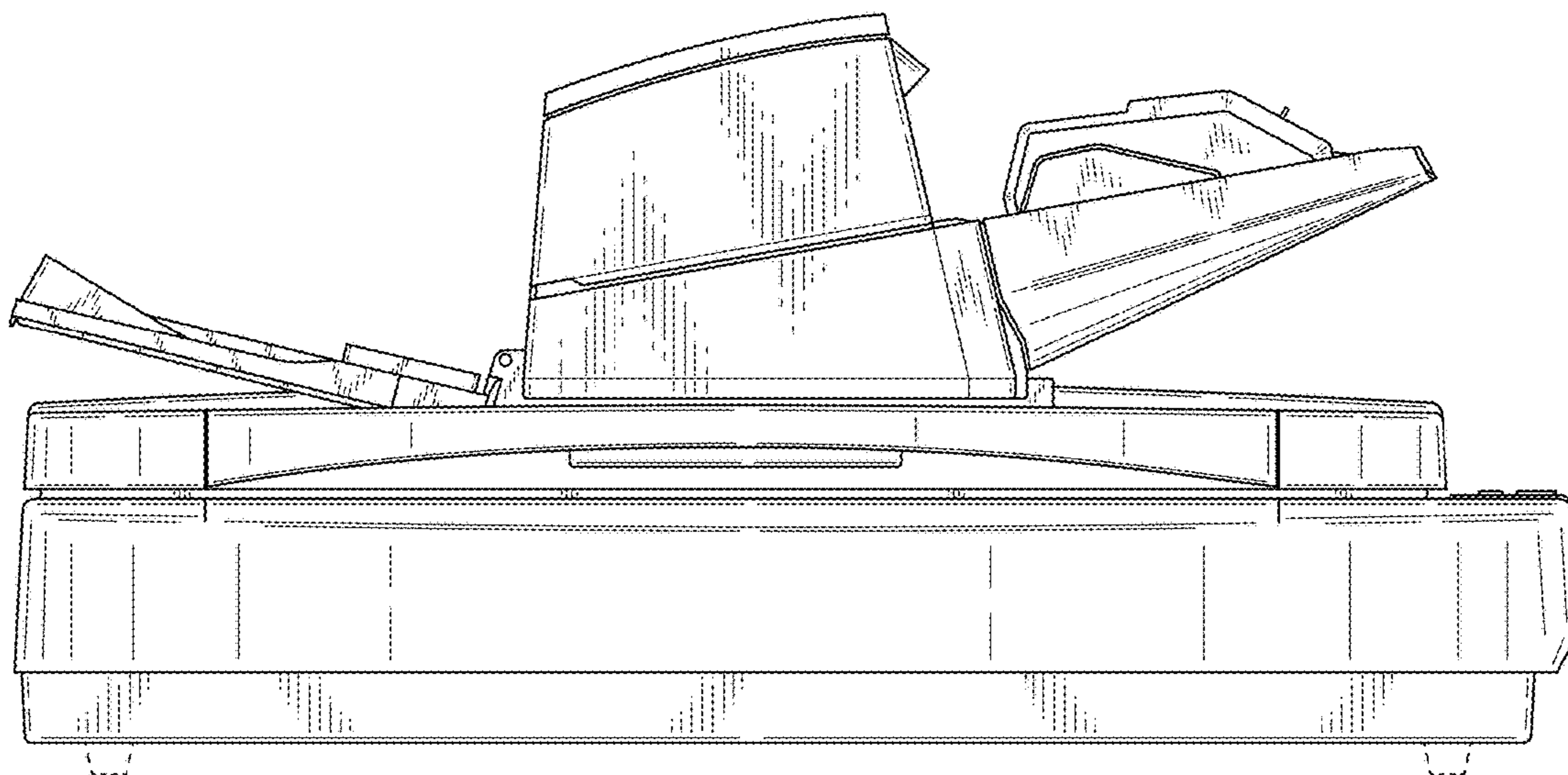


FIG. 3

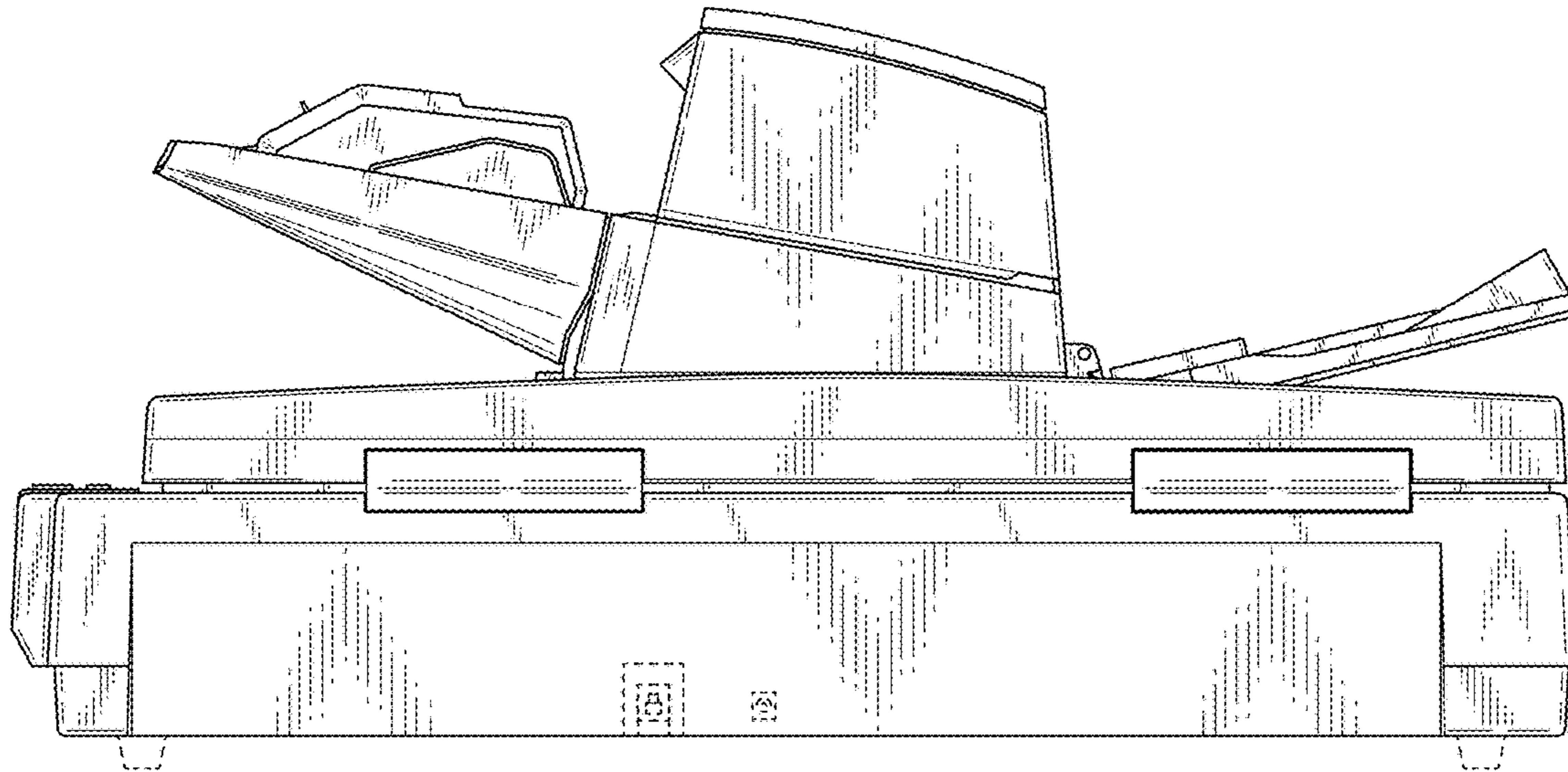


FIG. 4

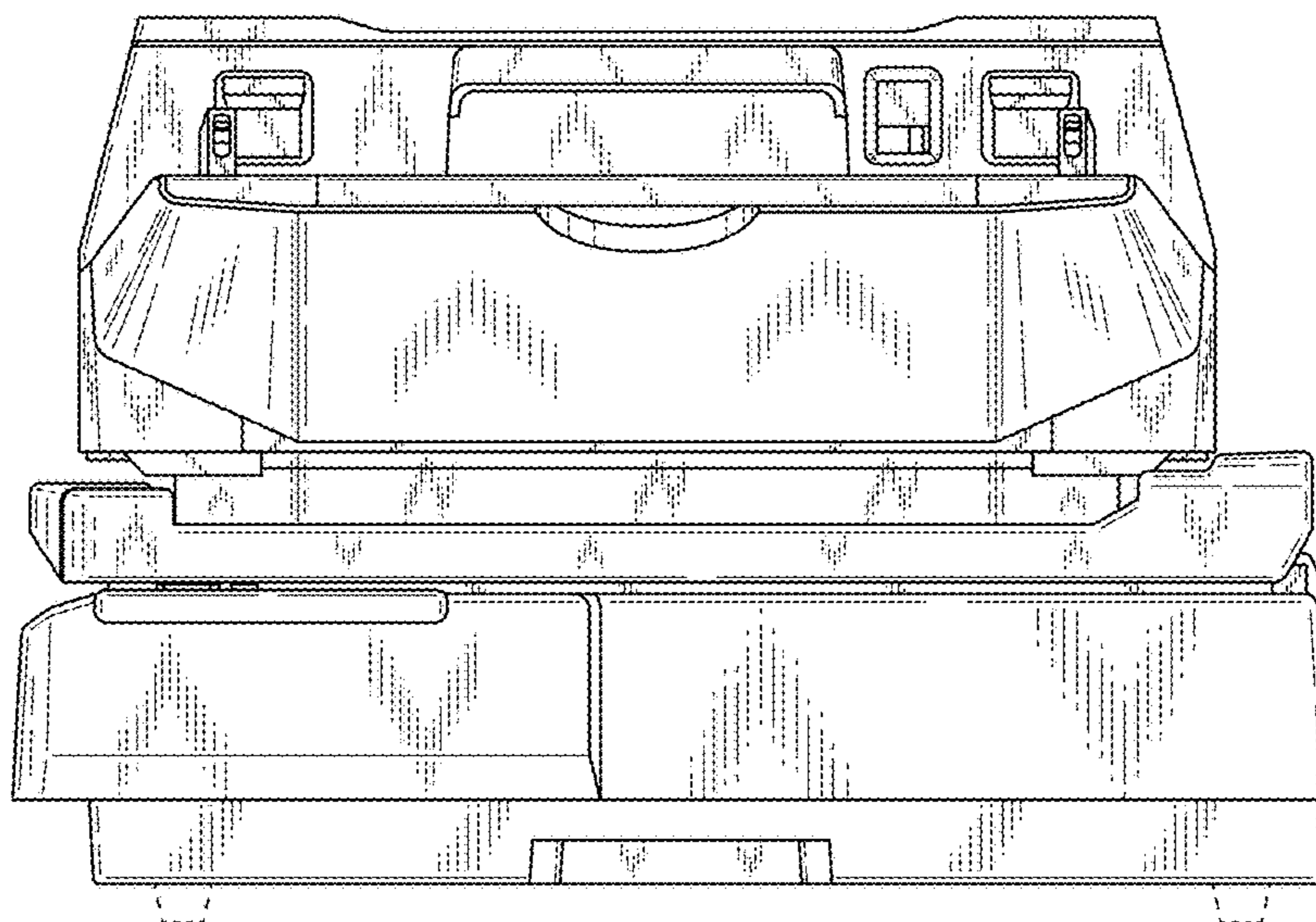


FIG. 5

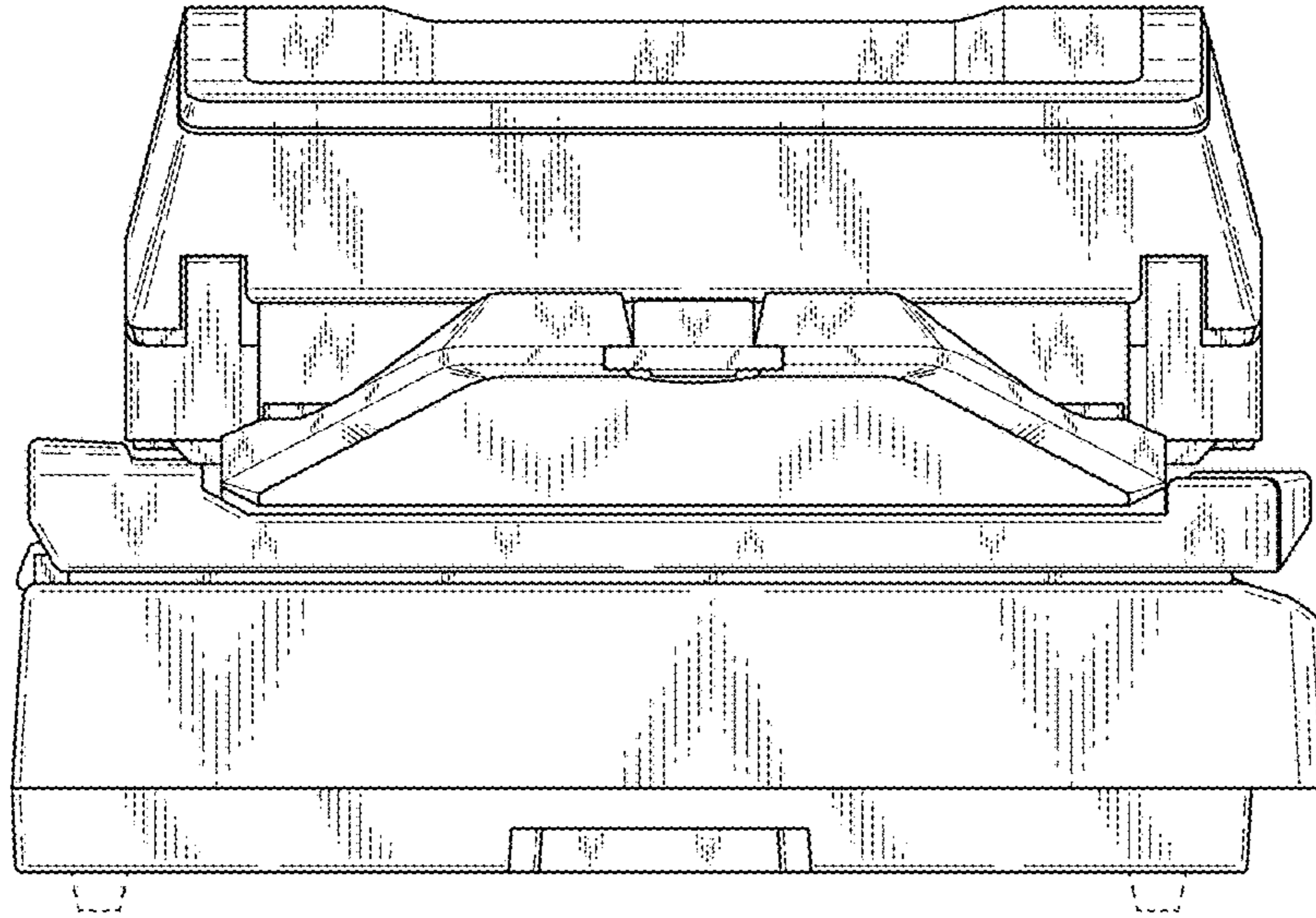


FIG. 6

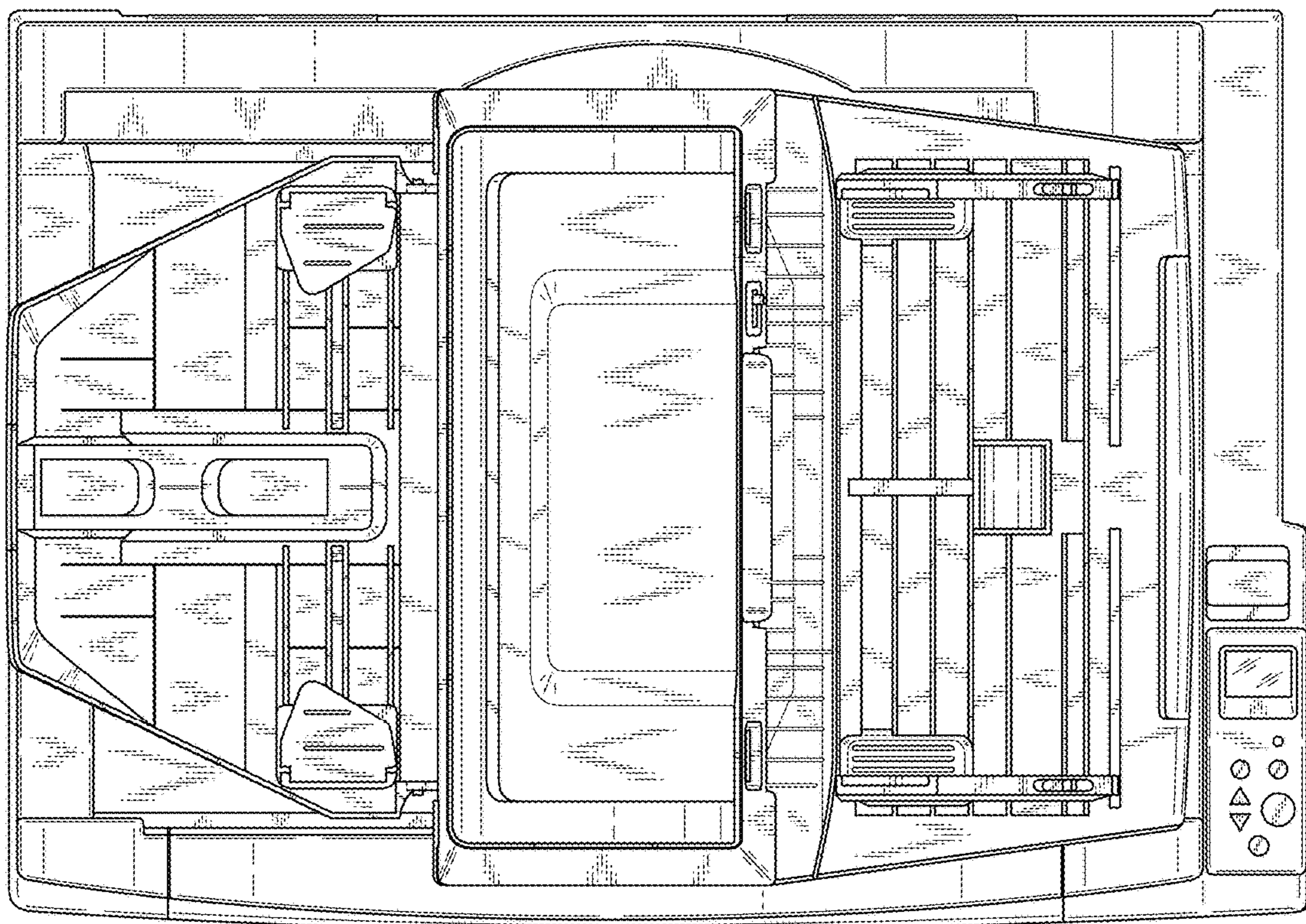


FIG. 7

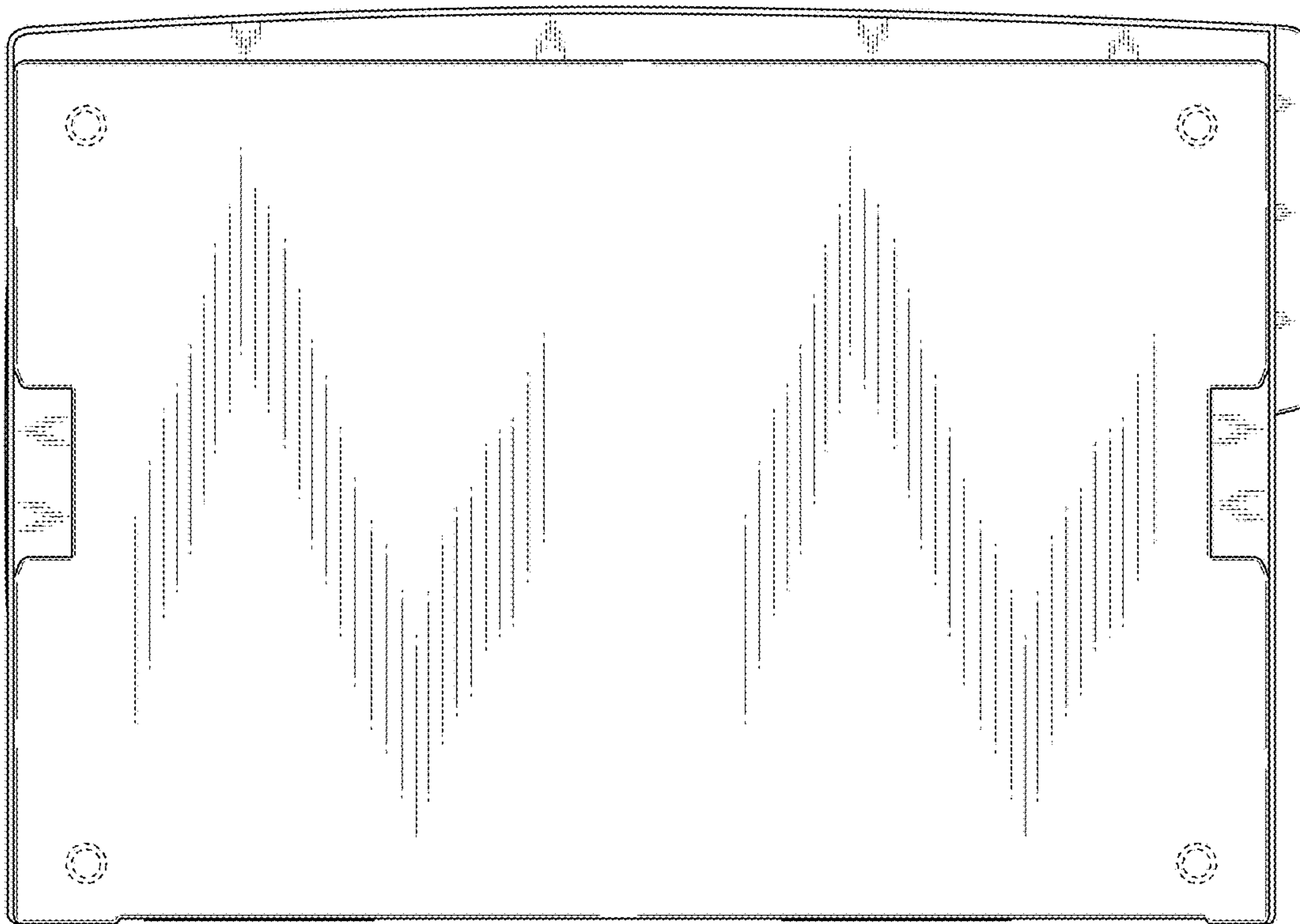


FIG. 8

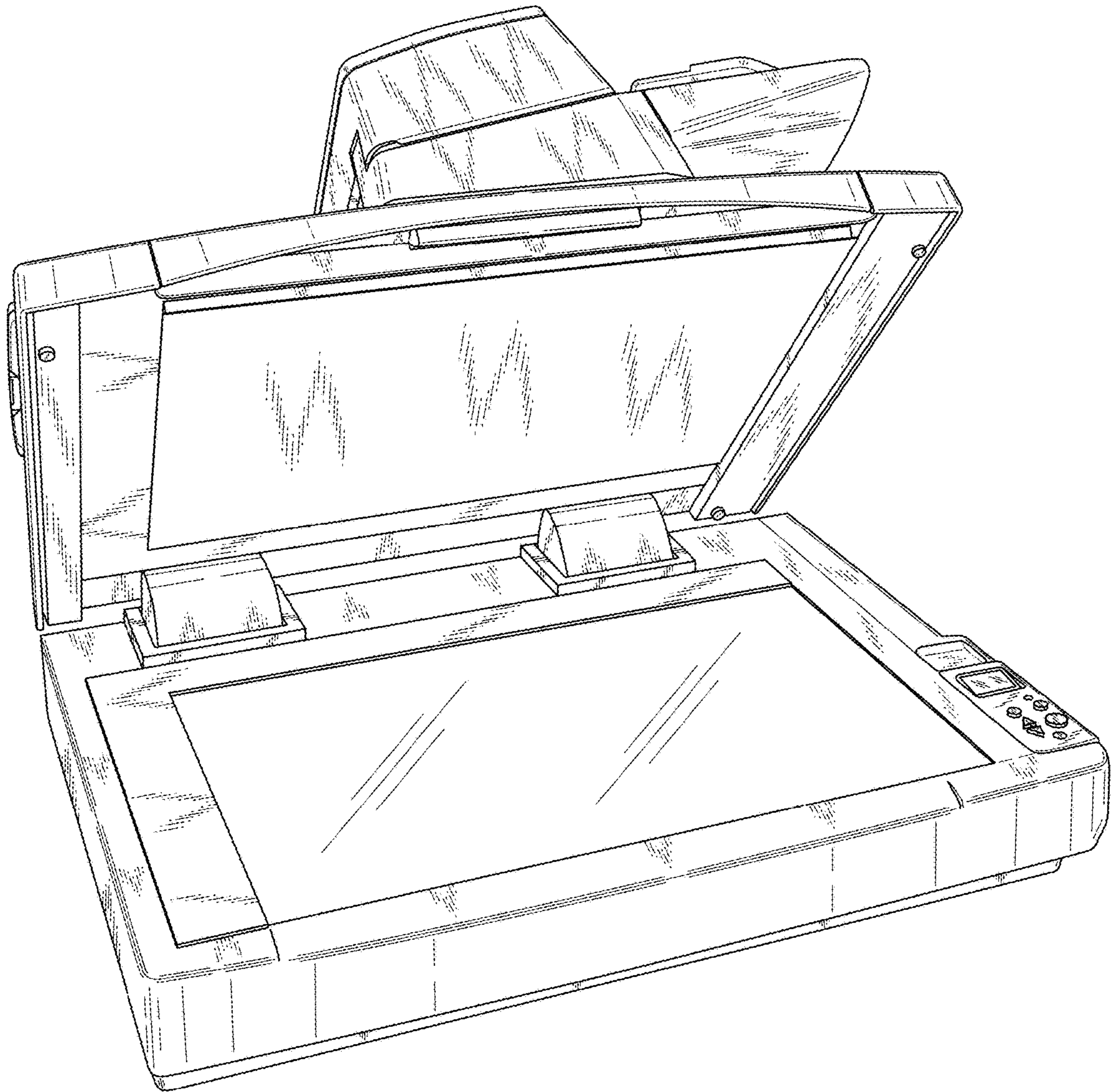


FIG. 9

