



US00D815091S

(12) **United States Design Patent**
Nguyen et al.

(10) **Patent No.:** **US D815,091 S**

(45) **Date of Patent:** **** Apr. 10, 2018**

(54) **CONTENT HUB**

(71) Applicant: **CastAR, Inc.**, Palo Alto, CA (US)

(72) Inventors: **Hoang Minh Nguyen**, San Mateo, CA (US); **Christopher John Kraeutle**, San Jose, CA (US); **Evan Lawrence Coons**, Hayward, CA (US)

(**) Term: **15 Years**

(21) Appl. No.: **29/575,681**

(22) Filed: **Aug. 26, 2016**

(51) **LOC (11) Cl.** **14-02**

(52) **U.S. Cl.**
USPC **D14/356**; D14/496

(58) **Field of Classification Search**
USPC D14/356, 357, 358, 361, 362, 365, 367, D14/370, 388, 389, 432, 434, 216, 217, D14/218, 240, 242, 299, 125, 129, 130, D14/140, 155, 168, 188, 496, 474, 483, D14/484, 203.1, 203.3, 203.6, 238.1; D13/103, 107, 108, 123, 152, 162, 162.1, D13/163, 168, 184, 199; D10/104.1, D10/106.6, 116.1, 61, 64, 75; D21/324, D21/332, 333
CPC ... H04W 88/08; H04W 88/085; H04W 88/00; H04W 88/005; H04W 88/02; H04W 88/12; H04W 88/14; H04W 88/16; H04W 88/18; H04W 4/00; H01Q 1/02; H01Q 1/2291; H01Q 1/246; H04B 1/38
See application file for complete search history.

(56) **References Cited**

U.S. PATENT DOCUMENTS

D483,281 S * 12/2003 Cobigo D10/104.1
D500,484 S * 1/2005 Deguchi D14/480.1
D510,584 S * 10/2005 Tierney D14/203.6
D524,310 S * 7/2006 Kent D14/356

D527,667 S * 9/2006 Kim D10/116.1
D546,952 S * 7/2007 May D24/186
D547,223 S * 7/2007 Tal D10/106.1
D548,749 S * 8/2007 Schmidt D14/496
D561,703 S * 2/2008 Shimokawa D13/168
D562,778 S * 2/2008 Bonnaud D13/168
D571,305 S * 6/2008 Thursfield D13/168
D572,230 S * 7/2008 Neu D14/155
D578,993 S * 10/2008 Yamada D14/159
D585,395 S * 1/2009 Cho D14/125
D585,892 S * 2/2009 Urban D14/356
D592,647 S * 5/2009 L'Henaff D14/240
D597,068 S * 7/2009 Whang D14/496
D598,018 S * 8/2009 Sumii D14/301
D600,228 S * 9/2009 Finney D14/138 AC
D611,408 S * 3/2010 Ferber D13/108
D618,681 S * 6/2010 Richter D14/358
D619,558 S * 7/2010 Seil D14/155
D622,685 S * 8/2010 Garra D14/137
D626,125 S * 10/2010 Kang D14/356
D628,573 S * 12/2010 Wang D14/356
D638,394 S * 5/2011 Richards D14/155
D649,945 S * 12/2011 Kim D14/125

(Continued)

Primary Examiner — Susan Bennett Hattan
Assistant Examiner — Marie D. Fast Horse

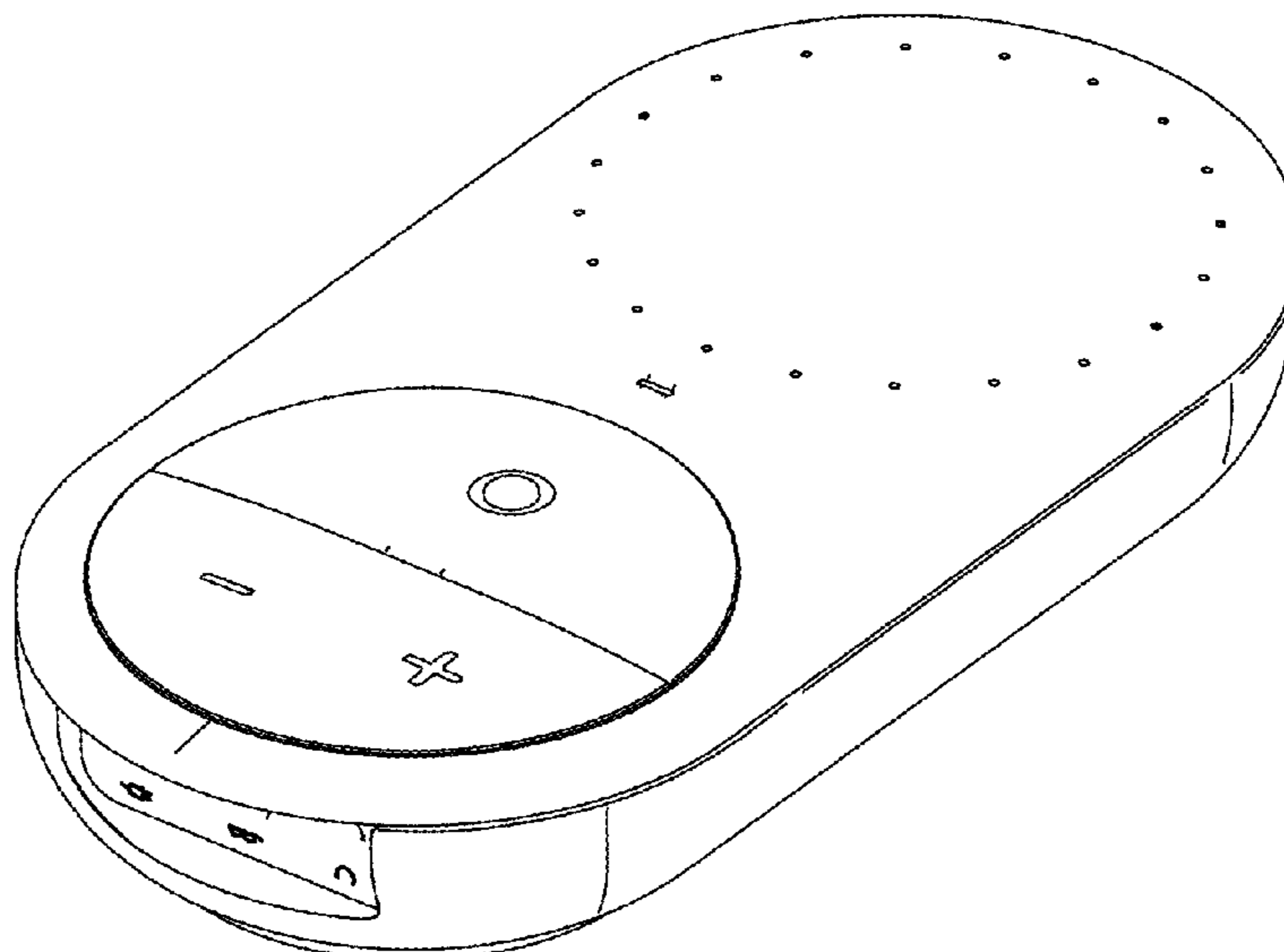
(57) **CLAIM**

We claim the ornamental design for a content hub, substantially as shown and described.

DESCRIPTION

FIG. 1 is a top perspective view of a content hub embodying our new design.
FIG. 2 is a bottom perspective view of the content hub.
FIG. 3 is a top view of the content hub.
FIG. 4 is a bottom view of the content hub.
FIG. 5 is a right side view of the content hub.
FIG. 6 is a left side view of the content hub.
FIG. 7 is a top end view of the content hub; and,
FIG. 8 is a bottom end view of the content hub.

1 Claim, 4 Drawing Sheets



(56)

References Cited

U.S. PATENT DOCUMENTS

D664,146	S	*	7/2012	Hoehn	D14/433
D667,382	S	*	9/2012	Cosentino	D13/168
D669,072	S	*	10/2012	Huang	D14/356
D677,223	S	*	3/2013	Cho	D13/110
D682,199	S	*	5/2013	Rautiainen	D13/108
D683,251	S	*	5/2013	Dumas	D10/104.2
D685,773	S	*	7/2013	Katarow	D14/240
D693,332	S	*	11/2013	Lee	D13/168
D707,627	S	*	6/2014	Brunner	D13/110
D718,727	S	*	12/2014	Burek	D13/199
D733,080	S	*	6/2015	Kuh	D14/125
D743,381	S	*	11/2015	Pi	D14/218
D763,209	S	*	8/2016	Park	D14/125
D763,830	S	*	8/2016	Jones	D14/218
D764,461	S	*	8/2016	Romanoff	D14/358
D764,463	S	*	8/2016	Dwivedula	D14/358
D767,568	S	*	9/2016	McWilliam	D14/358
D771,039	S	*	11/2016	Windstrup	D14/356
D772,821	S	*	11/2016	Bristol	D13/168
D776,640	S	*	1/2017	Simonian	D14/218
D776,659	S	*	1/2017	Hou	D14/433
D780,137	S	*	2/2017	Tallqvist	D14/125
D783,552	S	*	4/2017	Hogan	D14/125
D784,338	S	*	4/2017	Lee	D14/433
D787,463	S	*	5/2017	Maxwell	D14/130
D789,358	S	*	6/2017	Yang	D14/356
D790,484	S	*	6/2017	Bristol	D13/168
D797,087	S	*	9/2017	Burton	D14/242
2010/0218024	A1	*	8/2010	Yamamoto	G06F 1/3203 713/324

* cited by examiner

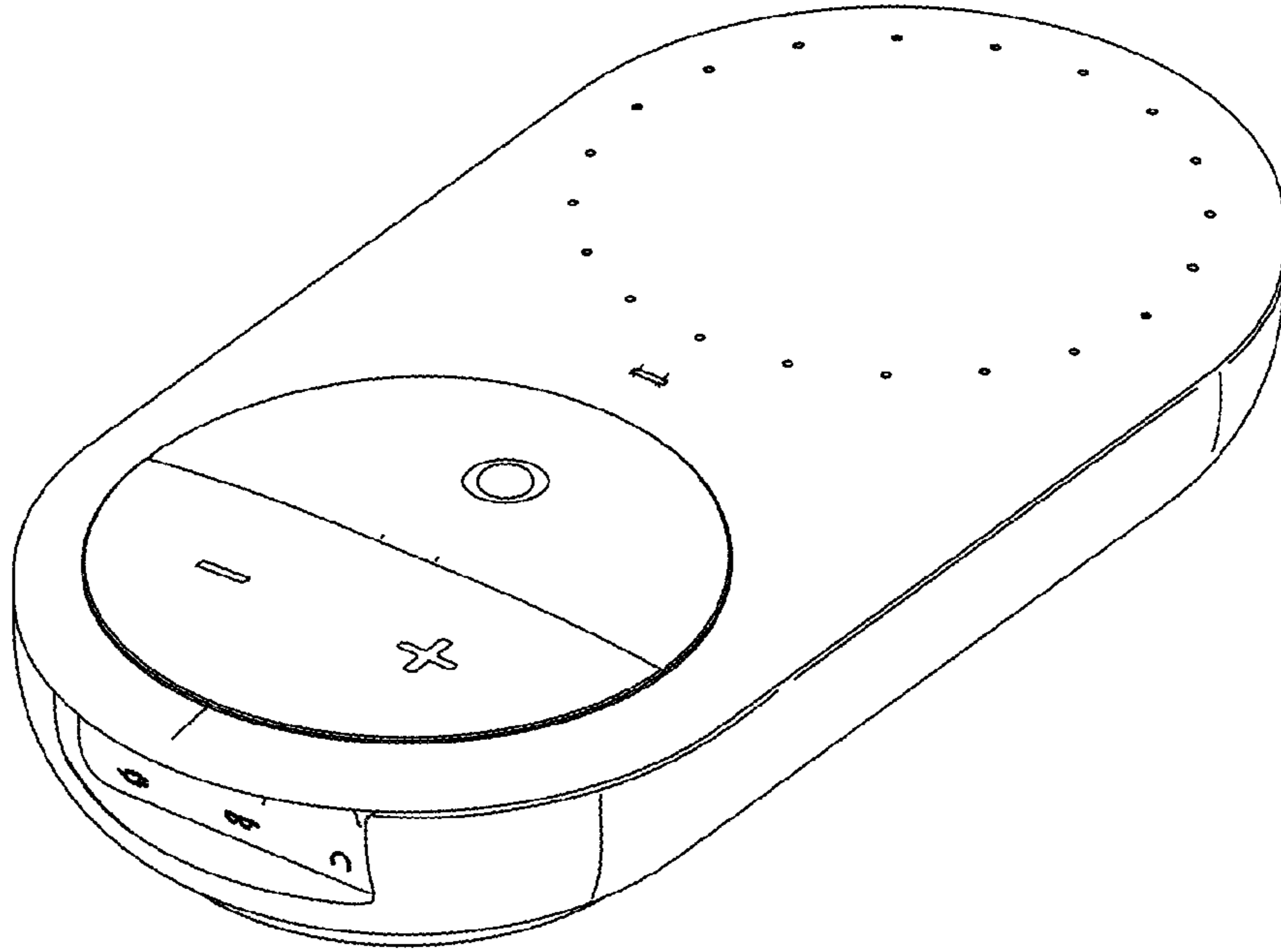


FIG. 1

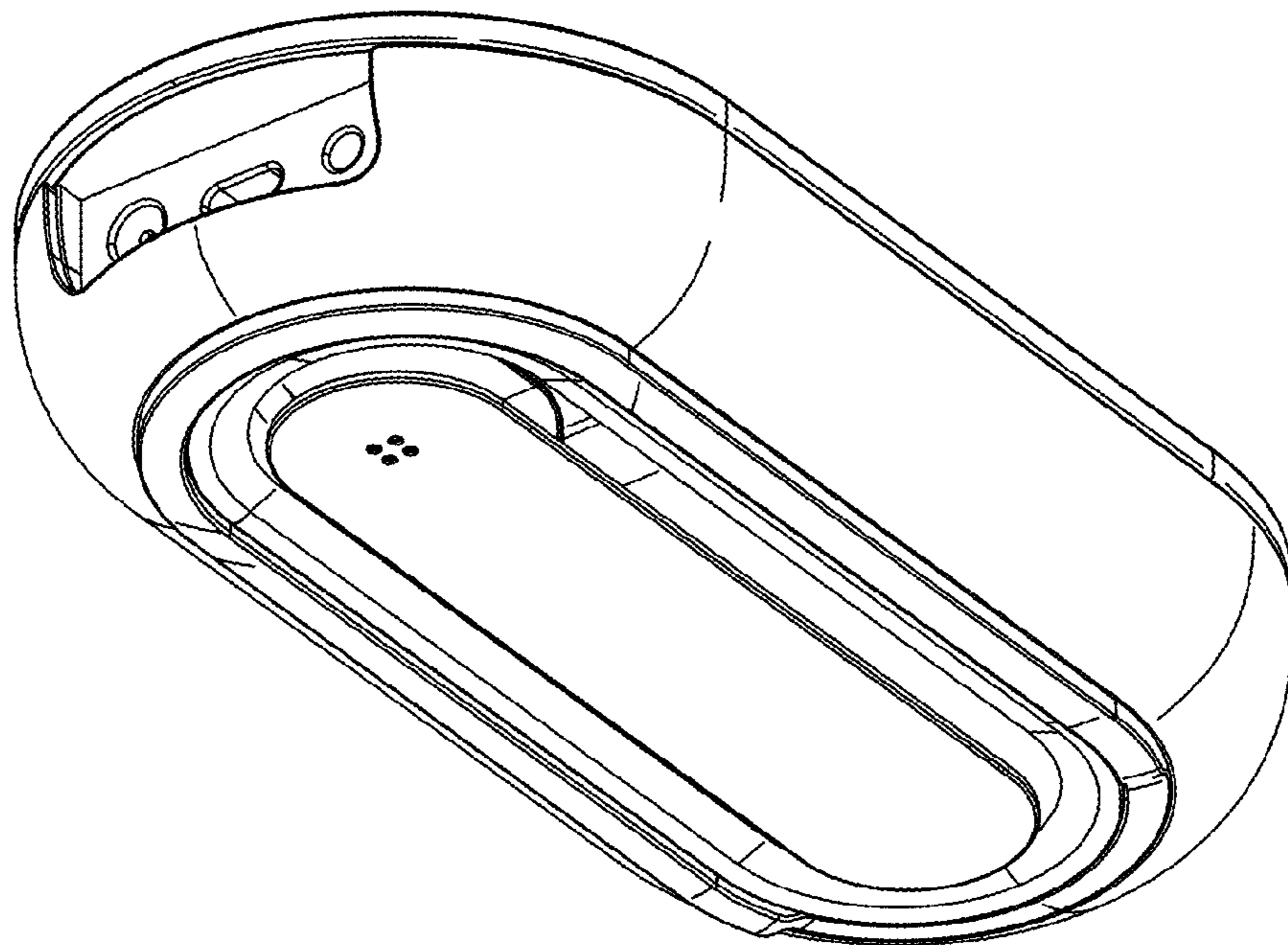


FIG. 2

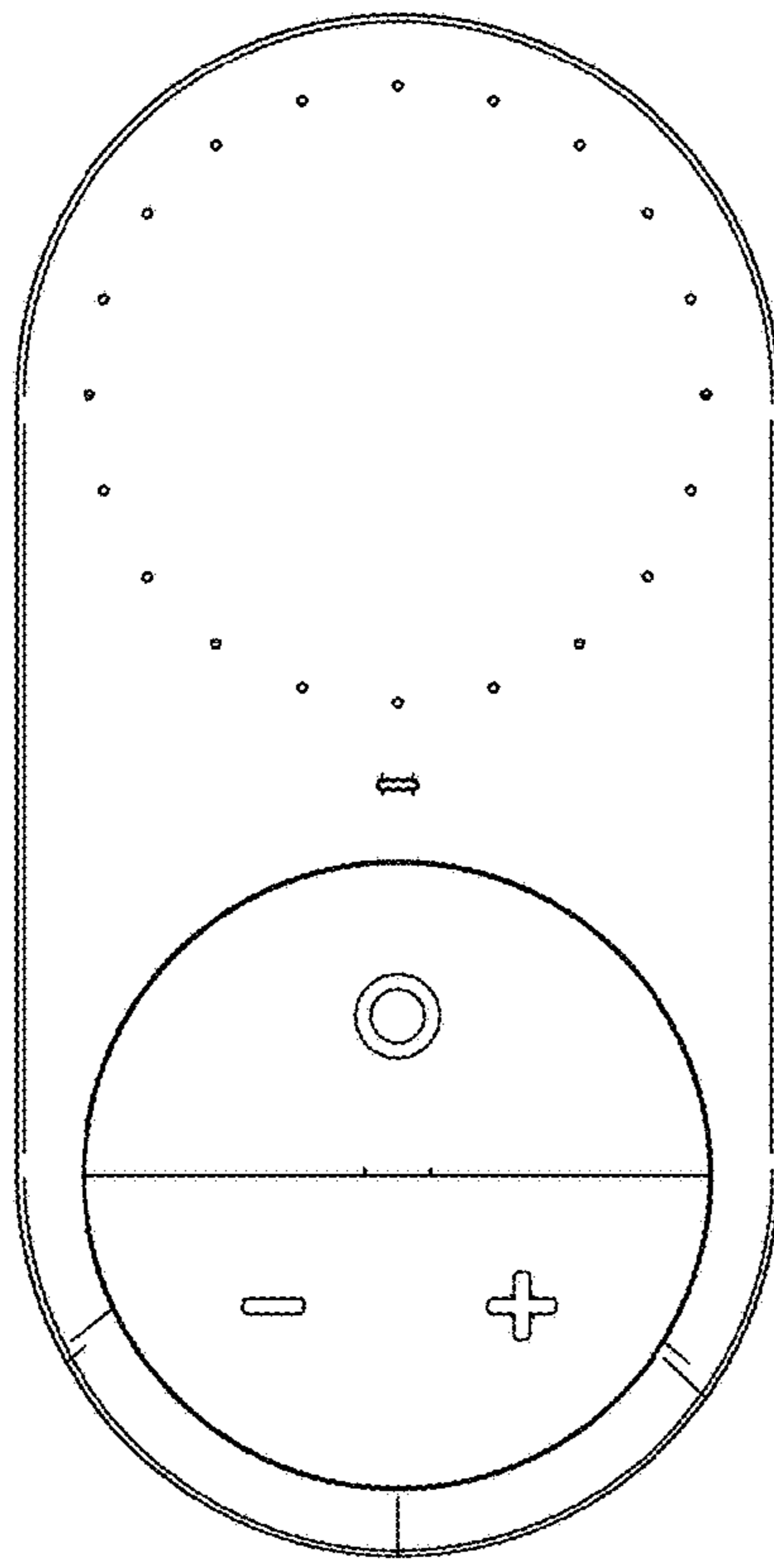


FIG. 3

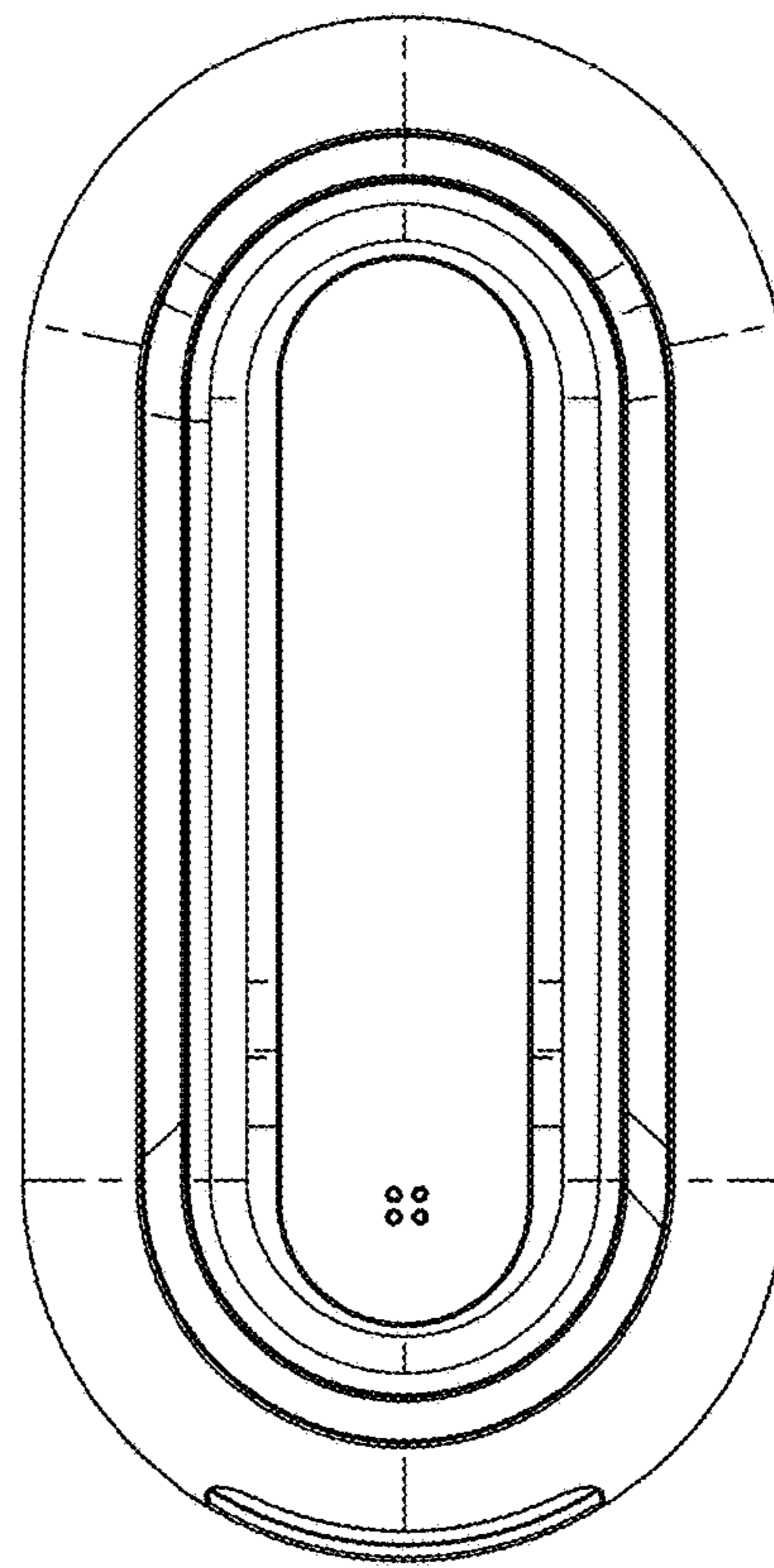


FIG. 4

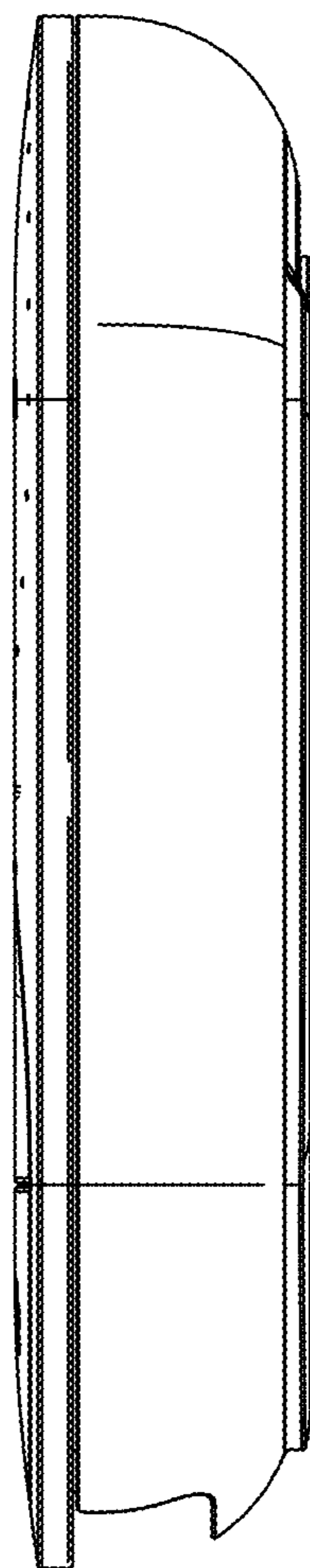


FIG. 5

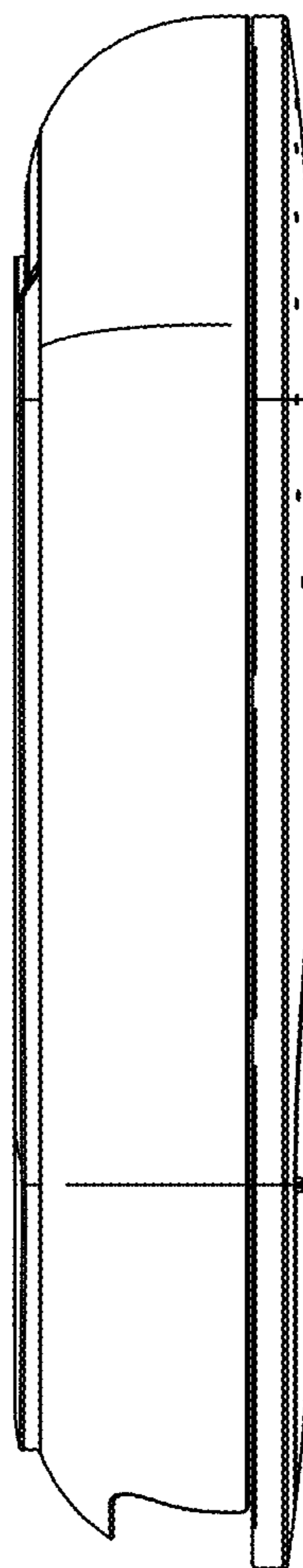


FIG. 6

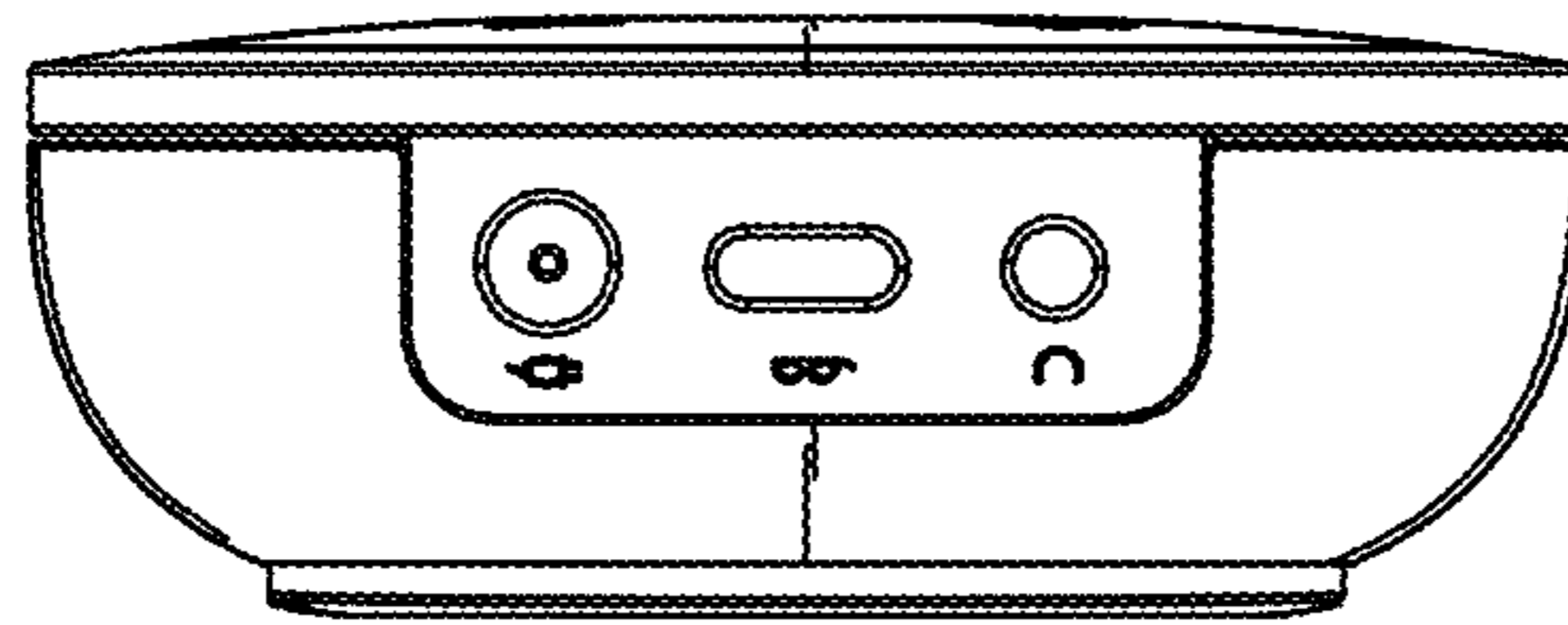


FIG. 7

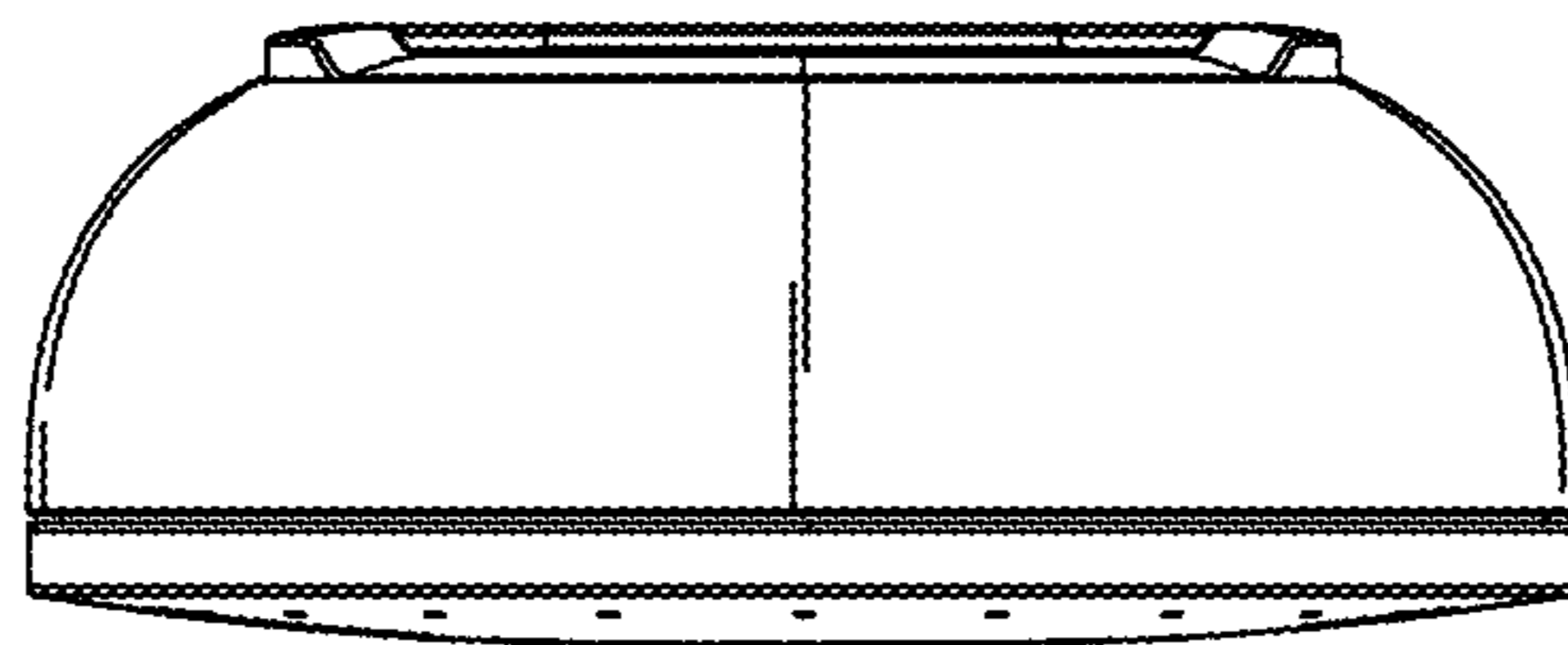


FIG. 8