



US00D815088S

(12) **United States Design Patent**
Fujimoto

(10) **Patent No.:** **US D815,088 S**
(45) **Date of Patent:** **** Apr. 10, 2018**

(54) **COMPUTER**

(74) *Attorney, Agent, or Firm* — Nixon & Vanderhye P.C.

(71) Applicant: **SHARP KABUSHIKI KAISHA,**
Sakai, Osaka (JP)

(57) **CLAIM**

The ornamental design for a “computer,” as shown and described.

(72) Inventor: **Hidetoshi Fujimoto,** Sakai (JP)

(73) Assignee: **SHARP KABUSHIKI KAISHA,**
Sakai, Osaka (JP)

DESCRIPTION

(**) Term: **15 Years**

(21) Appl. No.: **29/591,660**

(22) Filed: **Jan. 23, 2017**

(30) **Foreign Application Priority Data**

Jul. 21, 2016 (JP) 2016-015490

(51) **LOC (11) Cl.** **14-02**

(52) **U.S. Cl.**
USPC **D14/316**

(58) **Field of Classification Search**
USPC D14/315–327; D18/1, 2, 7, 11;
235/145 A, 145 R; 341/22, 23; 345/104,
(Continued)

(56) **References Cited**

U.S. PATENT DOCUMENTS

7,239,505 B2 * 7/2007 Keely G06F 1/1616
361/679.09
D588,126 S * 3/2009 Chiang D14/345
(Continued)

OTHER PUBLICATIONS

Design U.S. Appl. No. 29/591,661, filed Jan. 23, 2017, entitled
“Mobile Information Terminal”.

(Continued)

Primary Examiner — Freda S Nunn

FIG. 1 is a front, right perspective view of the computer in a first configuration shown in a state of use as a notebook computer;
FIG. 2 is a front, right perspective view thereof in a second configuration in a closed position;
FIG. 3 is a front right perspective view thereof in a third configuration shown in a state of use as a large touch screen panel;
FIG. 4 is a front right perspective view thereof in a fourth configuration shown in a state of use as a flat touch screen panel;
FIG. 5 is a front right perspective view thereof in a fifth configuration shown in a state of use as a tablet computer;
FIG. 6 is a front right perspective view thereof in a sixth configuration shown in a state of use as a double-sided computer;
FIG. 7 is a front elevation view of the computer in the configuration of FIG. 1;
FIG. 8 is a rear elevation view thereof;
FIG. 9 is a top plan view thereof;
FIG. 10 is a bottom plan view thereof;
FIG. 11 is a right side elevation view thereof;
FIG. 12 is a left side elevation view thereof;
FIG. 13 is a right side cross-sectional view thereof taken along line 13-13 of FIG. 9;
FIG. 14 is a right side view thereof wherein the keyboard and display are rotated;
FIG. 15 is a front perspective view of the computer in the configuration of FIG. 1;
FIG. 16 is a front right perspective view computer in the configuration of FIG. 3;
FIG. 17 a front right perspective view computer in the configuration of FIG. 4;
FIG. 18 a front right perspective view computer in the configuration of FIG. 5; and,

(Continued)

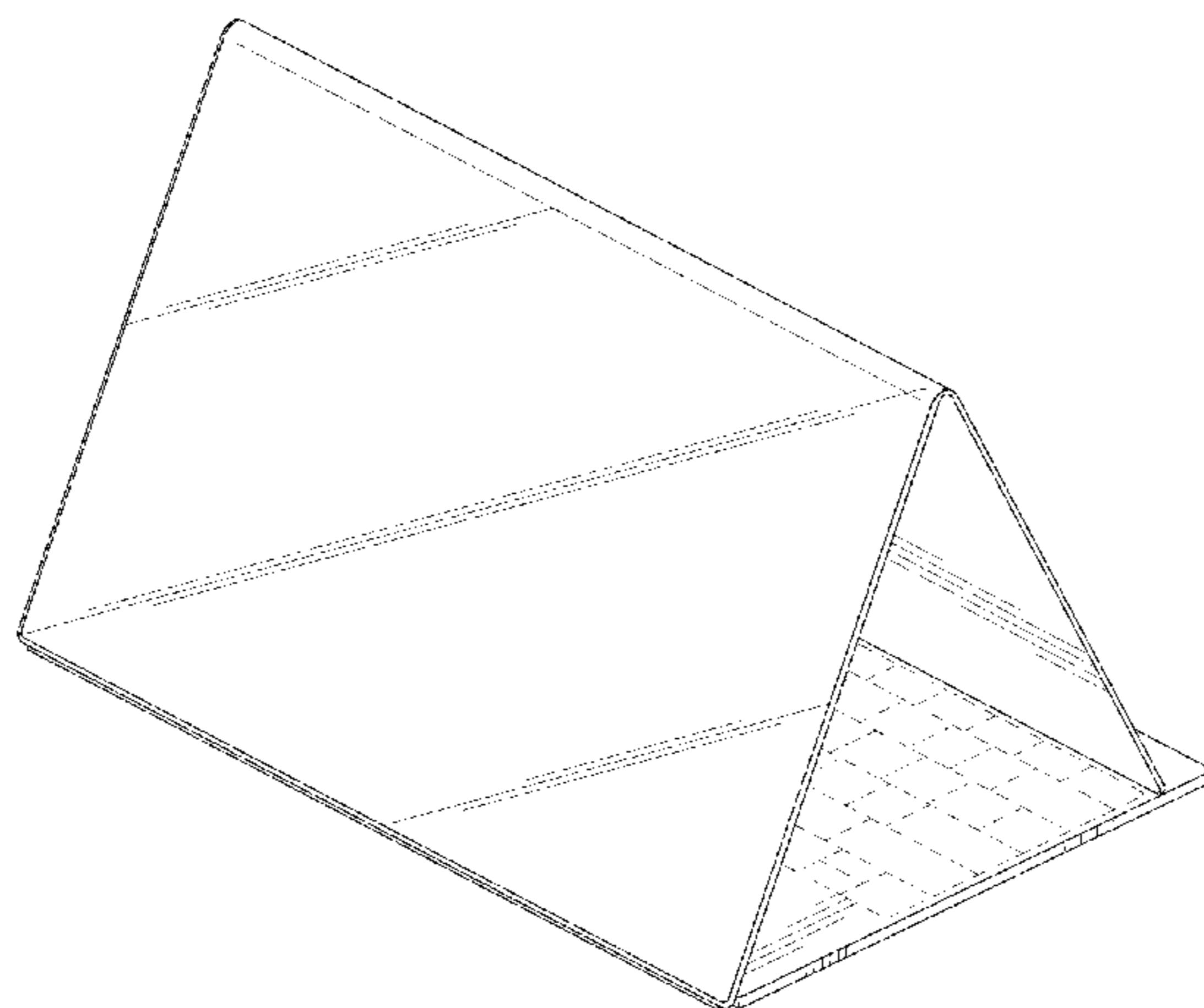


FIG. 19 a front right perspective view computer in the configuration of FIG. 6.

Broken lines shown in the drawings represent environment only and form no part of the claimed design.

1 Claim, 19 Drawing Sheets

(58) **Field of Classification Search**

USPC 345/156, 168, 169, 173; 361/679.08,
 361/679.09, 679.11, 679.26, 679.27
 CPC G06F 1/16; G06F 1/1616; G06F 1/1626;
 G06F 1/1632; G06F 1/1613; G06F
 1/1601; G06F 1/1618; G06F 1/162; G06F
 1/166; G06F 1/1654; G06F 1/1681; G06F
 1/1637; G06F 1/1688; G06F 1/1656;
 H01R 35/02; H03M 11/00; G09B 13/04;
 H03K 17/94; G09G 5/00; F16M 11/10;
 H05K 5/00; H04M 1/0237

See application file for complete search history.

(56)

References Cited

U.S. PATENT DOCUMENTS

D679,705	S	*	4/2013	McManigal	D14/318
D708,177	S	*	7/2014	Honda	D14/316
D717,791	S	*	11/2014	Yun	D14/316
D719,148	S	*	12/2014	Kim	D14/315
D724,077	S	*	3/2015	Hallar	D14/327
D742,871	S	*	11/2015	Schoenith	D14/315
D761,249	S	*	7/2016	Liang	D14/315
2003/0112590	A1	*	6/2003	Shimano	G06F 1/162 361/679.06
2006/0038795	A1	*	2/2006	Lee	E05B 65/006 345/173
2008/0024388	A1	*	1/2008	Bruce	G06F 1/1616 345/1.1

OTHER PUBLICATIONS

Design U.S. Appl. No. 29/591,796, filed Jan. 24, 2017, entitled
 "Handheld Electronic Device".

* cited by examiner

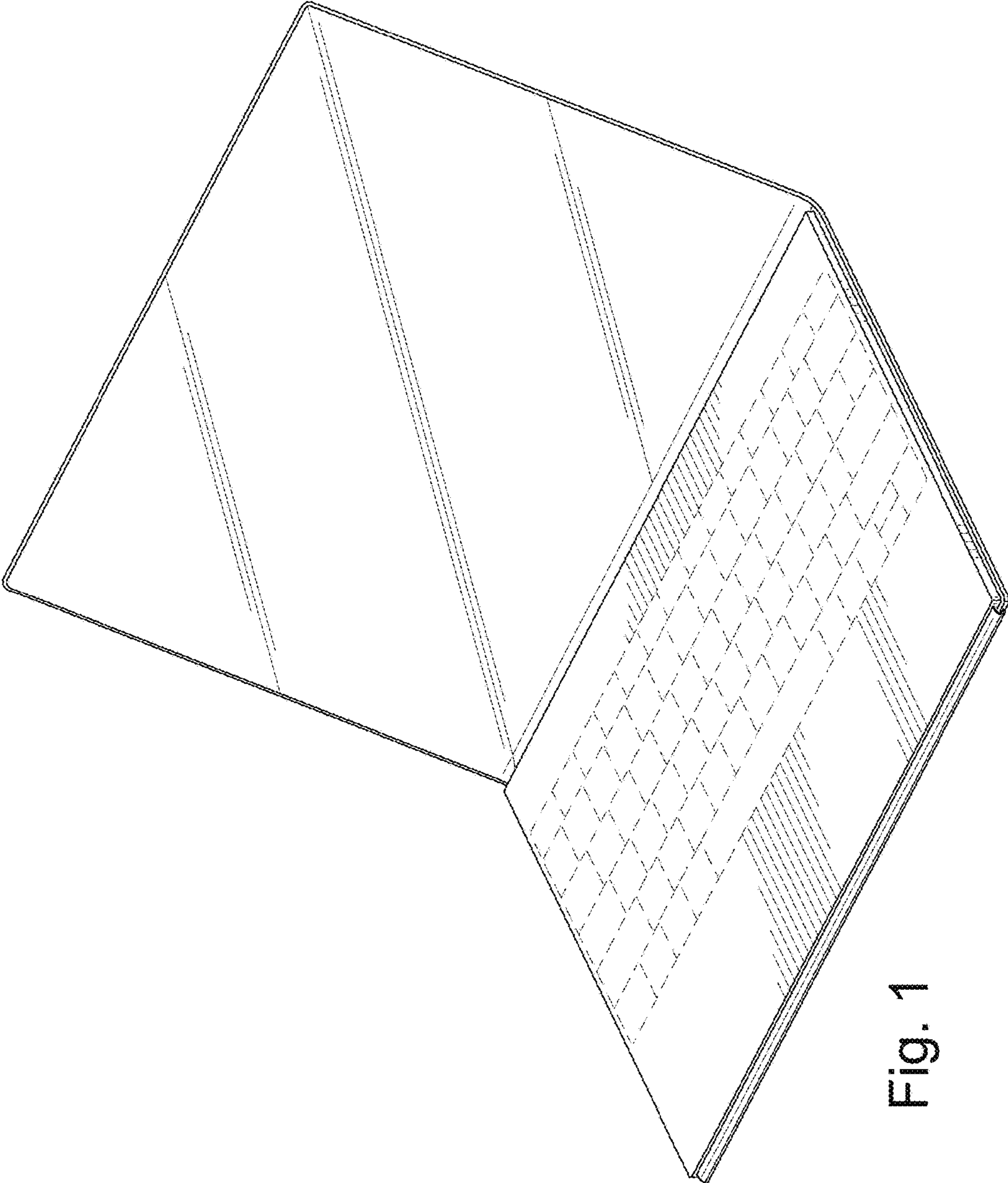


Fig. 1

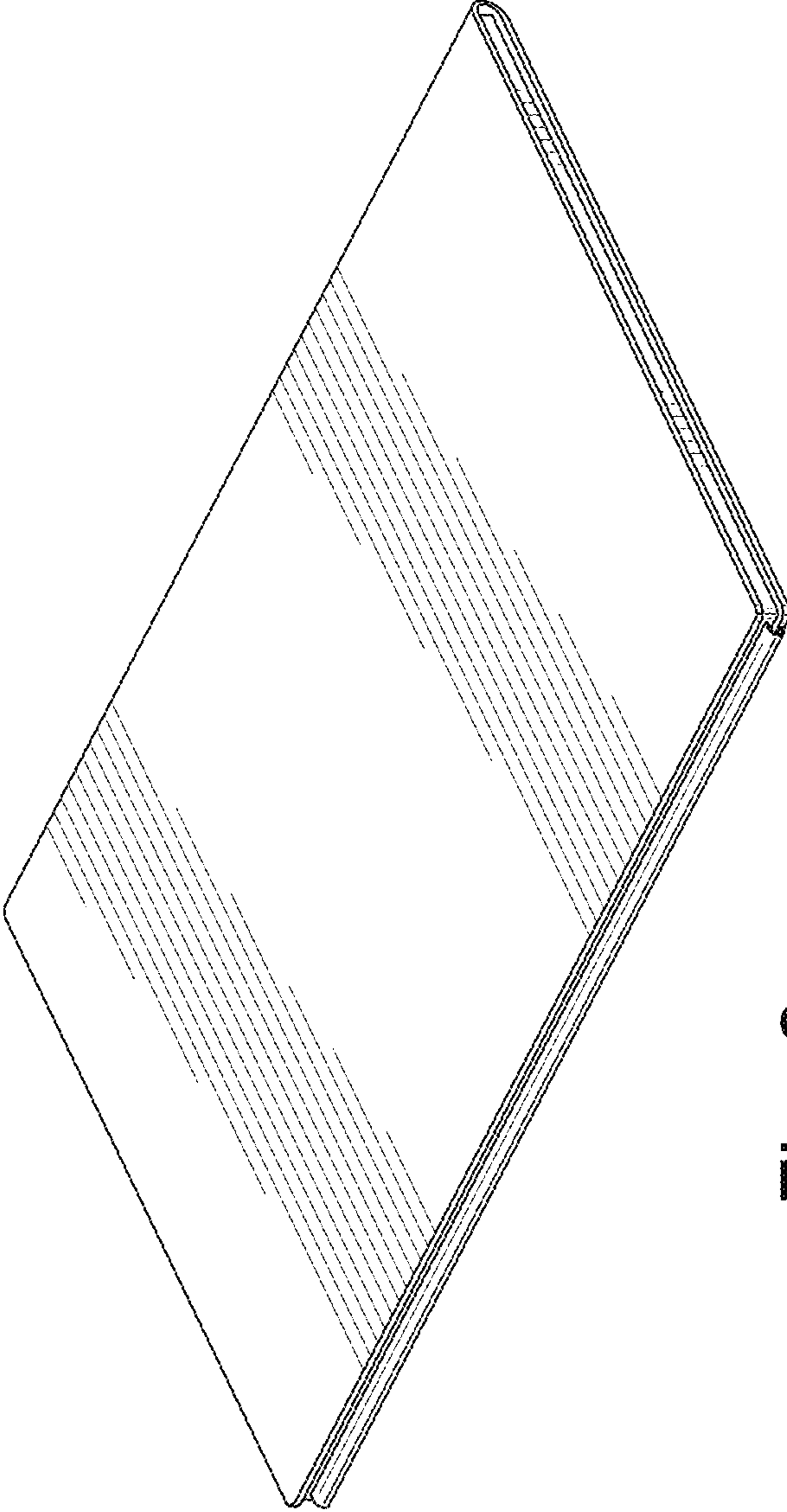


Fig. 2

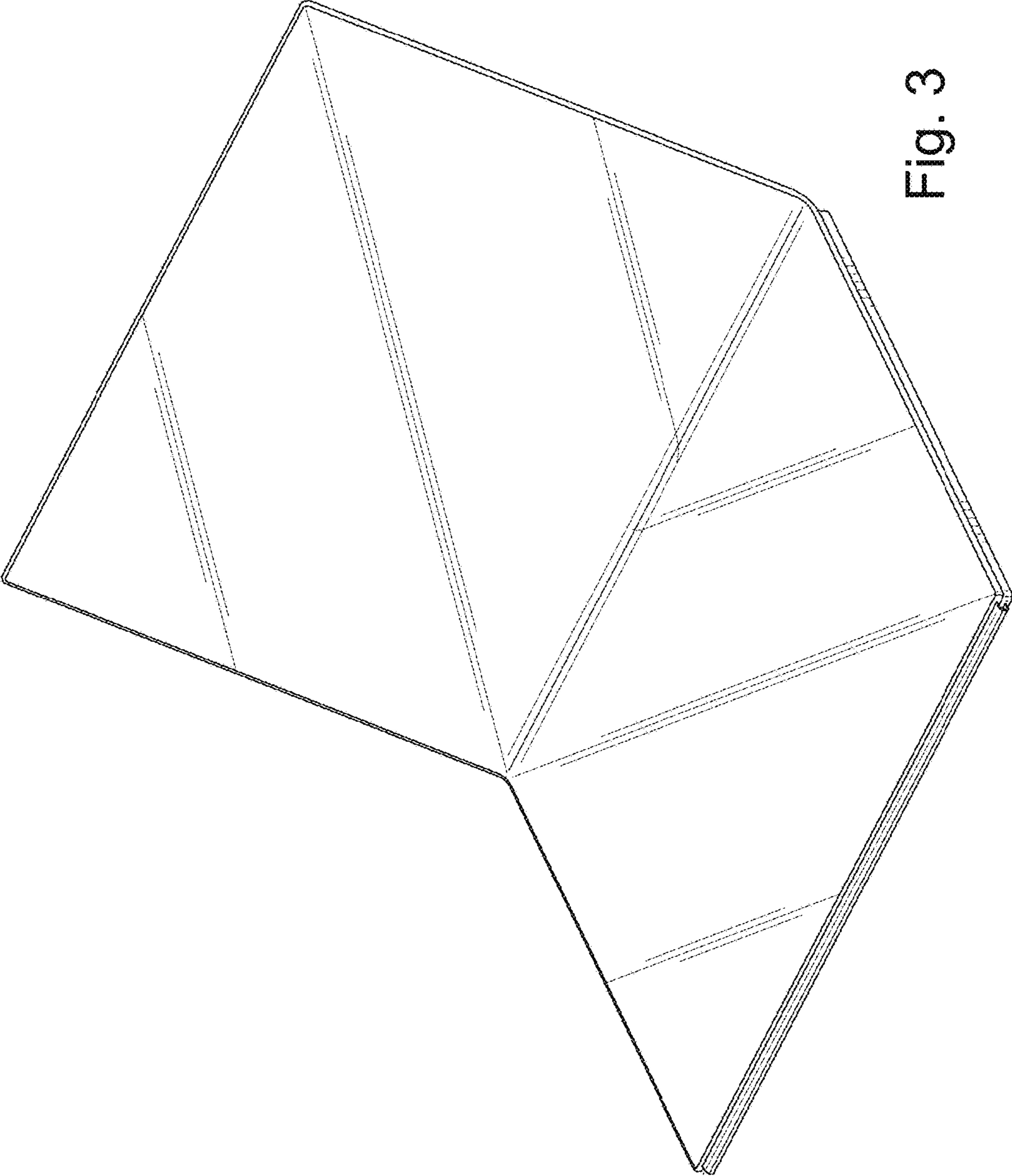


Fig. 3

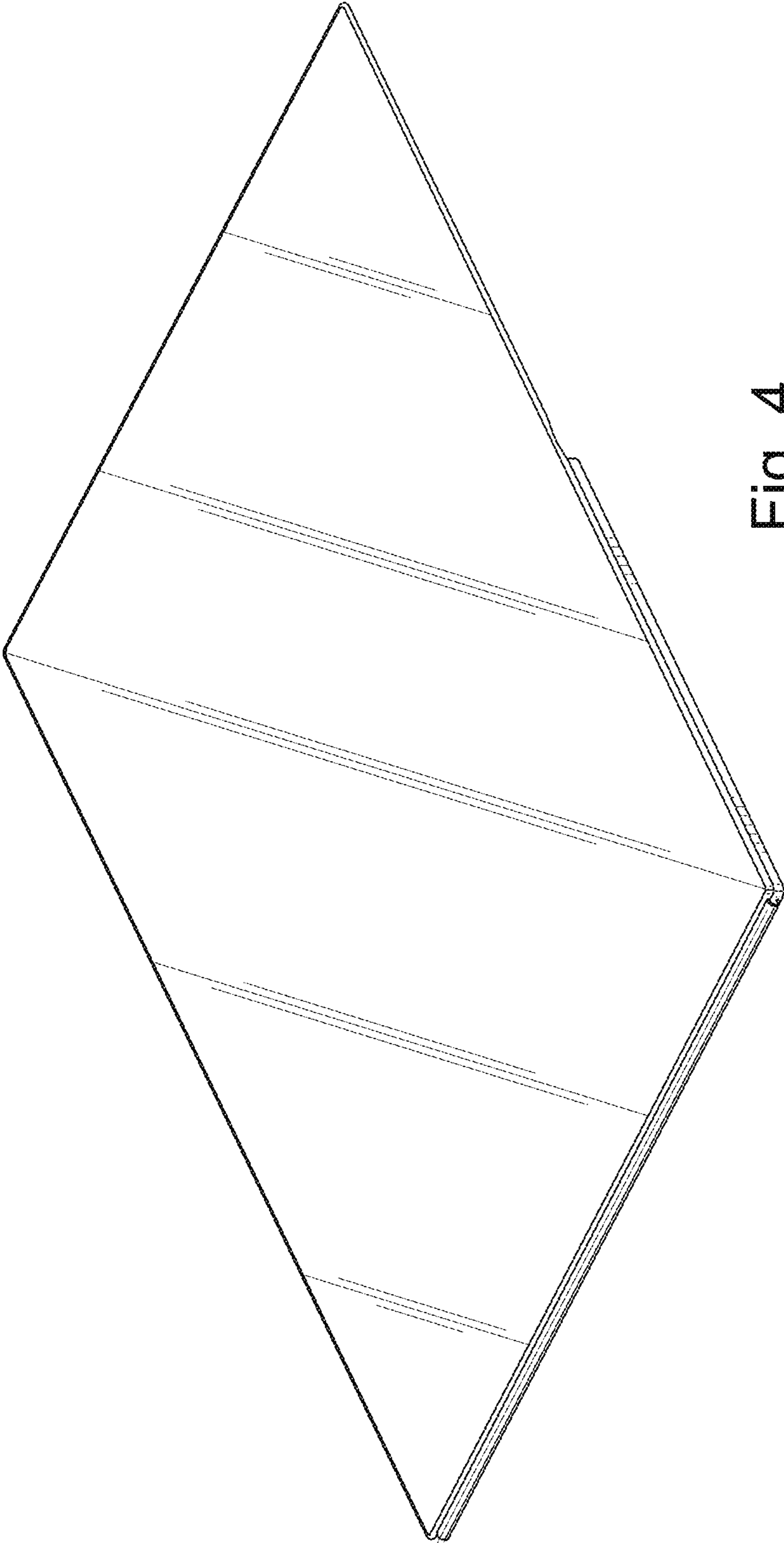


Fig. 4

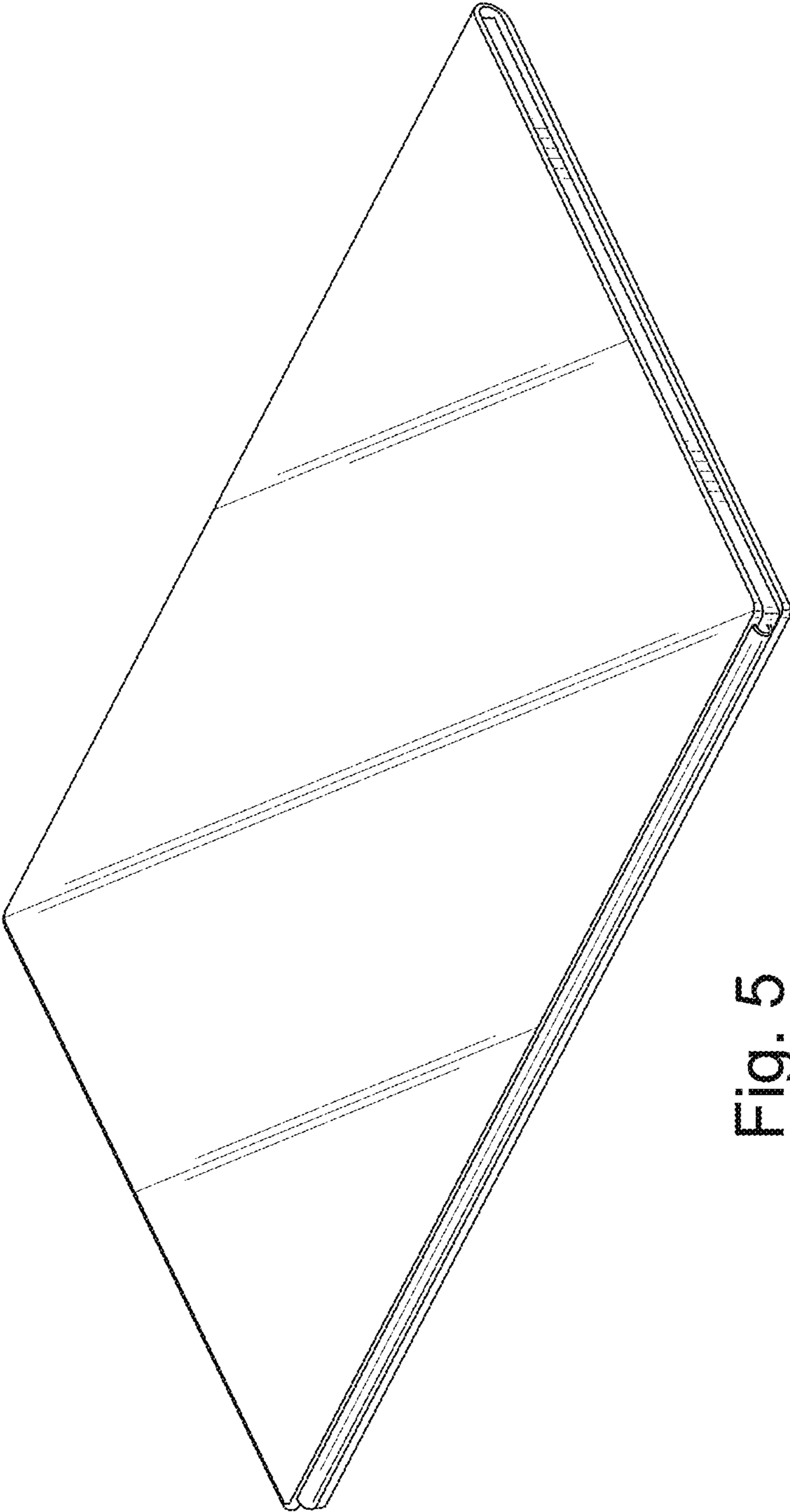


Fig. 5

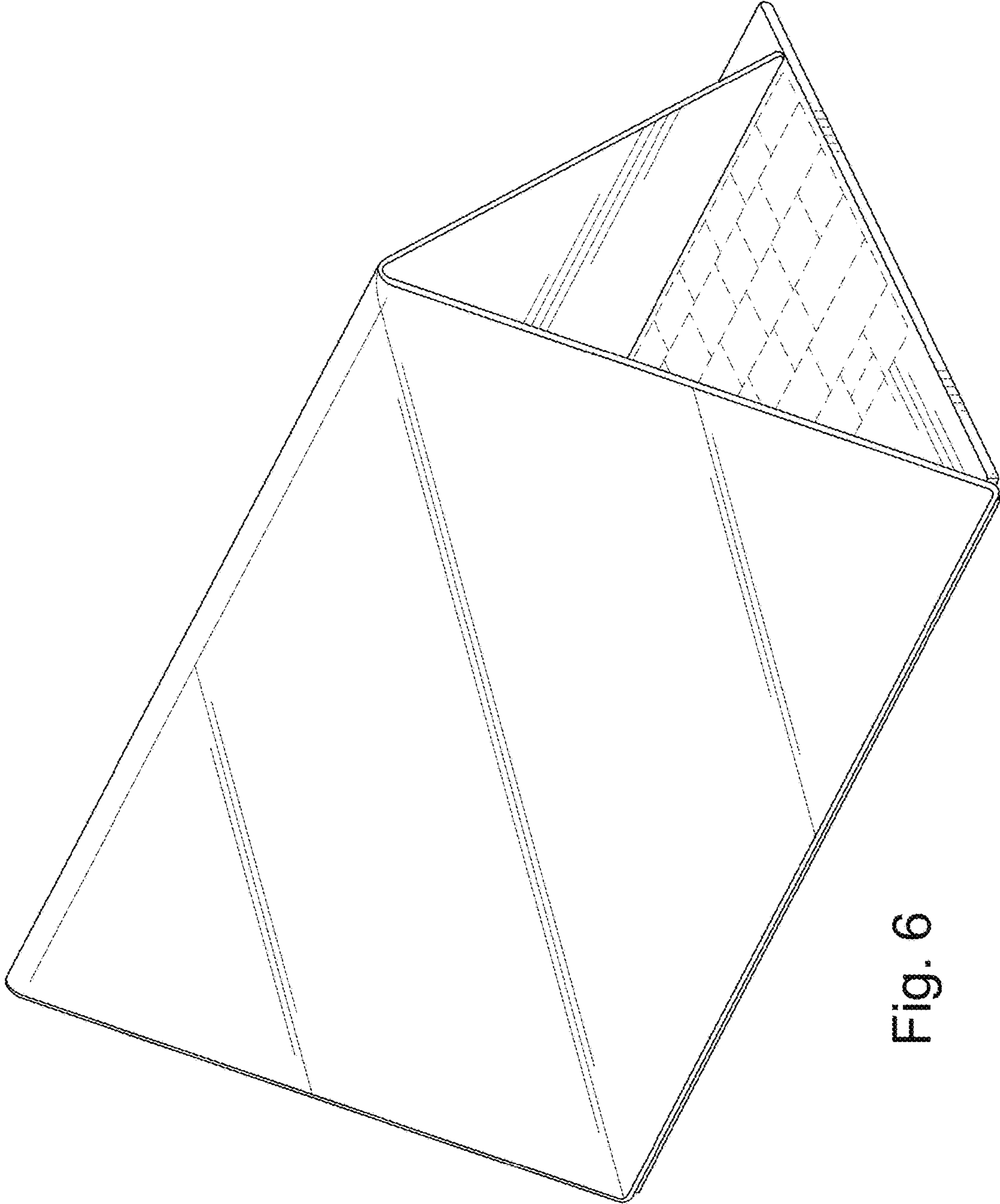


Fig. 6

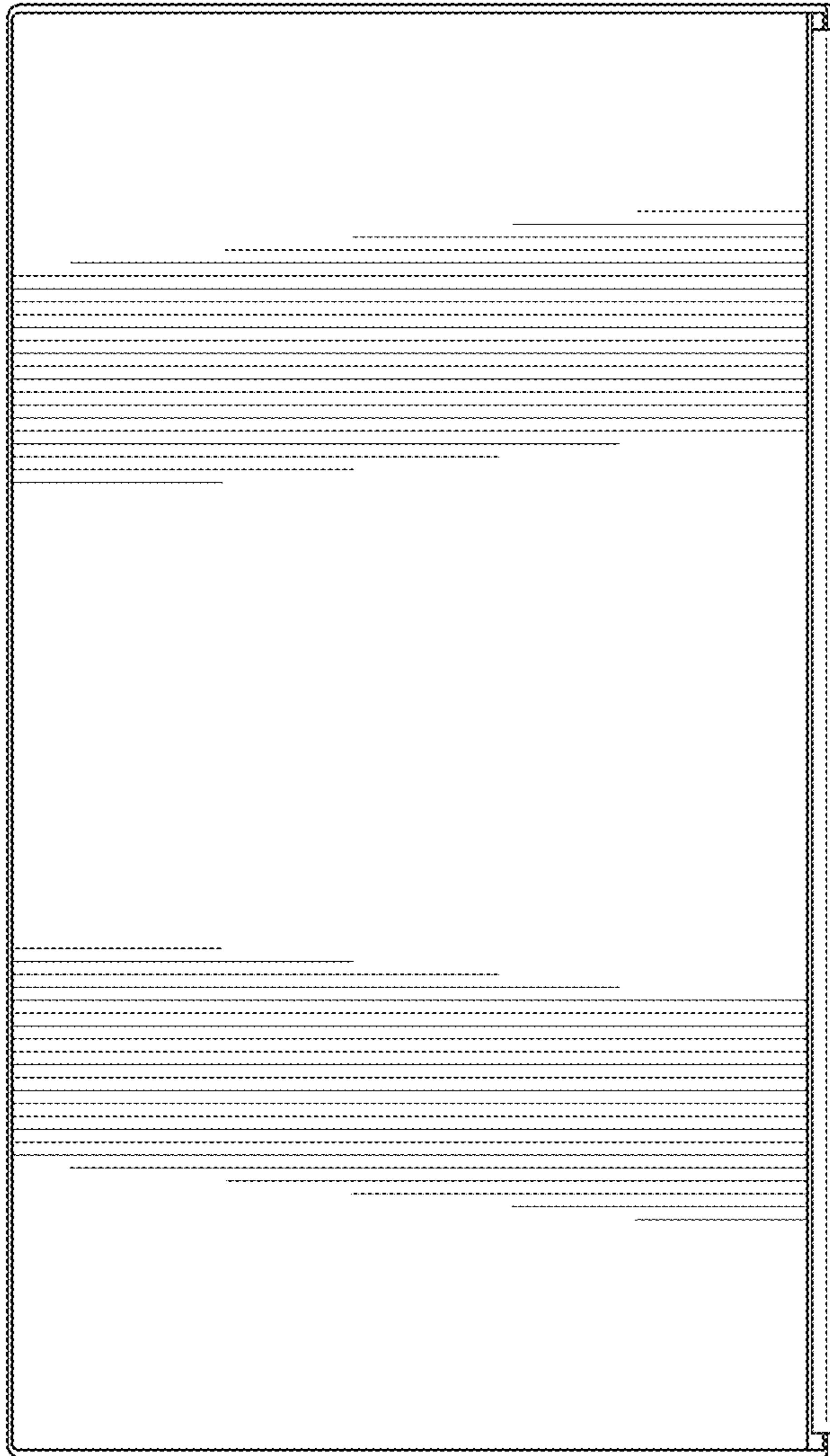


Fig. 7

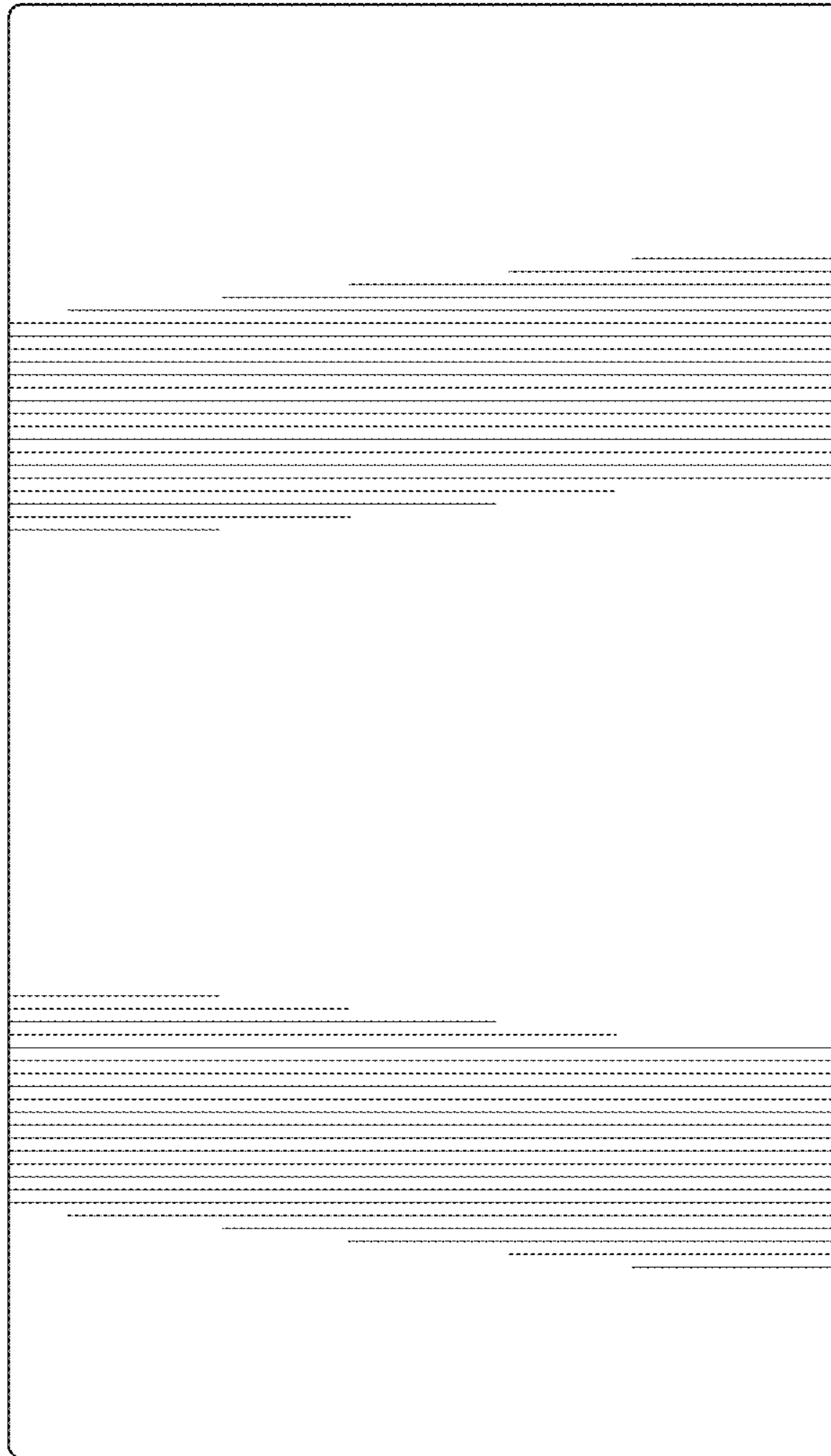


Fig. 8

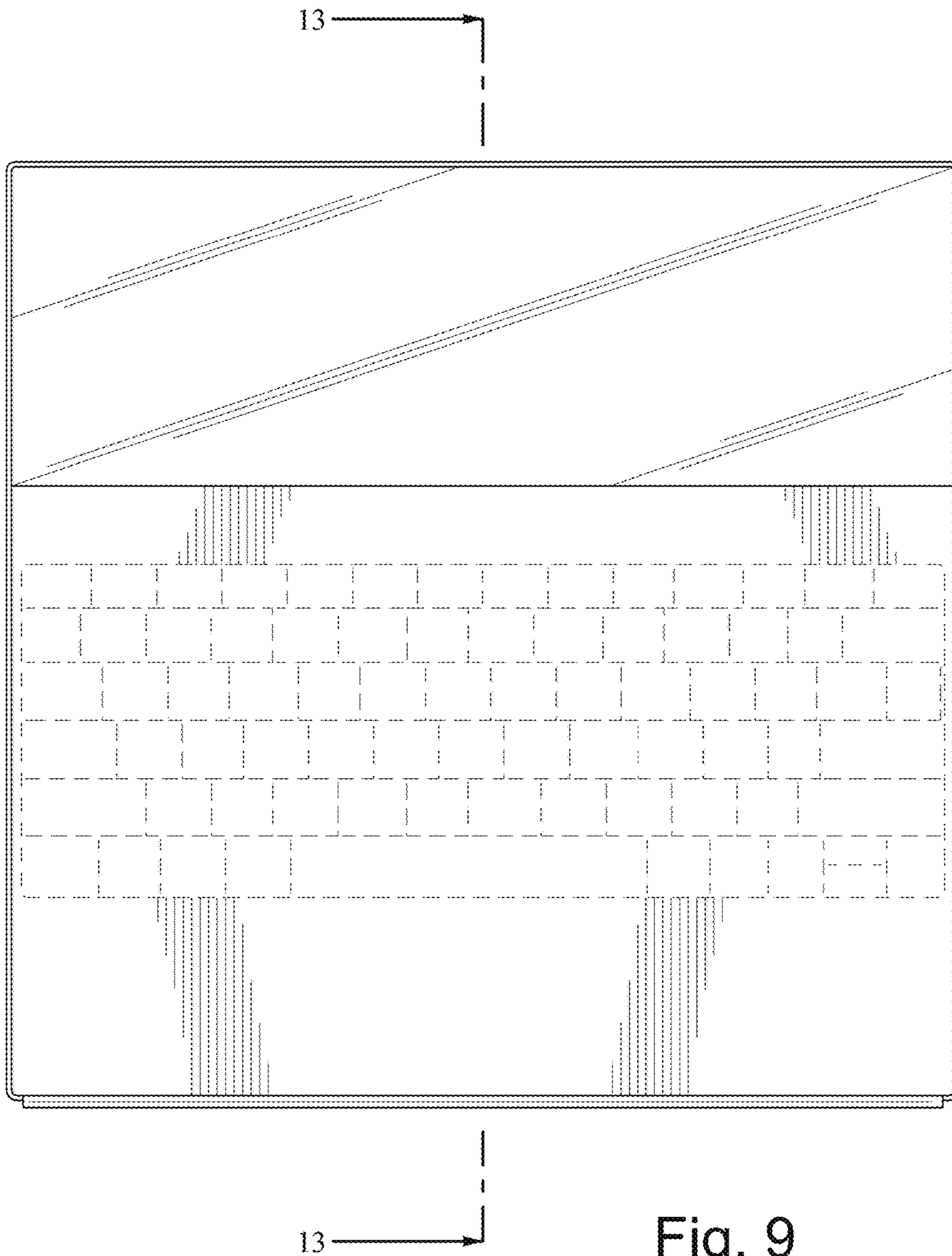


Fig. 9

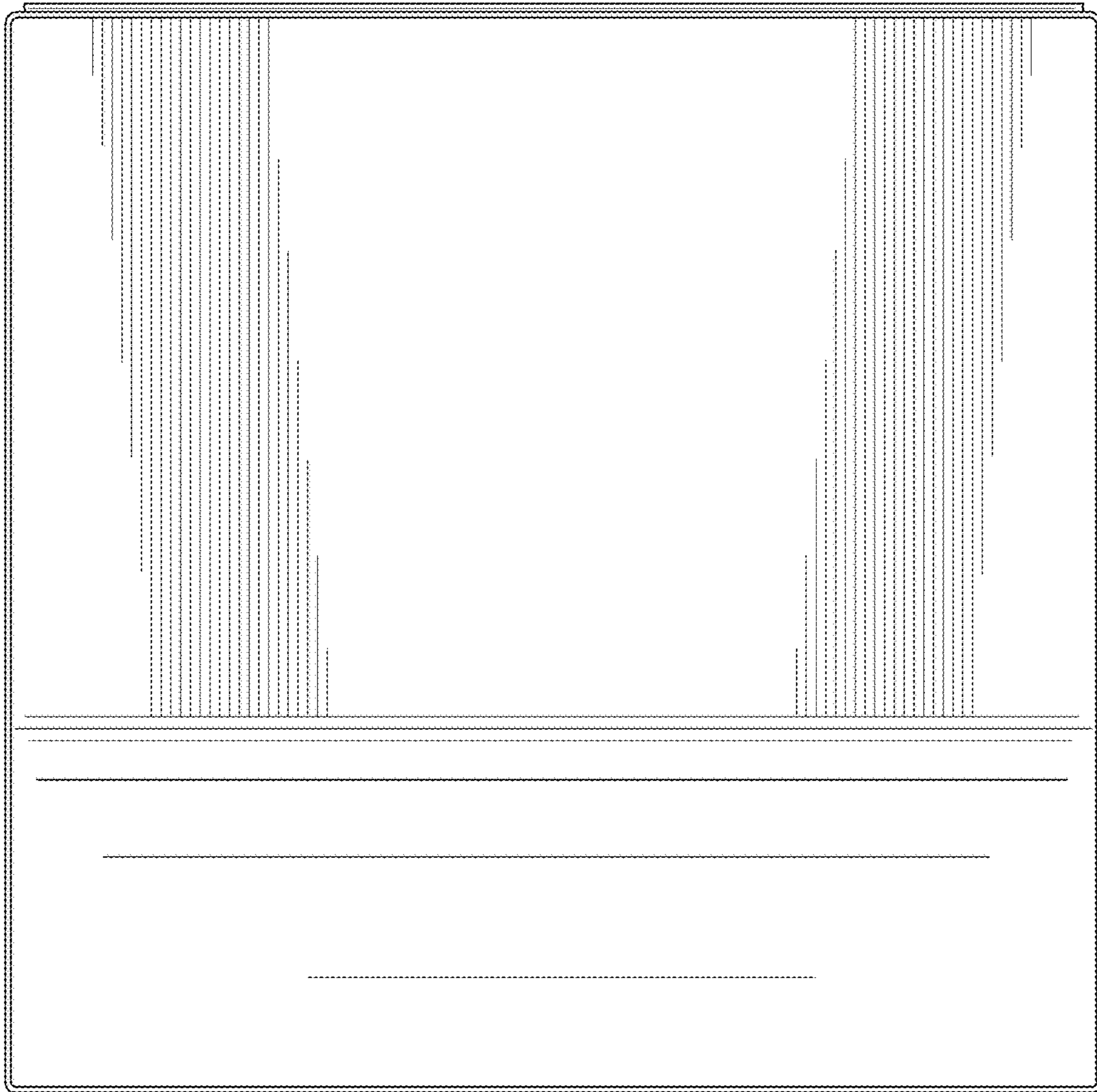


Fig. 10

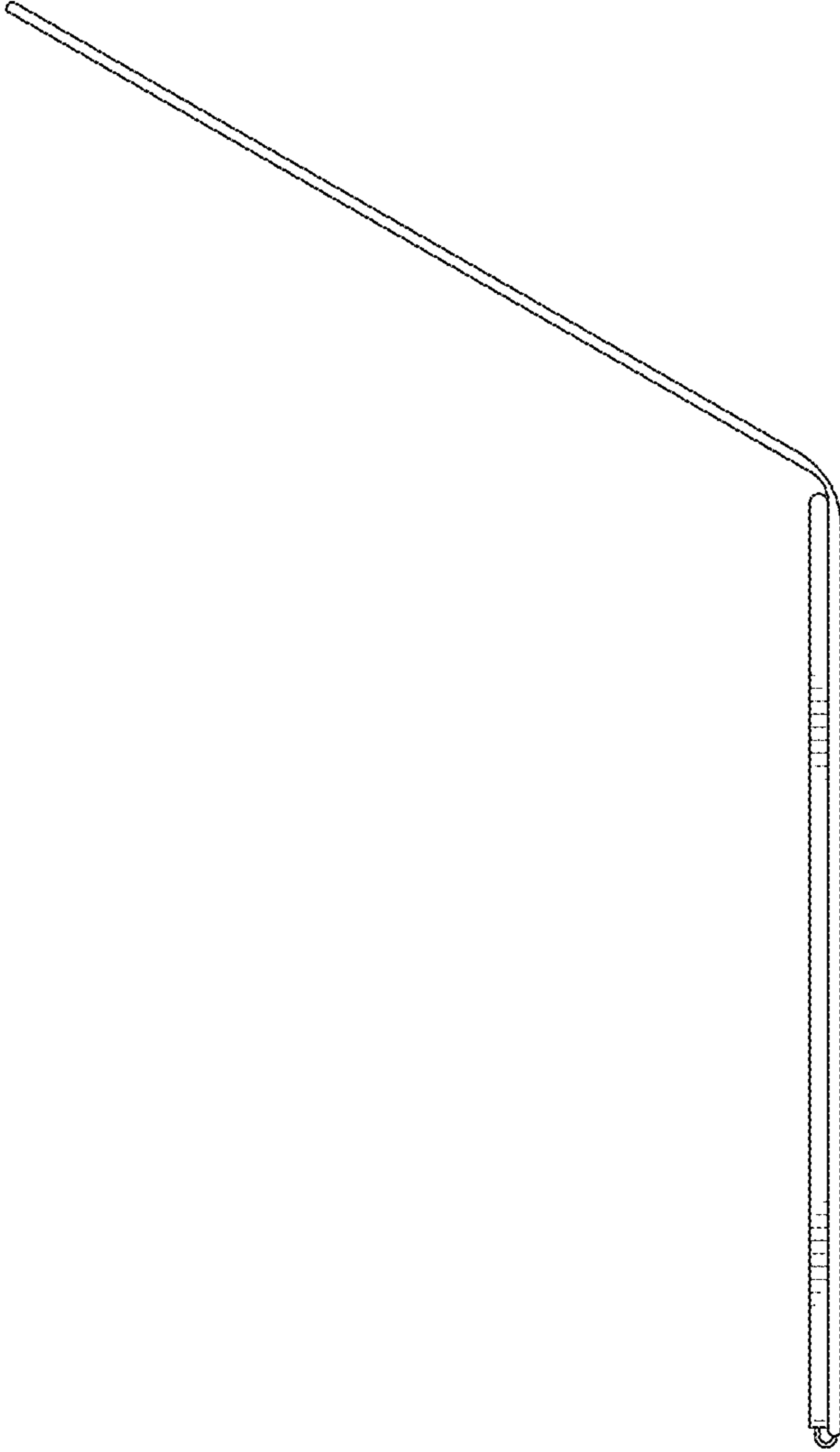


Fig. 11

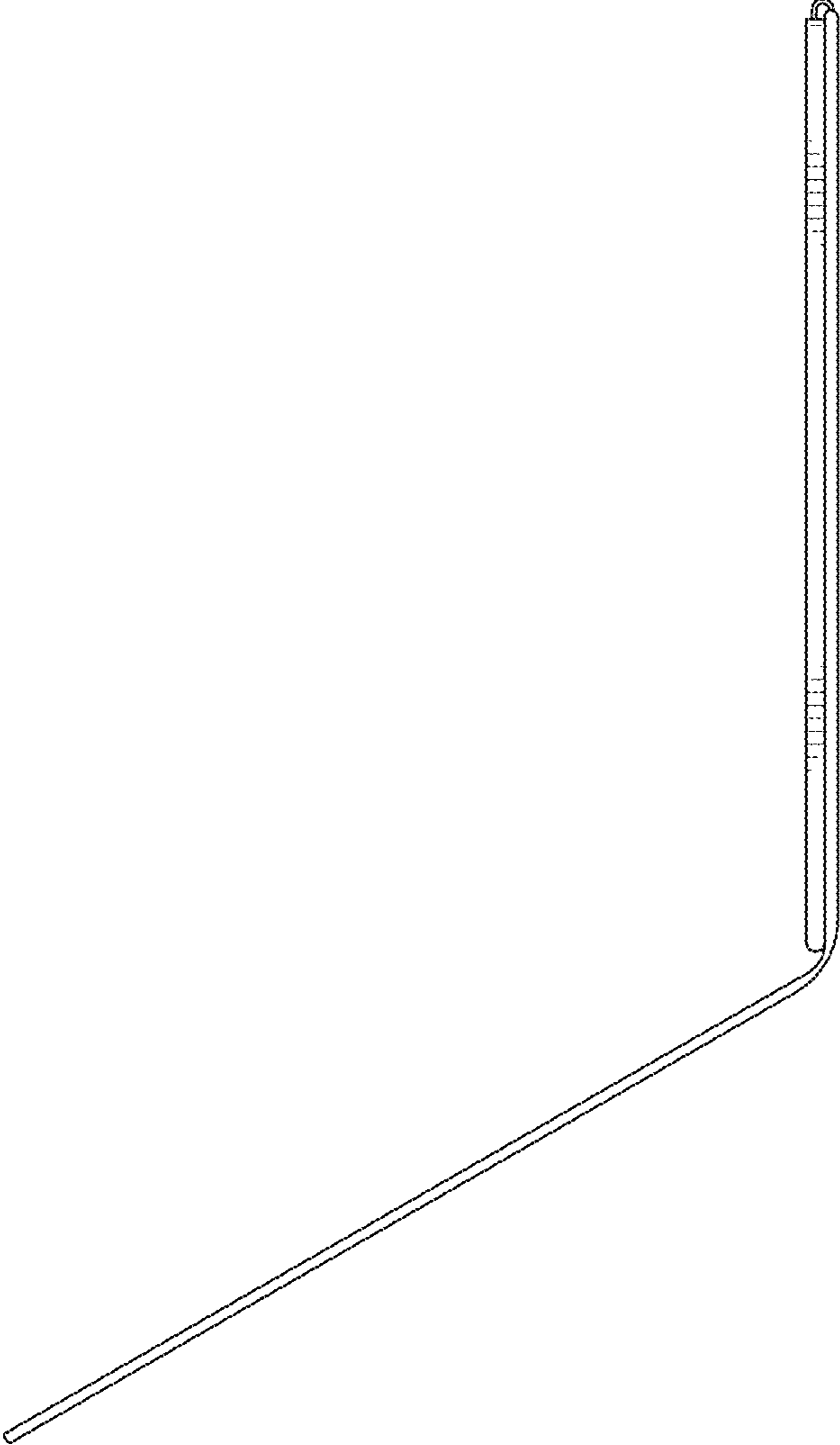


Fig. 12

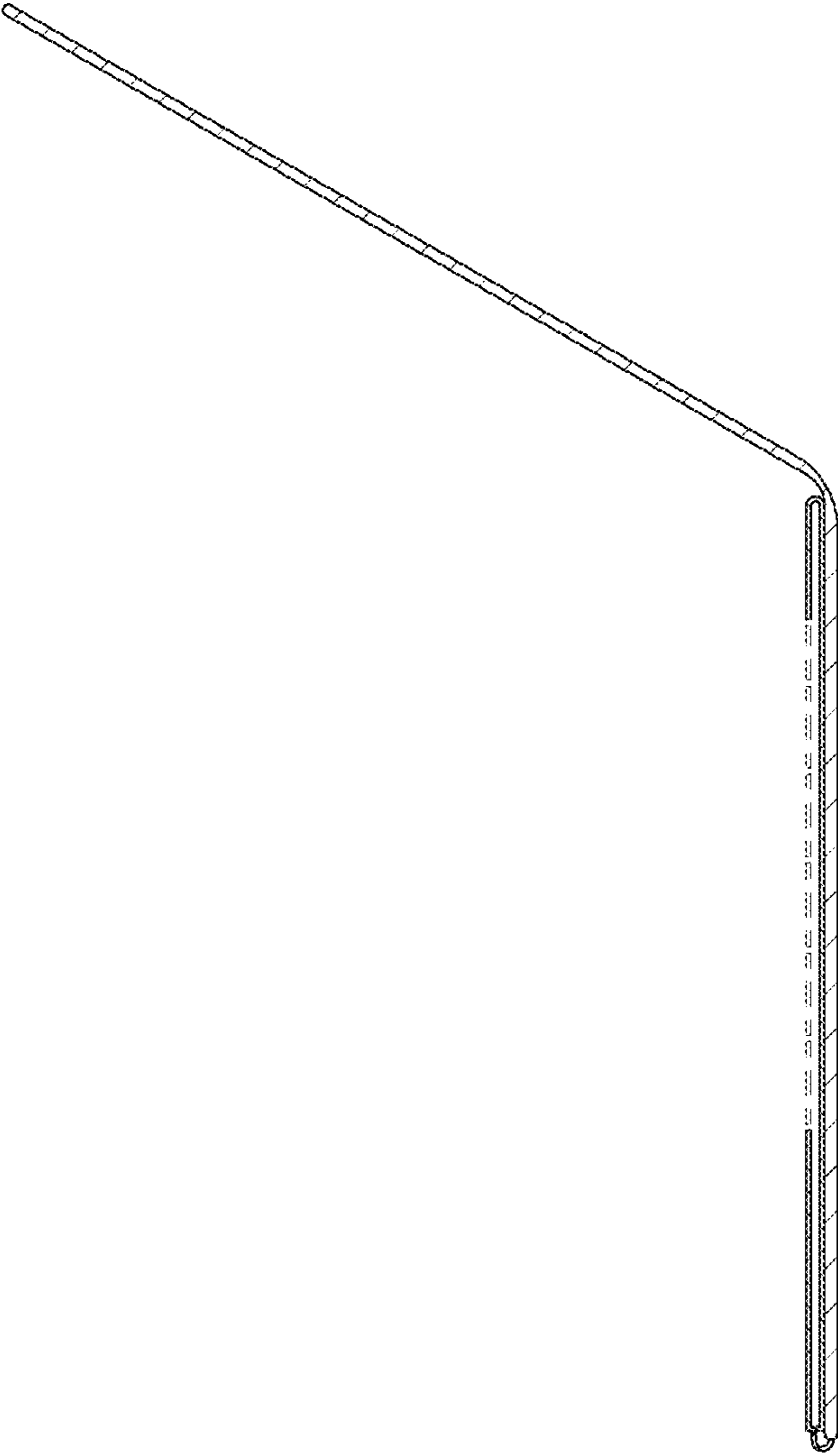


Fig. 13

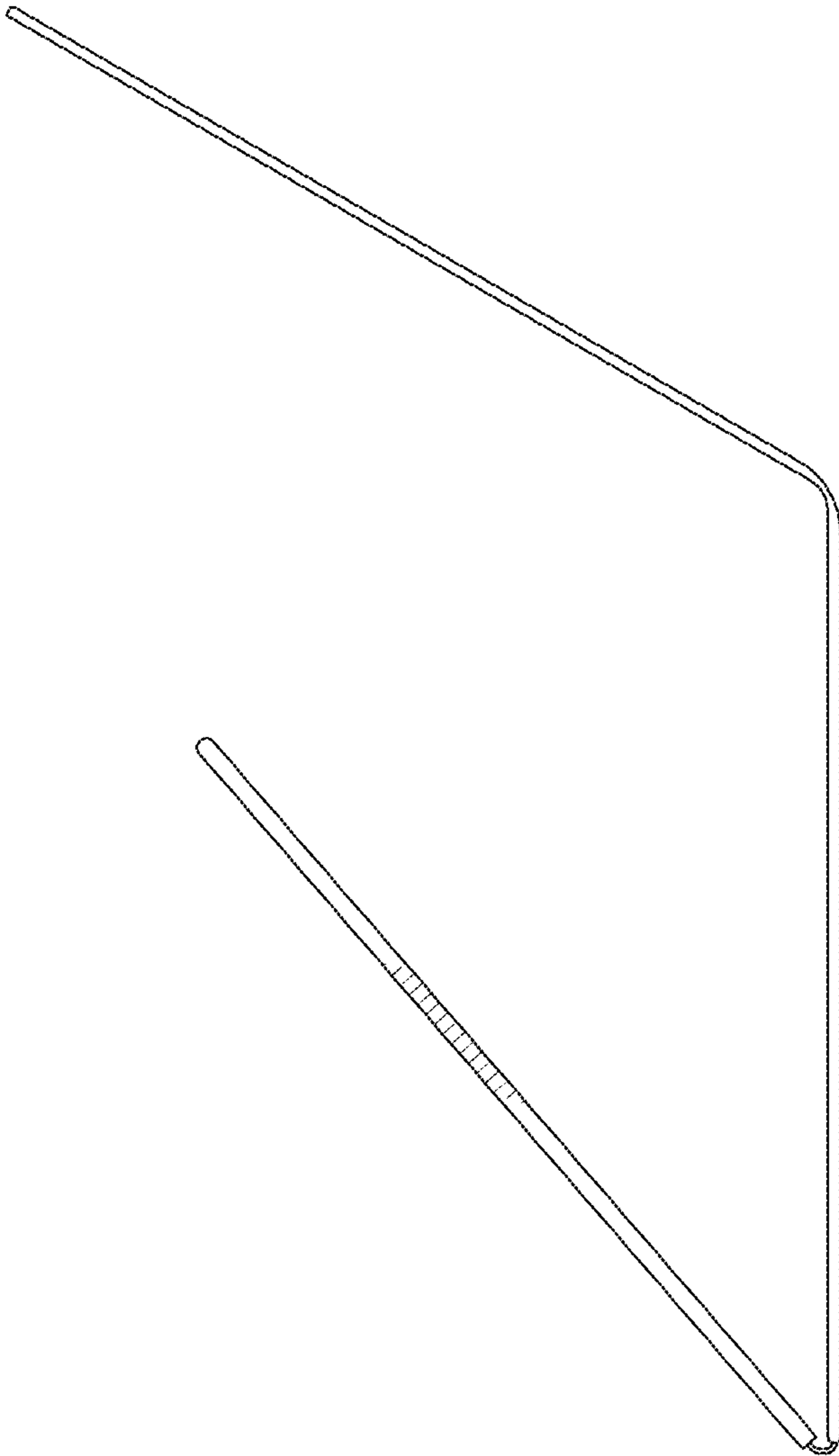


Fig. 14

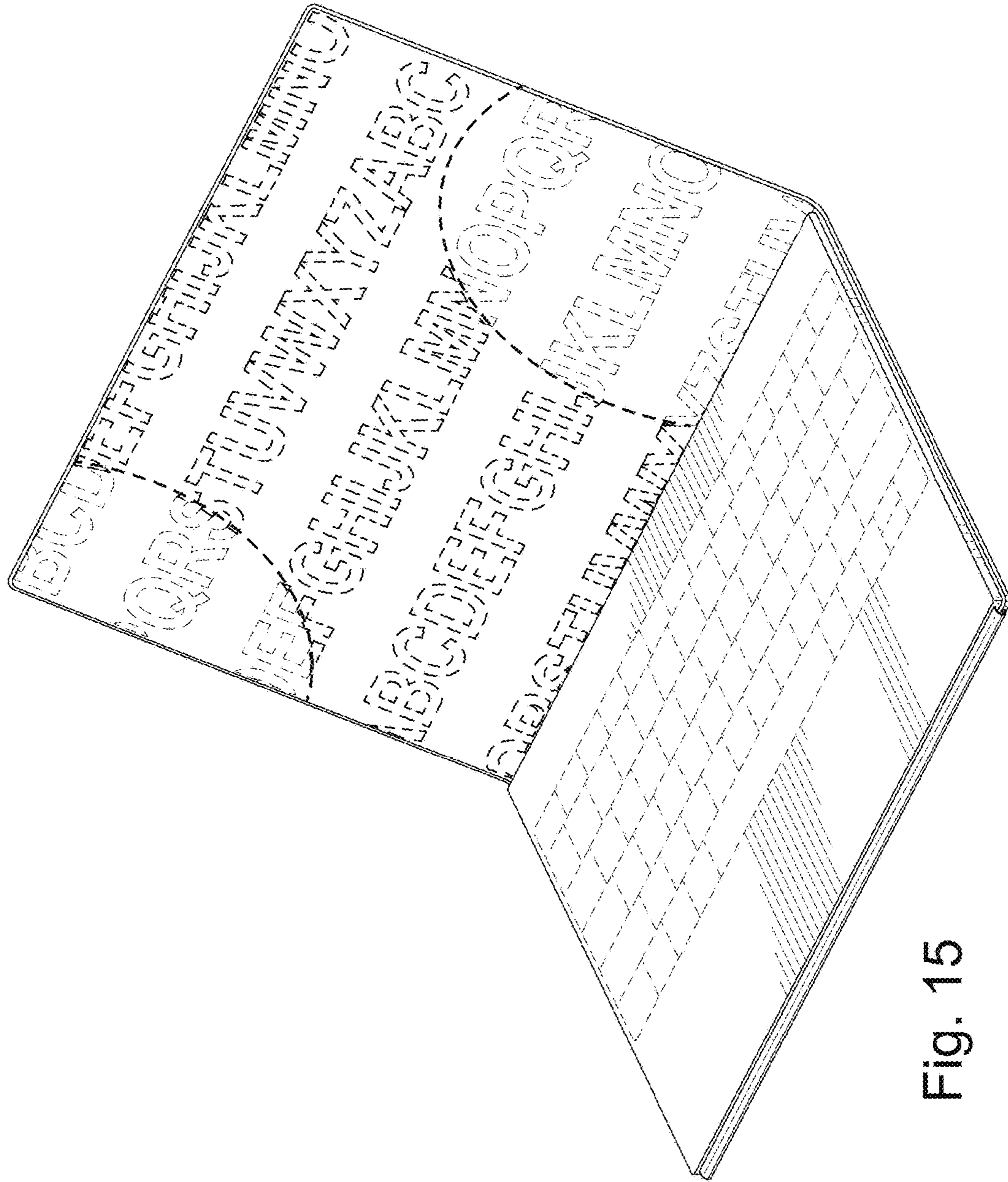


Fig. 15

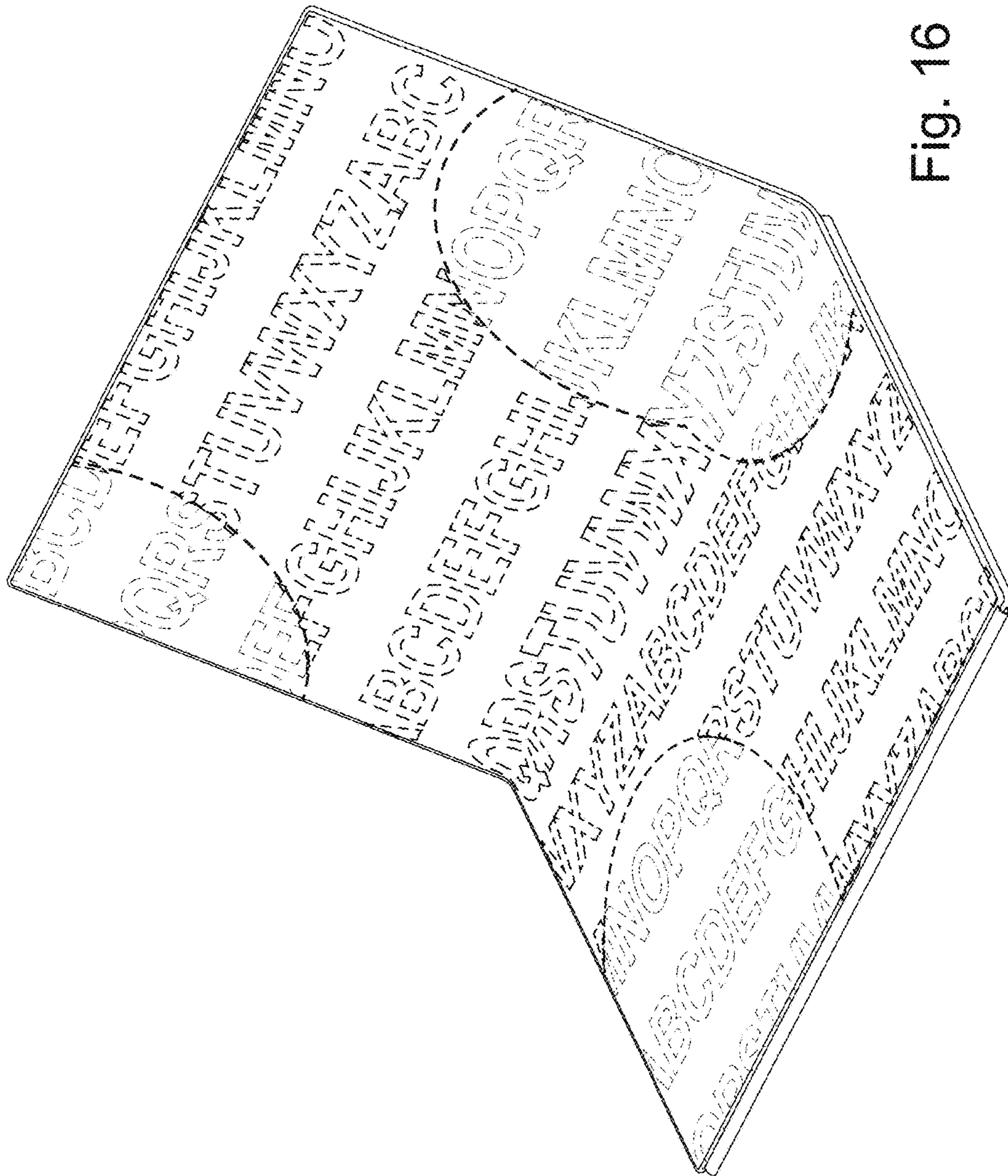


Fig. 16

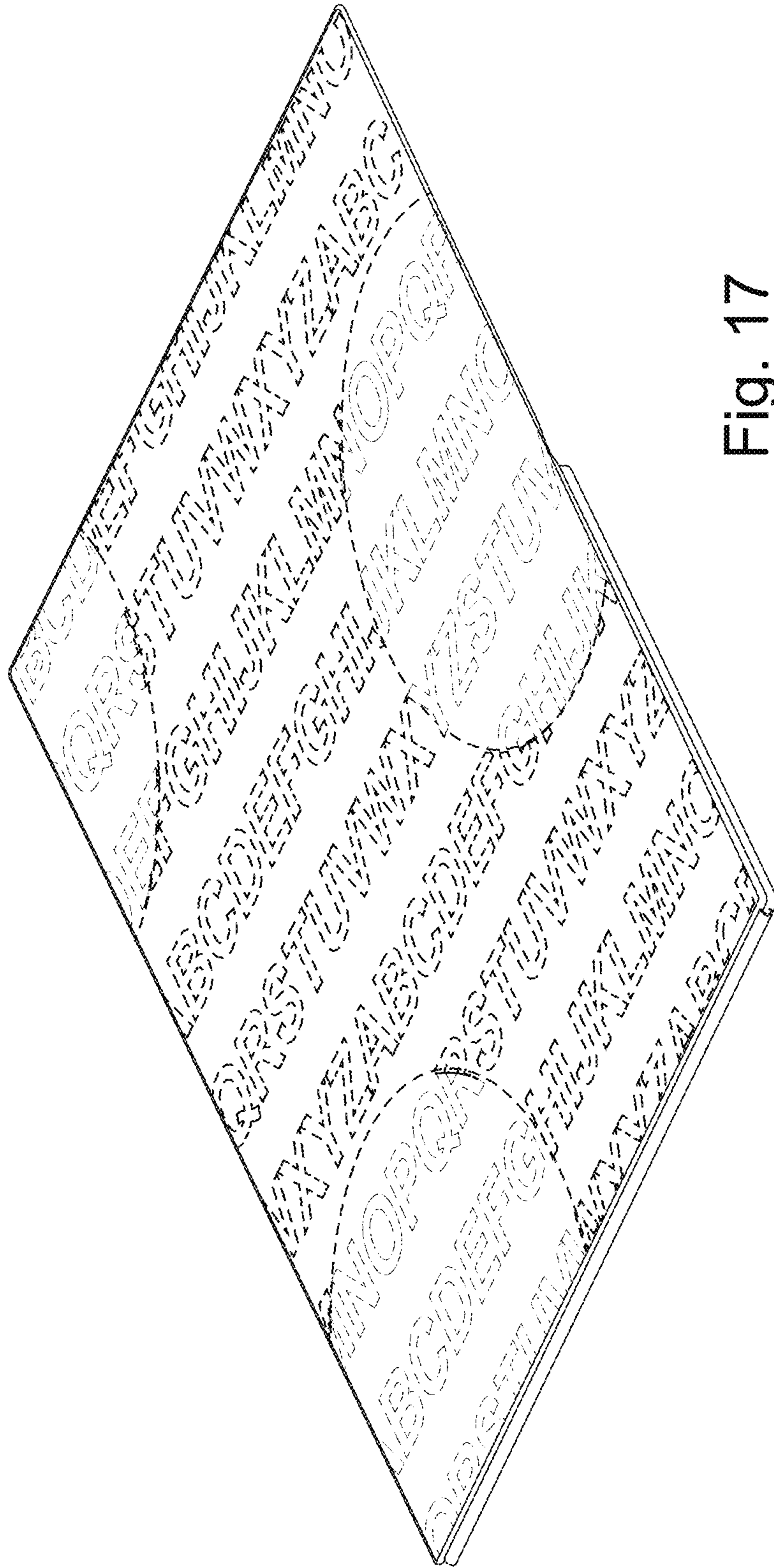


Fig. 17

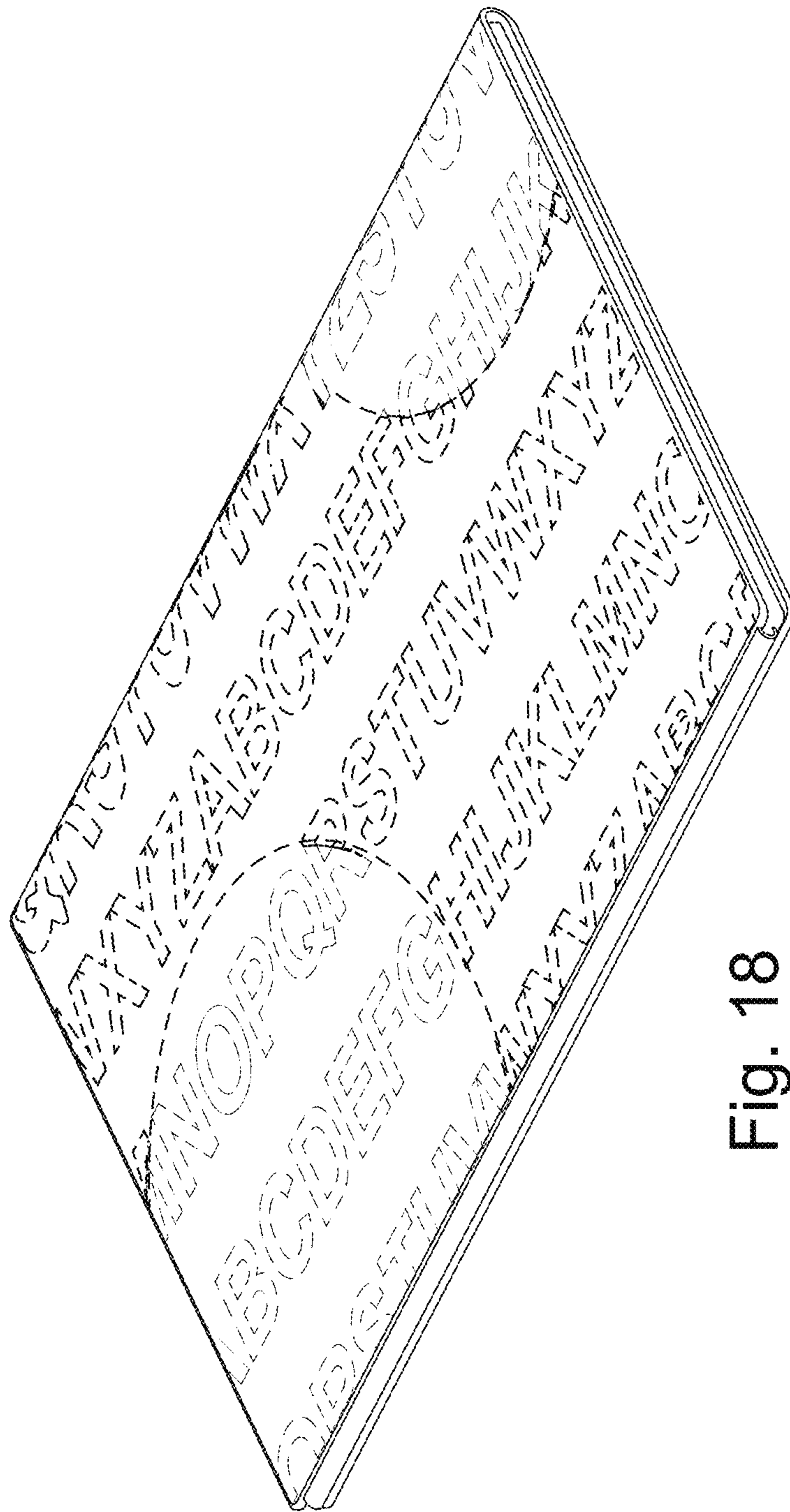


Fig. 18

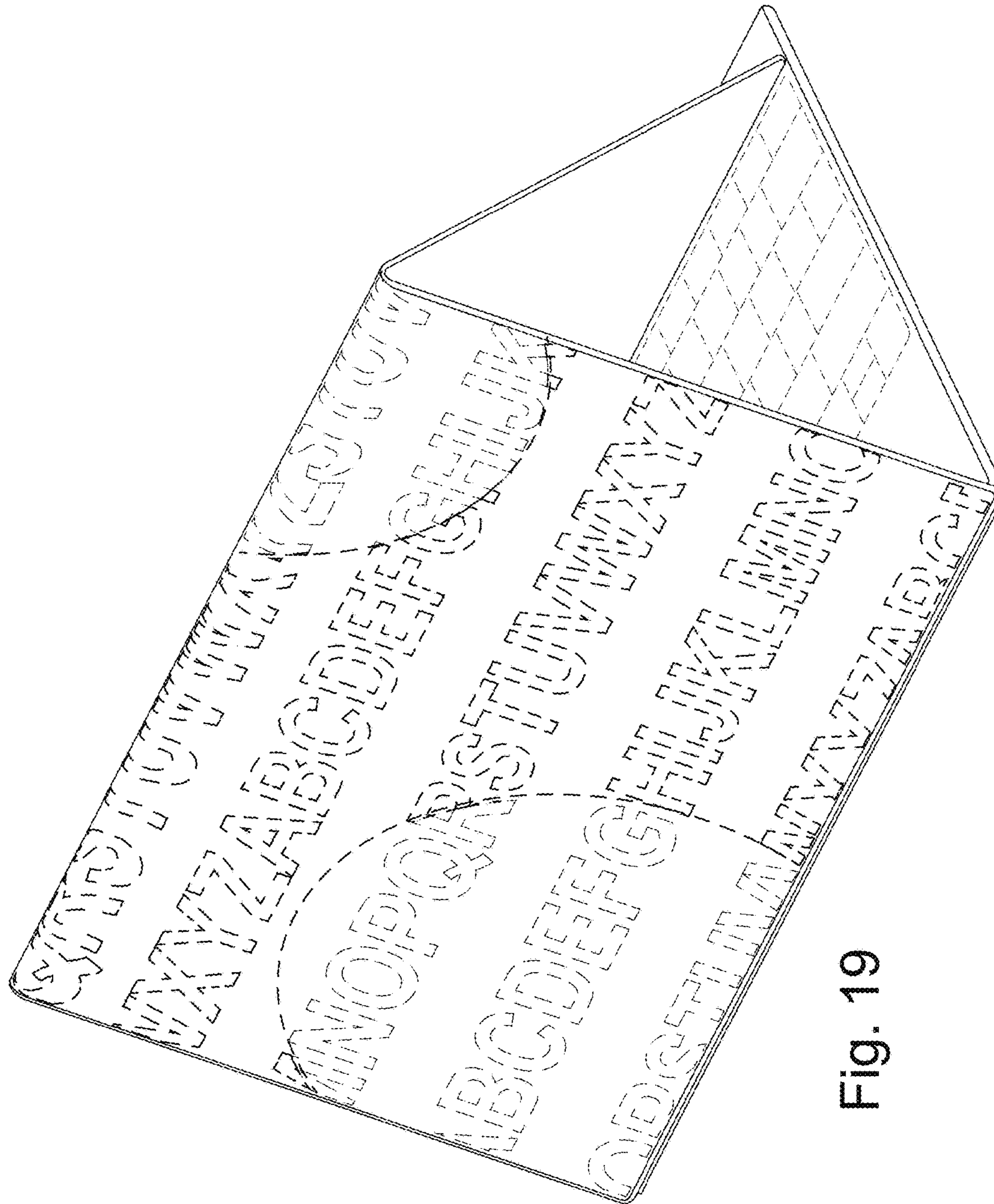


Fig. 19