



US00D815087S

(12) **United States Design Patent** (10) **Patent No.:** **US D815,087 S**
Gu (45) **Date of Patent:** **** Apr. 10, 2018**

(54) **CELLPHONE BRACKET TO CONNECT RIFLESCOPE**
(71) Applicant: **Ningbo Qihang Optics Instrument Co., Ltd.**, Yuyao, Zhejiang (CN)
(72) Inventor: **Linsong Gu**, Zhejiang (CN)
(73) Assignee: **Ningbo Qihang Optics Instrument Co., Ltd.**, Yuyao (CN)

D585,516 S * 1/2009 Smith D22/108
D609,770 S * 2/2010 Mulfinger D22/110
D681,767 S * 5/2013 Li D22/108
D693,423 S * 11/2013 Beckett D22/108
D707,672 S * 6/2014 Lai D14/253
D746,936 S * 1/2016 Huang D22/108
D765,651 S * 9/2016 Liu D14/253
D772,367 S * 11/2016 Wigant D22/108
D780,743 S * 3/2017 Chun D14/253
D783,012 S * 4/2017 Lee D14/253
D790,528 S * 6/2017 Lindloff D14/253
D806,823 S * 1/2018 Bengtsson D22/110

(**) Term: **15 Years**

OTHER PUBLICATIONS

(21) Appl. No.: **29/591,204**
(22) Filed: **Jan. 18, 2017**
(51) **LOC (11) Cl.** **14-03**
(52) **U.S. Cl.**
USPC **D14/253; D22/108; D16/242**
(58) **Field of Classification Search**
USPC D14/224, 229, 238, 251, 253, 433, 434, D14/447, 451; D16/219, 237-250; D8/354-356, 363, 367-371, 373, D8/382-383, 394-396; D22/108, 110
CPC G03B 17/56; G03B 17/561-17/568; G02B 7/00-7/002; H04N 5/2253-5/2254; F16M 11/04-11/12; A45F 2200/0508-2200/0533; A45F 5/00; A45F 5/10
See application file for complete search history.

Amazon.com Bike Mount, Ipow Universal Cell Phone Bicycle Rack . [online] Published on Jun. 20, 2015. Retrieved Jan. 24, 2018 from URL: <https://www.amazon.com/Universal-Bicycle-Handlebar-Motorcycle-BlackBerry/dp/B015C03SI8>.*

* cited by examiner

Primary Examiner — Vy N Koenig

(57) **CLAIM**

The ornamental design for a cellphone bracket to connect rifle scope, as shown and described.

DESCRIPTION

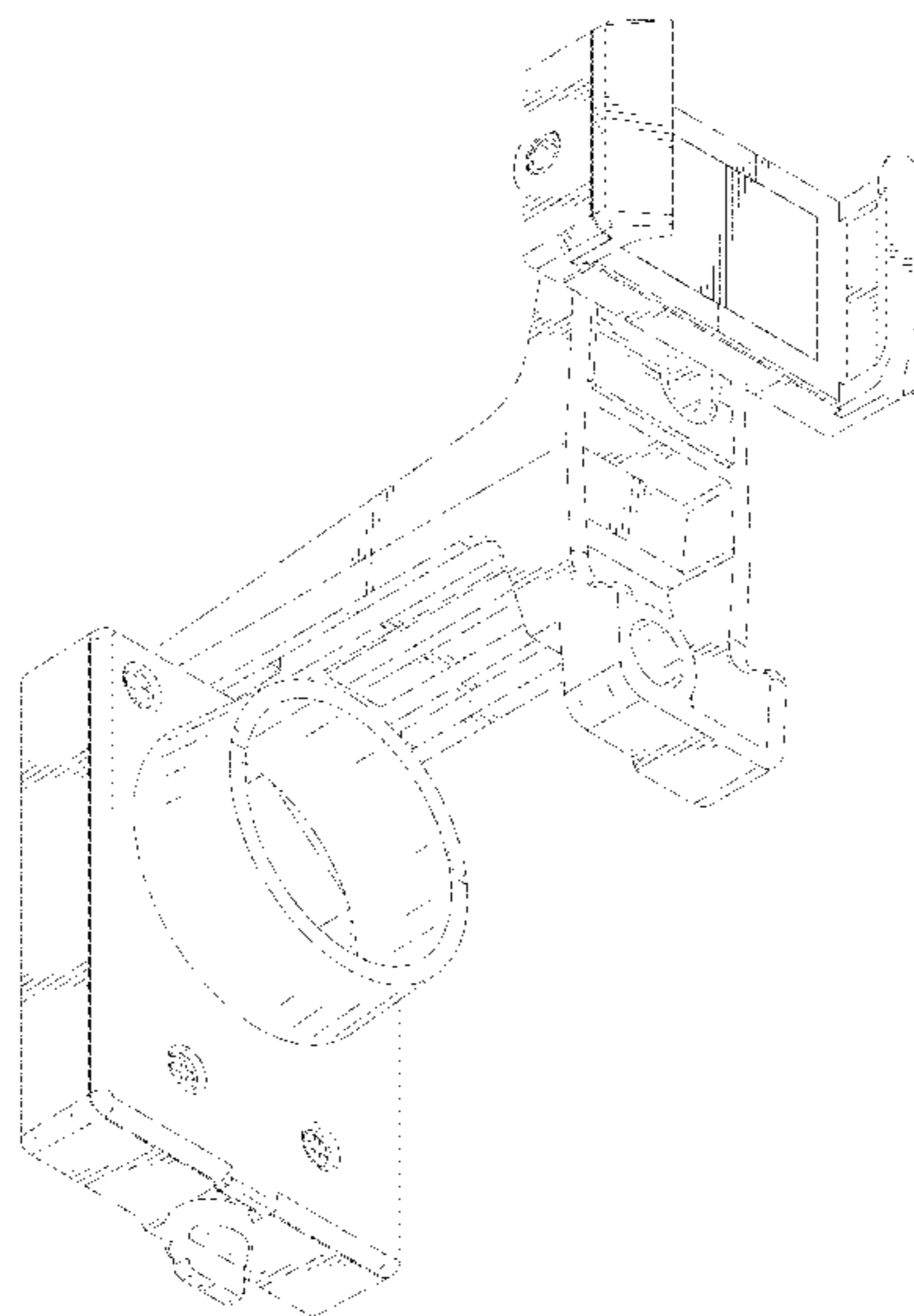
FIG. 1 is a front elevational view of a cellphone bracket to connect rifle scope showing my new design;
FIG. 2 is a rear elevational view thereof;
FIG. 3 is a left side view thereof;
FIG. 4 is a right side view thereof;
FIG. 5 is a top plan view thereof;
FIG. 6 is a bottom plan view thereof;
FIG. 7 is a bottom, left and front perspective view thereof;
FIG. 8 is a top, right and rear perspective view thereof;
FIG. 9 is a top, left and front perspective view thereof; and,
FIG. 10 is bottom, right and rear perspective view thereof.

1 Claim, 10 Drawing Sheets

(56) **References Cited**

U.S. PATENT DOCUMENTS

D268,270 S * 3/1983 Ostlund D16/240
D270,173 S * 8/1983 Bechtel D22/110
D283,433 S * 4/1986 Bechtel D22/110
D291,650 S * 9/1987 Monzen D24/128
D298,760 S * 11/1988 Yoshida D16/242
D342,537 S * 12/1993 Olson D16/132
D415,017 S * 10/1999 Lo D8/396



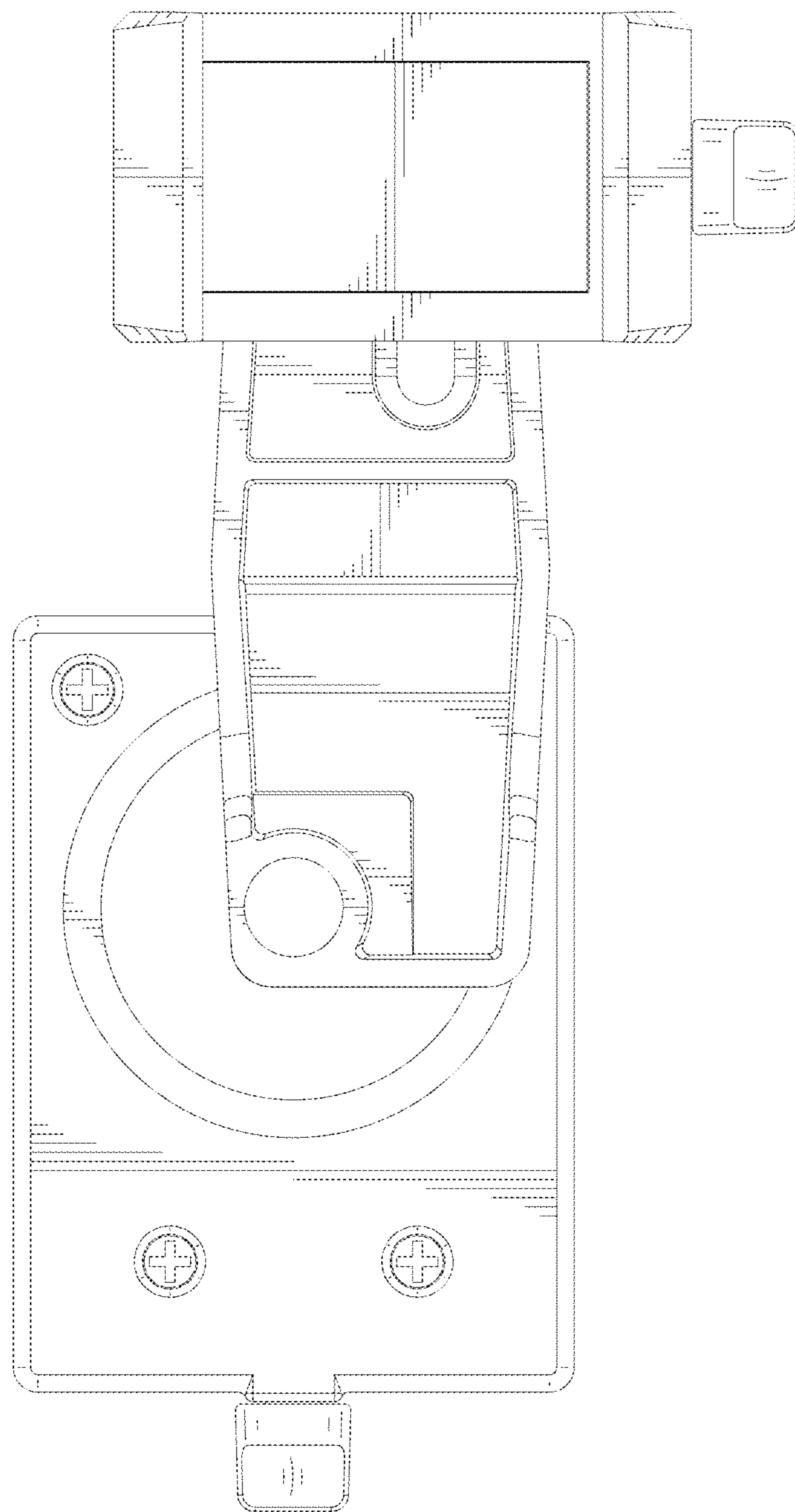


Fig. 1

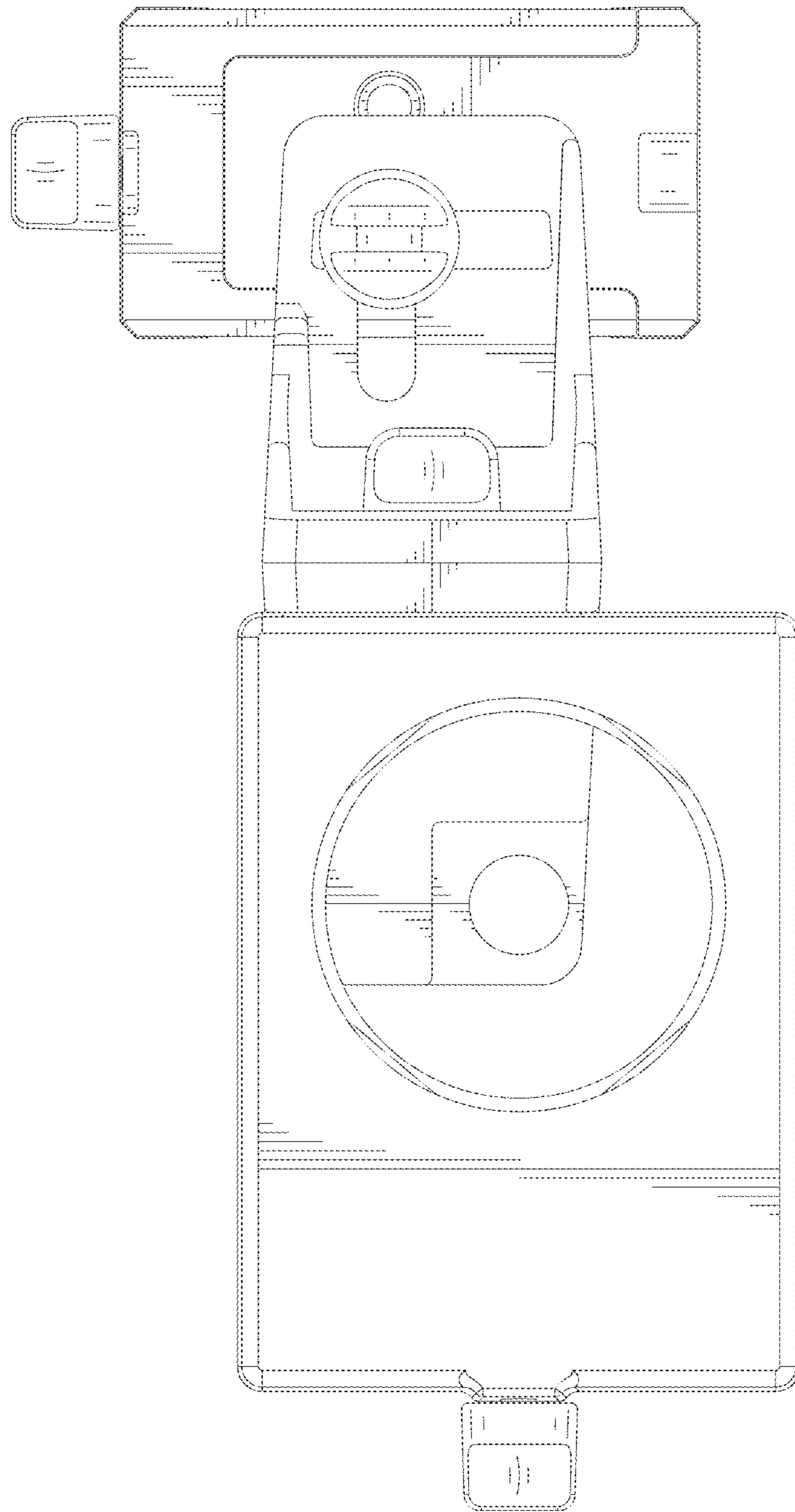


Fig. 2

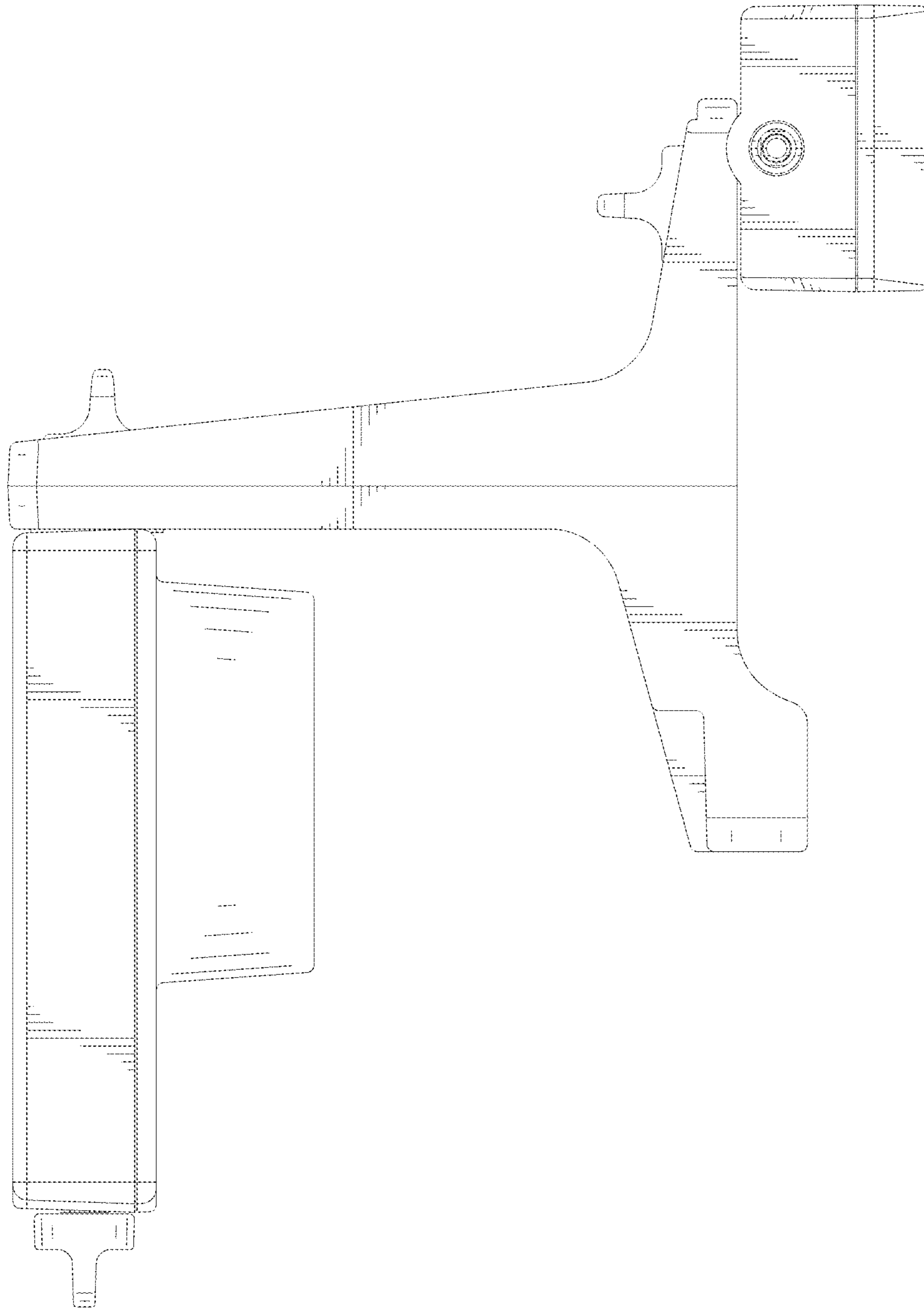


Fig. 3

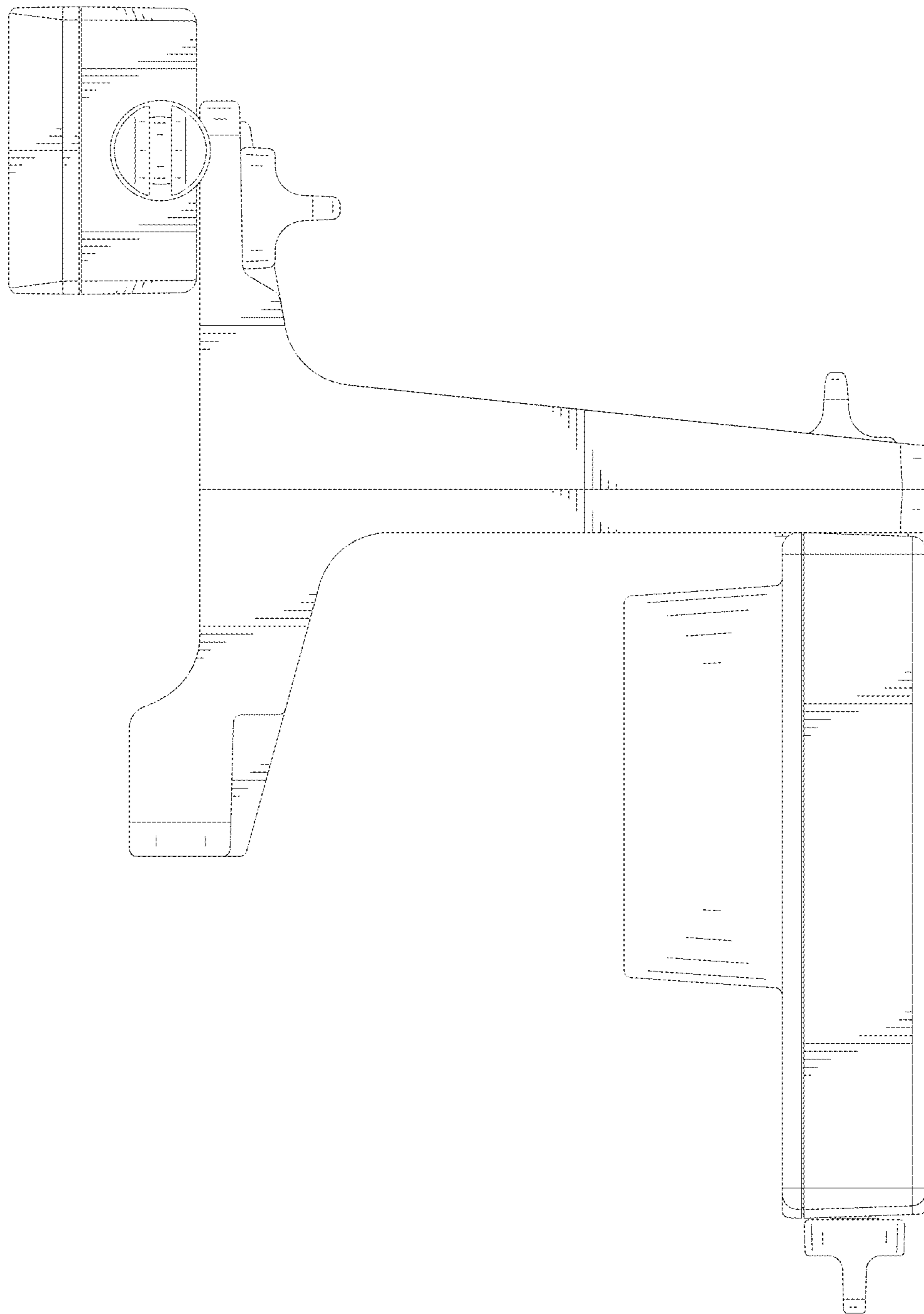


Fig. 4

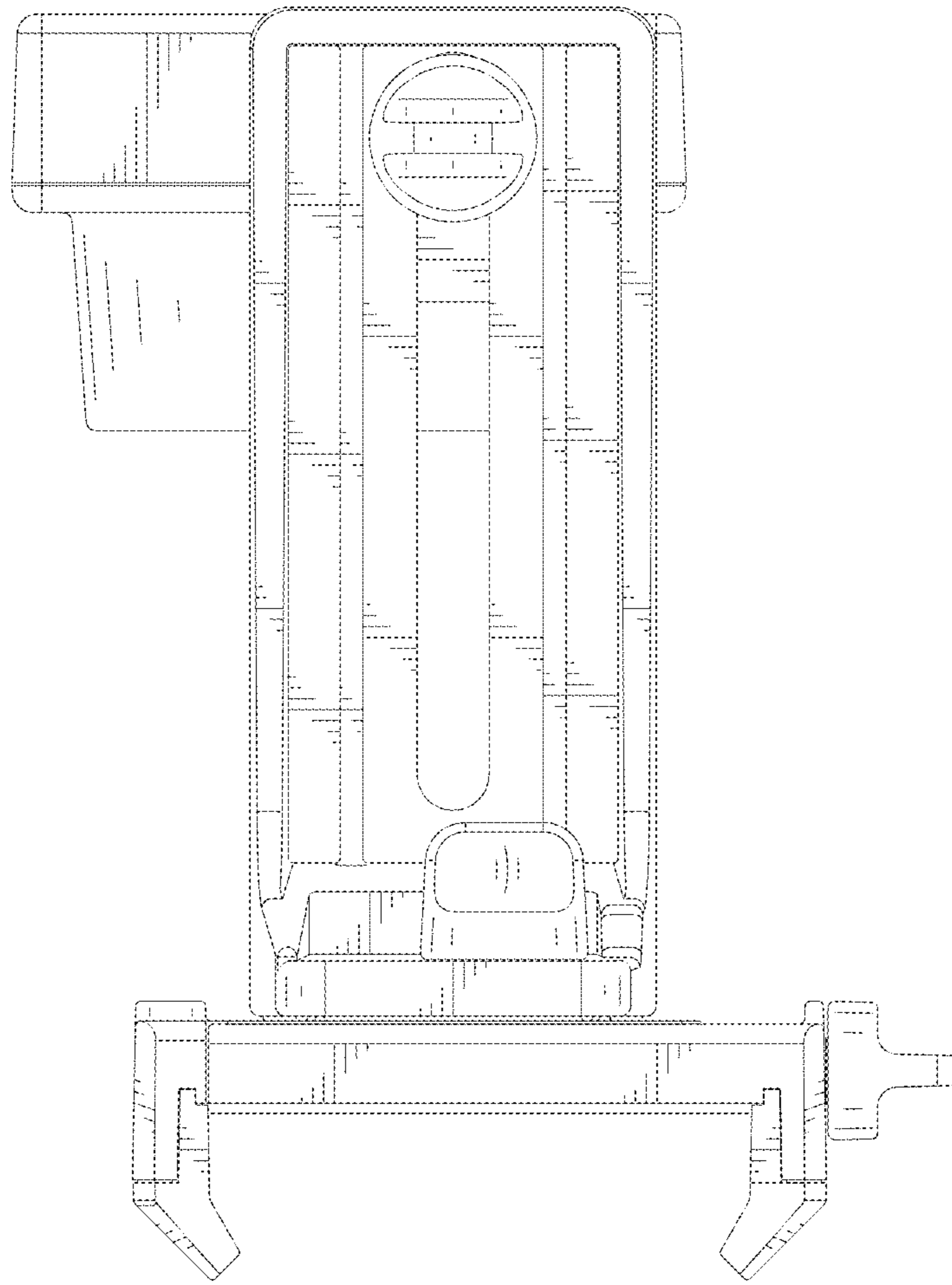


Fig. 5

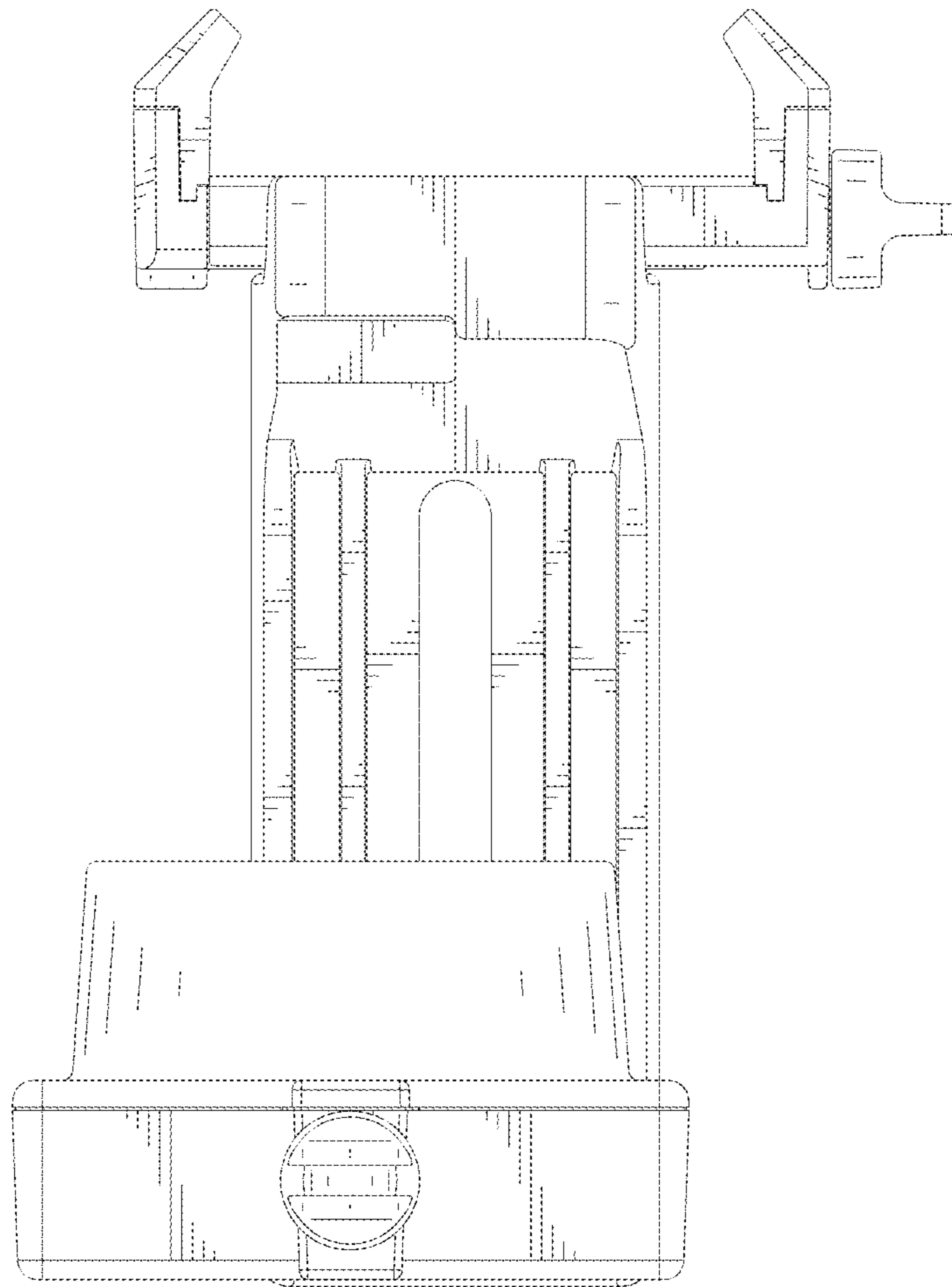


Fig. 6

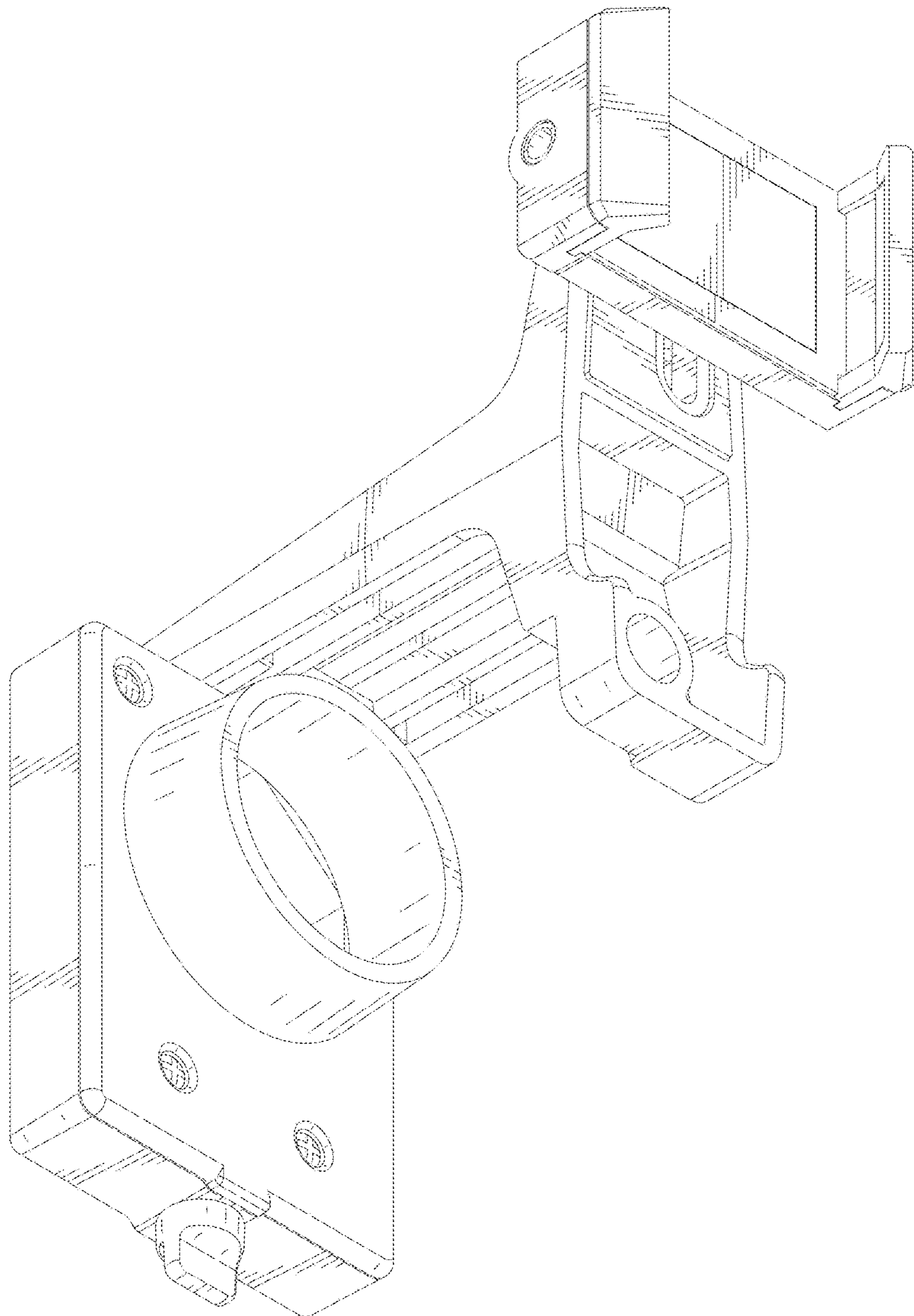


Fig. 7

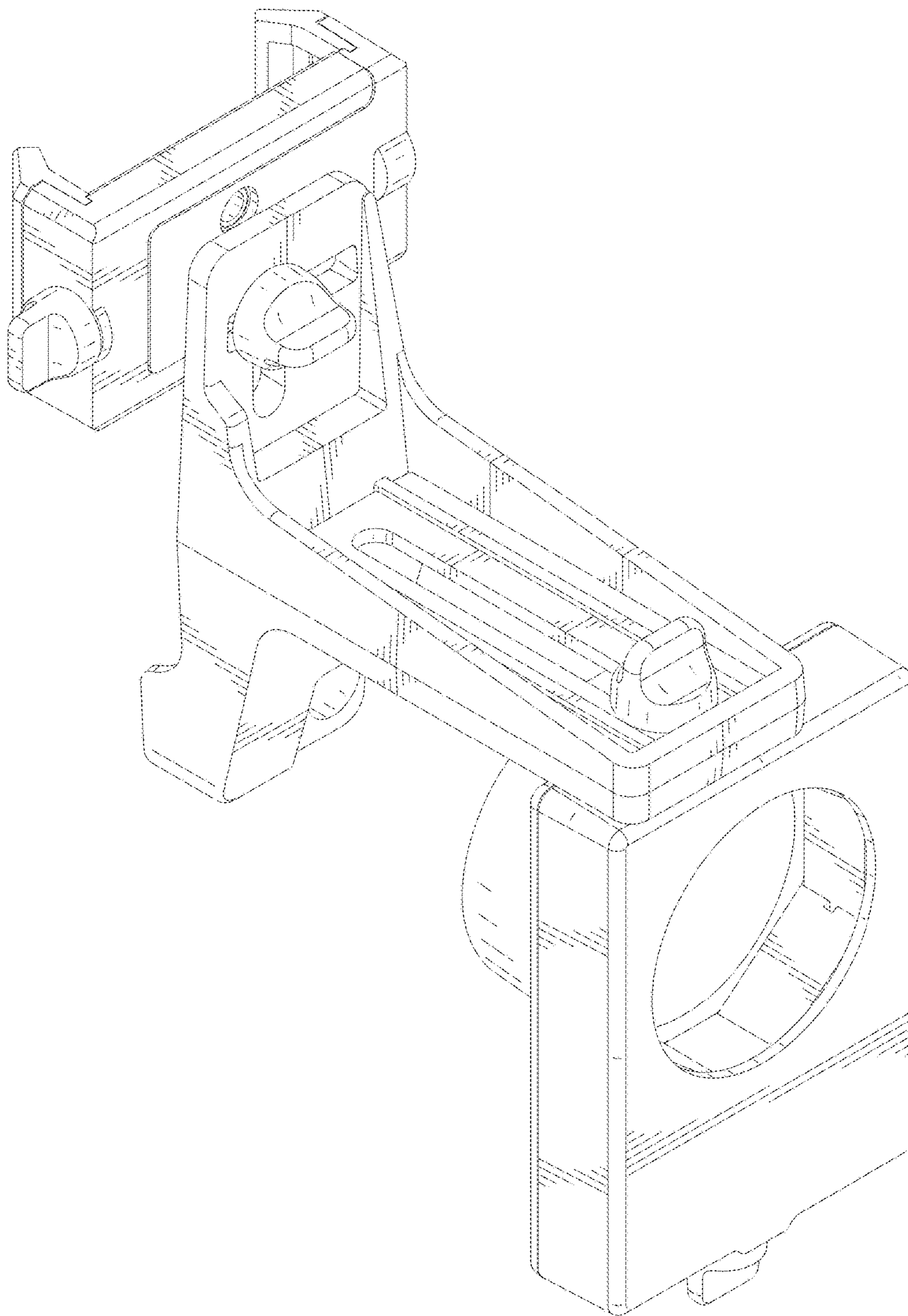


Fig. 8

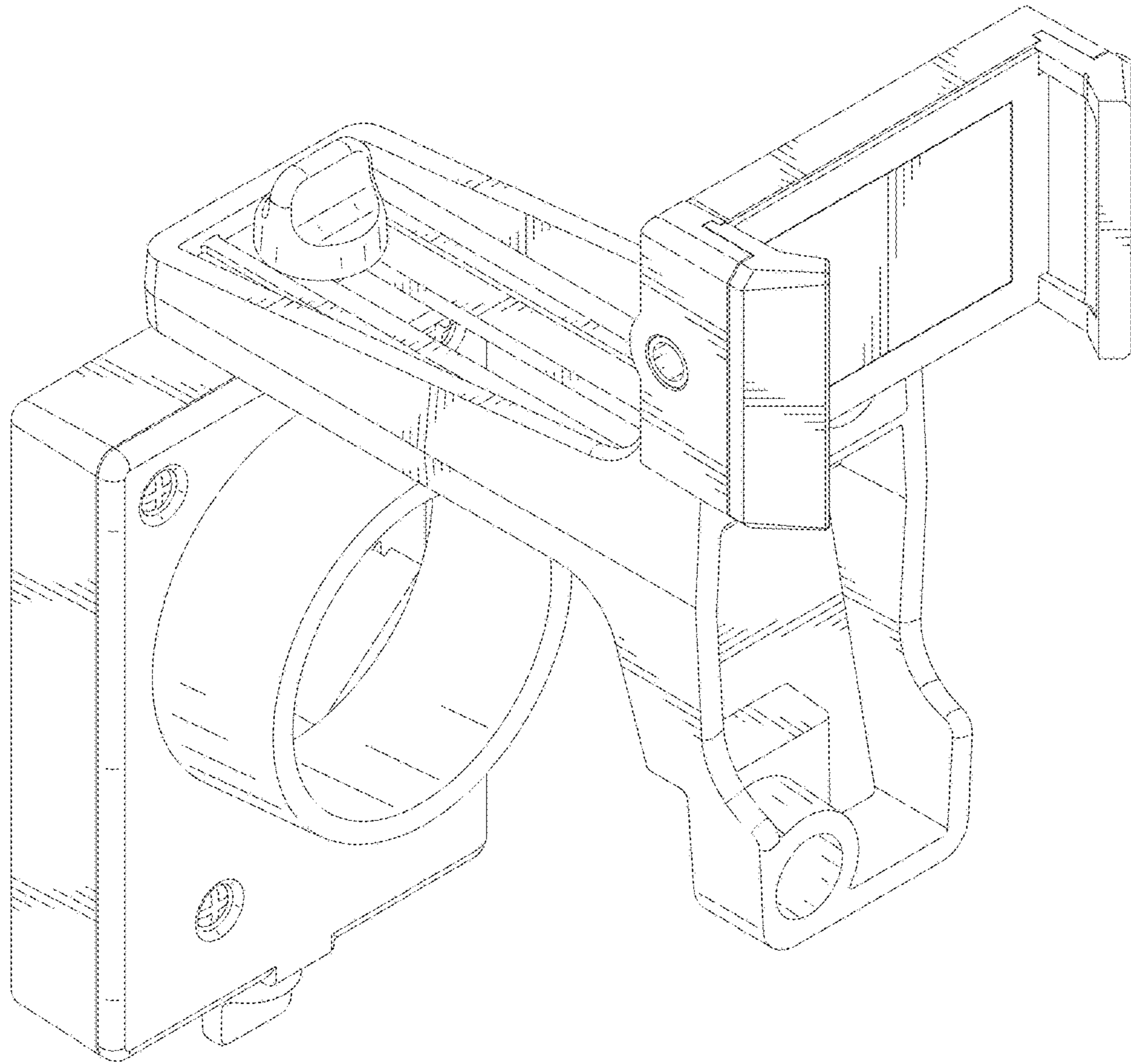


Fig. 9

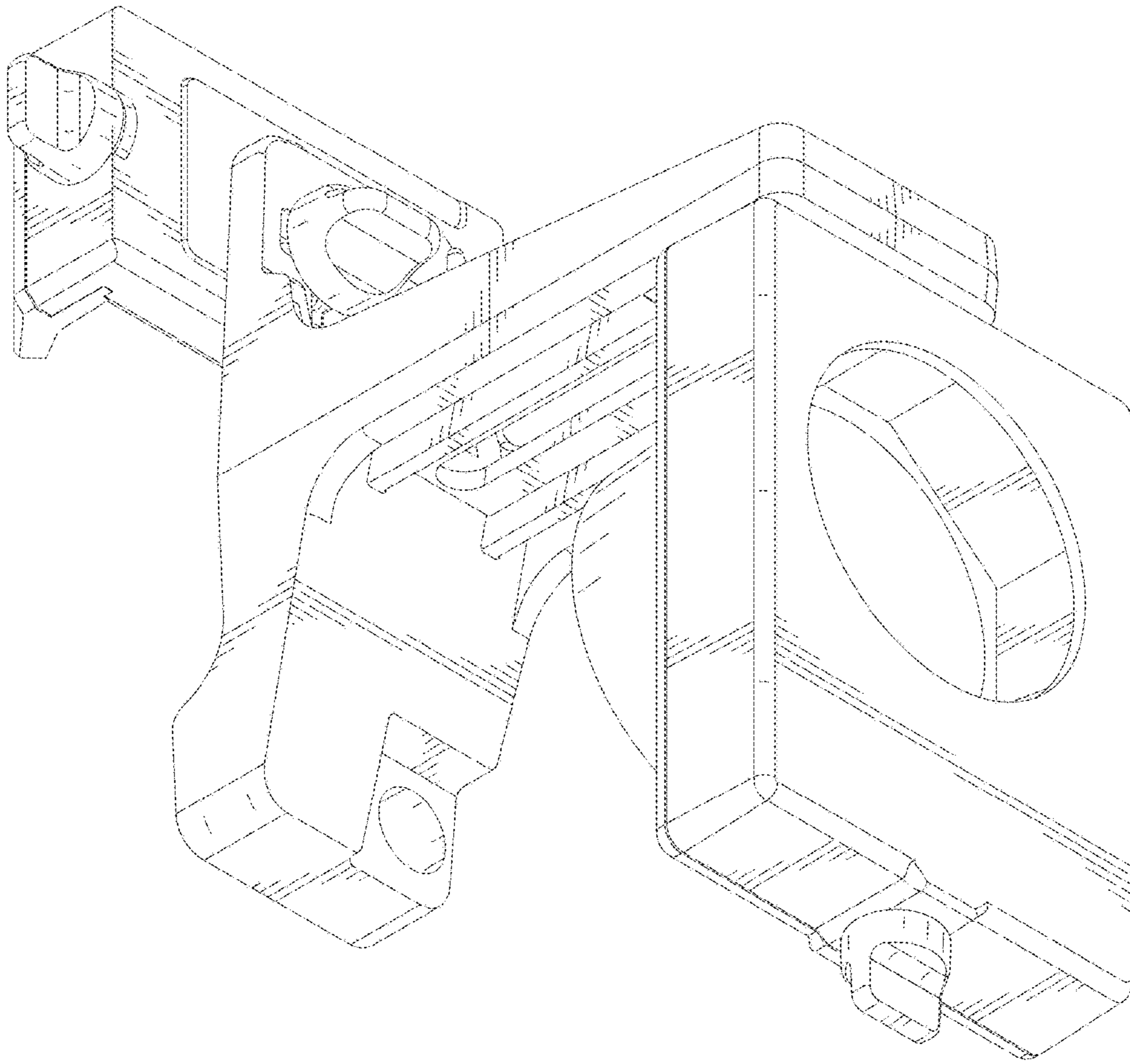


Fig. 10