



US00D815081S

(12) **United States Design Patent** (10) **Patent No.:** **US D815,081 S**
Webber et al. (45) **Date of Patent:** **** Apr. 10, 2018**

(54) **PROTECTIVE CASE FOR AN ELECTRONIC DEVICE**

from Internet, <URL: https://wholesaler.alibaba.com/productdetail/LuxuryNaturalCarvedWoodSolidWooden_60282549623.html>.*

(Continued)

(71) Applicant: **Carved, LLC**, Elkhart, IN (US)

Primary Examiner — George D. Kirschbaum

(72) Inventors: **John Webber**, Elkhart (IN); **Eric Richardson**, Syracuse, IN (US); **Alex Gosuch**, Middlebury, IN (US); **Jonas Kellenstine**, Osceola, IN (US)

Assistant Examiner — Maria J Edwards

(74) *Attorney, Agent, or Firm* — Bishop Diehl & Lee, Ltd.

(73) Assignee: **Carved, LLC**, Elkhart, IN (US)

(57) **CLAIM**

(**) Term: **15 Years**

The ornamental design for the protective case for an electronic device, as shown and described.

(21) Appl. No.: **29/567,842**

DESCRIPTION

(22) Filed: **Jun. 13, 2016**

(51) **LOC (11) Cl.** **14-03**

(52) **U.S. Cl.**
USPC **D14/250**

(58) **Field of Classification Search**
USPC D14/250; 455/556.2, 575.7, 575.8
CPC A45C 2011/002
See application file for complete search history.

FIG. 1 is a front perspective view of an embodiment of a protective case showing the new design;
FIG. 2 is a rear perspective view of the protective case as shown in FIG. 1;
FIG. 3 is a front side view of the protective case as shown in FIG. 1;
FIG. 4 is a rear side view of the protective case as shown in FIG. 1;
FIG. 5 is a right side view of the protective case as shown in FIG. 1;
FIG. 6 is a left side view of the protective case as shown in FIG. 1;
FIG. 7 is a top side view of the protective case as shown in FIG. 1;
FIG. 8 is a bottom side view of the protective case as shown in FIG. 1;
FIG. 9 is a front perspective view of the protective case as shown in FIG. 1 showing the protective case attached to a cellular phone, which forms no part of the claimed invention; and,
FIG. 10 is a cross-sectional view taken along line X-X of FIG. 3 of the protective case as shown in FIG. 1.
The broken lines illustrate portions of the article or environmental subject matter and form no part of the claimed design.

(56) **References Cited**

U.S. PATENT DOCUMENTS

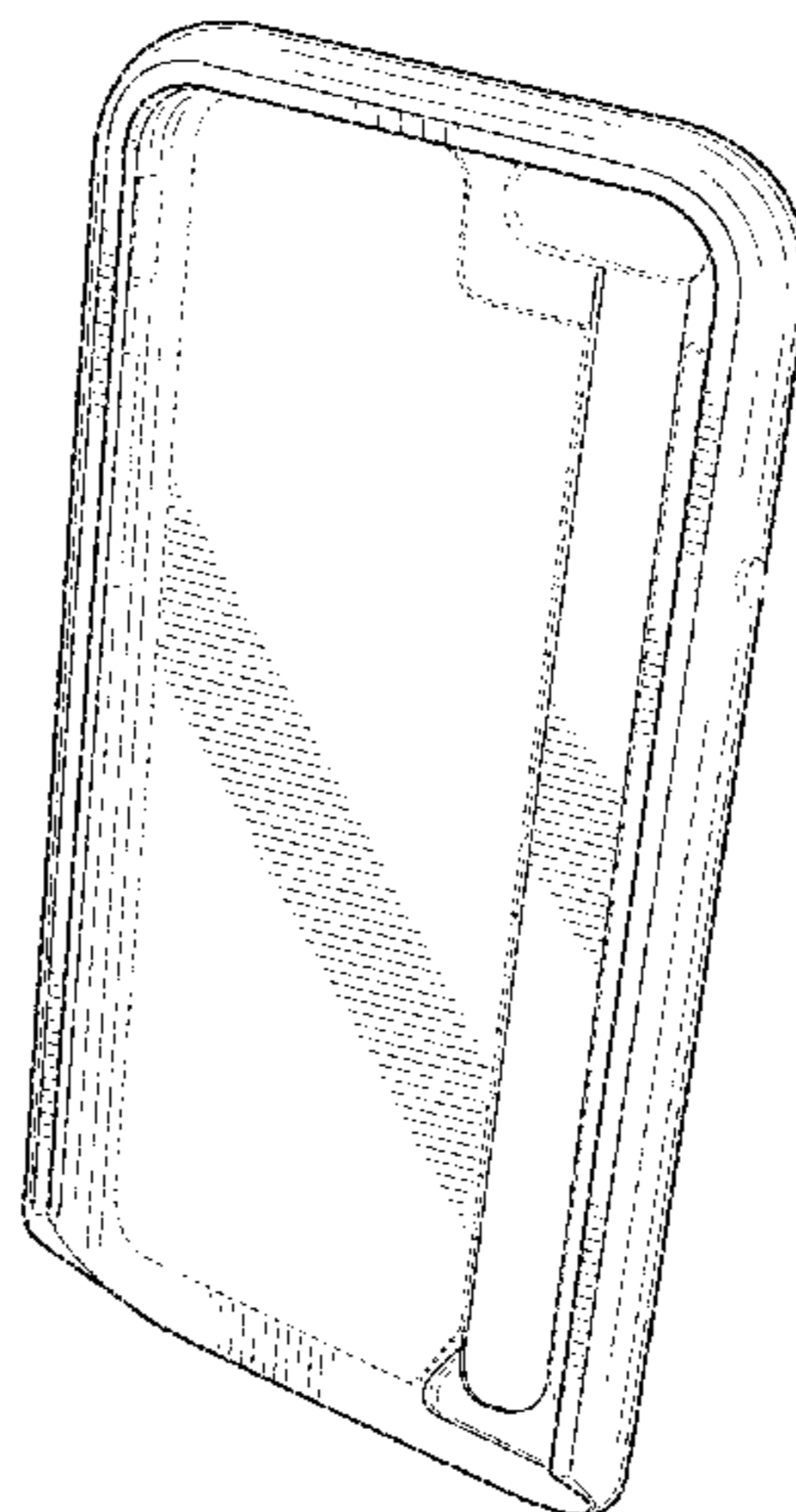
D706,255 S *	6/2014	Akana	D14/250
D728,468 S *	5/2015	Ferber	D13/103
D761,781 S *	7/2016	Dang	D14/250
D763,241 S *	8/2016	Kim	D14/250
D763,841 S *	8/2016	Kim	D14/250
D772,854 S *	11/2016	Igarashi	D14/250
D775,614 S *	1/2017	Kim	D14/250
D777,152 S *	1/2017	Kim	D14/250
D777,157 S *	1/2017	Kim	D14/250
D777,160 S *	1/2017	Kim	D14/250
D780,165 S *	2/2017	Lee	D14/250

(Continued)

OTHER PUBLICATIONS

Natural Carved Wood Case, posted at wholesaler.alibaba.com, posting date not given, [online], [site visited Jul. 13, 2017]. Available

1 Claim, 9 Drawing Sheets



(56)

References Cited

U.S. PATENT DOCUMENTS

D780,742 S	*	3/2017	Guerdrum	D14/250
D781,837 S	*	3/2017	Kim	D14/250
D784,976 S	*	4/2017	Cebe	D14/250
D787,490 S	*	5/2017	Akana	D14/250
D787,492 S	*	5/2017	Kim	D14/250
D788,756 S	*	6/2017	Kim	D14/250

OTHER PUBLICATIONS

Solid Wood iPhone Case, posted at carved.com, posting date not given, [online], [site visited Jul. 13, 2017]. Available from Internet, <URL: <http://www.carved.com/shop/iphone6plus/solidwood/>>.*

The Carve Case, posted at thenextweb.com, posting date Aug. 9, 2012, [online], [site visited Jul. 13, 2017]. Available from Internet, <URL: https://thenextweb.com/apple/2012/08/09/tnwreviewthecarvecaseof-fershandmadelightweightwoodenprotectionforyouriphone/#.tnw_e7DFM8Uy>.*

tnwreviewthecarvecaseof-fershandmadelightweightwoodenprotectionforyouriphone/#.tnw_e7DFM8Uy>.*

* cited by examiner

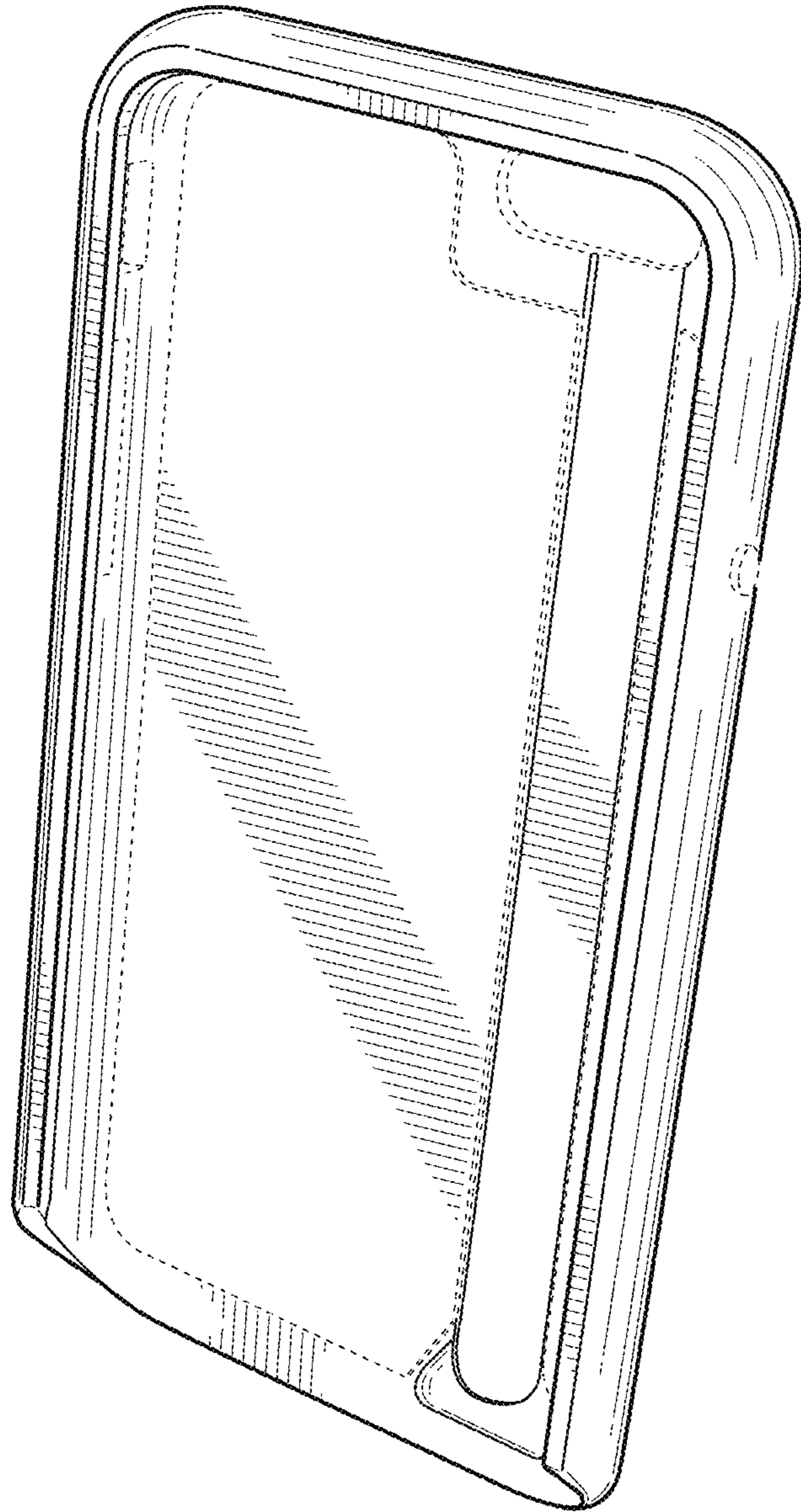


FIG. 1

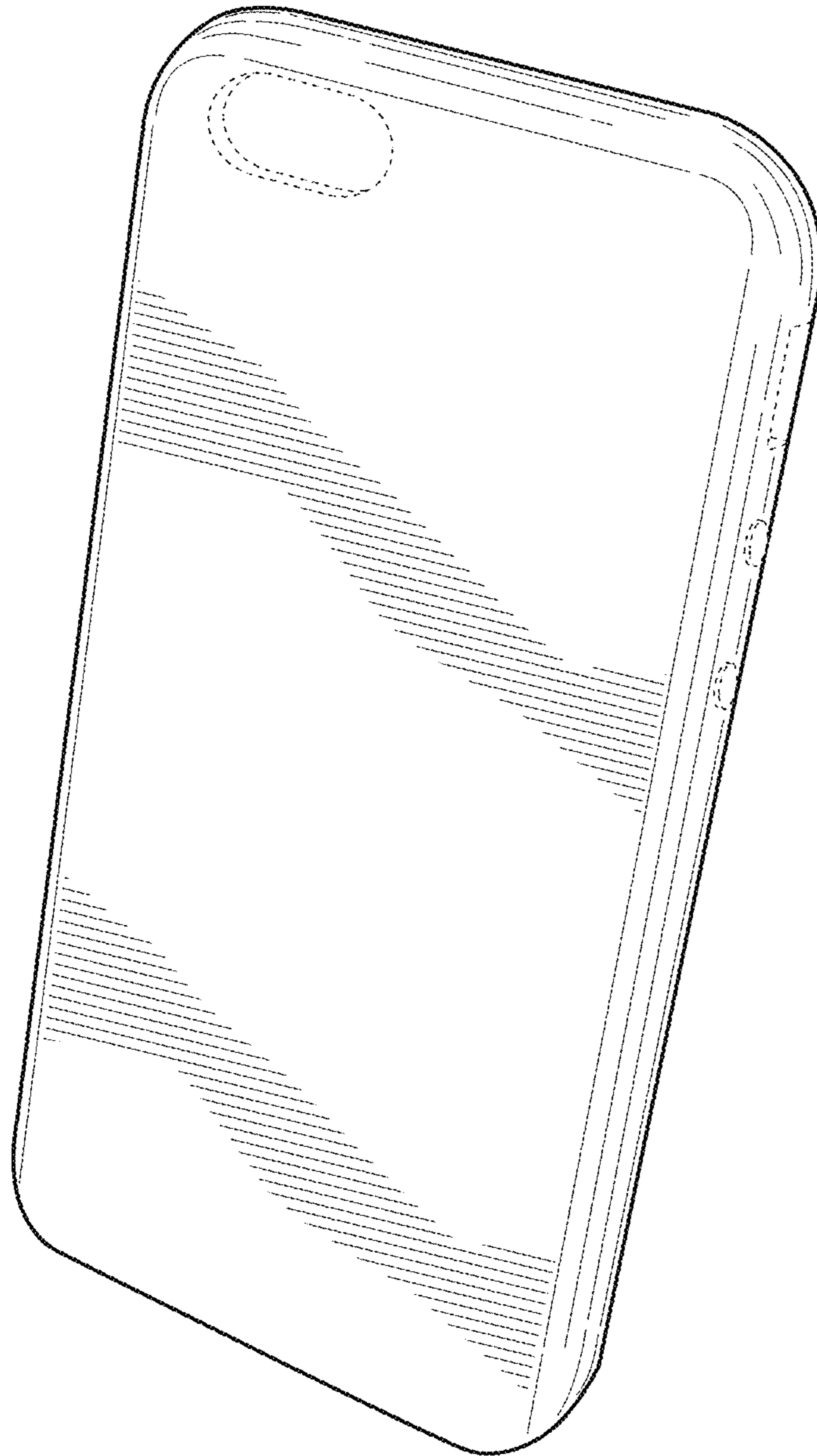


FIG. 2

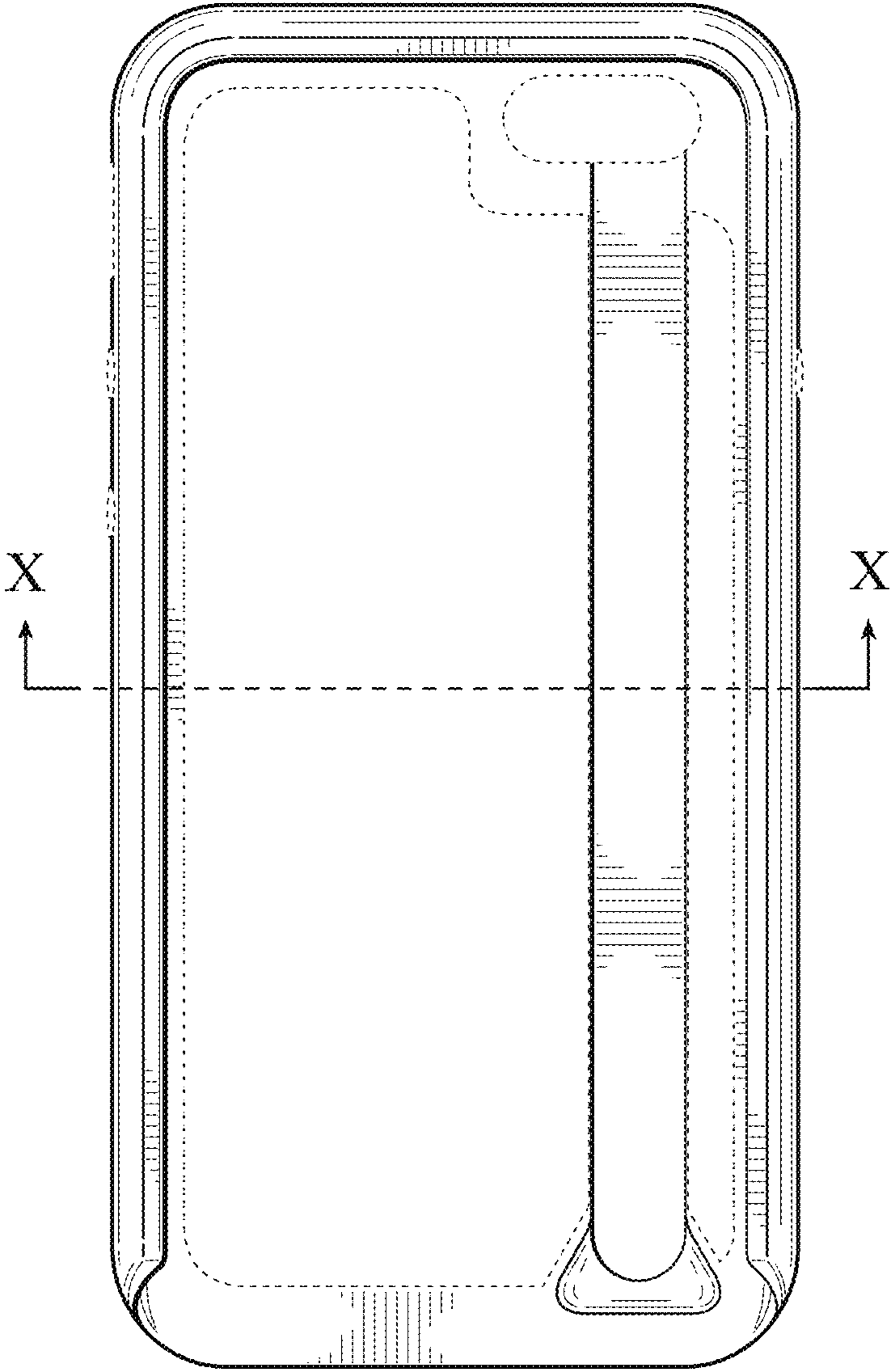


FIG. 3

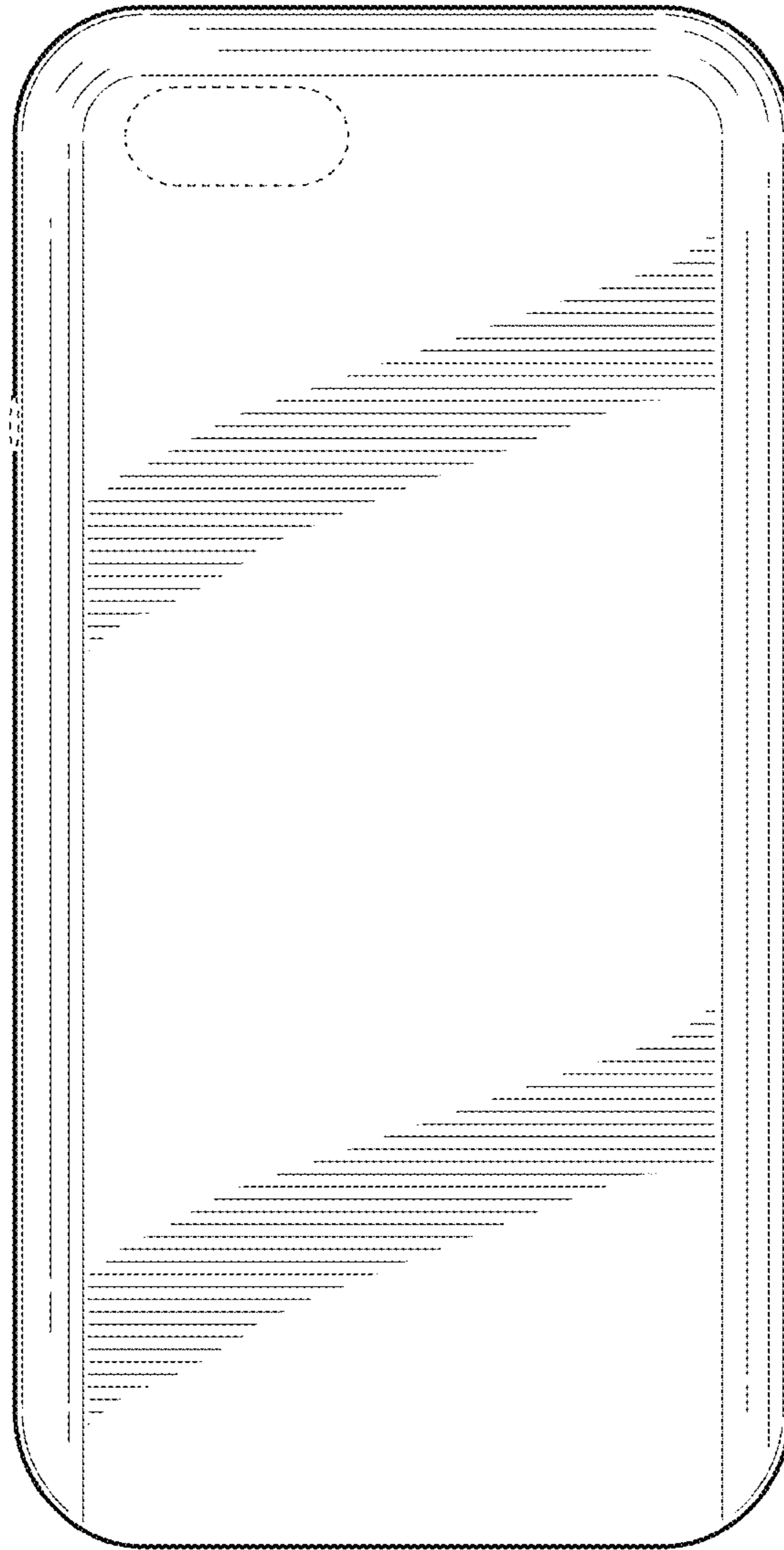


FIG. 4

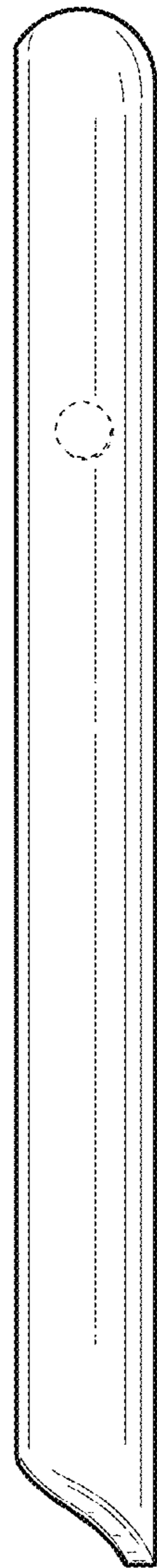


FIG. 5

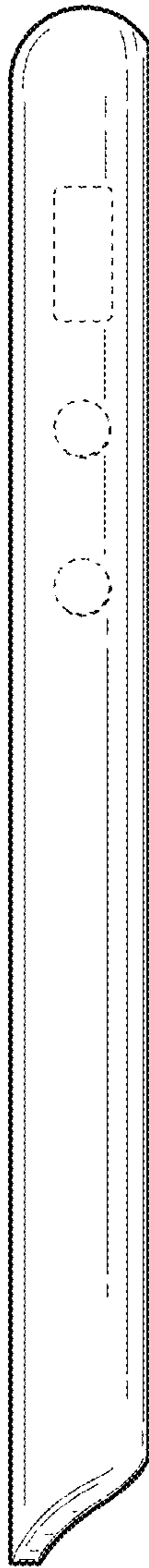


FIG. 6

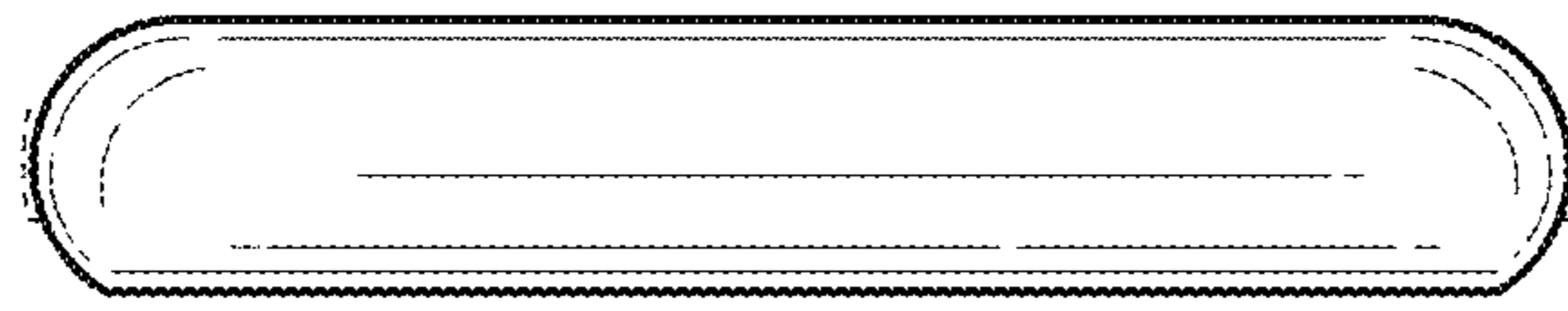


FIG. 7

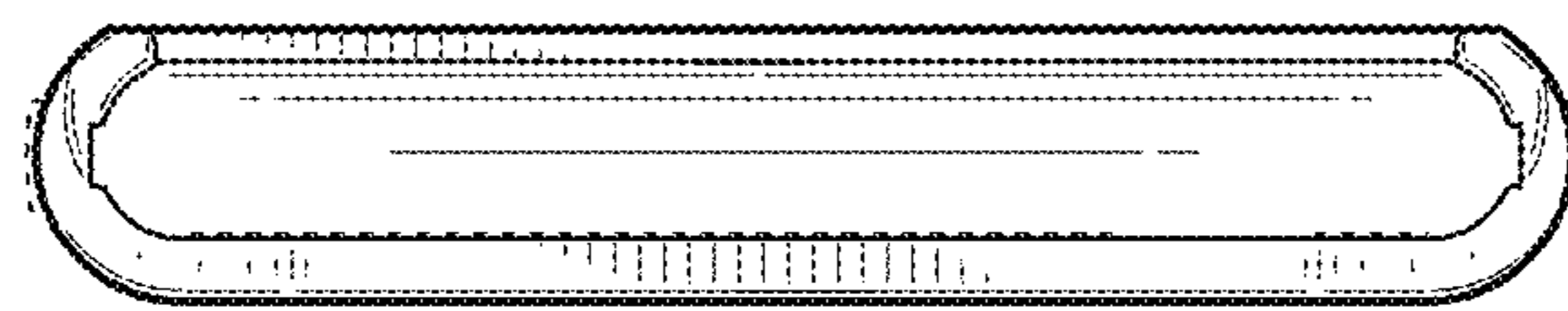


FIG. 8

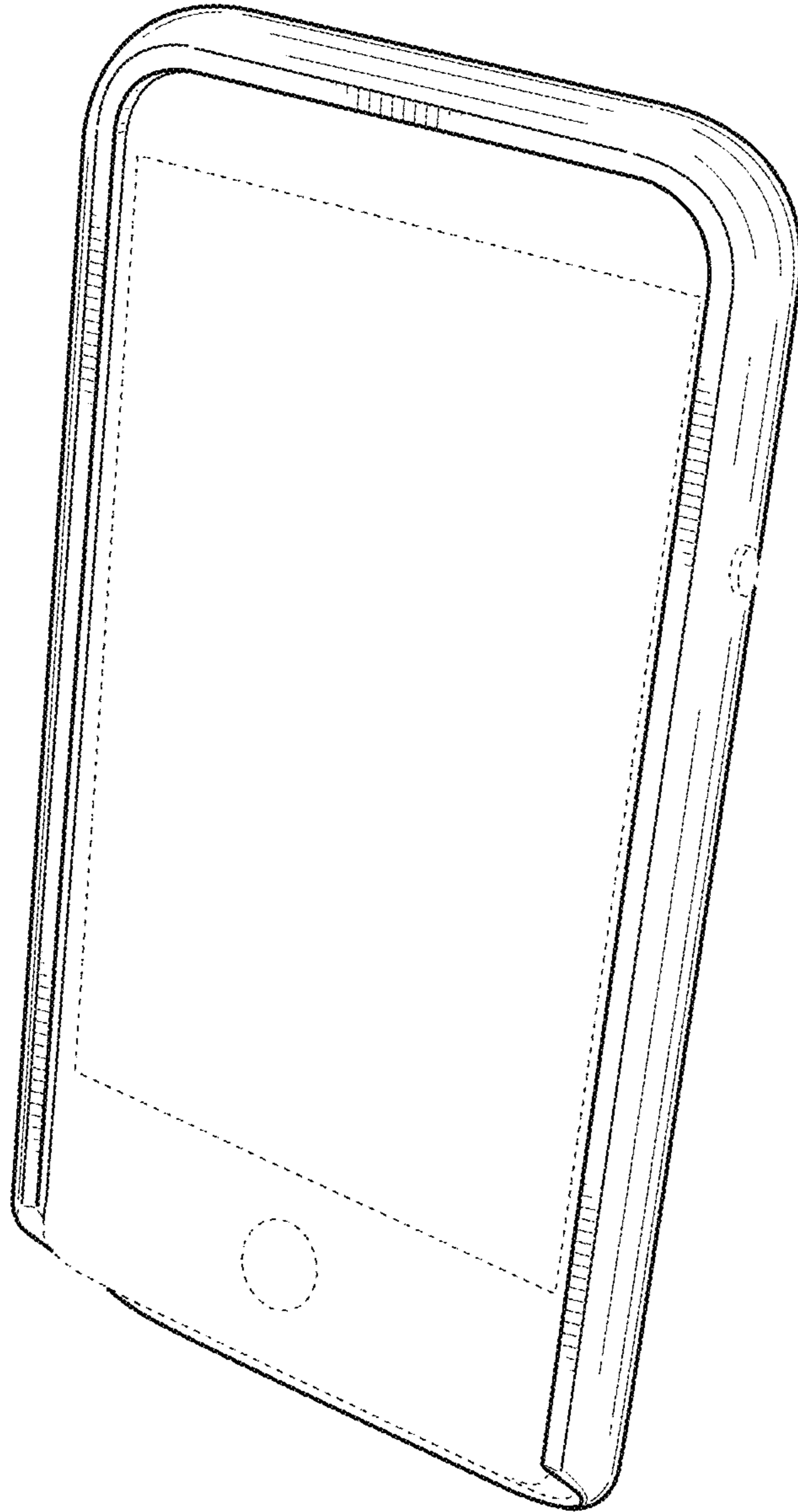


FIG. 9

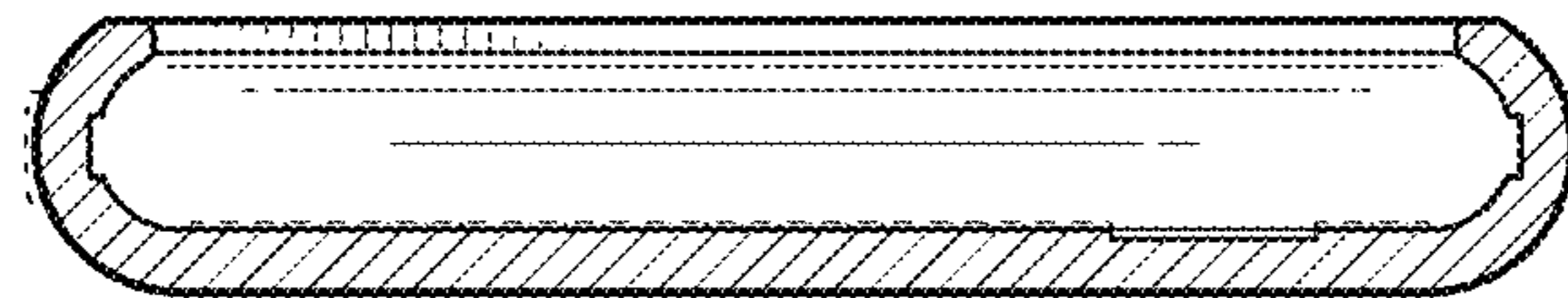


FIG. 10