



US00D815078S

(12) **United States Design Patent**
Park et al.

(10) **Patent No.:** **US D815,078 S**

(45) **Date of Patent:** **** Apr. 10, 2018**

(54) **MOBILE PHONE**

(71) Applicant: **LG Electronics Inc.**, Seoul (KR)

(72) Inventors: **Sangmin Park**, Seoul (KR);
Seunghoon Ryu, Seoul (KR); **Youngho Kim**, Seoul (KR)

(73) Assignee: **LG Electronics Inc.**, Seoul (KR)

(**) Term: **15 Years**

(21) Appl. No.: **29/531,658**

(22) Filed: **Jun. 29, 2015**

(30) **Foreign Application Priority Data**

Dec. 31, 2014 (KR) 30-2014-0064560

(51) **LOC (11) Cl.** **14-03**

(52) **U.S. Cl.**
USPC **D14/248**

(58) **Field of Classification Search**
USPC D14/138 G, 138 AA, 248
CPC .. G06F 1/1626; H04M 1/0266; H04M 1/0202
See application file for complete search history.

(56) **References Cited**

U.S. PATENT DOCUMENTS

D584,708 S *	1/2009	Wu	D14/138 AD
D603,355 S *	11/2009	Tkachuk	D14/138 AD
D604,284 S *	11/2009	Rihu	D14/248
D609,210 S *	2/2010	Sohn	D14/138 AD
D622,714 S *	8/2010	He	D14/248
D623,165 S *	9/2010	Lim	D14/138 AD
D640,219 S *	6/2011	Sutherland	D14/138 G
D654,461 S *	2/2012	Kim	D14/138 AD
D656,477 S *	3/2012	Yi	D14/138 G
D658,147 S *	4/2012	Yoon	D14/138 G
D663,709 S *	7/2012	Kim	D14/138 AD
D671,089 S *	11/2012	Joung	D14/138 G
D677,643 S *	3/2013	Park	D14/138 G

D686,586 S *	7/2013	Cho	D14/138 G
D695,247 S *	12/2013	Kim	D14/138 G
D707,645 S *	6/2014	Kim	D14/138 G
D712,864 S *	9/2014	Hirota	D14/138 G
D717,264 S *	11/2014	Lee	D14/138 G
D729,788 S *	5/2015	Witter	D14/250

(Continued)

OTHER PUBLICATIONS

LG G2 Lite | Gadgets| posted at Gadgets.com, released date Nov. 2014, © 2016 Red Pixels Ventures, [online], [site visited Nov. 17, 2016]. Available from Internet, <URL: <http://gadgets.ndtv.com/lg-g2-lite-2121>>.*

(Continued)

Primary Examiner — Jeffrey D Asch

Assistant Examiner — Laura Yu

(74) *Attorney, Agent, or Firm* — Morgan, Lewis & Bockius LLP

(57) **CLAIM**

The ornamental design for a mobile phone, as shown and described.

DESCRIPTION

FIG. 1 is a rear perspective view of a mobile phone showing our new design;

FIG. 2 is a front view thereof;

FIG. 3 is a rear view thereof;

FIG. 4 is a left side view thereof;

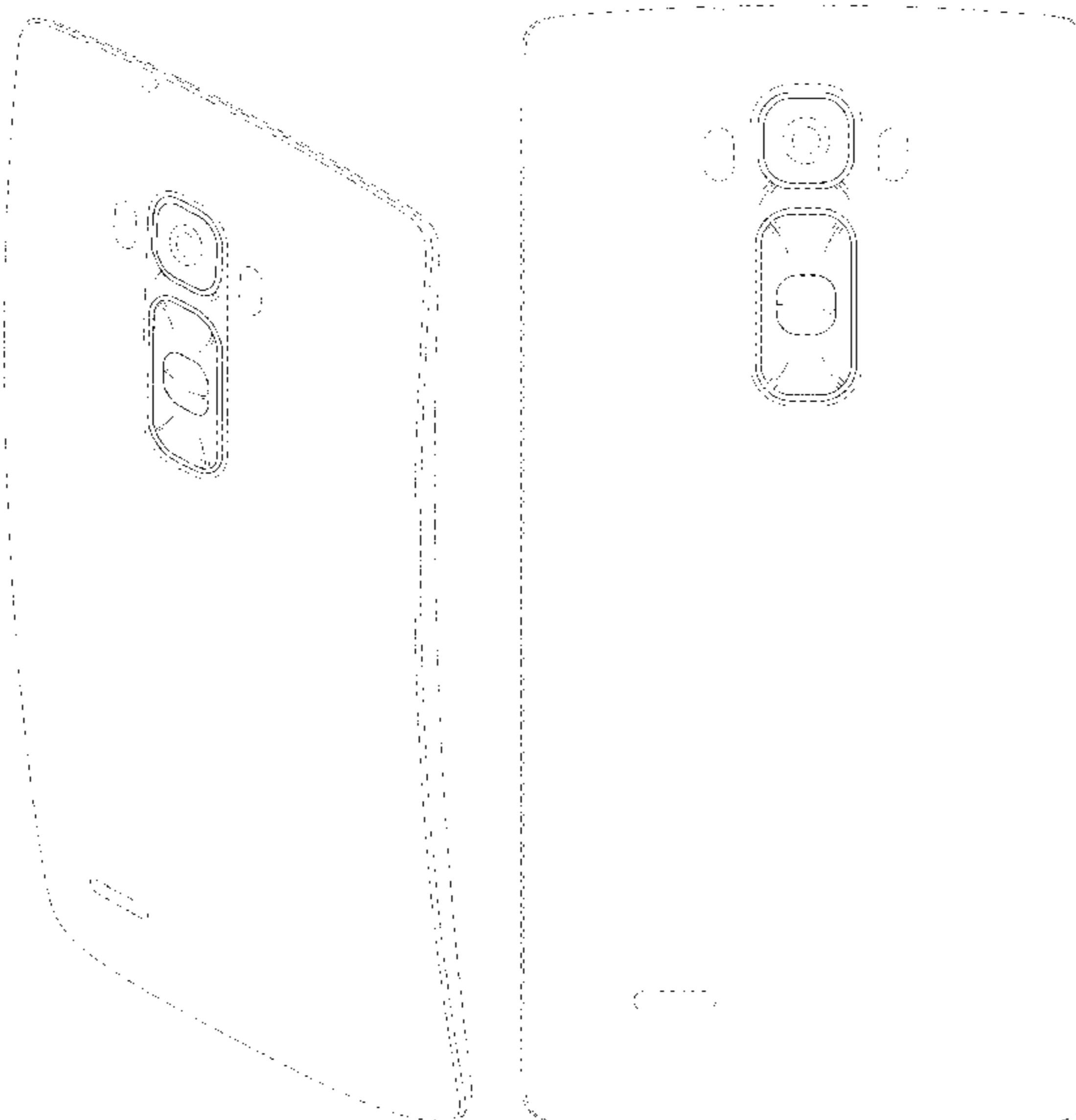
FIG. 5 is a right side view thereof;

FIG. 6 is a top plan view thereof; and,

FIG. 7 is a bottom plan view thereof.

The broken lines depict portions of the mobile phone that form no part of the claimed design. The dash-dot broken lines, and the outer-most broken line concentric circle, define the bounds of the claimed design and form no part thereof.

1 Claim, 6 Drawing Sheets



(56)

References Cited

U.S. PATENT DOCUMENTS

D732,500 S * 6/2015 Choe D14/138 G
 D734,733 S * 7/2015 Park D14/138 G
 D736,171 S * 8/2015 Lee D14/138 G
 D737,239 S * 8/2015 Lee D14/138 G
 D738,843 S * 9/2015 Yoon D14/138 G
 D738,871 S * 9/2015 Ryu D14/138 C
 D739,393 S * 9/2015 Chang D14/248
 D742,350 S * 11/2015 Lee D14/138 G
 D747,287 S * 1/2016 Chang D14/138 G
 D750,037 S * 2/2016 Joung D14/138 G
 D752,567 S * 3/2016 Lee D14/248
 D754,624 S * 4/2016 Kim D14/138 G
 D756,323 S * 5/2016 Seo D14/138 G
 D756,950 S * 5/2016 Kim D14/138 G
 D757,698 S * 5/2016 Lee, II D14/248
 D758,335 S * 6/2016 Lee D14/138 G
 D758,987 S * 6/2016 Kim D14/138 AA
 D761,749 S * 7/2016 Lee D14/138 AA
 D762,606 S * 8/2016 Kim D14/138 G
 D763,218 S * 8/2016 Lim D14/138 G
 D764,427 S * 8/2016 Park D14/138 G
 D764,428 S * 8/2016 Choe D14/138 G
 D764,429 S * 8/2016 Choe D14/138 G
 D764,430 S * 8/2016 Sovertkov D14/138 G
 D768,105 S * 10/2016 Kim D14/138 G
 D772,852 S * 11/2016 Choe D14/138 C

D780,733 S * 3/2017 Ahn D14/248
 D781,804 S * 3/2017 Park D14/138 G
 D781,828 S * 3/2017 Ryu D14/248
 2015/0141084 A1* 5/2015 Kim H04M 1/236
 455/575.1

OTHER PUBLICATIONS

LG G3, released Jun. 2014, © GSMarena.com [online], [site visited May 25, 2017]. Available from Internet, <URL: http://www.gsmarena.com/lg_g3-pictures-6294.php>.*
 LG G Pro 2, released Apr. 2014, © GSMarena.com [online], [site visited May 25, 2017]. Available from Internet, <URL: http://www.gsmarena.com/lg_g_pro_2-pictures-6052.php>.*
 LG G2 mini, released Apr. 2014, © GSMarena.com [online], [site visited May 25, 2017]. Available from Internet, <URL: http://www.gsmarena.com/lg_g2_mini-pictures-6077.php>.*
 LG G Flex, released Nov. 2013, © GSMarena.com [online], [site visited May 25, 2017]. Available from Internet, <URL: http://www.gsmarena.com/lg_g_flex-pictures-5806.php>.*
 LG G Flex 2, released Feb. 2015, © GSMarena.com [online], [site visited Jun. 21, 2017]. Available from Internet, <URL: http://www.gsmarena.com/lg_g_flex2-pictures-6916.php>.*
 LG Spirit, released Mar. 2015, © GSMarena.com [online], [site visited Jun. 21, 2017]. Available from Internet, <URL: http://www.gsmarena.com/lg_spirit-pictures-7052.php>.*

* cited by examiner

FIG. 1

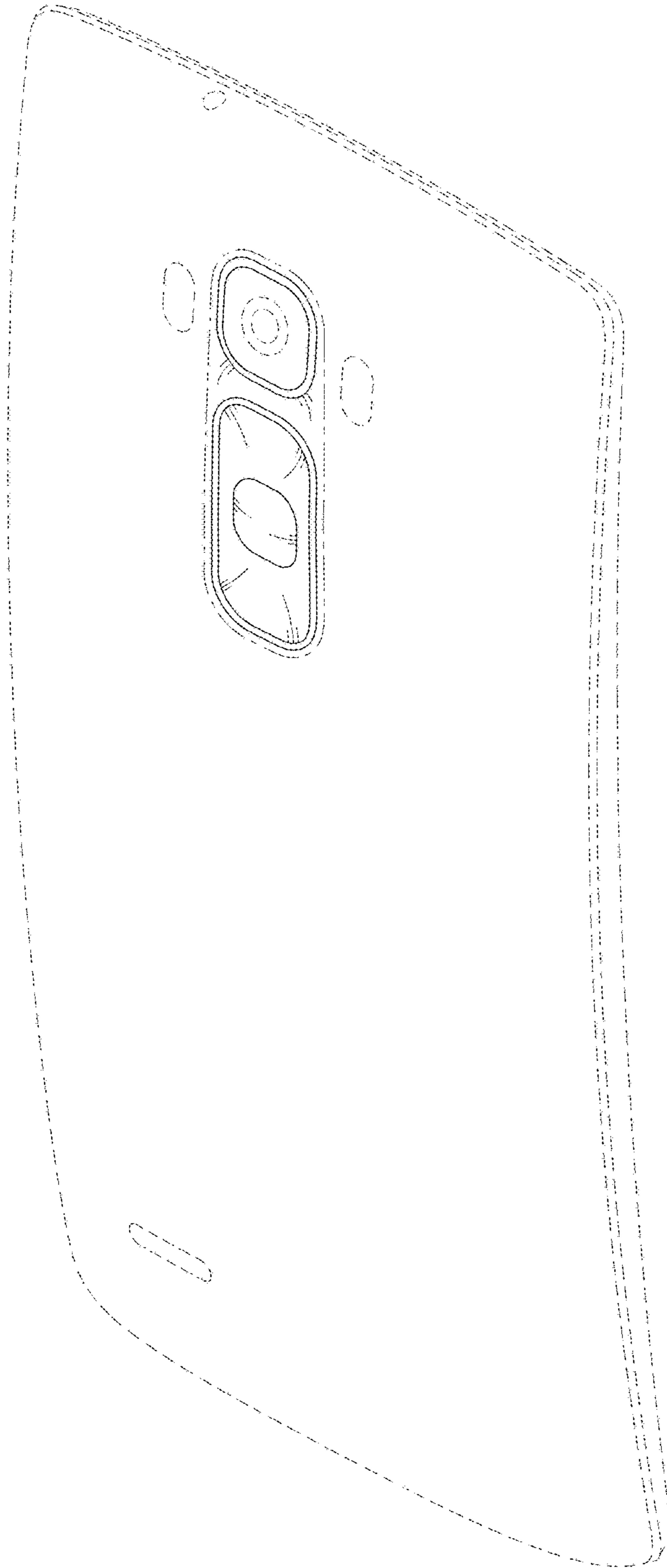


FIG. 2



FIG. 3

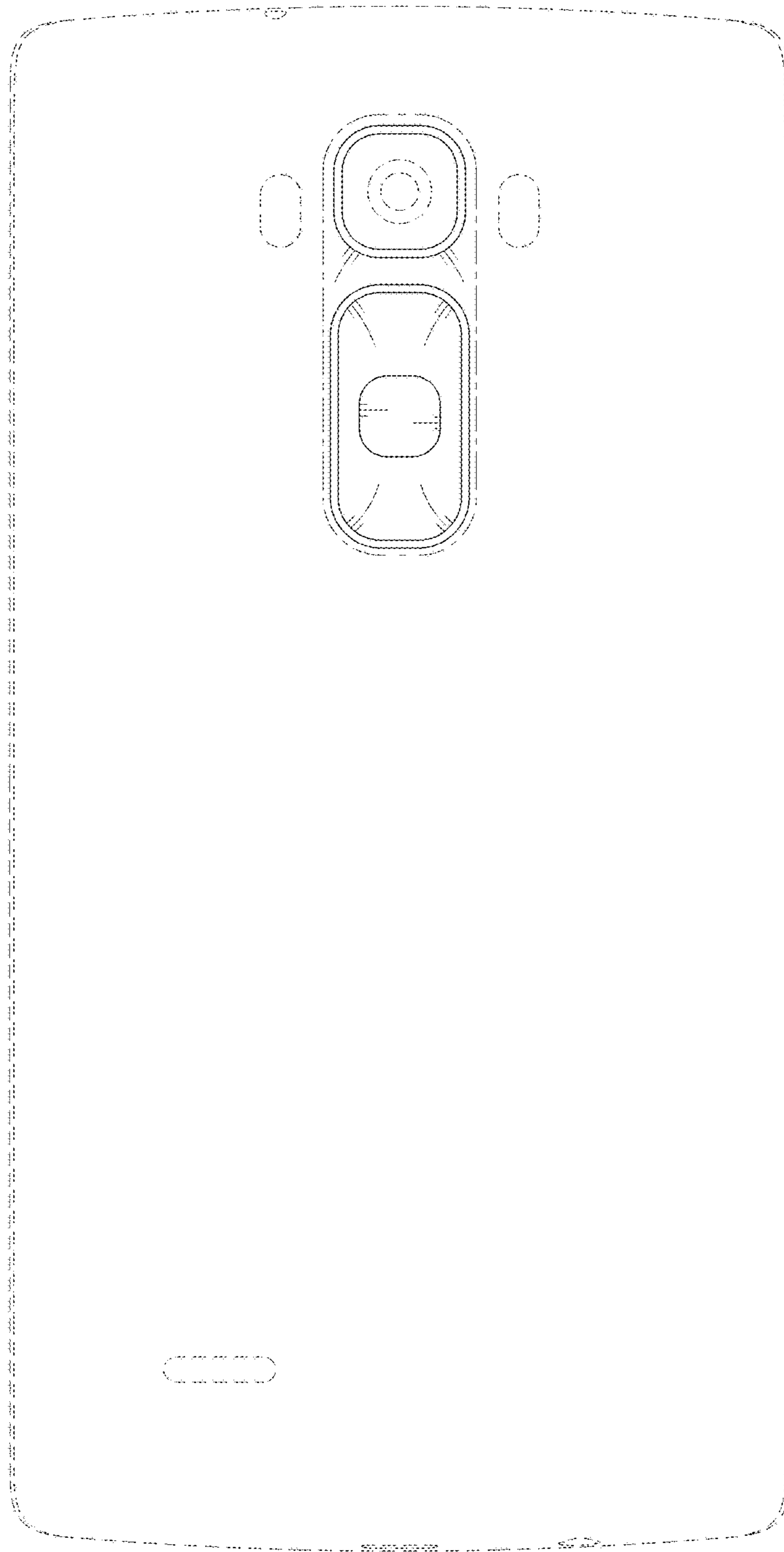


FIG. 4

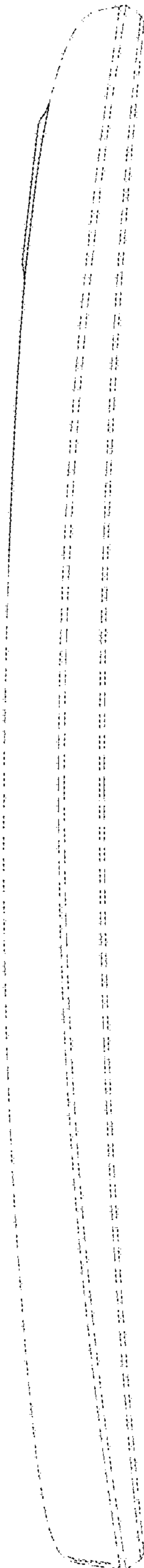


FIG. 5

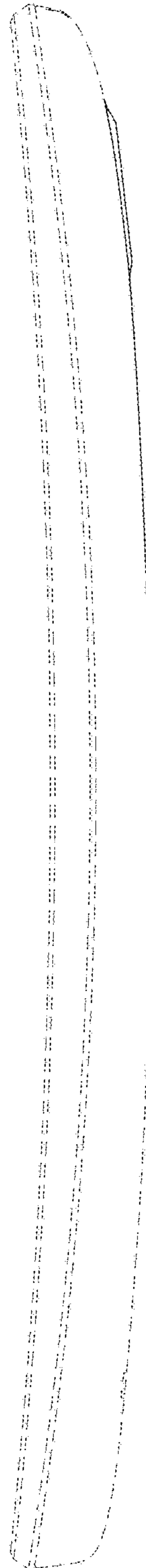


FIG. 6

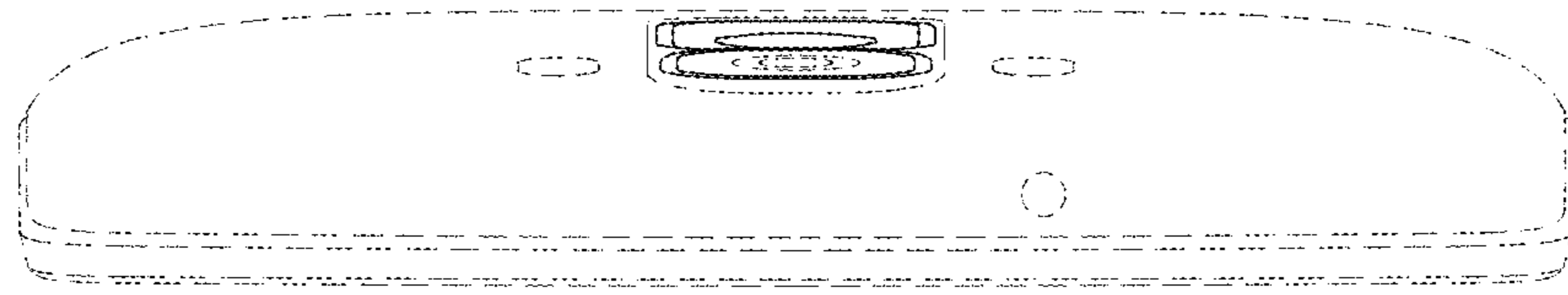


FIG. 7

