



US00D815074S

(12) **United States Design Patent**
Naweed

(10) **Patent No.:** **US D815,074 S**
(45) **Date of Patent:** **** Apr. 10, 2018**

(54) **ANTENNA**
(71) Applicant: **PVC Antenna, Inc.**, Tracy, CA (US)
(72) Inventor: **Shafiq A. Naweed**, Tracy, CA (US)
(73) Assignee: **PVC ANTENNA, INC.**, Tracy, CA (US)
(**) Term: **15 Years**
(21) Appl. No.: **29/606,816**
(22) Filed: **Jun. 7, 2017**
(51) **LOC (11) Cl.** **14-03**
(52) **U.S. Cl.**
USPC **D14/230**; D14/234; D14/235; D14/236
(58) **Field of Classification Search**
USPC D14/138, 230-238, 299, 358; D12/42, D12/43; 343/700 R-705, 711-713, 735, 343/736, 741, 748, 767, 795, 819, 840, 343/846, 866, 871-908; 455/90.2, 90.3, 455/91, 128, 269, 344, 347, 562.1
CPC H01Q 7/00; H01Q 13/10; H01Q 9/285; H01Q 19/30; H01Q 19/12; H01Q 1/38; H01Q 1/36; H04B 1/0475; H04B 1/034; H05K 11/00
See application file for complete search history.

(56) **References Cited**

U.S. PATENT DOCUMENTS

2,031,002 A * 2/1936 Moore E21B 15/00 182/228.1
D112,523 S * 12/1938 Guggenheim D14/230
2,419,552 A * 4/1947 Himmel H01Q 19/10 343/792
D155,113 S 9/1949 Trebules
D194,748 S * 3/1963 Rogers D14/230
3,335,420 A 8/1967 Silliman
D219,106 S * 11/1970 Greene D14/230
D227,676 S * 7/1973 Okada D14/230

D242,863 S 12/1976 Middlemark
D321,884 S * 11/1991 Barrett D14/230
5,111,212 A * 5/1992 DeSatnick H01Q 1/18 343/709
5,168,279 A 12/1992 Knight
D367,655 S 3/1996 Rak
D391,261 S * 2/1998 Harada D14/234
D413,892 S 9/1999 Lasater
D419,159 S 1/2000 Davi et al.
D469,082 S * 1/2003 Moles D14/234
D470,837 S 2/2003 Tourres
D506,749 S * 6/2005 Sullivan D14/230
D506,995 S 7/2005 Wilson
D532,412 S * 11/2006 Yang D14/234
D561,744 S * 2/2008 Whiteside D14/230
D652,026 S * 1/2012 Yukimoto D14/230
D738,868 S * 9/2015 Scott D14/230
D748,079 S * 1/2016 Dinsdale D14/230
D773,866 S * 12/2016 Hogberg D6/681
2008/0111761 A1 5/2008 Kan et al.

(Continued)

OTHER PUBLICATIONS

Magic Stick TV, <https://www.magicsticktv.com/>.

Primary Examiner — John Windmuller

(74) *Attorney, Agent, or Firm* — Cislo & Thomas, LLP

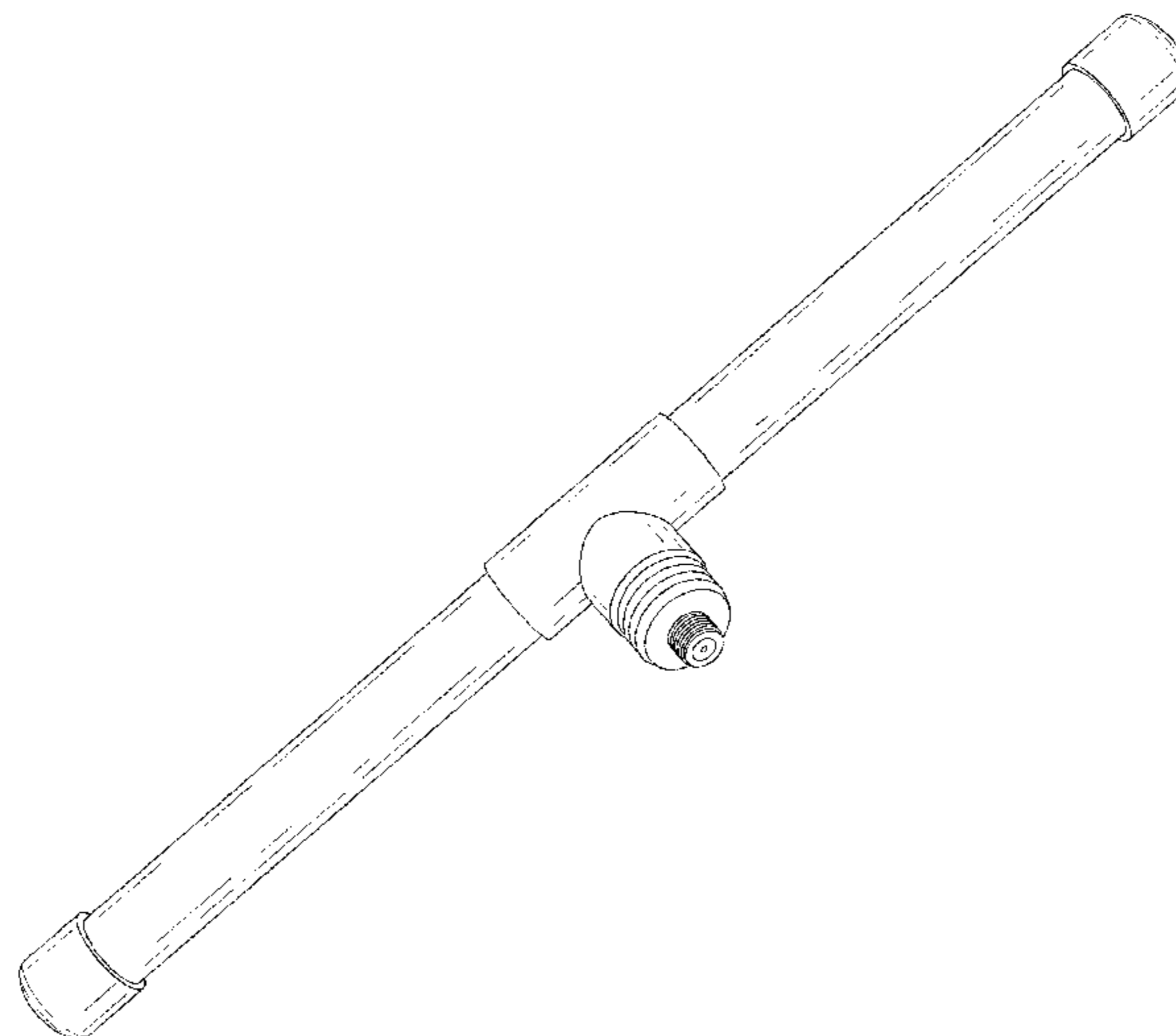
(57) **CLAIM**

The ornamental design for an antenna, as shown and described.

DESCRIPTION

FIG. 1 is a perspective view of my antenna;
FIG. 2 is a front view thereof;
FIG. 3 is a rear view thereof;
FIG. 4 is a right side view thereof;
FIG. 5 is a left side view thereof;
FIG. 6 is a top view thereof; and,
FIG. 7 is a bottom view thereof.

1 Claim, 3 Drawing Sheets



(56)

References Cited

U.S. PATENT DOCUMENTS

2009/0122400 A1* 5/2009 Adams G03B 21/56
359/461
2010/0214188 A1 8/2010 Furutani et al.
2012/0274530 A1 11/2012 Mimemura et al.

* cited by examiner

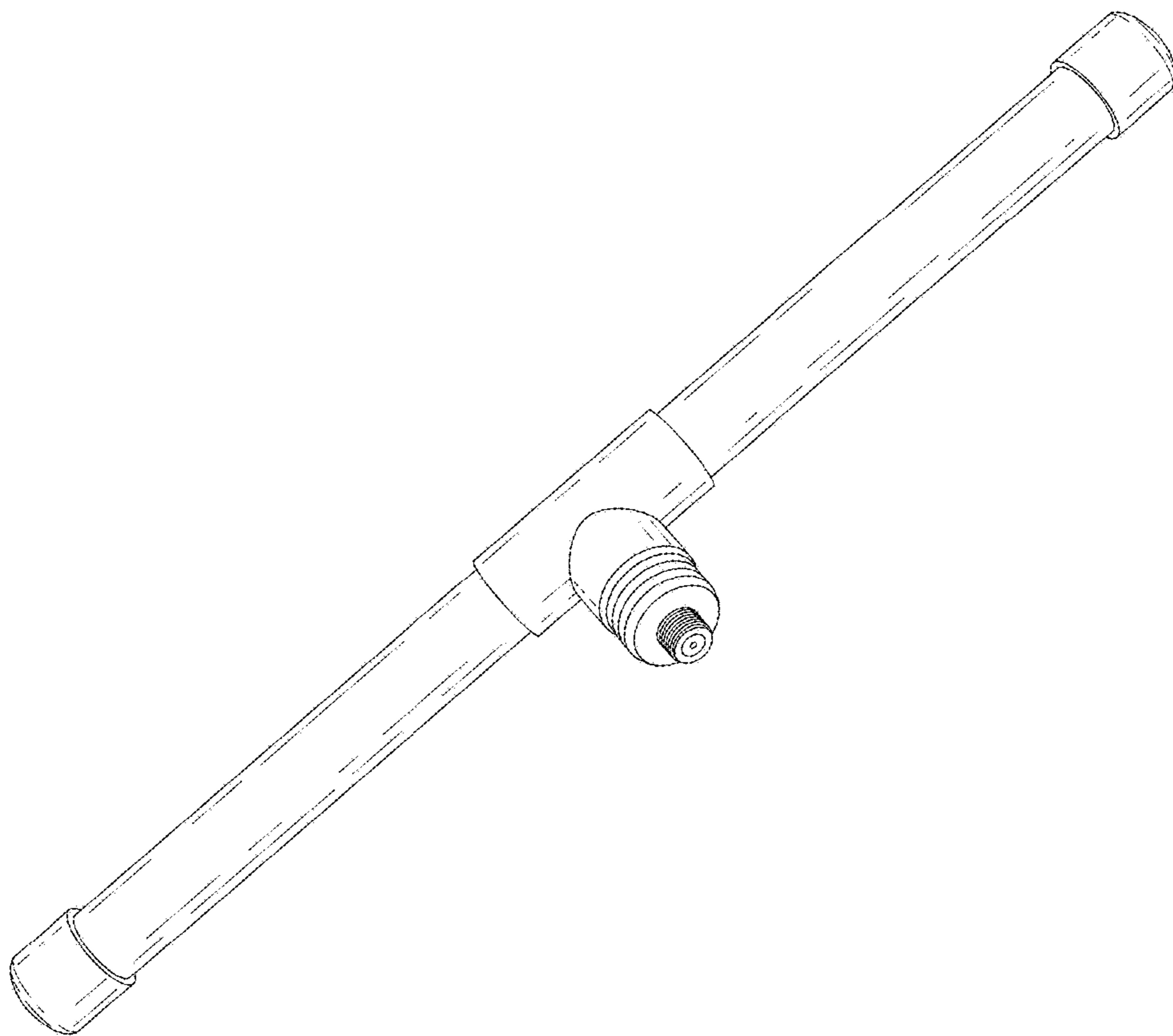


Fig. 1

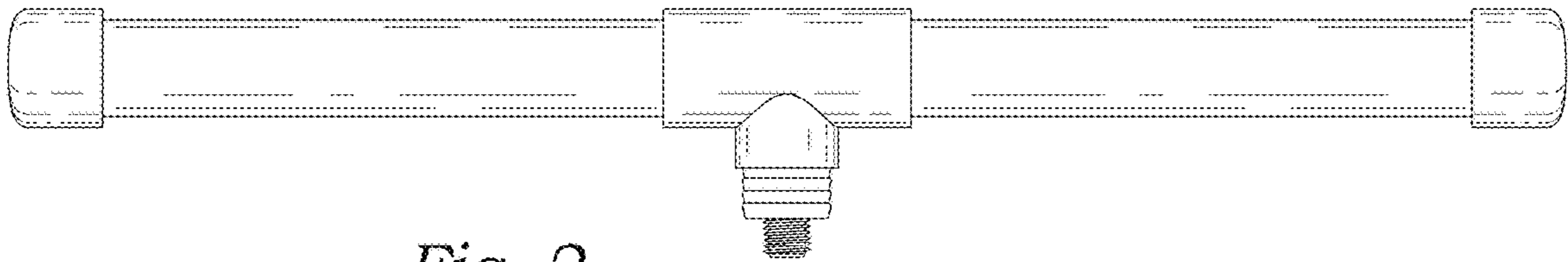


Fig. 2

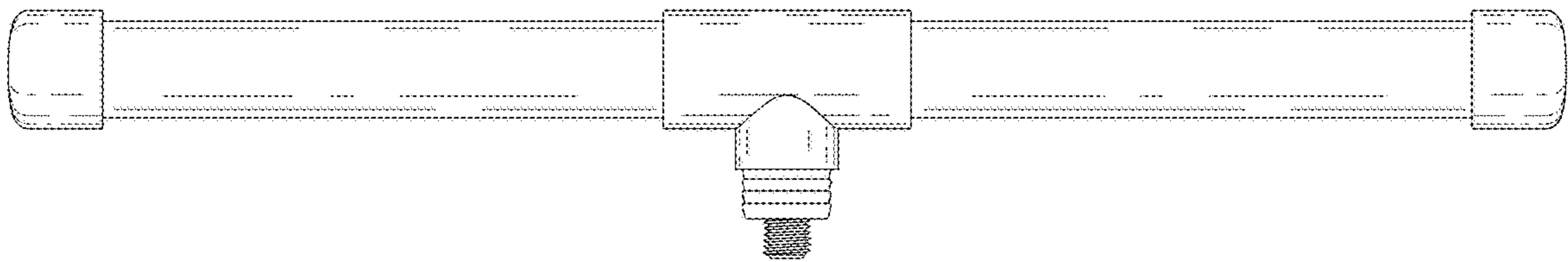


Fig. 3

Fig. 4

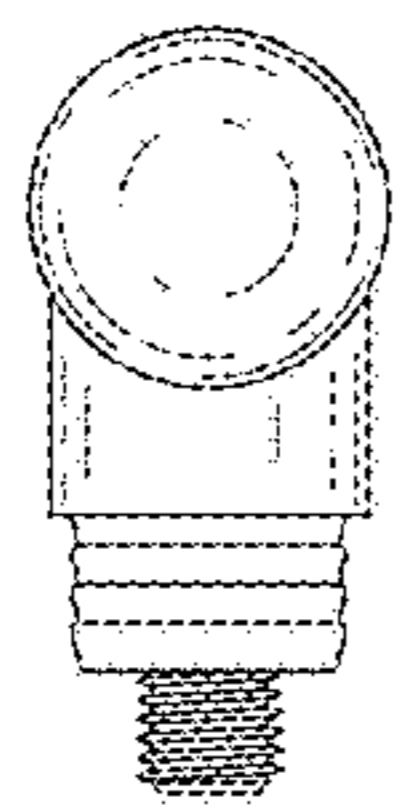
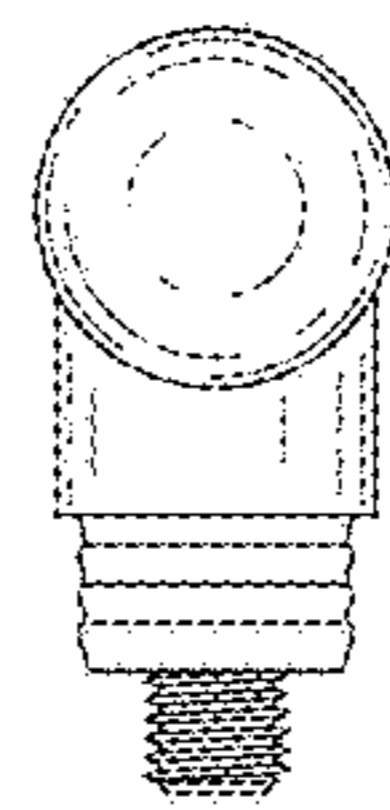


Fig. 5



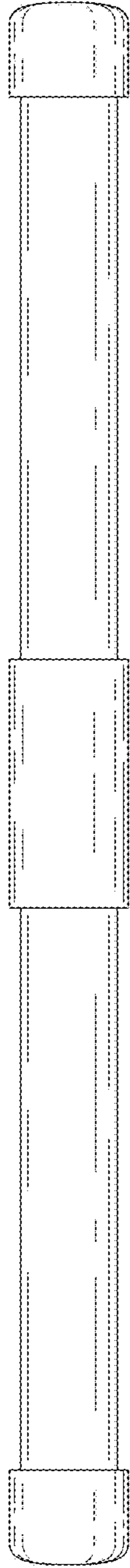


Fig. 6

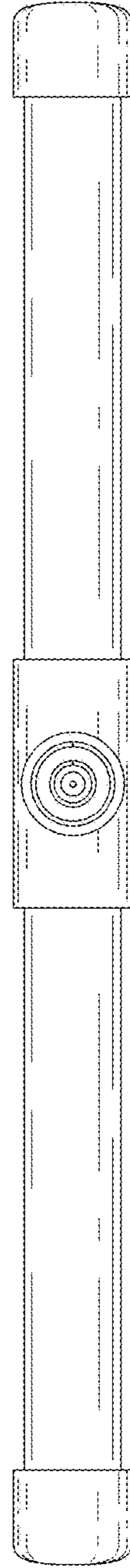


Fig. 7