



US00D815070S

(12) **United States Design Patent**
Elmieh et al.

(10) **Patent No.:** **US D815,070 S**
(45) **Date of Patent:** **** Apr. 10, 2018**

(54) **ELECTRONIC DEVICE**

(71) Applicant: **Facebook, Inc.**, Menlo Park, CA (US)

(72) Inventors: **Baback Elmieh**, Palo Alto, CA (US);
Alexandre Jais, Menlo Park, CA (US);
Rex Wenters Crossen, Piedmont, CA (US);
Steve Sangik Lee, San Francisco, CA (US);
Achille Biteau, San Francisco, CA (US);
Victoria Slaker, San Francisco, CA (US);
Clara Stefanov Wagner, San Francisco, CA (US);
Zoltan Laszlo, San Francisco, CA (US);
Arturo Meuniot, San Francisco, CA (US)

(73) Assignee: **Facebook, Inc.**, Menlo Park, CA (US)

(**) Term: **15 Years**

(21) Appl. No.: **29/589,311**

(22) Filed: **Dec. 29, 2016**

(51) **LOC (11) Cl.** **14-01**

(52) **U.S. Cl.**
USPC **D14/225; D14/240**

(58) **Field of Classification Search**

USPC ... D14/227, 225, 358, 357, 204, 209.1, 211,
D14/214, 215, 221, 140, 142, 240, 242,
D14/241, 314, 348, 217, 168, 137, 194,
D14/159, 349, 356, 496, 501, 299, 40;
D16/202; D13/107; D9/423, 432;
361/752; D10/106.1; 381/380, 381, 386;
379/428.04, 420.01; 455/90.3, 575.1,
455/569.1
CPC H04R 1/02; H04R 1/28; H05K 5/00; G06F
1/16

See application file for complete search history.

(56) **References Cited**

U.S. PATENT DOCUMENTS

2,890,297	A *	6/1959	Lehr	H04R 1/08 181/148
3,443,162	A *	5/1969	Nudelmont	H01R 25/003 174/59
D214,452	S *	6/1969	Christiansen	D14/225
3,722,616	A *	3/1973	Beavers	H04R 1/347 181/155
3,916,103	A *	10/1975	Morrell	H04M 1/02 379/428.04
4,090,033	A *	5/1978	Silverstein	H04R 27/04 381/75
D258,577	S *	3/1981	Bottner	D10/104.1
D275,752	S *	10/1984	Mahan	D14/240
D284,084	S *	6/1986	Ferrara, Jr.	D14/389
D306,583	S *	3/1990	Krolopp	D13/184
D307,274	S *	4/1990	Sasaki	379/420.01
4,939,623	A *	7/1990	Equi	H01F 27/027 336/107
4,947,437	A *	8/1990	Firebaugh	H04R 5/027 381/170

(Continued)

Primary Examiner — Paula Allen Greene

(74) *Attorney, Agent, or Firm* — Fenwick & West LLP

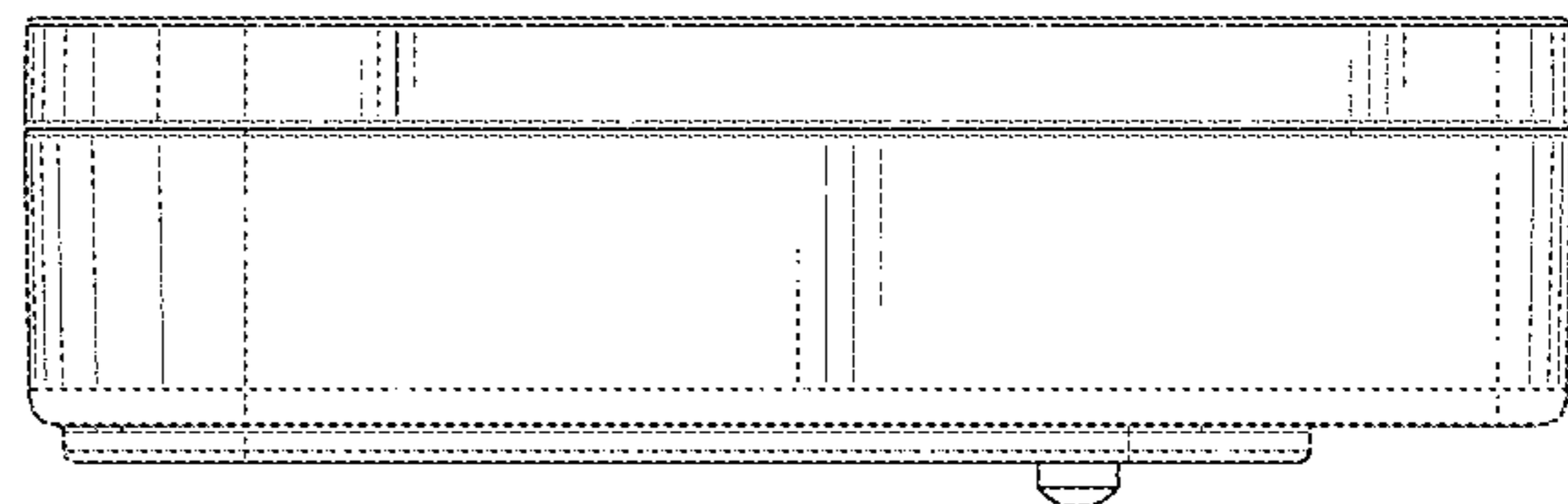
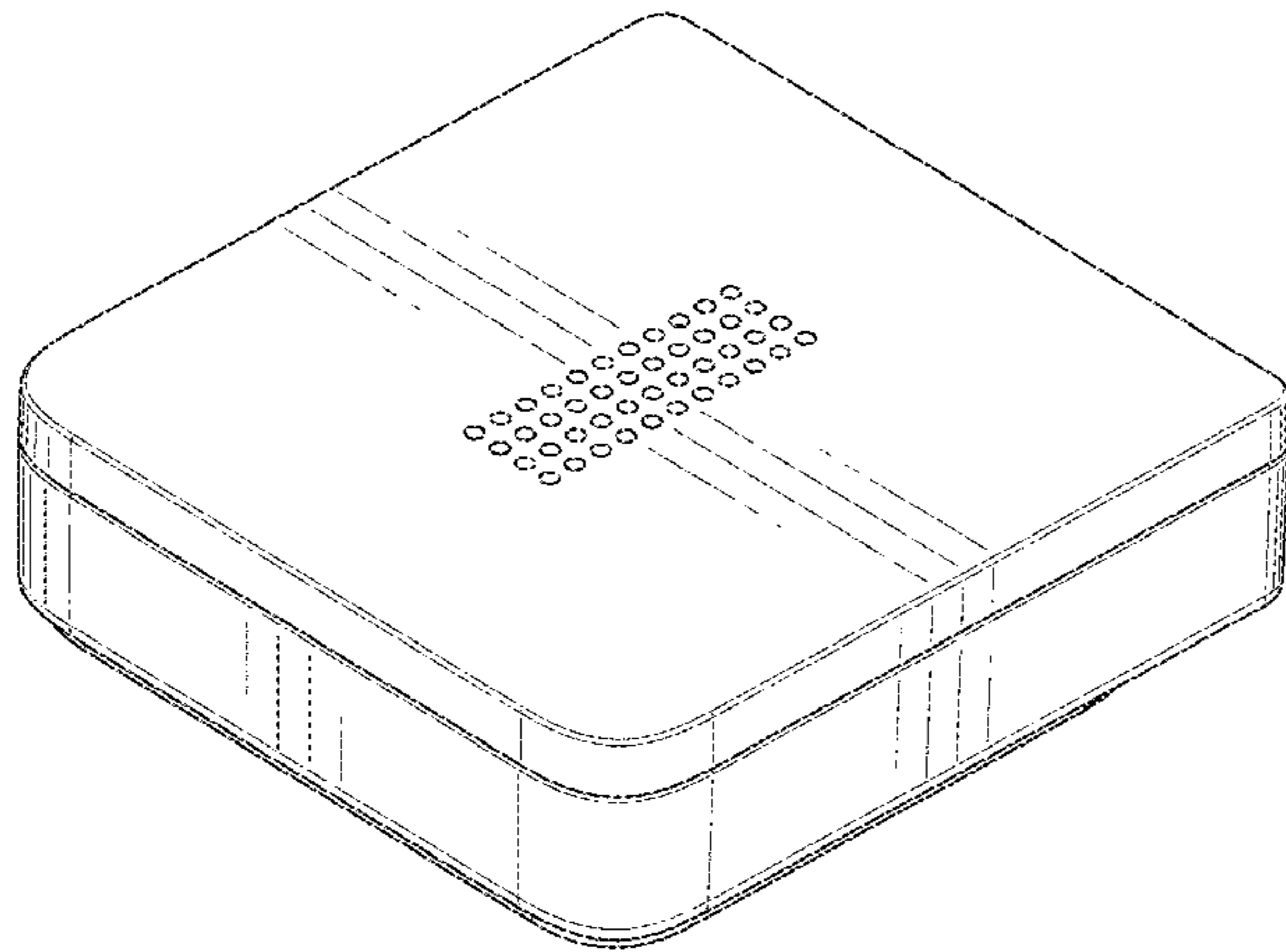
(57) **CLAIM**

The ornamental design for an electronic device, as shown and described.

DESCRIPTION

FIG. 1 is a perspective view of an electronic device, showing our new design;
FIG. 2 is a front view thereof;
FIG. 3 is a rear view thereof;
FIG. 4 is a left side view thereof;
FIG. 5 is a right side view thereof;
FIG. 6 is a top view thereof; and,
FIG. 7 is a bottom view thereof.
The broken lines depicted in the figures form no part of the claimed design.

1 Claim, 7 Drawing Sheets



(56)

References Cited

U.S. PATENT DOCUMENTS

5,019,767	A *	5/1991	Shirai	H01M 2/105	D587,659	S *	3/2009	Li	D13/162
						D596,626	S *	7/2009	Andre	D14/240
D324,388	S *	3/1992	Pulio, Jr.	D14/210	D596,634	S *	7/2009	Wong	D14/358
5,099,514	A *	3/1992	Acree	H04M 1/6033	D604,725	S *	11/2009	Chen	D13/184
						D616,466	S *	5/2010	Sheppard	D14/501
						D618,676	S *	6/2010	Hui	D14/300
D330,890	S *	11/1992	Loew	D14/345	D620,006	S *	7/2010	Bull	D14/356
D333,651	S *	3/1993	Itou	D13/108	D620,953	S *	8/2010	Andre	D14/203.3
D351,564	S *	10/1994	Schepis	D10/104.1	D624,920	S *	10/2010	Sheppard	D14/435.1
D351,841	S *	10/1994	Blankenship	D14/242	D629,794	S *	12/2010	Aarrestad	D14/225
D352,039	S *	11/1994	Yurkonis	D14/225	D636,534	S *	4/2011	Lai	D28/83
D356,571	S *	3/1995	Garmon	D14/225	D641,327	S *	7/2011	Falakfarsa	D14/125
D364,618	S *	11/1995	Somoza	D14/142	D644,204	S *	8/2011	Poandl	D14/215
D369,149	S *	4/1996	Chang	D14/239	D649,541	S *	11/2011	Morenstein	D14/314
D370,667	S *	6/1996	Chen	D14/239	D658,598	S *	5/2012	Ling	D13/177
D375,937	S *	11/1996	Mergenthaler	D13/110	D658,647	S *	5/2012	Tsai	D14/356
D376,149	S *	12/1996	Moose	D14/214	D663,723	S *	7/2012	Ashiwa	D14/227
D380,199	S *	6/1997	Beruscha	D10/75	D669,059	S *	10/2012	Huang	D14/240
D381,647	S *	7/1997	Terng	D14/217	D671,115	S *	11/2012	Phillips	D14/301
D396,471	S *	7/1998	Kolinen	D14/240	D673,554	S *	1/2013	Simmer	D14/250
D417,223	S *	11/1999	Groves	D14/125	D685,346	S *	7/2013	Szymanski	D14/214
D433,013	S *	10/2000	Yuyama	D14/227	D686,065	S *	7/2013	Kuo	D9/432
D433,382	S *	11/2000	Lytel	D13/123	D686,182	S *	7/2013	Ashiwa	D14/149
D437,311	S *	2/2001	Nam	D14/227	D686,201	S *	7/2013	Lee	D14/314
D458,911	S *	6/2002	Kataoka	D14/129	D695,711	S *	12/2013	Szymanski	D14/214
D463,414	S *	9/2002	Gao	D13/182	D705,719	S *	5/2014	Wong	D13/103
D468,272	S *	1/2003	Parsadayan	D13/162	D705,748	S *	5/2014	He	D14/155
D476,977	S *	7/2003	Gao	D13/182	D706,249	S *	6/2014	Holzer	D14/240
D489,353	S *	5/2004	Right	D14/172	D707,202	S *	6/2014	McManigal	D14/214
D511,343	S *	11/2005	Solomon	D14/356	D710,336	S *	8/2014	Aarrestad	D14/227
D523,002	S *	6/2006	Song	D14/225	D719,561	S *	12/2014	Akana	D14/314
D523,014	S *	6/2006	Liu	D14/240	D720,347	S *	12/2014	Lo	D14/348
D525,968	S *	8/2006	Peng	D14/300	D745,480	S *	12/2015	Mathews	D14/125
D526,643	S *	8/2006	Ishizaki	D14/214	D751,526	S *	3/2016	Habraken	D14/204
D532,785	S *	11/2006	Lo	D14/363	D758,366	S *	6/2016	Peng	D14/363
D536,333	S *	2/2007	McRae	D14/240	D778,889	S *	2/2017	Nagao	D14/240
D542,288	S *	5/2007	Andre	D14/314	2004/0032711	A1 *	2/2004	Kaczeus, Sr.	G06F 1/184
D562,813	S *	2/2008	Storti	D14/240						361/679.33
D574,823	S *	8/2008	Wung	D14/240	2008/0144270	A1 *	6/2008	Dal Porto	H05K 5/0278
D575,801	S *	8/2008	Kusano	D14/496						361/679.31
D580,422	S *	11/2008	Lee	D14/240	2009/0245566	A1 *	10/2009	Jheng	H04R 11/02
D583,367	S *	12/2008	Chen	D14/240						381/386
D584,287	S *	1/2009	Pauschitz	D14/214	2013/0280940	A1 *	10/2013	Pai	H01R 13/62
D585,055	S *	1/2009	Sabag	D14/300						439/345
D587,267	S *	2/2009	Wang	D14/356	2013/0329935	A1 *	12/2013	Guenther	H04R 1/2834
											381/386

* cited by examiner

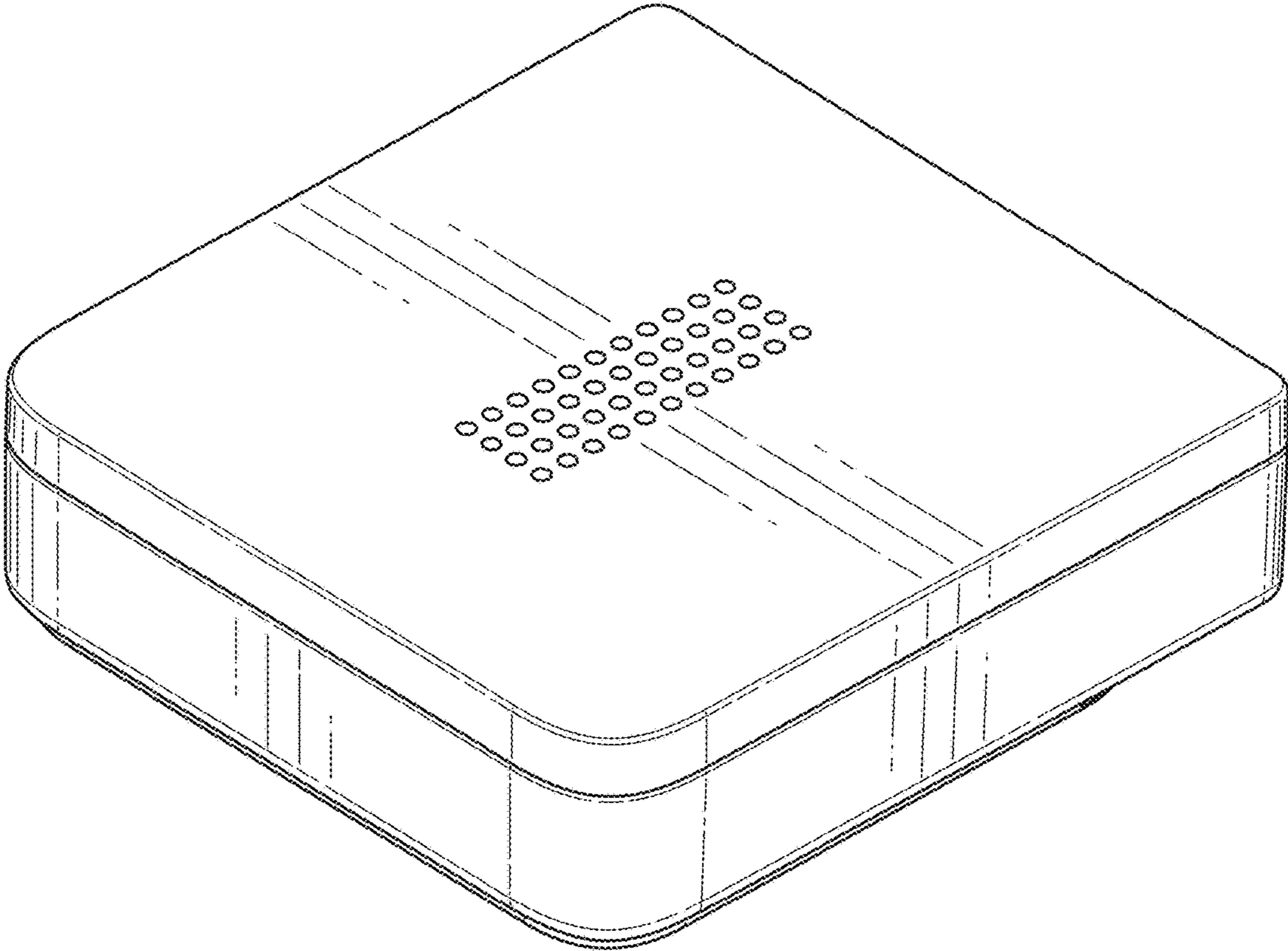


FIG. 1

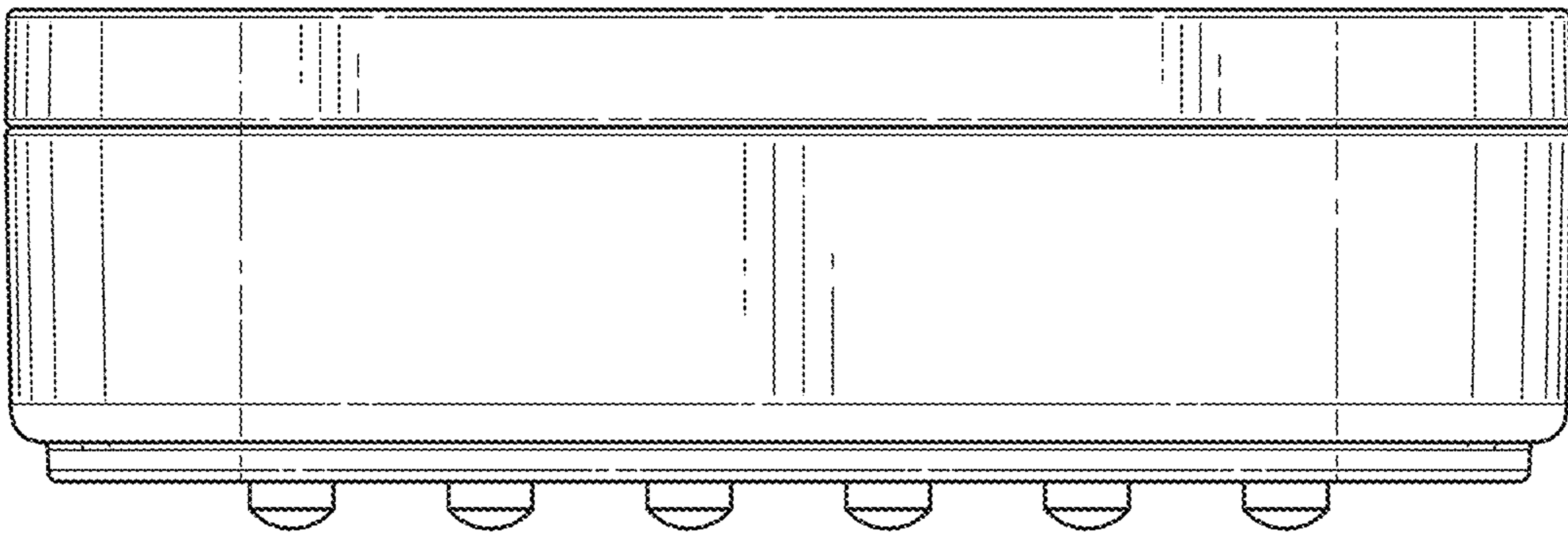


FIG. 2

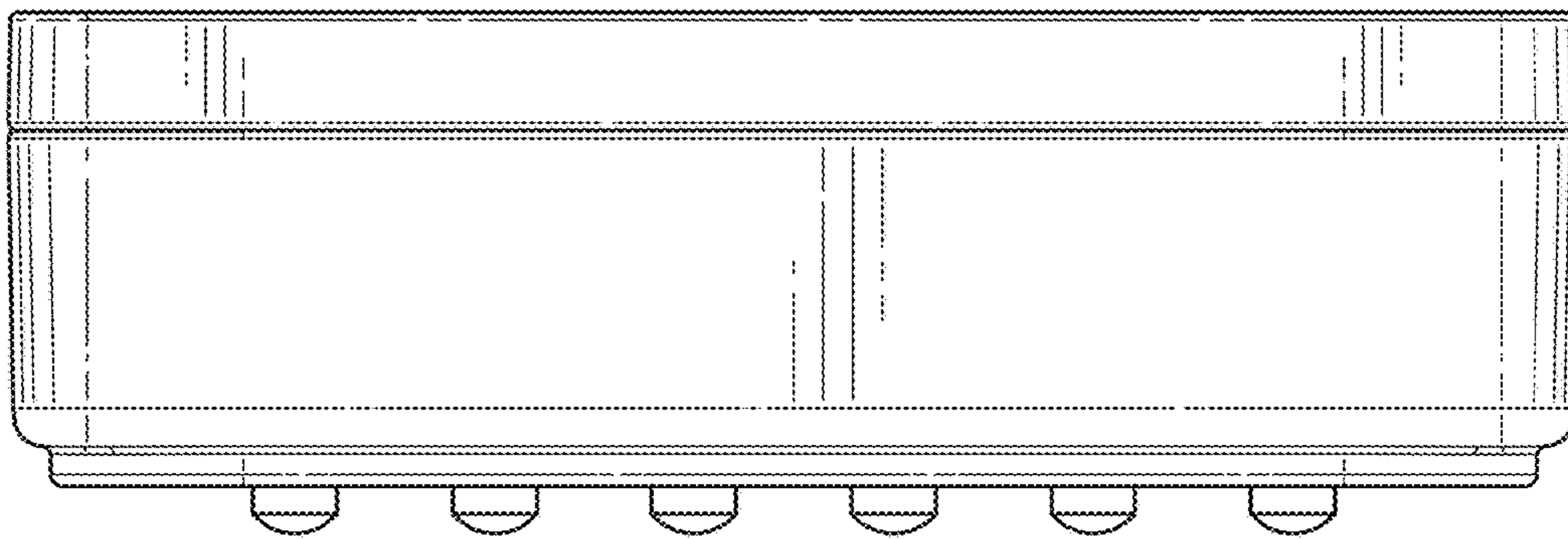


FIG. 3

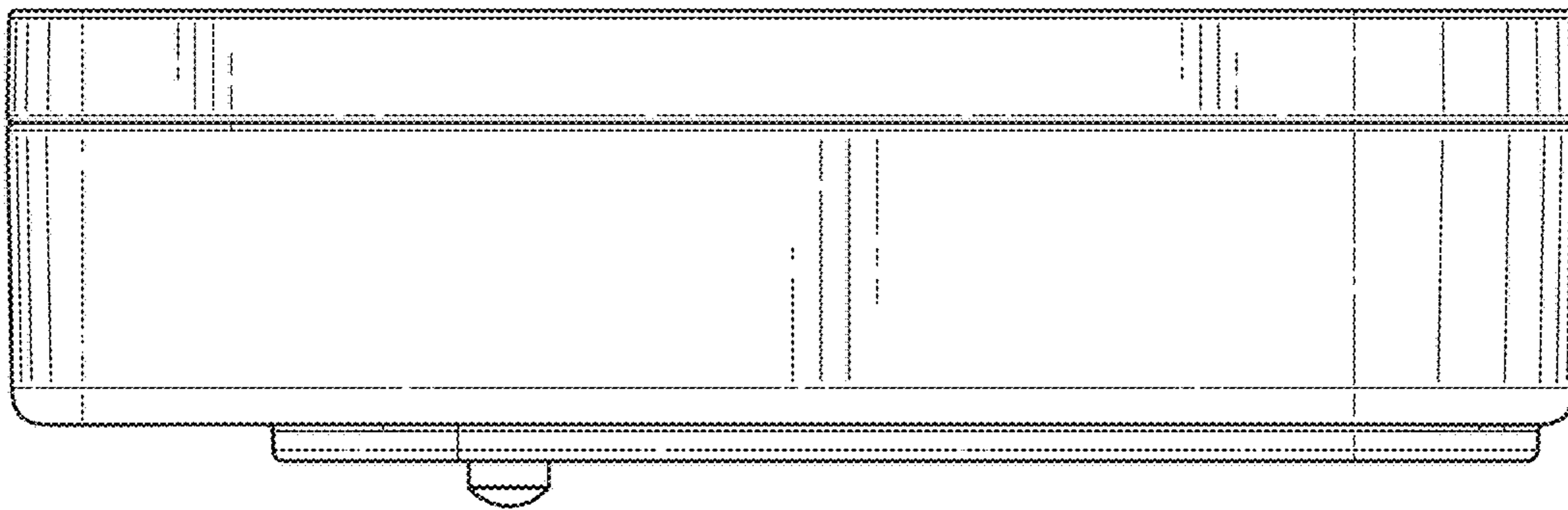


FIG. 4

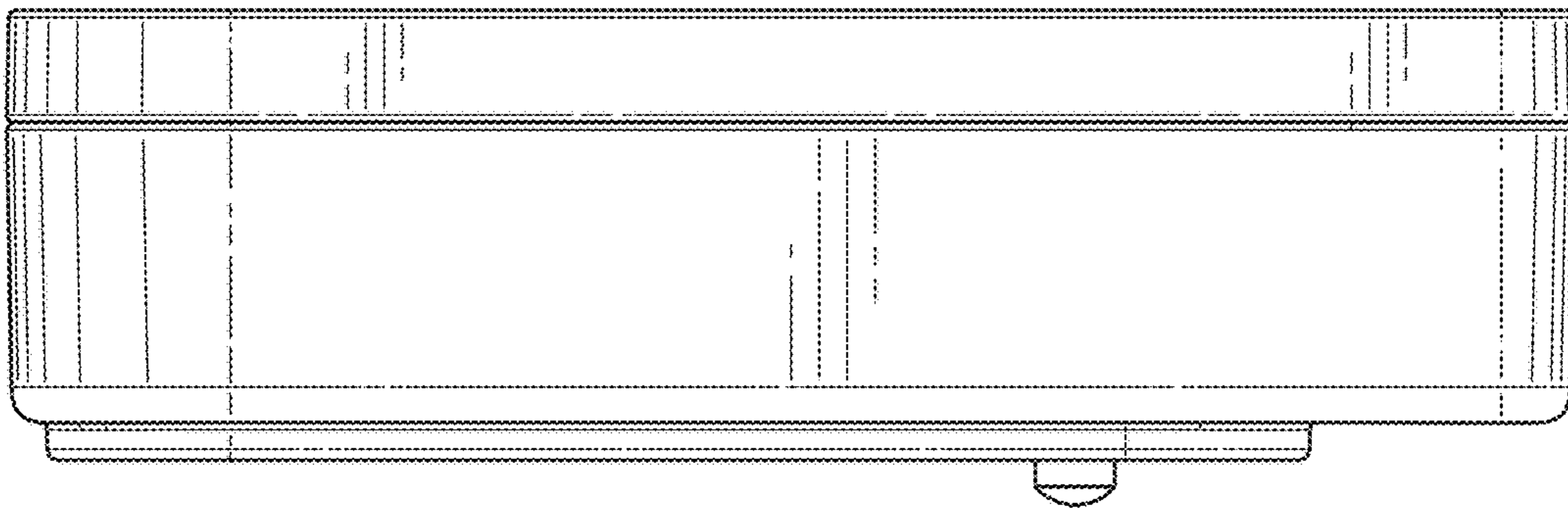


FIG. 5

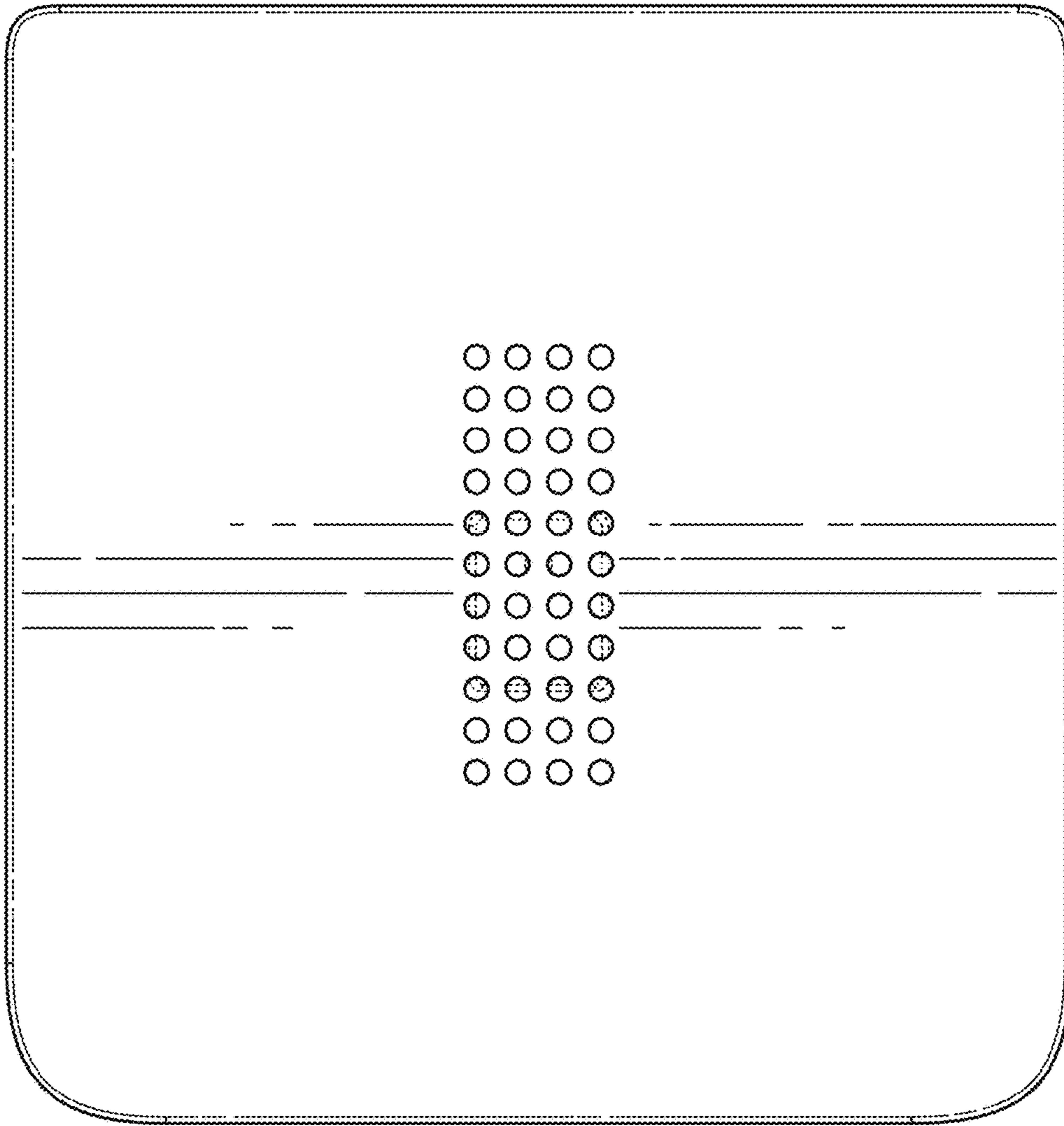


FIG. 6

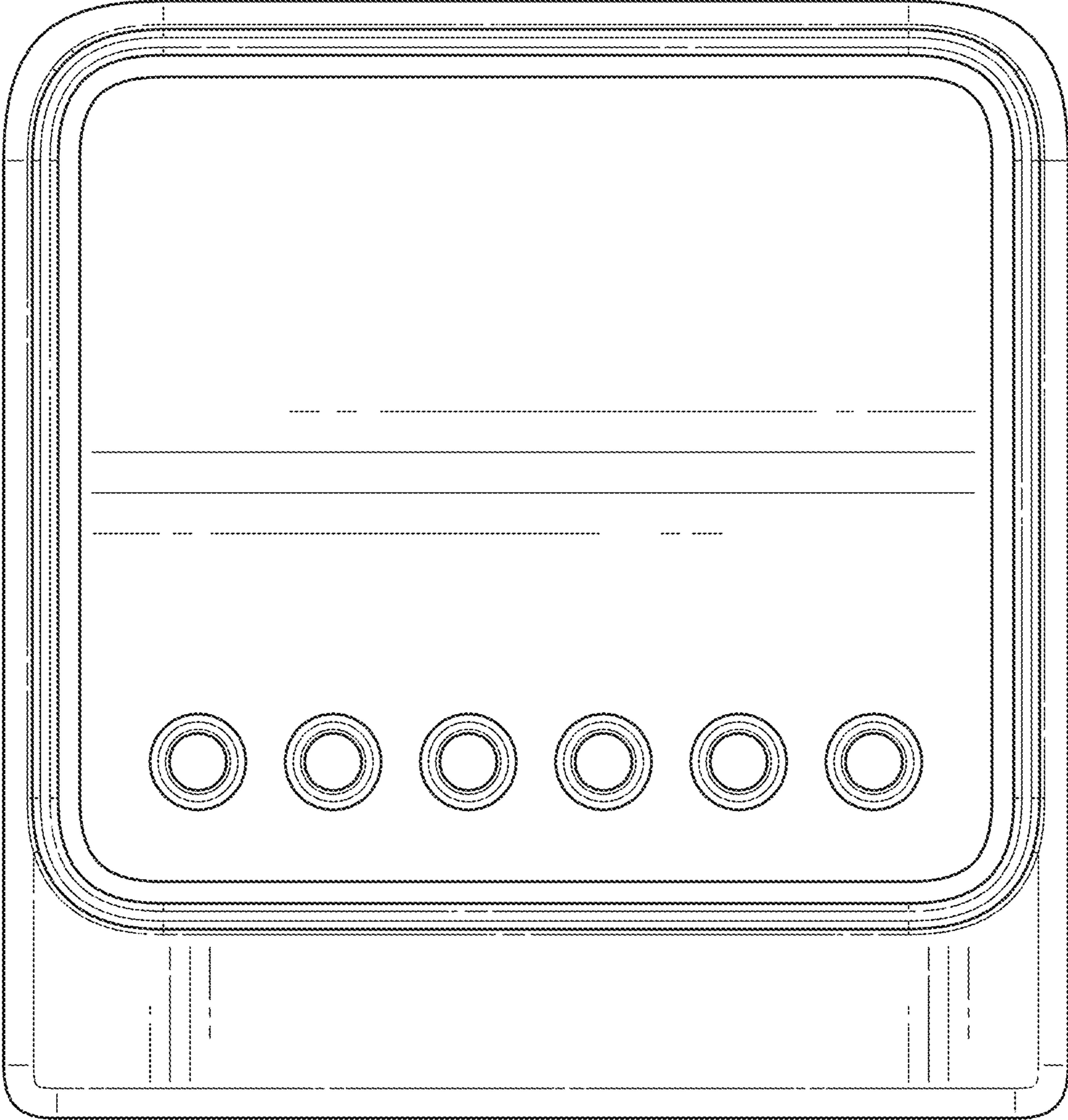


FIG. 7