



US00D815069S

(12) **United States Design Patent**  
**Xiong**

(10) **Patent No.:** **US D815,069 S**

(45) **Date of Patent:** **\*\* Apr. 10, 2018**

(54) **EARPHONE**

(71) Applicant: **JAYFI INC**, Dover, Kent, DE (US)

(72) Inventor: **Honghua Xiong**, Fujian (CN)

(73) Assignee: **JAYFI INC**, Dover

(\*\*) Term: **15 Years**

(21) Appl. No.: **29/589,521**

(22) Filed: **Jan. 2, 2017**

(51) **LOC (11) Cl.** ..... **14-01**

(52) **U.S. Cl.**  
USPC ..... **D14/223**

(58) **Field of Classification Search**  
USPC ..... D14/223, 205; D24/174, 106; 181/129,  
181/130, 135; 379/430, 431; 381/380,  
381/381, 374, 72, 370, 371; 455/90.3,  
455/575.1, 569.1  
CPC ..... H04R 1/10; H04R 25/00; H04R 25/02;  
H04R 1/1016; H04R 1/1091  
See application file for complete search history.

(56) **References Cited**

**U.S. PATENT DOCUMENTS**

- 5,363,444 A \* 11/1994 Norris ..... H04M 1/05  
379/430
- 5,373,555 A \* 12/1994 Norris ..... H04M 1/05  
379/430
- 5,410,608 A \* 4/1995 Lucey ..... H04R 1/083  
381/360
- D531,169 S \* 10/2006 Tokioka ..... D14/223
- D539,268 S \* 3/2007 Suzuki ..... D14/206
- D554,627 S \* 11/2007 Gondo ..... D14/223
- D556,741 S \* 12/2007 Yeo ..... D14/205
- D567,154 S \* 4/2008 Cunningham ..... D12/163
- D567,217 S \* 4/2008 Kamo ..... D14/205
- D572,703 S \* 7/2008 Ledbetter ..... D14/205
- D579,005 S \* 10/2008 Wilhelmsen ..... D14/223

- D587,681 S \* 3/2009 Yanai ..... D14/205
- D587,685 S \* 3/2009 Densho ..... D14/206
- D589,498 S \* 3/2009 Komiyama ..... D14/223
- D598,894 S \* 8/2009 Masuda ..... D14/205
- D599,778 S \* 9/2009 Ando ..... D14/205
- D627,764 S \* 11/2010 Tsai ..... D14/223
- D628,564 S \* 12/2010 Chong ..... D14/223
- D629,395 S \* 12/2010 Lee ..... D14/223
- D642,163 S \* 7/2011 Lee ..... D14/223
- D643,416 S \* 8/2011 Chong ..... D14/223
- D647,081 S \* 10/2011 Kwon ..... D14/223
- D660,290 S \* 5/2012 Weedon ..... D14/223
- D678,251 S \* 3/2013 Cantoni ..... D14/223
- 8,391,536 B2 \* 3/2013 Hashimoto ..... H04R 1/1016  
381/370
- D679,267 S \* 4/2013 Lee ..... D14/223
- D680,102 S \* 4/2013 Chen ..... D14/223
- 8,422,717 B2 \* 4/2013 Lin ..... H04R 1/1091  
181/129
- 8,712,087 B2 \* 4/2014 Ozawa ..... H04R 1/345  
181/130
- D718,286 S \* 11/2014 Yang ..... D14/223

(Continued)

*Primary Examiner* — Paula Allen Greene

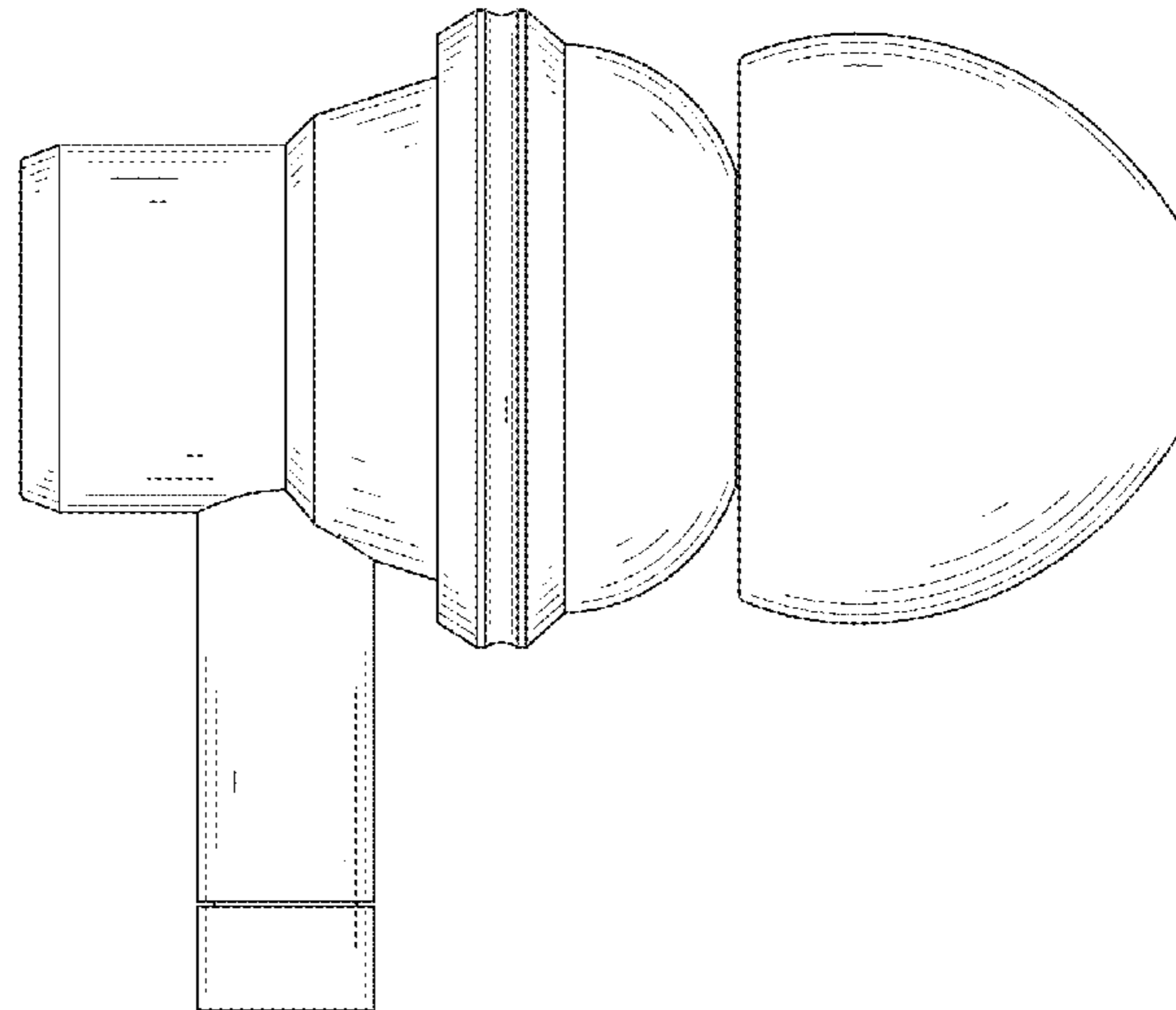
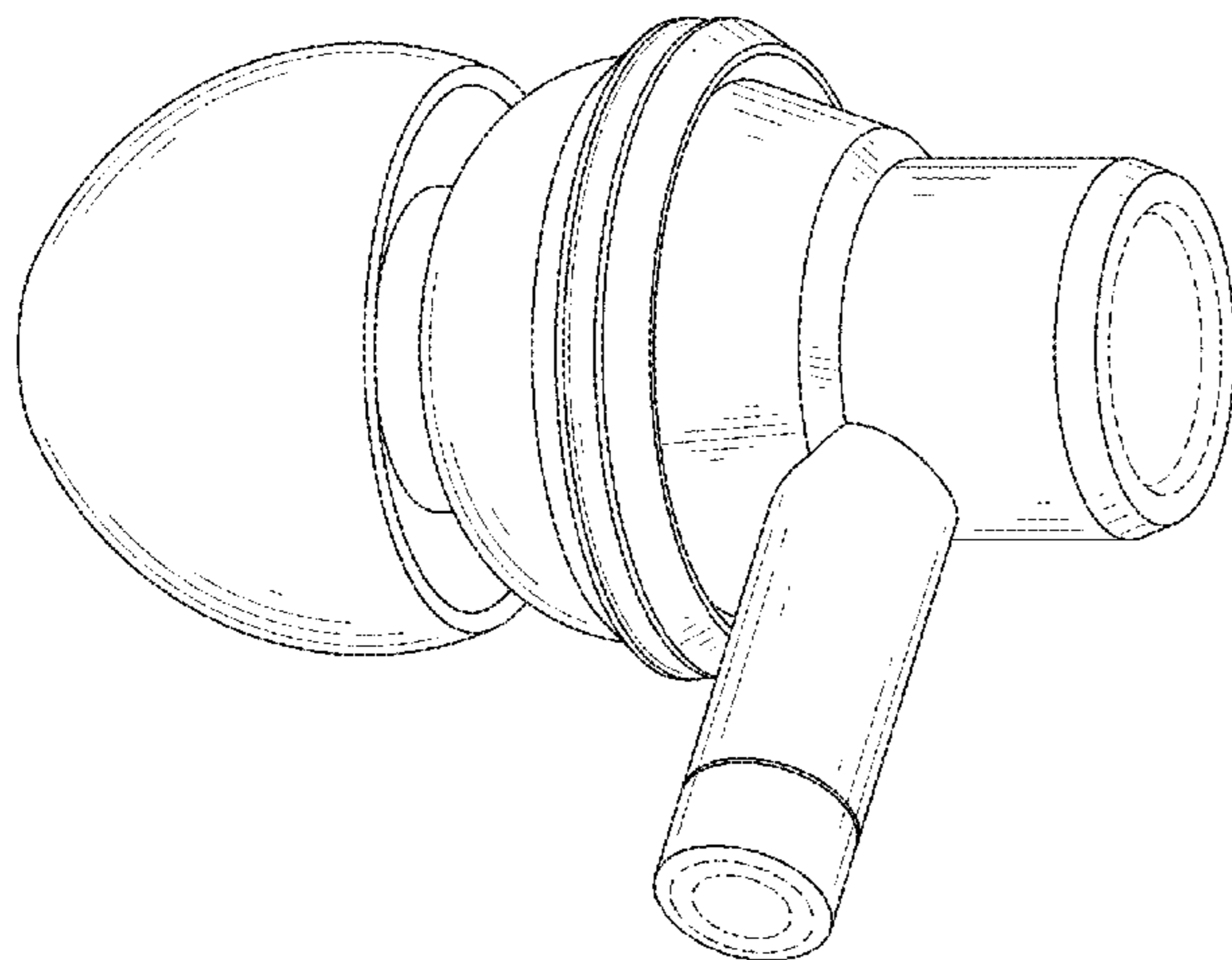
(57) **CLAIM**

The ornamental design for an earphone, as shown and described.

**DESCRIPTION**

FIG. 1 is a perspective view of an earphone showing my new design;  
FIG. 2 is a front elevational view thereof;  
FIG. 3 is a rear elevational view thereof;  
FIG. 4 is a left side view thereof;  
FIG. 5 is a right side view thereof;  
FIG. 6 is a top plan view thereof; and,  
FIG. 7 is a bottom plan view thereof.  
The broken lines in the drawings illustrate portions of the earphone which form no part of the claimed design.

**1 Claim, 7 Drawing Sheets**



(56)

**References Cited**

U.S. PATENT DOCUMENTS

D732,509 S \* 6/2015 Brunner ..... H04R 25/00  
D14/223  
D735,699 S \* 8/2015 Yasuda ..... D14/223  
D746,268 S \* 12/2015 Karayiannis ..... D14/223  
D746,792 S \* 1/2016 Kim ..... D14/205  
D751,530 S \* 3/2016 Kolton ..... D14/205  
D760,202 S \* 6/2016 Hsieh ..... D14/223  
D762,196 S \* 7/2016 Hsieh ..... D14/223  
D762,616 S \* 8/2016 Hsieh ..... D14/205  
D775,108 S \* 12/2016 Hsieh ..... D14/223  
D780,155 S \* 2/2017 Levine ..... D14/205  
2007/0189570 A1 \* 8/2007 Matsuo ..... H04R 1/1016  
381/382  
2011/0142276 A1 \* 6/2011 Uchida ..... H04R 1/1075  
381/370  
2013/0170692 A1 \* 7/2013 Kaneko ..... H04R 1/1016  
381/380

\* cited by examiner

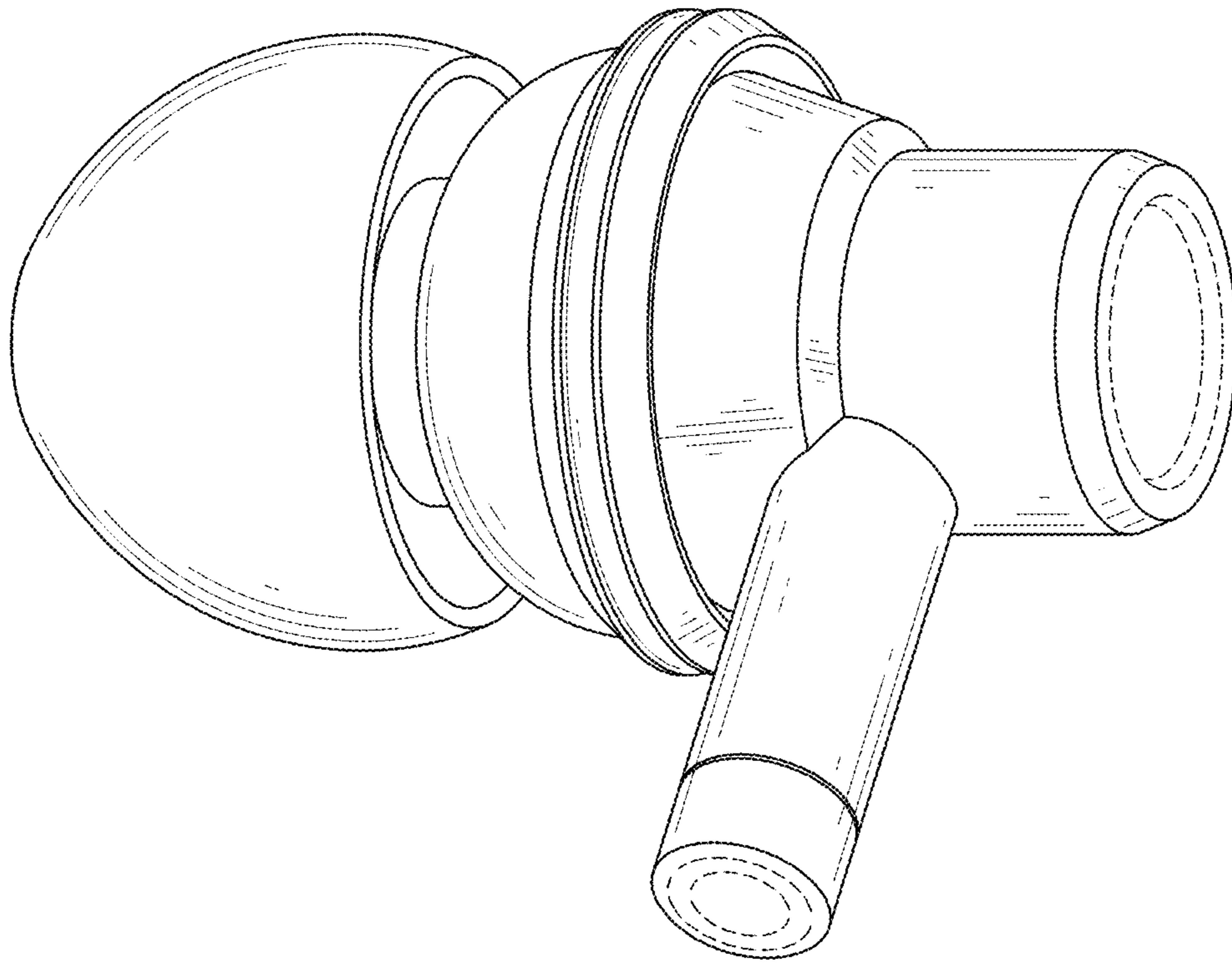


Fig. 1

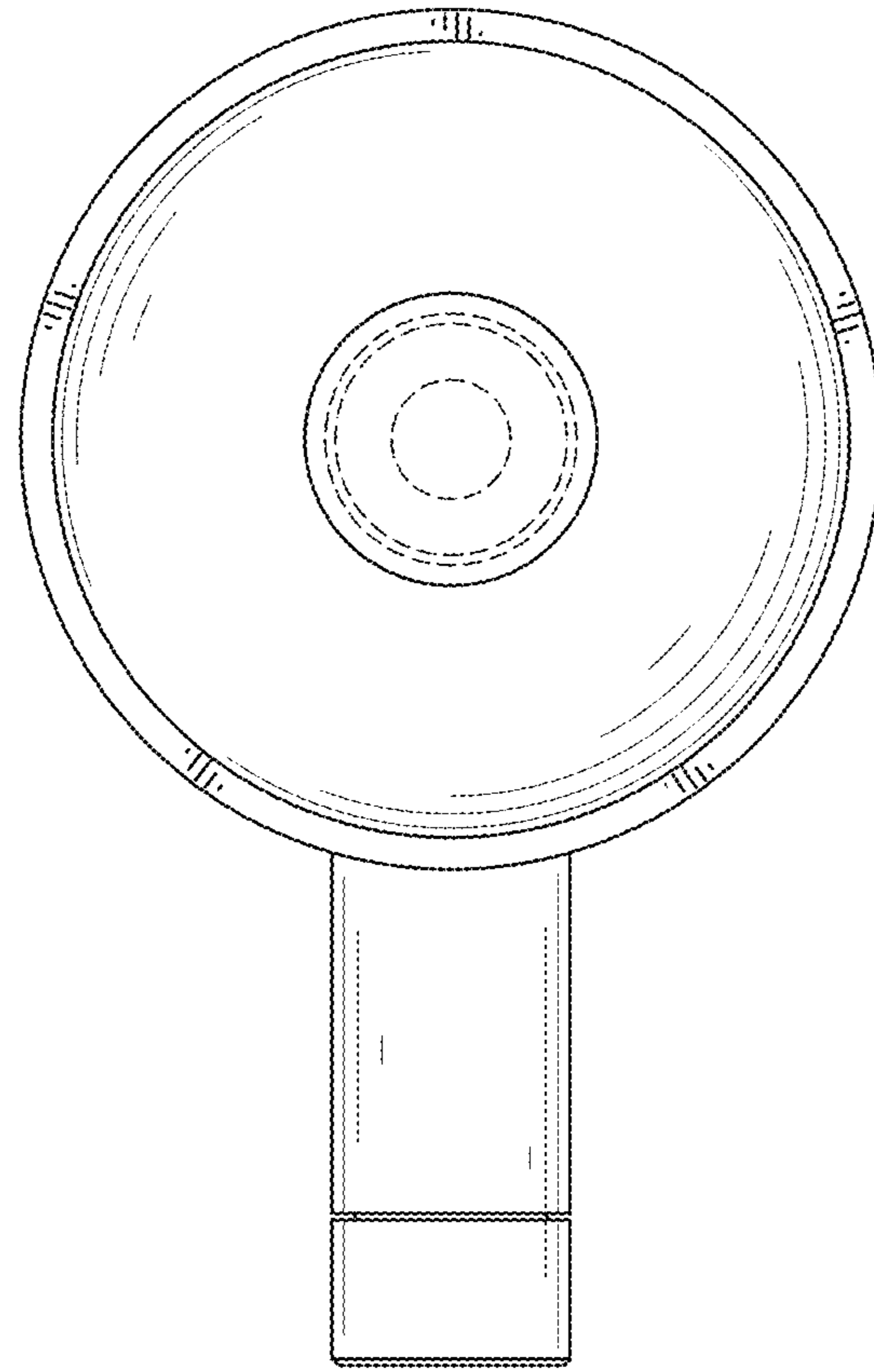


Fig. 2

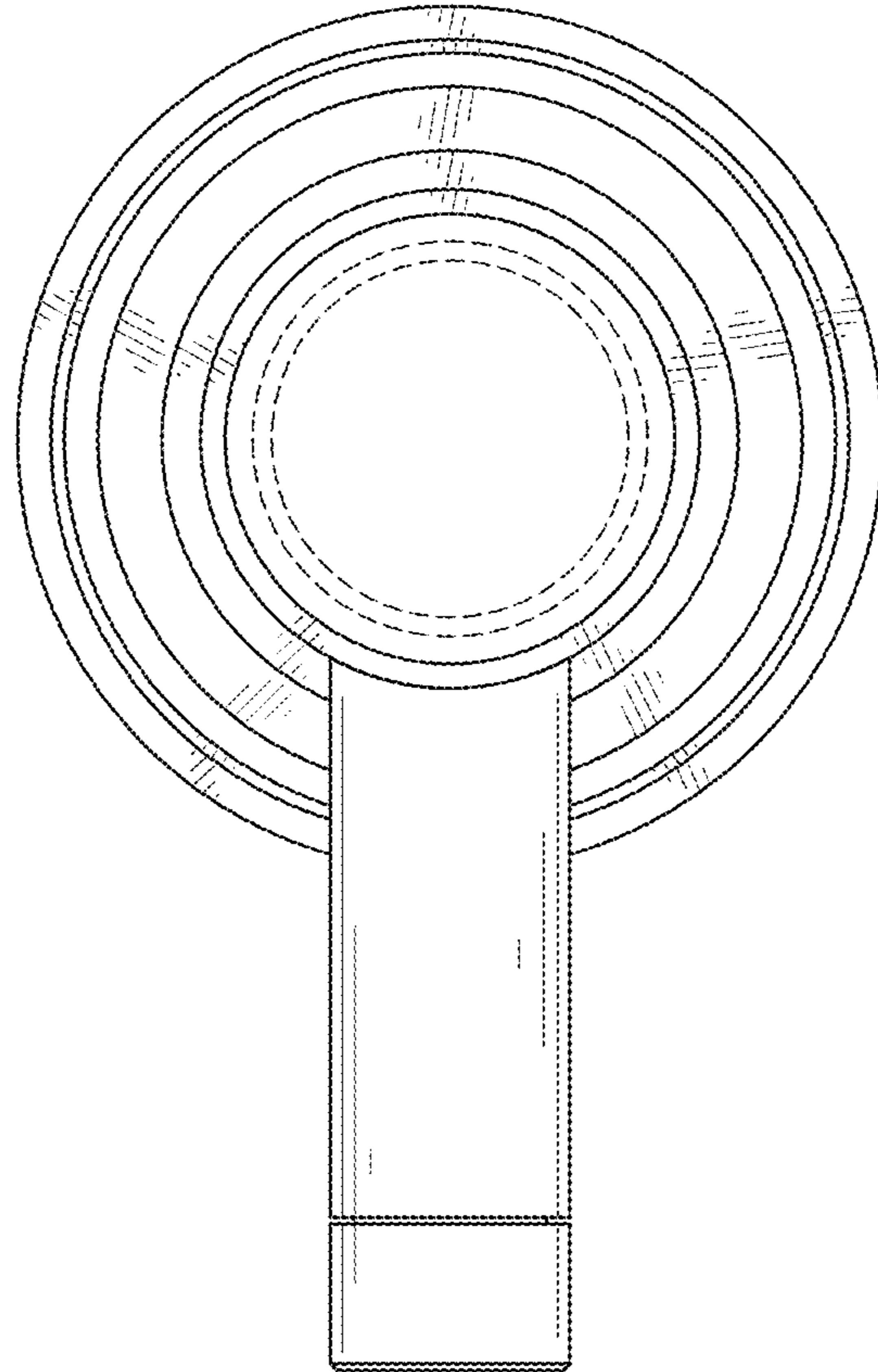


Fig. 3

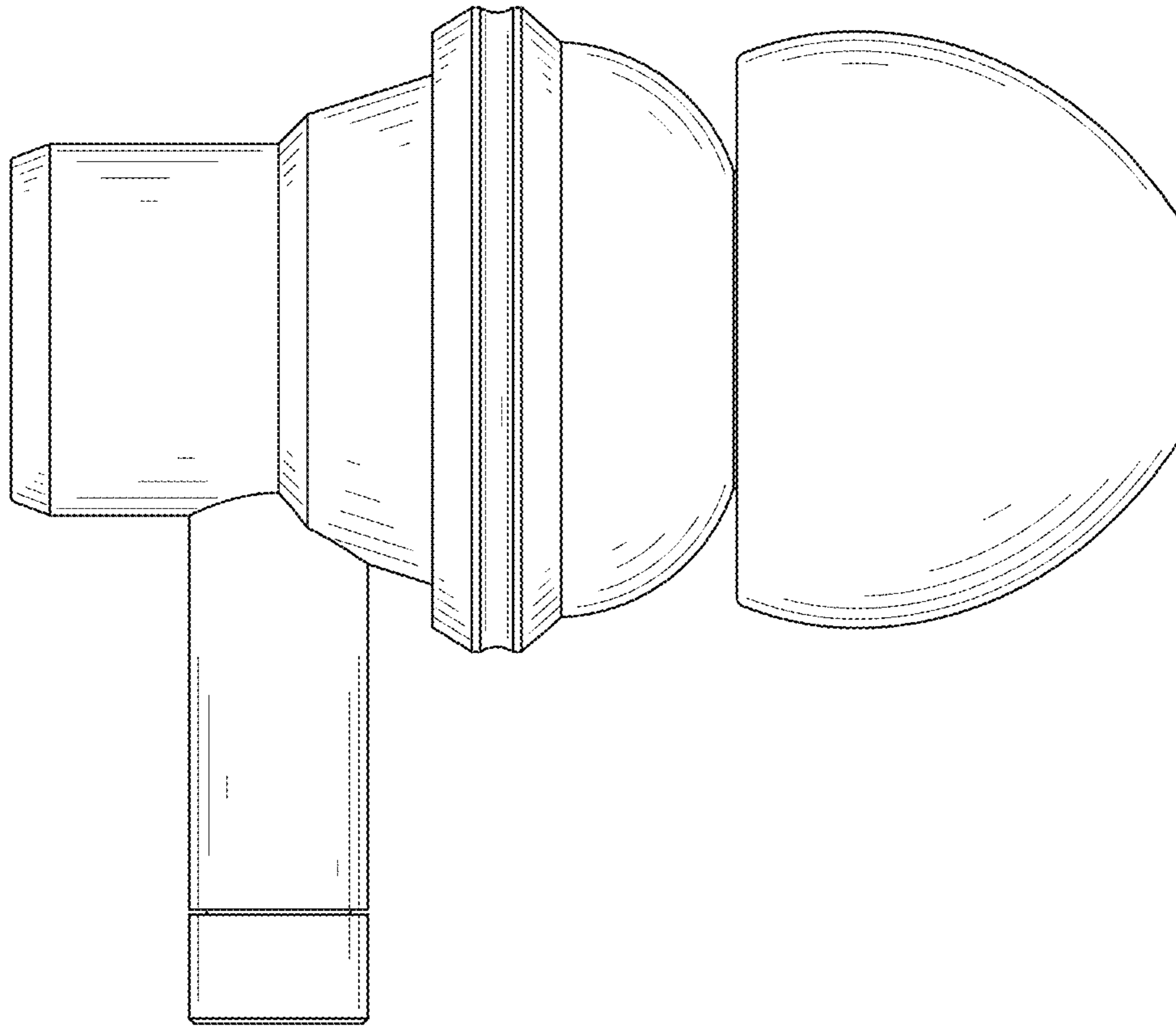


Fig. 4

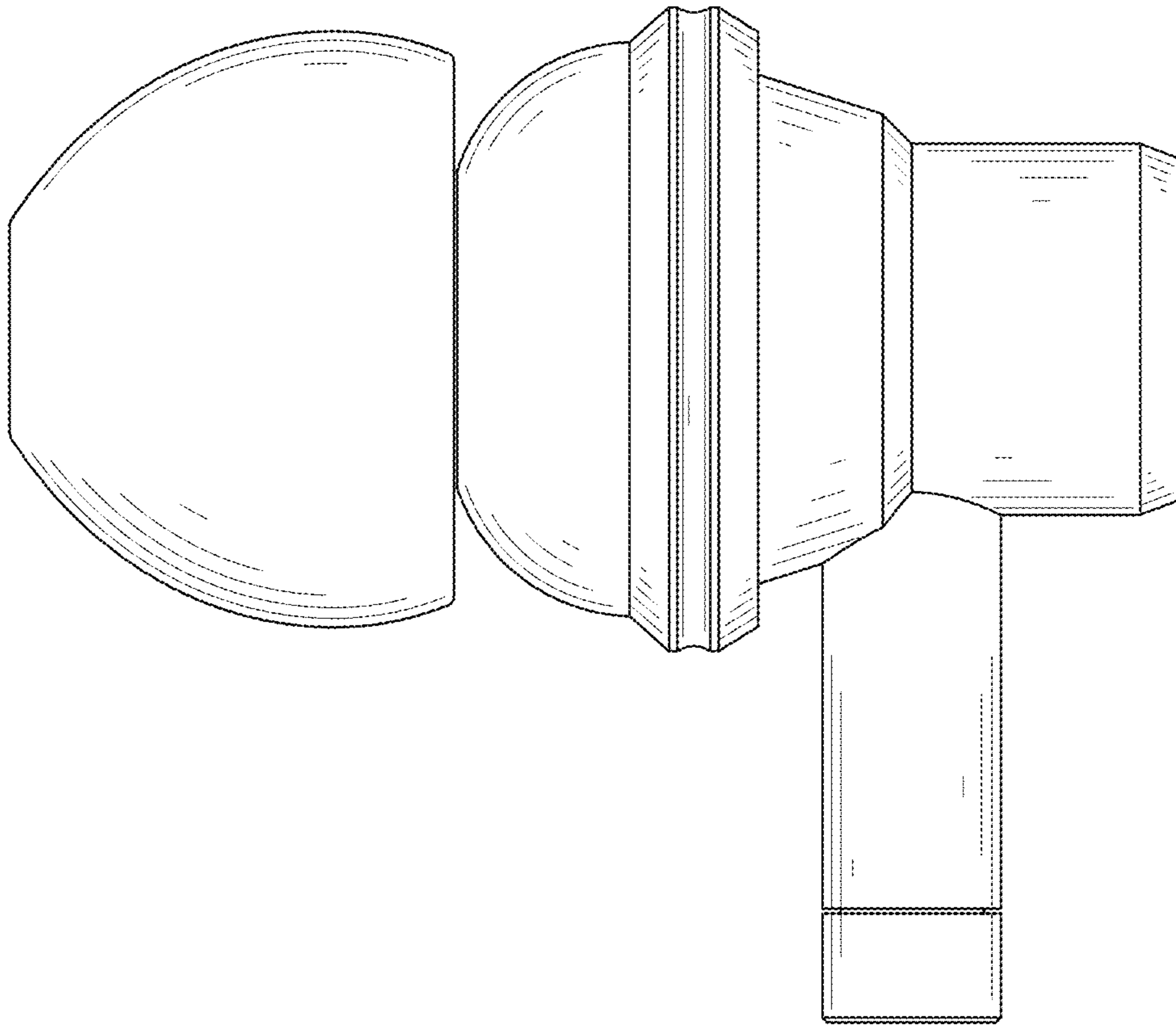


Fig. 5

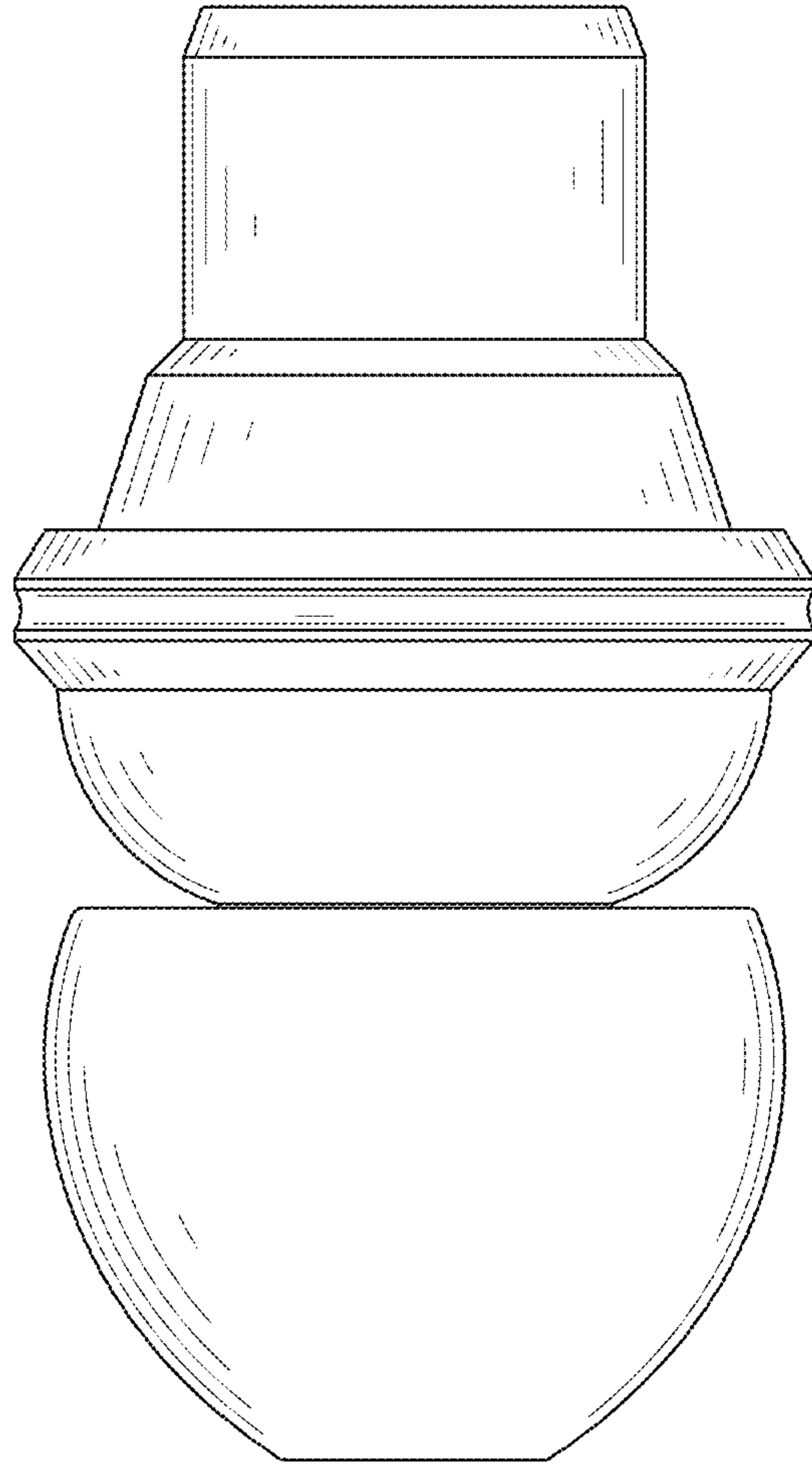


Fig. 6



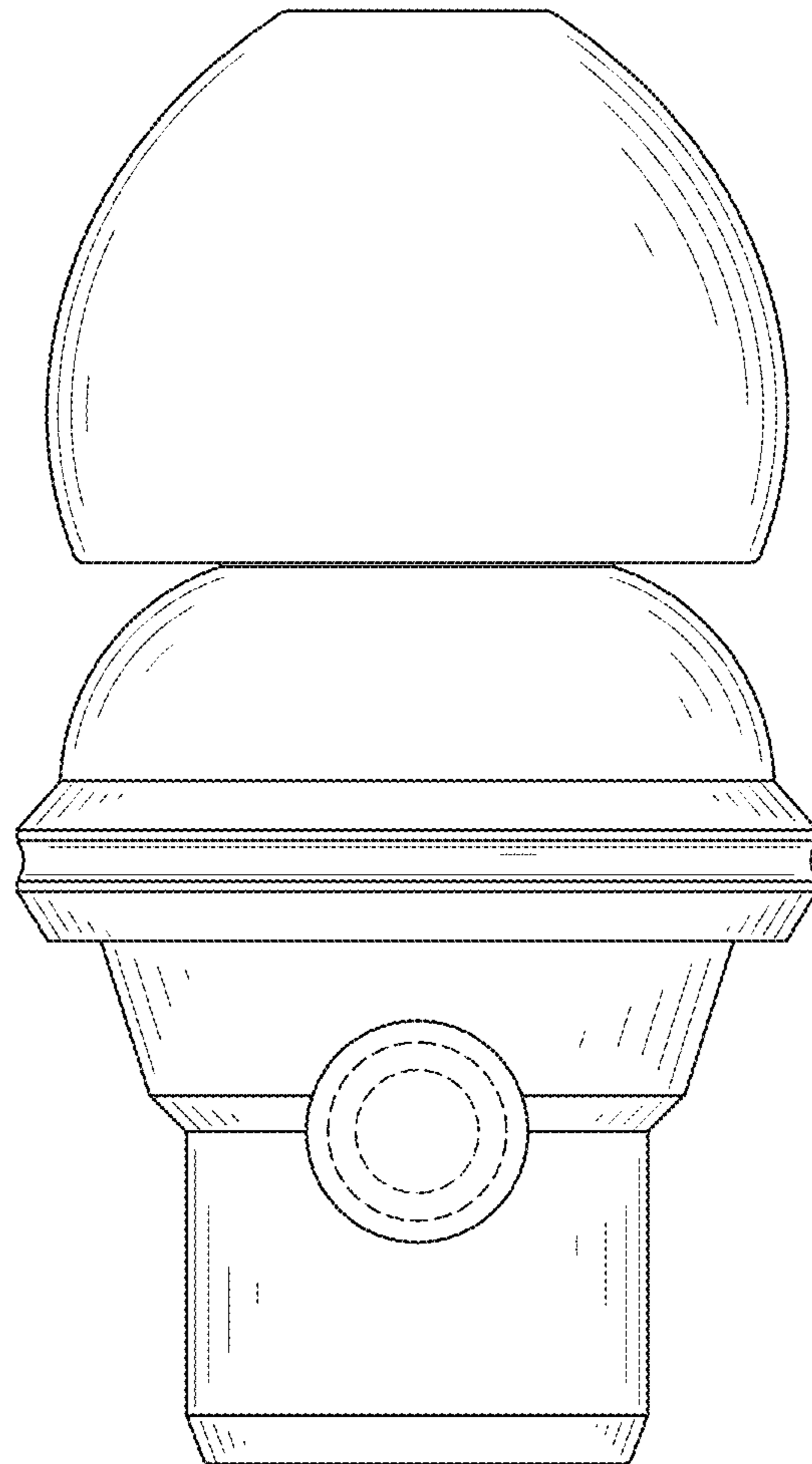


Fig. 7