



US00D815067S

(12) **United States Design Patent** (10) **Patent No.:** **US D815,067 S**  
**Kim** (45) **Date of Patent:** **\*\* Apr. 10, 2018**

(54) **HOLDING STRAP FOR WIRELESS EAR-BUD STYLE EARPIECES**

(71) Applicant: **Dae-Young Kim**, Seoul (KR)

(72) Inventor: **Dae-Young Kim**, Seoul (KR)

(73) Assignee: **SPIGEN KOREA CO., LTD.**,  
Geumcheon-Gu, Seoul (KR)

(\*\*) Term: **15 Years**

(21) Appl. No.: **29/577,516**

(22) Filed: **Sep. 13, 2016**

(51) **LOC (11) Cl.** ..... **14-01**

(52) **U.S. Cl.**  
USPC ..... **D14/223**

(58) **Field of Classification Search**  
USPC ..... D14/205–206, 223, 225, 372, 433;  
D29/112; D24/173–174

CPC ..... H04R 1/10; H04R 1/1016; H04R 1/1066;  
H04R 1/105; H04R 1/1033; H04R 1/08;  
H04R 5/033; H04R 5/0335; H04R 25/00

See application file for complete search history.

(56) **References Cited**

**U.S. PATENT DOCUMENTS**

D245,202 S	7/1977	Asker	
D562,807 S	2/2008	Andre et al.	
D566,691 S	4/2008	Andre et al.	
D620,482 S *	7/2010	Chen	D14/225
D641,883 S	7/2011	Nielsen	
D662,913 S	7/2012	Birger	
8,345,913 B2	1/2013	Pang et al.	
D685,343 S *	7/2013	Fletcher	D14/205
D685,764 S	7/2013	Coulter	
D686,189 S	7/2013	Lu	

(Continued)

**OTHER PUBLICATIONS**

This AirPods strap misses the entire point of wireless earbuds, posted at Techradar.com, posted on Sep. 12, 2016, site visited Jun.

19, 2017, <<http://www.techradar.com/news/audio/this-airpods-strap-misses-the-entire-point-of-wireless-earbuds-1328454#>>.\*

(Continued)

*Primary Examiner* — Barbara Fox

*Assistant Examiner* — Messina L Smith

(74) *Attorney, Agent, or Firm* — Heedong Chae; Lucern, PC

(57) **CLAIM**

The ornamental design for a holding strap for wireless ear-bud style earpieces, as shown and described.

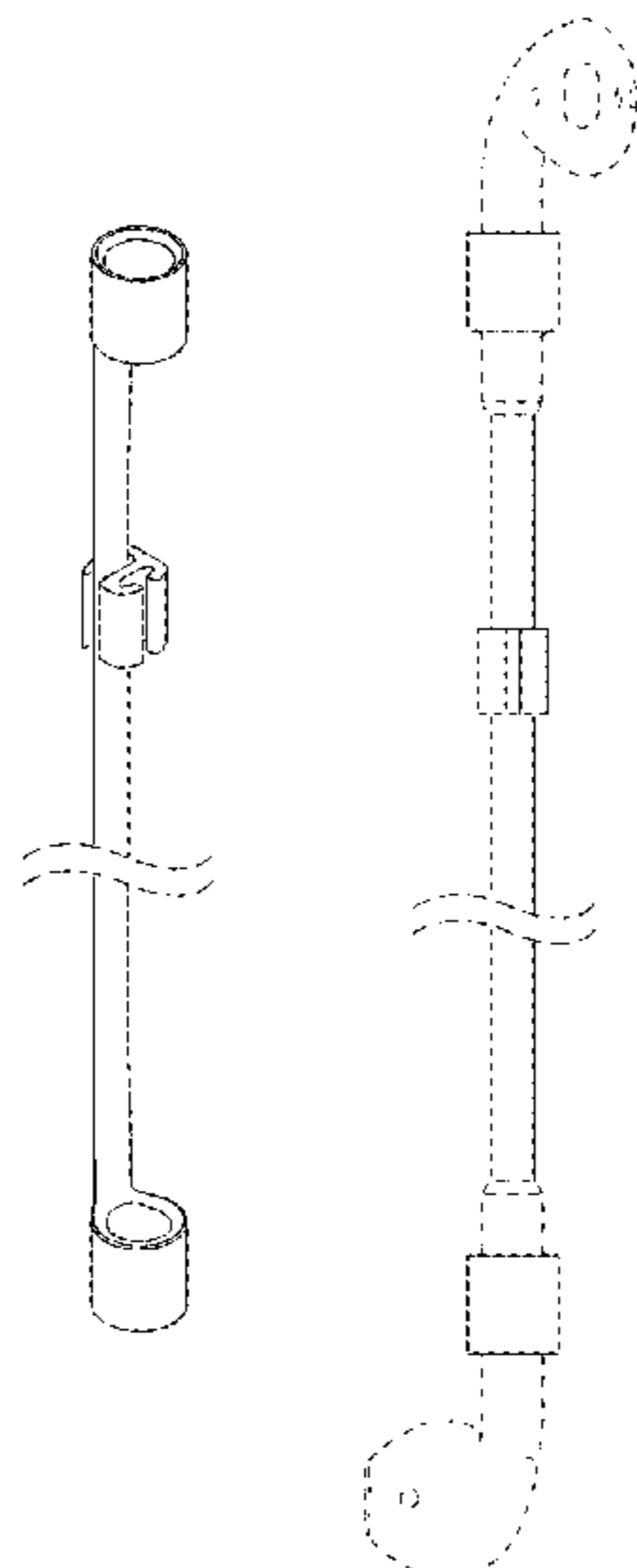
**DESCRIPTION**

FIG. 1 is a front perspective view of a holding strap for wireless ear-bud style earpieces showing my new design; FIG. 2 is a rear perspective view thereof; FIG. 3 is a front elevational view thereof; FIG. 4 is a rear elevational view thereof; FIG. 5 is a left side elevational view thereof; FIG. 6 is a right side elevational view thereof; FIG. 7 is a top plan view thereof; FIG. 8 is a bottom plan view thereof; FIG. 9 is a right side elevational view thereof with stems of the wireless ear bud style earpieces separated from the the holding strap; and, FIG. 10 is a right side elevational view thereof with the stems of the wireless ear-bud style earpieces received in the the holding strap.

The holding strap for wireless ear-bud style earpieces is shown with a symbolic break in its length. The appearance of any portion of the article between the break lines forms no part of the claimed design.

The broken lines showing the earpieces in FIGS. 9 and 10 depicts environment and form no part of the claimed design.

**1 Claim, 10 Drawing Sheets**



(56)

**References Cited**

U.S. PATENT DOCUMENTS

D692,408	S	10/2013	Dugger et al.	
D692,852	S	11/2013	DeLeonardis	
D703,634	S	4/2014	Han	
8,708,091	B2	4/2014	Barwacz	
D704,676	S	5/2014	Krisztal	
D712,371	S	9/2014	Henning	
D717,274	S	11/2014	Burgett et al.	
D718,272	S	11/2014	Clayton et al.	
D727,878	S *	4/2015	Newhart	D14/224
D729,806	S *	5/2015	Park	D14/433
D733,142	S *	6/2015	Solomon	D14/433
9,155,661	B2	10/2015	Barwacz	
D746,291	S *	12/2015	Solomon	D14/433
D761,262	S *	7/2016	Solomon	D14/433
D767,532	S *	9/2016	Jen	D14/205
D772,196	S	11/2016	Choi et al.	
D788,112	S *	5/2017	Liao	D14/433
2008/0159577	A1 *	7/2008	Smith	H04M 1/05 381/361
2017/0064430	A1 *	3/2017	Zheng	H04R 1/1041

OTHER PUBLICATIONS

Spigen's AirPods Strap is a \$10 leash for Apple's new AirPods wireless earbuds, posted at Cnet.com, posted on Sep. 12, 2016, site visited Jun. 19, 2017, <<https://www.cnet.com/news/spigen-airpod-strap-is-a-10-leash-for-your-airpods/>>.\*

\* cited by examiner

FIG. 1

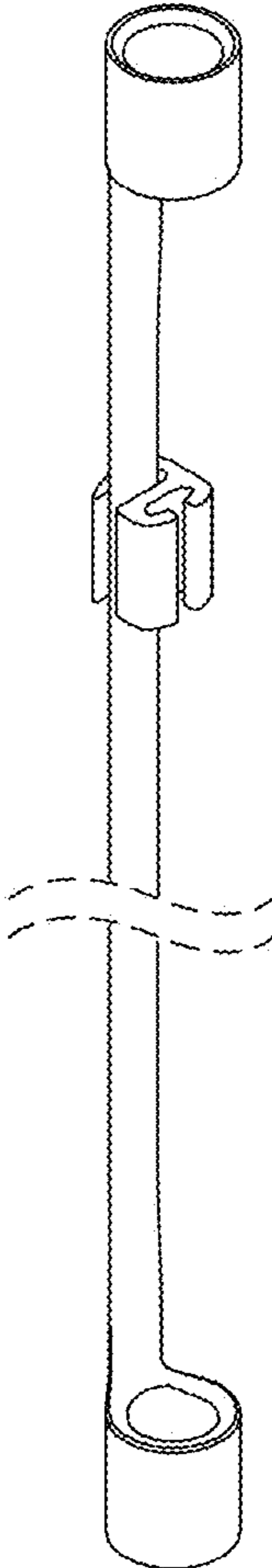


FIG. 2

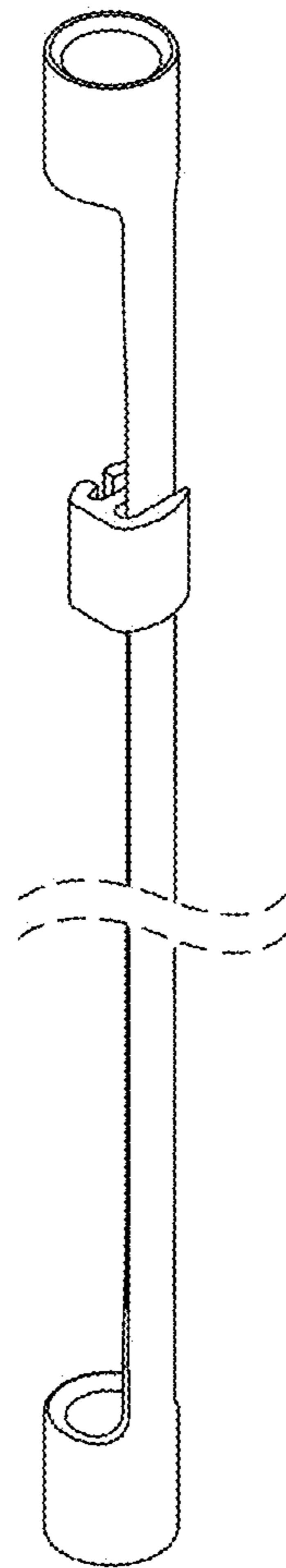


FIG. 3

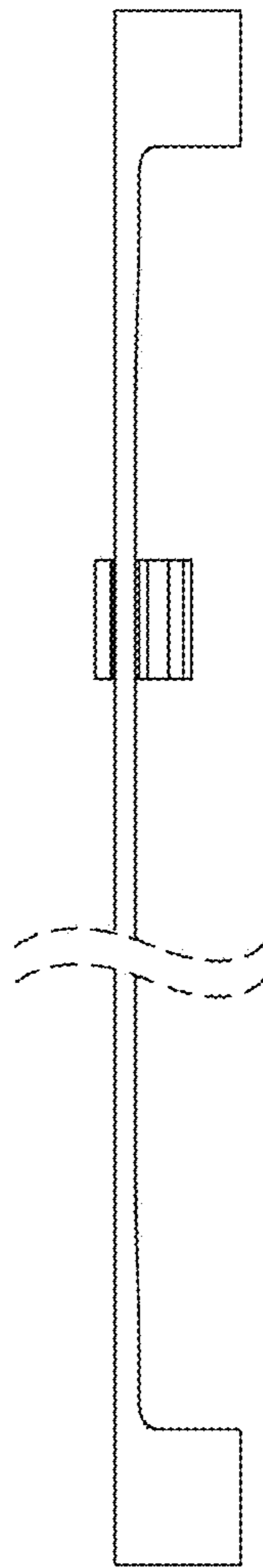


FIG. 4

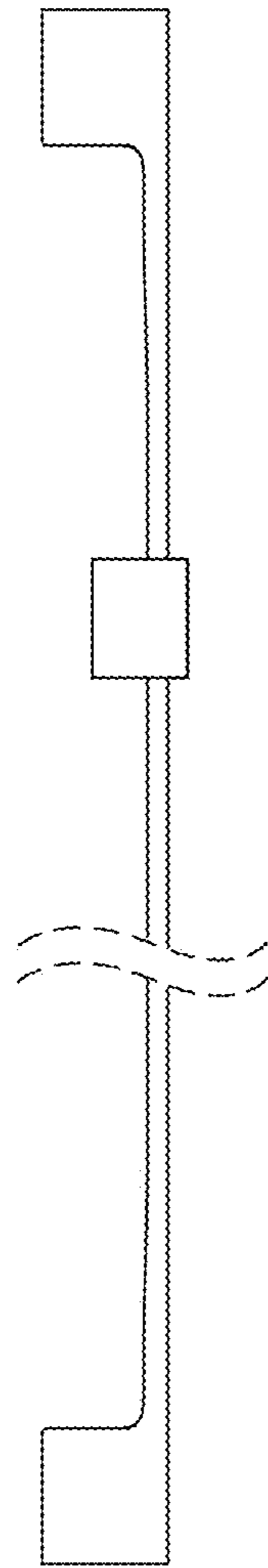


FIG. 5

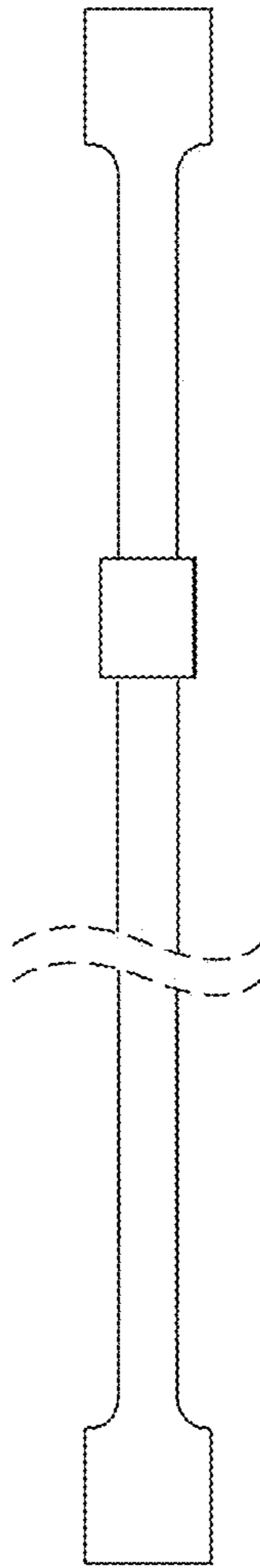


FIG. 6

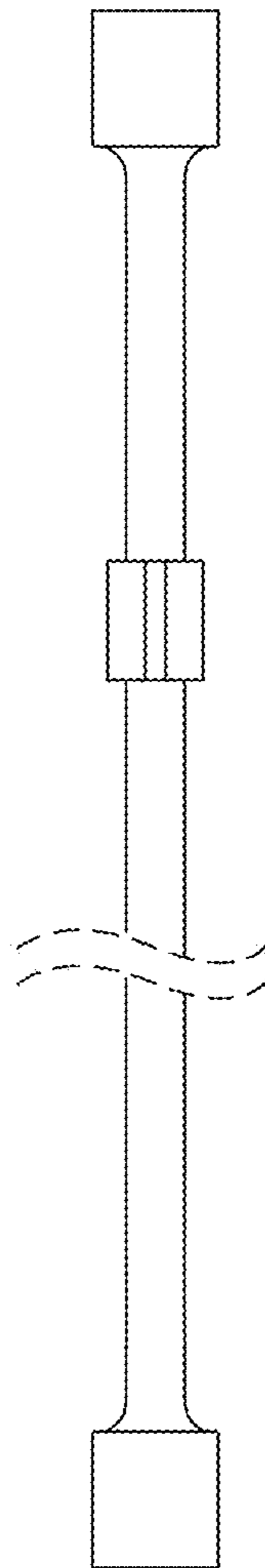




FIG. 7



FIG. 8



FIG. 9

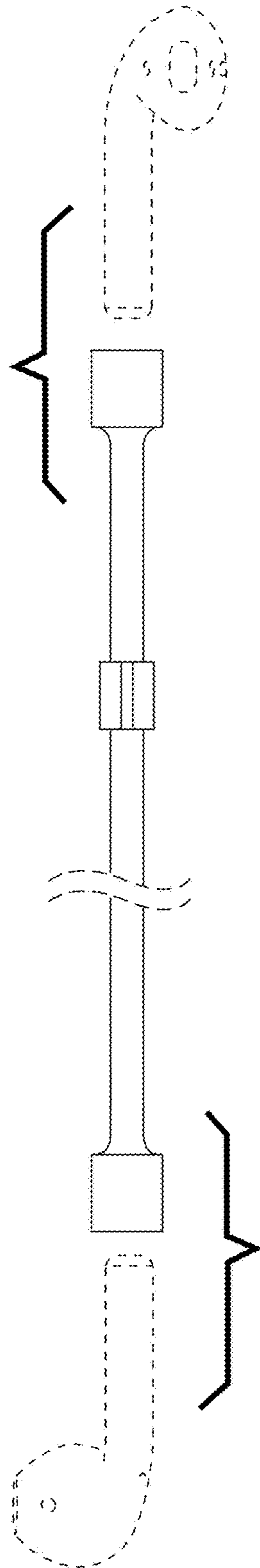


FIG. 10

