



US00D815066S

(12) **United States Design Patent**
Bidwell et al.

(10) **Patent No.:** **US D815,066 S**
(45) **Date of Patent:** **** Apr. 10, 2018**

(54) **HEADSET**

(71) Applicant: **Hand Held Products, Inc.**, Fort Mill, SC (US)

(72) Inventors: **Dean J. Bidwell**, Renton, WA (US); **John S. Bandringa**, Everett, WA (US); **Roger Jackson**, Lake Forest Park, WA (US); **Tim Zurmoehle**, Seattle, WA (US); **William Herweh, III**, Seattle, WA (US); **Churu Yun**, Seattle, WA (US); **Mark Oberpriller**, Peachtree Corners, GA (US); **Matthew McElvogue**, Seattle, WA (US); **Rajat Shail**, Chicago, IL (US); **Brian Moy**, Arden Hills, MN (US)

(73) Assignee: **Hand Held Products, Inc.**, Fort Mill, SC (US)

(**) Term: **15 Years**

(21) Appl. No.: **29/572,887**

(22) Filed: **Aug. 1, 2016**

(51) **LOC (11) Cl.** **14-01**

(52) **U.S. Cl.**
USPC **D14/223**

(58) **Field of Classification Search**
USPC D14/205–206, 223, 225, 372, 433;
D29/112; D24/173–174
CPC H04R 1/10; H04R 1/1016; H04R 1/1066;
H04R 1/105; H04R 1/1033; H04R 1/08;
H04R 5/033; H04R 5/0335; H04R 25/00
See application file for complete search history.

(56) **References Cited**

U.S. PATENT DOCUMENTS

D603,371 S * 11/2009 Boateng D14/205
D638,000 S * 5/2011 Hoggarth D14/206
D641,337 S * 7/2011 Brandis D14/206

D648,330 S * 11/2011 Fischer D14/226
D684,145 S * 6/2013 Rath D14/206
D716,258 S * 10/2014 Awiszus D14/206

(Continued)

FOREIGN PATENT DOCUMENTS

EP 2178275 A1 * 4/2010 H04R 1/083

OTHER PUBLICATIONS

Plantronics Voyager Focus UC B825—headset—UC Standard version, posted at CDW.com, posted on © 2007-2017, site visited Jul. 14, 2017, <https://www.cdw.com/shop/products/Plantronics-Voyager-Focus-UC-B825-headset-UC-Standard-version/3784430.aspx>.*

(Continued)

Primary Examiner — Barbara Fox

Assistant Examiner — Messina L Smith

(74) *Attorney, Agent, or Firm* — Additon, Higgins & Pendleton, P.A.

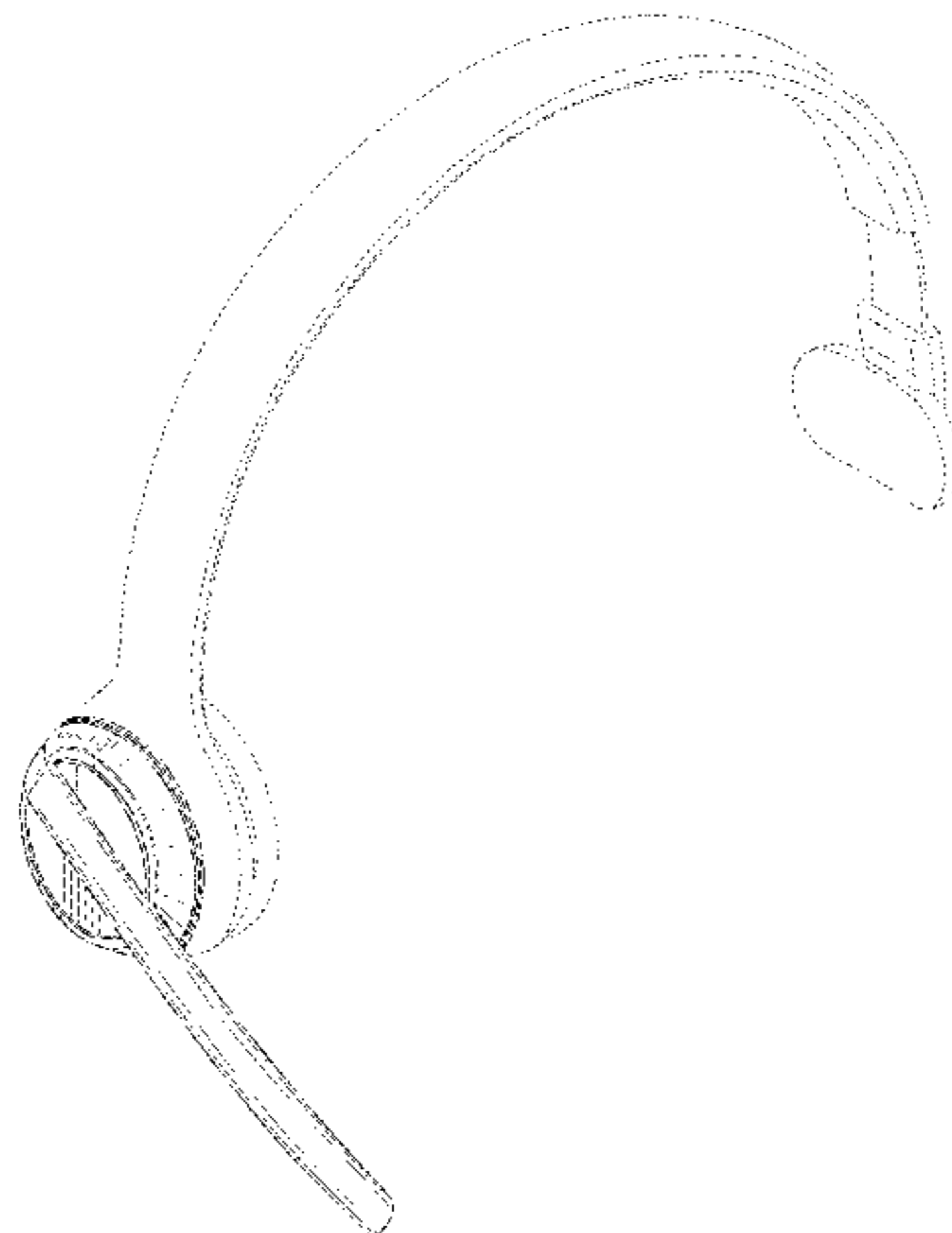
(57) **CLAIM**

The ornamental design for a headset, as shown and described.

DESCRIPTION

FIG. 1 is a front, left perspective view of a headset, showing the new design;
FIG. 2 is a front, right perspective view of the headset of FIG. 1.
FIG. 3 is a front elevation view of the headset of FIG. 1.
FIG. 4 is a rear elevation view of the headset of FIG. 1.
FIG. 5 is a left elevation view of the headset of FIG. 1.
FIG. 6 is a right elevation view of the headset of FIG. 1.
FIG. 7 is a top plan view of the headset of FIG. 1; and,
FIG. 8 is a bottom plan view of the headset of FIG. 1.
The evenly-spaced broken lines in the drawings depict portions of the headset. The short-long broken lines in the

(Continued)



drawings depict bounds of the claimed design. The evenly-spaced broken lines and the short-long broken lines form no part of the claimed design.

1 Claim, 8 Drawing Sheets

(56)

References Cited

U.S. PATENT DOCUMENTS

D716,259	S *	10/2014	Awiszus	D14/206
D716,760	S *	11/2014	Brunner	D14/206
D716,762	S *	11/2014	Greve	D14/206
D717,767	S *	11/2014	Misty	D14/206
D719,135	S *	12/2014	Kelley	D14/205
D722,041	S *	2/2015	Sparks	D14/206
D732,002	S *	6/2015	Goransson	D14/206
9,608,356	B2 *	3/2017	Kann	H01R 13/447
9,706,281	B2 *	7/2017	Hernandez Vazquez	H04R 1/08
2001/0039136	A1 *	11/2001	Vicamini	H01R 13/28
					439/292
2011/0085693	A1 *	4/2011	Jensen	H04R 1/105
					381/375
2011/0228925	A1 *	9/2011	Birch	H04M 1/05
					379/428.02
2011/0275323	A1 *	11/2011	Goldman	H04M 1/04
					455/41.2
2011/0306393	A1 *	12/2011	Goldman	H04M 1/6066
					455/575.2
2012/0163616	A1 *	6/2012	Birch	H04M 1/6058
					381/74

OTHER PUBLICATIONS

Plantronics EncorePro HW520 Over-the-Head Stereo Headset with Microphone, Black, posted at Staples.com, posted on Jan. 28, 2016, site visited Jul. 14, 2017, https://www.staples.com/Plantronics-EncorePro-HW520-Over-the-Head-Stereo-Headset-with-Microphone-Black/product_IM1XU0899.*

Plantronics M214C Headset for Cordless Telephones, posted at Staples.com, posted on Jan. 18, 2011, site visited Jul. 14, 2017, https://www.staples.com/Plantronics-M214C-Headset-for-Cordless-Telephones/product_649466.*

Bidwell et al. "Printer", Design U.S. Appl. No. 29/572,909, filed Aug. 1, 2016, 51 pages, [Not yet published/granted].

Bidwell et al., "Headset", Design U.S. Appl. No. 29/572,890, filed Aug. 1, 2016, 65 pages, [Not yet published/granted].

Memke et al. "Optical Scanner", Design U.S. Appl. No. 29/572,896, filed Aug. 1, 2016, 57 pages, [Not yet published/granted].

Memke et al. "Optical Scanner", Design U.S. Appl. No. 29/572,898, filed Aug. 1, 2016, 57 pages, [Not yet published/granted].

Memke et al. "Optical Scanner and Base", Design U.S. Appl. No. 29/572,902, filed Aug. 1, 2016, 57 pages, [Not yet published/granted].

Bidwell et al. "Optical Scanner", Design U.S. Appl. No. 29/572,904, filed Aug. 1, 2016, 84 pages, [Not yet published/granted].

Bidwell et al. "Optical Scanner and Handle", Design U.S. Appl. No. 29/572,907, filed Aug. 1, 2016, 130 pages, [Not yet published/granted].

* cited by examiner

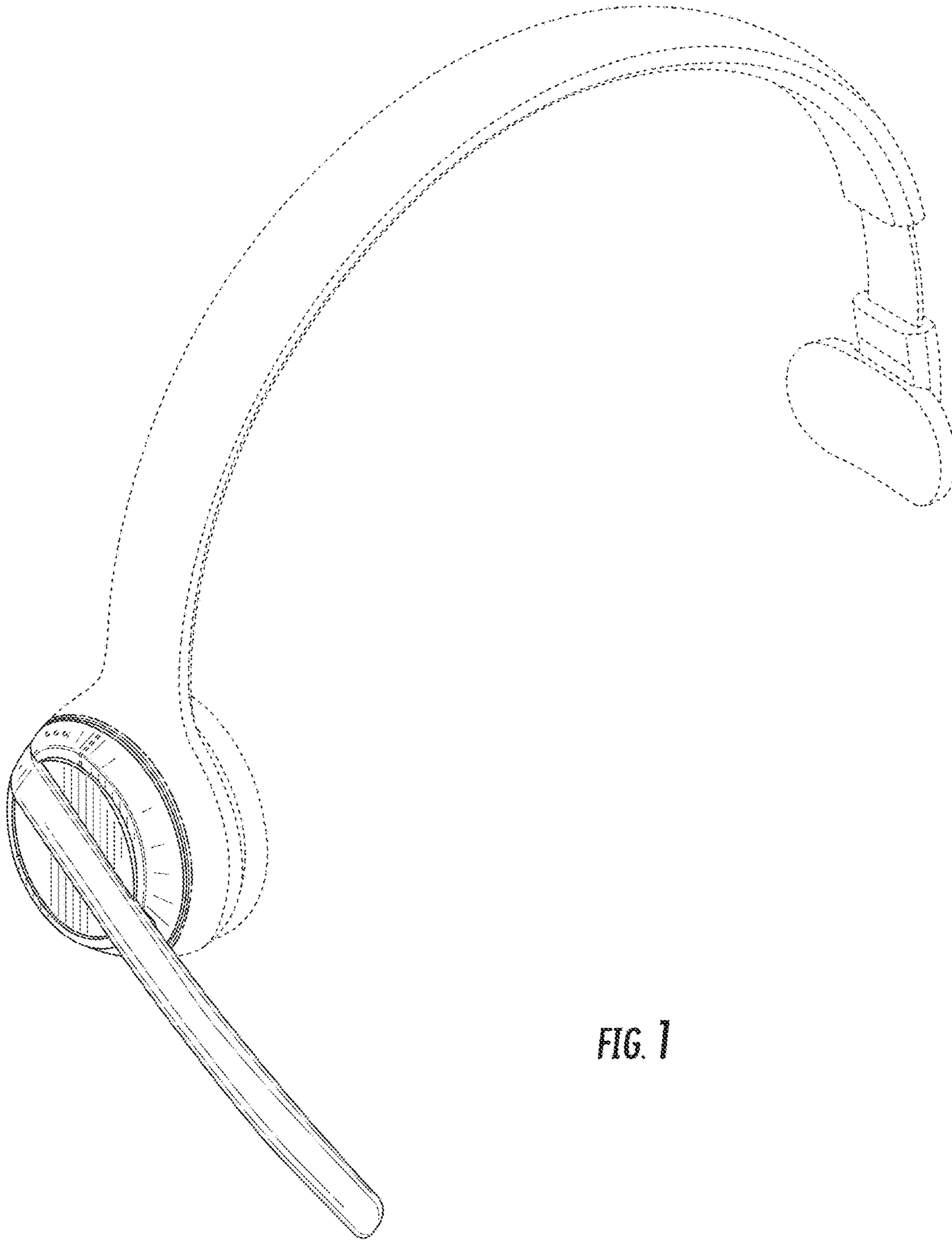


FIG. 1

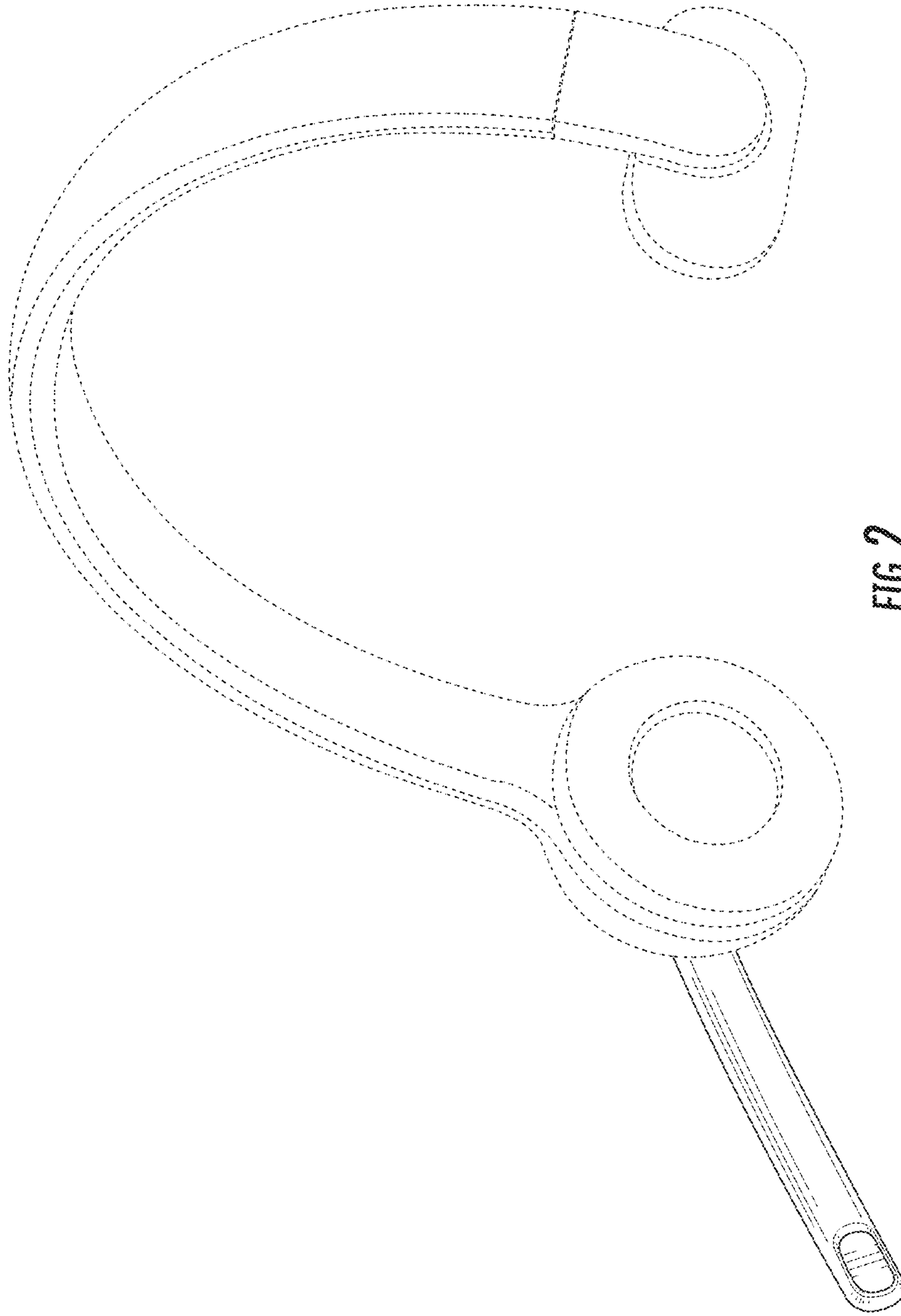


FIG. 2

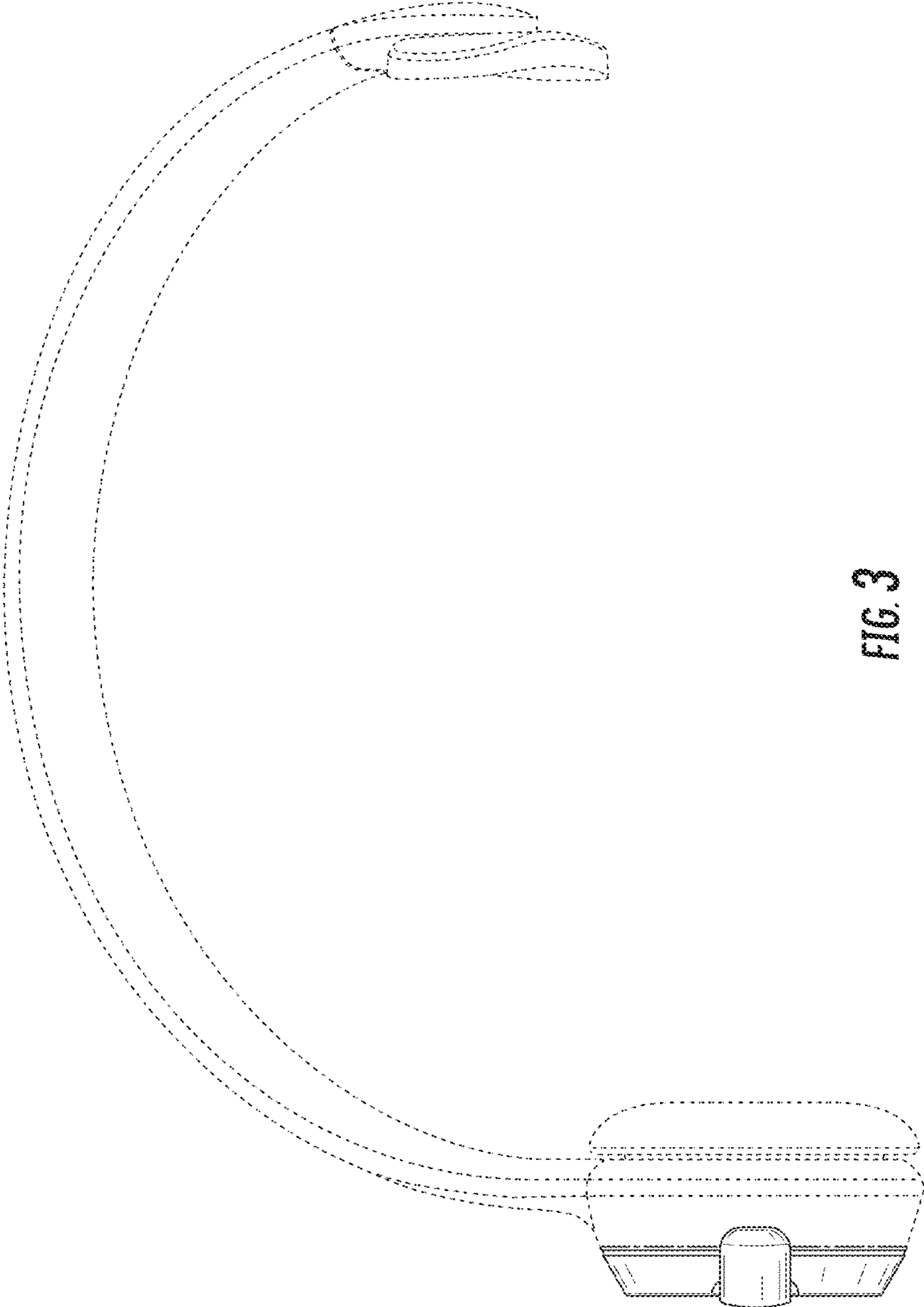


FIG. 3

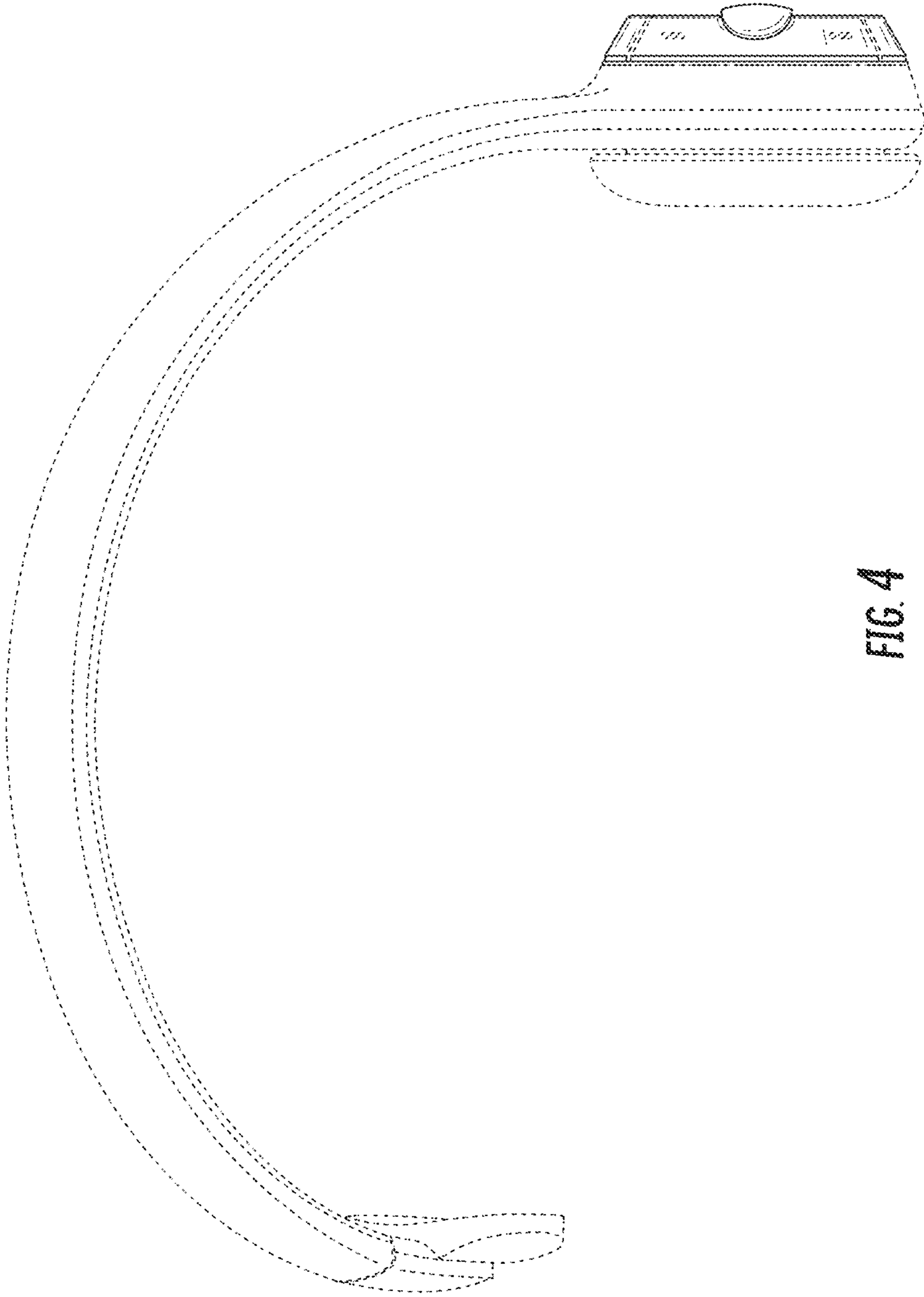


FIG. 4

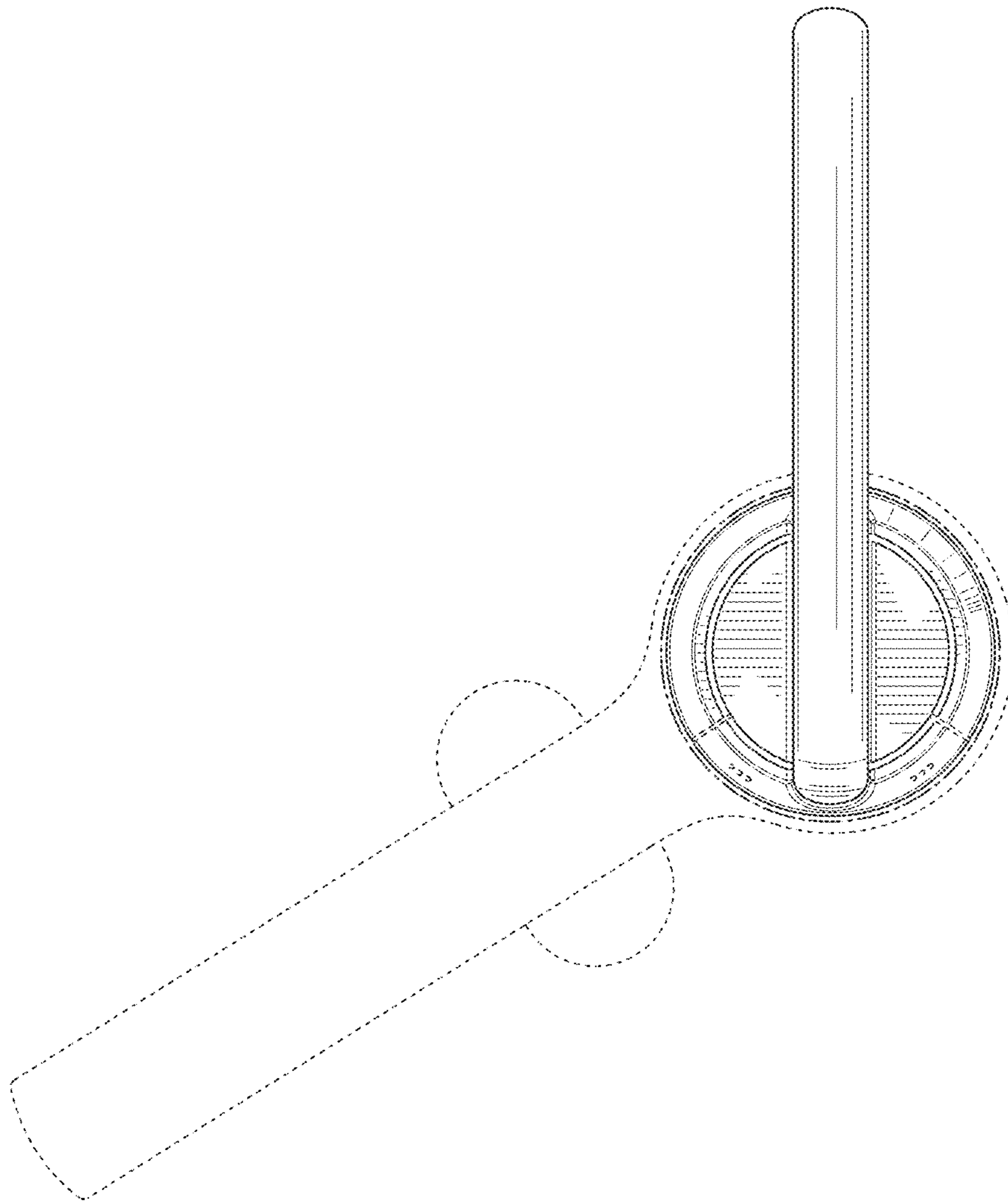


FIG. 5

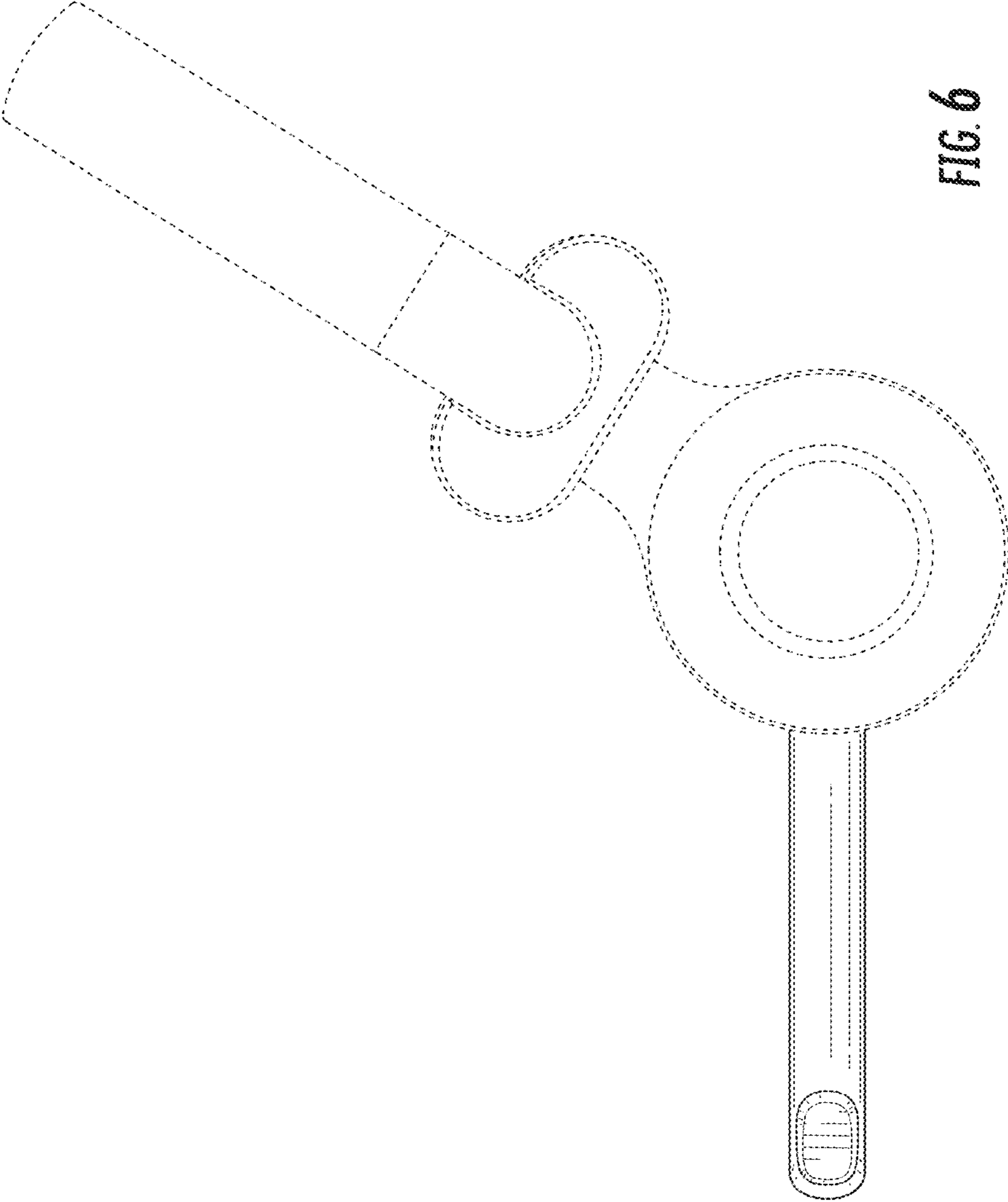


FIG. 6

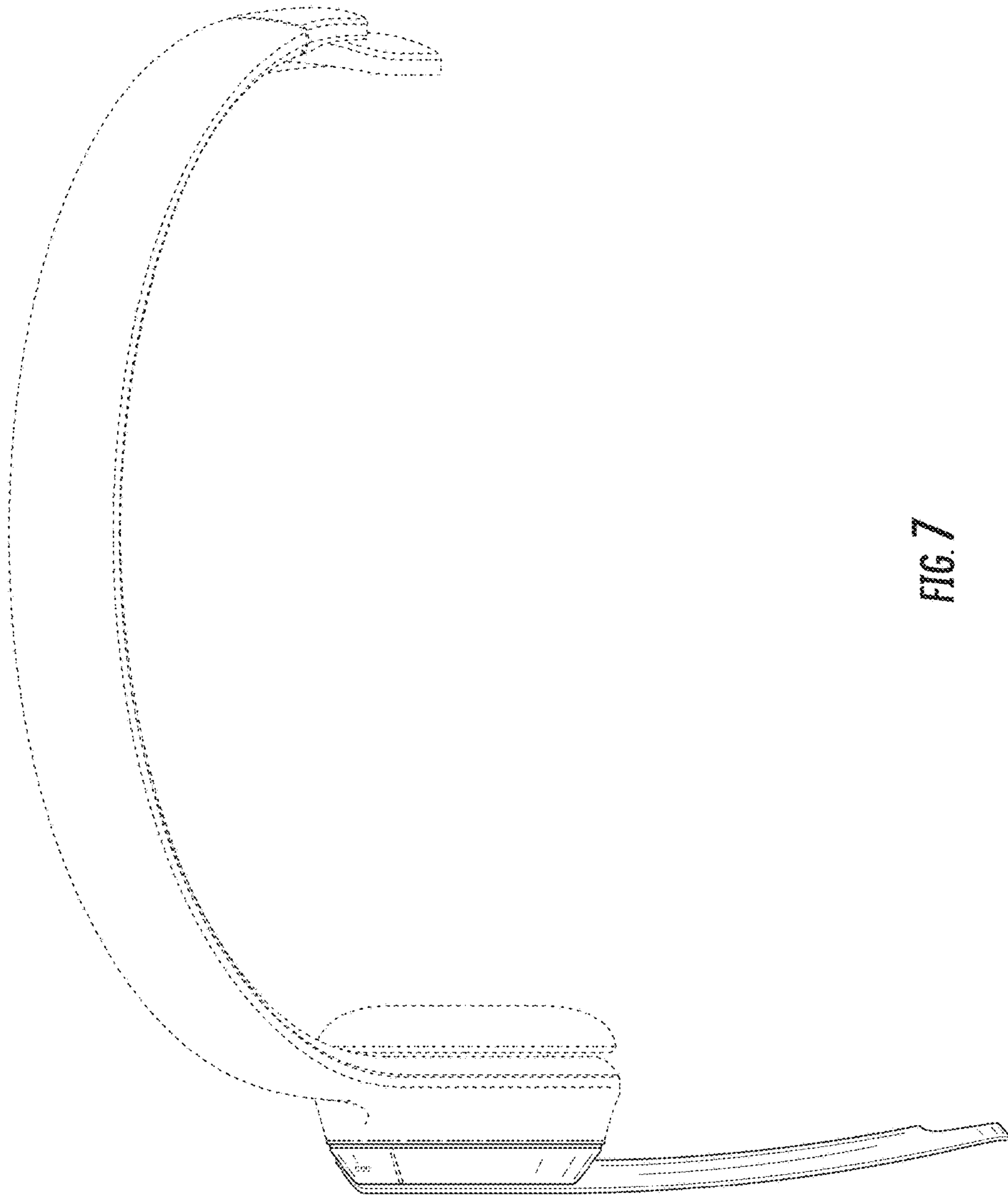


FIG. 7

