



US00D815063S

(12) **United States Design Patent** (10) **Patent No.:** **US D815,063 S**
Stewart (45) **Date of Patent:** **** Apr. 10, 2018**

(54) **LIP SCREENING DEVICE** 8,996,382 B2 * 3/2015 McClung, III H04R 1/083
704/226
(71) Applicant: **Annette Stewart**, Rio Rancho, NM D731,459 S * 6/2015 Paslawski D14/207
(US) D758,351 S * 6/2016 Zanders D14/217
2008/0134402 A1 6/2008 Bailey
2008/0304690 A1 12/2008 Poindexter
(72) Inventor: **Annette Stewart**, Rio Rancho, NM 2010/0034412 A1 2/2010 Parda
(US) 2012/0095768 A1 4/2012 McClung, III
2013/0174381 A1 * 7/2013 McClellan H04R 1/086
24/3.12
(**) Term: **15 Years** 2015/0182765 A1 * 7/2015 Saco A41D 13/1161
128/863

(21) Appl. No.: **29/560,792**

(22) Filed: **Apr. 11, 2016**

(51) **LOC (11) Cl.** **14-01**

(52) **U.S. Cl.**
USPC **D14/217**; D14/299

(58) **Field of Classification Search**
USPC D14/204-229, 154, 155, 158, 159;
D24/110.1, 110.4; D13/108; D21/698,
D21/716, 788
CPC H04R 1/08; H04R 1/083; H04R 1/086;
H04R 1/12
See application file for complete search history.

FOREIGN PATENT DOCUMENTS

WO WO20050252268 3/2005

* cited by examiner

Primary Examiner — Cathron Brooks
Assistant Examiner — Sharon S Oum

(57) **CLAIM**

The ornamental design for a lip screening device, as shown and described.

(56) **References Cited**

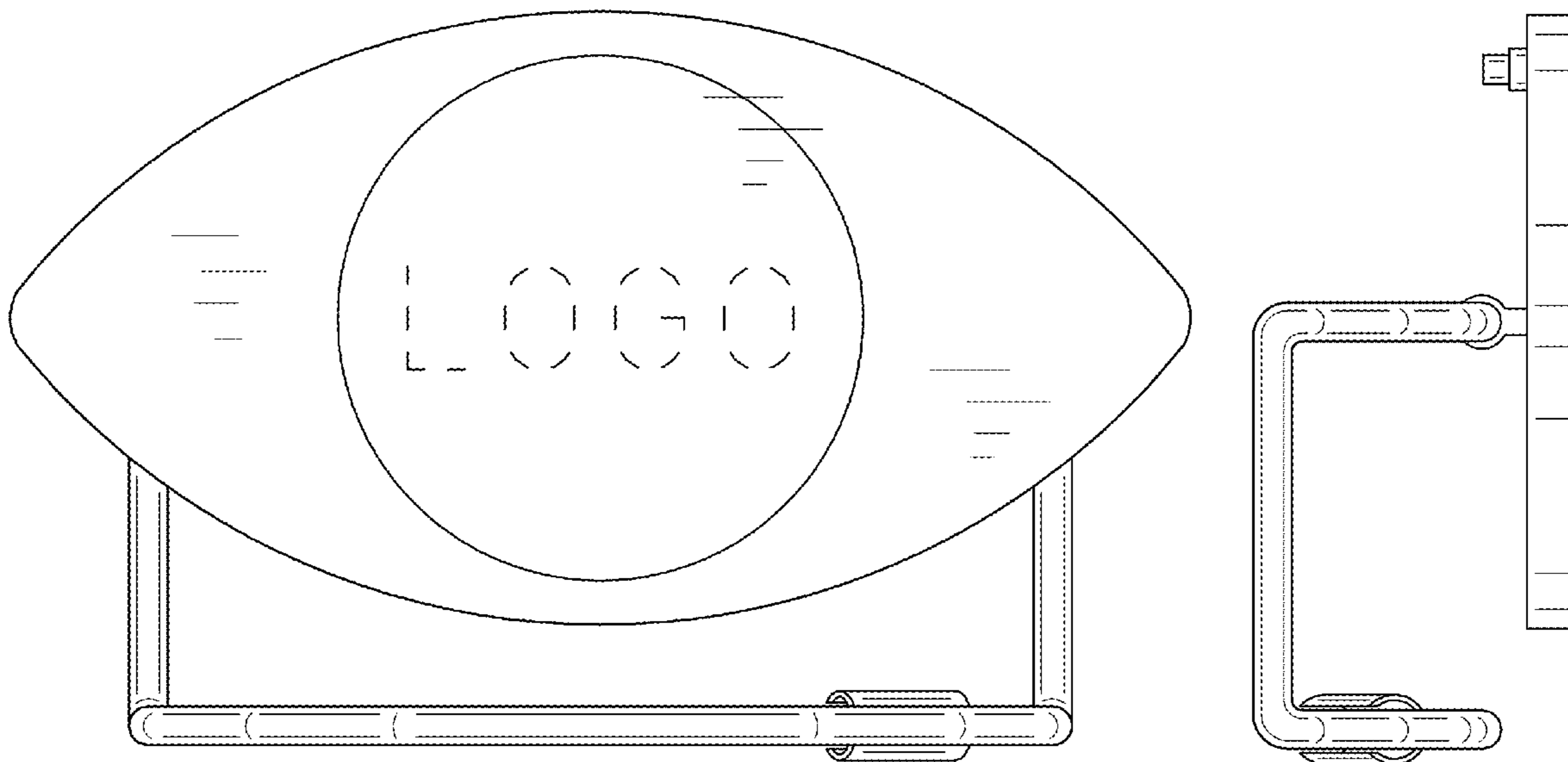
U.S. PATENT DOCUMENTS

D201,267 S * 6/1965 Gentile D16/312
D214,919 S * 8/1969 Morberger D30/161
D262,701 S 1/1982 Drever
D347,033 S * 5/1994 Moretz D21/699
5,533,131 A 7/1996 Kury
6,935,458 B2 8/2005 Owens
D602,647 S * 10/2009 Polstein D29/122
7,783,034 B2 8/2010 Manne
D641,728 S * 7/2011 Chiu D14/207
D676,828 S * 2/2013 Clark D14/207
8,437,491 B2 5/2013 Ward

DESCRIPTION

FIG. 1 is a front view of a lip screening device showing my new design;
FIG. 2 is a rear view of the lip screening device;
FIG. 3 is a left side view of the lip screening device;
FIG. 4 is a right side view of the lip screening device;
FIG. 5 is a top view of the lip screening device; and,
FIG. 6 is a bottom view of the lip screening device.
The broken lines illustrate portions of the lip screening device and form no part of the claimed design.

1 Claim, 3 Drawing Sheets



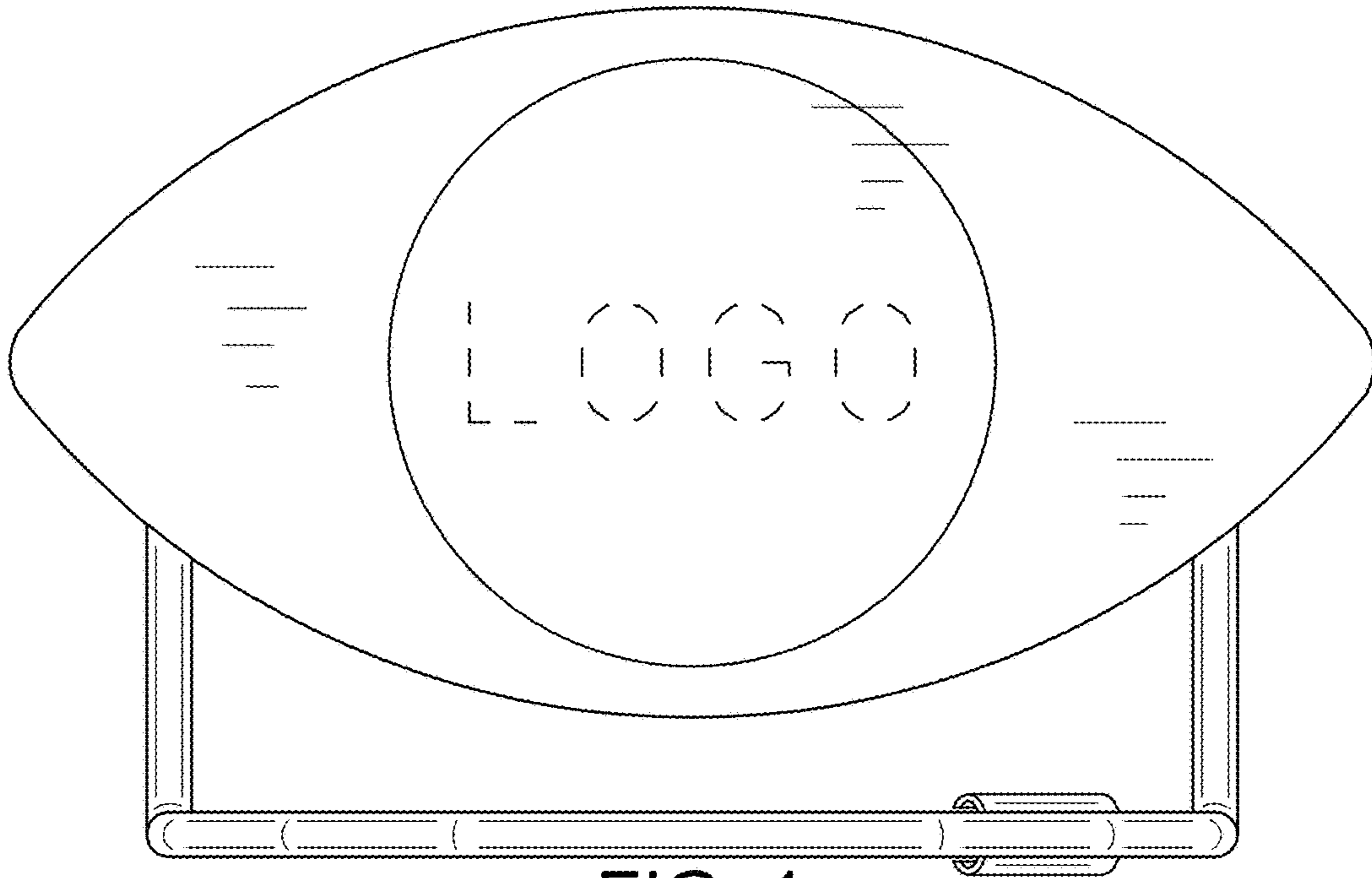


FIG. 1

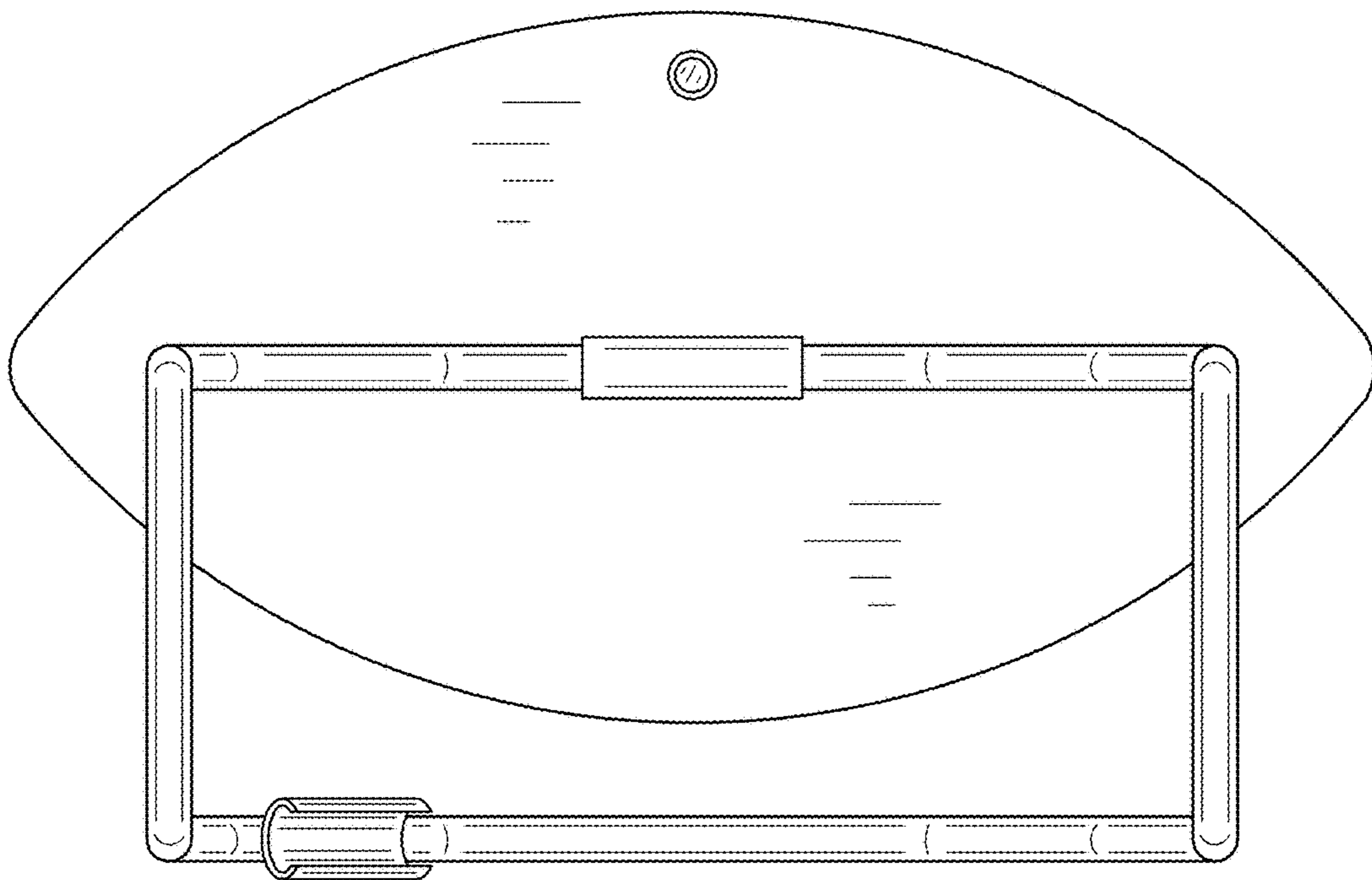


FIG. 2

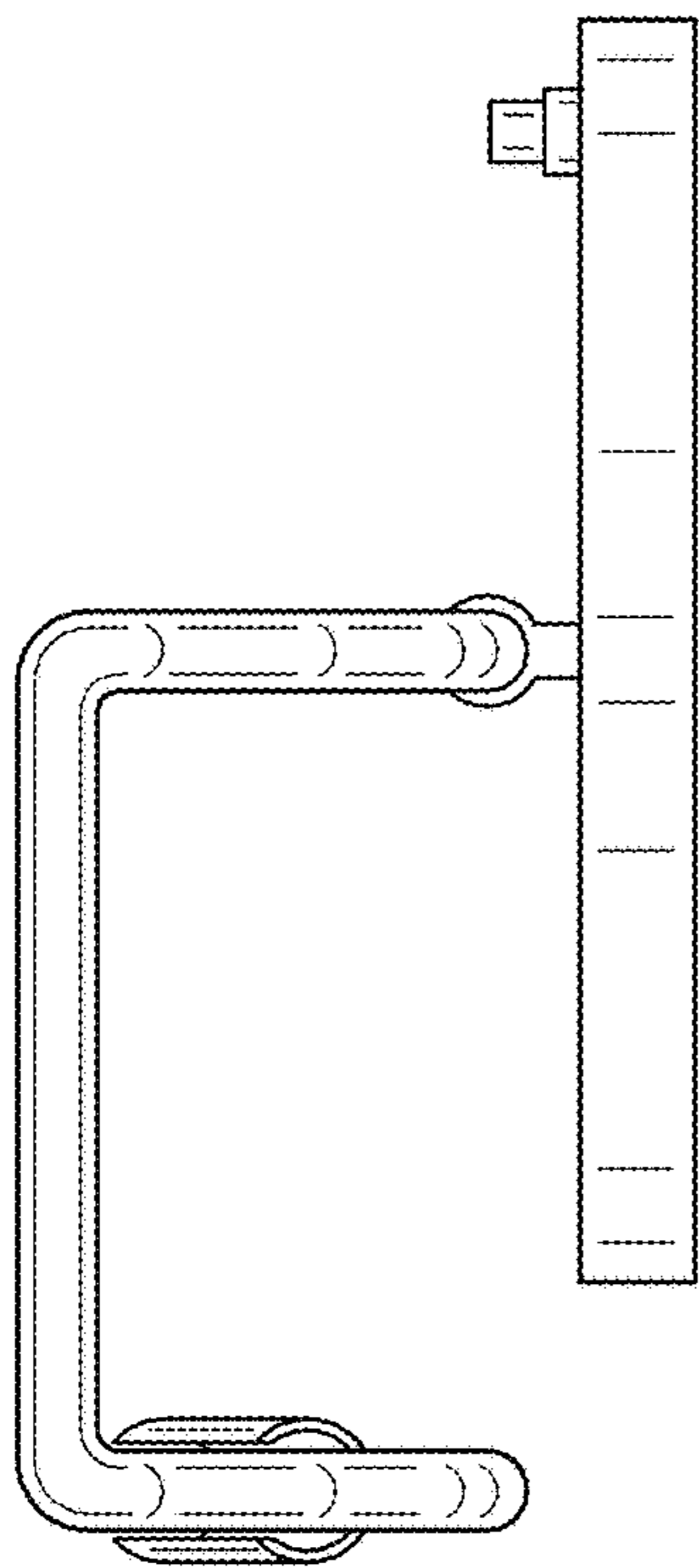


FIG. 3

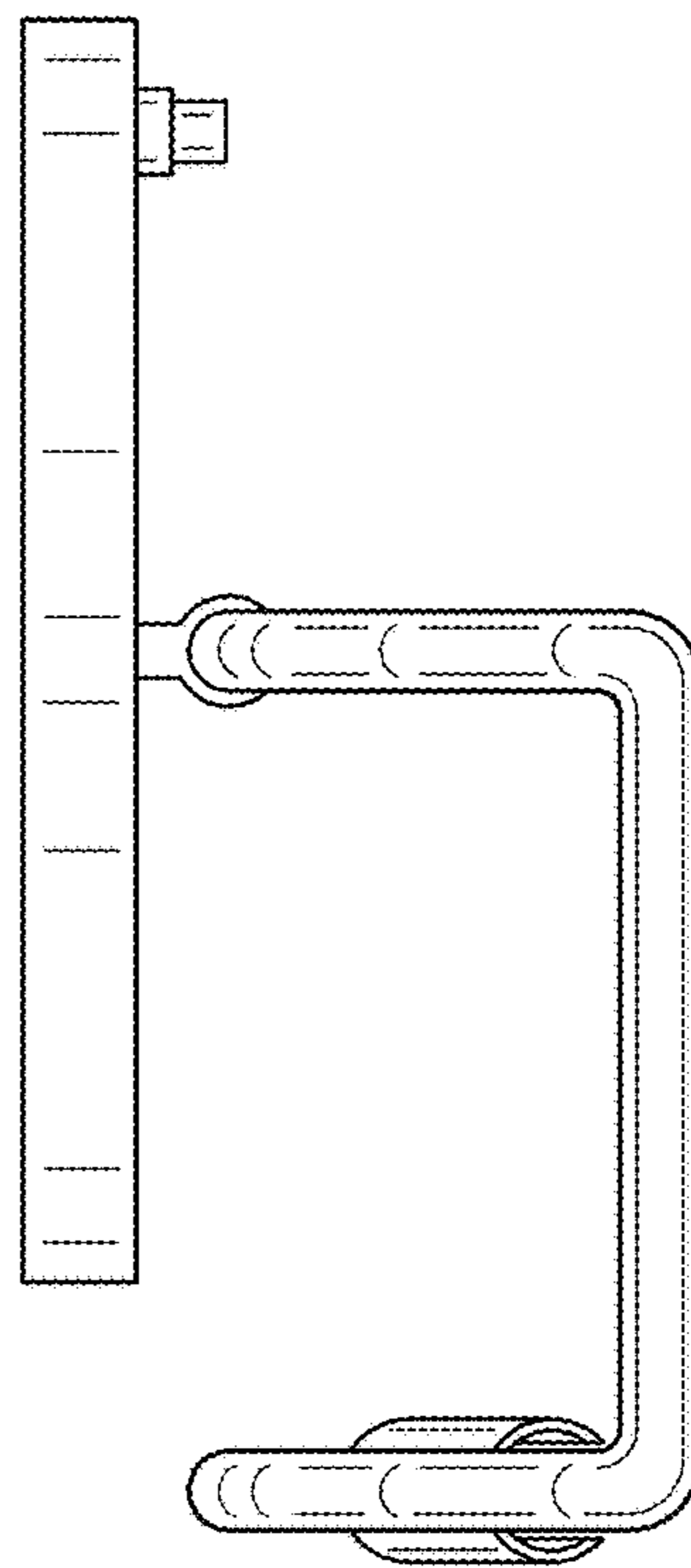


FIG. 4

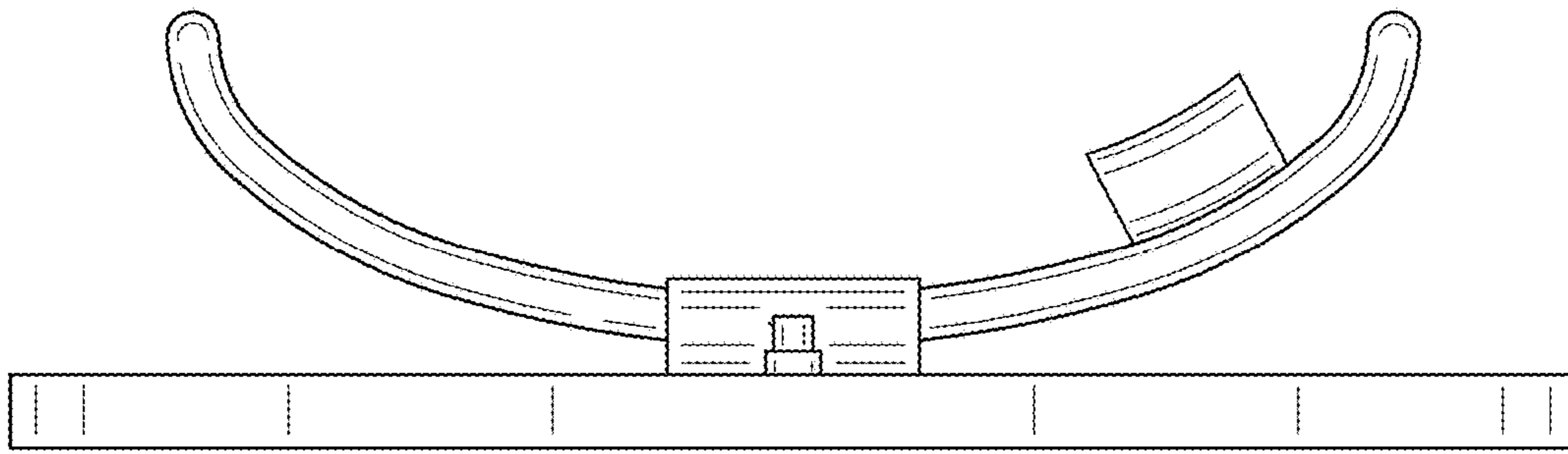


FIG. 5

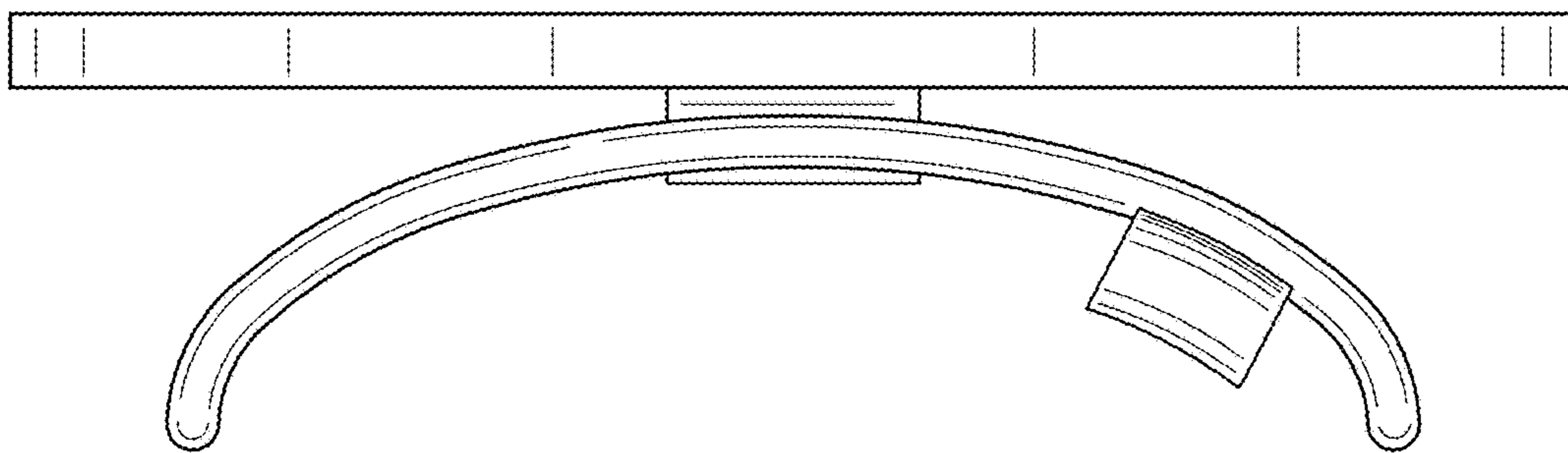


FIG. 6