



US00D815062S

(12) **United States Design Patent**  
**Bird et al.**

(10) **Patent No.:** **US D815,062 S**  
(45) **Date of Patent:** **\*\* Apr. 10, 2018**

(54) **MEDIA PLAYER**

(71) Applicant: **Sonos, Inc.**, Santa Barbara, CA (US)

(72) Inventors: **Roland Bird**, Eindhoven (NL); **Roger Swales**, Eindhoven (NL); **Niels van Hoof**, Eindhoven (NL); **Lukasz Natkaniec**, Munich (DE); **Mieko Kusano**, Santa Barbara, CA (US); **Stefan Reichert**, Santa Barbara, CA (US); **Dana Krieger**, Santa Barbara, CA (US); **Tadeo T. Toulis**, Santa Barbara, CA (US); **Mike Chamness**, Santa Barbara, CA (US); **Hilmar Lehnert**, Santa Barbara, CA (US); **Wilfred Wei**, Shanghai (CN); **Wei Hean Liew**, Santa Barbara, CA (US)

(73) Assignee: **Sonos, Inc.**, Santa Barbara, CA (US)

(\*\*) Term: **15 Years**

(21) Appl. No.: **29/558,009**

(22) Filed: **Mar. 14, 2016**

**Related U.S. Application Data**

(63) Continuation of application No. 14/998,017, filed on Sep. 17, 2015, now abandoned.

(51) **LOC (11) Cl.** ..... **14-01**

(52) **U.S. Cl.**  
USPC ..... **D14/214; D14/213**

(58) **Field of Classification Search**  
USPC ..... D14/168, 188, 194, 195, 196, 204, 210, D14/211, 212, 213, 214, 215, 216  
(Continued)

(56) **References Cited**

**U.S. PATENT DOCUMENTS**

3,811,532 A 5/1974 Everitt  
4,030,563 A 6/1977 Zinna

(Continued)

**OTHER PUBLICATIONS**

At Home in the Future—Sonos Play 5, announced Dec. 22, 2014 [online], [site visited Mar. 16, 2017]. Available from internet, URL: <<http://athomeinthefuture.com/2014/12/review-sonos-play5-wireless-speaker/>>.\*

(Continued)

*Primary Examiner* — Keli L Hill

*Assistant Examiner* — Karra S Johnson

(74) *Attorney, Agent, or Firm* — KPPB LLP

(57) **CLAIM**

The ornamental design for a media player, as shown and described.

**DESCRIPTION**

The patent or application file contains at least one drawing executed in color. Copies of this patent or patent application publication with color drawing(s) will be provided by the Office upon request and payment of the necessary fee.

FIG. 1 is a perspective view of a media player, according to a first embodiment of the invention.

FIG. 2 is another perspective view of the embodiment of FIG. 1.

FIG. 3 is another perspective view of the embodiment of FIG. 1.

FIG. 4 is a front view of the embodiment of FIG. 1.

FIG. 5 is a rear view of the embodiment of FIG. 1.

FIG. 6 is a left view of the embodiment of FIG. 1.

FIG. 7 is a right view of the embodiment of FIG. 1.

FIG. 8 is a top view of the embodiment of FIG. 1.

FIG. 9 is a bottom view of the embodiment of FIG. 1.

FIG. 10 is a perspective view of a media player having a white casing and black front speaker screen, according to a second embodiment of the invention.

FIG. 11 is another perspective view of the embodiment of FIG. 10.

FIG. 12 is a front view of the embodiment of FIG. 10.

FIG. 13 is a rear view of the embodiment of FIG. 10.

FIG. 14 is a left view of the embodiment of FIG. 10.

FIG. 15 is a right view of the embodiment of FIG. 10.

FIG. 16 is a top view of the embodiment of FIG. 10.

(Continued)

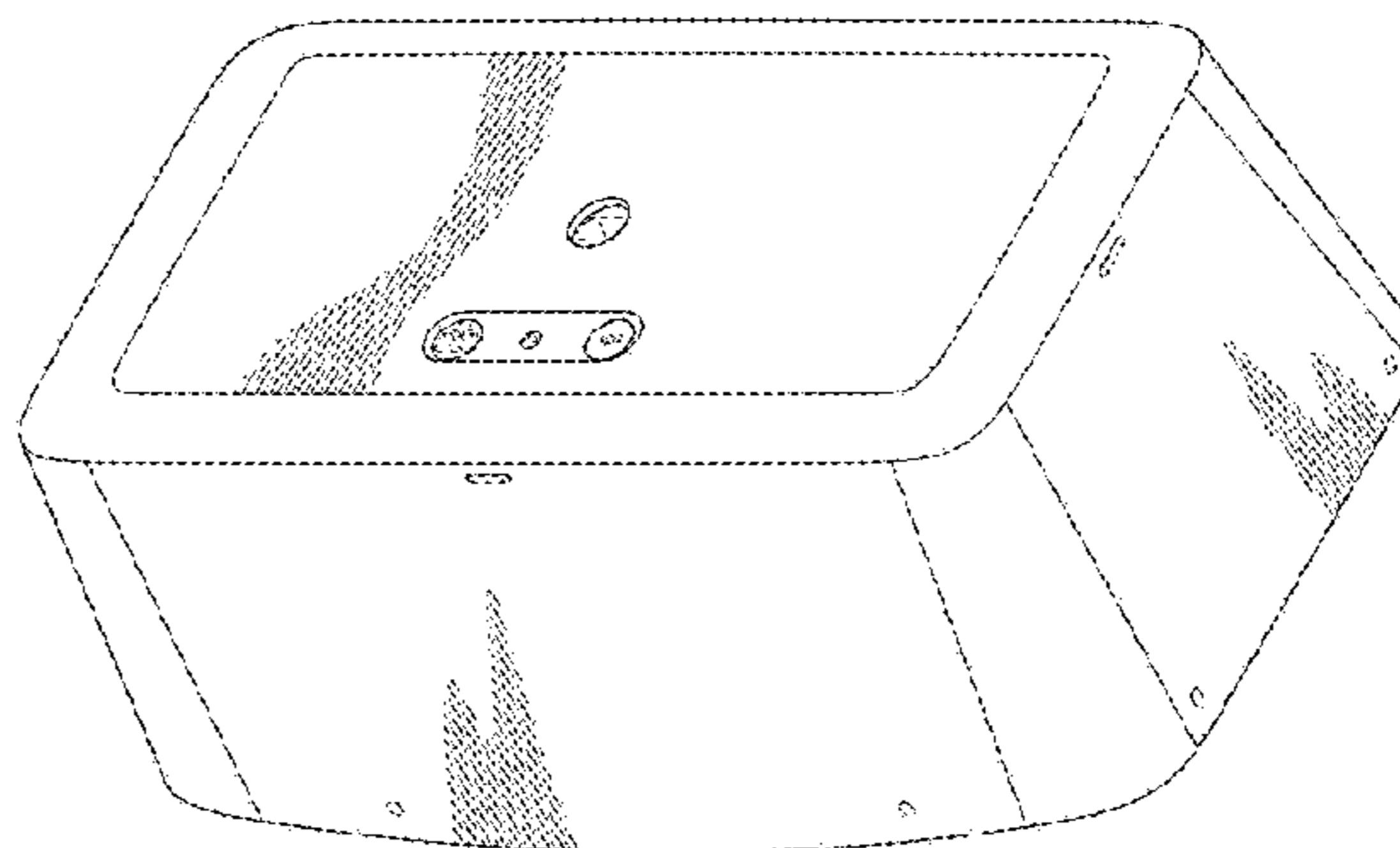
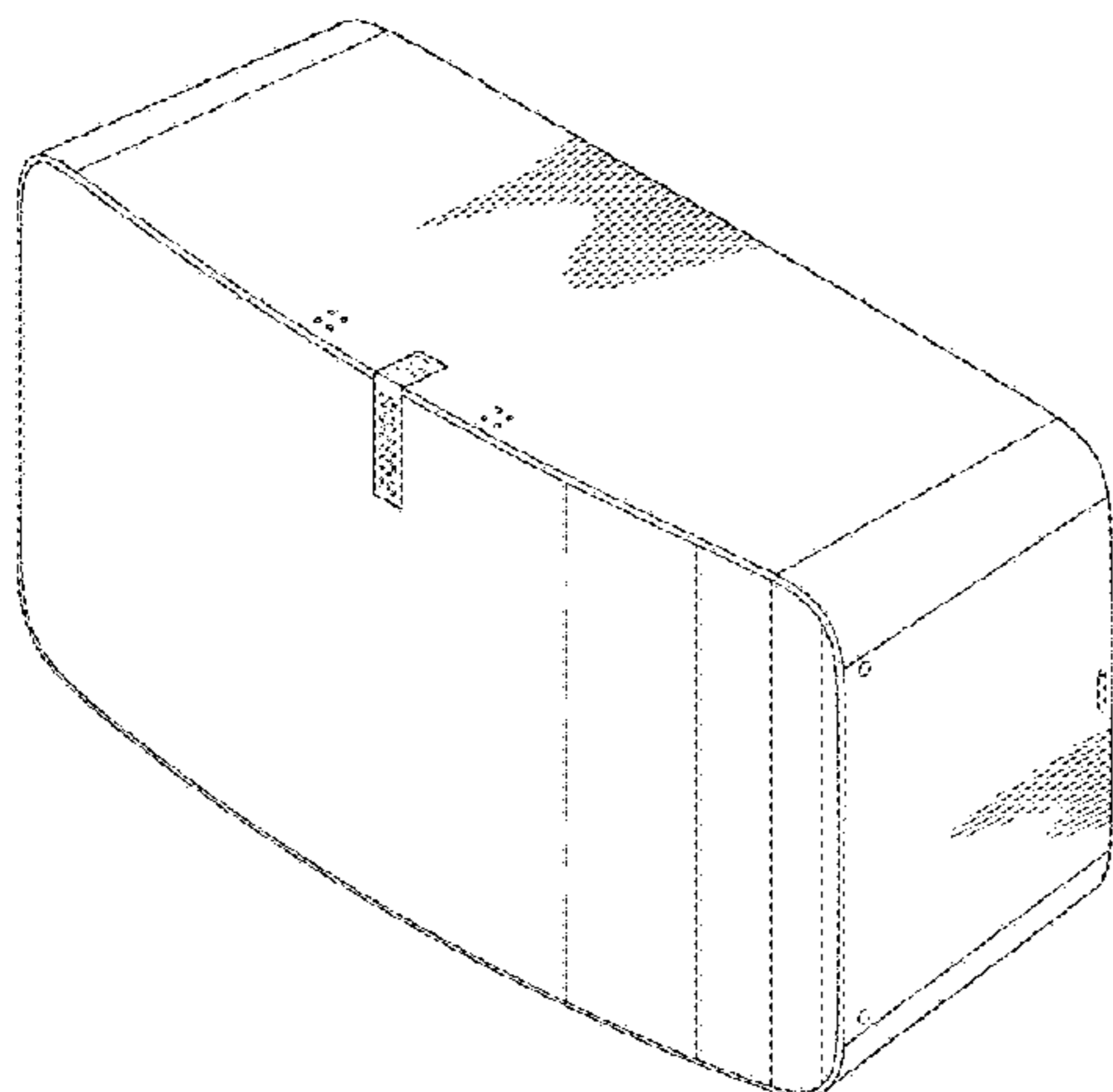


FIG. 17 is a bottom view of the embodiment of FIG. 10.  
 FIG. 18 is a perspective view of a media player having a black casing and black front speaker screen, according to a third embodiment of the invention.  
 FIG. 19 is another perspective view of the embodiment of FIG. 18.  
 FIG. 20 is a front view of the embodiment of FIG. 18.  
 FIG. 21 is a rear view of the embodiment of FIG. 18.  
 FIG. 22 is a left view of the embodiment of FIG. 18.  
 FIG. 23 is a right view of the embodiment of FIG. 18.  
 FIG. 24 is a top view of the embodiment of FIG. 18; and,  
 FIG. 25 is a bottom view of the embodiment of FIG. 18.  
 The broken lines shown are included for the purpose of illustrating portions of the media player that form no part of the claim.

**1 Claim, 22 Drawing Sheets  
 (11 of 22 Drawing Sheet(s) Filed in Color)**

**(58) Field of Classification Search**

CPC ..... B60R 11/0217; G06F 1/1688; G10K 9/22;  
 G10K 11/004; H03F 1/327; H04M 1/03;  
 H04M 1/035; H04N 5/642; H04N  
 21/4852; H04S 3/00; H04S 7/30; H04R  
 1/02; H04R 1/06; H04R 1/021; H04R  
 1/025; H04R 1/026; H04R 1/028; H04R  
 1/105; H04R 1/323; H04R 1/403; H04R  
 1/2803; H04R 1/2834; H04R 5/02; H04R  
 7/20; H04R 9/06; H04R 9/025; H04R  
 2201/021; H04R 2400/00; H04R 2400/07;  
 H04R 2499/11; H04R 2499/13; H04R  
 2499/15

See application file for complete search history.

**(56) References Cited**

**U.S. PATENT DOCUMENTS**

4,064,365	A	12/1977	Zeller	
5,519,572	A	5/1996	Luo	
6,035,962	A	3/2000	Lin	
6,278,789	B1	8/2001	Potter	
6,349,792	B1	2/2002	Smith	
D461,791	S	8/2002	Ma	
D462,065	S	8/2002	Silverstein et al.	
6,634,615	B1	10/2003	Bick et al.	
D484,484	S	12/2003	Green	
D498,742	S *	11/2004	Green	D14/188

D508,041	S	8/2005	Carbone et al.	
D512,988	S *	12/2005	Green	D14/214
D557,257	S	12/2007	Azumi	
D560,655	S *	1/2008	Carbone	D14/211
D560,656	S *	1/2008	Andre	D14/214
D574,849	S	8/2008	Chen	
D648,743	S *	11/2011	Chang	D14/168
D655,305	S	3/2012	Koo et al.	
D659,670	S *	5/2012	Goetzen	D14/194
D671,909	S *	12/2012	Choi	D14/188
D672,748	S *	12/2012	Burlingame, III	D14/214
D674,779	S *	1/2013	Joseph	D14/214
D677,245	S *	3/2013	Joseph	D14/204
D684,948	S	6/2013	Burlingame et al.	
D685,348	S *	7/2013	Szymanski	D14/214
D692,859	S *	11/2013	Ohashi	D14/214
D710,328	S *	8/2014	Kim	D14/212
D715,258	S *	10/2014	Osborn	D14/212
D739,380	S *	9/2015	Bolton	D14/214
9,376,051	B1	6/2016	Mckenna	
D768,602	S	10/2016	Reichert et al.	
D806,678	S	1/2018	Reichert et al.	
2003/0193654	A1	10/2003	Ushinski	
2006/0014431	A1	1/2006	Shuey et al.	
2014/0355806	A1 *	12/2014	Graff	H04R 1/025 381/334
2015/0036858	A1	2/2015	Aboabdo	
2015/0195635	A1	7/2015	Yau et al.	
2017/0085972	A1 *	3/2017	Reichert	H04R 1/025

**OTHER PUBLICATIONS**

Engadget—Sonos Play:5 review (2015) , announced Oct. 29, 2015 [online], [site visited Mar. 16, 2017]. Available from internet, URL: <<https://www.engadget.com/2015/10/29/sonos-play-5-review-2015/#/>>.\*

ARS—Sonos Play:5 review, announced Nov. 8, 2015 [online], [site visited Mar. 16, 2017]. Available from internet, URL: <<https://arstechnica.com/gadgets/2015/11/sonos-play5-review-the-best-sounding-wireless-speaker-system-weve-ever-used/>>.\*

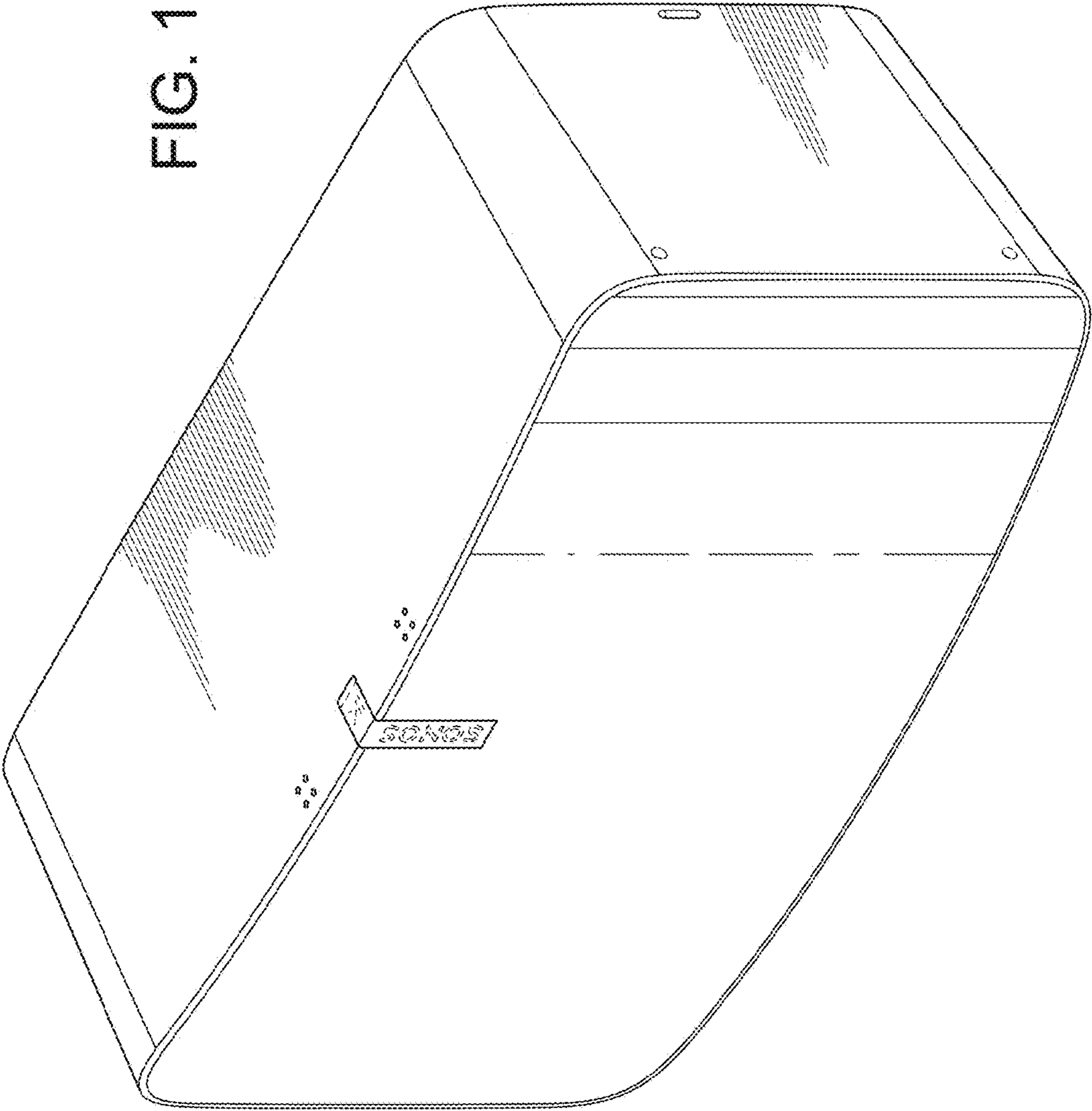
The Verge—Sonos Play:3 review, announced Oct. 12, 2011 [online], [site visited Mar. 16, 2017]. Available from internet, URL: <<http://www.theverge.com/2011/10/12/2481479/sonos-play-3-review>>.\*

Pioneer Electronics, XW-SMA1 Large, Retrieved from: [http://www.pioneerelectronics.com/StaticFiles/PUSA/Images/Product%20Images/Home/XW-SMA1\\_large.jpg](http://www.pioneerelectronics.com/StaticFiles/PUSA/Images/Product%20Images/Home/XW-SMA1_large.jpg), Retrieved on Sep. 22, 2015, 1 pg.

“ValueBasket.com”, Pioneer Wireless Speaker, Retrieved from: <http://www.valuebasket.com/blog/wp-content/uploads/2013/07/Pioneer-Wireless.jpg>, Retrieved on Sep. 22, 2015, 1 pg.

\* cited by examiner

FIG. 1



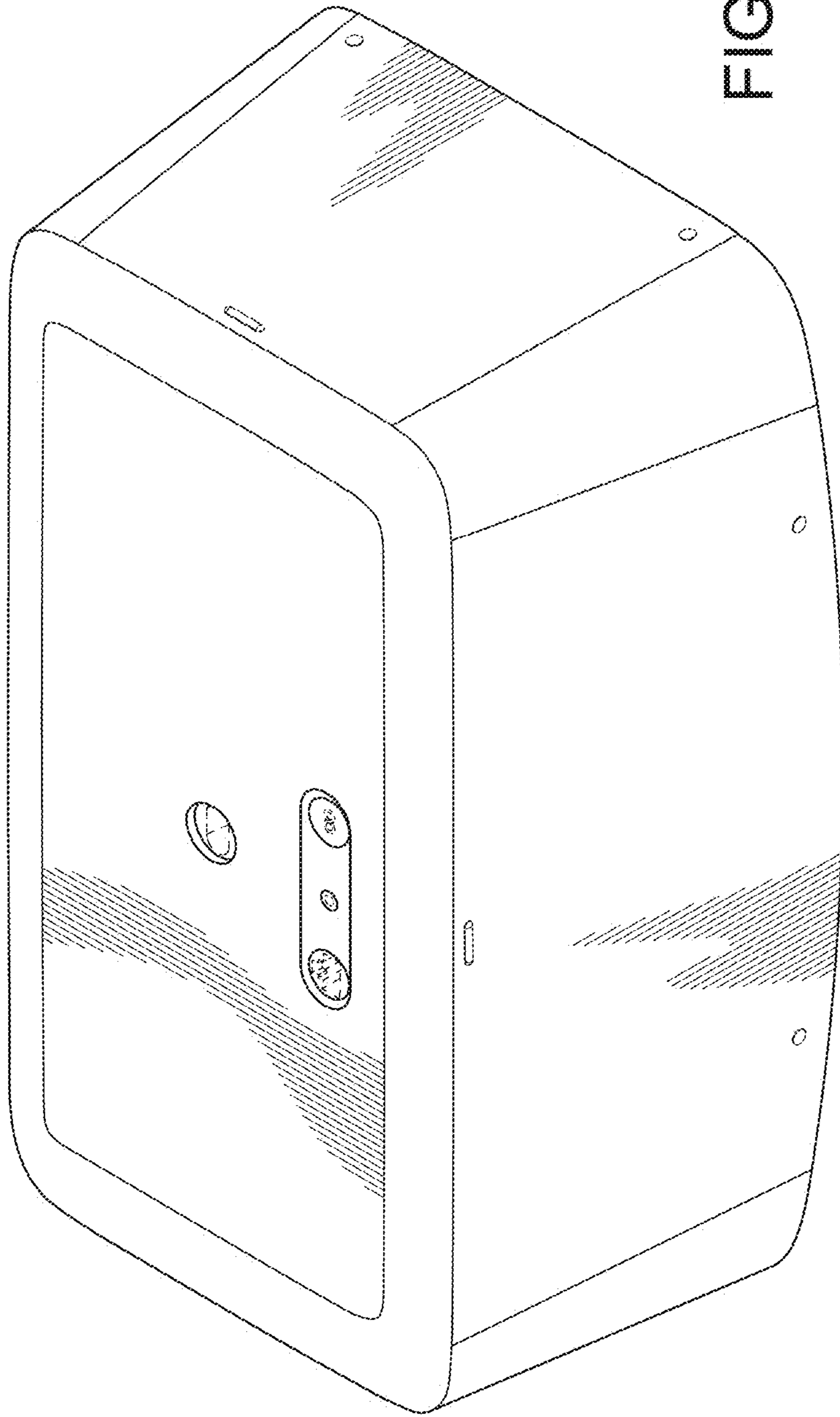


FIG. 2

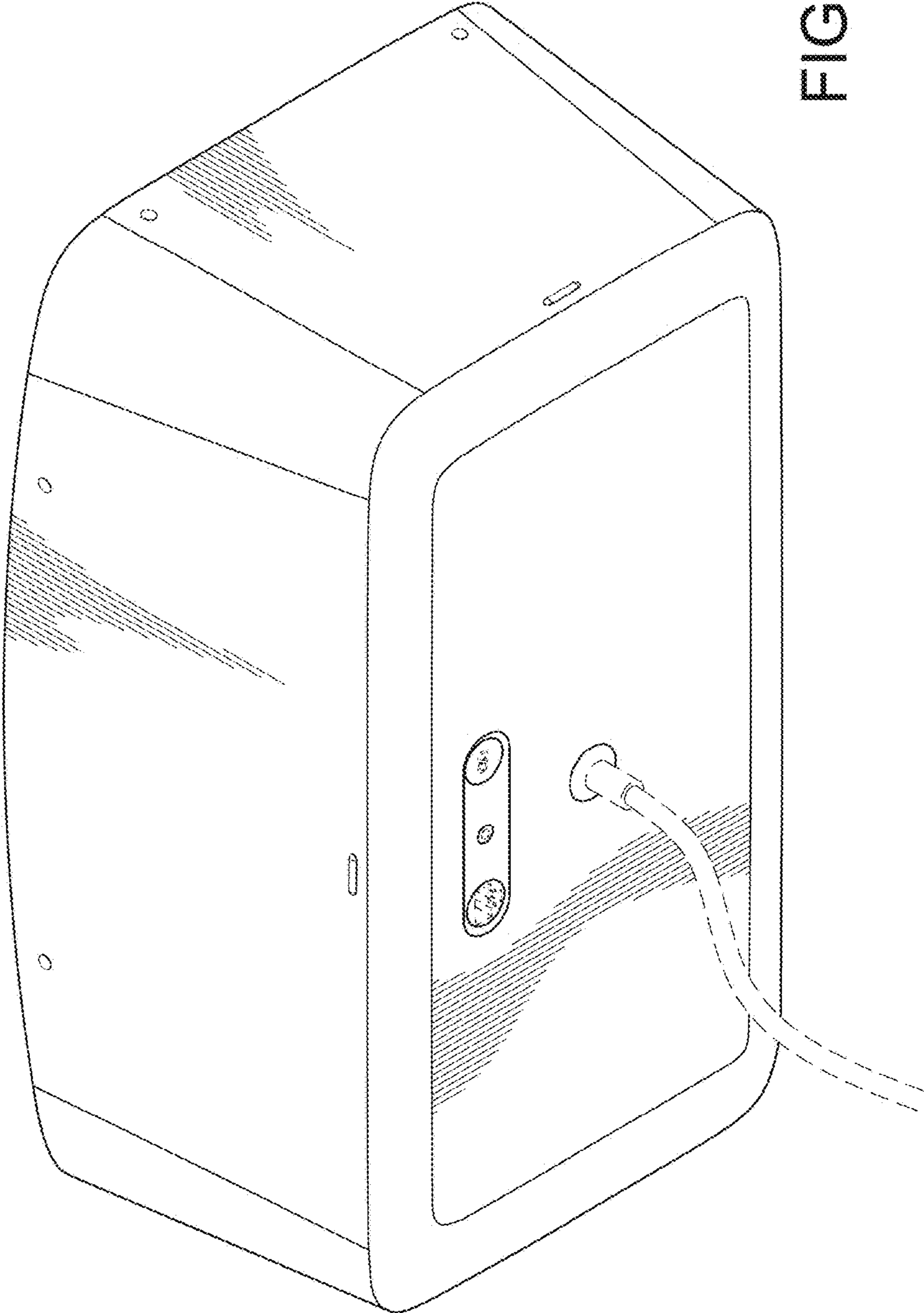


FIG. 3

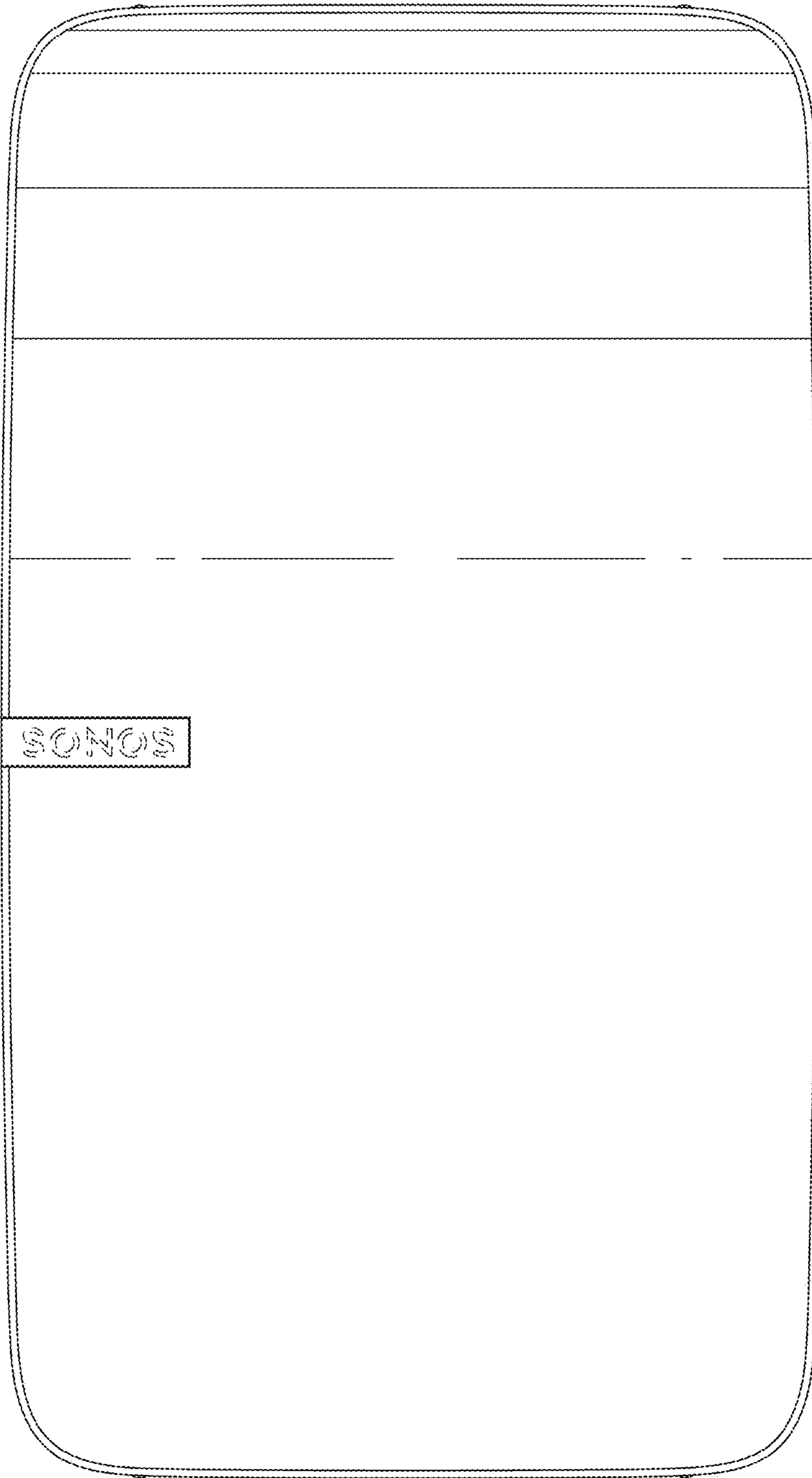


FIG. 4

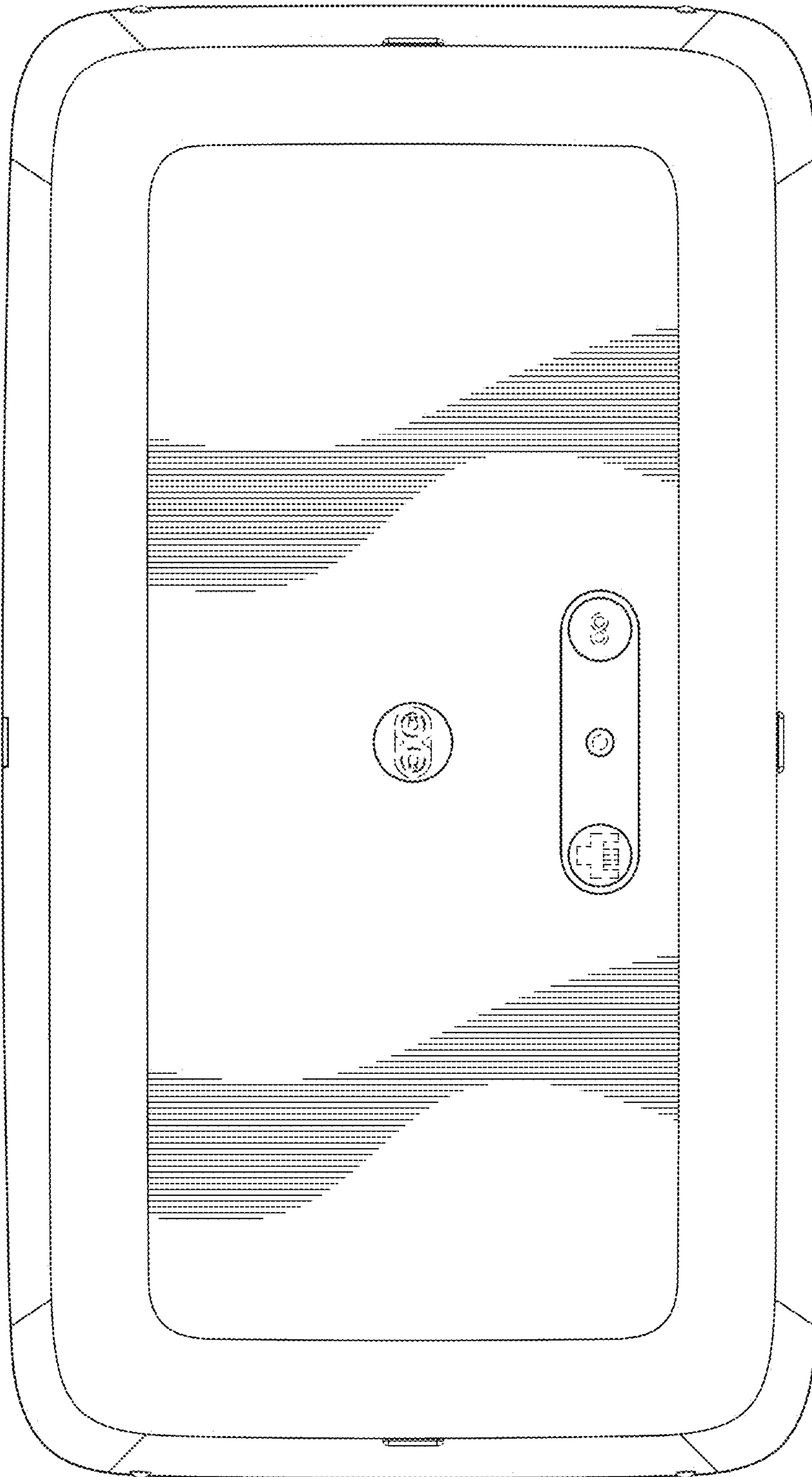


FIG. 5

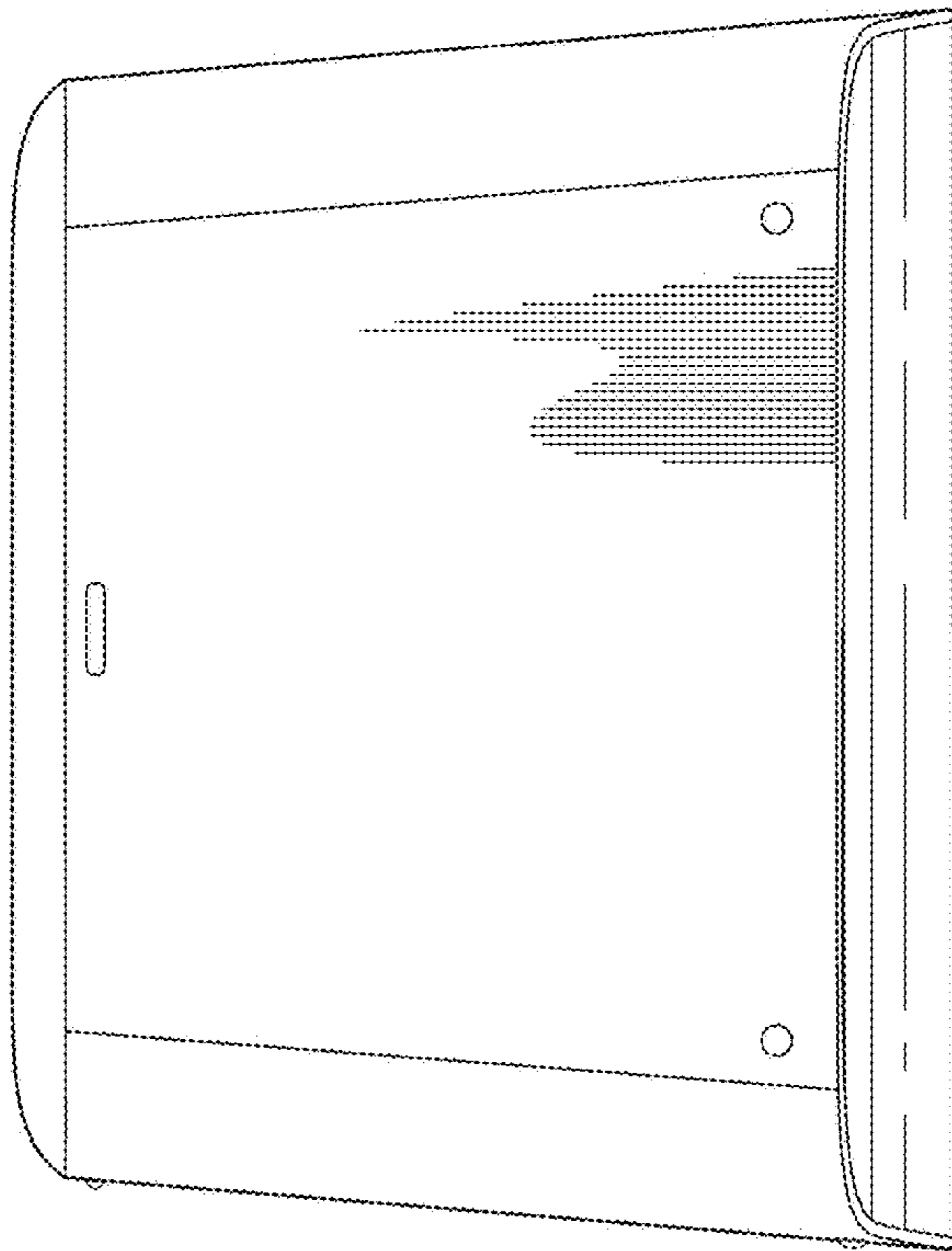


FIG. 6

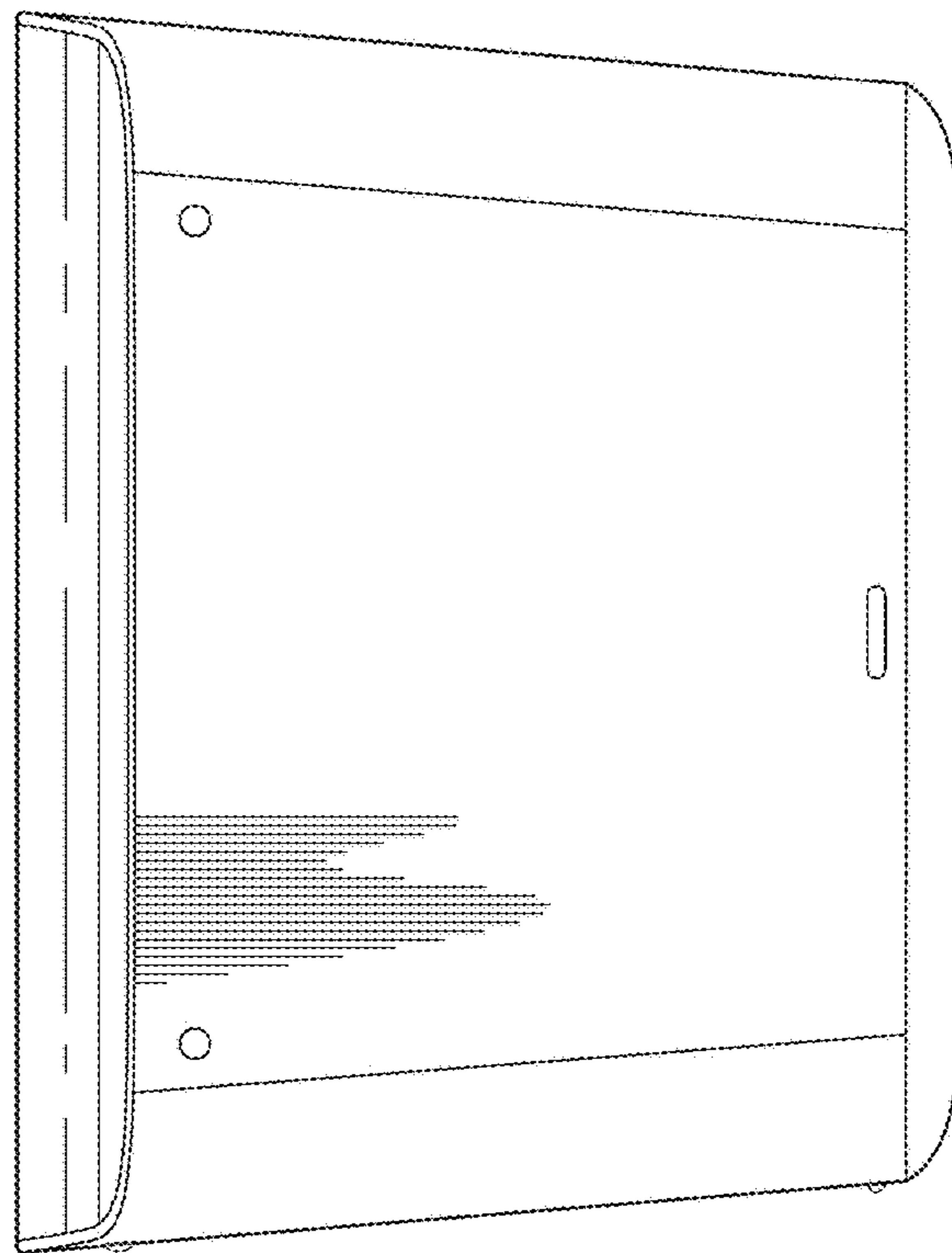


FIG. 7



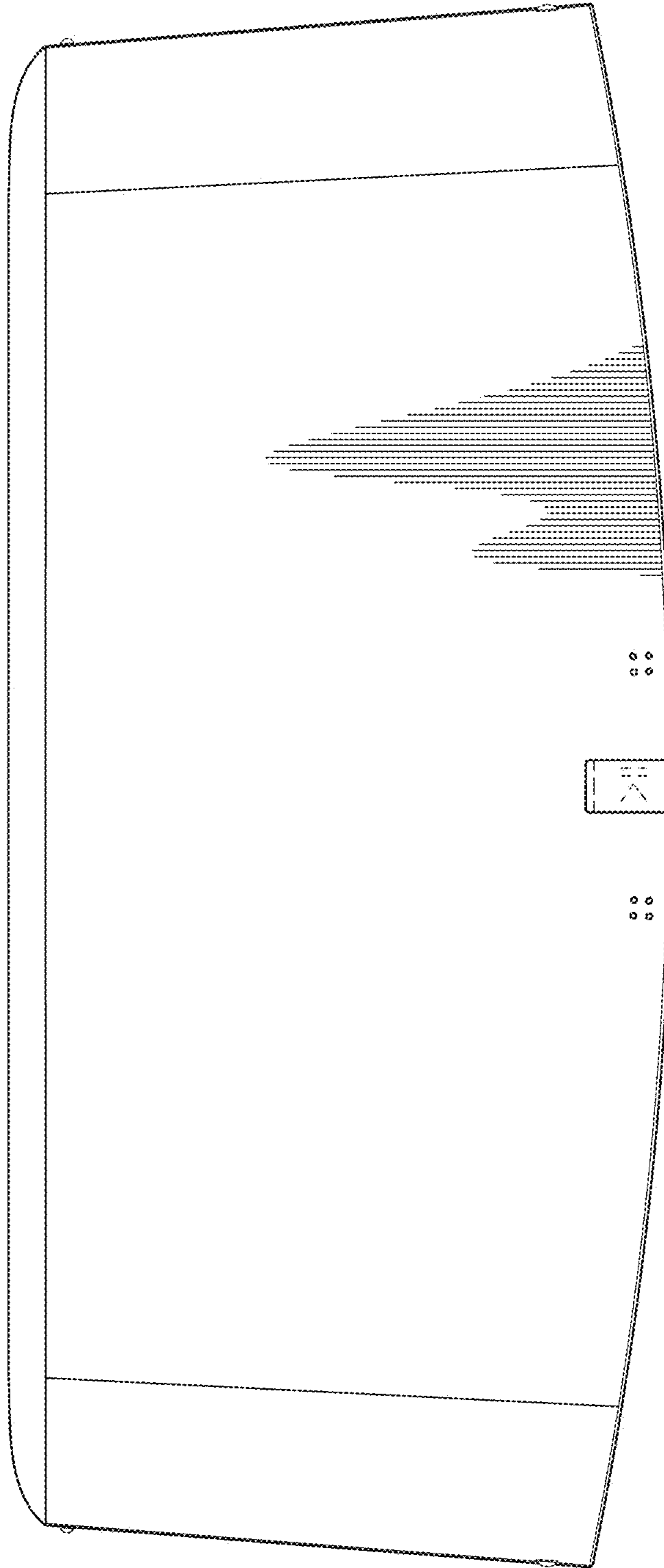


FIG. 8

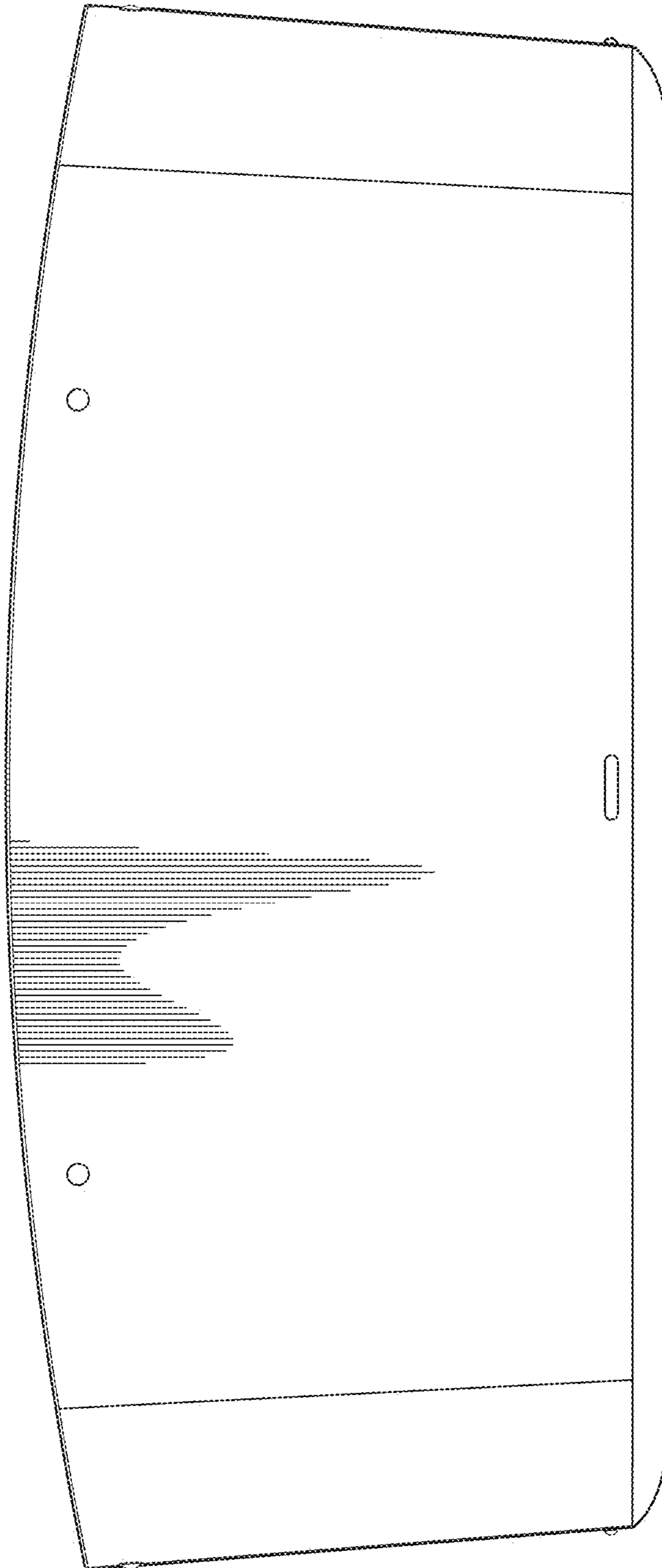
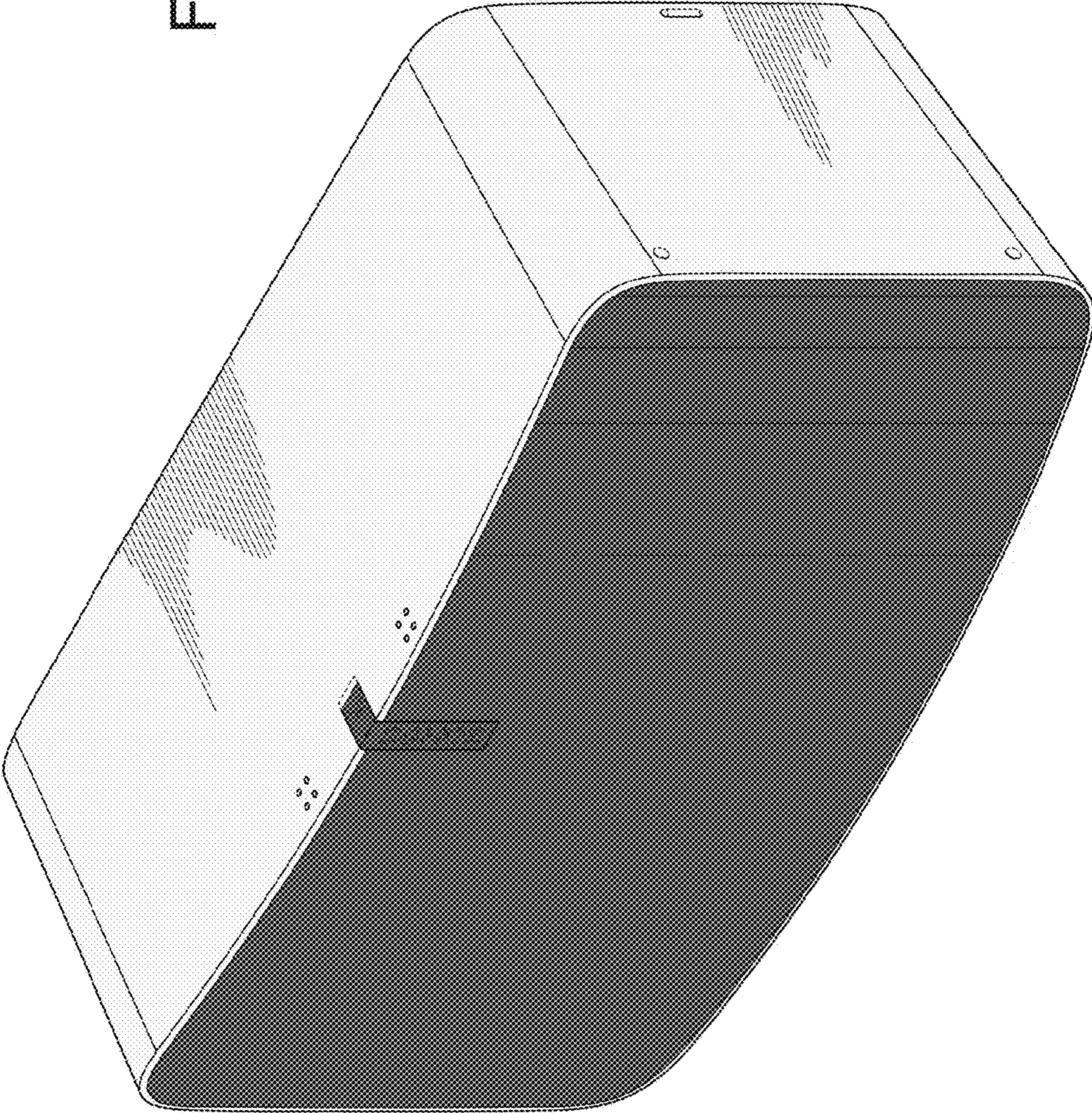


FIG. 9

FIG. 10



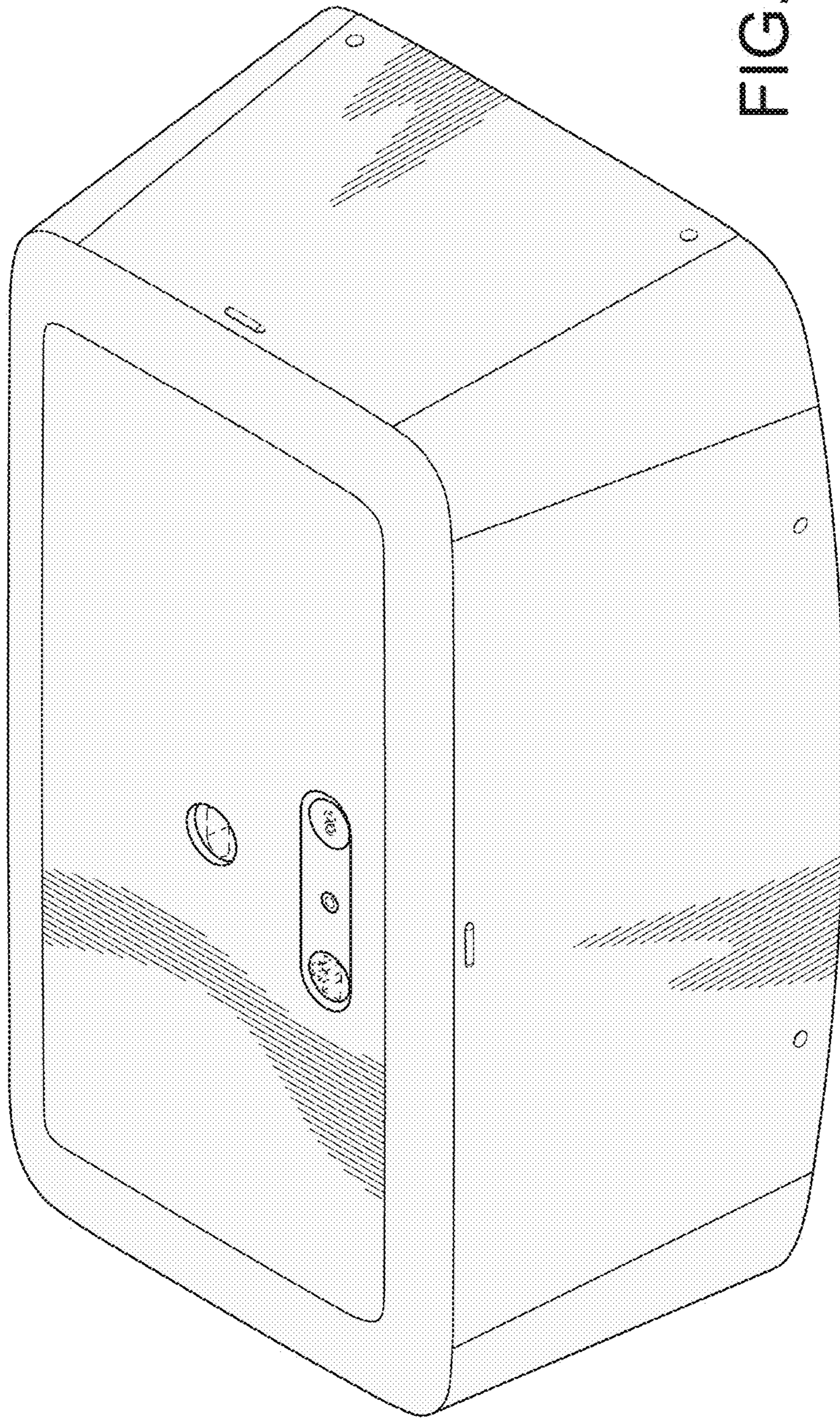


FIG. 11

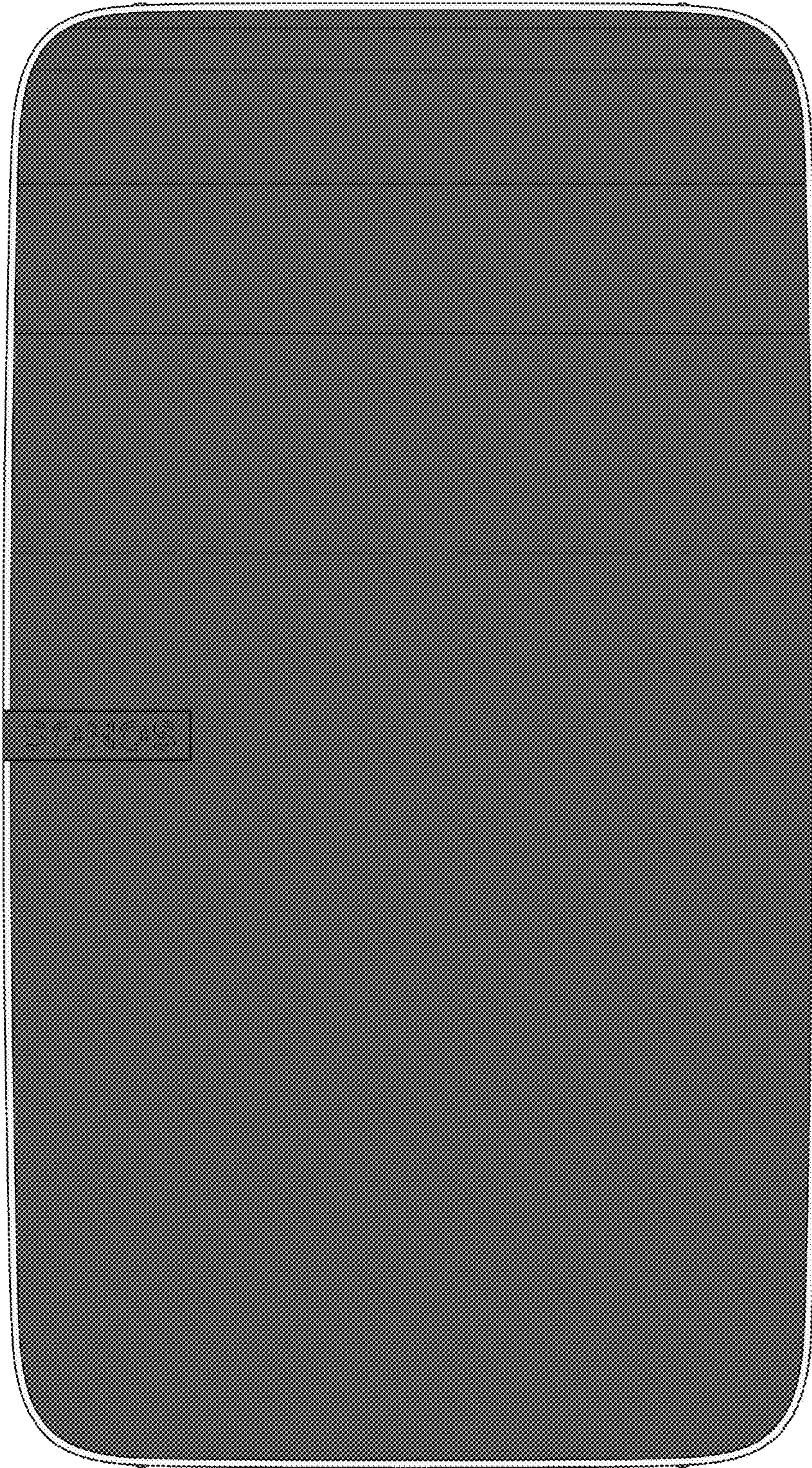


FIG. 12

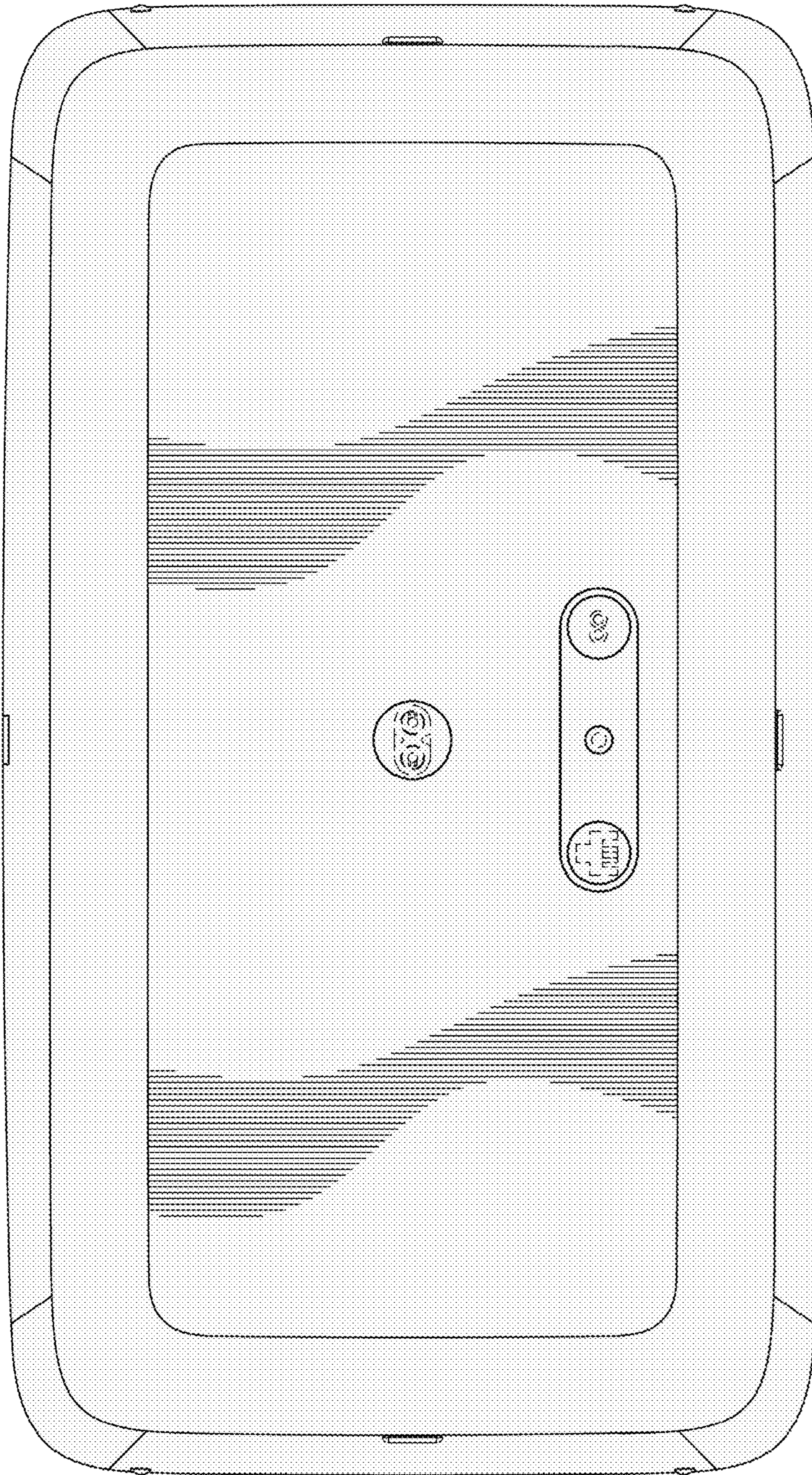


FIG. 13

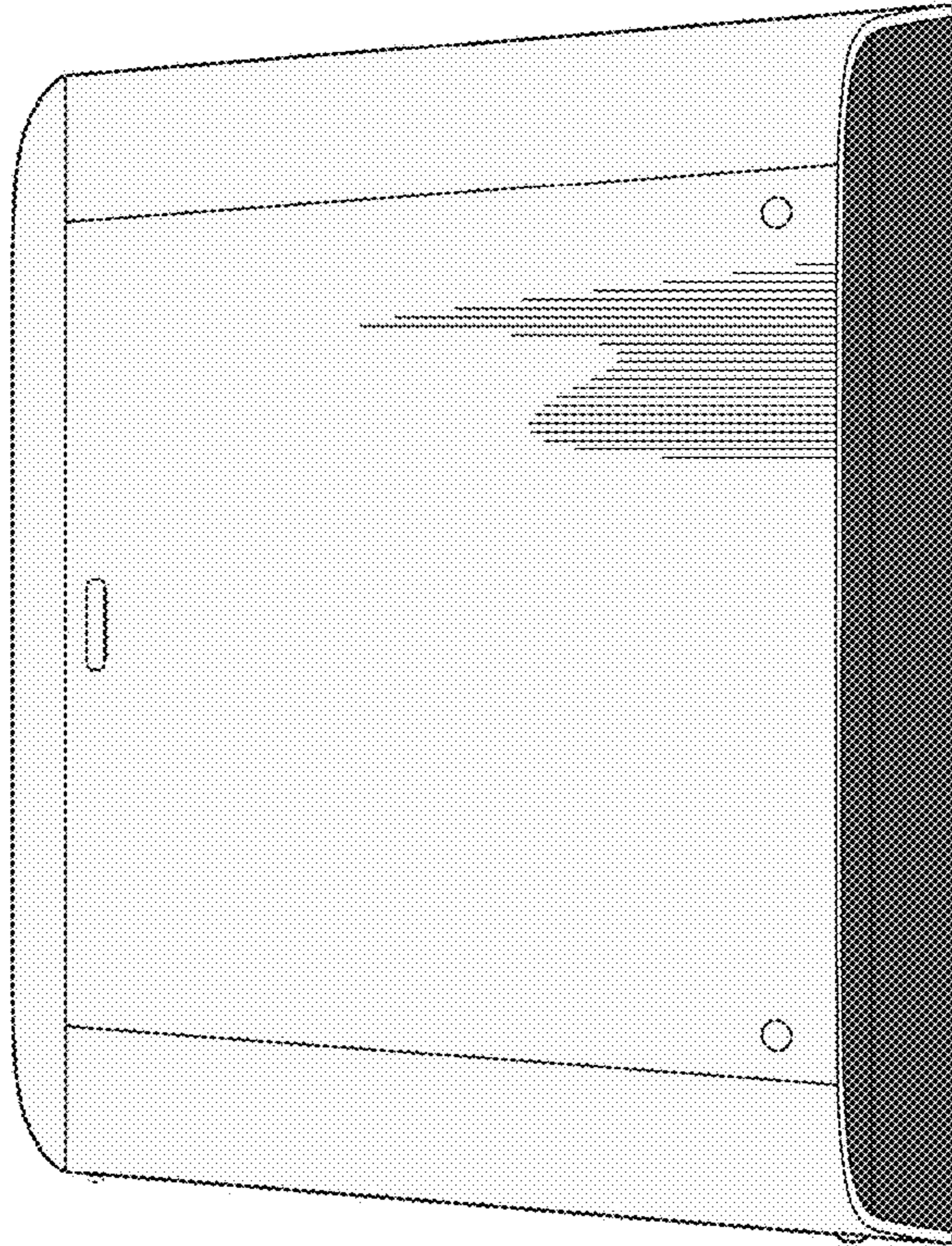


FIG. 14

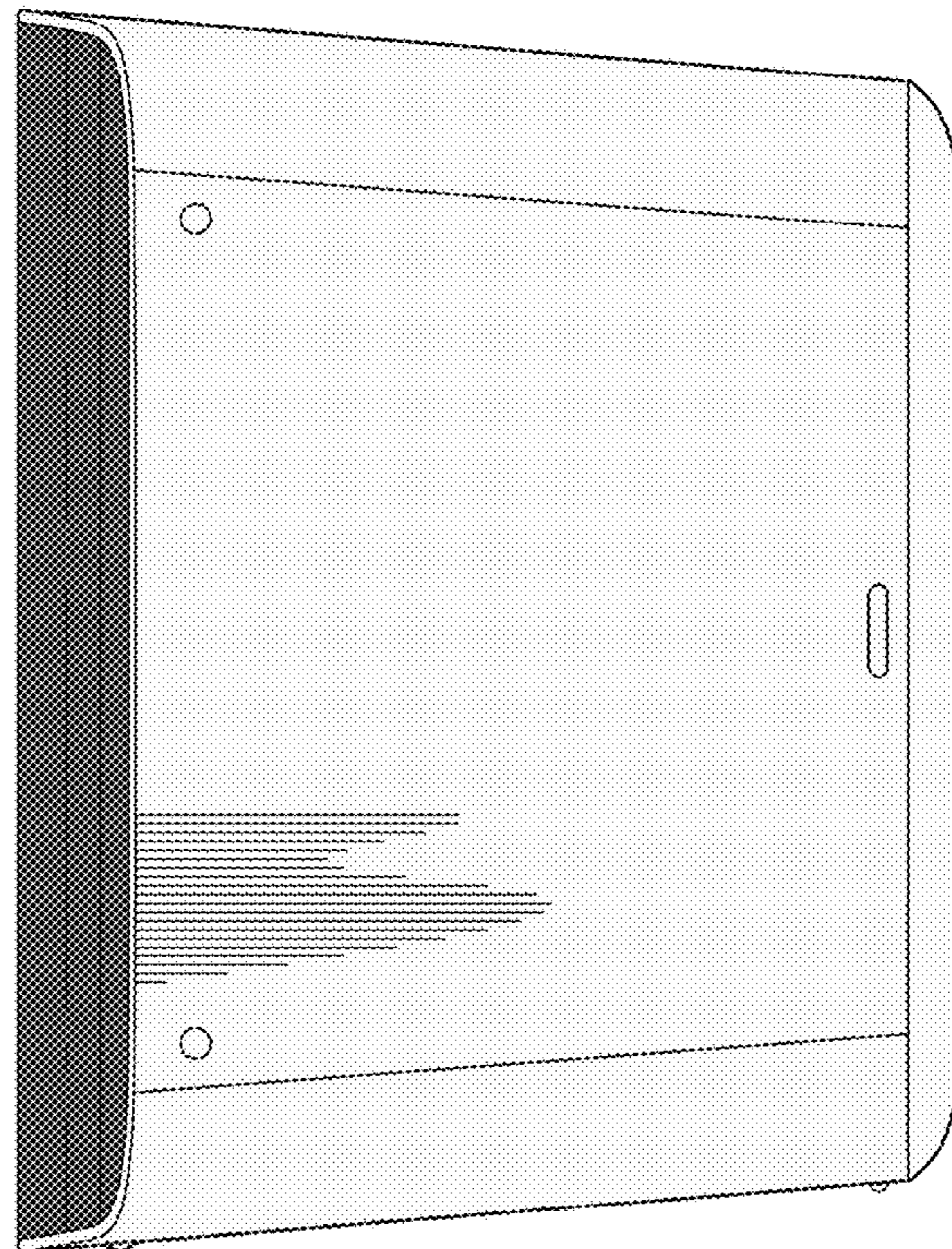


FIG. 15

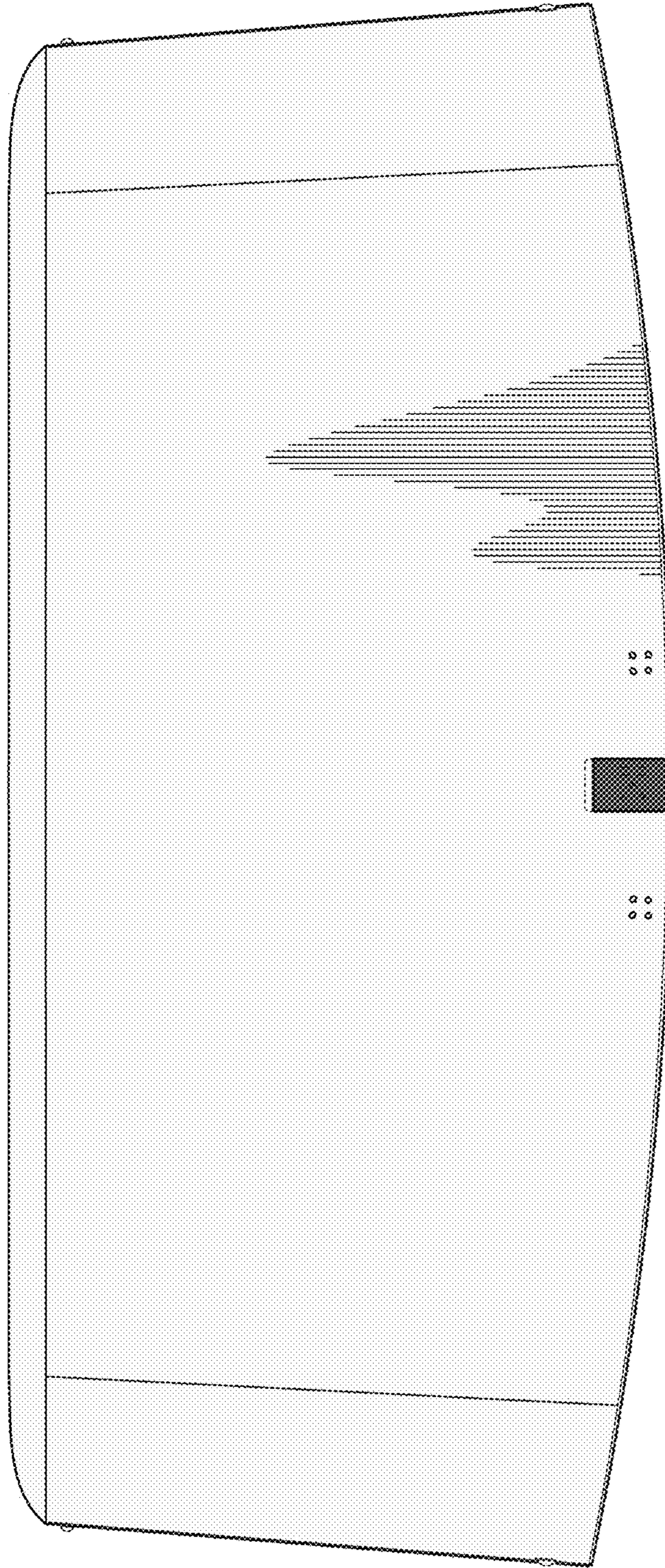


FIG. 16



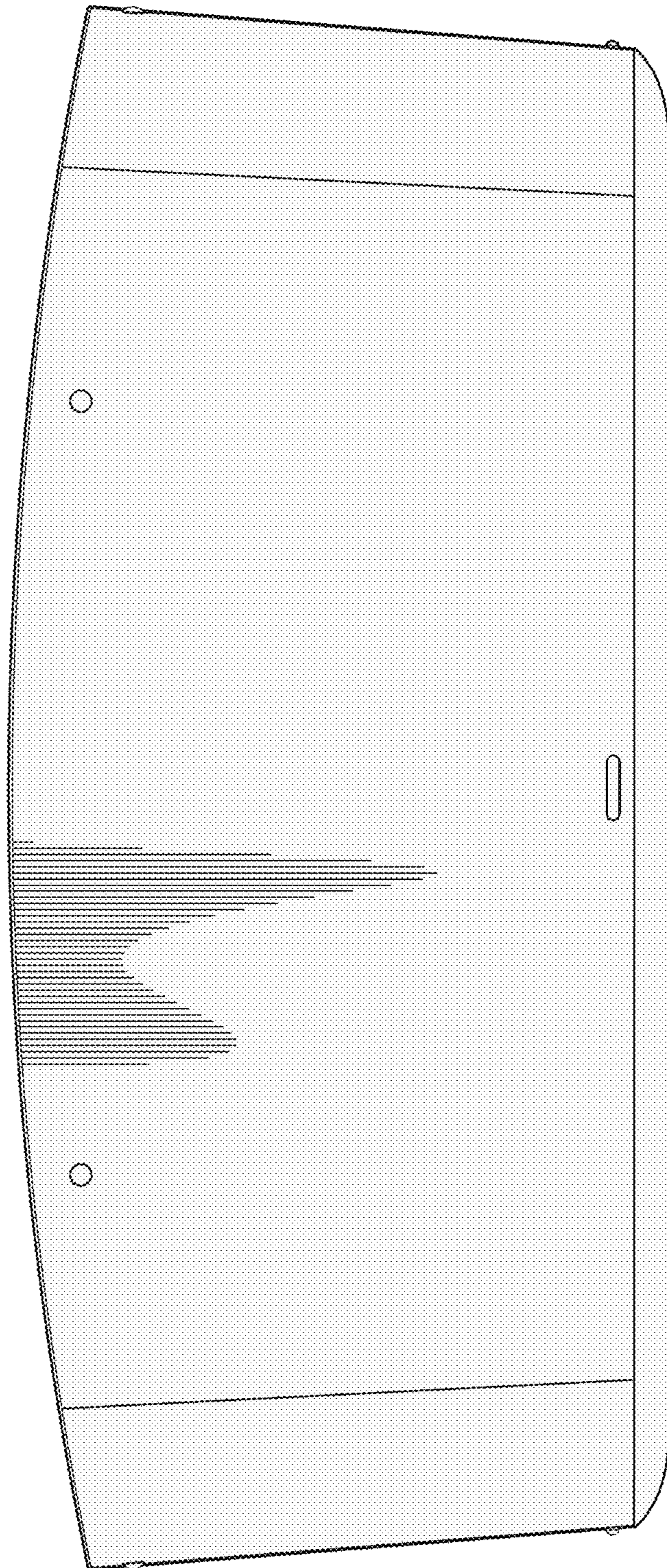


FIG. 17

FIG. 18

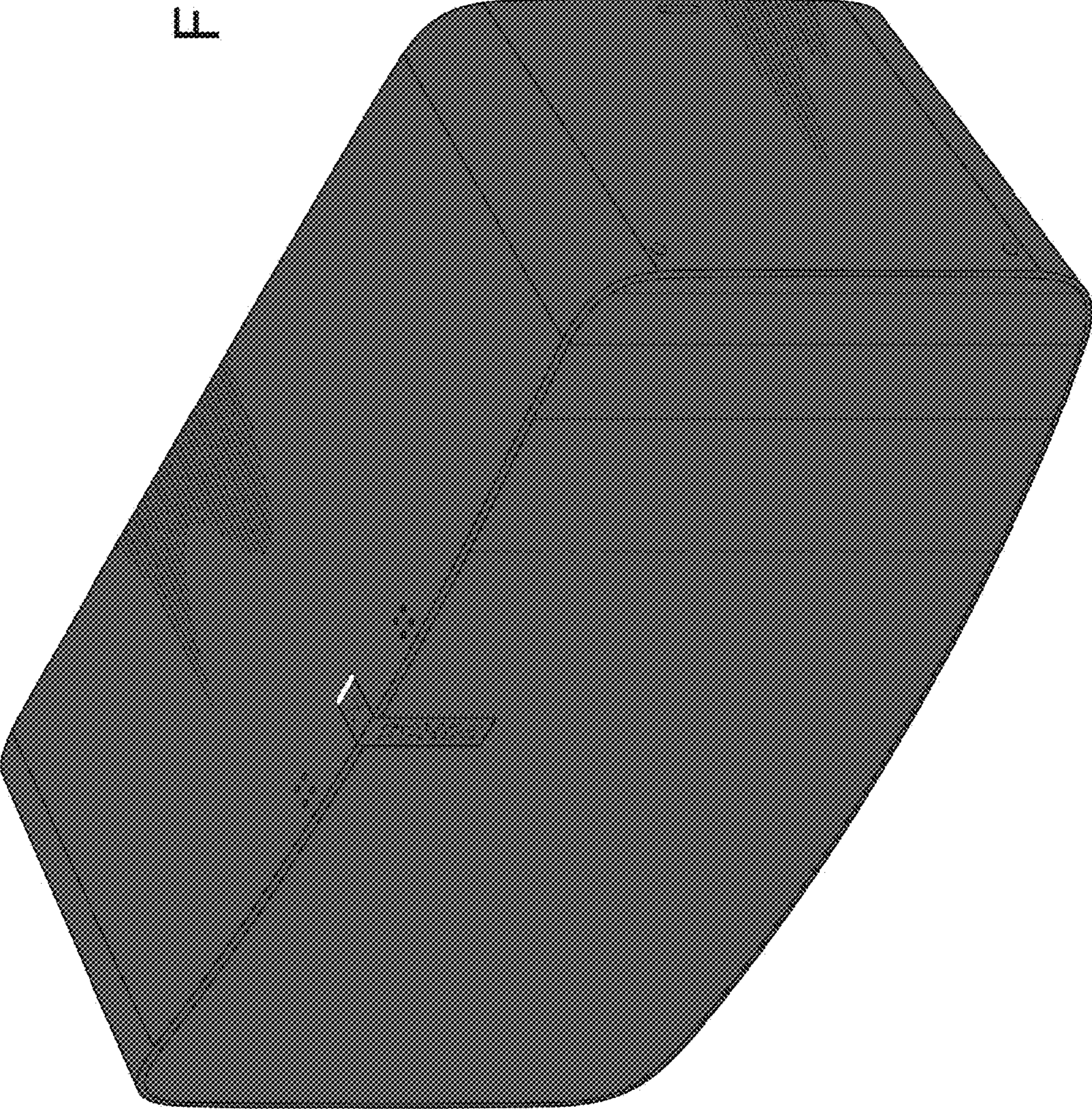




FIG. 19

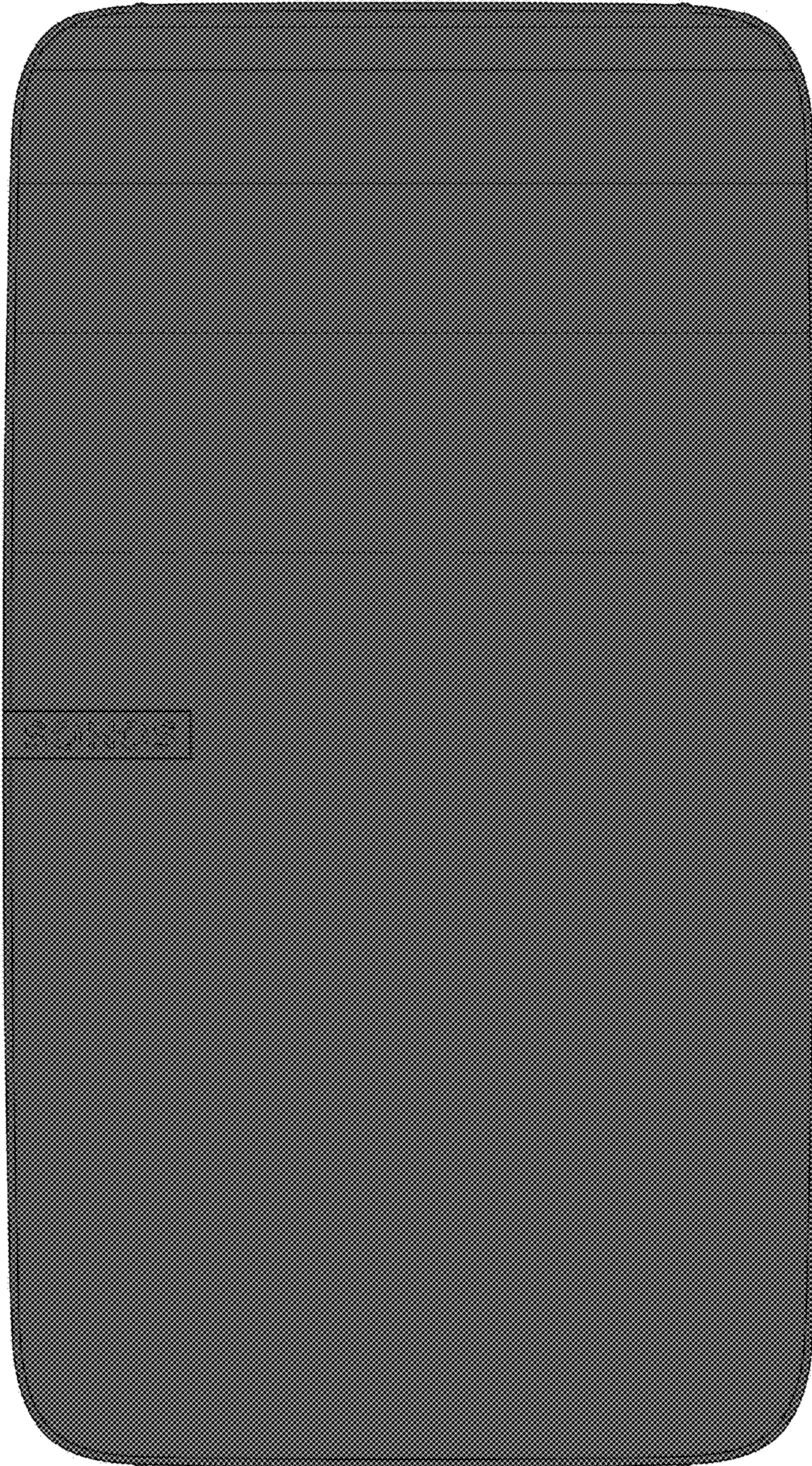


FIG. 20

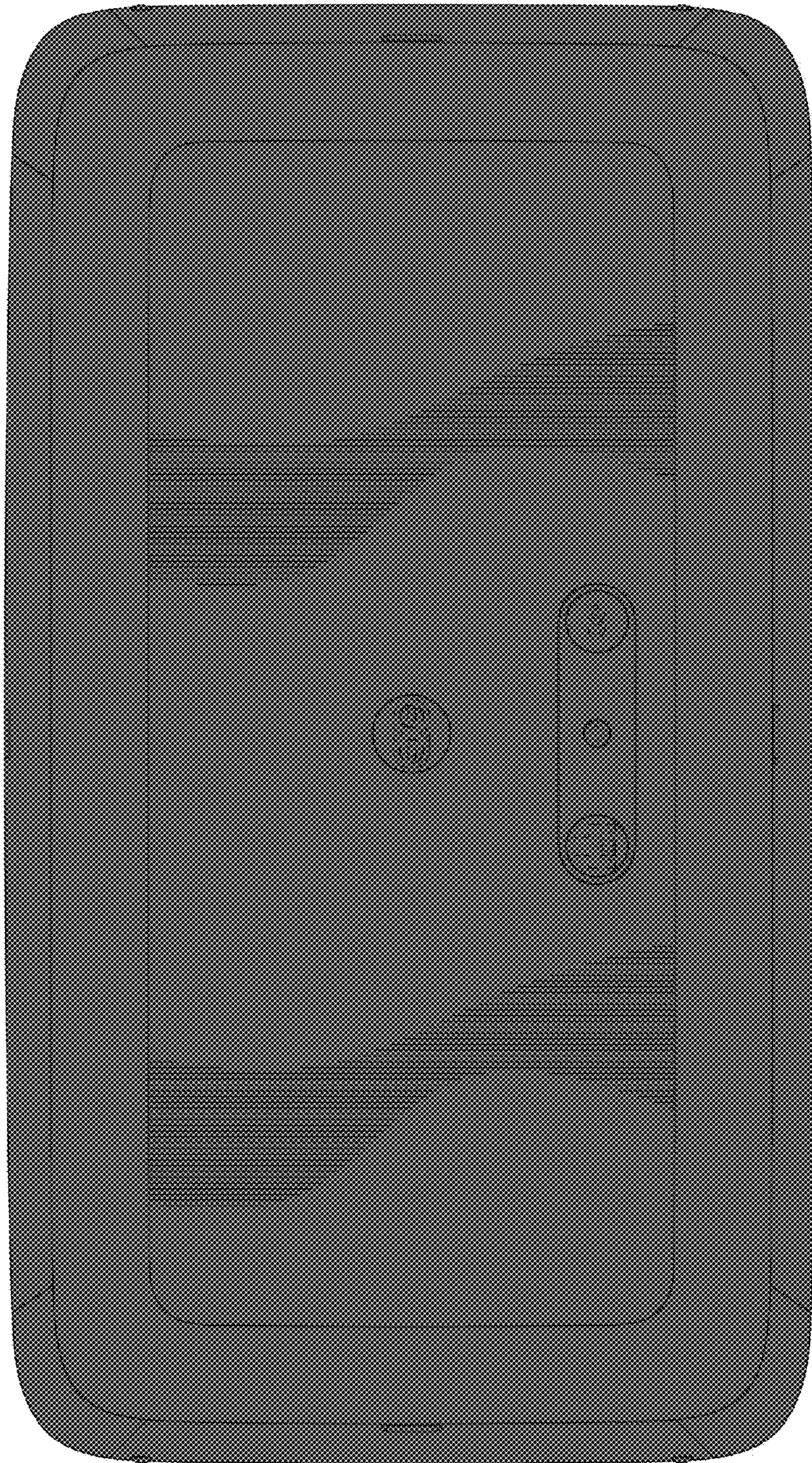


FIG. 21

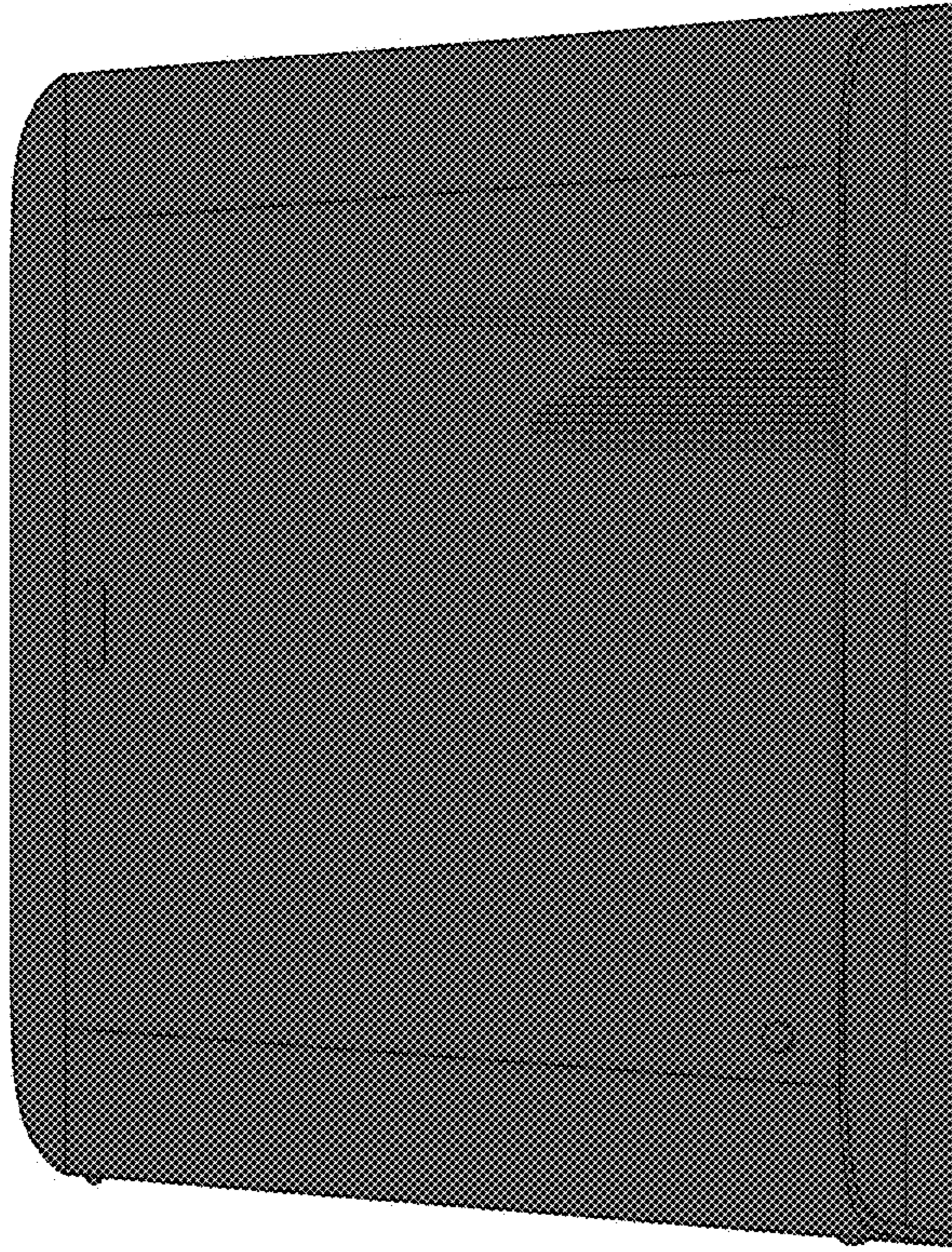


FIG. 22

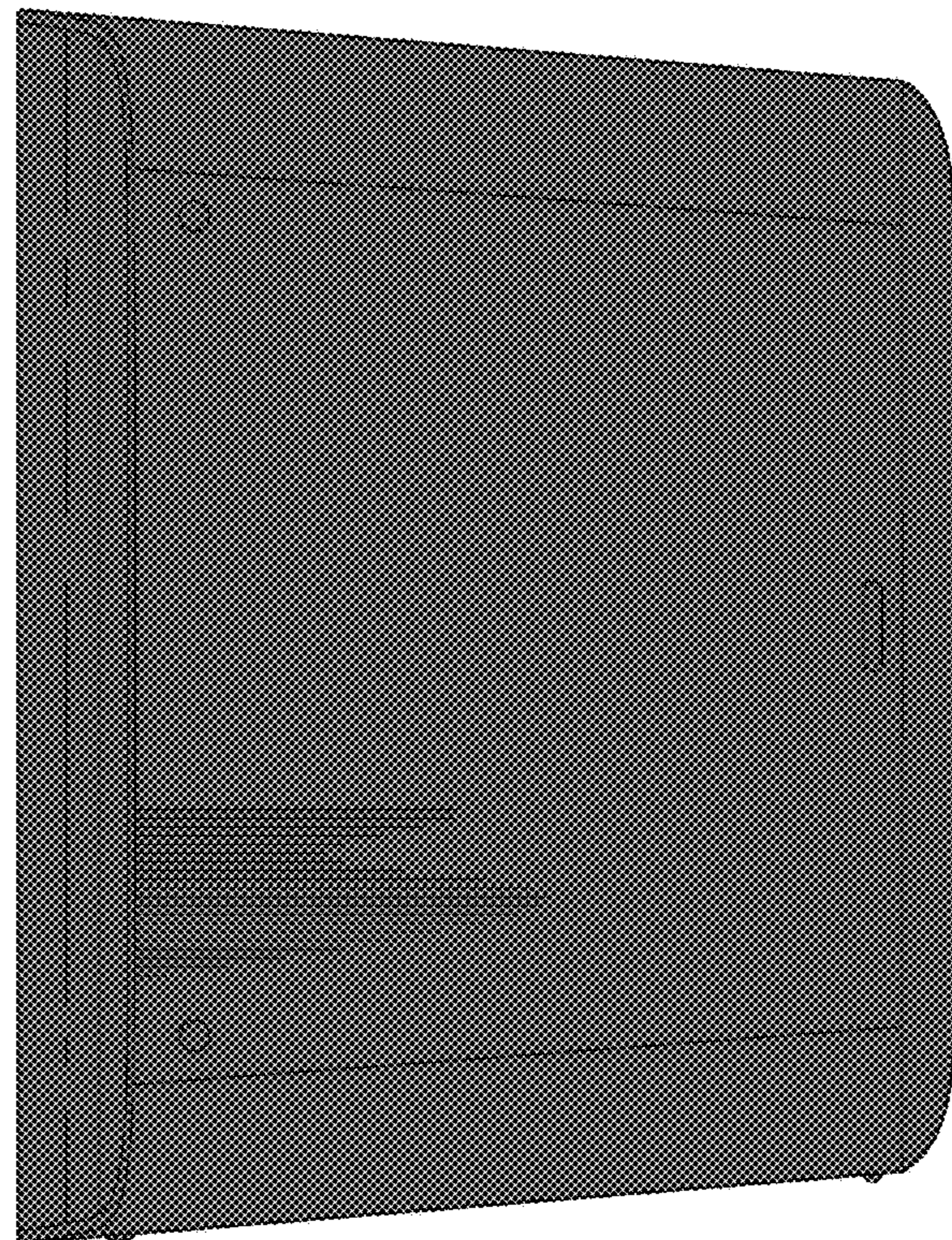


FIG. 23

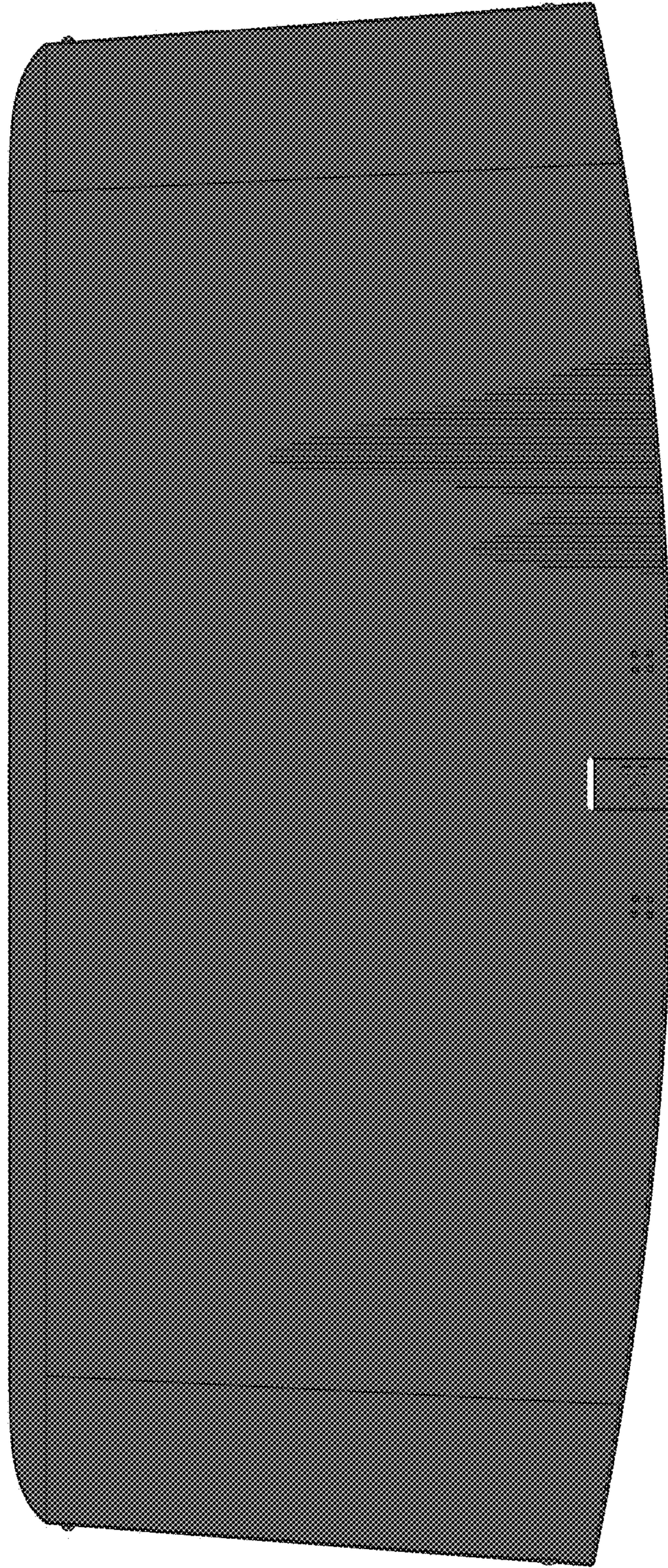


FIG. 24

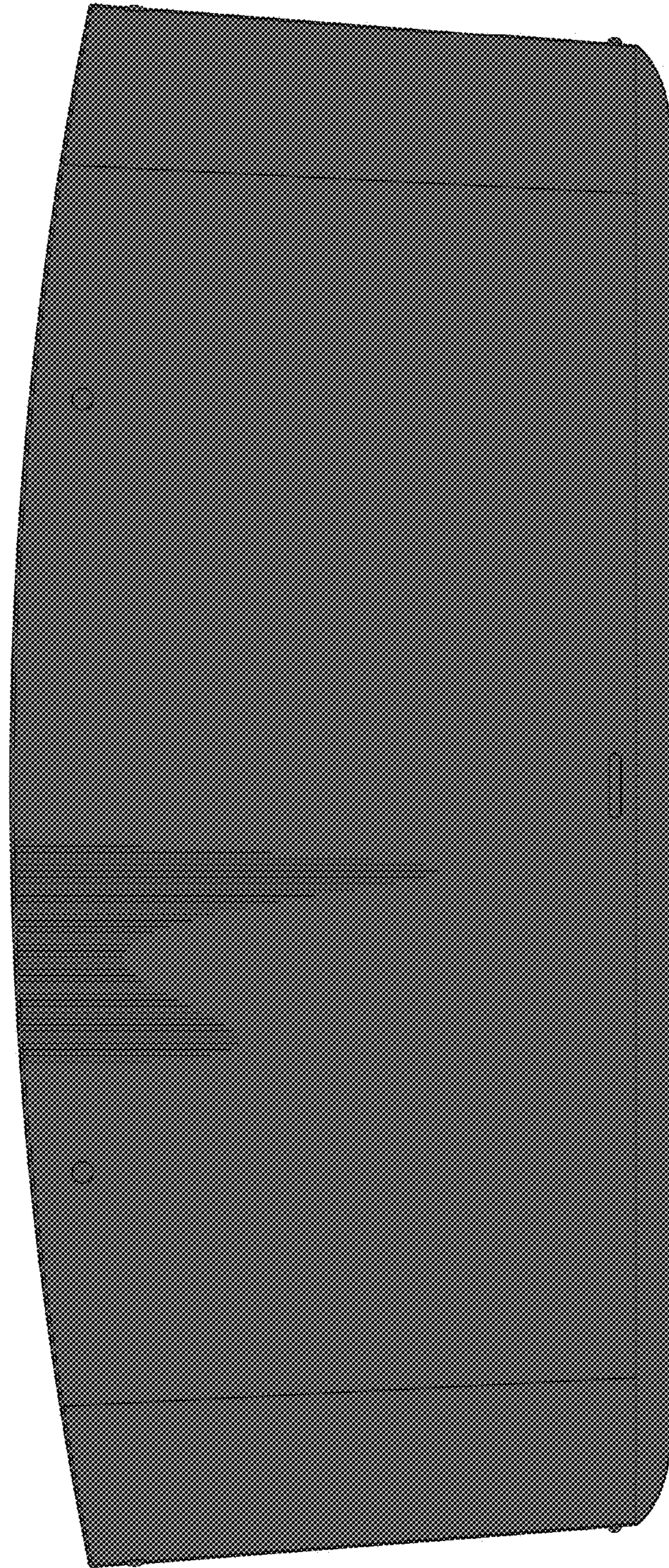


FIG. 25