



US00D815057S

(12) **United States Design Patent**  
**Holzer**

(10) **Patent No.:** **US D815,057 S**  
(45) **Date of Patent:** **\*\* Apr. 10, 2018**

(54) **CLOCK RADIO**

(71) Applicant: **SDI Technologies, Inc.**, Rahway, NJ  
(US)

(72) Inventor: **Eric Holzer**, Manville, NJ (US)

(73) Assignee: **SDI Technologies, Inc.**, Rahway, NJ  
(US)

(\*\*) Term: **15 Years**

(21) Appl. No.: **29/574,071**

(22) Filed: **Aug. 11, 2016**

(51) **LOC (11) Cl.** ..... **14-01**

(52) **U.S. Cl.**  
USPC ..... **D14/171; D10/2; D10/15**

(58) **Field of Classification Search**  
USPC ..... D10/2, 40, 42; D14/157, 168-171,  
D14/198-199, 203.1-203.7, 217, 496,  
D14/498-511; D99/28  
CPC .... G04B 37/00; G04B 45/0076; G04B 17/00;  
G04B 19/223; G04B 19/24; H04M 1/04;  
H04B 1/06; H04B 1/08  
See application file for complete search history.

(56) **References Cited**

**U.S. PATENT DOCUMENTS**

D225,359 S *	12/1972	Katsuhiko	.....	D10/15
D241,977 S *	10/1976	Katsuhiko	.....	D10/15
D250,762 S *	1/1979	Kawano	.....	D10/2
D261,765 S *	11/1981	Mishiro	.....	D10/15
D261,766 S *	11/1981	Miyanaga	.....	D10/15
D277,960 S *	3/1985	Brandsma	.....	D10/15
D402,655 S *	12/1998	Hargrove, III	.....	D10/2
D412,853 S *	8/1999	Kokkinis	.....	D10/1
D414,491 S *	9/1999	Kokkinis	.....	D14/171
D416,901 S *	11/1999	Duke	.....	D14/171
D556,185 S *	11/2007	Motoishi	.....	D10/2
D565,536 S *	4/2008	Obata	.....	D14/171
D605,625 S *	12/2009	Skurdal	.....	D14/171

D614,200 S *	4/2010	Skurdal	.....	D14/496
D618,252 S *	6/2010	Bradford	.....	D14/203.1
D622,258 S *	8/2010	Joseph	.....	D10/2
D645,841 S *	9/2011	Joseph	.....	D14/171
D671,521 S *	11/2012	Song	.....	D14/168

(Continued)

**OTHER PUBLICATIONS**

iHome HPL12 | PDF posted at twsdistributors.com Upload date  
Apr. 2017 © 2016 SDI Technologies [online][site visited Jan. 24,  
2017]. Available from Internet: <<http://twsdistributors.com/wp-content/uploads/2017/04/HBL12B-Specs.pdf>> (Year: 2016).\*

(Continued)

*Primary Examiner* — Sandra S Snapp  
*Assistant Examiner* — Katherine Glennon  
(74) *Attorney, Agent, or Firm* — Leason Ellis LLP

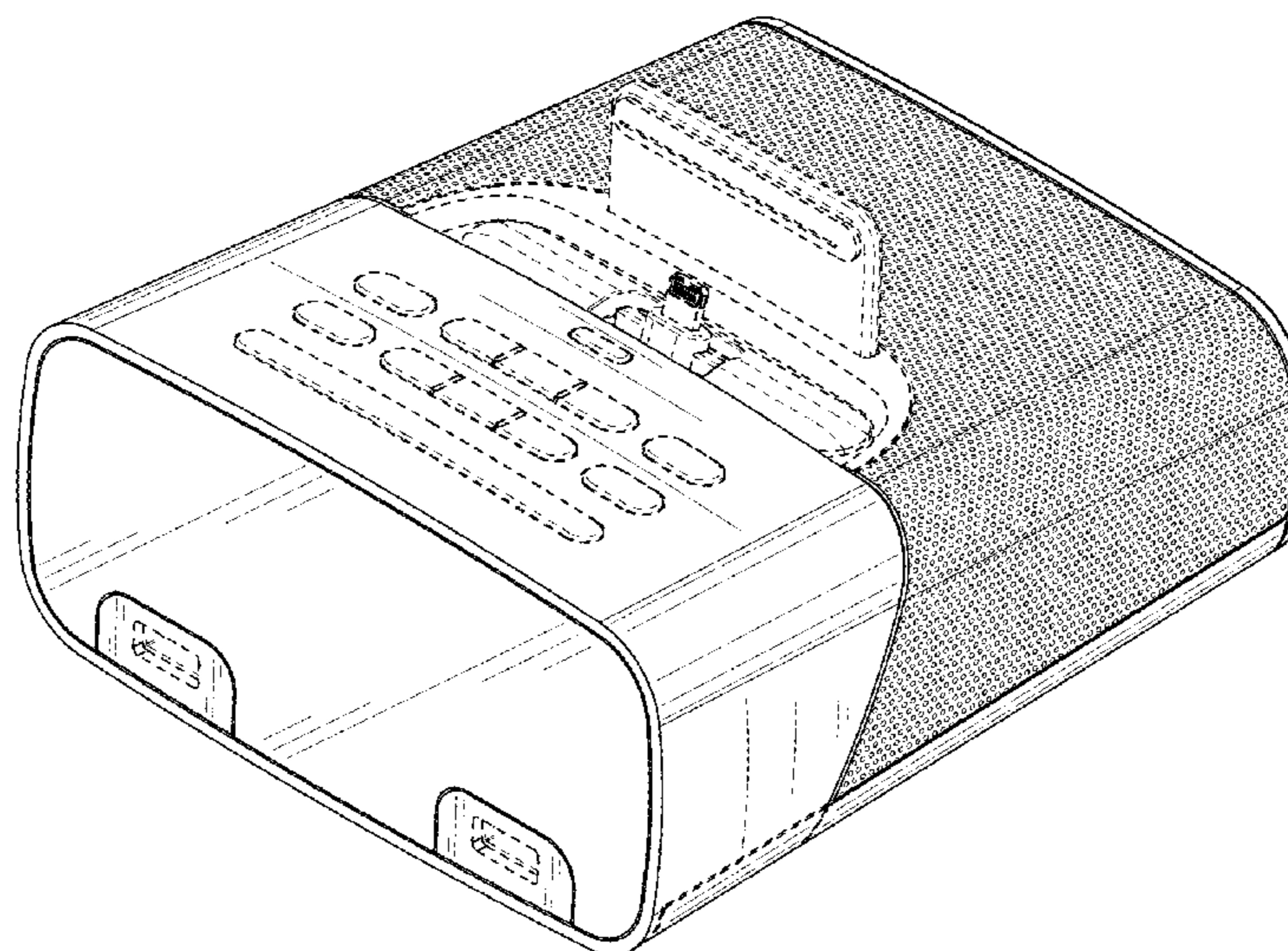
(57) **CLAIM**

The ornamental design for a clock radio, as shown and described.

**DESCRIPTION**

FIG. 1 is a front perspective view of a clock radio according to my new design, illustrating a cloth grill in the rear top and side portions of the design;  
FIG. 2 is a front view of the design of FIG. 1;  
FIG. 3 is a rear view of the design of FIG. 1;  
FIG. 4 is a left side view of the design of FIG. 1;  
FIG. 5 is a right side view of the design of FIG. 1;  
FIG. 6 is a top view of the design of FIG. 1; and,  
FIG. 7 is a bottom view of the design of FIG. 1.  
The dash-dash broken lines, including USB ports, plugs, charging surfaces, and feet, illustrate environmental structure and form no part of the claimed design.  
Conventional reflection lines, contour lines and shading are illustrated for purposes of highlighting the solid-rendering, but form no part of the claimed design.

**1 Claim, 7 Drawing Sheets**



(56)

**References Cited**

U.S. PATENT DOCUMENTS

D676,412 S \* 2/2013 Holzer ..... D14/171  
D676,413 S \* 2/2013 Poandl ..... D14/171  
D694,653 S \* 12/2013 Hsu ..... D10/15  
D700,528 S \* 3/2014 Joseph ..... D10/15  
D704,076 S \* 5/2014 Poandl ..... D10/15  
D726,143 S \* 4/2015 Cheng ..... D14/197  
D731,998 S \* 6/2015 Holzer ..... D14/171  
D773,429 S \* 12/2016 Holzer ..... D14/171  
D779,341 S \* 2/2017 Poandl ..... D10/2

OTHER PUBLICATIONS

Phillips AJ3270D | posted at amazon.com Apr. 2011 © 1996-2018, Amazon.com, Inc. [online][site visited Jan. 22, 2018]. Available from Internet: <<https://www.amazon.com/Philips-AJ3270D-Speaker-Discontinued-Manufacturer/dp/B004M8SU1C>> (Year: 2011).\*

\* cited by examiner

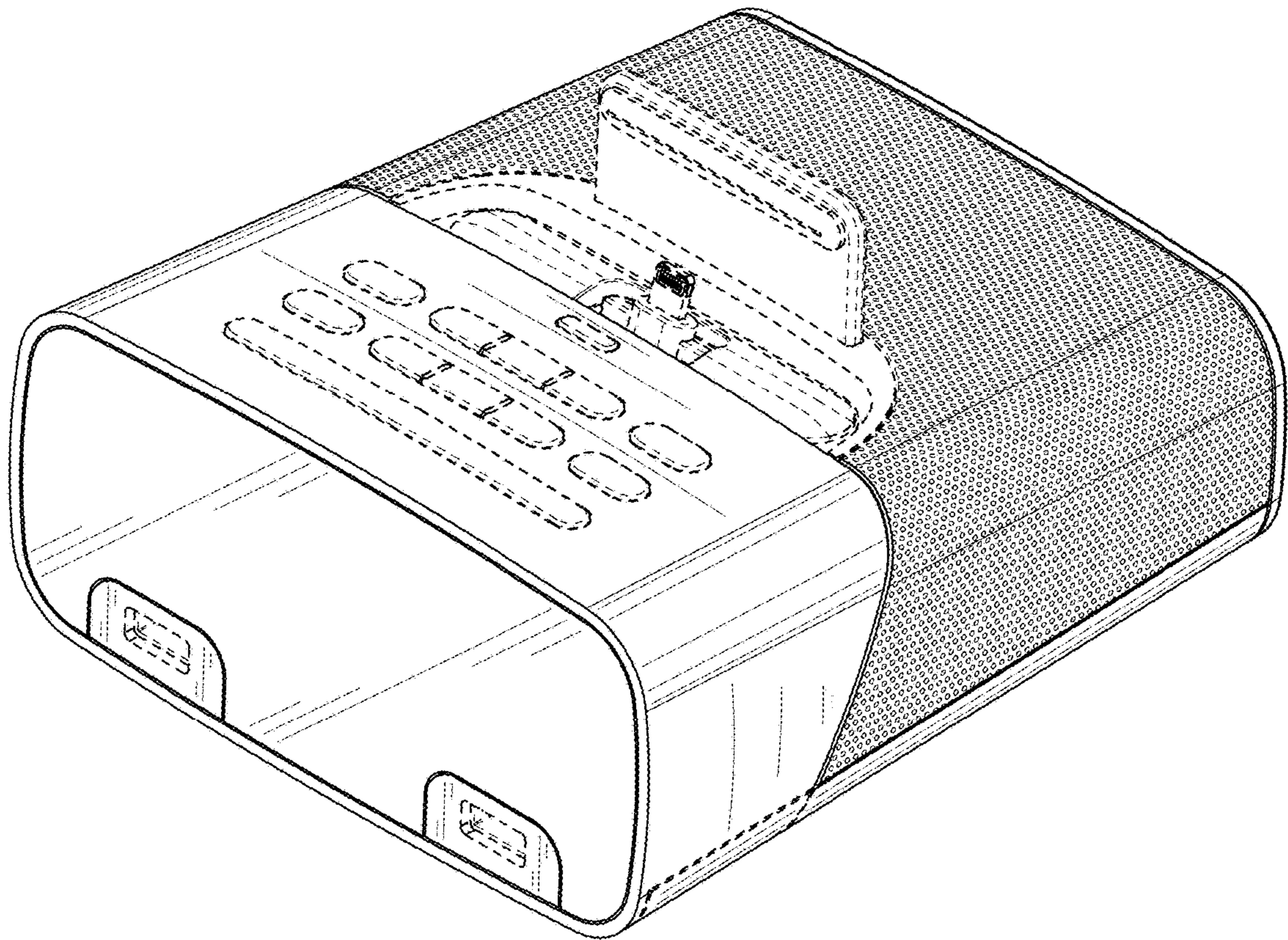


FIG. 1

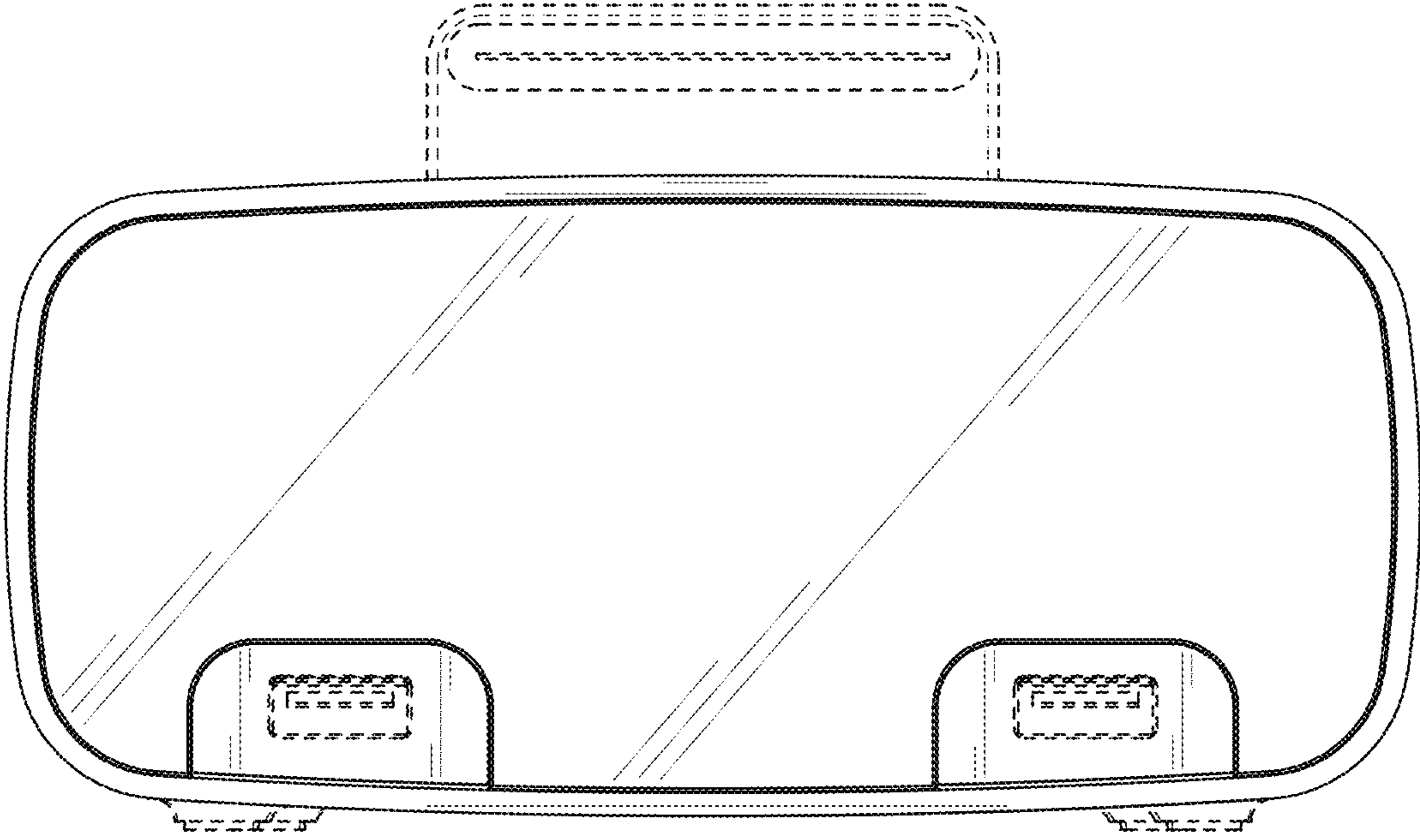


FIG. 2

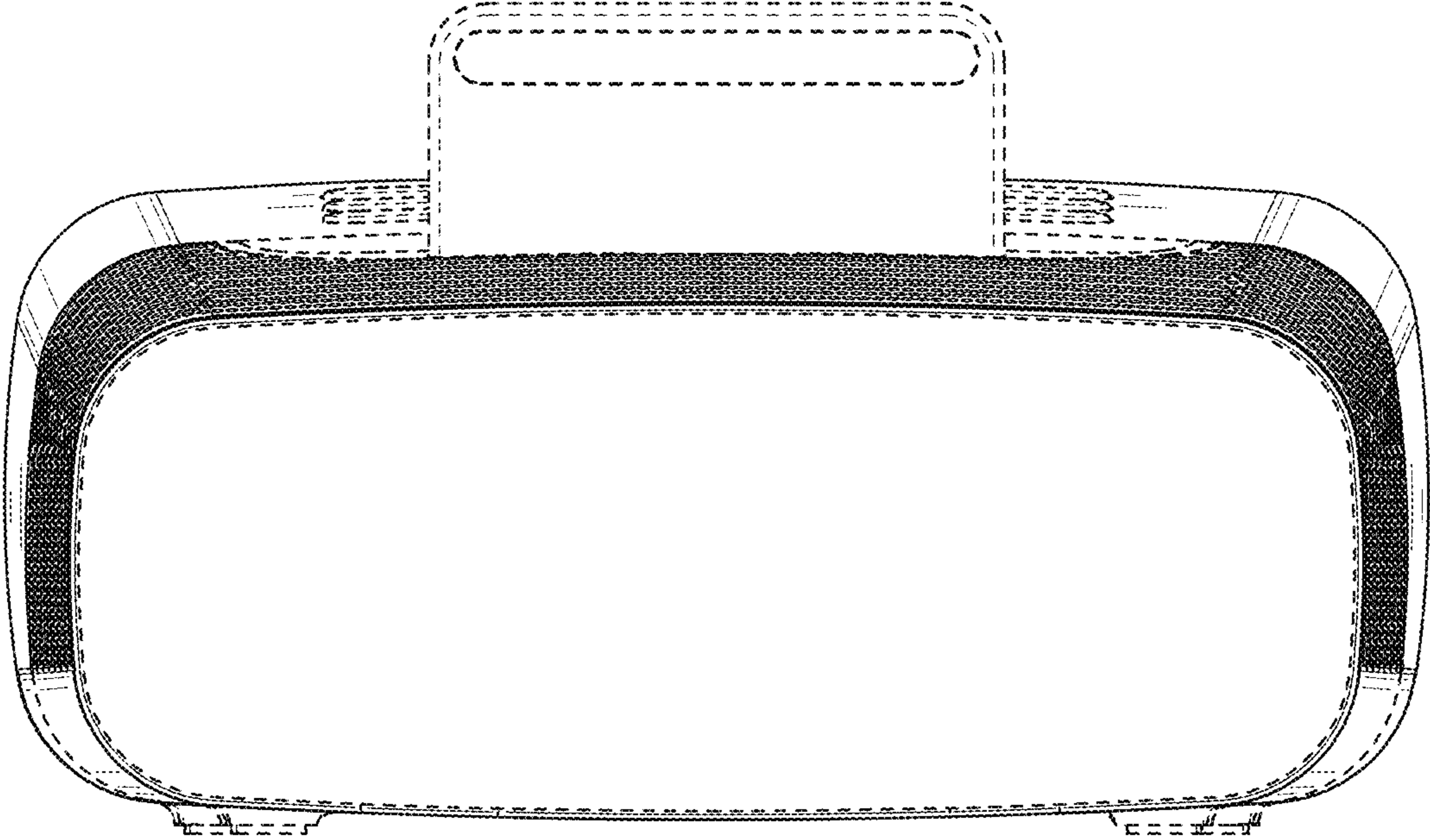


FIG. 3

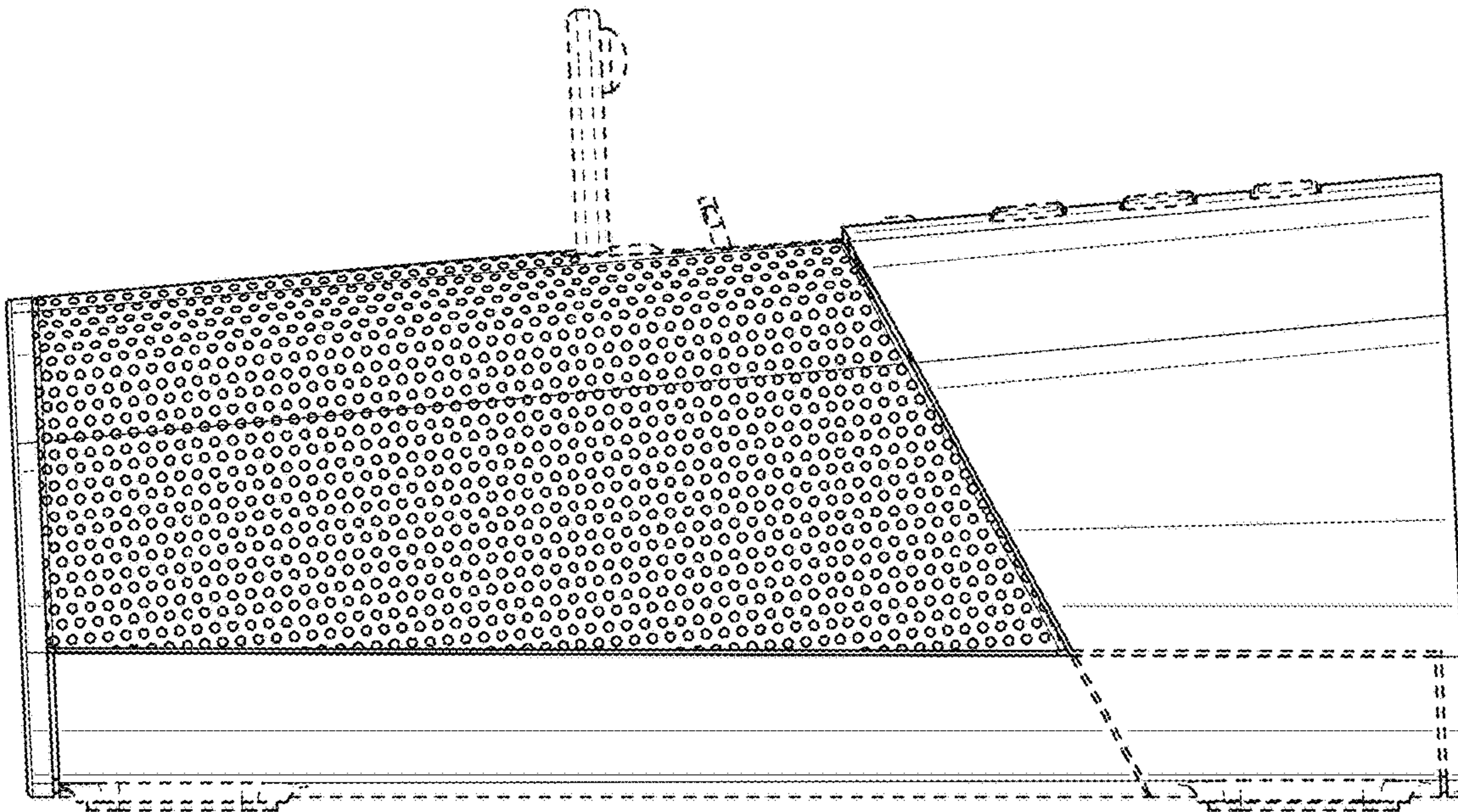


FIG. 4

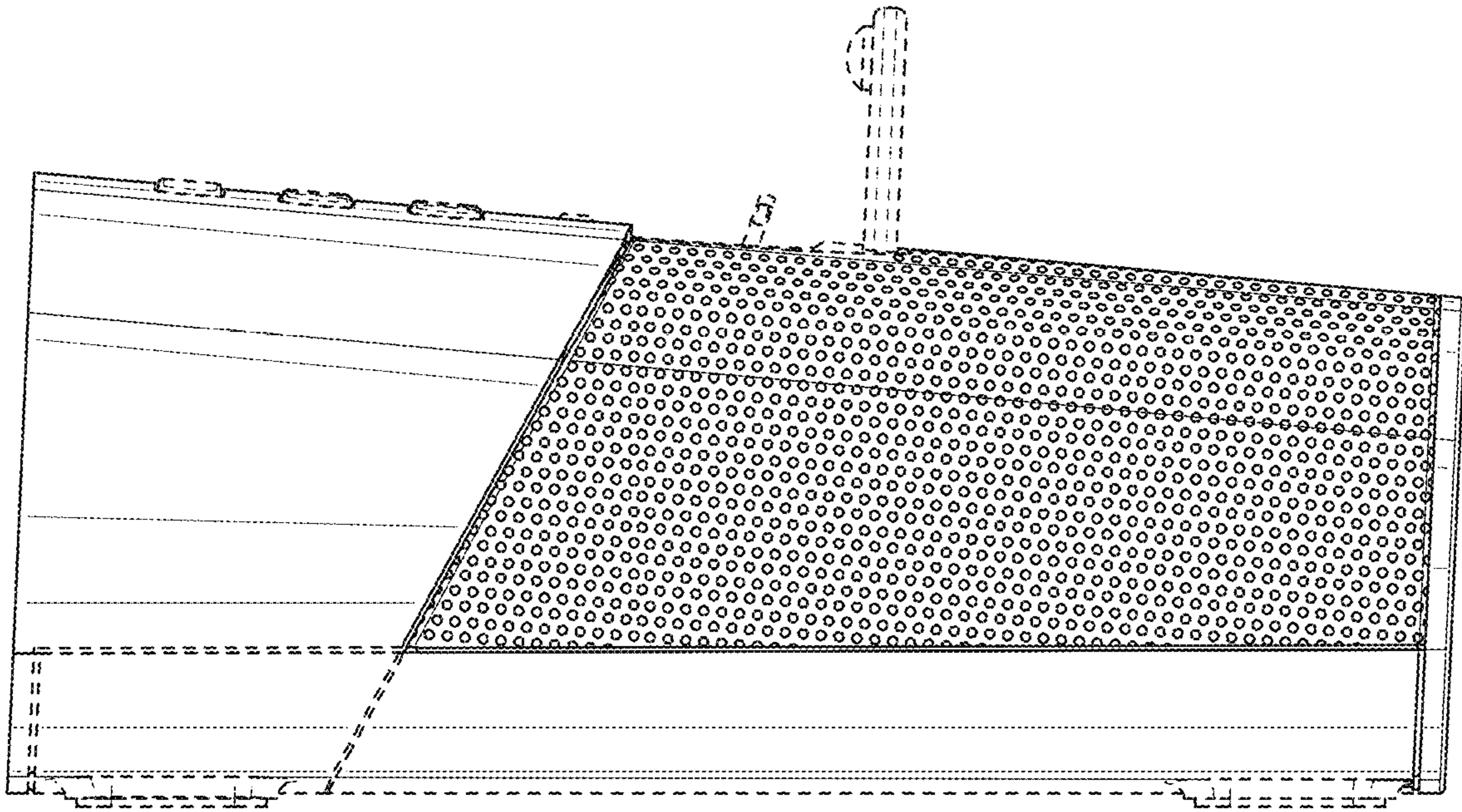


FIG. 5

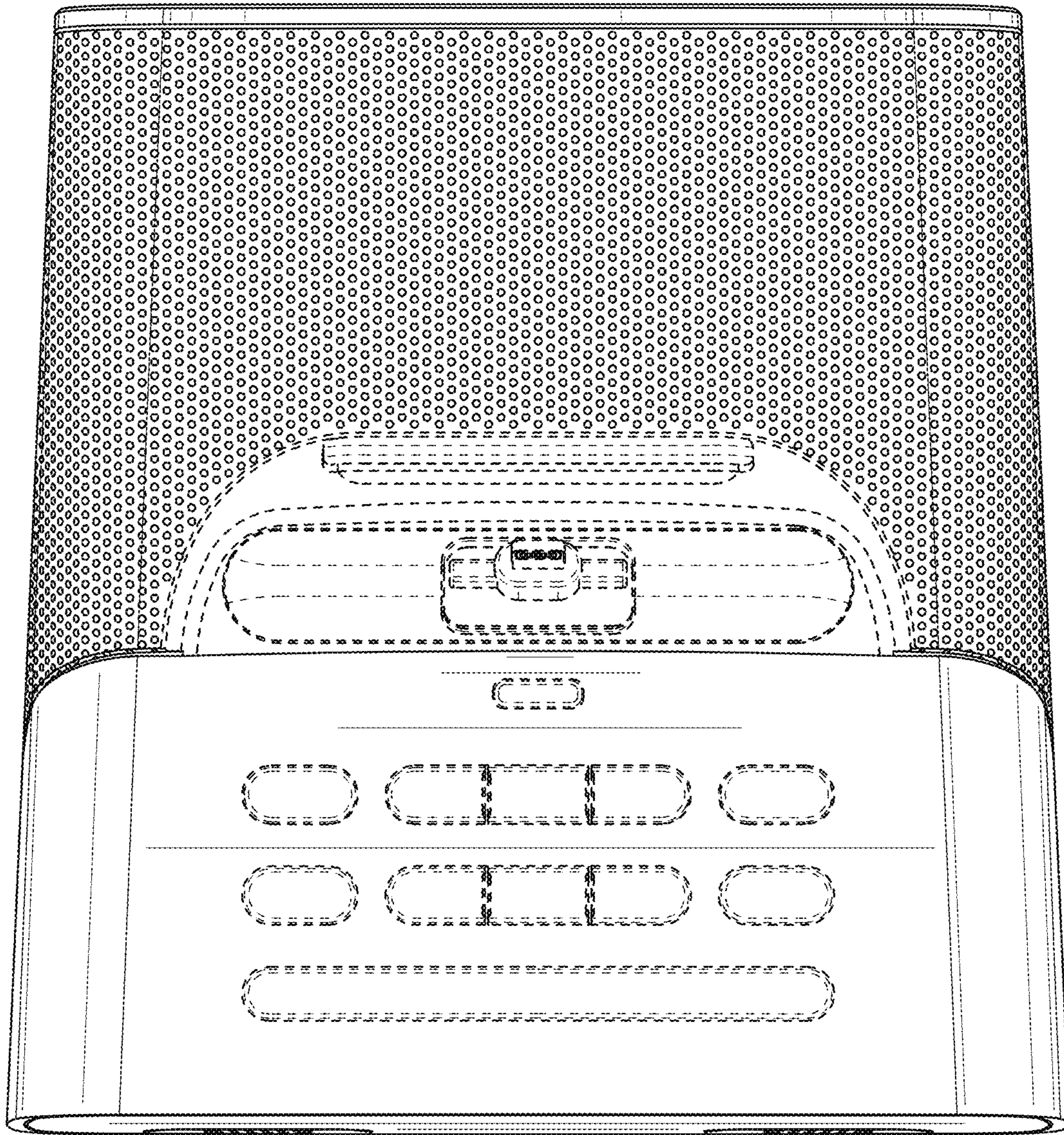


FIG. 6



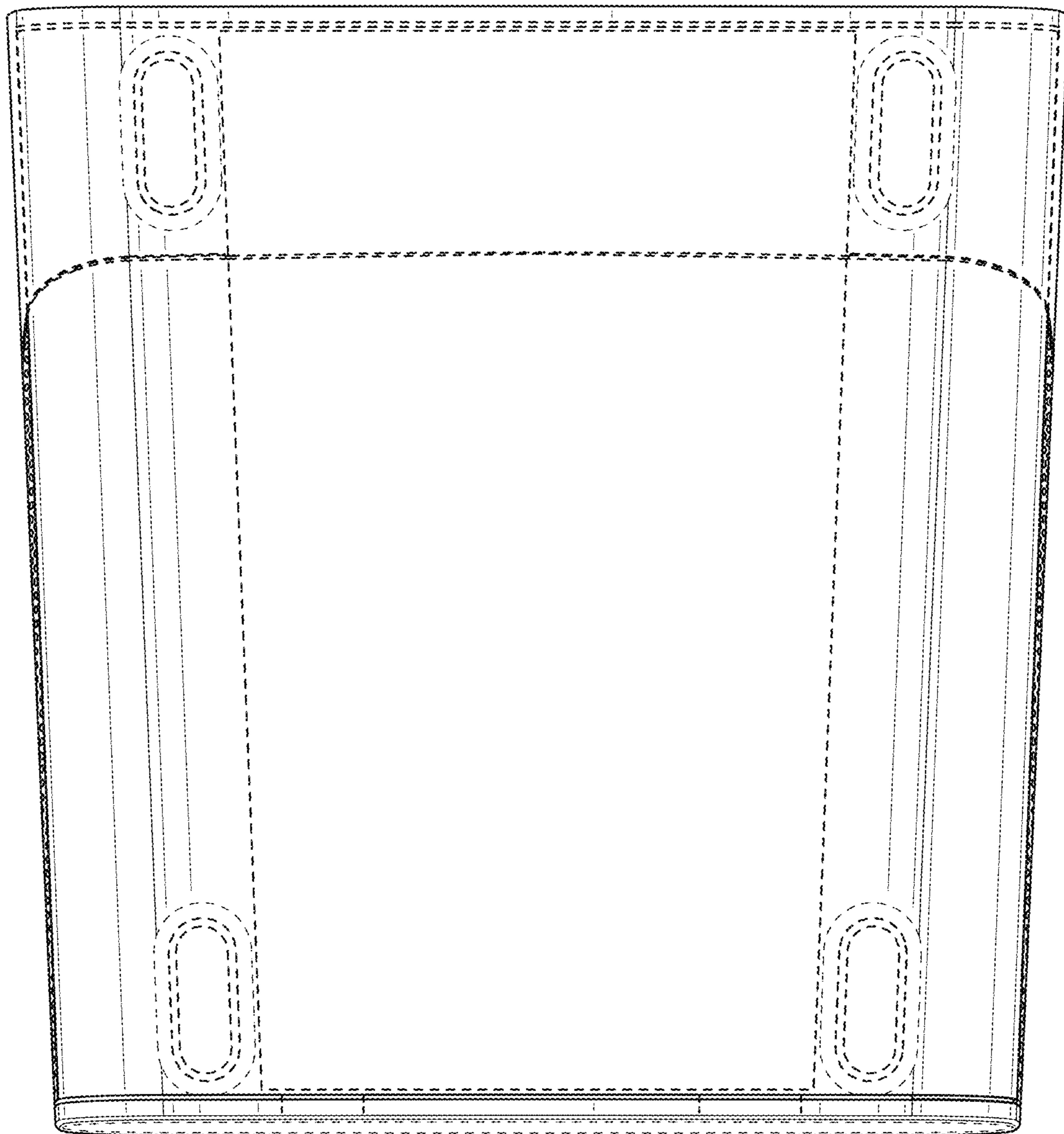


FIG. 7